



Upgrades

Power Macintosh G3

All-In-One



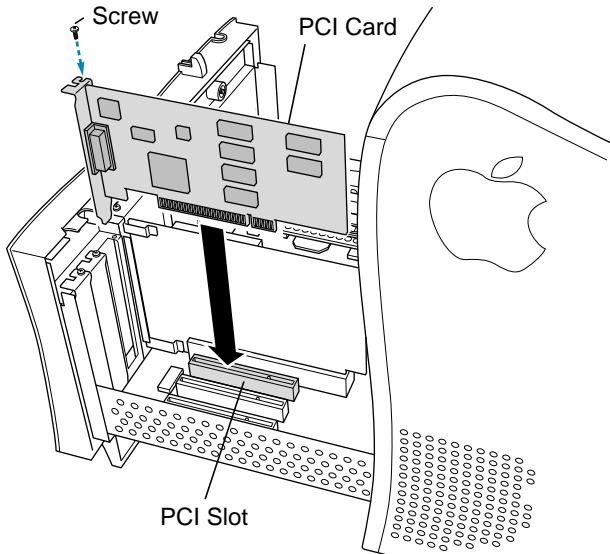


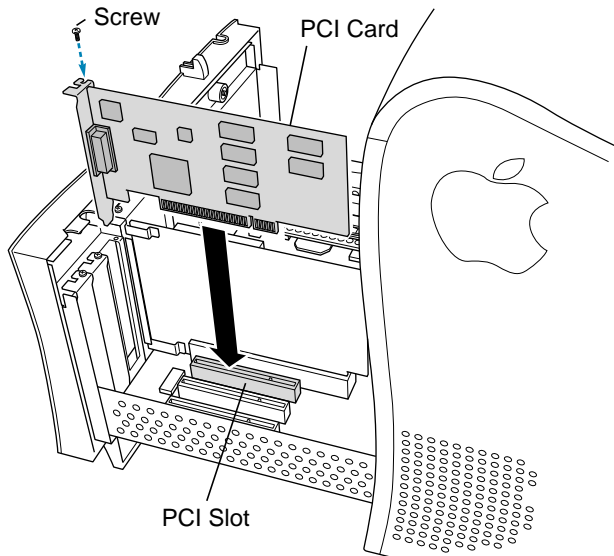
PCI or I/O Cards

Before you begin, remove the chassis carrier.

- 1 Remove the screw that holds the port access cover in place.
- 2 Remove the port access cover.

Note: If you remove all three port access covers, be sure the sheet metal shield remains under the edge of the logic board.





- 3 Align the card connector with the expansion slot and press straight down until the connector inserts all the way into the slot.

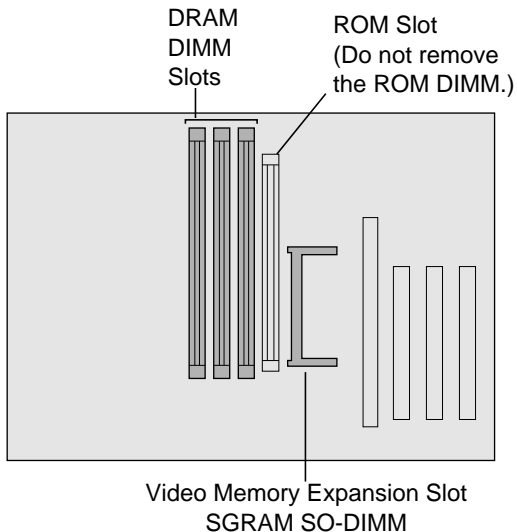




Memory—DRAM or VRAM

Before you begin, remove the

- Chassis carrier
- Cable clamp support bracket

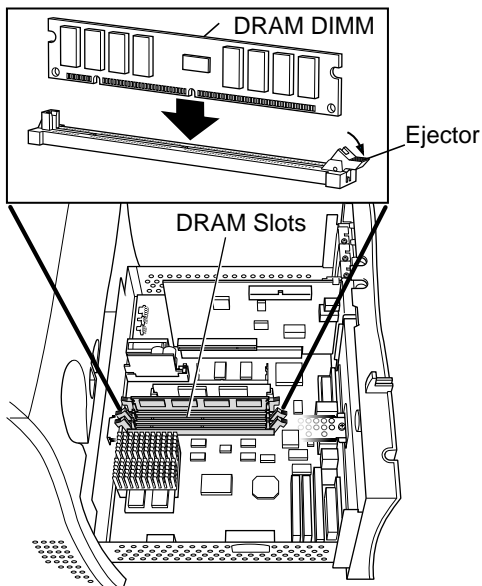


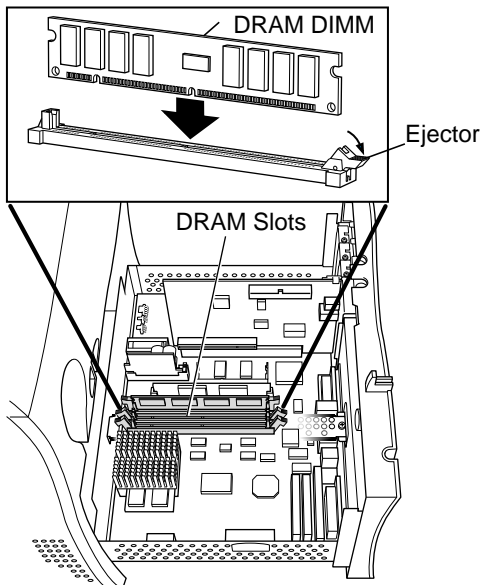


DRAM

Note: DIMM shape and components may vary.

- 1 To remove existing DRAM DIMMs to make room for new ones, push down on the ejectors.





- 2 Align DIMM notches with DRAM slot ribs.

Note: The DIMM is designed to fit in the slot only one way.

- 3 With ejectors open, press the DIMM into the slot.

Note: Slot may have one or two ejectors.

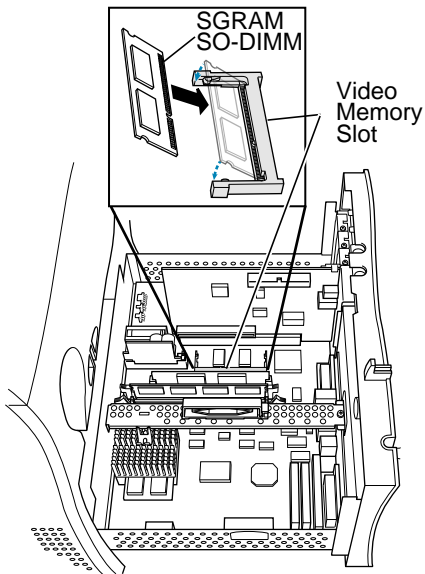


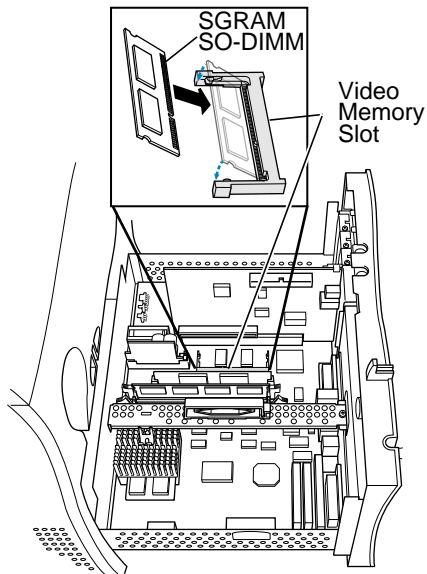


VRAM

Note: SGRAM DIMM shape and components may vary.

- 1 To remove existing SGRAM DIMM, spread arms of video memory slot apart slightly. The SGRAM DIMM will pop up.





- 2 Align SGRAM DIMM notches with VRAM slot ribs.

Note: SGRAM DIMM fits into slot only one way.

- 3 Press the SGRAM DIMM into the slot.

Note: SGRAM DIMM should be flat and parallel to the logic board.

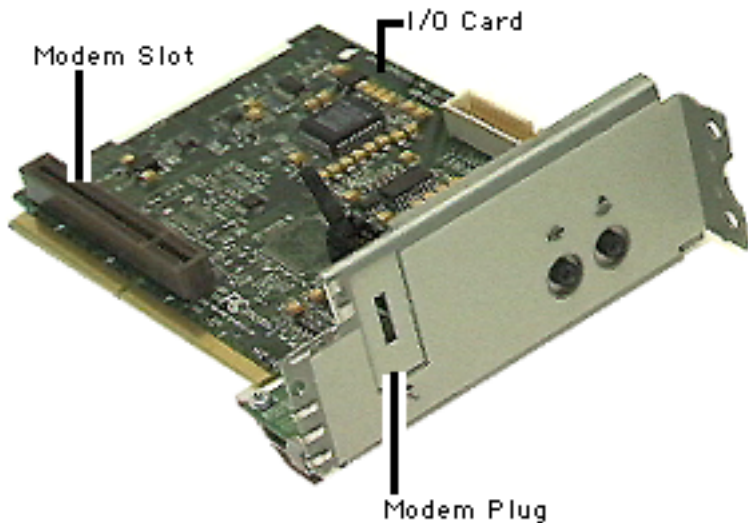




Modem Installation

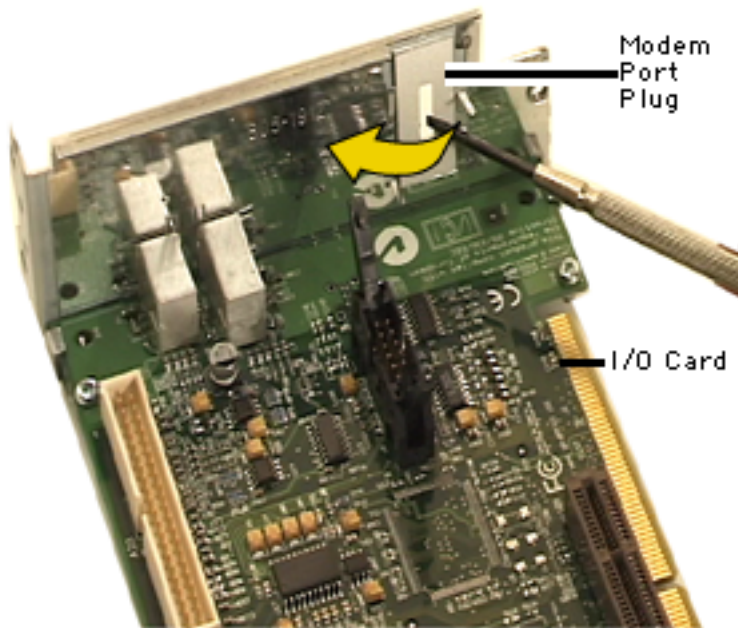
Before you begin, do the following:

- Remove the chassis carrier
- Remove the I/O card



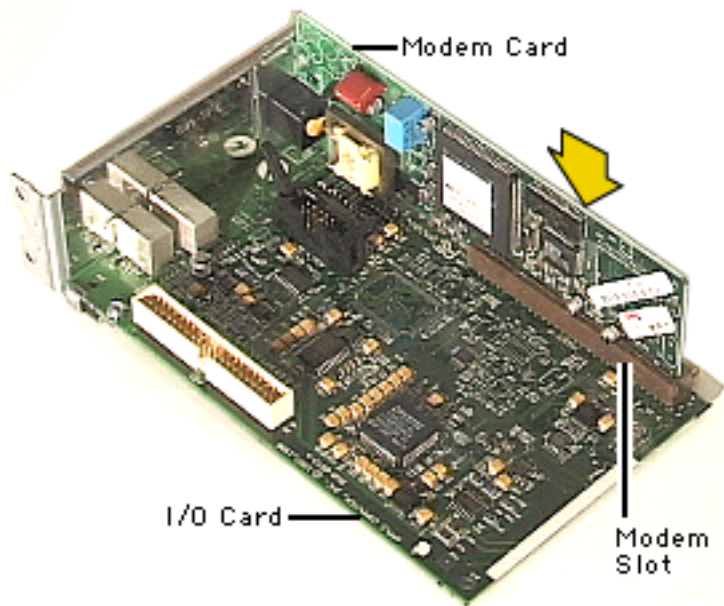


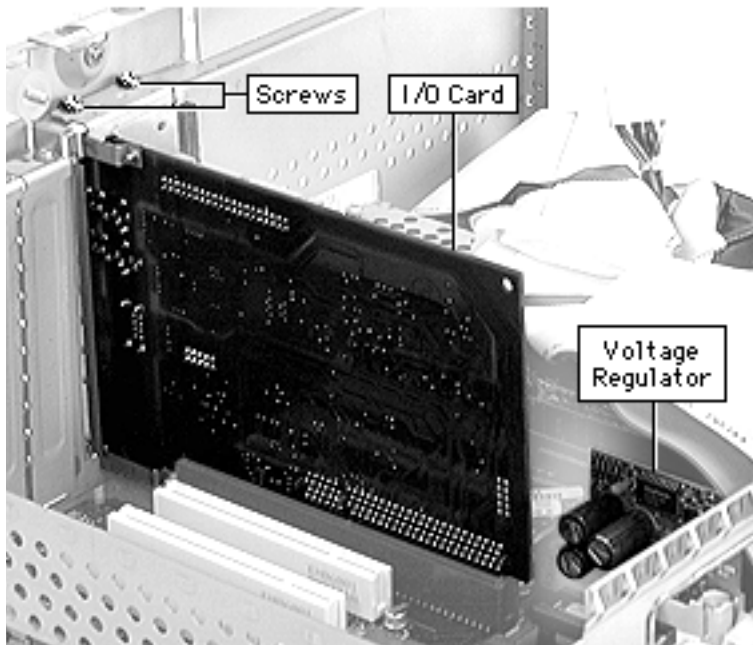
- 1 With a jewelers screwdriver, remove the modem port plug on the I/O card.





- 2 Align modem card with the modem slot. Push card firmly into the slot.





- 3 Reinstall the I/O card into the PERCH slot on the logic board. Be careful not to break the voltage regulator.
- 4 Connect the two cables on the I/O card.
- 5 Attach the two screws that secure the card to the chassis.





- 6 Push the chassis carrier into the unit.
- 7 Tighten the four screws on the back of the chassis carrier.

