



Upgrades

Power Macintosh G3 Desktop

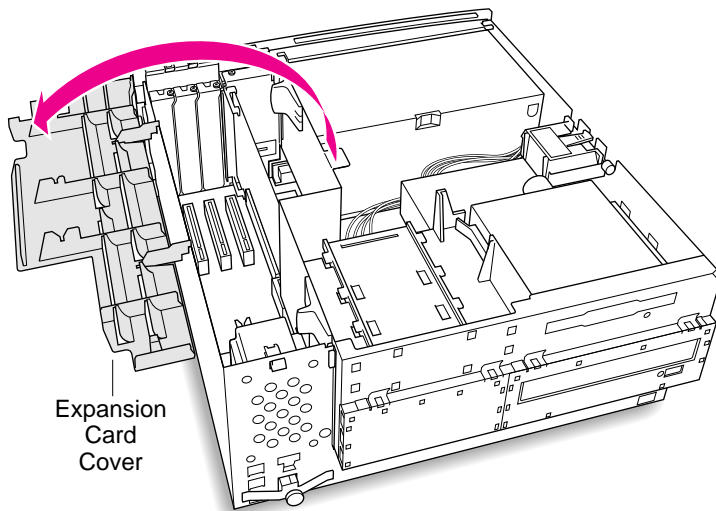


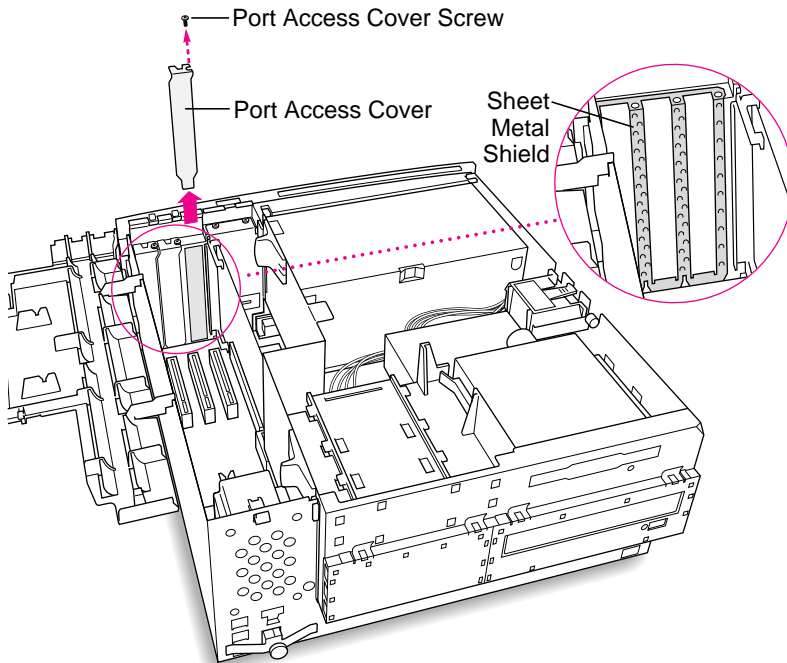


PCI or I/O Cards

Before you begin, remove the top housing.

- 1 Open the expansion card cover.

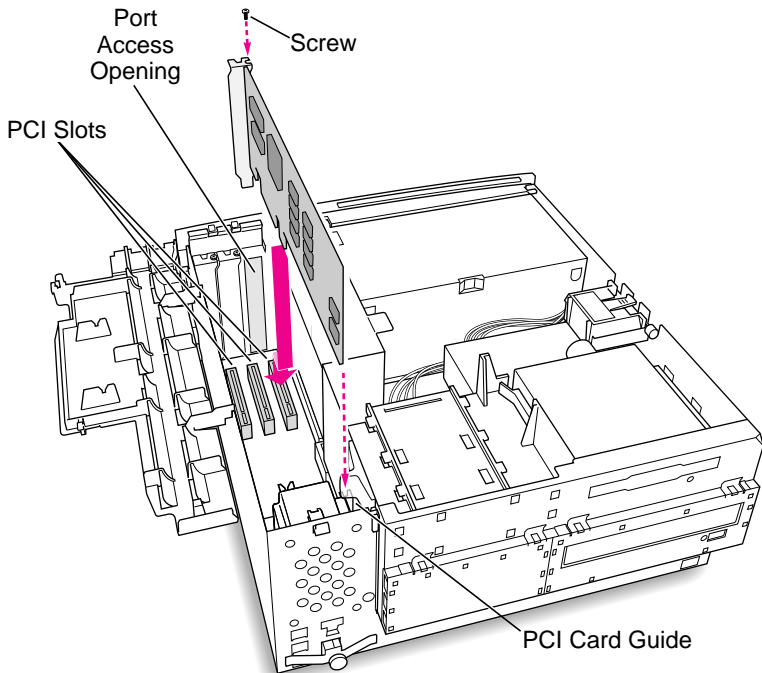




- 2 Remove the screw that holds the port access cover in place.
- 3 Pull out the access cover.

Note: If you remove all three port access covers, be sure the sheet metal shield remains under the edge of the logic board.



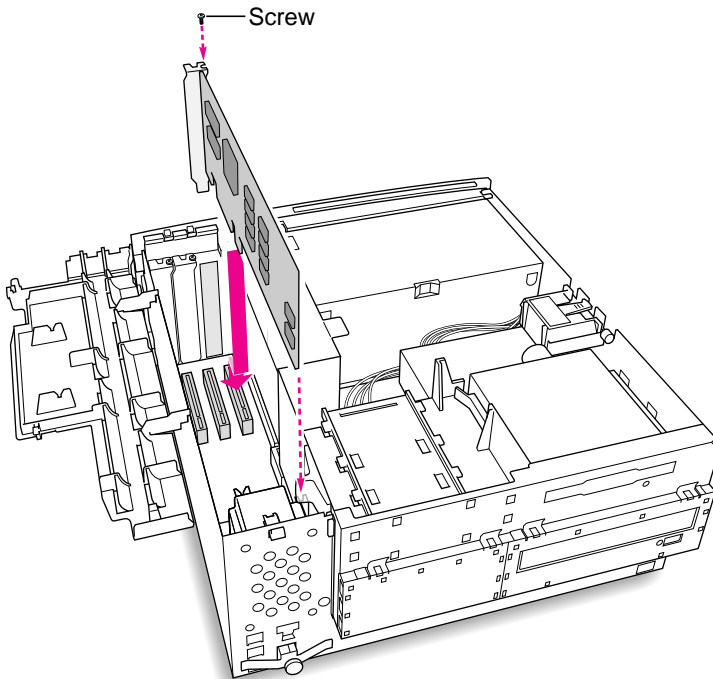


- 4 Align the card connector with the expansion slot and press straight down until the connector inserts all the way into the slot.

Note: It may be helpful to hold the card slightly away from the port access opening until the card fits into the slot.

Note: If the PCI card is a full 12 inches, be sure it fits into one of the three card guides at the front of the computer.



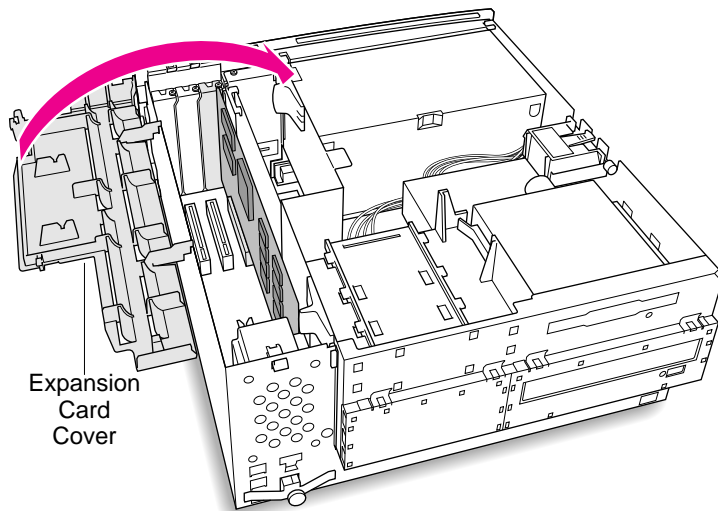


- 5 If you meet resistance, pull the card out and try again.
- 6 To test the connection, pull the card up gently. The card should remain firmly in place.
- 7 Reinstall the screw to secure the card in place.





- 8 Close the expansion card cover.



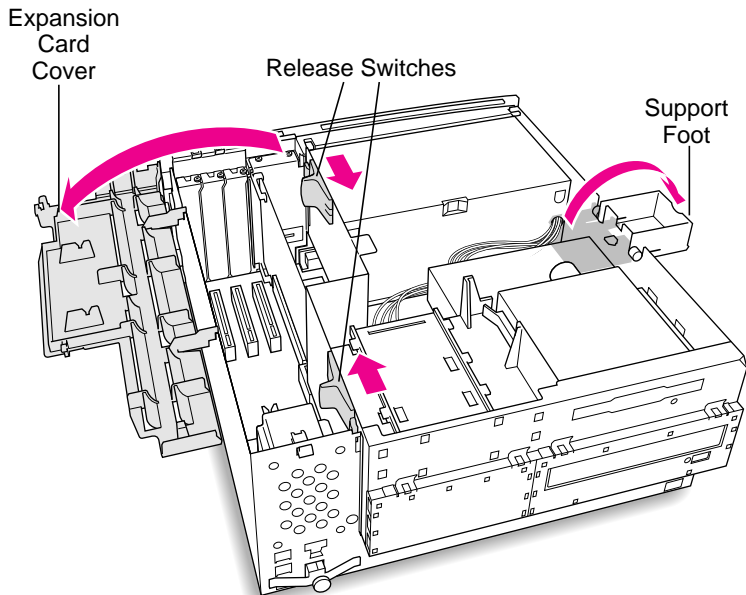


Memory—DRAM or VRAM

Open Chassis

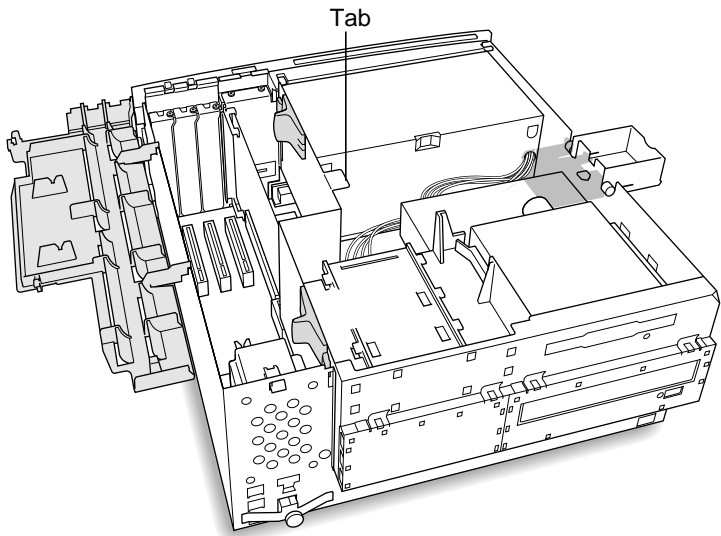
Before you begin, remove the top housing.

- 1 To unlock the chassis, move the release switches toward the inside of the computer.
- 2 Tip the support foot out until it snaps into the locked position.



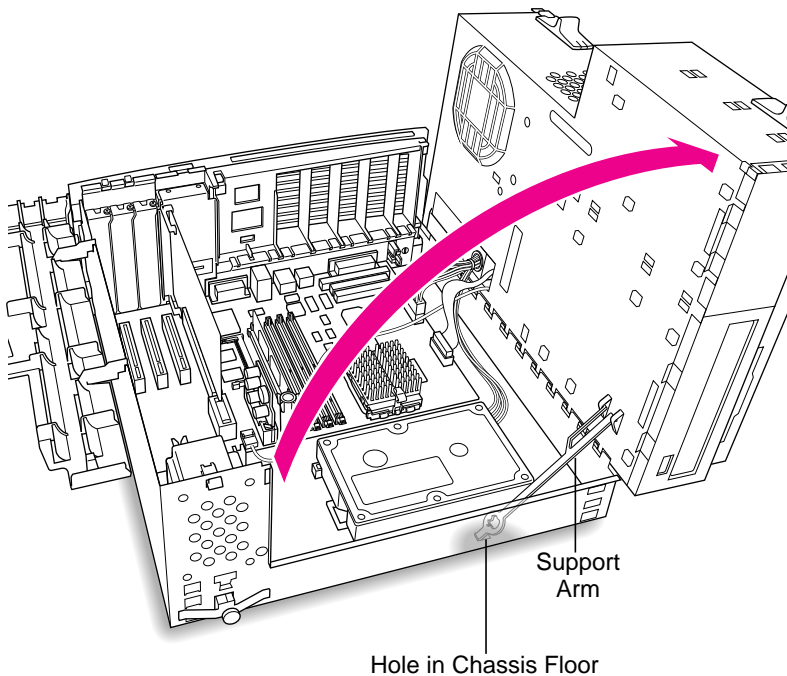


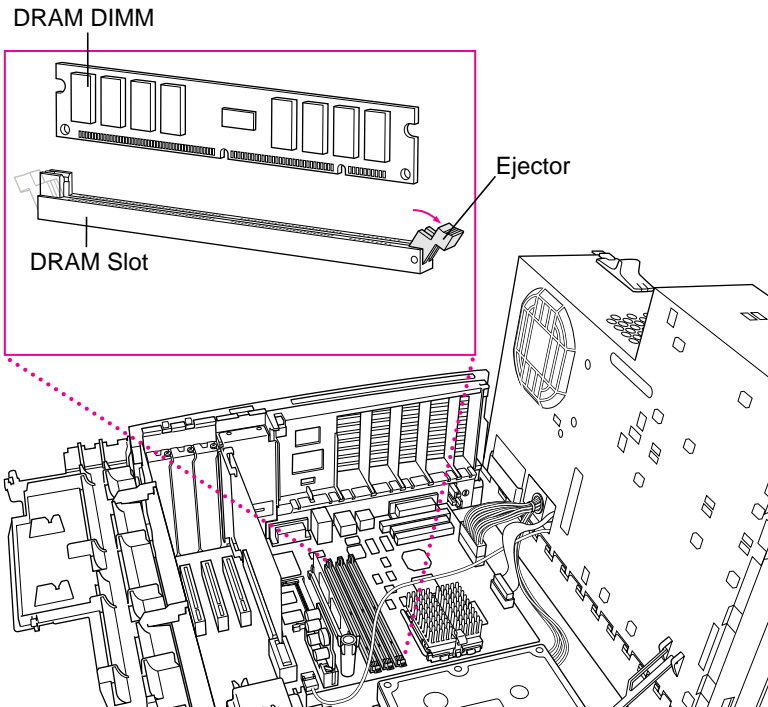
- 3 Lift up on the tab to open the chassis.





- 4 Swing the chassis up and insert the support arm in the hole.



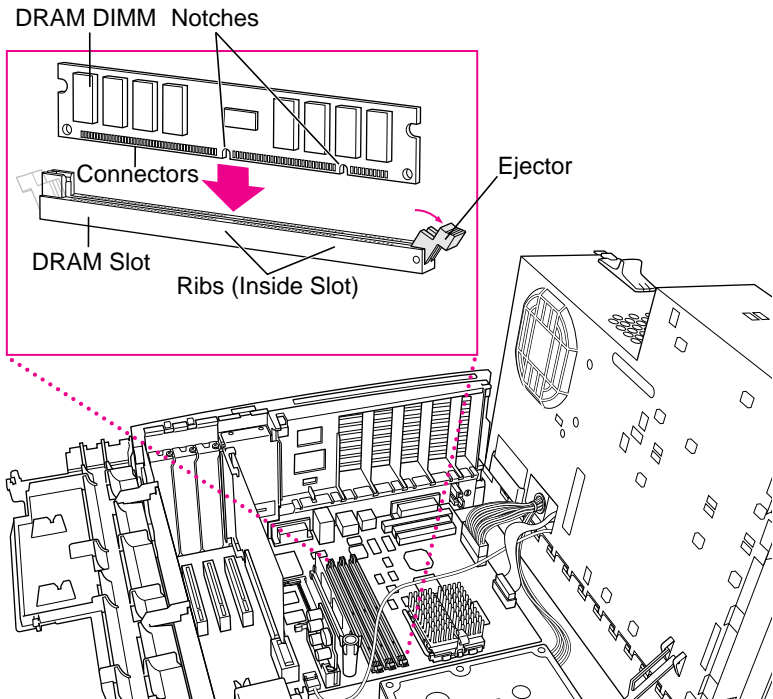


DRAM

Note: DIMM shape and components may vary.

- 1 To remove existing DRAM DIMMs to make room for new ones, push down on the ejectors.





- 2 Align DIMM notches with DRAM slot ribs.

Note: The DIMM is designed to fit in the slot only one way.

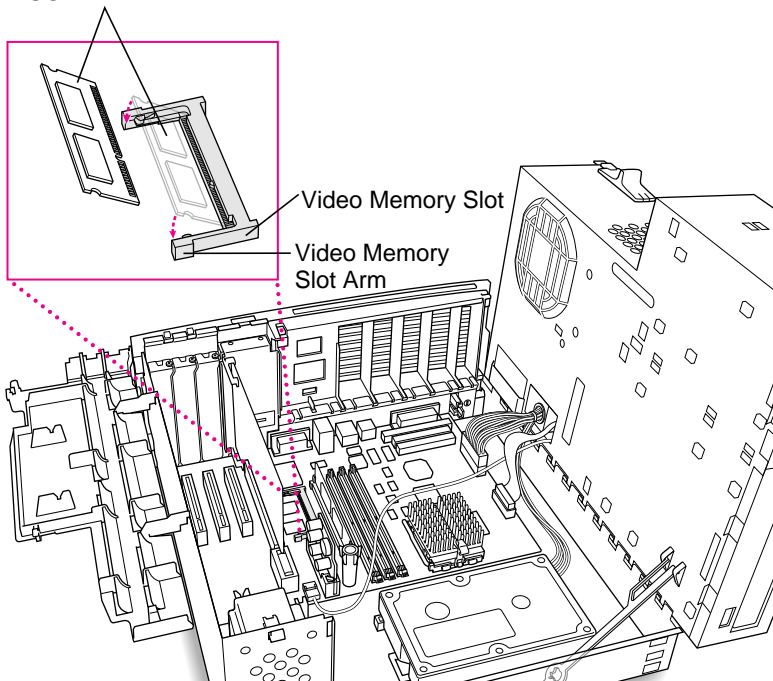
- 3 With ejectors open, press the DIMM into the slot.

Note: Slot may have one or two ejectors.





SGRAM DIMM

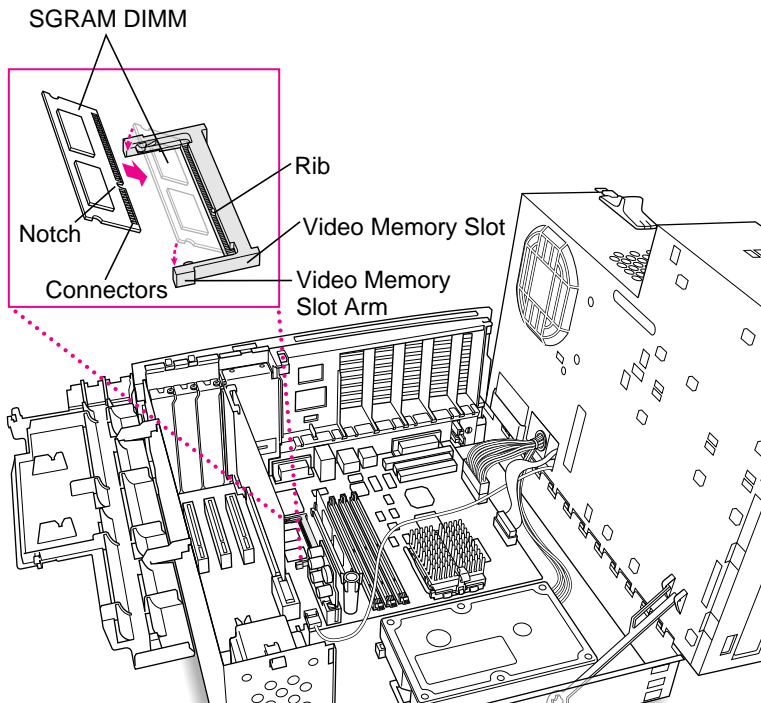


VRAM

Note: SGRAM DIMM shape and components may vary.

- 1 To remove existing SGRAM DIMM, spread arms of video memory slot apart slightly. The SGRAM DIMM will pop up.





2 Align SGRAM DIMM notches with VRAM slot ribs.

Note: SGRAM DIMM fits into slot only one way.

3 Press the SGRAM DIMM into the slot.

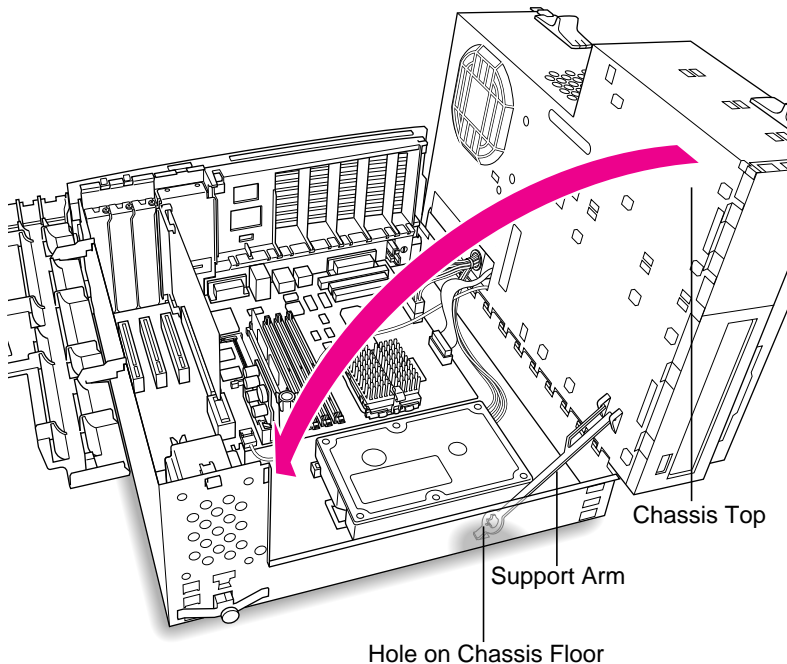
Note: SGRAM DIMM should be flat and parallel to the logic board.

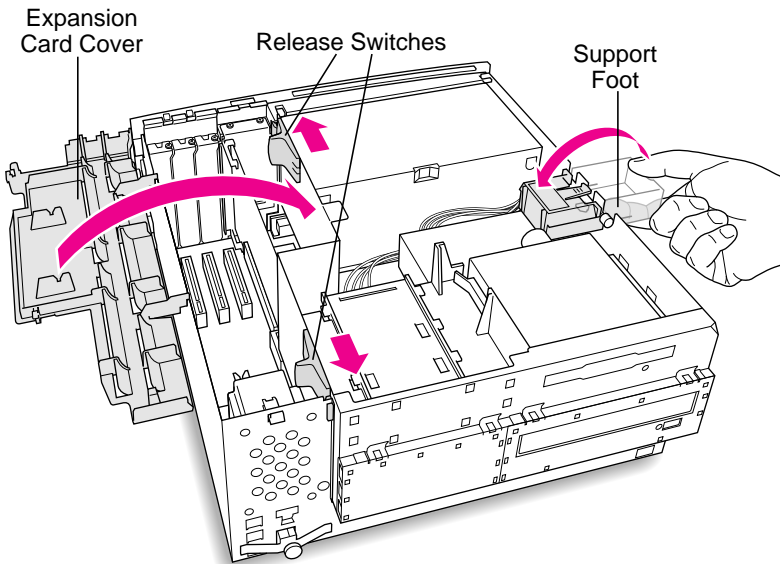




Close Chassis

- 1 Lift up the chassis support arm from the hole on the chassis floor and gently swing the chassis back into place.





- 2 Close expansion card cover.
- 3 Press the release switches toward the outside of the computer.
- 4 Swing the support foot back inside the computer housing.

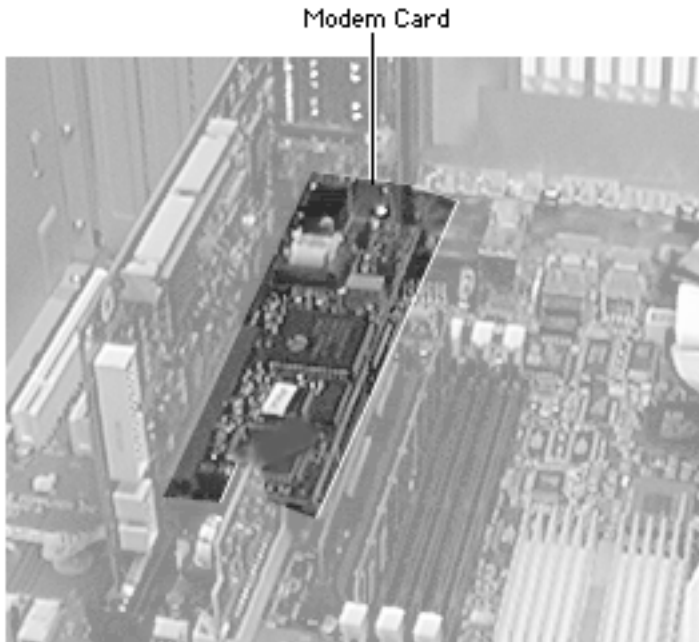


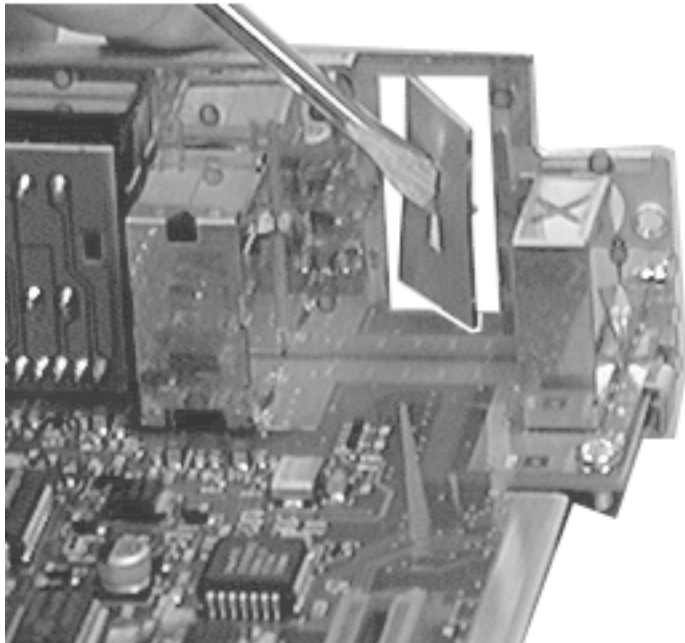


Modem Card

Before you begin, do the following:

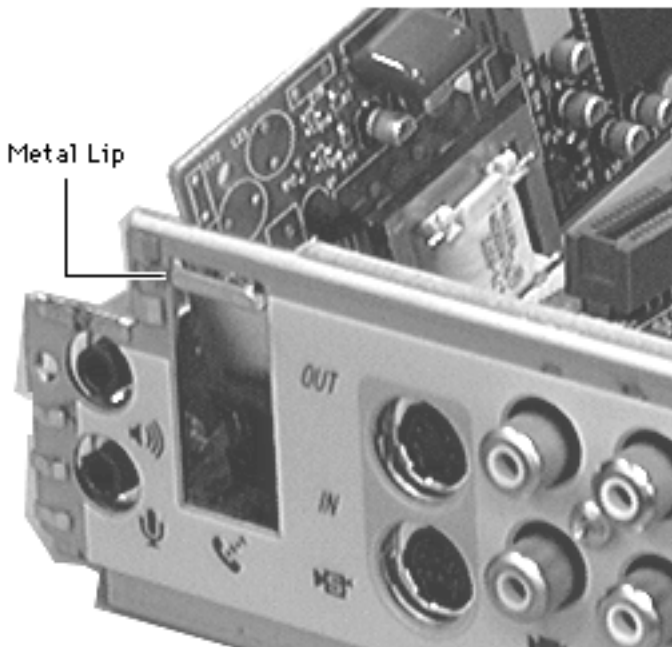
- Remove the top housing
- Open the internal chassis
- Remove the I/O Card





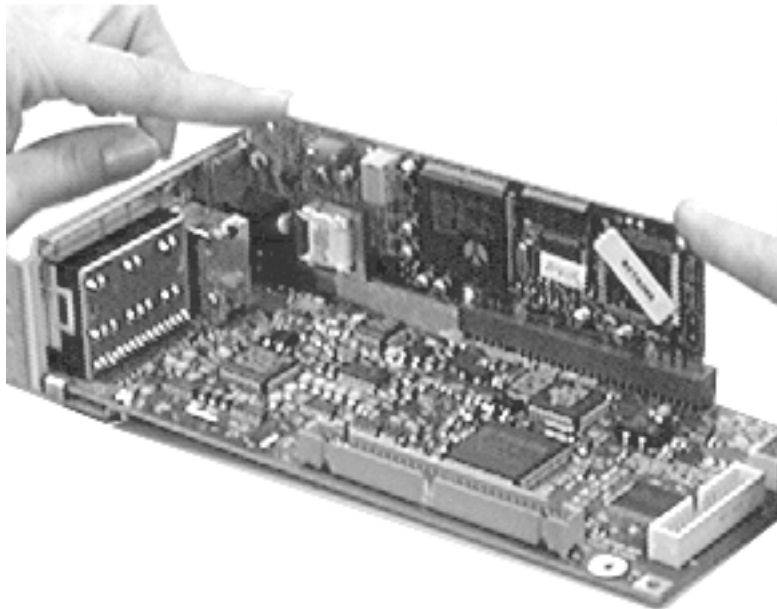
- 1 Insert a small flatblade screwdriver in the modem slot cover on the I/O card.
- 2 Gently twist the screwdriver to pop out the metal modem slot cover.





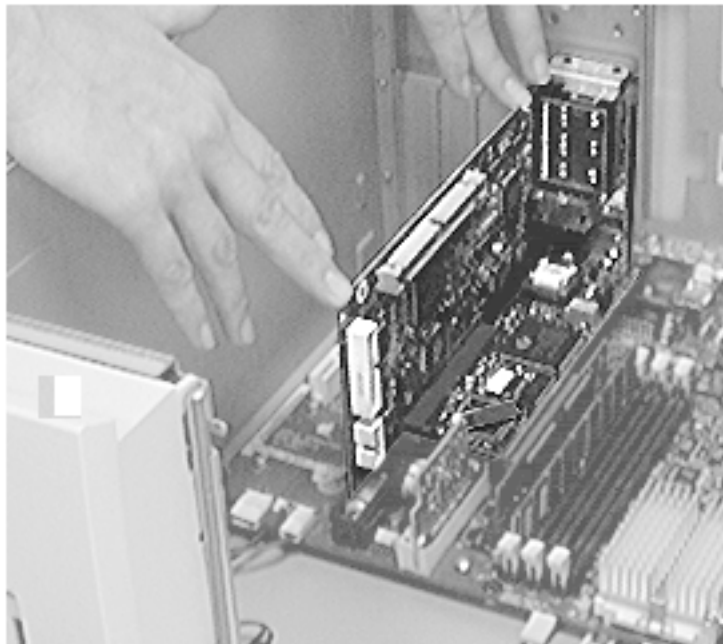
- 3 Holding the modem card at a slight angle to the I/O card, insert the metal lip on the modem card's connector panel through the opening in the I/O card.





- 4 Gently swing down the modem card so that it is aligned on top of the modem card slot on the I/O card.
- 5 Gently press down evenly on the modem card to install it. Be sure the card is properly seated.





- 6 Reinstall the I/O card in the computer. Be sure to insert the three screws that secure the I/O card to the metal chassis.

