



Upgrades

Macintosh



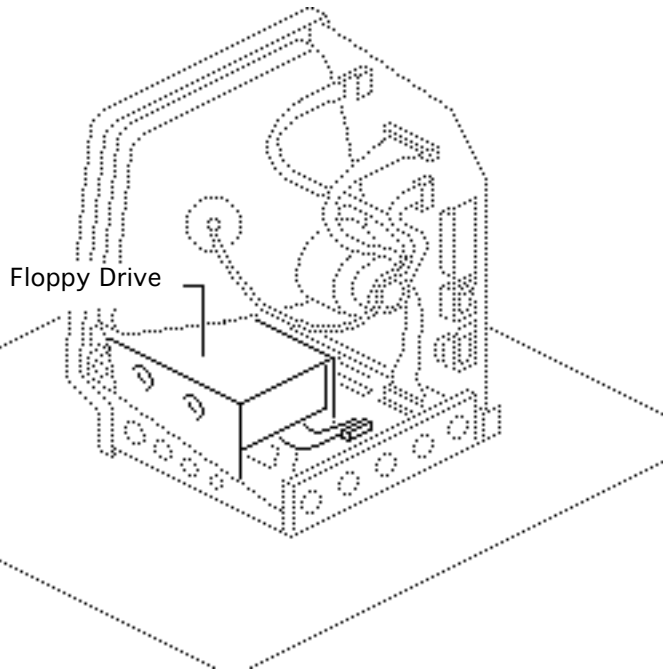


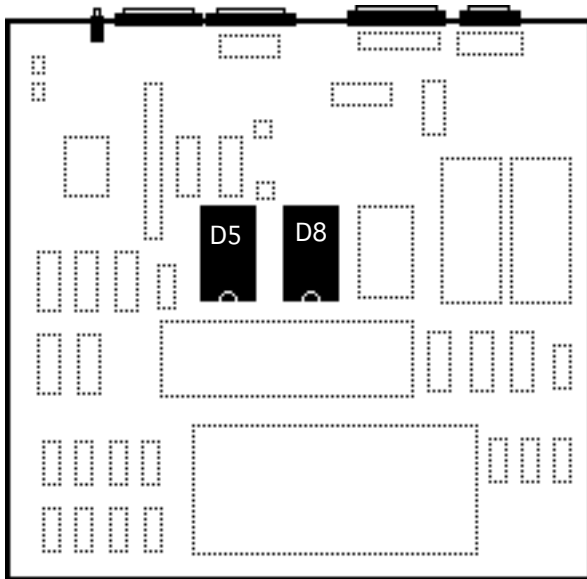
Floppy Drive Upgrade Kit

Before you begin,

- Remove the cover
- Discharge the CRT
- Remove the logic board

⚠ Warning: This product contains high voltage and a high-vacuum picture tube. To prevent serious personal injury or equipment damage, review CRT safety and discharge instructions in Bulletins/Safety.

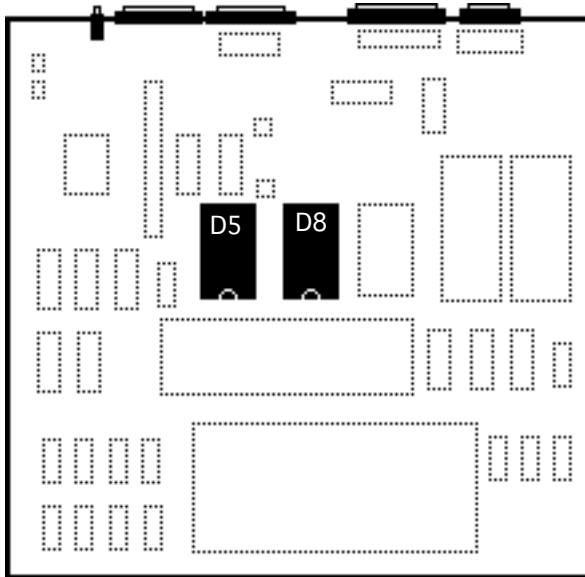




⚠ Warning: Never use a grounding wriststrap until after discharging the CRT.

Note: This kit replaces the 400K floppy drive on a 512K Macintosh with an 800K floppy drive. The kit contains the new drive and two new ROMs for the logic board. The new ROMs support both the 400K and the 800K drives. This upgrade is not recommended for the 128K Macintosh.





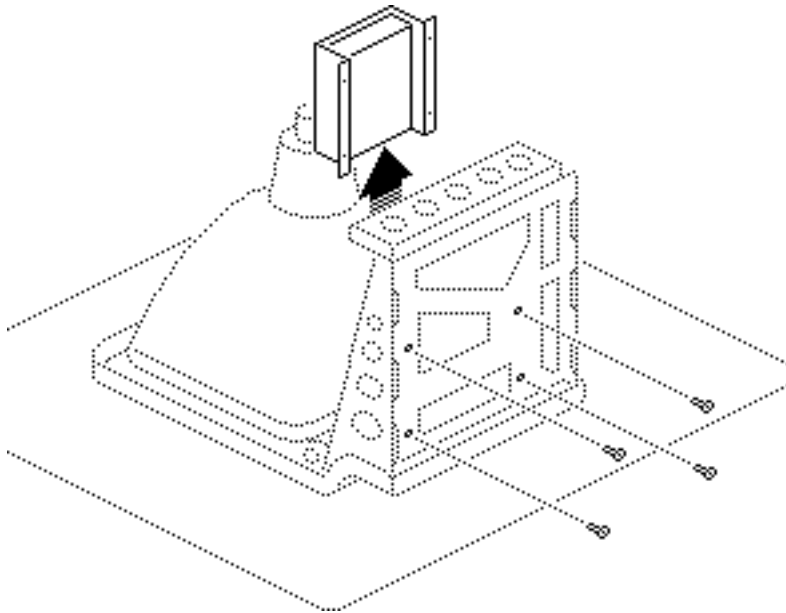
- 1 Using an IC extractor, remove the old ROMs from locations D5 and D8.
- 2 Install the two new ROMs as follows:
 - ROM HI at location D5
 - ROM LOW at location D8

Note: Be sure that the notched ends of the ROMs face the front of the computer.



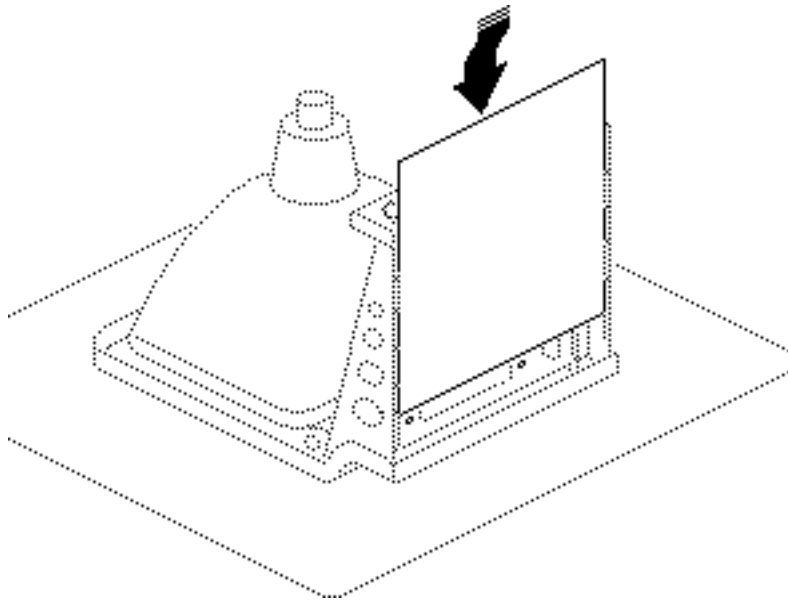


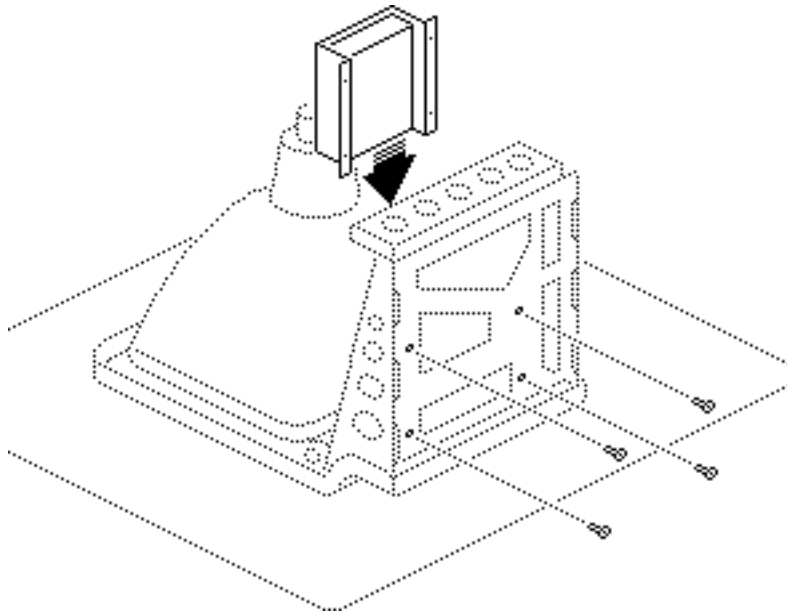
- 3 Remove the floppy drive. Refer to “Floppy Drive” in the Take Apart chapter.





- 4 Reinstall the logic board.
See “Logic Board” in
the Take Apart chapter.





- 5 Install the new 800K floppy drive. See “Floppy Drive” in the Take Apart chapter.
- 6 Return the old ROMs and the 400K drive to Apple (refer to the instructions in the kit).



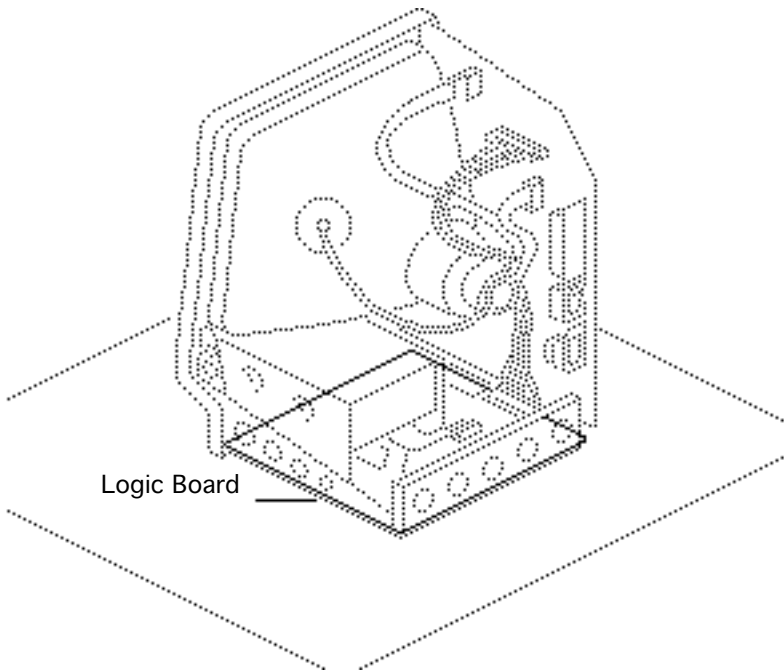


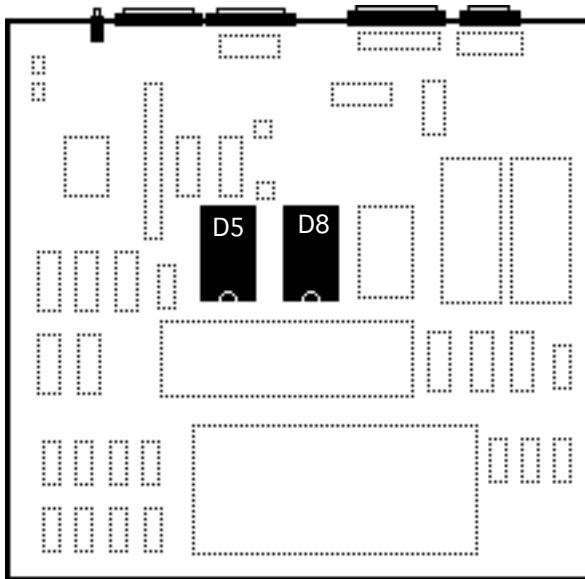
Logic Board Upgrade Kit

Before you begin,

- Remove the cover
- Discharge the CRT
- Remove the logic board

⚠ Warning: This product contains high voltage and a high-vacuum picture tube. To prevent serious personal injury or equipment damage, review CRT safety and discharge instructions in Bulletins/Safety.

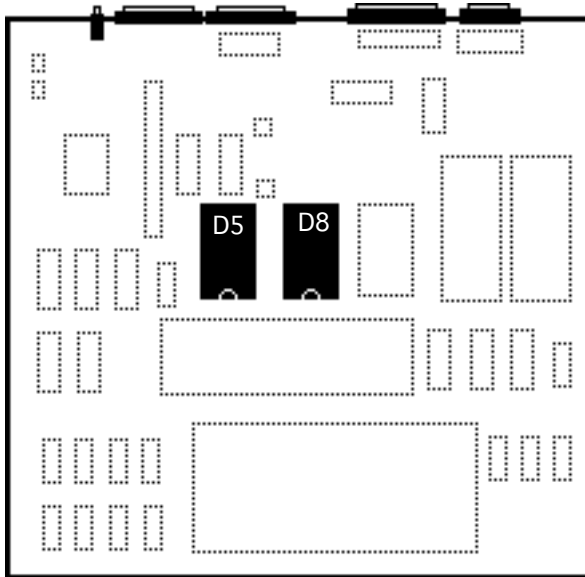




⚠ Warning: Never use a grounding wriststrap until after discharging the CRT.

Note: This kit cannot be installed unless the Floppy Drive Upgrade Kit has been installed. The Logic Board Upgrade Kit upgrades the logic board of a 512K Mac to a Mac Plus. The kit contains a new logic board with 1 MB of RAM, an RFI shield, and a new rear cover.

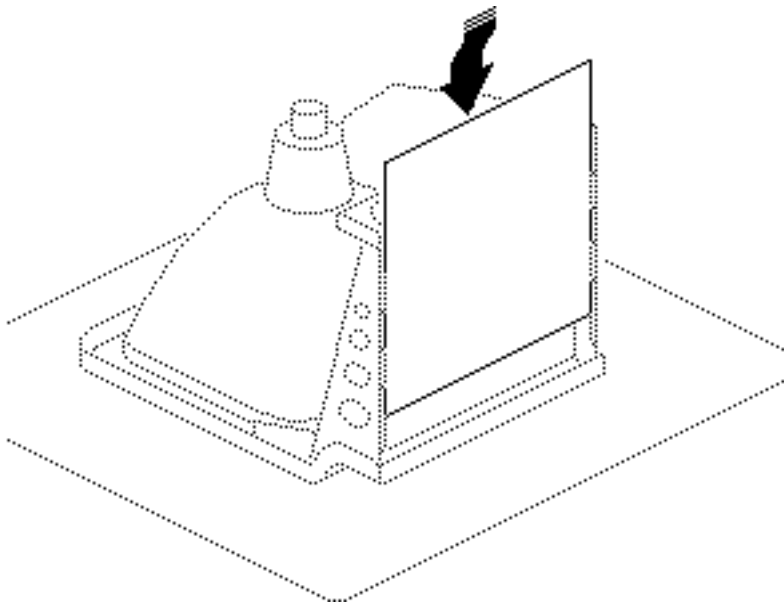




- 1 Using an IC extractor, remove the ROMs from locations D5 and D8 on the 512K logic board.
- 2 Install the two ROMs in the new logic board:
 - ROM HI at location D5
 - ROM LOW at location D8

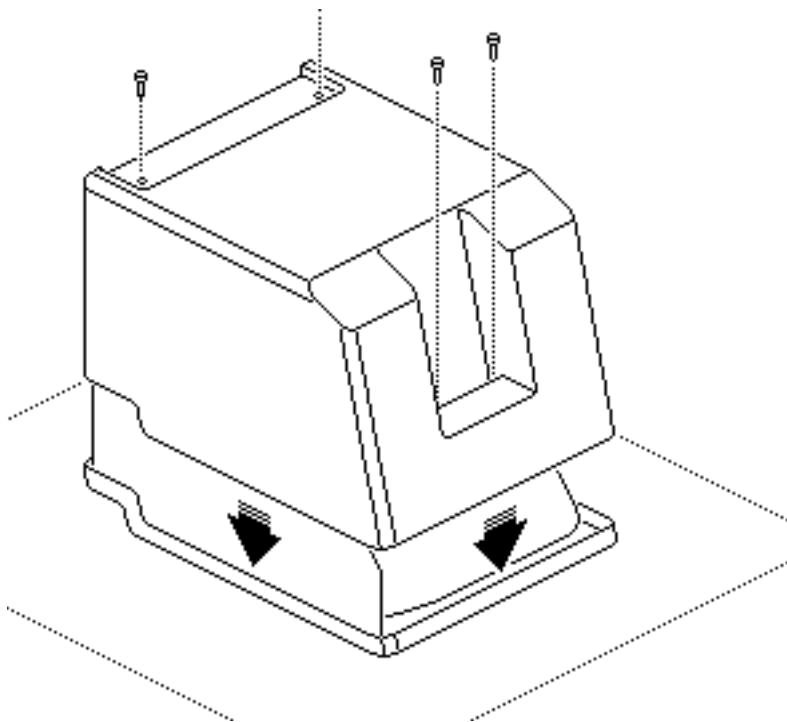
Note: Be sure that the notched ends of the ROMs face the front of the computer.





- 3 Install the new logic board in the computer. See “Logic Board” in the Take Apart chapter.





- 4 Install the new RFI shield.
- 5 Install the new cover. See “Cover” in the Take Apart chapter.
- 6 Return the old logic board, old RFI shield, and old cover to Apple.



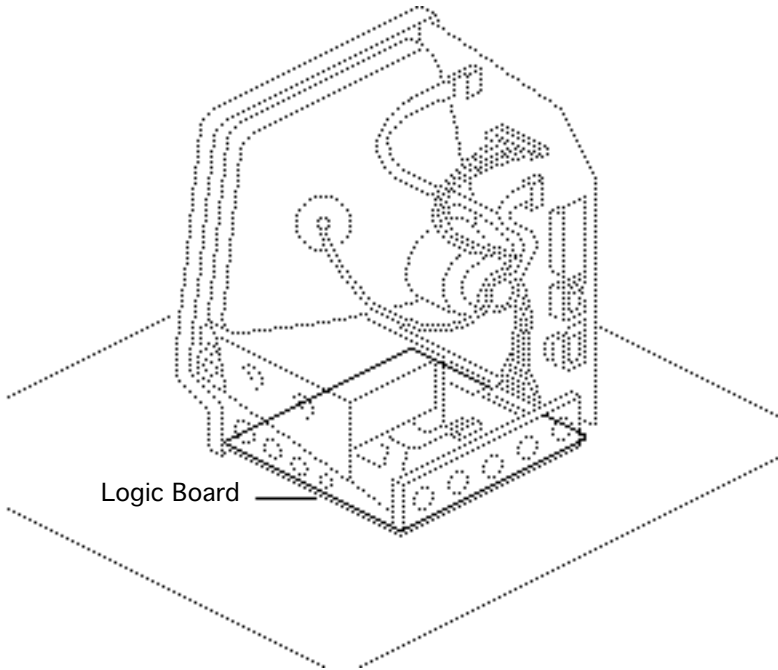


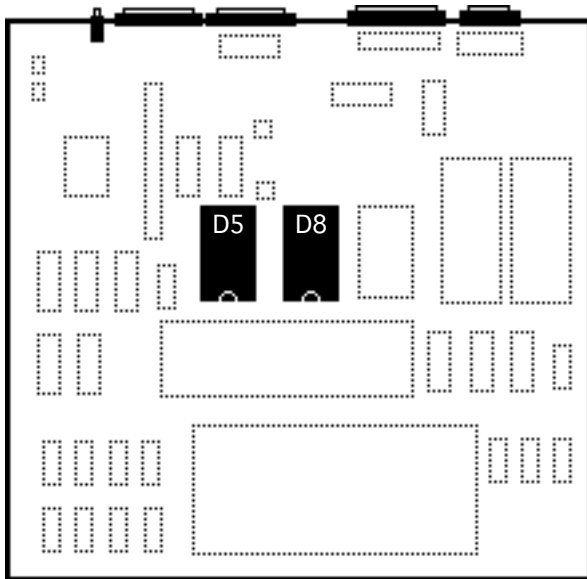
400K Drive ROM Upgrade

Before you begin,

- Remove the cover
- Discharge the CRT
- Remove the logic board

⚠ Warning: This product contains high voltage and a high-vacuum picture tube. To prevent serious personal injury or equipment damage, review CRT safety and discharge instructions in Bulletins/Safety.



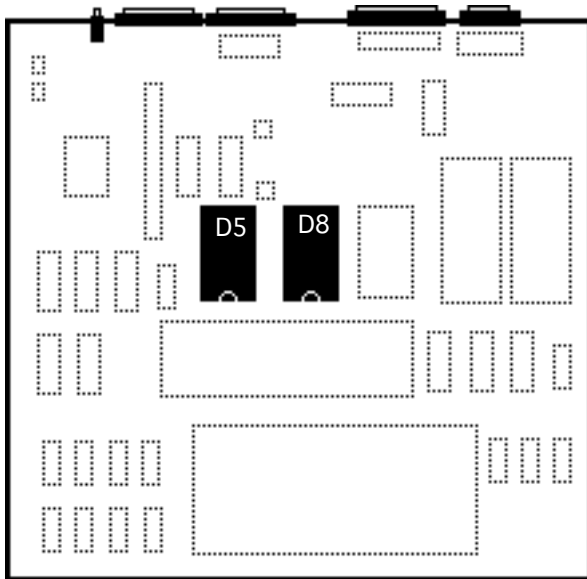


⚠ Warning: Never use a grounding wriststrap until after discharging the CRT.

Note: Current 400K drives contain a new stepper motor that requires the replacement of the two boot ROMs on the Macintosh 128K and 512K. The new ROMs are compatible with new and old stepper motors.

- 1 Using an IC extractor, remove the ROMs at locations D5 and D8.





- 2 Install the two new ROMs on the logic board:
 - ROM HI at location D5
 - ROM LOW at location D8

Note: Be sure that the notched ends of the ROMs face the front of the computer.





- 3 Reinstall the logic board in the computer. See “Logic Board” in the Take Apart chapter.

