



## Upgrades

---

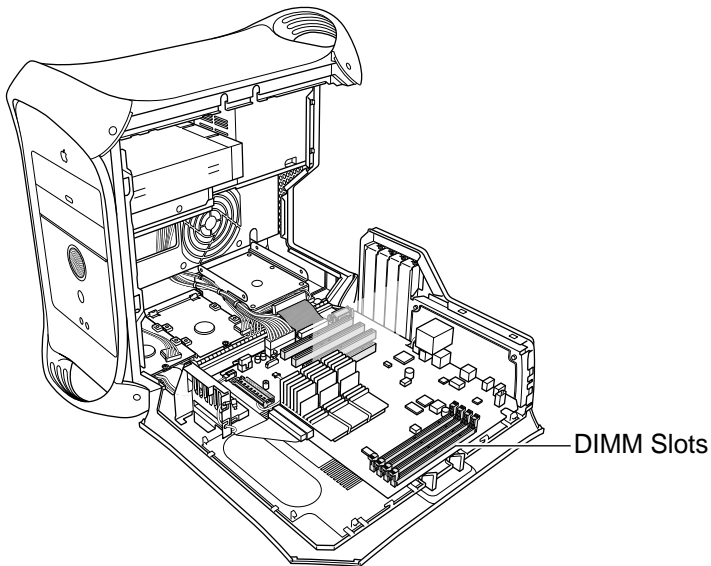
Power Mac G4 /  
Macintosh Server G4

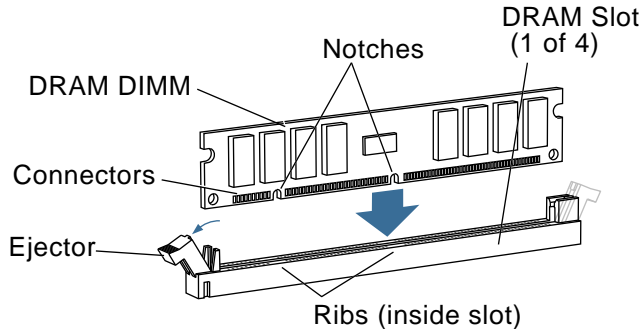


# Installation Procedures

## SDRAM DIMM

Before you begin, open the side access panel.





1. Align a DRAM DIMM in the DRAM slot so the notches line up with the ribs inside the slot.
2. Push the DIMM down evenly until the ejectors snap into place.

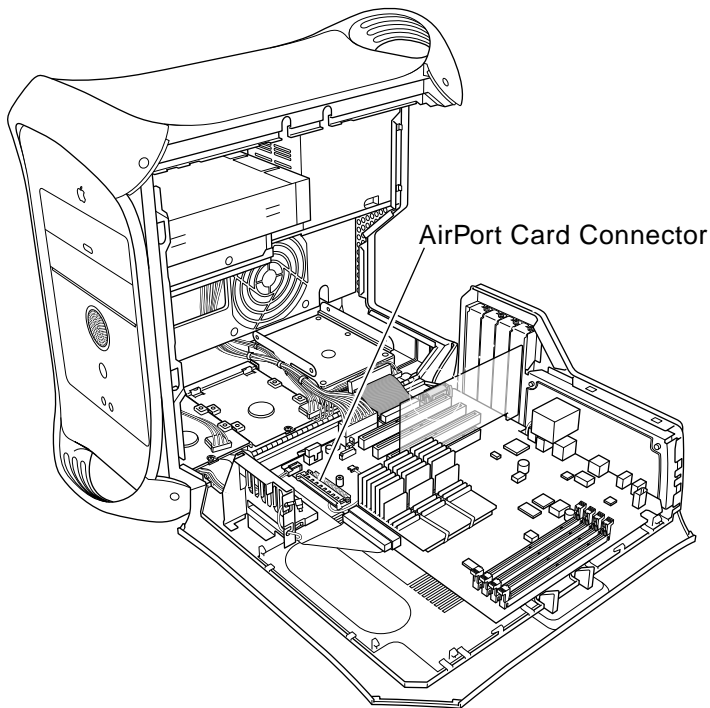
**Note:** To remove a DIMM, push down on the slot's ejectors until they open and release the DIMM. Some DRAM slots may have only one ejector.

**Important:** After upgrading memory on a new, out-of-the-box Power Mac G4



running Mac OS 9, you must press Option-S when restarting the computer.

This ensures the customer will see the Setup Assistant (a movie and setup instructions). If these keys are not pressed down each time a technician restarts the system after an upgrade, the Setup Assistant file will execute, disable itself, and the customer will never see it.



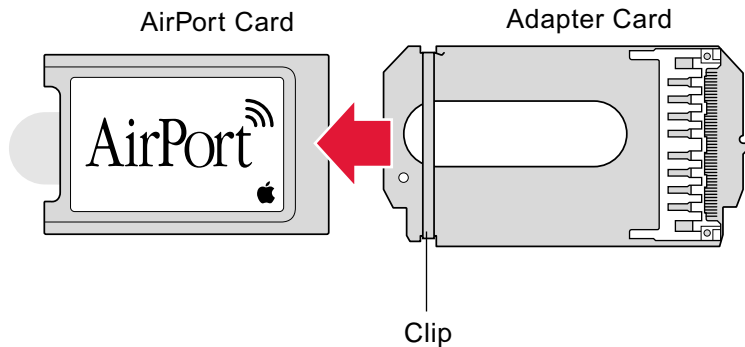
## AirPort Card

Before you begin, open the side access panel.

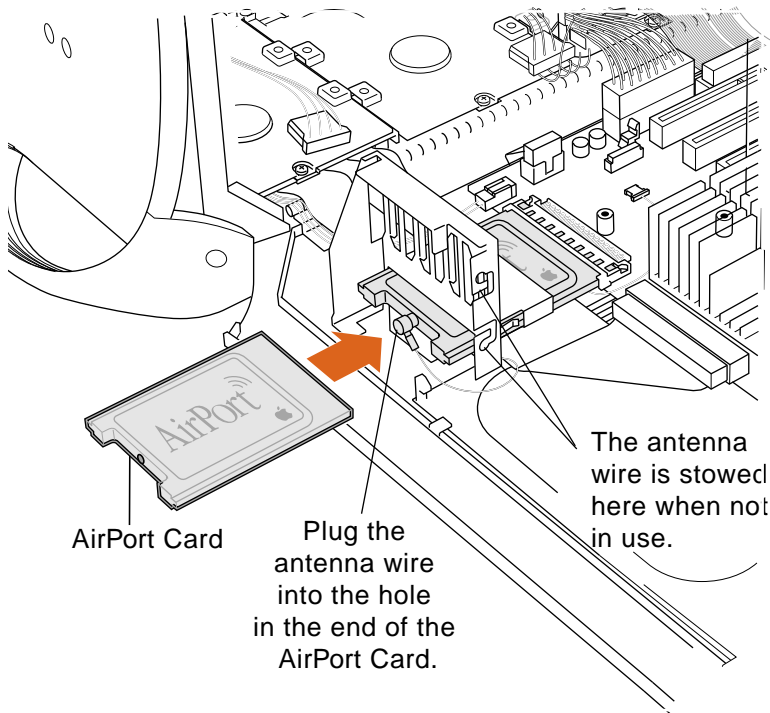
**Note:** The following procedure applies to the Power Mac G4 (AGP Graphics/Gigabit Ethernet/Digital Audio) only. You cannot install an AirPort card in the Power Mac G4 (PCI Graphics).



1. If an adapter card is installed on the AirPort card, release the metal clip and remove the AirPort card from the adapter.



**Note:** The adapter and clip are not used with the Power Mac G4.



2. Insert the AirPort card through the opening in the PCI card guide and into the connector on the logic board.
3. Connect the antenna cable to the connector on the end of the AirPort card.

**Important:** After installing an AirPort card on a new, out-of-the-box Power Mac G4 running Mac OS 9, you must press Option-S when restarting the computer. This ensures the customer will see the Setup Assistant



(a movie and setup instructions). If these keys are not pressed down each time a technician restarts the system after an upgrade, the Setup Assistant file will execute, disable itself, and the customer will never see it.