

Presario 1200

Processor/System Boards	Spare Part	System
Processor Board w/ 32 MB	356877-001	1234-38, 40, 42, 50, 52
Processor Board w/ 32 MB	330938-001	1230
Processor Board w/ 32 MB SDRAM	142646-001	1272- 75
System Board 586/200GXM, Processor	203716-001	1220, 1220ES
System Board 586/180GXM, Processor	203718-001	1215
System Board, I/O w/ 32 MB SDRAM	102246-001	1255, 60, 66, 67
System Board, I/O w/ 512K Cache w/ 32 MB RAM	158793-001	1246, 47
System Board, I/O w/ 512K Cache w/ 64 MB RAM	158794-001	1246, 77, 78
System Board w/ 32 MB SDRAM w/o FMDM	102247-001	1255, 60, 66, 67
System Board w/ Cache, w/o Processor	293785-001	1207, 10
System Board, w/o Processor	203731-001	1220
System Board, w/o Processor	327715-001	1215

Configuration Code	System Board Spare Part	Model
BQH2	293785-001	1210
BQH3	293785-001	1207
BQH4	293785-001	1207
BQH5	293785-001	1207
BVL2	203716-001	1220
BVL4	203716-001	1220
BXN2	203731-001	1215
BY44	330938-001	1230
BY86	356877-001	1235
BY87	356877-001	1238
BY88	356877-001	1237
BY8B	356877-001	1235
BY8H	356877-001	1234
BY8K	356877-001	1236
BYG2	356877-001	1240
BYG3	356877-001	1240
BYG4	356877-001	1242
BYG5	356877-001	1240
CF42	356877-001	1252
CF43	356877-001	1250
CFK7	102246-001	1260
CFK8	102246-001	1266
CFKB	102246-001	1267
CFKC	102246-001	1260
CFKD	102246-001	1260
CLR3	142646-001	1275
CLR4	142646-001	1273
CLR5	142646-001	1272

Continued

Presario 1200

Configuration Code	System Board Spare Part	Model
CLR7	142646-001	1275
CLR8	142646-001	1274
CLRG	142646-001	1275
CTS1	158793-001	1246
CTS3	158794-001	1277
CTS6	158793-001	1246
CTS7	158794-001	1278
CTS9	158793-001	1247
CTSD	158794-001	1277

Microprocessors	Spare Part	System
233 GXM Processor	330937-001	1230
586/200 GXM w/ Processor Board	203734-001	1220, 1220ES
686/150 w/ Heat Sink	293828-001	1207, 10
686/180 GXM	203718-001	1215
686/266 MMX Processor	332216-001	1234- 38
K6/300 Processor	356886-001	1250, 52
K6II/333 Processor	400442-001	1255, 60, 66, 67
K6II/366 Processor	142647-001	1272- 75
K6II/400 Processor, AMD, 2.2V	134079-001	1246, 47
K6II/433 Processor, AMD	158851-001	1277, 1278
P/266 MAX Processor	356885-001	1240, 42

Memory Modules/Boards	Spare Part	System
16 MB Memory, SODIMM	293726-001	All
32 MB Memory, SODIMM	293727-001	All
64 MB Memory, SODIMM	332208-001	All

Hard Drives	Spare Part	System
1.4 GB, IDE	293779-001	1207, 10
1.4 GB, IDE	203740-001	1215
2.1 GB, IDE	298764-001	1220
2.1 GB, IDE	330933-001	1230
3.2 GB, IDE	330968-001	1230
4.0 GB, IDE	330969-001	1260, 66, 67
4.3 GB, IDE	144410-001	1246, 47, 72, 74, 75, 77, 78
4.8 GB, IDE	142310-001	1246, 77, 78, 79
6.4 GB, IDE	347548-001	1250, 60, 66
6.4 GB, IDE	142651-001	1273

Removable Storage	Spare Part	System
1.44 MB	293784-001	All
1.44 MB	330947-001	1230, 34- 38, 40, 42, 50, 52, 55, 60, 66, 67
1.44 MB	141847-001	1246, 47, 72, 73- 75, 77, 78
14X Max CD-ROM	203741-001	1215

Continued

Presario 1200

Removable Storage	Spare Part	System
14X Max CD-ROM (Black)	297657-001	1207, 10
20X Max CD-ROM	203736-001	1220
24X CD-ROM	330934-001	1230, 34- 38, 40, 42, 50, 52
24X CD-ROM	386891-001	1255, 60, 66, 67
24X Max CD-ROM, IDE, 2C	142307-001	1246, 47, 77, 78
24X CD-ROM, 2C	142650-001	1272, 73, 74, 75

Cables	Spare Part	System
Flat Panel, Cable to Interface Board	152186-001	1246, 77- 79
Misc. Cable Kit	293759-001	All
Misc. Cable Kit	203714-001	1215, 20, 20ES
Misc. Cable Kit	293759-001	All
Misc. Cable Kit	330946-001	1230, 34- 38, 40, 42, 46, 47, 50, 52, 55, 60, 66, 67, 72- 75, 77- 79

Miscellaneous Internal	Spare Part	System
Audio Board w/ Jacks – Lite	293756-001	1207, 10
Fan	346863-001	1234- 38, 40, 42, 50, 52, 55, 60, 66, 67
Fan	293747-001	All
Fan	102249-001	1272- 75
Fan, 5500 rpm	158801-001	1246, 47, 77- 79
Fan, 7000 rpm	158800-001	1246, 47, 77- 79
Heat Spreader, 2000	158802-001	1246, 47, 77- 79
LCD Interface Board w/ Header	293746-001	All
Voltage Converter Board	293748-001	All
Voltage Converter Board	330962-001	1230
Voltage Converter Board, 3C	352891-001	1234- 38, 40, 42, 46, 47, 50, 52, 55, 60, 66, 67, 72- 75, 77- 79

Miscellaneous External	Assembly	Spare Part	System
AC Adapter		298239-001	All (new smaller size)
AC Adapter		293787-001	All
Base Enclosure		158798-001	1246, 47, 77, 78
CPU Cover, Upper		203739-001	1215, 1220
CPU Cover w/ Cable & Power Switch		293739-001	All
Hardware Kit, Misc.		346853-001	1234- 38, 40, 46, 47, 50, 52, 55, 60, 66, 67, 72- 75, 77- 79
Keyboard, US		102250-001	1260
Keyboard, US		141706-XXX	1246, 47, 72- 75, 77- 79
Keyboard, US		293776-001	1210, 1620
Keyboard, US		330956-001	1230, 34- 38, 40, 50, 52
Modem, 33.6+Data/Fax	298958-002	298974-002 DISCONTINUED	1215, 20, 07
Modem, 56.6+Data/Fax	292306-002	292311-001	1220, 10, 07

Continued

Presario 1200

Miscellaneous External	Assembly	Spare Part	System
Modem, 56K Data/Fax		138657-001	1215, 20, 30
Modem, 56K Data/Fax	292306-001	138610-001	1230, 34, 40, 42, 55, 60
Modem, 56K Data/Fax w/o SRAM		138659-001	1235- 38, 40, 50, 52, 55, 60, 66, 67, 72-75
Modem, K-56K Data/Fax w/o SRAM		400445-001	1246, 47, 77, 78
Palm Rest w/ Board & Cables		293716-001	All
Palm Rest		203737-001	1215, 1220
Palm Rest		330965-001	1230
Palm Rest		352888-001	1234- 38, 40, 42, 50, 52
Palm Rest w/ Touchpad/Button Board		387540-001	1255, 60, 66, 67
Palm Rest w/ Touchpad/Button Board		142653-001	1272- 75
Palm Rest w/ Touchpad/Button Board w/o Soft Paint		161416-001	1278
Plastic Kit, Miscellaneous		142657-001	1246, 47, 77, 78
Port Replicator		102270-001	1270
Speakers, Left and Right		293757-001	1215, 1220
Speakers, Left and Right		293782-001	All ex 1207, 10
Speakers, Lite		293883-001	1207, 10
Speakers, w/ Enclosure and Cable		330960-001	1230
Speakers, w/ Enclosure and Cable		352889-001	1234- 38, 40, 42, 50, 52, 55, 60, 66, 67
Speakers, w/ Enclosure and Cable		148108-001	1246, 47, 72-75, 77, 78

Modem Cables	Spare Part
APD	137256-001
Brazil	137256-001
Canada	137256-001
Hong Kong	137256-001
Japan	137256-001
Latin America	137256-001
Switzerland	304398-111
Taiwan	137256-001
United Kingdom	165224-031
US	137256-001

Modem Cable/Adapters	Cable Spare Part
APD	304398-371
Australia	304398-011
Belgium	304398-181
France	304398-051
Germany	304398-041
Netherlands	304398-331

Continued

Presario 1200

Modem Cable/Adapters	Cable Spare Part
New Zealand	304398-011
Sweden	304398-101
United Kingdom	304398-031

Video	Spare Part	System
Display Assy , 11.3" DSTN	293781-001	1207
Display Panel, 12.1" DSTN	158795-001	1277- 79
Display Assy, 12.1" HC	332209-001	1220 (BVL4)
Display Assy, 12.1" HPA	203735-001	1220 (BVL2), 1215
Display Assy, 12.1" HPA	330939-001	1230, 34, 35, 38, 40
Display Assy, 12.1" HPA	142648-001	1272- 75
Display Assy, 12.1" STN-Lite	293881-001	1210
Display Assy, 12.1" TFT	352890-001	1235- 37, 40, 42, 50, 52, 60, 66, 67
Display Panel, 12.1" HPA II	102248-001	1255
Display Panel, 12.1" TFT/LVDS	159038-001	1246, 77- 79
Display Assy, 13.0" HPA	142649-001	1275
Display Panel, 13.0" DSTN	158796-001	1246, 78, 79
Display, Status w/ Cables	293737-001	All

ROM Information	Spare Part	System
ROMPaq	261922-001	All

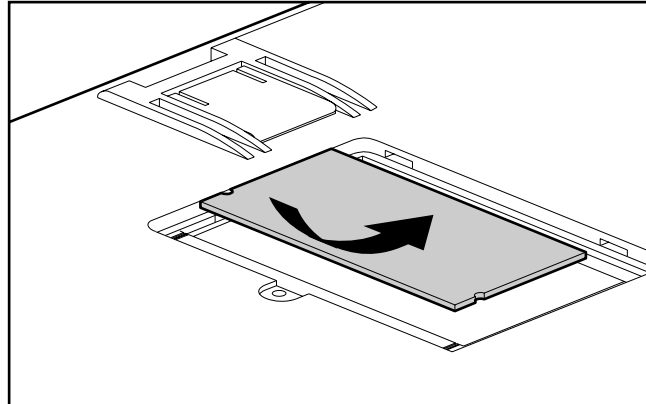
Battery/Power Supply	Spare Part	System
Battery Pack, E.D. NiMH	330935-001	1230, 34, 35, 40
Battery Pack, E.D. NiMH, Enhanced	388648-001	1246, 55, 72- 75, 77- 79
Battery, Li-Ion	292560-001	All
Battery, Li-Ion	330936-001	1234- 38, 40, 42, 50, 52
Battery, Li-Ion, Enhanced	388647-001	1246, 47, 55, 60, 66, 67, 75, 77, 78, 79
Battery, NiMH	293861-001	All
Clock/Battery	117099-001	All

Presario 1200

Presario 1207, 1210, 1215, 1220, 1220ES, 1230

Memory Upgrade Chart

MAXIMUM MEMORY IS 96 MB



ADD ANY ONE OF THE FOLLOWING
MEMORY MODULES:

16-MB MEMORY MODULE, SODIMM - OPTION PN 293820-001

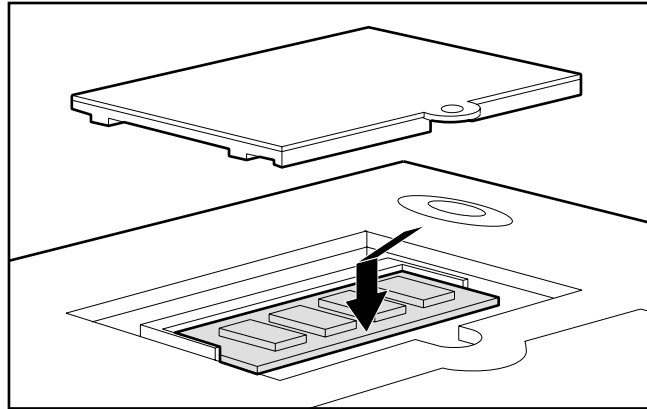
32-MB MEMORY MODULE, SODIMM - OPTION PN 293821-001

64-MB MEMORY MODULE, SODIMM - OPTION PN 293822-001

Presario 1200

Presario 1234, 35, 36, 37, 38, 40, 42, 50, 52

Memory Upgrade Chart



MAXIMUM MEMORY IS 96 MB

ADD ANY ONE OF THE FOLLOWING
MEMORY MODULES:

16-MB MEMORY MODULE - OPTION PN 293820-001

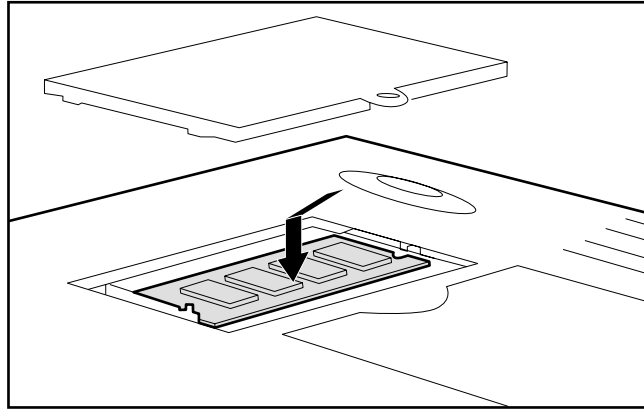
32-MB MEMORY MODULE - OPTION PN 293821-001

64-MB MEMORY MODULE - OPTION PN 293822-001

Presario 1200

Presario 1255, 60

Memory Upgrade Chart



ADD ANY ONE OF THE FOLLOWING MEMORY BOARDS

32-MB SDRAM OPTION PN 293821-002

64-MB SDRAM OPTION PN 293822-002

128-MB SDRAM OPTION PN 401040-B21