

PCG-FXA53/**FXA59**

SERVICE MANUAL

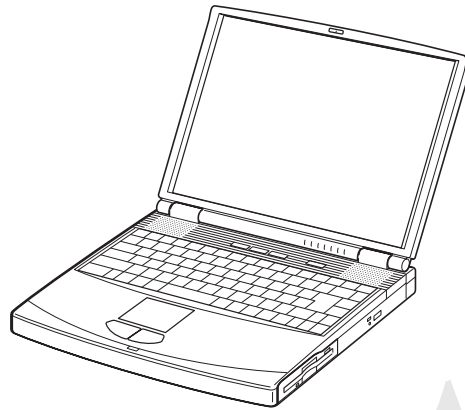
For American Area

US Model

Canadian Model

Ver 2-2002G

Revision History



Lineup : PCG-FXA59
PCG-FXA53



Confidential

- Design and specifications are subject to change without notice.

NOTEBOOK COMPUTER

SONY®

Information in this document is subject to change without notice.

Sony, VAIO and CLIE are trademarks or registered trademarks of Sony. Microsoft, Windows, Windows Media, Outlook, Bookshelf and other Microsoft products are trademarks or registered trademarks of Microsoft Corporation in the United States and other countries. The word Bluetooth and the Bluetooth logo are trademarks of Bluetooth SIG, Inc. AMD, AMD logo, AMD Duron and combinations thereof, 3DNow!, are trademarks of Advanced Micro Devices, Inc. Intel Inside logo, Pentium and Celeron are trademarks or registered trademarks of Intel Corporation. Transmeta, the Transmeta logo, Crusoe Processor, the Crusoe logo and combinations thereof are trademarks of Transmeta Corporation in the USA and other countries. Graffiti, HotSync, PalmModem, and Palm OS are resistered trademarks, and the Hotsync logo and Palm are trademarks of Palm, Inc. or its subsidiaries. (M) and Motrola are trademarks of Motrora, Inc. Other Motrola products and services with (R) mark like Dragomball are the trademarks of Motrola, Inc.

All other names of systems, products and services in this manual are trademarks or registered trademarks of their respective owners. In this manual, the (TM) or (R) mark are not specified.

Caution Markings for Lithium/Ion Battery - The following or similar texts shall be provided on battery pack of equipment or in both the operating and the service instructions.

CAUTION: Danger of explosion if battery is incorrectly replaced. Replace only with the same or equivalent type recommended by the manufacturer. Discard used batteries according to the manufacturer’s instructions.

CAUTION: The battery pack used in this device may present a fire or chemical burn hazard if mistreated. Do not disassemble, heat above 100°C (212°F) or incinerate.

Dispose of used battery promptly.
Keep away from children.

CAUTION: Changing the back up battery.

- Overcharging, short circuiting, reverse charging, multilation or incineration of the cells must be avoided to prevent one or more of the following occurrences; release of toxic materials, release of hydrogen and/or oxygen gas, rise in surface temperature.
- If a cell has leaked or vented, it should be replaced immediately while avoiding to touch it without any protection.



Service and Inspection Precautions

1. Obey precautionary markings and instructions

Labels and stamps on the cabinet, chassis, and components identify areas requiring special precautions. Be sure to observe these precautions, as well as all precautions listed in the operating manual and other associated documents.

2. Use designated parts only

The set’s components possess important safety characteristics, such as noncombustibility and the ability to tolerate large voltages. Be sure that replacement parts possess the same safety characteristics as the originals. Also remember that the Δ mark, which appears in circuit diagrams and parts lists, denotes components that have particularly important safety functions; be extra sure to use only the designated components.

3. Always follow the original design when mounting parts and routing wires

The original layout includes various safety features, such as inclusion of insulating materials (tubes and tape) and the mounting of parts above the printer board. In addition, internal wiring has been routed and clamped so as to keep it away from hot or high-voltage parts. When mounting parts or routing wires, therefore, be sure to duplicate the original layout.

4. Inspect after completing service

After servicing, inspect to make sure that all screws, components, and wiring have been returned to their original condition. Also check the area around the repair location to ensure that repair work has caused no damage, and confirm safety.

5. When replacing chip components...

Never reuse components. Also remember that the negative side of tantalum capacitors is easily damaged by heat.

6. When handling flexible print boards...

- The temperature of the soldering-iron tip should be about 270C.
- Do not apply the tip more than three times to the same pattern.
- Handle patterns with care; never apply force.

Caution: Remember that hard disk drives are easily damaged by vibration. Always handle with care.

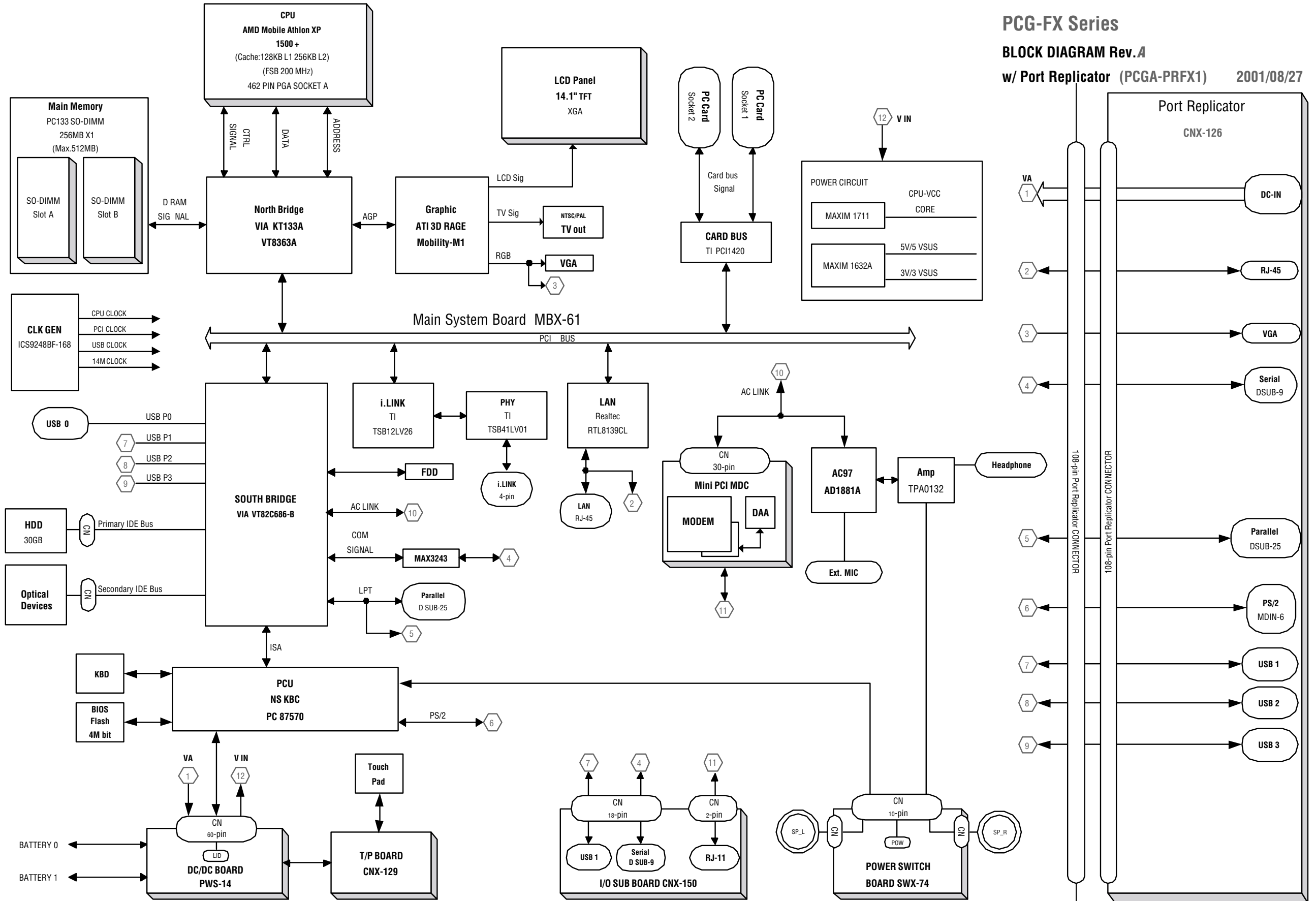
ATTENTION AU COMPOSANT AYANT RAPPORT À LA SÉCURITÉ!
LES COMPOSANTS IDENTIFÉS PAR UNE MARQUE Δ SUR LES DIAGRAMMES SCHÉMATIQUES ET LA LISTE DES PIÈCES SONT CRITIQUES POUR LA SÉCURITÉ DE FONCTIONNEMENT. NE REMPLACER CES COMPOSANTS QUE PAR DES PIÈSES SONY DONT LES NUMÉROS SONT DONNÉS DANS CE MANUEL OU DANS LES SUPPÉMENTS PUBLIÉS PAR SONY.

TABLE OF CONTENTS

<u>Section</u>	<u>Title</u>	<u>Page</u>
CHAPTER 1. BLOCK DIAGRAM	1-1
		(to 1-2)
CHAPTER 2. FRAME HARNESS DIAGRAM	1-1
		(to 1-2)
CHAPTER 3. EXPLODED VIEWS AND PARTS LIST	3-1
3-1. Main Section	3-2
3-2. FDD Section	3-5
3-3. LCD Section (FXA53 Model) – Made by AC –	3-7
3-3-A. LCD Section (FXA59 Model) – Made by SH –	3-8(a)
3-4. Connector Section (CH Type Only)	3-9
		(to 3-10)
CHAPTER 4. OTHERS		
4-1. Replacing the CPU	4-1
1. Removing the CPU	4-1
2. Installing the CPU	4-1

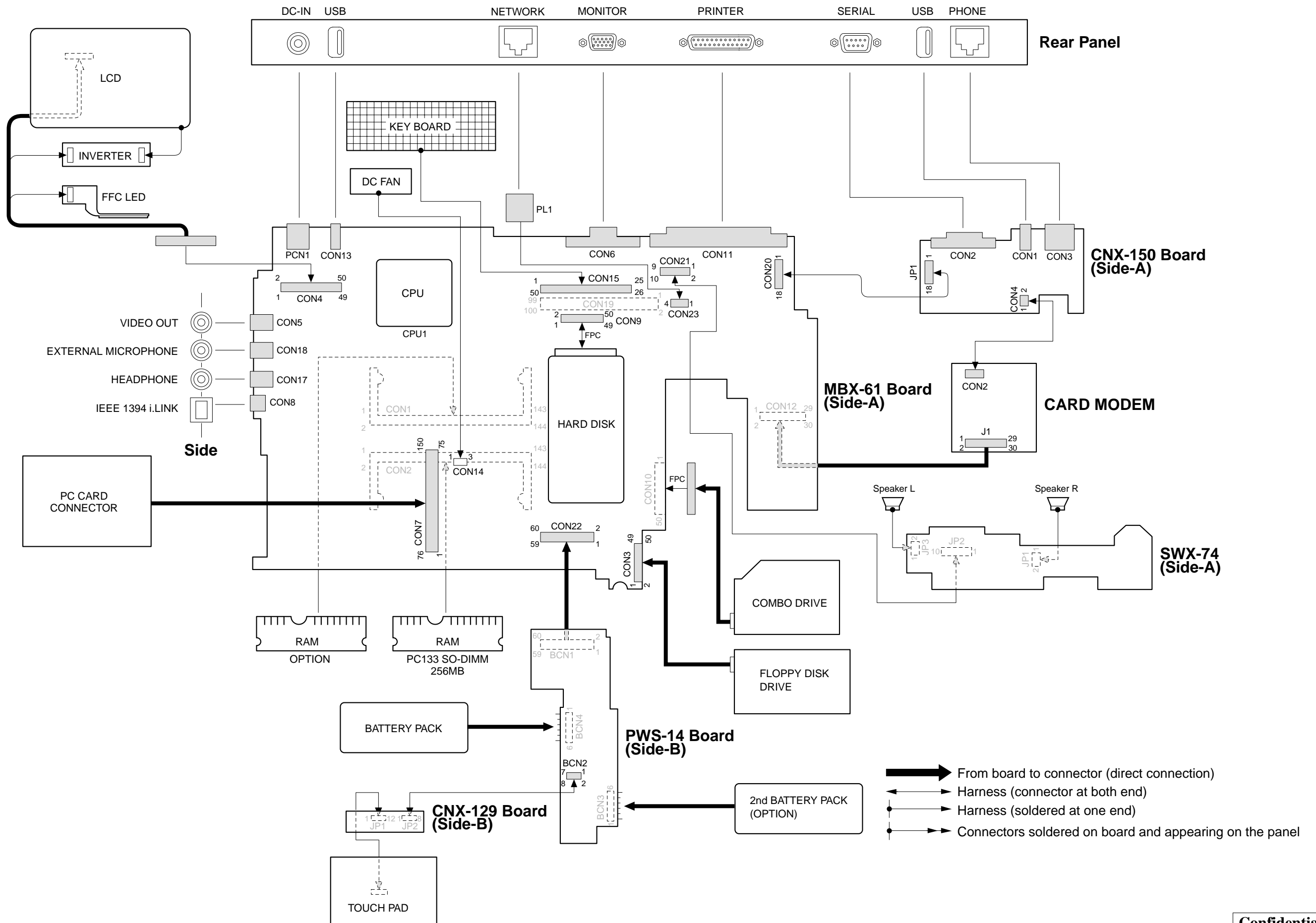
History of the changes is shown as the
“Revision History” at the end of this data.

CHAPTER 1. BLOCK DIAGRAM



PCG-FX Series
BLOCK DIAGRAM Rev.A
 w/ Port Replicator (PCGA-PRFX1) 2001/08/27

CHAPTER 2. FRAME HARNESS DIAGRAM



- From board to connector (direct connection)
- Harness (connector at both end)
- Harness (soldered at one end)
- Connectors soldered on board and appearing on the panel

EXPLODED VIEWS AND PARTS LIST

NOTE:

- The mechanical parts with no reference number in the exploded views are not supplied.
- Items marked “ * ” are not stocked since they are seldom required for routine service. Some delay should be anticipated when ordering these items.
- When two or more parts are shown in parallel, use the part described first as the main part.
- The indication [CH] is used for identification of part type.
- Regarding the boards of this model, the discrete parts on the boards cannot be replaced. However, Some connectors can be replaced.

The components identified by mark \triangle or dotted line with mark \triangle are critical for safety. Replace only with part number specified.

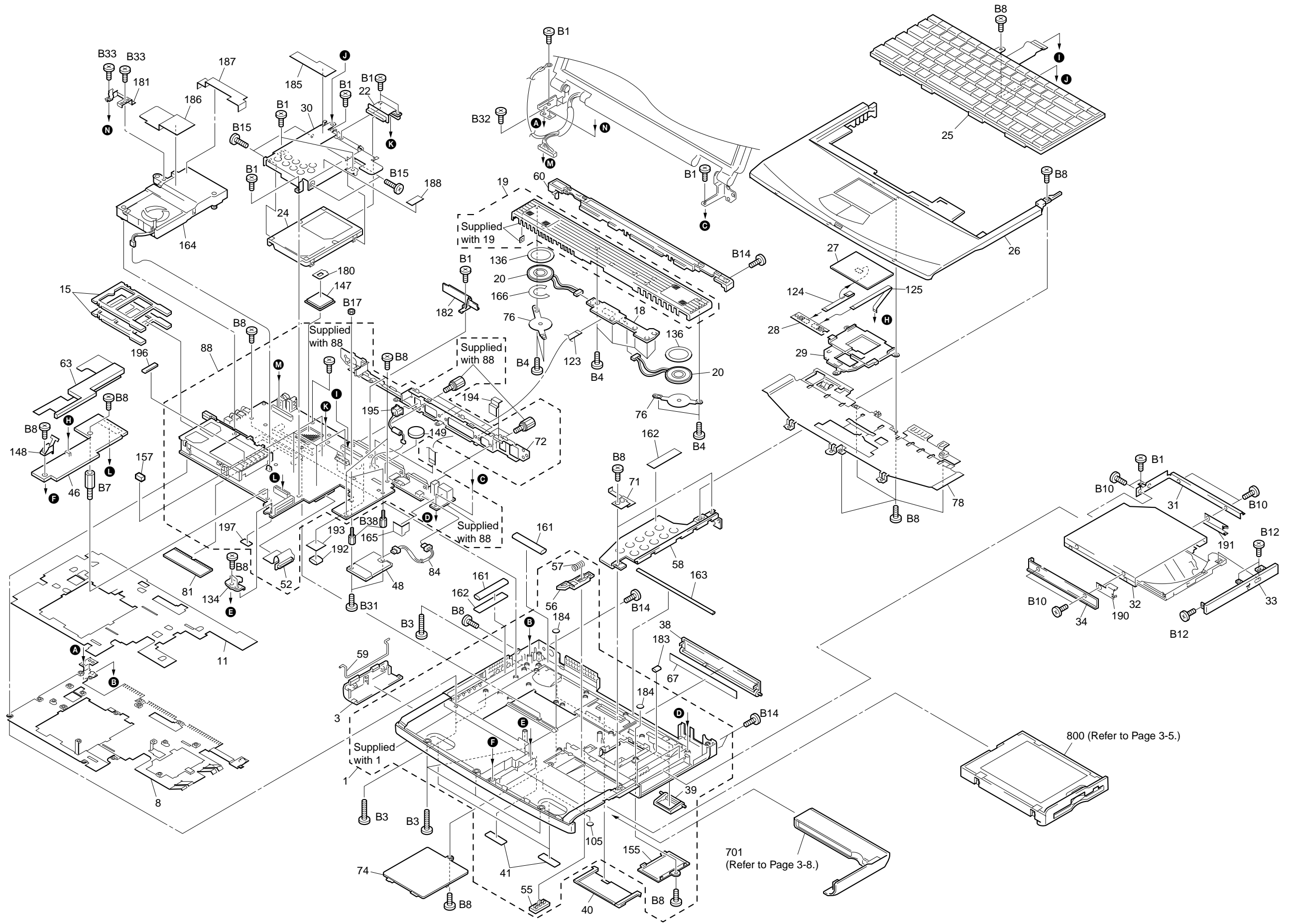
Les composants identifiés par une marque \triangle sont critiques pour la sécurité. Ne les remplacer que par une pièce portant le numéro spécifié.

3-1. Main Section

Ref.No.	Part No.	Description
1	X-4623-848-3	[CH]...ASSY BOTTOM (Q)
3	4-640-837-22	DOOR BATTERY
* 8	4-651-706-01	HEATSINK BOTTOM
11	4-656-752-01	[CH]...INSULATOR HEATSINK BOTTOM
15	4-643-832-21	DUMMY CARD
18	A-8049-276-A	COMPLETE PWB SWX-74
19	X-4623-389-1	ASSY HOOD KEYBOARD Z (P)
20	1-529-287-11	SPEAKER UNIT
22	1-790-639-22	FPC 50PIN (FOR HDD)
24	A-8059-429-A	ASSY HDD 30GB (H,20,F) (S)
25	1-476-647-12	KEY BOARD UNIT (US)
26	X-4623-849-3	[CH]...ASSY PALMREST (Q)
27	1-772-529-72	PAD, TOUCH
28	A-8049-275-A	COMPLETE PWB CNX-129
* 29	4-651-699-01	BRACKET PAD
* 30	4-651-708-12	BRACKET (HDD)
31	4-640-861-04	BRACKET CD-ROM R
32	1-796-264-11	COMBO DRIVE (UJDA720)
33	X-4623-436-2	ASSY DOOR DVD-RW (PA)
* 34	4-640-860-03	BRACKET (CD-ROM L)
38	4-656-727-01	[CH]...DOOR I/O
39	4-656-735-01	[CH]...FOOT REAR
40	4-651-714-01	DOOR DOCKING CONNECTOR
41	4-656-736-01	[CH]...FOOT FRONT
46	A-8049-270-A	COMPLETE PWB PWS-14
48	1-761-380-23	CARD, MODEM
52	1-790-640-11	FPC 50PIN (FOR CD-ROM)
55	4-640-845-11	BUTTON BAY
56	4-644-349-01	LATCH BAY
* 57	4-640-854-01	SPRING BAY
* 58	4-651-850-01	BRACKET BOTTOM
* 59	4-640-857-01	DOOR BATTERY SPRING
60	4-651-698-01	DISPLAY BASE
63	4-651-928-02	COVER BATTERY CONNECTOR
67	4-656-756-01	[CH]...LABEL I/O
* 71	4-641-851-02	SPRING (FDD), PLATE
72	4-657-283-01	[CH]...BRACKET IO
74	4-651-702-01	DOOR DIMM
* 76	4-644-361-01	BRACKET SPK
* 78	4-644-362-11	PLATE PALMREST
81	6-600-118-01	IC MT8LSDT3264HG-133B1 (PC-133 SO-DIMM (256MB CL3))
81	6-600-114-01	IC HYS64V32220GDL-7.5-C2 (PC-133 SO-DIMM (256MB CL3))
84	1-960-827-21	HARNESS (2 PIN)
88	A-8110-217-A	MAIN BOARD ASSY
105	4-641-630-11	COVER BAY HOLE
123	1-790-711-21	FFC (PPK)
124	1-757-767-11	FFC (TP-CNX)
125	1-790-710-11	FFC (SWX-PWS)
* 134	4-645-433-01	BRACKET BAY CONNECTOR
136	4-644-357-01	CUSHION SPK
147	6-702-541-01	IC AXMS1500FWS3B (Athlon XP 1500+)
148	X-4623-561-2	ASSY LATCH DETECTOR
149	1-756-148-11	SECONDARY BATTERY, LITHIUM
155	4-651-701-01	DOOR MODEM
157	4-654-701-01	CUSHION (HD-M2)

Ref.No.	Part No.	Description
161	4-654-019-01	GASKET (AV)
162	4-654-047-01	SHIELD (AV)
163	4-653-936-01	GASKET (HB/M)
164	A-8059-275-A	COOLING UNIT-3
165	4-644-667-01	COVER RJ-11
166	4-654-631-01	GUARD SPK
180	4-663-824-01	TAPE CPU (A-XP)
* 181	4-654-398-01	PLATE GROUND (SH)
182	4-657-164-03	BRACKET WIRE 2
183	4-655-511-01	GASKET (DRIVE)
184	4-654-776-01	INSULATOR (SCREW)
185	4-654-783-01	SHIELD TAPE (HDD)
186	4-655-042-01	SHIELD SHEET (FAN)
187	4-658-711-01	SHIELD TAPE (FAN)2
188	4-658-542-01	SPACER (KEY BOARD)
190	4-657-629-01	SPRING DRIVE (PA)
191	4-657-049-01	SPRING DRIVE (PA-R)
192	4-658-470-01	[CH]...GASKET (DOCK)
193	4-659-640-01	TAPE (DOCK) J
194	4-659-641-01	SHIELD TAPE (USB) 2J
195	9-885-020-01	CABLE ASSY (RJ-45-CONN)
196	4-653-151-01	SPACER (KBF)
197	4-664-390-01	TAPE M/B J
B1	4-641-726-41	SCREW (M2), SPECIAL HEAD
B3	4-644-899-01	SCREW (M2), 0 NUMBER P3 KIND
B4	4-639-112-01	SCREW M2X4
B7	4-644-402-12	SCREW (MBX)
B8	4-641-726-11	SCREW (M2), SPECIAL HEAD
B10	4-652-498-01	+B M2 (NOJI)
B12	4-645-177-01	SCREW (M1.7X3.5)
B14	4-645-497-01	SCREW (M2.6), CROSS (HOLE) BIND
B15	4-635-301-01	SCREW M3X4
B17	7-622-205-05	NUT M2 TYPE2
B31	4-645-214-11	GRIP, M2
B32	7-621-772-68	SCREW +B 2X12
B33	4-642-852-21	+B M2
B38	4-651-989-01	SPACER (MBX)
800	—————	Refer to section "3-2.FDD Section"

NOTE :
When replacing the CPU, refer to "4-1. Replacing the CPU".

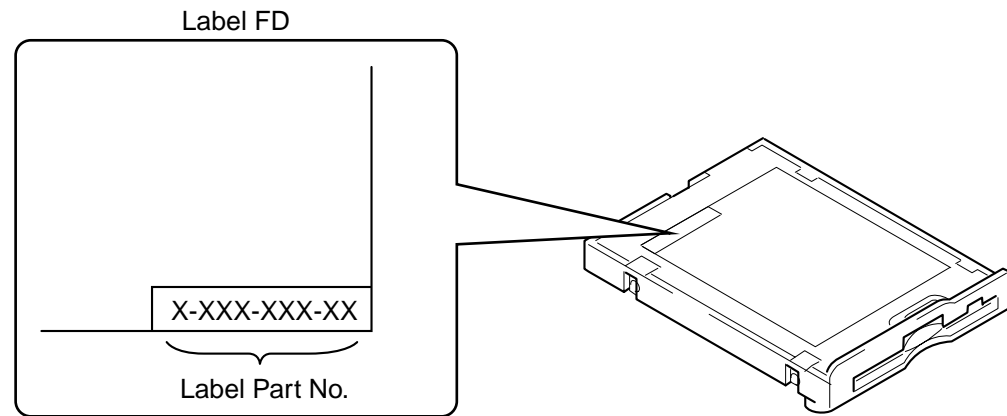


3-2. FDD Section

How to use properly the FDD repair parts.

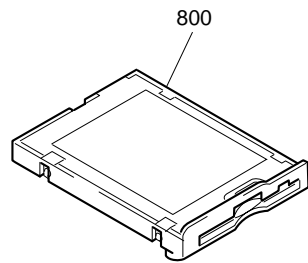
MEMO

Types of service to be provided are different depending on the part No. of the FDD in use.

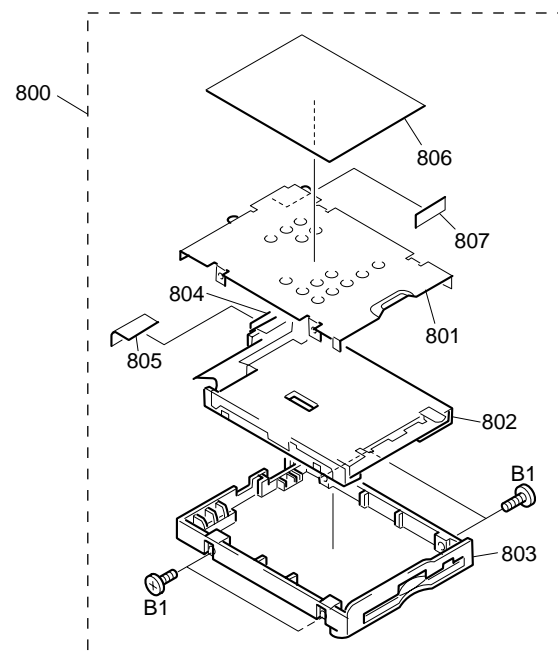


The service types are shown below depending on the part No. that is printed in the bottom right of the FD label.

[Label Part No. : 4-656-805-0*]



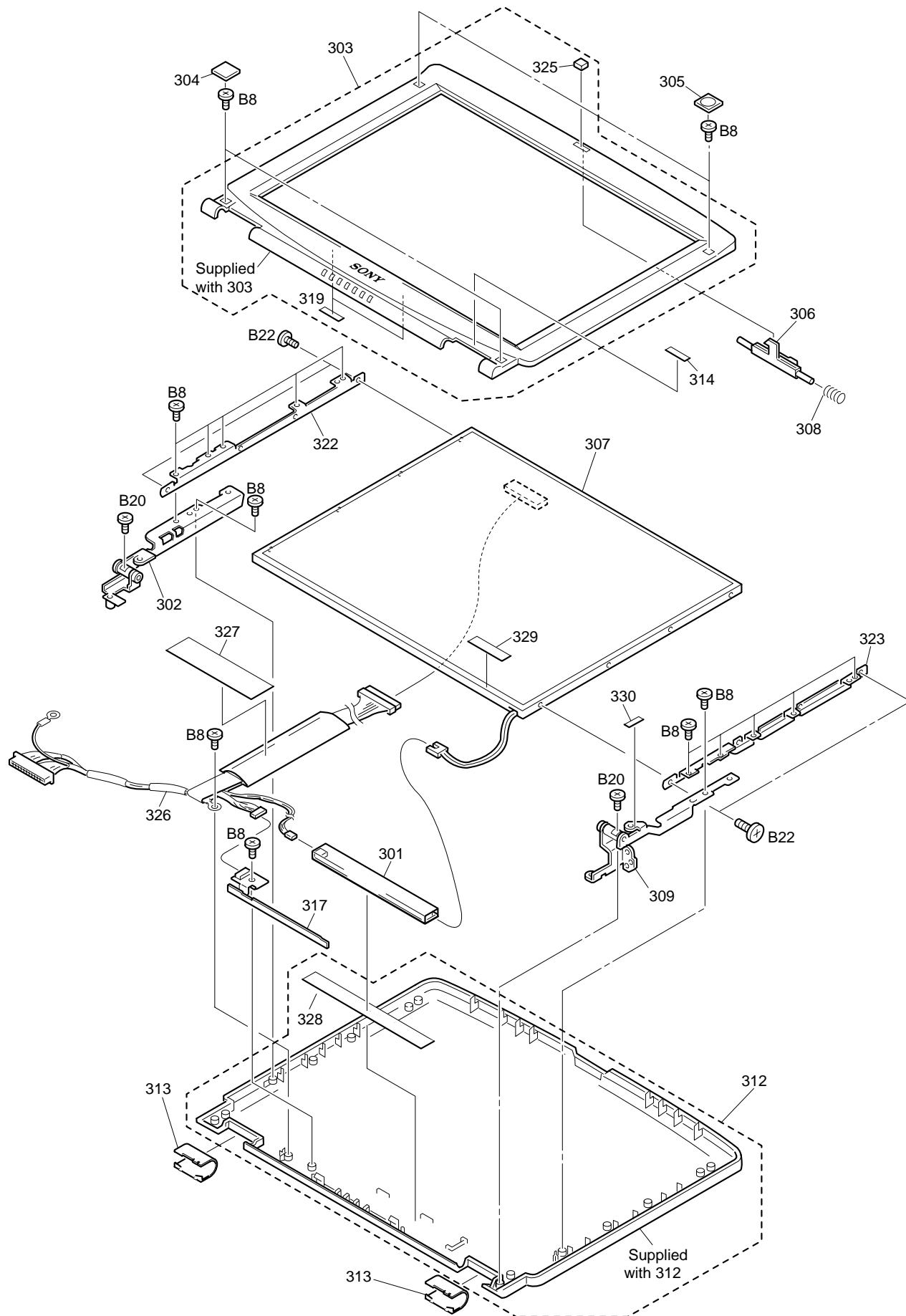
[Label Part No. : 4-641-763-3*]



Ref.No.	Part No.	Description
800	A-8025-674-A	FDD UNIT ASSY (TN-CH)

Ref.No.	Part No.	Description
800	A-8048-966-A	ASSY BAY FD (TE)
801	4-640-828-01	PLATE FDD
802	1-796-231-11	FDD (FD-07-7760)
803	X-4623-835-1	ASSY BOTTOM FDD Z (TCY3)
804	1-790-641-11	FPC 50PIN (FOR FDD)
805	4-641-629-01	INSULATOR FDD
806	4-641-763-31	LABEL FD
807	4-644-053-01	SPACER FDD
B1	4-646-807-01	0 PLATE M2.5 (FDD)

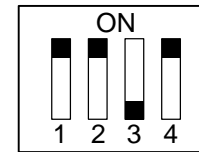
3-3. LCD Section (FXA53 Model) – Made by AU –



Ref.No.	Part No.	Description
301	1-476-318-21	INVERTER UNIT
302	X-4623-378-1	HINGE LEFT MV
303	X-4623-409-3	ASSY HOU, BEZEL 14SA-Z
304	4-635-277-22	COVER SCREW LOWER
305	4-635-276-22	COVER SCREW UPPER
306	4-637-902-31	LATCH
307	A-8023-466-A	ASSY LCD XGA 14AU (S)
308	4-637-903-01	SPRING LATCH
309	X-4623-379-1	HINGE RIGHT MV
312	X-4623-458-1	ASSY HOU, DISPLAY 14FV-Z
313	4-642-762-31	COVER HINGE (15)
314	4-664-249-11	LABEL ID (U)
317	1-757-605-11	PWB, FLEXIBLE PRINT (SINGLE)
319	4-654-966-01	SHEET (BEZEL), ADHESIVE
* 322	4-644-163-11	BRACKET LCD LEFT 14 (SA)
* 323	4-644-164-11	BRACKET LCD RIGHT 14 (SA)
325	4-642-760-12	CUSHION CENTER
326	1-961-018-81	HARNESS, LCD (XGA-F-N)
327	4-650-831-01	SHIELD TAPE (SK)
328	4-645-219-01	LCD TAPE 13.3
329	4-665-934-01	TAPE LCD2
330	4-665-931-01	SPACER LCD
B8	4-641-726-11	SCREW (M2), SPECIAL HEAD
B20	7-628-254-00	SCREW +PS 2.6X5
B22	4-658-316-01	ACE (M2), +B LOCK

NOTE :

Set the DIP switch on the MBX-61 board (Main board) to match with the LCD (A-8023-466-A) that is used in this computer.



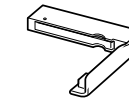
The upper position where ON indication is shown is the ON position. The lower position is the OFF position.

No.	1	2	3	4
ON/OFF	0	0	1	0

0: ON 1: OFF

Ref.No.	Part No.	Description
		ACCESSORIES *****
701	A-8048-965-A	ASSY WEIGHT SAVER (Z) (Refer to Page 3-4.)
△ 702	1-476-342-41	ADAPTOR, AC
703	A-8110-712-A	BP71A SNT (U) ASSY (S)
704	1-575-875-51	CORD, CONNECTION
△	1-757-562-21	CORD, POWER
	4-664-750-11	SPECIFICATIONS SHEET, 2420 U
	4-664-754-11	QUICK START, 2420 U

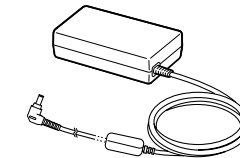
701
Weight saver (1)



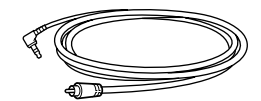
703
Battery pack (1)



702
AC adaptor (1)



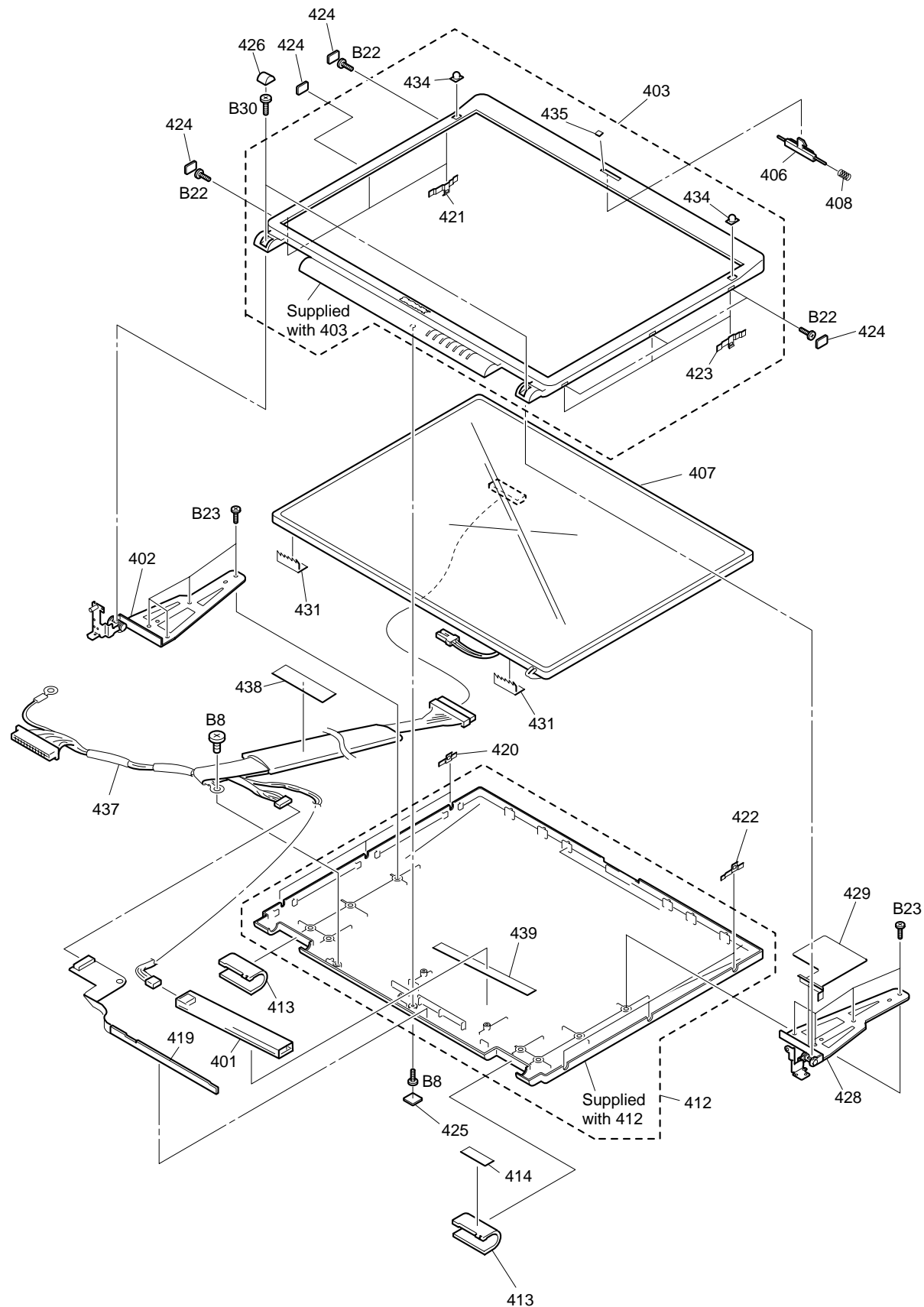
704
Video cable (1)



The components identified by mark △ or dotted line with mark △ are critical for safety. Replace only with part number specified.

Les composants identifiés par une marque △ sont critiques pour la sécurité. Ne les remplacer que par une pièce portant le numéro spécifié.

3-3-A. LCD Section (FXA59 Model) – Made by SH –



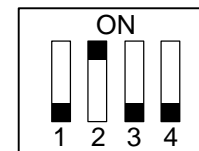
3-8(a)

Ref.No.	Part No.	Description
401	1-476-316-11	INVERTER UNIT
402	X-4623-380-1	HINGE LEFT 15
403	X-4623-448-2	ASSY HOU, BEZEL 15SA-Z
406	4-637-902-31	LATCH
407	A-8023-483-A	ASSY LCD SXGA+ 15SH (S)
408	4-637-903-01	SPRING LATCH
412	X-4624-622-1	ASSY HOU, DISPLAY 15SA-Z
413	4-642-762-31	COVER HINGE (15)
414	4-664-249-11	LABEL ID (U)
419	1-757-604-11	PWB, FLEXIBLE PRINT (SINGLE)
420	4-642-755-01	BRACKET LCD (DL) 15
421	4-642-756-01	BRACKET LCD (BL) 15
422	4-642-757-01	BRACKET LCD (DR) 15
423	4-642-758-01	BRACKET LCD (BR) 15
424	4-646-217-11	COVER SCREW SIDE (15)
425	4-635-277-22	COVER SCREW LOWER
426	4-643-549-12	COVER SCREW SHAFT
428	X-4623-381-1	HINGE RIGHT 15
429	4-643-366-11	EDGE GUARD HINGE (15)
431	4-643-837-01	SHIELD (LCD)
434	4-635-276-22	COVER SCREW UPPER
435	4-642-760-12	CUSHION CENTER
437	1-961-017-31	HARNES, LCD (SXGA+)
438	4-650-831-01	SHIELD TAPE (SK)
439	4-645-219-01	LCD TAPE 13.3

Ref.No.	Part No.	Description
B8	4-641-726-11	SCREW (M2), SPECIAL HEAD
B22	4-642-761-01	+P M2X3 LOCK
B23	4-644-165-01	SCREW (M2.6X4), O PLATE P1 MAIN
B30	4-643-550-01	+P 2.6X6 LOCK PRECISION TYPE3

NOTE :

Set the DIP switch on the MBX-61 board (Main board) to match with the LCD (A-8023-483-A) that is used in this computer.



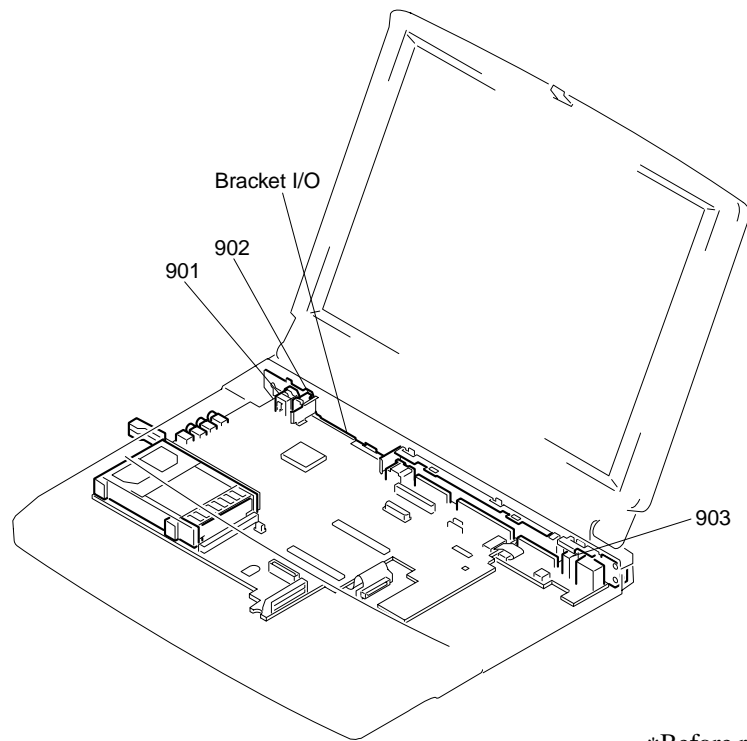
The upper position where ON indication is shown is the ON position. The lower position is the OFF position.

No.	1	2	3	4
ON/OFF	1	0	1	1

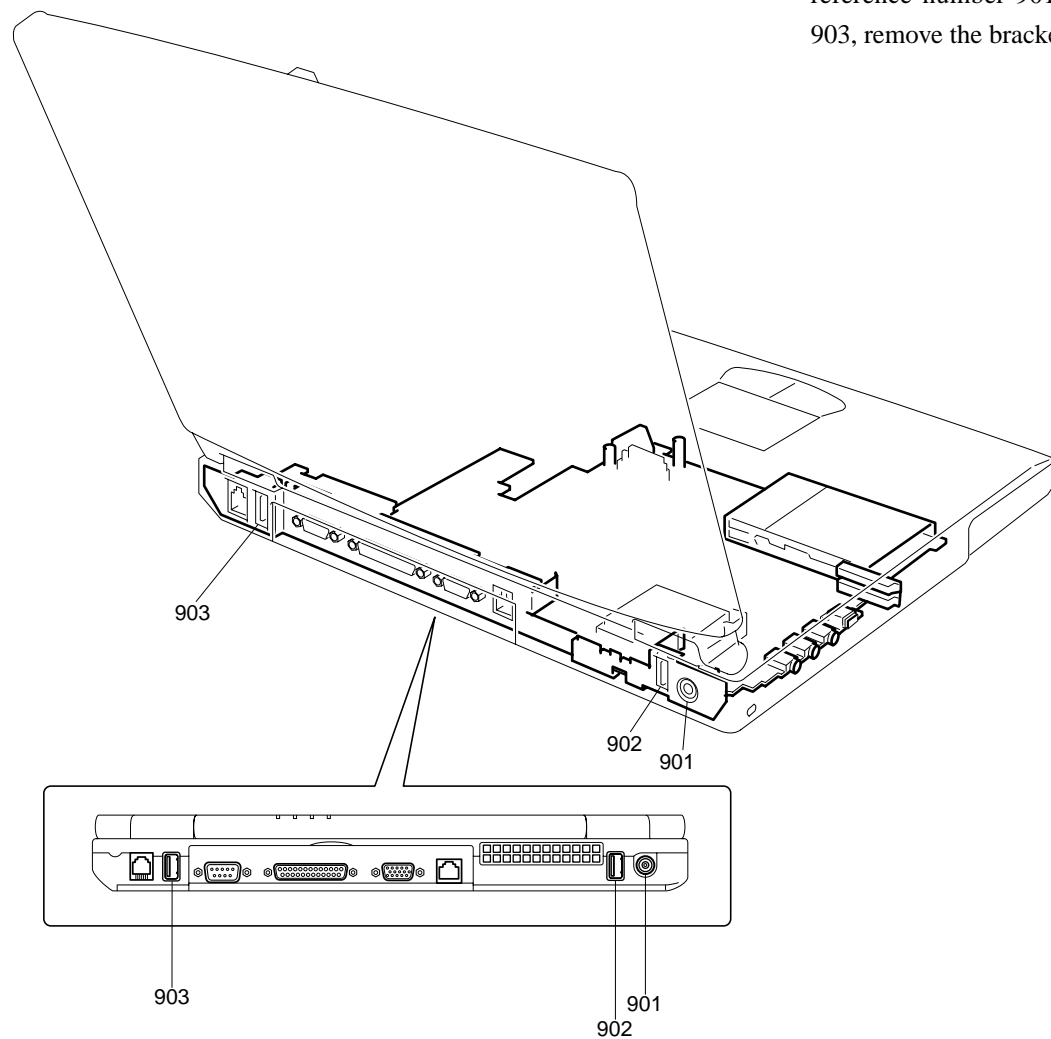
0 : ON 1 : OFF

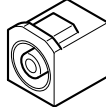
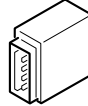
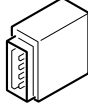
3-8(b)

3-4. Connector Section (CH Type only)



*Before replacing the connector of reference number 901, 902 and 903, remove the bracket I/O.

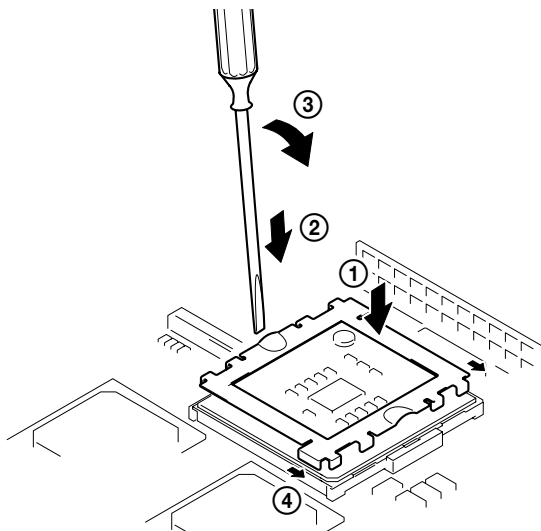


Ref.No.	Fig.	Part No.	Description
901		1-779-745-21	[CH]...JACK, DC DC IN connector
902		9-885-018-97	[CH]...CONNECTOR (1.2MM), USB USB connector
903		9-885-018-98	[CH]...CONNECTOR (1.6MM), USB USB connector

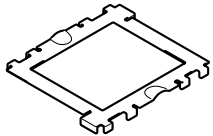
* Among the parts that are used on the boards of this model, only the connectors that are show in the list can be replaced.
(The parts other that the specified connectors cannot be replaced.)

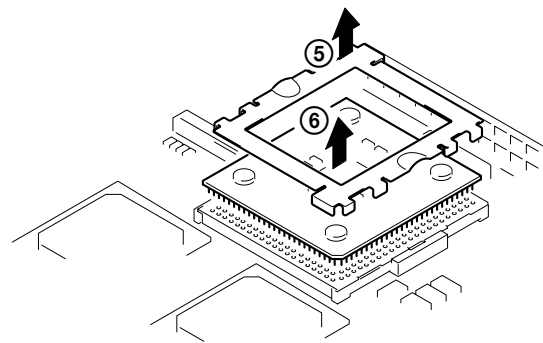
4-1. Replacing the CPU

1. Removing the CPU



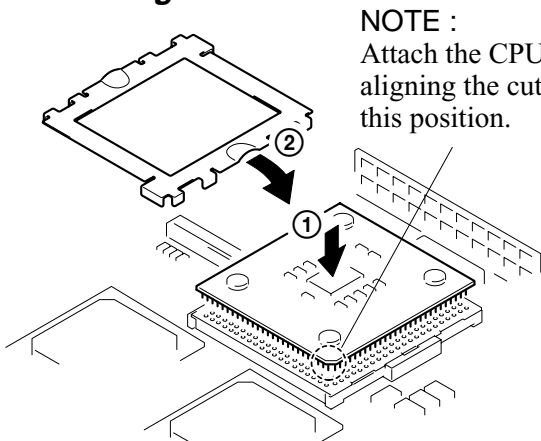
- ① Install the special tool in the CPU.
- ② Insert a flat head (-) screwdriver tip into the groove as shown.
- ③ While holding the special tool, slant the screwdriver in the direction of the arrow.
- ④ The base under the CPU moves slightly in the direction of the arrow and the CPU lock is released.

Fig.	Part No.	Description
	J-2507-309-1	JIG FOR CPU



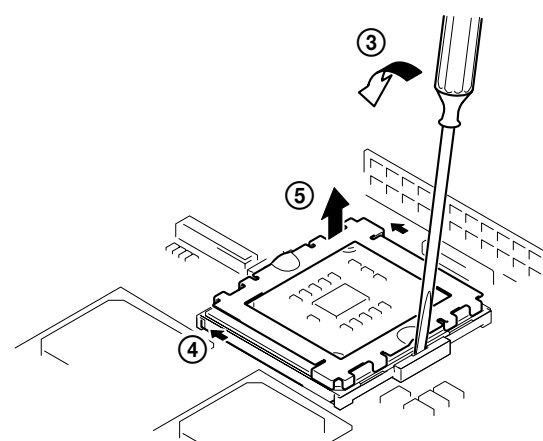
- ⑤ Remove the special tool.
- ⑥ The CPU can be removed upward.

2. Installing the CPU



NOTE :
Attach the CPU while aligning the cut-out with this position.

- ① Insert all pins of the replacement CPU into the holes of the base and push the CPU in the direction of the arrow.
- ② Install the special tool in the CPU.



- ③ Insert a flat head (-) screwdriver tip into the groove as shown. While holding the special tool, slant the screwdriver in the direction of the arrow.
- ④ The base under the CPU moves slightly in the direction of the arrow and the CPU is locked.
- ⑤ Remove the special tool.

NOTE :

- Do not use screwdrivers having a large tip than the width of the groove. Otherwise, it may cause the groove to be damaged.
- When installing the special tool in the CPU, align the convex of the base.

List of PCG-FX Series (As of July, 2002)

Model Name	Service Manual Part No.
PCG-FX190 PCG-FX170 PCG-FX150 PCG-FX140 PCG-FX120	9-872-179-11
PCG-FX190K PCG-FX170K PCG-FX150K PCG-FX140K PCG-FX120K	9-872-194-11
PCG-FX290K PCG-FX290	9-874-409-11
PCG-FX270K PCG-FX270 PCG-FX250K PCG-FX250 PCG-FX240K PCG-FX240 PCG-FX220K PCG-FX220	9-874-427-11
PCG-FX210	9-874-404-11
PCG-FX215	9-874-432-11
PCG-FX390 PCG-FX370 PCG-FX340	9-874-495-01
PCG-FXA36 PCG-FXA33 PCG-FXA32	9-874-453-01
PCG-FX410	9-874-505-01
PCG-FXA49 PCG-FXA47	9-874-507-01
PCG-FXA678	9-874-509-01
PCG-FXA53 PCG-FXA59	9-874-549-02

 : Additional Models



This manual and the constituent data may not be replicated, copied nor reprinted in whole or in part without prior written authorization of Sony Corporation.

Revision History

Suffix	Ver.	Date	Contents	QM No.
-01	Ver. 1	2002.04.26	First Edition	
-02	Ver. 2	2002.07.01	Front Page (Model Line Up), Page 3-8(a), Page 3-8(b), Back Cover	N2002_064K
< Remarks >				