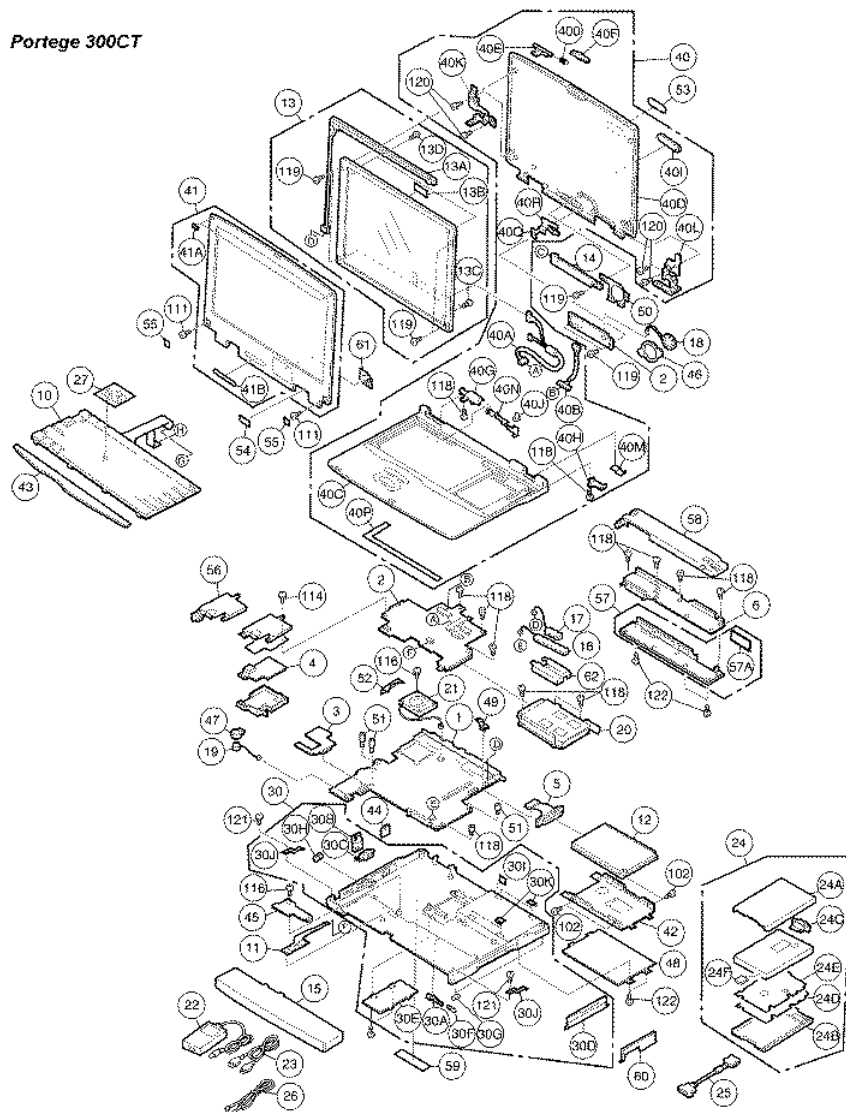


Portege 300CT



N°	Toshiba PN	Description
1	P000230180	PCB FM5SY2
1-1	P000239610	PCB FM5SY3
2a	P000234720	PCB FM5IO5
2a-1	P000234780	PCB FM5IO6
2b	P000234730	PCB FM5LE2
2b-1	P000234800	PCB FM5LE3
3	P000230200	PCB FM5SD1
1-3	P000235850	PCB FM5SD2
4	P000233680	PCB FM5DA1
5	P000230220	PCB FM5HD1
6	P000230230	PCB FM5AD1
10	P000233700	KEYBOARD UNIT
11	P000220250	MEMBRANE SWITCH
12	P000233710	HDD UNIT (1.6GB)
12A	P000244000	HDD UNIT (4.0GB)
13	P000233720	COLOR LCD MODULE
13A	P000233750	FL TUBE
13B	P000236880	TAPE SET
13C	P000236890	SCREW M2X6.4
13D	P000222410	SCREW M2X3
14	P000220160	FL INVERTER
15	PA2441UR	BATTERY PACK (2,400mAh)
16	P000218990	NI-MH BATTERY

17	P000233760	BUTTON NI-MH BATTERY
18	P000233770	SPEAKER
19	P000233780	C-MICROPHONE
20	P000233790	CARDBUS CONNECTOR
21	P000233800	34.5-7.5 DC FAN
22	PA2440U	UNIVERSAL AC ADAPTER
23	P000182200	AC CORD SET
24	P000220790	FDD UNIT
24A	P000221810	FDD COVER, UPPER
24B	P000221820	FDD COVER, LOWER
24C	P000221830	FDD CONNECTOR
24D	P000221840	FDD SHIELD
24E	P000221850	FDD INSULATOR
24F	P000227680	FDD EJECT BUTTON
25	P000220260	FDD CABLE
26	P000220300	MODULAR CABLE
27	P000231710	STICK CAP SET
30	P000233730	BASE ASSEMBLY
30-1	P000242420	BASE ASSEMBLY
30A	P000233810	BATTERY LOCK
30B	P000233820	POWER SWITCH BUTTON
30C	P000233830	SWITCH LOCK
30D	P000233840	PCMCIA COVER
30E	P000233850	MEMORY COVER ASSEMBLY
30F	P000233860	PUSH SPRING
30G	P000233870	BOTTOM CUSHION
30G-1	P000242440	BOTTOM CUSHION
30H	P000233880	SWITCH LOCK KNOB
30I	P000234030	OP HOOK SEAL
30I-1	P000242450	OP HOOK SEAL
30J	P000236450	OP EARTH SPRING
30K	P000236460	HDD EARTH
40	P000233740	COVER ASSEMBLY
40-1	P000251880	COVER ASSEMBLY
40A	P000233890	LCD HARNESS
40B	P000233900	LED HARNESS
40C	P000233910	COVER
40C-1	P000254820	SUB COVER ASSEMBLY
40D	P000233920	LCD COVER
N/S	P000261880	INSULATOR, SPACER
40E	P000233930	LCD LATCH
40F	P000233940	LCD LATCH KNOB
40G	P000233950	HINGE COVER, LEFT
40H	P000233960	HINGE COVER, RIGHT
40I	P000233970	FIR FILTER
40J	P000233980	PANEL SWITCH PIN
40K	P000233990	BRAKE HINGE, LEFT
40L	P000234000	BRAKE HINGE, RIGHT
40M	P000234010	CABLE GUIDE
40N	P000234020	PANEL SWITCH SPRING
40O	P000233860	PUSH SPRING
40P	P000236470	INSULATOR COVER
40Q	P000236480	INSULATOR
40R	P000236490	SPEAKER EARTH SPRING
41	P000234040	LCD MASK ASSEMBLY
41A	P000202500	LCD CUSHION
41B	P000236500	LCD ICON SEAL
42	P000234050	HDD BRACKET ASSEMBLY
42A	P000244670	HDD BRACKET ASSEMBLY
43	P000234060	KEYBOARD HOLDER
44	P000234070	USB COVER
45	P000234080	BATTERY CONTACT COVER
46	P000234090	SPEAKER HOLDER
47	P000234100	MIC HOLDER
48	P000234110	HDD COVER ASSEMBLY
49	P000234120	IO EARTH PLATE
49-1	P000244530	IO EARTH PLATE
50	P000234140	SPEAKER BRACKET
51	P000234160	STUD
51-1	P000242480	STUD A
52	P000234190	INSULATOR, FAN DUCT

53	P000234930	PLATE, NAME SEAL(C)
53-1	8761	PLATE, NAME SEAL(C)
54	P000234940	PLATE, NAME SEAL(M)
54-1	NP300CT	PLATE, NAME SEAL(M)
55	P000193590	LCD MASK SEAL
56	P000234170	RJ COVER ASSEMBLY
57	P000234200	BASE ASSEMBLY
57A	P000234210	EXTERNAL FDD COVER
58	P000234220	COVER ASSEMBLY
60	P000234240	PCMCIA COVER
60-1	P000244540	PCMCIA COVER
61	P000234130	SPEAKER COVER
62	P000236510	SUB BATTERY HOLDER
102	P000163450	SCREW M3X4
111	P000172160	SCREW M2.5X6Z
114	P000169570	SCREW M2X6
116	P000225470	SCREW M2X10Z
118	P000207950	SCREW M2X4Z
119	P000207940	SCREW M2X6Z
120	P000209920	SCREW M2.5X4Z
121	P000236520	SCREW M2X4Z
121-1	P000129950	SCREW M2X4Z
122	P000236530	SCREW M2X4C
122-1	P000229510	SCREW M2X4C
OPTIONS		
OP	KTT300/16	KINGSTON 16MB Memory Module
OP	KTT300/32	KINGSTON 32MB Memory Module