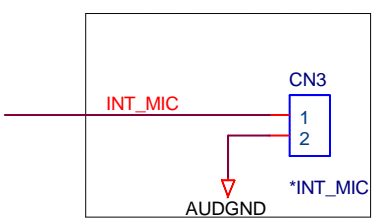
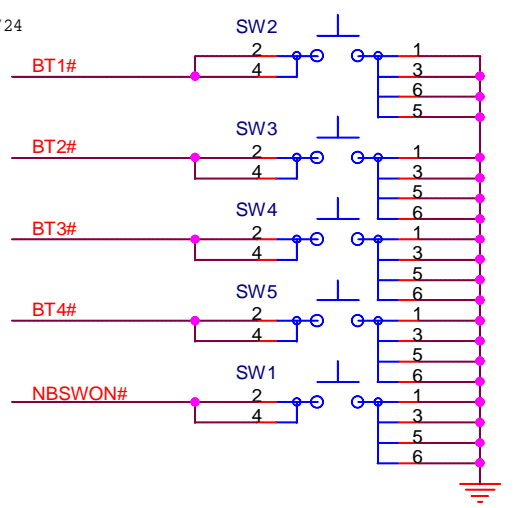
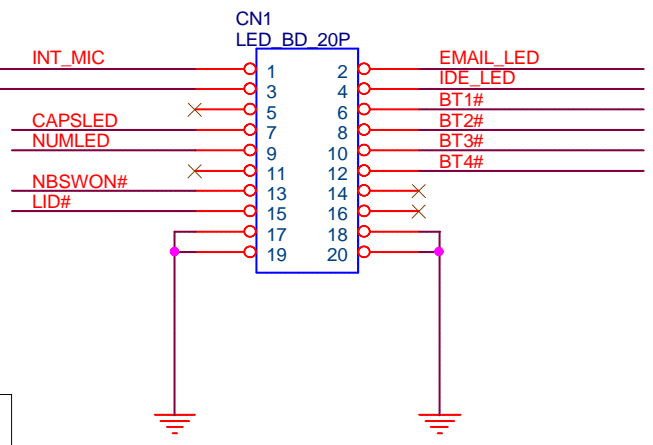
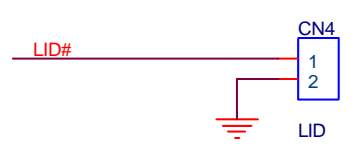


Modify Per Spec Change 09/24



Modify Per Spec Change 09/24



Size A	Document Number LED/SWITCH/KBC/TOUCHPAD	Rev 1A
Date: 星期一, 一月 06, 2003	Sheet 1 of 1	