

Compal Confidential

HCW51 Schematics Document

AMD/Sempron/ATI RS485MC/SB460

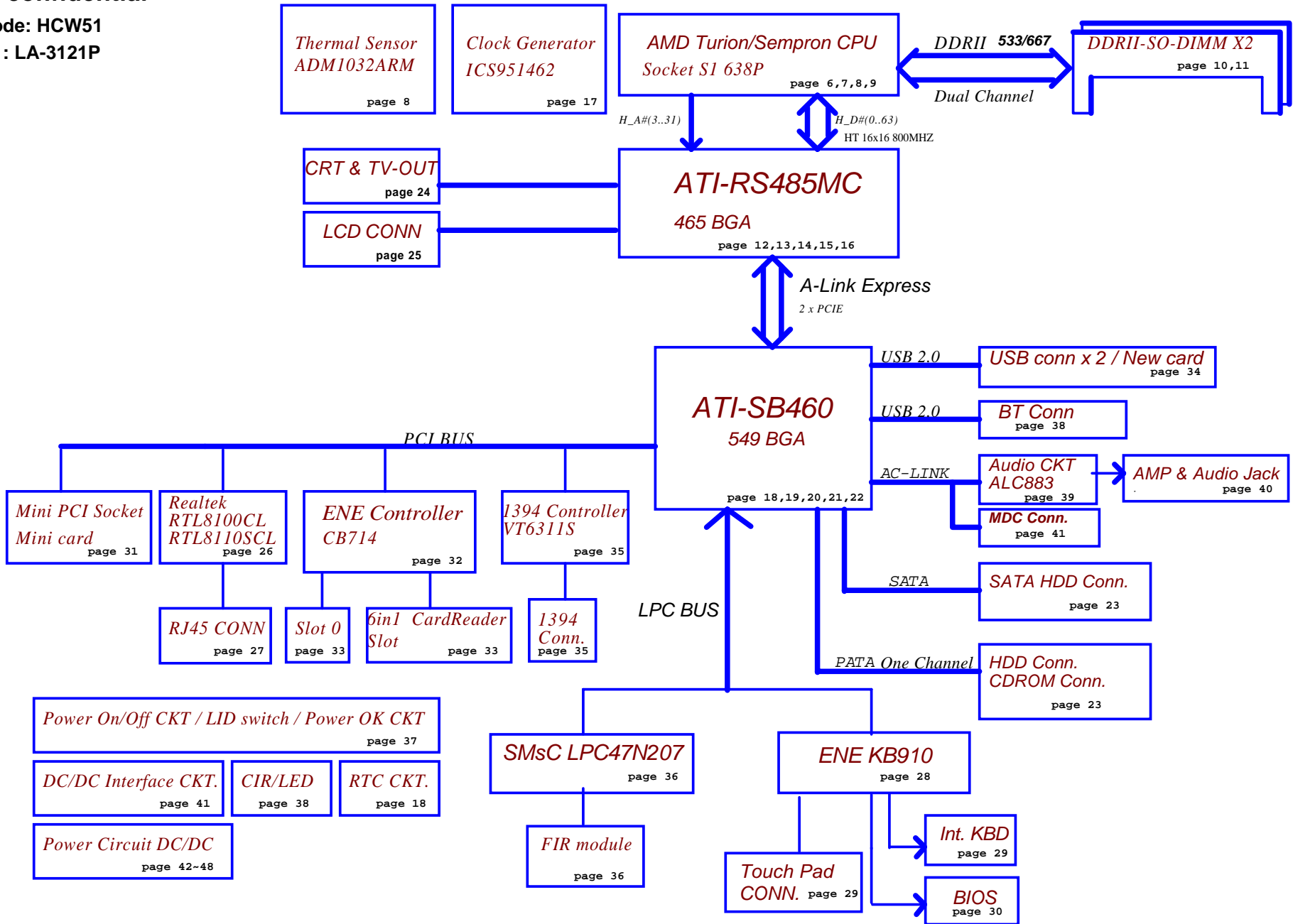
2006 / 04 / 27 Rev:1.0 FOR MP

Security Classification	Compal Secret Data			Compal Electronics, inc.		
Issued Date	2005/05/09	Deciphered Date	2006/03/08	Title	SCHEMATIC, M/B LA-3121P	
<small>THIS SHEET OF ENGINEERING DRAWING IS THE PROPRIETARY PROPERTY OF COMPAL ELECTRONICS, INC. AND CONTAINS CONFIDENTIAL AND TRADE SECRET INFORMATION. THIS SHEET MAY NOT BE TRANSFERRED FROM THE CUSTODY OF THE COMPETENT DIVISION OF R&D DEPARTMENT EXCEPT AS AUTHORIZED BY COMPAL ELECTRONICS, INC. NEITHER THIS SHEET NOR THE INFORMATION IT CONTAINS MAY BE USED BY OR DISCLOSED TO ANY THIRD PARTY WITHOUT PRIOR WRITTEN CONSENT OF COMPAL ELECTRONICS, INC.</small>				Size	Document Number	Rev
				Custom	401411	D
Date:	星期一, 五月 08, 2006	Sheet	1	of	51	

Compal confidential

Project Code: HCW51

File Name : LA-3121P



Security Classification		Compal Secret Data		Compal Electronics, inc.		
Issued Date	2005/05/09	Deciphered Date	2006/03/08			Title
THIS SHEET OF ENGINEERING DRAWING IS THE PROPRIETARY PROPERTY OF COMPAL ELECTRONICS, INC. AND CONTAINS CONFIDENTIAL AND TRADE SECRET INFORMATION. THIS SHEET MAY NOT BE TRANSFERRED FROM THE CUSTODY OF THE COMPETENT DIVISION OF R&D DEPARTMENT EXCEPT AS AUTHORIZED BY COMPAL ELECTRONICS, INC. NEITHER THIS SHEET NOR THE INFORMATION IT CONTAINS MAY BE USED BY OR DISCLOSED TO ANY THIRD PARTY WITHOUT PRIOR WRITTEN CONSENT OF COMPAL ELECTRONICS, INC.				Size	Document Number	Rev
				Date	Customer	Date

Voltage Rails

Power Plane	Description	S1	S3	S5
VIN	Adapter power supply (19V)	NA	NA	NA
B+	AC or battery power rail for power circuit.	NA	NA	NA
+CPU_CORE	Core voltage for CPU	ON	OFF	OFF
+0.9V	0.9V switched power rail for DDR terminator	ON	ON	OFF
+1.2VS	1.05V switched power rail	ON	OFF	OFF
+1.5VS	1.5V switched power rail	ON	OFF	OFF
+1.8VALW	1.8V always on power rail	ON	ON	ON*
+1.8V	1.8V power rail for DDR	ON	ON	OFF
+1.8VS	1.8V switched power rail	ON	OFF	OFF
+2.5VS	2.5V switched power rail	ON	OFF	OFF
+3VALW	3.3V always on power rail	ON	ON	ON*
+3VS	3.3V switched power rail	ON	OFF	OFF
+5VALW	5V always on power rail	ON	ON	ON*
+5VS	5V switched power rail	ON	OFF	OFF
+VSB	VSB always on power rail	ON	ON	ON*
+RTCVCC	RTC power	ON	ON	ON

Note : ON* means that this power plane is ON only with AC power available, otherwise it is OFF.

External PCI Devices

Device	IDSEL#	REQ#/GNT#	Interrupts
CardBus(SD)	AD20	2	PIRQE/PIRQH
1394	AD16	0	PIRQE
LAN(10/100)	AD17	3	PIRQF
Mini-PCI(WLAN/TV-Tuner)	AD18	1	PIRQG/PORQH

EC SM Bus1 address

Device	Address	Device	Address
Smart Battery	0001 011X b	ADM1032	1001 100X b
EEPROM(24C16/02)	1010 000X b		
(24C04)	1011 000X b		

SB460 SM Bus address

Device	Address
Clock Generator (ICS951462)	1101 001Xb
DDR DIMM0	1001 000Xb
DDR DIMM2	1001 001Xb

STATE	SIGNAL	SLP_S1#	SLP_S3#	SLP_S4#	SLP_S5#	+VALW	+V	+VS	Clock
Full ON		HIGH	HIGH	HIGH	HIGH	ON	ON	ON	ON
S1(Power On Suspend)		LOW	HIGH	HIGH	HIGH	ON	ON	ON	LOW
S3(Suspend to RAM)		LOW	LOW	HIGH	HIGH	ON	ON	OFF	OFF
S4(Suspend to Disk)		LOW	LOW	LOW	HIGH	ON	OFF	OFF	OFF
S5(Soft OFF)		LOW	LOW	LOW	LOW	ON	OFF	OFF	OFF

Board ID / SKU ID Table for AD channel

Vcc	3.3V +/- 5%			
Ra/Rc/Re	100K +/- 5%			
Board ID	Rb / Rd / Rf	VAD_BID min	VAD_BID typ	VAD_BID max
0	0	0 V	0 V	0 V
1	8.2K +/- 5%	0.216 V	0.250 V	0.289 V
2	18K +/- 5%	0.436 V	0.503 V	0.538 V
3	33K +/- 5%	0.712 V	0.819 V	0.875 V
4	56K +/- 5%	1.036 V	1.185 V	1.264 V
5	100K +/- 5%	1.453 V	1.650 V	1.759 V
6	200K +/- 5%	1.935 V	2.200 V	2.341 V
7	NC	2.500 V	3.300 V	3.300 V

BOARD ID Table

Board ID	PCB Revision
0	UMA
1	DISCRETE
2	
3	
4	
5	
6	
7	

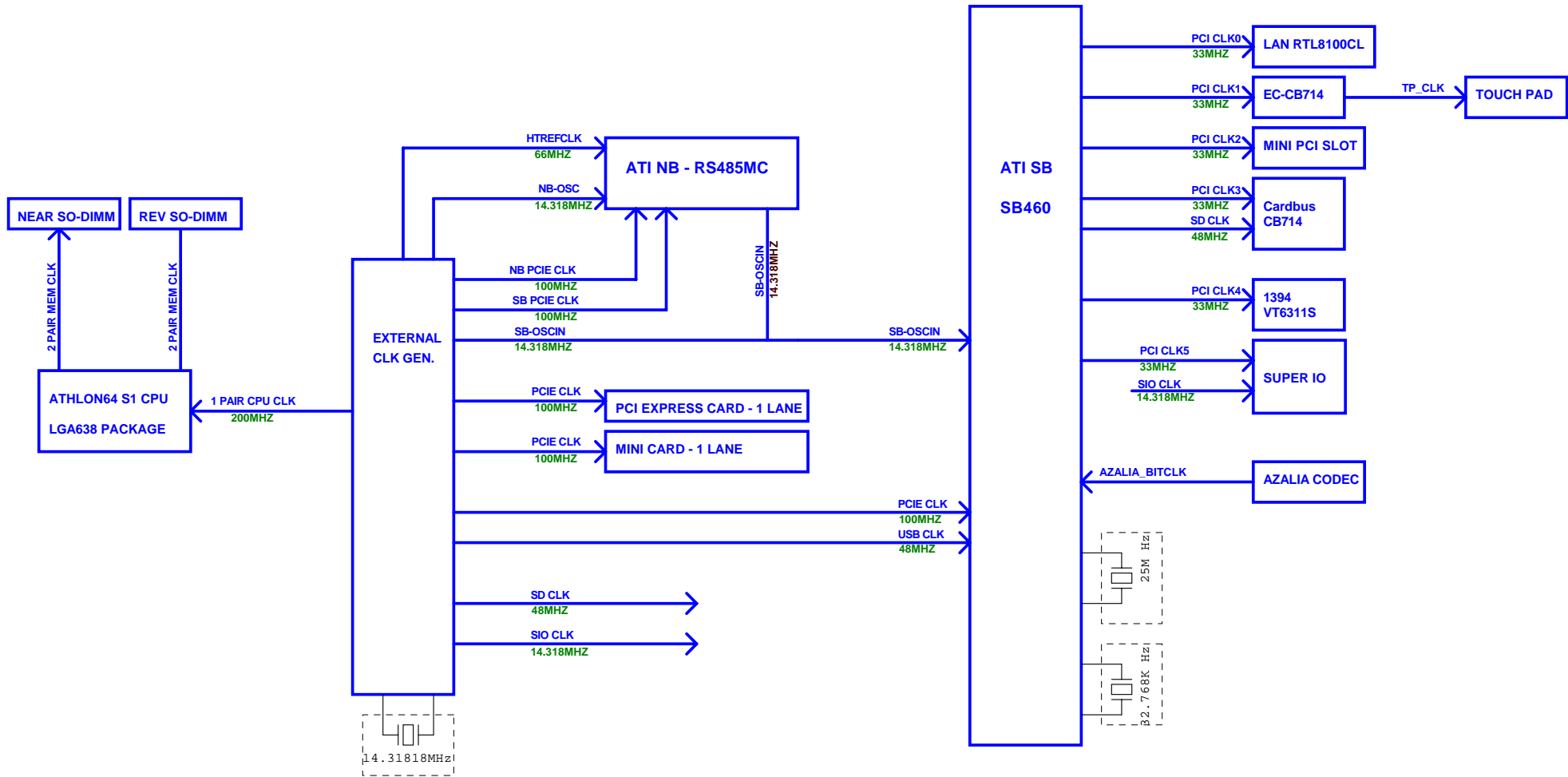
SKU ID Table

SKU ID	SKU
0	W/O SATA
1	WITH SATA
2	
3	
4	
5	
6	
7	

BTO Option Table

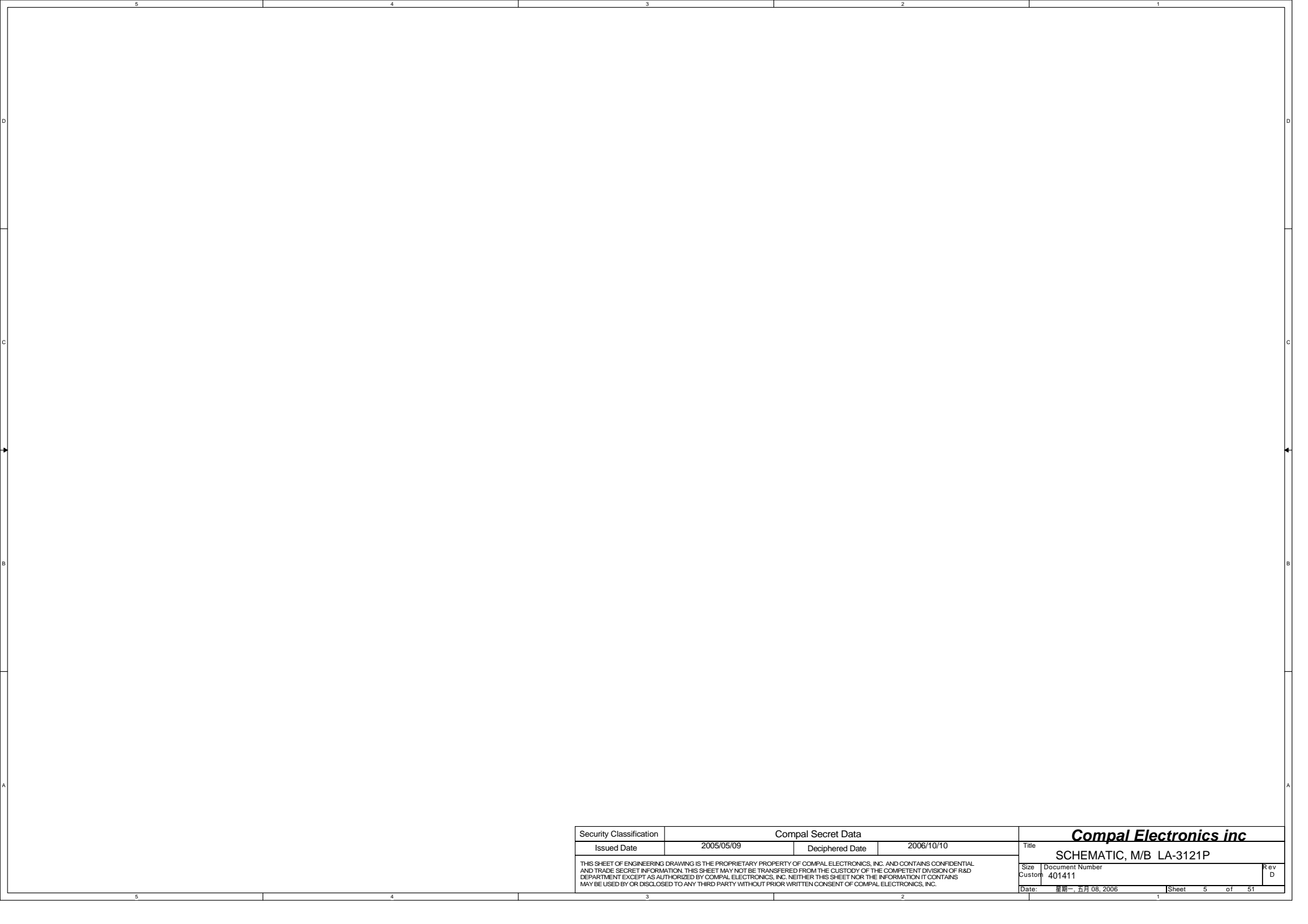
BTO Item	BOM Structure
WITH TV-OUT	TV@
WITH FIR	FIR@
WITH CARD READER	61@
WITH 1394	1394@
WITH EXPRESS CARD	EXPRESS@
WITH CIR	CIR@
WITH LAN(10/100)	100@
WITH LAN(10/100/1000)	GIGA@
WITH GIGA LAN(8110SBL)	8110SB@
WITH GIGA LAN(8110SCL)	8110SC@
WITH PATA HDD	PATA@
WITH SATA HDD	SATA@
WITH BLUETOOTH	BT@
WITH USBx2	USB2@
WITH LPC47N207	SIO1@
WITH SIO1036	SIO2@
WITH SIO BOTH	SIOALL@
WITH SSC	SPREAD@
W/O SSC	NOSPREAD@
DIP CAP	45@

Security Classification	Compal Secret Data		Title	
Issued Date	2005/05/09	Deciphered Date	2006/03/08	SCHEMATIC, M/B LA-3121P
THIS SHEET OF ENGINEERING DRAWING IS THE PROPRIETARY PROPERTY OF COMPAL ELECTRONICS, INC. AND CONTAINS CONFIDENTIAL AND TRADE SECRET INFORMATION. THIS SHEET MAY NOT BE TRANSFERRED FROM THE CUSTODY OF THE COMPETENT DIVISION OF R&D DEPARTMENT EXCEPT AS AUTHORIZED BY COMPAL ELECTRONICS, INC. NEITHER THIS SHEET NOR THE INFORMATION IT CONTAINS MAY BE USED BY OR DISCLOSED TO ANY THIRD PARTY WITHOUT PRIOR WRITTEN CONSENT OF COMPAL ELECTRONICS, INC.				Size 401411
Date:	星期一, 五月 08, 2006	Sheet	3 of 51	Rev D



Security Classification		Compal Secret Data		Title	
Issued Date	2005/05/09	Deciphered Date	2006/10/10	SCHEMATIC, M/B LA-3121P	
THIS SHEET OF ENGINEERING DRAWING IS THE PROPRIETARY PROPERTY OF COMPAL ELECTRONICS, INC. AND CONTAINS CONFIDENTIAL AND TRADE SECRET INFORMATION. THIS SHEET MAY NOT BE TRANSFERRED FROM THE CUSTODY OF THE COMPETENT DIVISION OF R&D DEPARTMENT EXCEPT AS AUTHORIZED BY COMPAL ELECTRONICS, INC. NEITHER THIS SHEET NOR THE INFORMATION IT CONTAINS MAY BE USED BY OR DISCLOSED TO ANY THIRD PARTY WITHOUT PRIOR WRITTEN CONSENT OF COMPAL ELECTRONICS, INC.				Size	Document Number
				Custom	401411
				Date:	星期一, 五月 08, 2006
				Sheet	4 of 51
				Rev	D

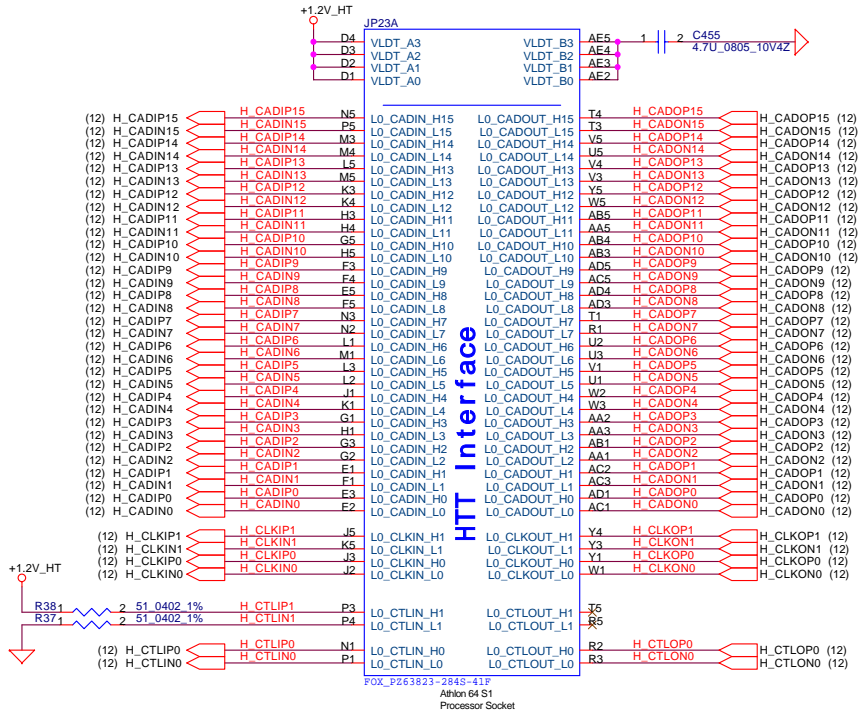
Compal Electronics inc



Security Classification		Compal Secret Data		Compal Electronics inc	
Issued Date	2005/05/09	Deciphered Date	2006/10/10	Title	SCHMATIC, M/B LA-3121P
THIS SHEET OF ENGINEERING DRAWING IS THE PROPRIETARY PROPERTY OF COMPAL ELECTRONICS, INC. AND CONTAINS CONFIDENTIAL AND TRADE SECRET INFORMATION. THIS SHEET MAY NOT BE TRANSFERRED FROM THE CUSTODY OF THE COMPETENT DIVISION OF R&D DEPARTMENT EXCEPT AS AUTHORIZED BY COMPAL ELECTRONICS, INC. NEITHER THIS SHEET NOR THE INFORMATION IT CONTAINS MAY BE USED BY OR DISCLOSED TO ANY THIRD PARTY WITHOUT PRIOR WRITTEN CONSENT OF COMPAL ELECTRONICS, INC.				Size	Document Number
				Custom	401411
Date: 星期一, 五月 08, 2006				Sheet	5 of 51

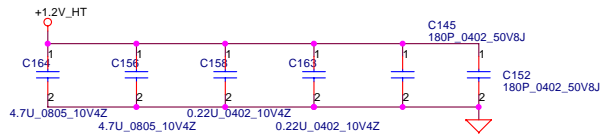
PROCESSOR HYPERTRANSPORT INTERFACE

VLDT_Ax AND VLDT_Bx ARE CONNECTED TO THE LDT_RUN POWER SUPPLY THROUGH THE PACKAGE OR ON THE DIE. IT IS ONLY CONNECTED ON THE BOARD TO DECOUPLING NEAR THE CPU PACKAGE

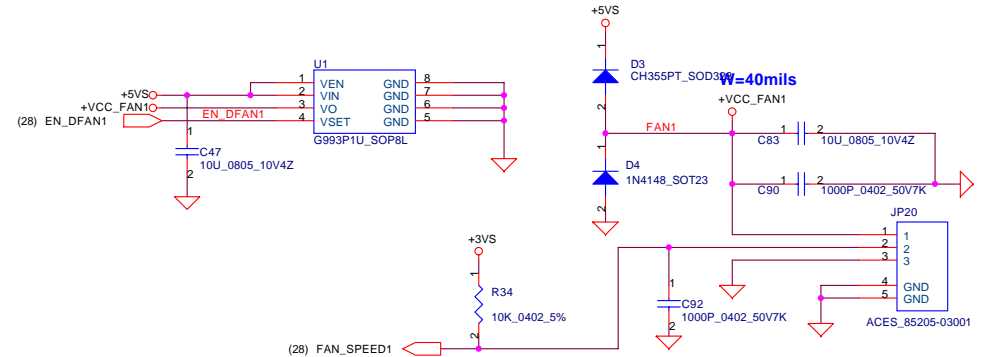


LAYOUT: Place bypass cap on topside of board

NEAR HT POWER PINS THAT ARE NOT CONNECTED DIRECTLY TO DOWNSTREAM HT DEVICE, BUT CONNECTED INTERNALLY TO OTHER HT POWER PINS
PLACE CLOSE TO VLDTO POWER PINS

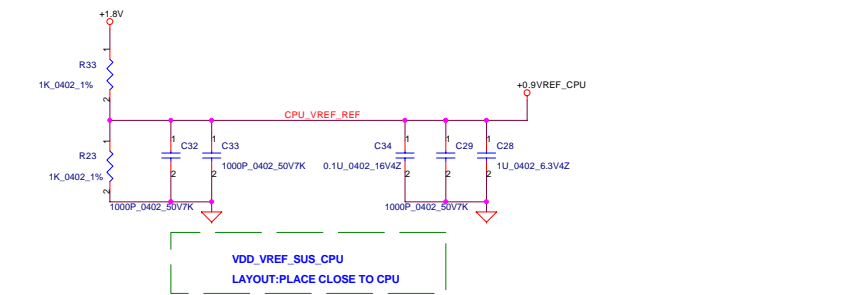
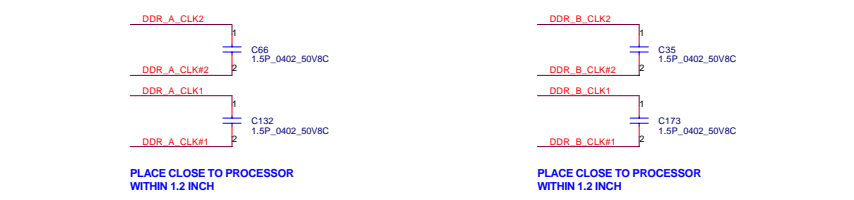
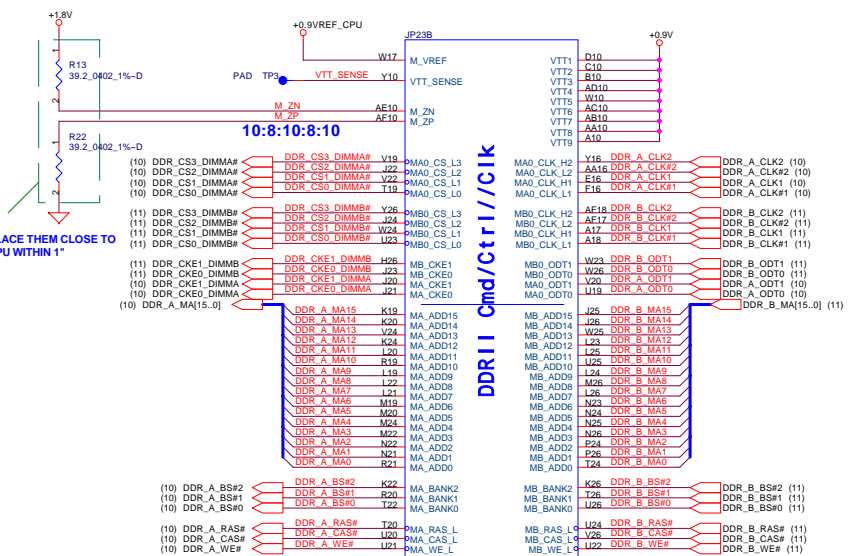


FAN Conn

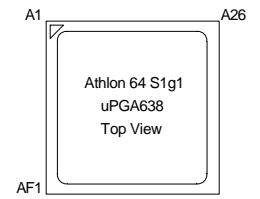
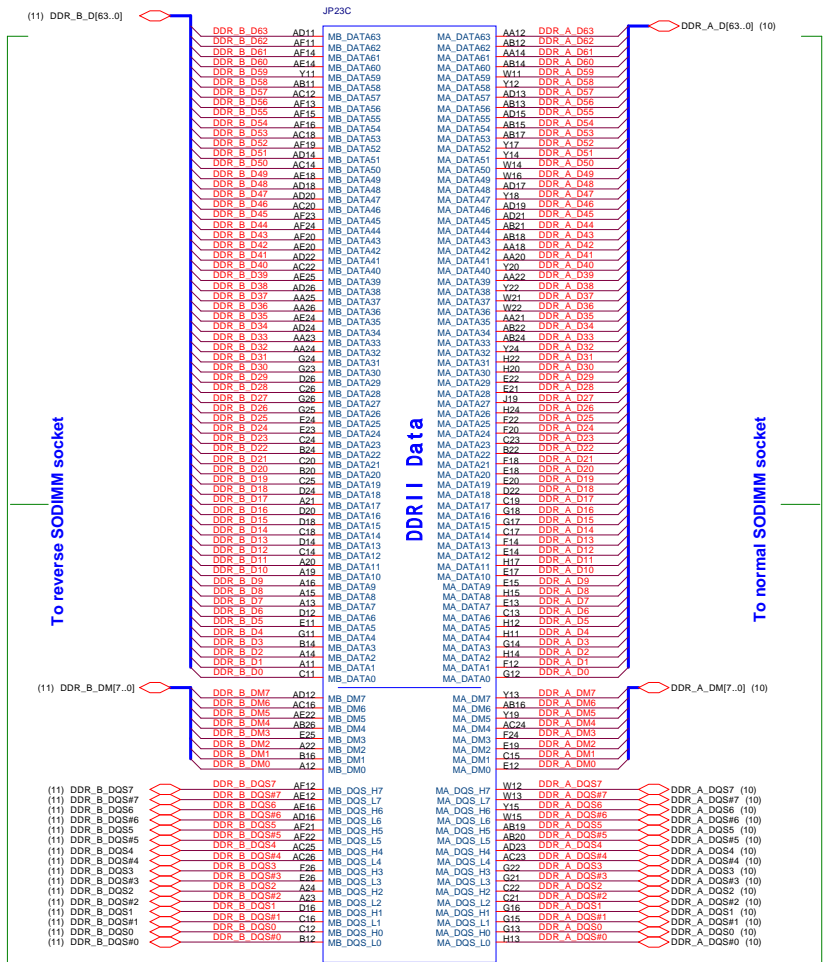


Security Classification	Compal Secret Data			Compal Electronics inc		
Issued Date	2005/05/09	Deciphered Date	2006/10/11			
THIS SHEET OF ENGINEERING DRAWING IS THE PROPRIETARY PROPERTY OF COMPAL ELECTRONICS, INC. AND CONTAINS CONFIDENTIAL AND TRADE SECRET INFORMATION. THIS SHEET MAY NOT BE TRANSFERRED FROM THE CUSTODY OF THE COMPETENT DIVISION OF R&D DEPARTMENT EXCEPT AS AUTHORIZED BY COMPAL ELECTRONICS, INC. NEITHER THIS SHEET NOR THE INFORMATION IT CONTAINS MAY BE USED BY OR DISCLOSED TO ANY THIRD PARTY WITHOUT PRIOR WRITTEN CONSENT OF COMPAL ELECTRONICS, INC.				Size	Document Number	Rev
Date:	星期一, 五月 08, 2006	Sheet	6 of 51	401411		D

VDD VTT SUS_CPU IS CONNECTED TO THE VDD VTT SUS_POWER SUPPLY THROUGH THE PACKAGE OR ON THE DIE.IT IS ONLY CONNECTED ON THE BOARD TO DECOUPLING NEAR THE CPU PACKAGE

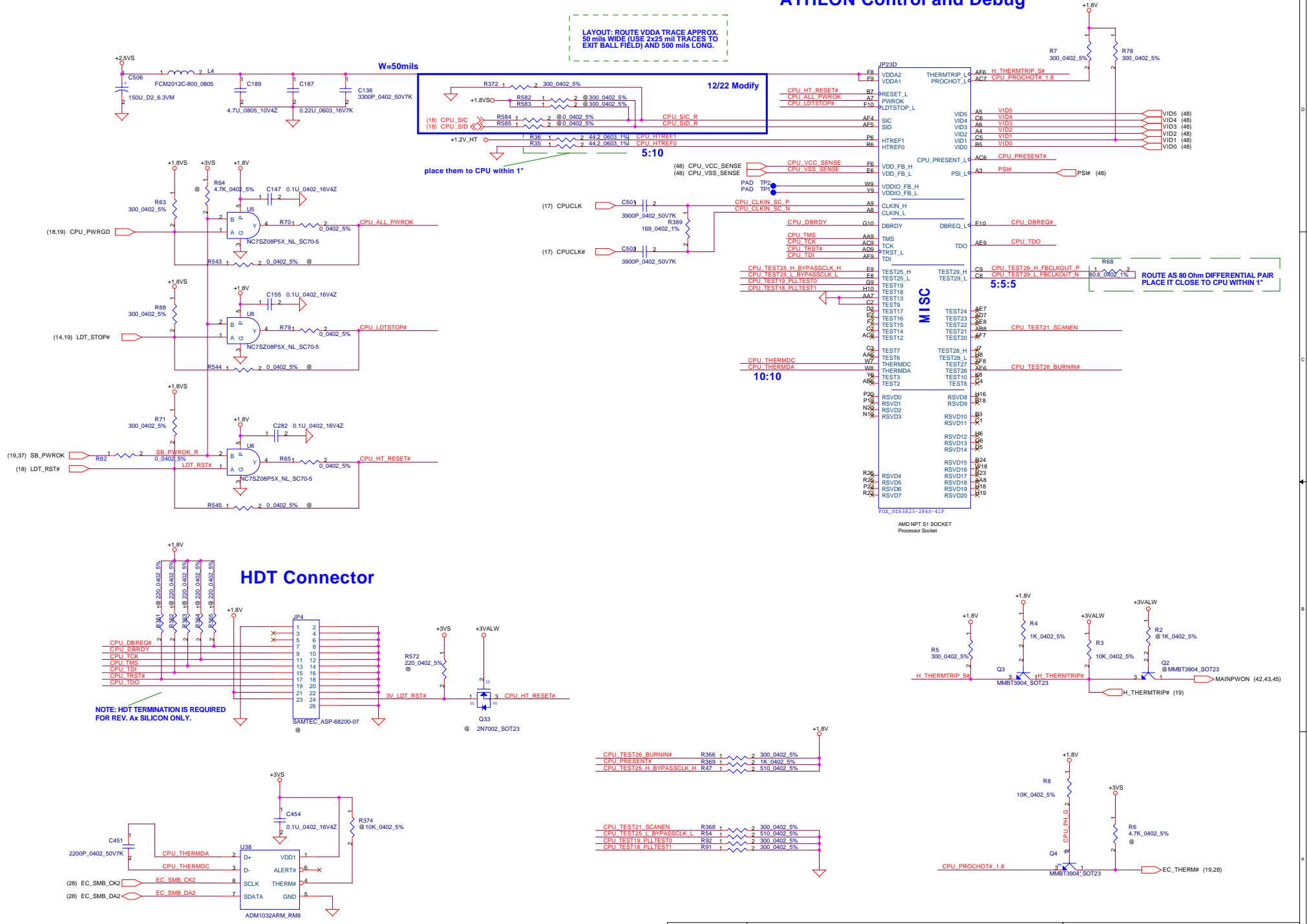


Processor DDR2 Memory Interface



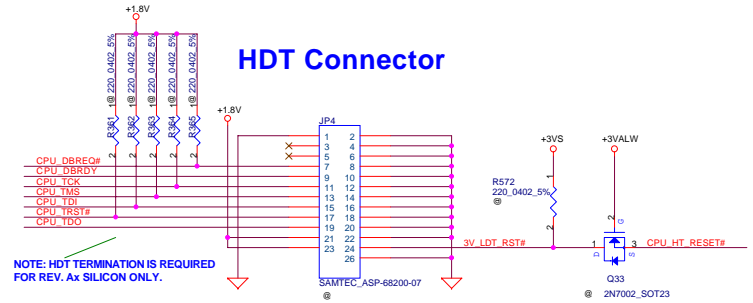
ATHLON Control and Debug

LAYOUT: ROUTE VDDA TRACE APPROX. 50 mils WIDE (USE 2x25 mil TRACES TO EXIT BALL FIELD) AND 500 mils LONG.



Security Classification	Compal Secret Data		Title		
Issued Date	2005/05/09	Deciphered Date	2006/03/08	SHEMATIC, M/B LA-3121P	
THIS SHEET OF ENGINEERING DRAWING IS THE PROPRIETARY PROPERTY OF COMPAL ELECTRONICS, INC. AND CONTAINS CONFIDENTIAL AND TRADE SECRET INFORMATION. THIS SHEET MAY NOT BE TRANSFERRED FROM THE CUSTODY OF THE COMPETENT DIVISION OF R&D DEPARTMENT EXCEPT AS AUTHORIZED BY COMPAL ELECTRONICS, INC. NEITHER THIS SHEET NOR THE INFORMATION IT CONTAINS MAY BE USED BY OR DISCLOSED TO ANY THIRD PARTY WITHOUT PRIOR WRITTEN CONSENT OF COMPAL ELECTRONICS, INC.				Size C	Document Number 401411
Date:	2006年 五月 10, 2006	Sheet	8	of 51	

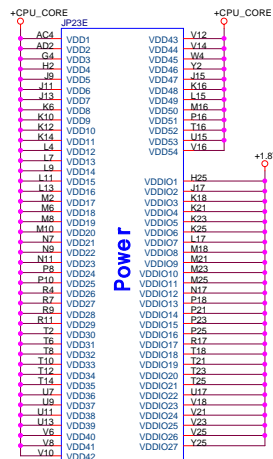
HDT Connector



NOTE: HDT TERMINATION IS REQUIRED FOR REV. Ax SILICON ONLY.

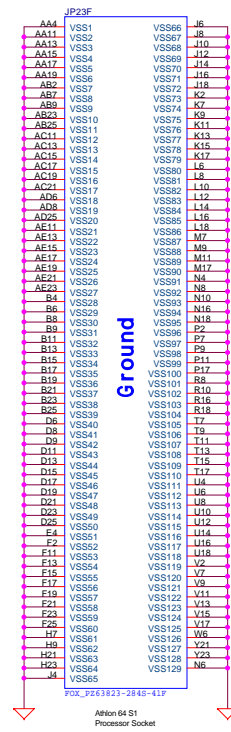
U4524 CLOSE CPU, CPU_THERMDA&CPU_THERMDC PLACE CLOSE TO PROCESSOR WITHIN 1" INCH

ROUTE AS 80 Ohm DIFFERENTIAL PAIR PLACE IT CLOSE TO CPU WITHIN 1"



Fox_P263823-2848-41F

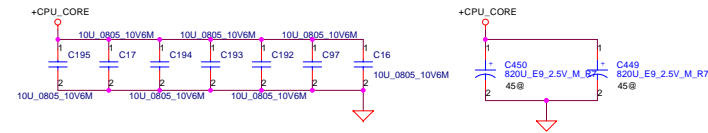
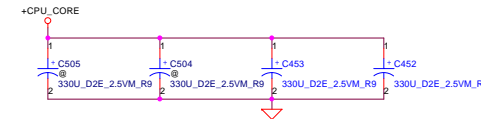
Athlon 64 S1 Processor Socket



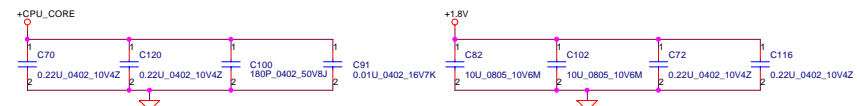
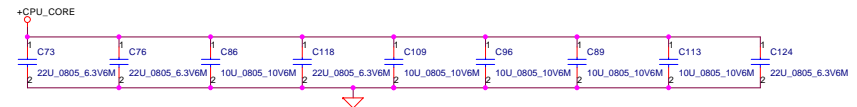
Ground

Fox_P263823-2848-41F

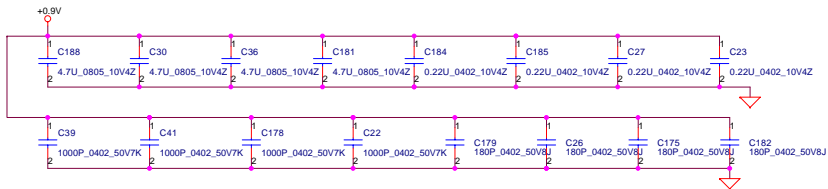
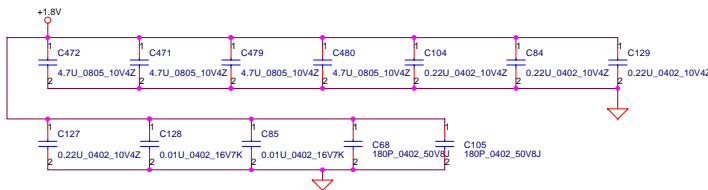
Athlon 64 S1 Processor Socket



CPU SOCKET S1 DECOUPLING



DECOUPLING BETWEEN PROCESSOR AND DIMMs PLACE CLOSE TO PROCESSOR AS POSSIBLE

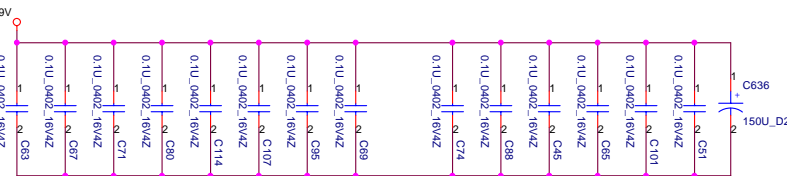
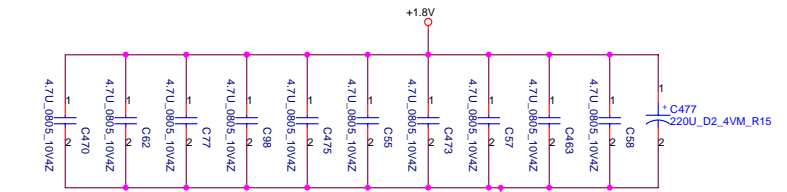
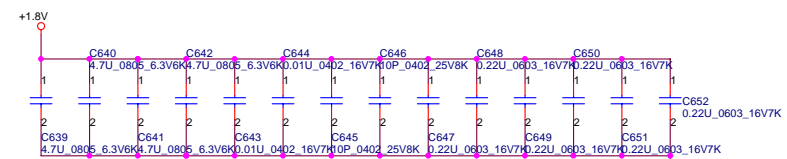
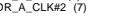
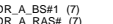
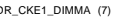
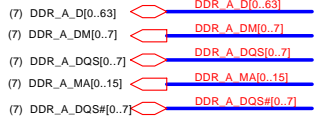
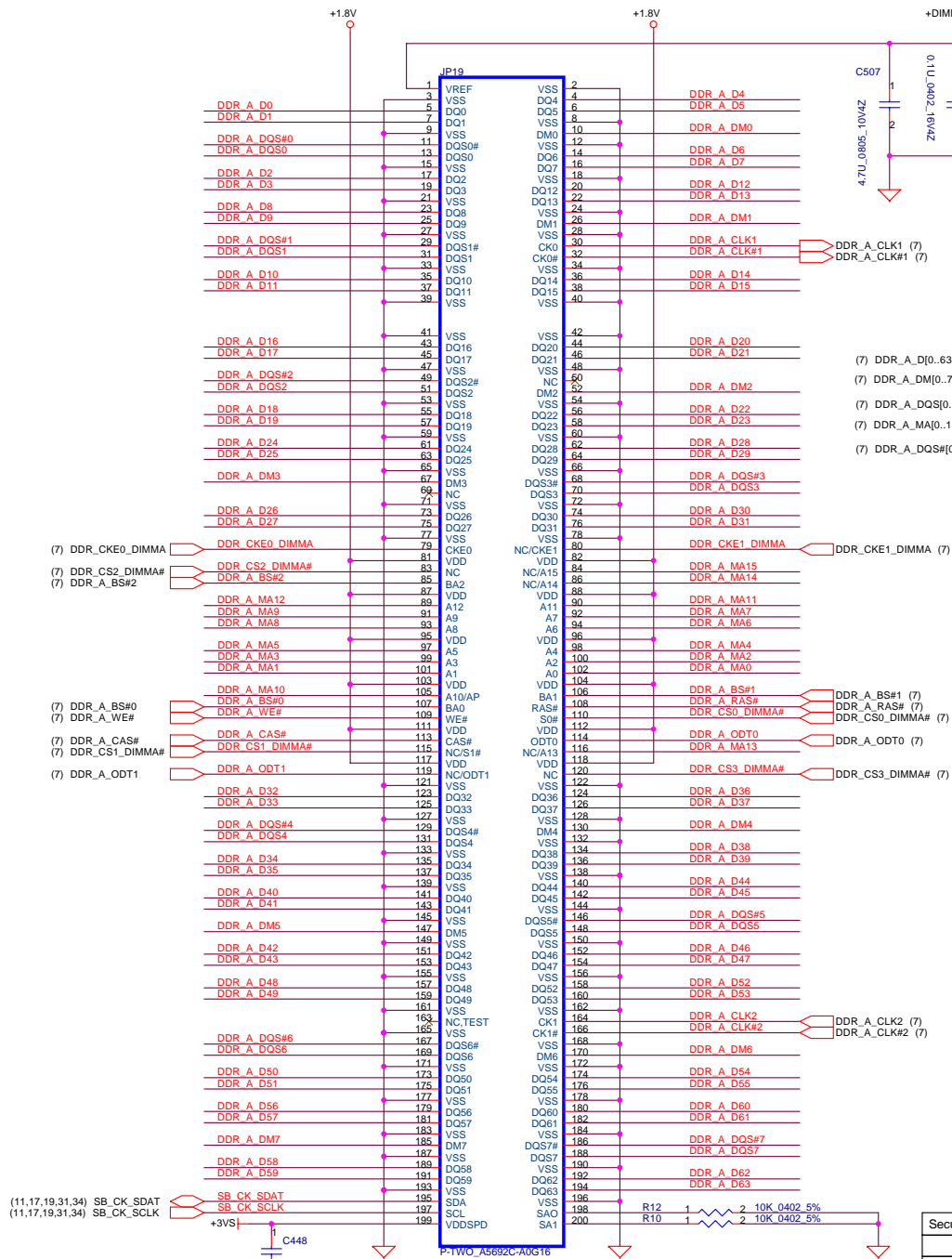


PROCESSOR POWER AND GROUND

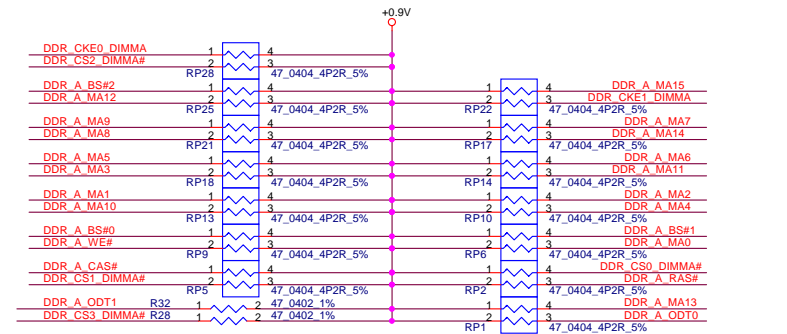


Athlon 64 S1g1
uPGA638
Top View

Security Classification	Compal Secret Data		Title	Compal Electronics, inc.	
Issued Date	2005/05/09	Deciphered Date	2006/03/08	SCHEMATIC, M/B LA-3121P	
THIS SHEET OF ENGINEERING DRAWING IS THE PROPRIETARY PROPERTY OF COMPAL ELECTRONICS, INC. AND CONTAINS CONFIDENTIAL AND TRADE SECRET INFORMATION. THIS SHEET MAY NOT BE TRANSFERRED FROM THE CUSTODY OF THE COMPETENT DIVISION OF R&D DEPARTMENT EXCEPT AS AUTHORIZED BY COMPAL ELECTRONICS, INC. NEITHER THIS SHEET NOR THE INFORMATION IT CONTAINS MAY BE USED BY OR DISCLOSED TO ANY THIRD PARTY WITHOUT PRIOR WRITTEN CONSENT OF COMPAL ELECTRONICS, INC.			Size	Document Number	Rev
			C	401411	D
			Date:	2006年5月10日	Sheet 9 of 51

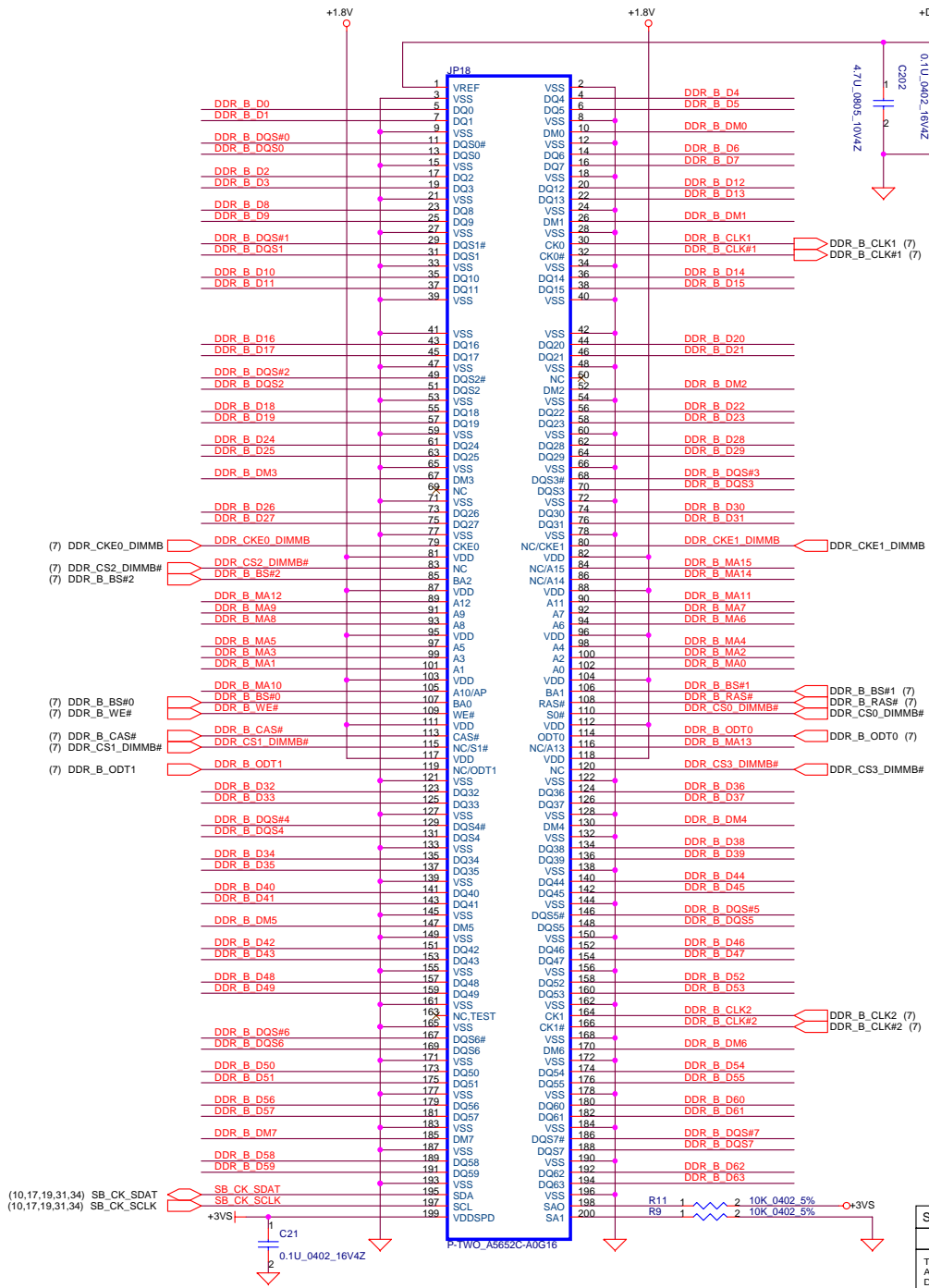


Layout Note:
Place one cap close to every 2 pullup resistors terminated to +0.9V

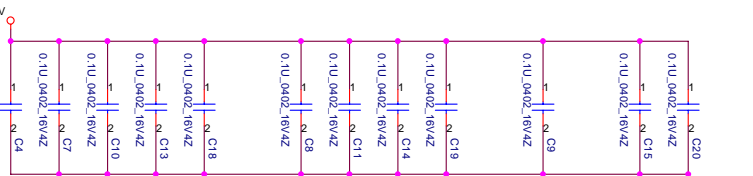
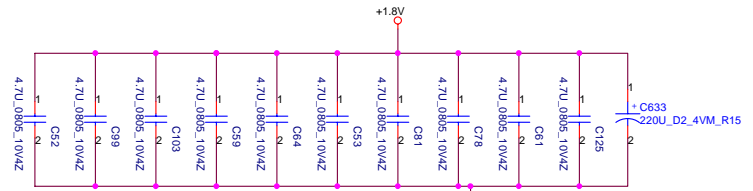


Layout Note:
Place one 0.1uF cap close to every 2 pullup resistors terminated to +0.9V

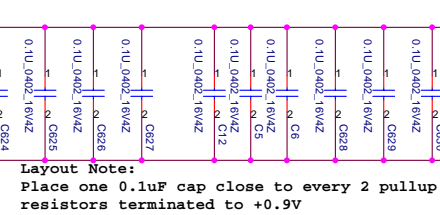
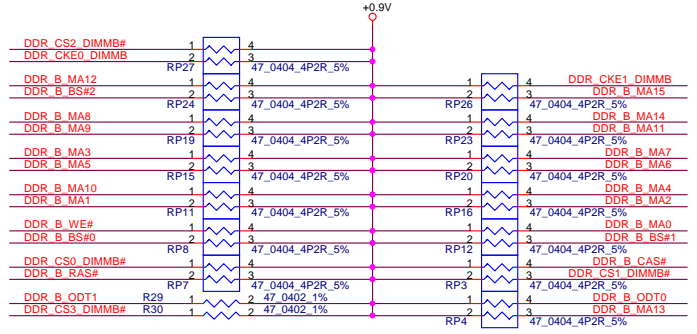
Security Classification		Compal Secret Data		Title	
Issued Date	2005/05/09	Deciphered Date	2006/10/11	SCHEMATIC, M/B LA-3121P	
THIS SHEET OF ENGINEERING DRAWING IS THE PROPRIETARY PROPERTY OF COMPAL ELECTRONICS, INC. AND CONTAINS CONFIDENTIAL AND TRADE SECRET INFORMATION. THIS SHEET MAY NOT BE REPRODUCED OR TRANSMITTED IN ANY FORM OR BY ANY MEANS, ELECTRONIC OR MECHANICAL, INCLUDING PHOTOCOPYING, RECORDING, OR BY ANY INFORMATION STORAGE AND RETRIEVAL SYSTEM, WITHOUT THE WRITTEN PERMISSION OF COMPAL ELECTRONICS, INC.				Size	Document Number
				401411	Rev D
				Date: 星期三, 五月 10, 2006	Sheet 10 of 51



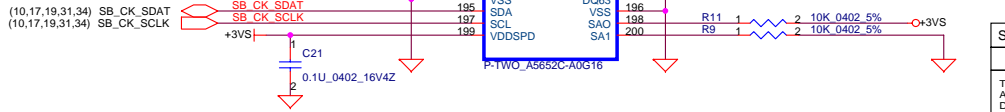
- (7) DDR_B_D[0..63]
- (7) DDR_B_DM[0..7]
- (7) DDR_B_DQS[0..7]
- (7) DDR_B_MA[0..15]
- (7) DDR_B_DQS#[0..7]



Layout Note:
Place one cap close to every 2 pullup resistors terminated to +0.9V



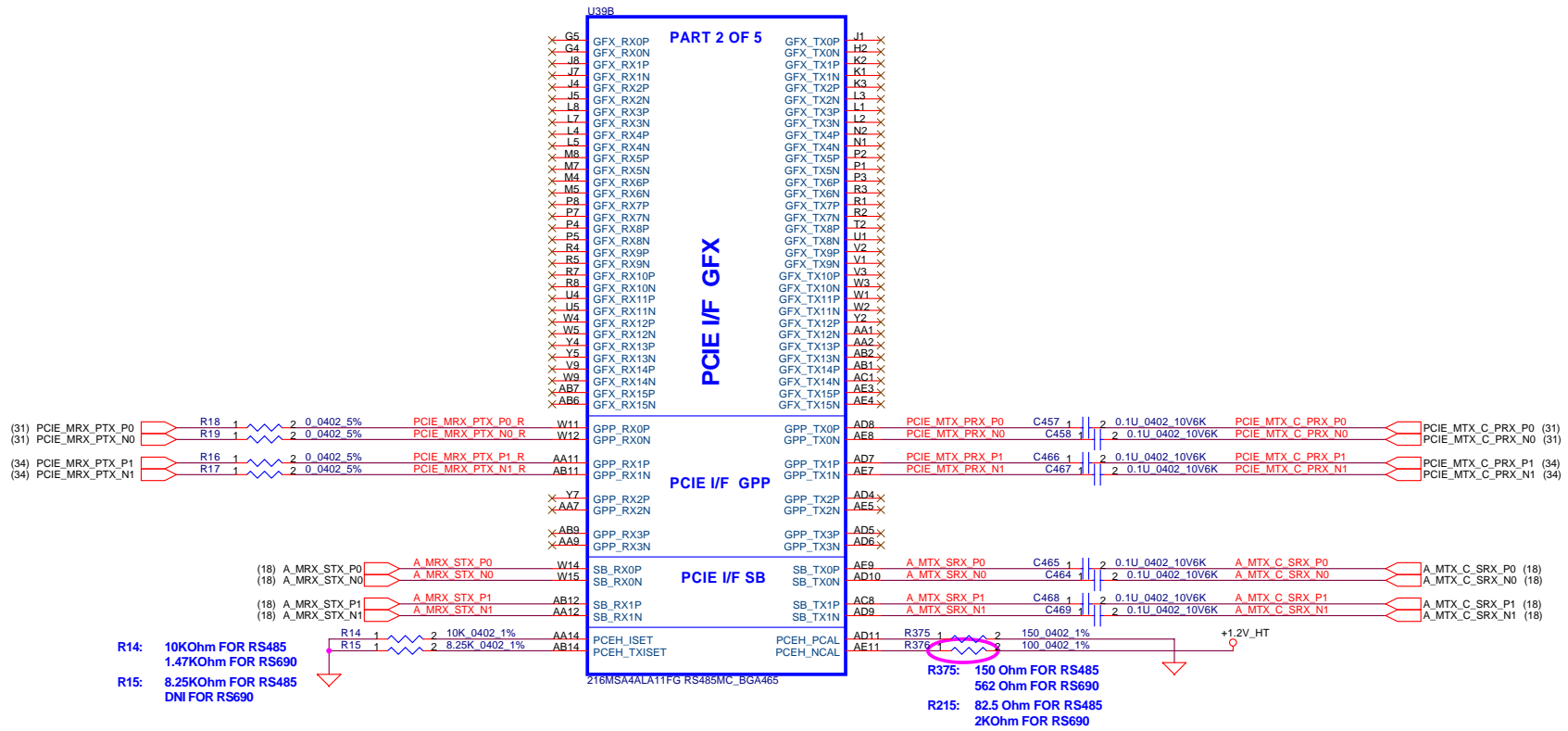
Layout Note:
Place one 0.1uF cap close to every 2 pullup resistors terminated to +0.9V



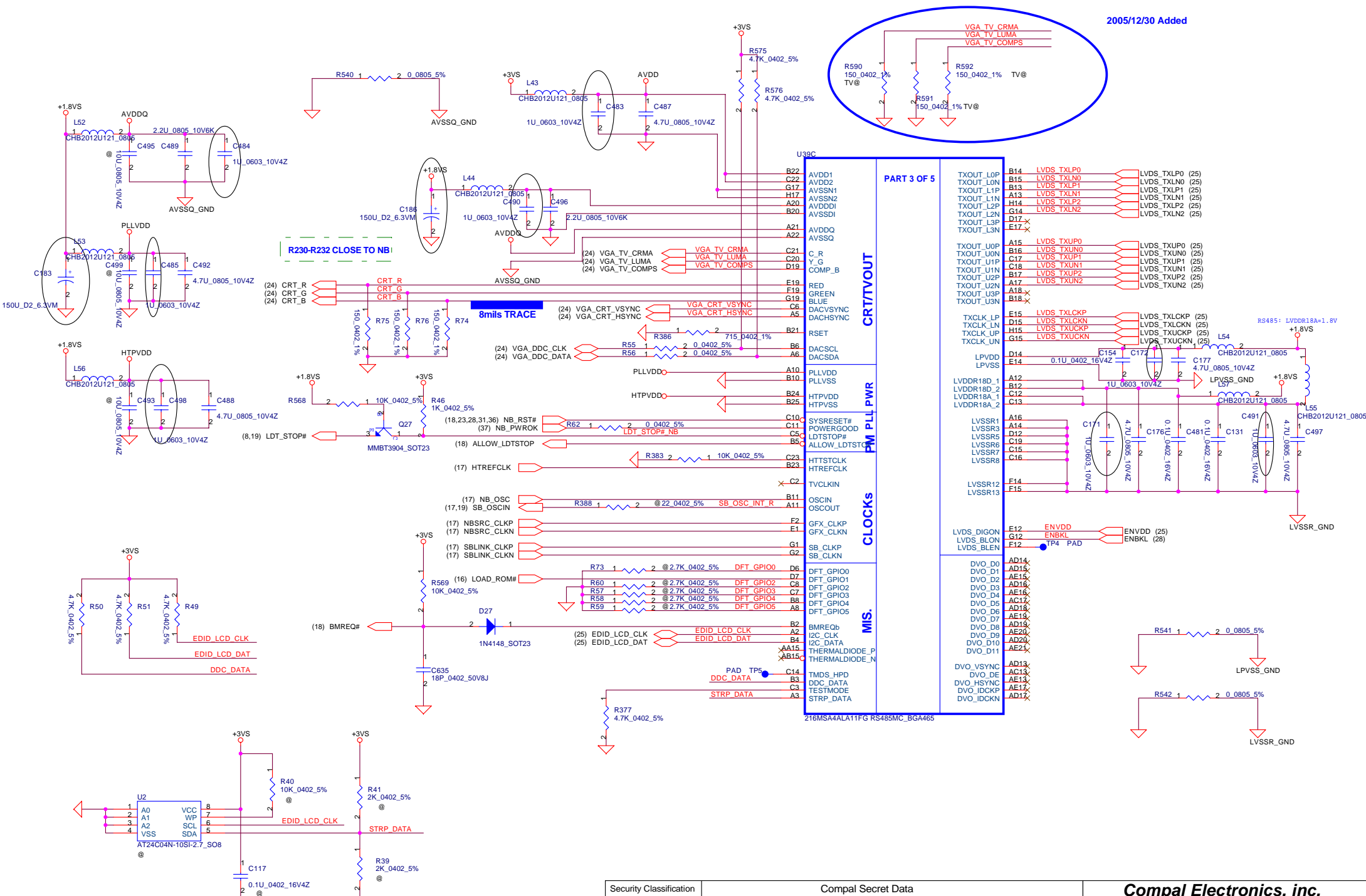
Security Classification		Compal Secret Data		Title	
Issued Date	2005/05/09	Deciphered Date	2006/10/11	Schematic, M/B LA-3121P	
THIS SHEET OF ENGINEERING DRAWING IS THE PROPRIETARY PROPERTY OF COMPAL ELECTRONICS, INC. AND CONTAINS CONFIDENTIAL AND TRADE SECRET INFORMATION. THIS SHEET MAY NOT BE TRANSFERRED FROM THE CUSTODY OF THE COMPETENT DIVISION OF R&D DEPARTMENT EXCEPT AS AUTHORIZED BY COMPAL ELECTRONICS, INC. NEITHER THIS SHEET NOR THE INFORMATION IT CONTAINS MAY BE USED BY OR DISCLOSED TO ANY THIRD PARTY WITHOUT PRIOR WRITTEN CONSENT OF COMPAL ELECTRONICS, INC.				Size	Rev
				401411	D
				Date: 星期三, 五月 10, 2006	Sheet 11 of 51



Security Classification		Compal Secret Data		Compal Electronics, inc. Title: SCHEMATIC, M/B LA-3121P	
Issued Date	2005/05/09	Deciphered Date	2006/03/08		
THIS SHEET OF ENGINEERING DRAWING IS THE PROPRIETARY PROPERTY OF COMPAL ELECTRONICS, INC. AND CONTAINS CONFIDENTIAL AND TRADE SECRET INFORMATION. THIS SHEET MAY NOT BE TRANSFERRED FROM THE CUSTODY OF THE COMPETENT DIVISION OF R&D DEPARTMENT EXCEPT AS AUTHORIZED BY COMPAL ELECTRONICS, INC. NEITHER THIS SHEET NOR THE INFORMATION IT CONTAINS MAY BE USED BY OR DISCLOSED TO ANY THIRD PARTY WITHOUT PRIOR WRITTEN CONSENT OF COMPAL ELECTRONICS, INC.					
Date:	星期三, 五月 10, 2006	Sheet	12	of	51



Security Classification		Compal Secret Data		Title	
Issued Date	2005/05/09	Deciphered Date	2006/03/08	SCHEMATIC, M/B LA-3121P	
THIS SHEET OF ENGINEERING DRAWING IS THE PROPRIETARY PROPERTY OF COMPAL ELECTRONICS, INC. AND CONTAINS CONFIDENTIAL AND TRADE SECRET INFORMATION. THIS SHEET MAY NOT BE TRANSFERRED FROM THE CUSTODY OF THE COMPETENT DIVISION OF R&D DEPARTMENT EXCEPT AS AUTHORIZED BY COMPAL ELECTRONICS, INC. NEITHER THIS SHEET NOR THE INFORMATION IT CONTAINS MAY BE USED BY OR DISCLOSED TO ANY THIRD PARTY WITHOUT PRIOR WRITTEN CONSENT OF COMPAL ELECTRONICS, INC.				Size	Document Number
				Custom	401411
				Date:	星期三, 五月 10, 2006
				Sheet	13 of 51
				Rev	D



PART 3 OF 5

CRTC/OUT

PM PLL PWR

CLOCKS

MIS.

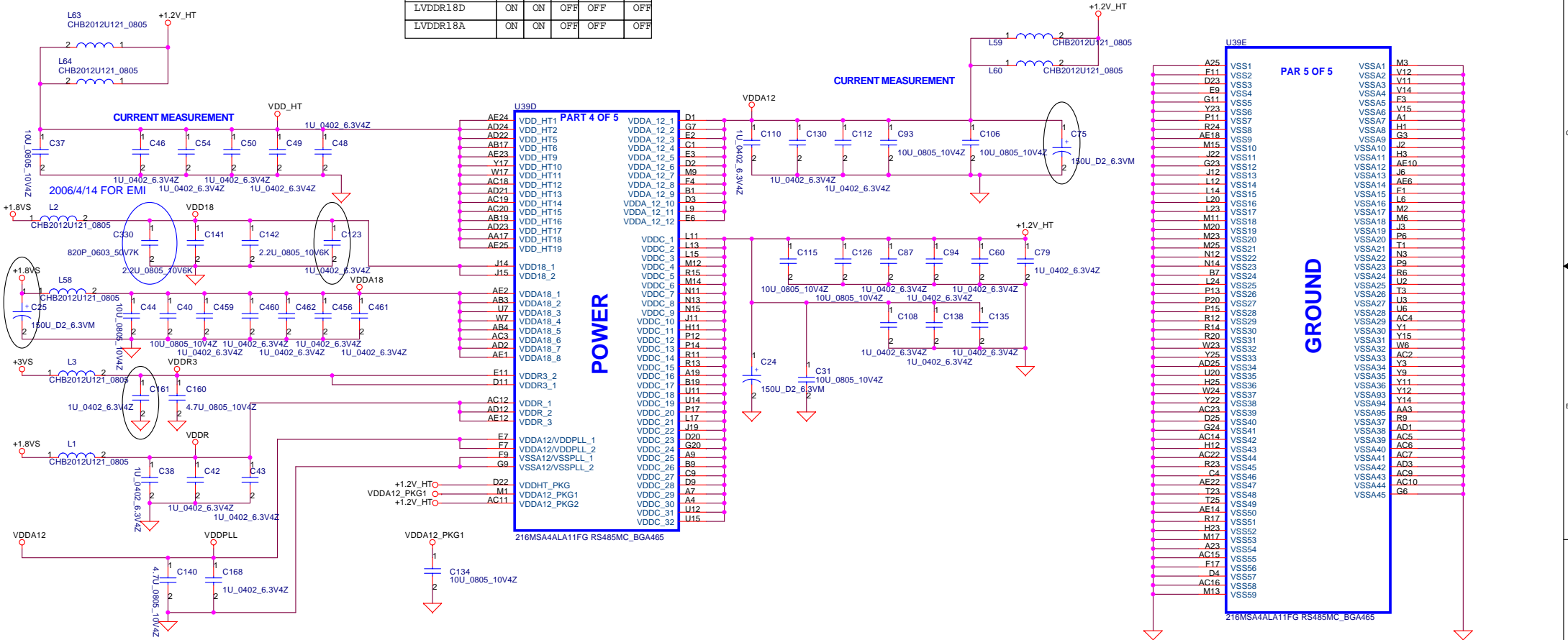
B14	LVDS_TXLP0	LVDS_TXLP0 (25)
B15	LVDS_TXLP1	LVDS_TXLP1 (25)
B13	LVDS_TXLP0	LVDS_TXLP0 (25)
A13	LVDS_TXLN1	LVDS_TXLN1 (25)
H14	LVDS_TXLP2	LVDS_TXLP2 (25)
G14	LVDS_TXLN2	LVDS_TXLN2 (25)
E17		
E17		
A15	LVDS_TXUP0	LVDS_TXUP0 (25)
B16	LVDS_TXUN0	LVDS_TXUN0 (25)
C17	LVDS_TXUP1	LVDS_TXUP1 (25)
C18	LVDS_TXUN1	LVDS_TXUN1 (25)
B17	LVDS_TXUP2	LVDS_TXUP2 (25)
A17	LVDS_TXUN2	LVDS_TXUN2 (25)
A18		
E17		
E17		
E15	LVDS_TXLCKP	LVDS_TXLCKP (25)
D15	LVDS_TXLCKN	LVDS_TXLCKN (25)
H15	LVDS_TXUCKP	LVDS_TXUCKP (25)
H15	LVDS_TXUCKN	LVDS_TXUCKN (25)
D14	LPVDD	LPVDD (25)
E14	LPVSS	LPVSS (25)
A12	LVDDR18D_1	LVDDR18D_1 (25)
B12	LVDDR18D_2	LVDDR18D_2 (25)
C12	LVDDR18A_1	LVDDR18A_1 (25)
C13	LVDDR18A_2	LVDDR18A_2 (25)
A14	LVSSR1	LVSSR1 (25)
A14	LVSSR2	LVSSR2 (25)
D12	LVSSR5	LVSSR5 (25)
C19	LVSSR6	LVSSR6 (25)
C15	LVSSR7	LVSSR7 (25)
C16	LVSSR8	LVSSR8 (25)
E14	LVSSR12	LVSSR12 (25)
F15	LVSSR13	LVSSR13 (25)
E12	ENVDD	ENVDD (25)
G12	ENBKL	ENBKL (28)
E12	TP4 PAD	
AD14	DVO_D0	DVO_D0 (25)
AD14	DVO_D1	DVO_D1 (25)
AD15	DVO_D2	DVO_D2 (25)
AD16	DVO_D3	DVO_D3 (25)
AD16	DVO_D4	DVO_D4 (25)
AC12	DVO_D5	DVO_D5 (25)
AD18	DVO_D6	DVO_D6 (25)
AD19	DVO_D7	DVO_D7 (25)
AE20	DVO_D8	DVO_D8 (25)
AD20	DVO_D9	DVO_D9 (25)
AE21	DVO_D10	DVO_D10 (25)
AE22	DVO_D11	DVO_D11 (25)
AD13	DVO_VSYNC	DVO_VSYNC (25)
AC13	DVO_DE	DVO_DE (25)
AE13	DVO_HSYNC	DVO_HSYNC (25)
AE14	DVO_IDCKP	DVO_IDCKP (25)
AD15	DVO_IDCKN	DVO_IDCKN (25)

NOTE: ACCESS TO STRAP_DATA and I2C_CLK_PINS IS MANDATORY.

Security Classification		Compal Secret Data		Title	
Issued Date	2005/05/09	Deciphered Date	2006/03/08	SCHEMATIC, M/B LA-3121P	
THIS SHEET OF ENGINEERING DRAWING IS THE PROPRIETARY PROPERTY OF COMPAL ELECTRONICS, INC. AND CONTAINS CONFIDENTIAL AND TRADE SECRET INFORMATION. THIS SHEET MAY NOT BE TRANSFERRED FROM THE CUSTODY OF THE COMPETENT DIVISION OF R&D DEPARTMENT EXCEPT AS AUTHORIZED BY COMPAL ELECTRONICS, INC. NEITHER THIS SHEET NOR THE INFORMATION IT CONTAINS MAY BE USED BY OR DISCLOSED TO ANY THIRD PARTY WITHOUT PRIOR WRITTEN CONSENT OF COMPAL ELECTRONICS, INC.					
Size	Document Number	Rev	D		
Custom	401411				
Date:	星期三, 五月 10, 2006	Sheet	14	of	51

NB RS485 POWER STATES

Power Signal	S0	S1	S3	S4/S5	G3
VDDHT	ON	ON	OFF	OFF	OFF
VDDR	ON	ON	OFF	OFF	OFF
VDD18	ON	ON	OFF	OFF	OFF
VDDC	ON	ON	OFF	OFF	OFF
VDDA18	ON	ON	OFF	OFF	OFF
VDDA12	ON	ON	OFF	OFF	OFF
AVDD	ON	ON	OFF	OFF	OFF
AVDDDI	ON	ON	OFF	OFF	OFF
PLLVD	ON	ON	OFF	OFF	OFF
HTPVDD	ON	ON	OFF	OFF	OFF
VDDR3	ON	ON	OFF	OFF	OFF
LPVDD	ON	ON	OFF	OFF	OFF
LVDDR18D	ON	ON	OFF	OFF	OFF
LVDDR18A	ON	ON	OFF	OFF	OFF



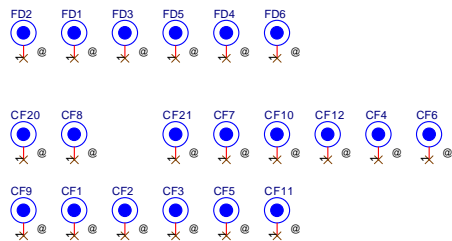
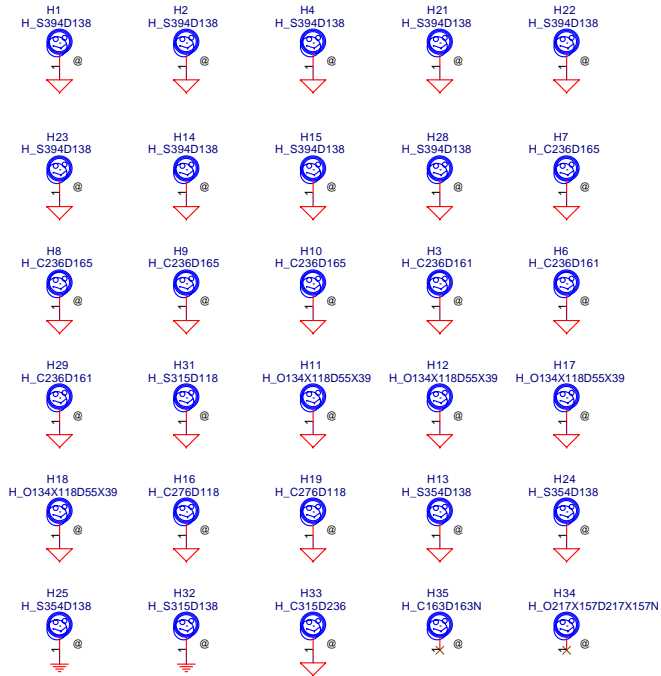
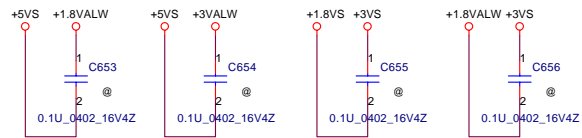
RS485: 0 Ohm RESISTOR
RS690: 220 Ohm 500mA FERRITE BEAD

Security Classification	Compal Secret Data		Title	
Issued Date	2005/05/09	Deciphered Date	2006/10/10	Compal Electronics, inc.
THIS SHEET OF ENGINEERING DRAWING IS THE PROPRIETARY PROPERTY OF COMPAL ELECTRONICS, INC. AND CONTAINS CONFIDENTIAL AND TRADE SECRET INFORMATION. THIS SHEET MAY NOT BE TRANSFERRED FROM THE CUSTODY OF THE COMPETENT DIVISION OF R&D DEPARTMENT EXCEPT AS AUTHORIZED BY COMPAL ELECTRONICS, INC. NEITHER THIS SHEET NOR THE INFORMATION IT CONTAINS MAY BE USED BY OR DISCLOSED TO ANY THIRD PARTY WITHOUT PRIOR WRITTEN CONSENT OF COMPAL ELECTRONICS, INC.				SCHEMATIC, M/B LA-3121P
Date:	日期三, 五月 10, 2006	Sheet	15 of 51	Rev D

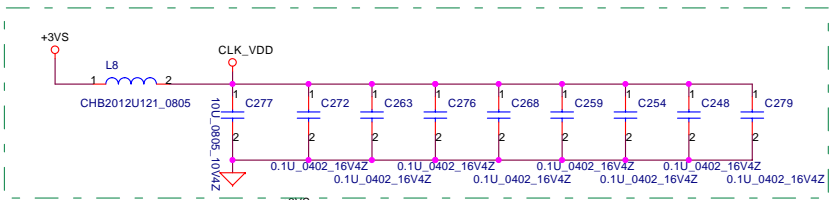


LOAD_ROM#: LOAD ROM STRAP ENABLE

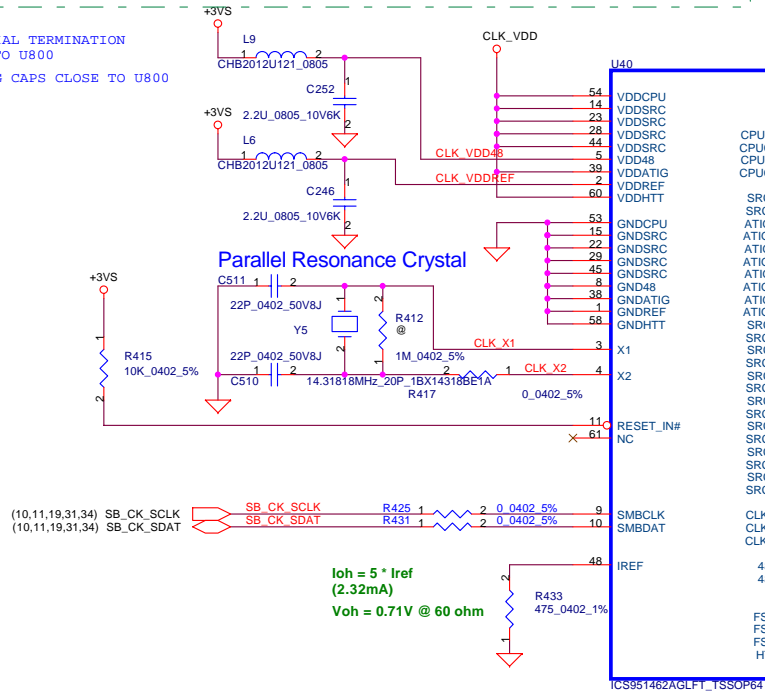
High, LOAD ROM STRAP DISABLE
Low, LOAD ROM STRAP ENABLE



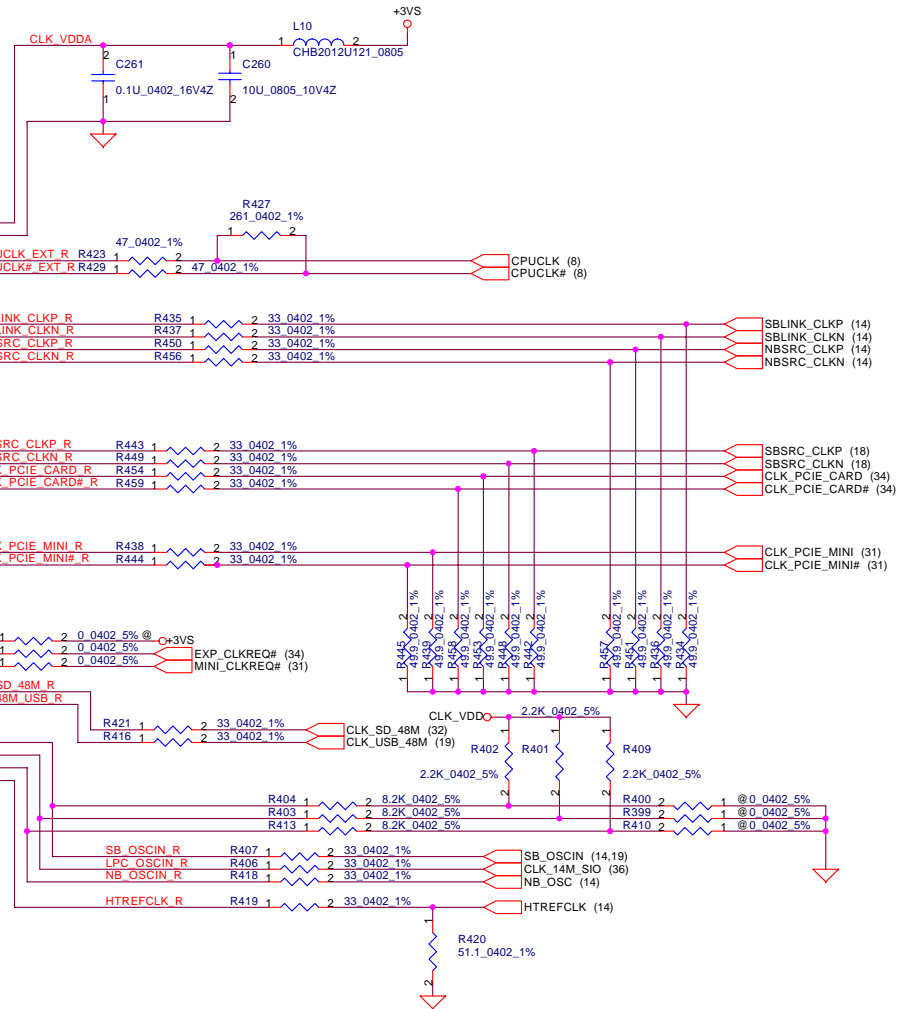
Security Classification	Compal Secret Data			Compal Electronics, inc. Title: SCHEMATIC, M/B LA-3121P			
Issued Date	2005/05/09	Deciphered Date	2006/03/08			Size	Document Number
THIS SHEET OF ENGINEERING DRAWING IS THE PROPRIETARY PROPERTY OF COMPAL ELECTRONICS, INC. AND CONTAINS CONFIDENTIAL AND TRADE SECRET INFORMATION. THIS SHEET MAY NOT BE TRANSFERRED FROM THE CUSTODY OF THE COMPETENT DIVISION OF R&D DEPARTMENT EXCEPT AS AUTHORIZED BY COMPAL ELECTRONICS, INC. NEITHER THIS SHEET NOR THE INFORMATION IT CONTAINS MAY BE USED BY OR DISCLOSED TO ANY THIRD PARTY WITHOUT PRIOR WRITTEN CONSENT OF COMPAL ELECTRONICS, INC.				Customer	401411	Rev	D
				Date:	星期三, 五月 10, 2006	Sheet	16



- 1- PLACE ALL SERIAL TERMINATION RESISTORS CLOSE TO U800
- 2- PUT DECOUPLING CAPS CLOSE TO U800 POWER PIN



$I_{oh} = 5 * I_{ref}$
 $(2.32mA)$
 $V_{oh} = 0.71V @ 60 ohm$

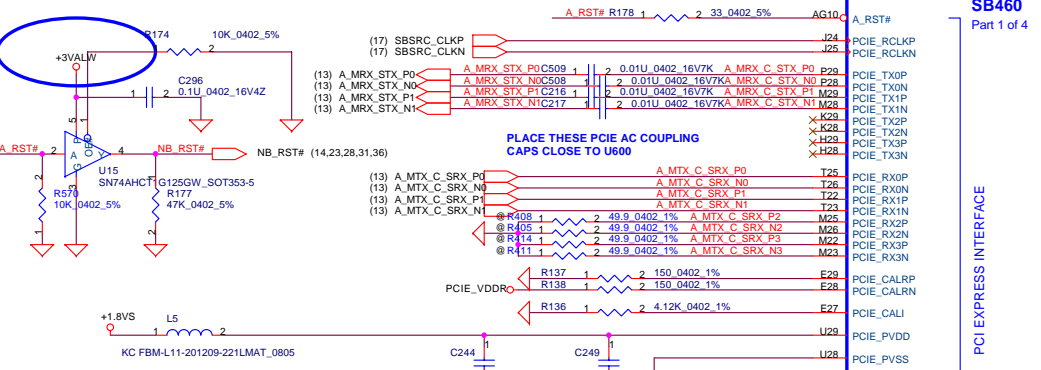


EXT CLK FREQUENCY SELECT TABLE(MHZ)

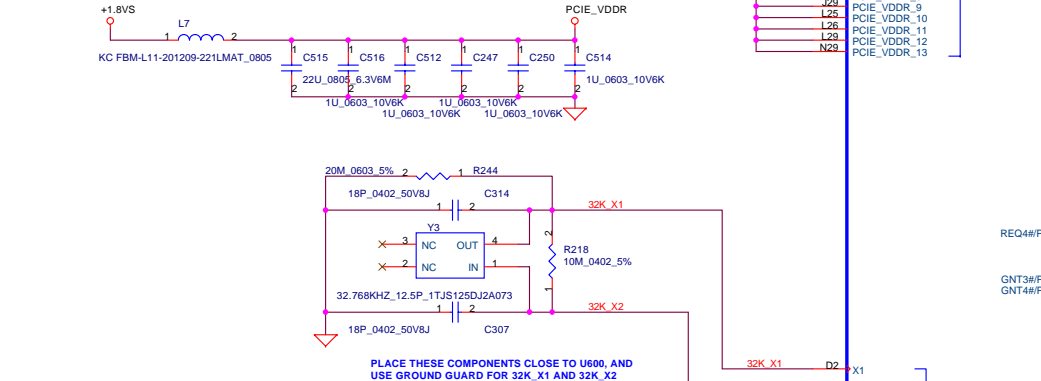
FS2	FS1	FS0	CPU	SRCCLK [2:1]	HIT	PCI	USB	COMMENT
0	0	0	Hi-Z	100.00	Hi-Z	Hi-Z	48.00	Reserved
0	0	1	X	100.00	X/3	X/6	48.00	Reserved
0	1	0	180.00	100.00	60.00	30.00	48.00	Reserved
0	1	1	220.00	100.00	36.56	73.12	48.00	Reserved
1	0	0	100.00	100.00	66.66	33.33	48.00	Reserved
1	0	1	133.33	100.00	66.66	33.33	48.00	Reserved
1	1	1	200.00	100.00	66.66	33.33	48.00	Normal ATHLON64 operation

Security Classification	Compal Secret Data		Title	
Issued Date	2005/05/09	Deciphered Date	2006/03/08	SCHEMATIC, M/B LA-3121P
THIS SHEET OF ENGINEERING DRAWING IS THE PROPRIETARY PROPERTY OF COMPAL ELECTRONICS, INC. AND CONTAINS CONFIDENTIAL AND TRADE SECRET INFORMATION. THIS SHEET MAY NOT BE TRANSFERRED FROM THE CUSTODY OF THE COMPETENT DIVISION OF R&D DEPARTMENT IF EXPORTED AS AUTHORIZED BY COMPAL ELECTRONICS, INC. NEITHER THIS SHEET NOR THE INFORMATION IT CONTAINS MAY BE USED BY OR DISCLOSED TO ANY THIRD PARTY WITHOUT PRIOR WRITTEN CONSENT OF COMPAL ELECTRONICS, INC.				Size Document Number 401411
Date:	星期三, 五月 10, 2006	Sheet	17 of 51	Rev D

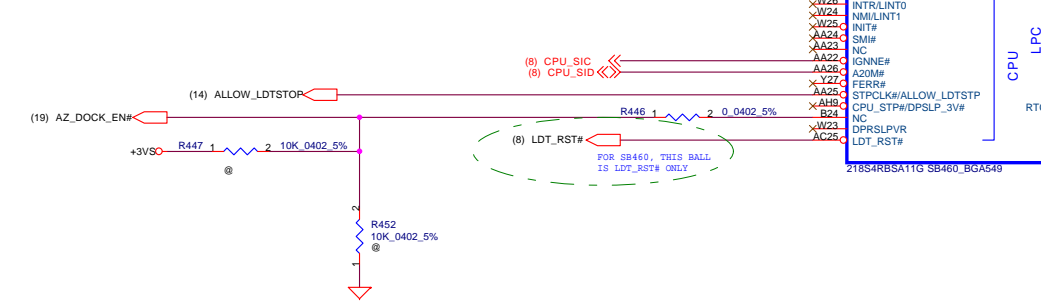
2005/12/30 Change net to +3VALW



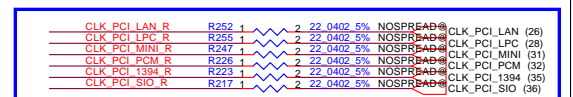
FOR SB600 VCC_SB=1.2V
FOR SB460 VCC_SB=1.8V
R601 CALRP: SB600=562R 1%, SB460=150R 1%
R603 CALRN: SB600=2.05K 1%, SB460=150R 1%
R603 CALRN: SB600=0R 1%, SB460=4.12K 1%



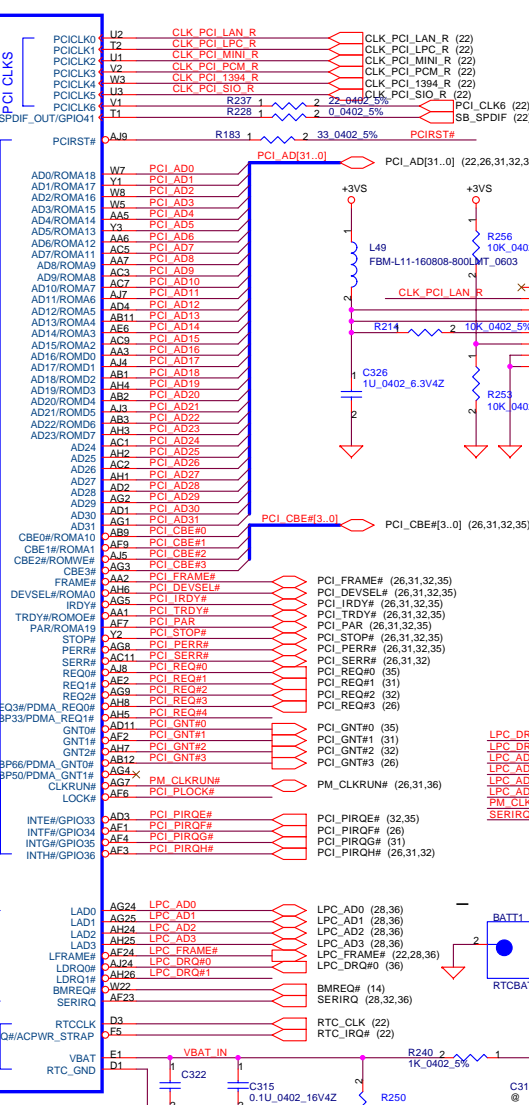
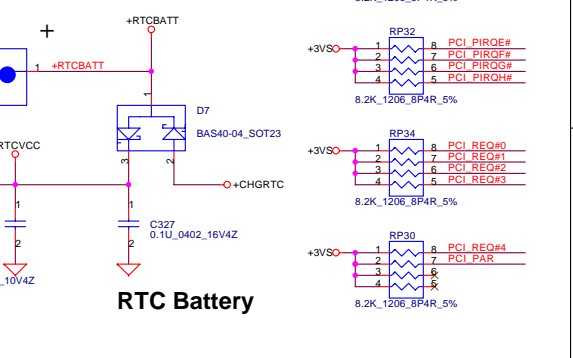
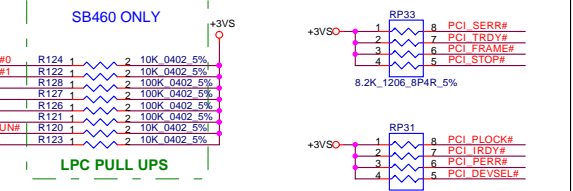
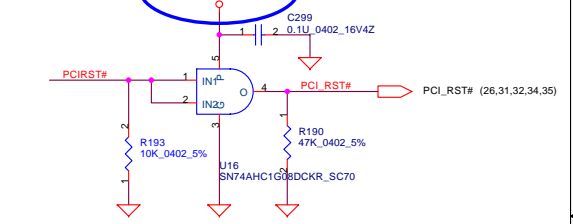
FOR SB600, CONNECT TO CPU_PG/LDT_PG
FOR SB460, CONNECT TO SSM0KXSEL/GP100



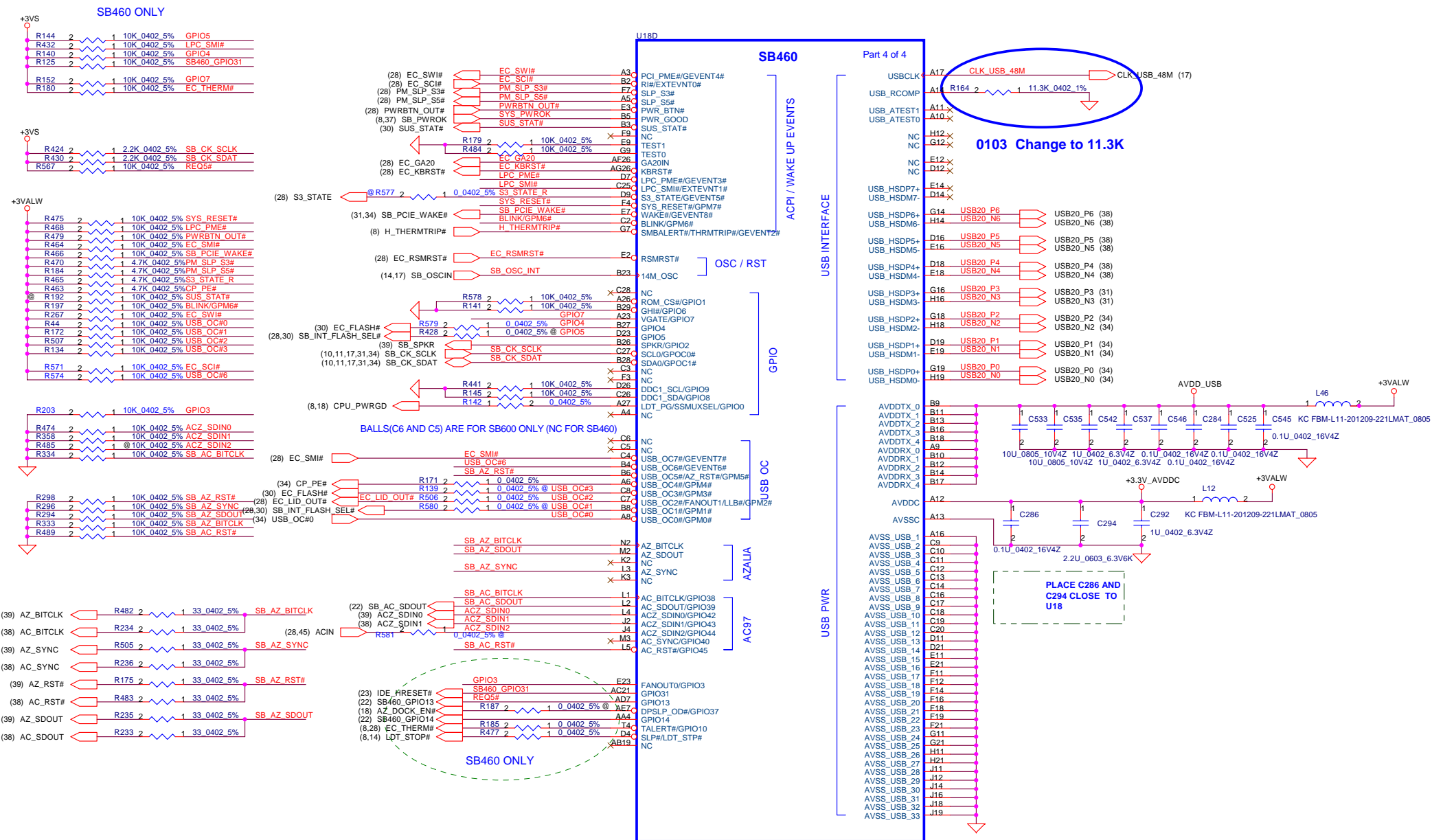
2005/10/27 Added, Near U4520, Need equal length



2005/12/30 Change net to +3VALW



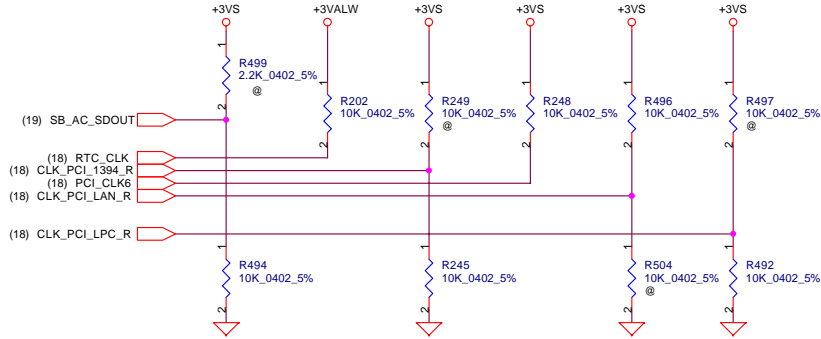
Security Classification	Compal Secret Data		Title	
Issued Date	2005/05/09	Deciphered Date	2006/03/08	SCHMATIC, M/B LA-3121P
THIS SHEET OF ENGINEERING DRAWING IS THE PROPRIETARY PROPERTY OF COMPAL ELECTRONICS, INC. AND CONTAINS CONFIDENTIAL AND TRADE SECRET INFORMATION. THIS SHEET MAY NOT BE TRANSFERRED FROM THE CUSTODY OF THE COMPETENT DIVISION OF R&D DEPARTMENT EXCEPT AS AUTHORIZED BY COMPAL ELECTRONICS, INC. NEITHER THIS SHEET NOR THE INFORMATION IT CONTAINS MAY BE USED BY OR DISCLOSED TO ANY THIRD PARTY WITHOUT PRIOR WRITTEN CONSENT OF COMPAL ELECTRONICS, INC.				Rev D
Size	Document Number	Date	Sheet	Rev
401411	401411	2006/05/11	18 of 51	D



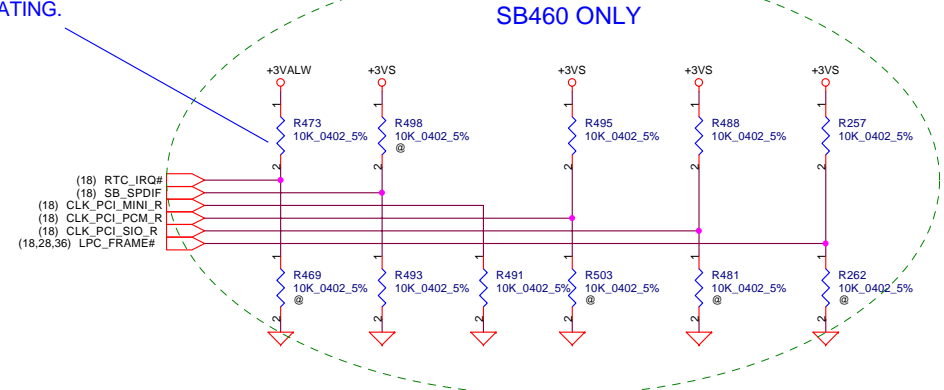
Security Classification		Compal Secret Data		Title	
Issued Date	2005/05/09	Deciphered Date	2006/03/08	SCHEMATIC, M/B LA-3121P	
THIS SHEET OF ENGINEERING DRAWING IS THE PROPRIETARY PROPERTY OF COMPAL ELECTRONICS, INC. AND CONTAINS CONFIDENTIAL AND TRADE SECRET INFORMATION. THIS SHEET MAY NOT BE TRANSFERRED FROM THE CUSTODY OF THE COMPETENT DIVISION OF R&D DEPARTMENT EXCEPT AS AUTHORIZED BY COMPAL ELECTRONICS, INC. NEITHER THIS SHEET NOR THE INFORMATION IT CONTAINS MAY BE USED BY OR DISCLOSED TO ANY THIRD PARTY WITHOUT PRIOR WRITTEN CONSENT OF COMPAL ELECTRONICS, INC.				Size	Document Number
Customer	401411	Rev	D	Date:	星期四, 五月 11, 2006
Sheet	19	of	51		

REQUIRED STRAPS

SB600 HAS 15K INTERNAL PU FOR AC_SDOUT_OUT, 15K PU FOR RTC_CLK, EXTERNAL PU/PD IS NOT REQUIRED; FOR SB460, EXTERNAL PU/PD ARE REQUIRED



NOTE: R751 PU RESISTOR FOR RTC_IRQ# IS REQUIRED FOR SB600 TO KEEP THE INPUT FROM FLOATING.



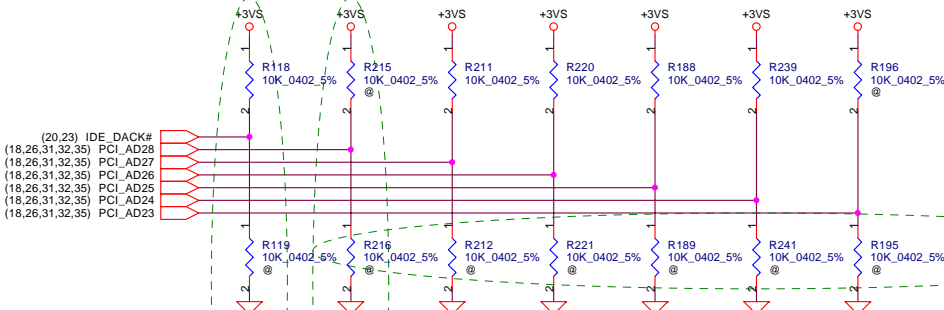
		SB600				SB460	
		AC_SDOUT	RTC_CLK	PCI_1394_R	PCI_CLK6	PCI_LAN_R	PCI_LPC_R
PULL HIGH	USE DEBUG STRAPS	INTERNAL RTC	USE INT. PLL48	CPU IF=K8	ROM TYPE: H, H = PCI ROM H, L = SPI ROM L, H = LPC ROM L, L = FWH ROM	ROM TYPE: H, H = PCI ROM H, L = LPC I ROM L, H = LPC II ROM L, L = FWH ROM	DEFAULT
	IGNORE DEBUG STRAPS	EXTERNAL RTC	USE EXT. 48MHZ	CPU IF=P4	DEFAULT	DEFAULT	DEFAULT
PULL LOW	DEFAULT	DEFAULT	DEFAULT	DEFAULT	DEFAULT	DEFAULT	DEFAULT

NOTE: FOR SB460, PCICLK[8:7] ARE CONNECTED TO SUBSTRATE BALLS PCICLK1[0]

	ACPWRON	SPDIF_OUT	PCI_MINI_R	PCI_PCM_R	PCI_SIO_R	LFRAME#
PULL HIGH	MANUAL PWR ON DEFAULT	SIO 24MHz	XTAL MODE NOT SUPPORTED	USB PHY POWERDOWN DISABLE DEFAULT	PCIE_CM_SET LOW DEFAULT	ENABLE THERMTRIP# DEFAULT
PULL LOW	AUTO PWR ON	SIO 48MHz DEFAULT	48MHZ OSC MODE DEFAULT	USB PHY POWERDOWN ENABLE	PCIE_CM_SET HIGH	DISABLE THERMTRIP#

DEBUG STRAPS

SB600 HAS 15K INTERNAL PU FOR PCI_AD[28:23]



2.2K IF USED FOR SB600.
10K IF USED FOR SB460.

	IDE_DACK#	PCI_AD28	PCI_AD27	PCI_AD26	PCI_AD25	PCI_AD24	PCI_AD23
PULL HIGH	USE LONG RESET DEFAULT	USE LONG RESET DEFAULT	USE PCI PLL	USE ACPI BCLK	USE IDE PLL	USE DEFAULT PCIE STRAPS	BOOTFAILTIMER DISABLED
PULL LOW	USE SHORT RESET	USE SHORT RESET	BYPASS PCI PLL	BYPASS ACPI BCLK	BYPASS IDE PLL	USE EEPROM PCIE STRAPS	BOOTFAILTIMER ENABLED

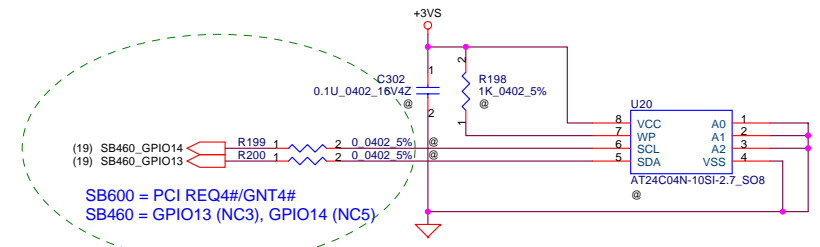
SB600 ONLY

NOTE: FOR SB460, PCI_AD23 IS RESERVED

SB460 ONLY

SB600 ONLY

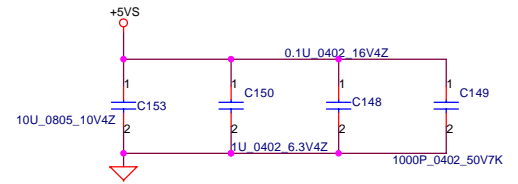
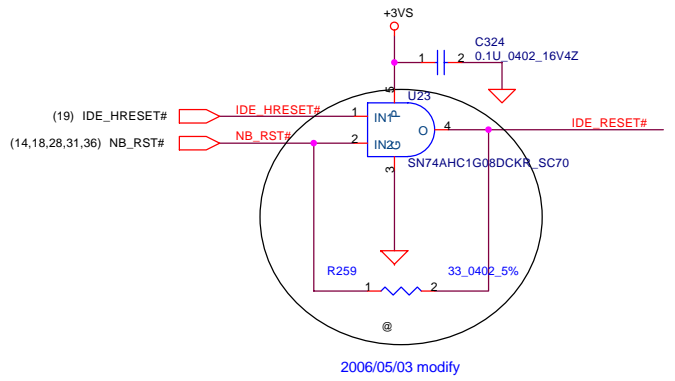
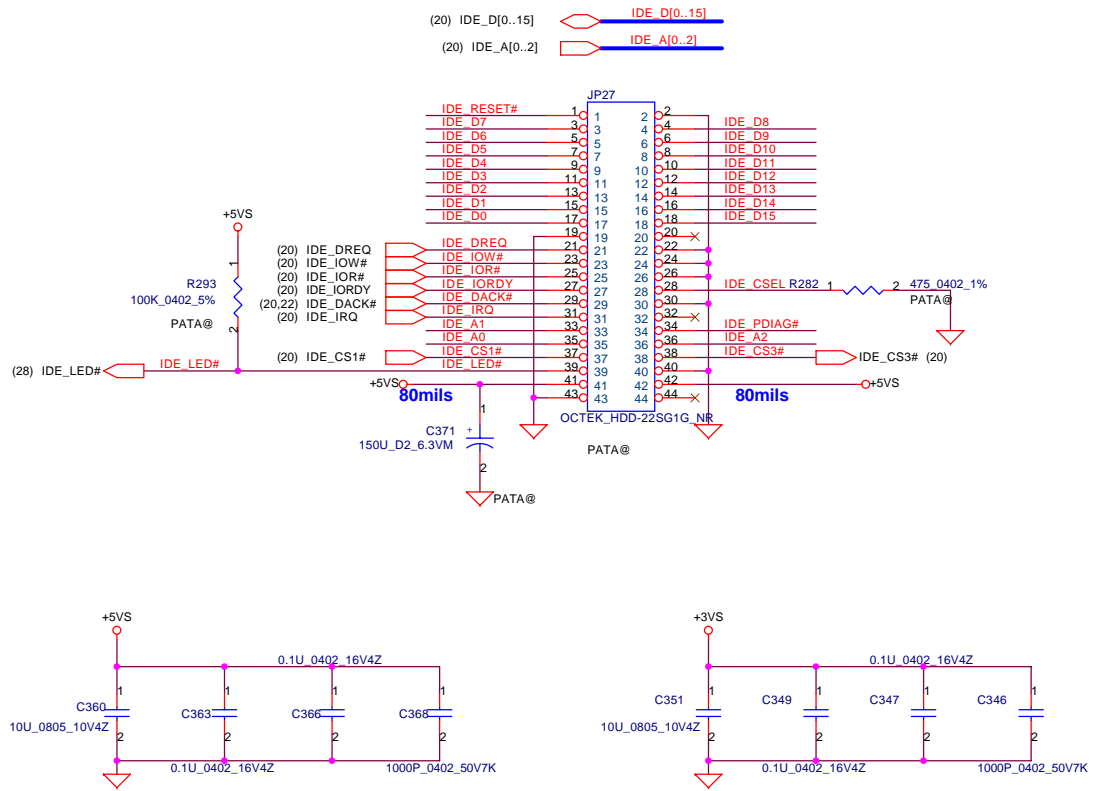
OVERLAP COMMON PADS WHERE POSSIBLE FOR DUAL-OP RESISTORS.



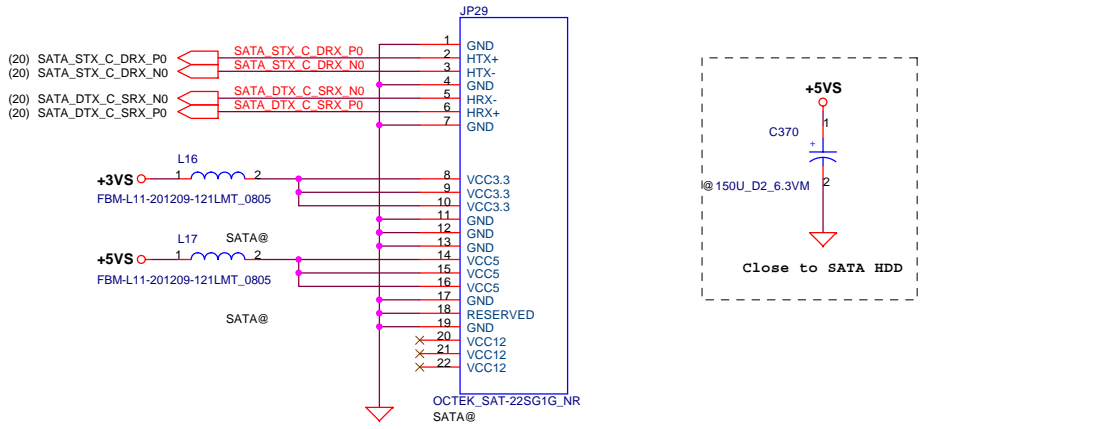
SB PCIE EEPROM STRAPS

Security Classification	Compal Secret Data		Title	
Issued Date	2005/05/09	Deciphered Date	2006/03/08	SCHEMATIC, M/B LA-3121P
THIS SHEET OF ENGINEERING DRAWING IS THE PROPRIETARY PROPERTY OF COMPAL ELECTRONICS, INC. AND CONTAINS CONFIDENTIAL AND TRADE SECRET INFORMATION. THIS SHEET MAY NOT BE TRANSFERRED FROM THE CUSTODY OF THE COMPETENT DIVISION OF R&D DEPARTMENT EXCEPT AS AUTHORIZED BY COMPAL ELECTRONICS, INC. NEITHER THIS SHEET NOR THE INFORMATION IT CONTAINS MAY BE USED BY OR DISCLOSED TO ANY THIRD PARTY WITHOUT PRIOR WRITTEN CONSENT OF COMPAL ELECTRONICS, INC.				Size 401411
Date:	星期四, 五月 11, 2006	Sheet	22	of 51

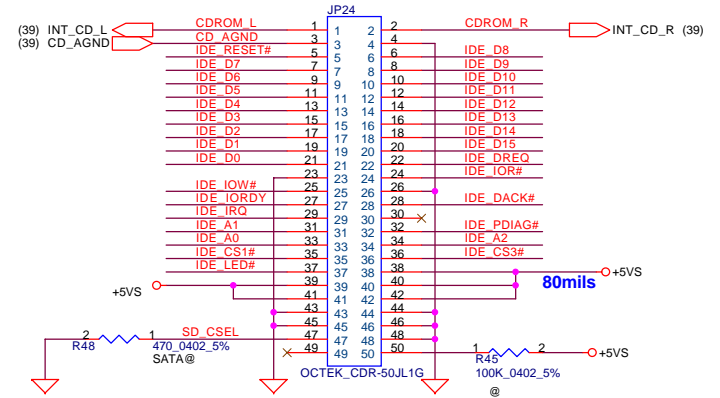
HDD CONN



SATA HDD CONN



CDROM CONN

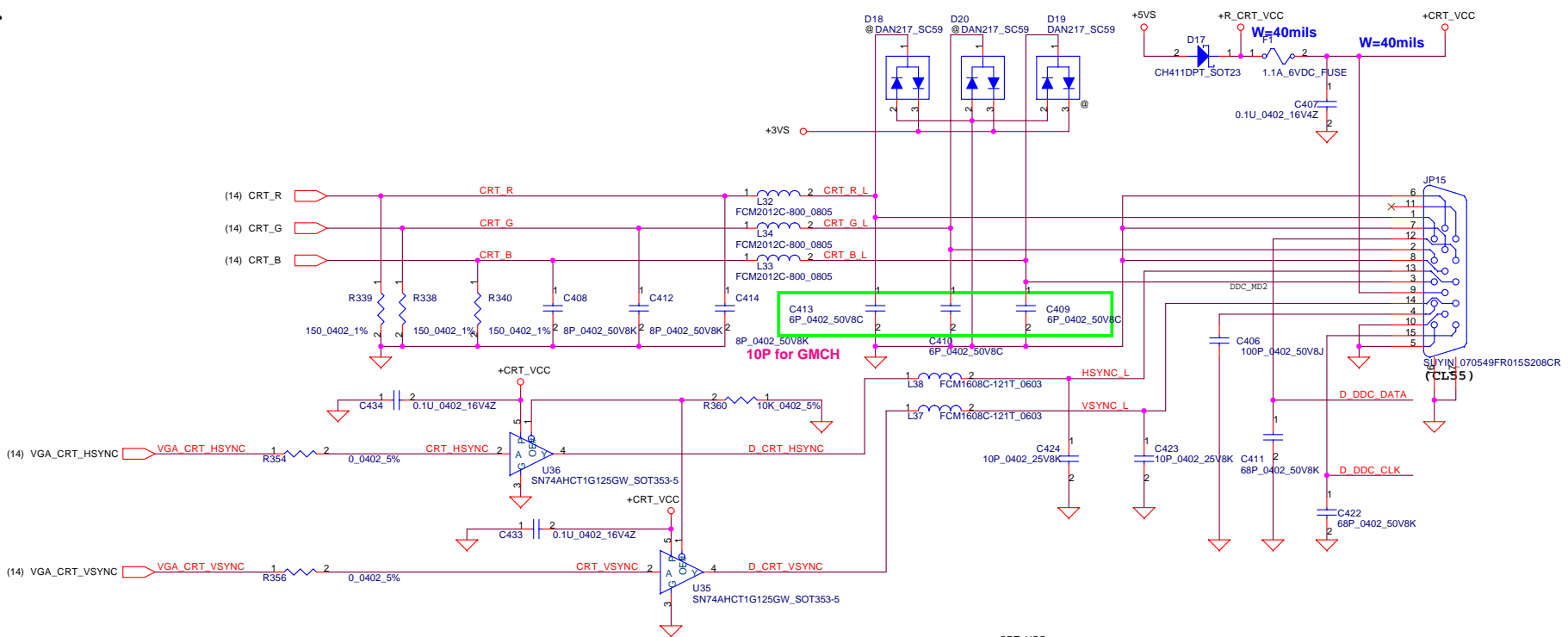


If CDROM is Slave
then SD_CSEL= Floating
else SD_CSEL= Low

Compal Electronics, Inc.		
Title SCHEMATIC, M/B LA-3121P		
Size	Document Number 401411	Rev D
Date:	星期四, 五月 11, 2006	Sheet 23 of 51

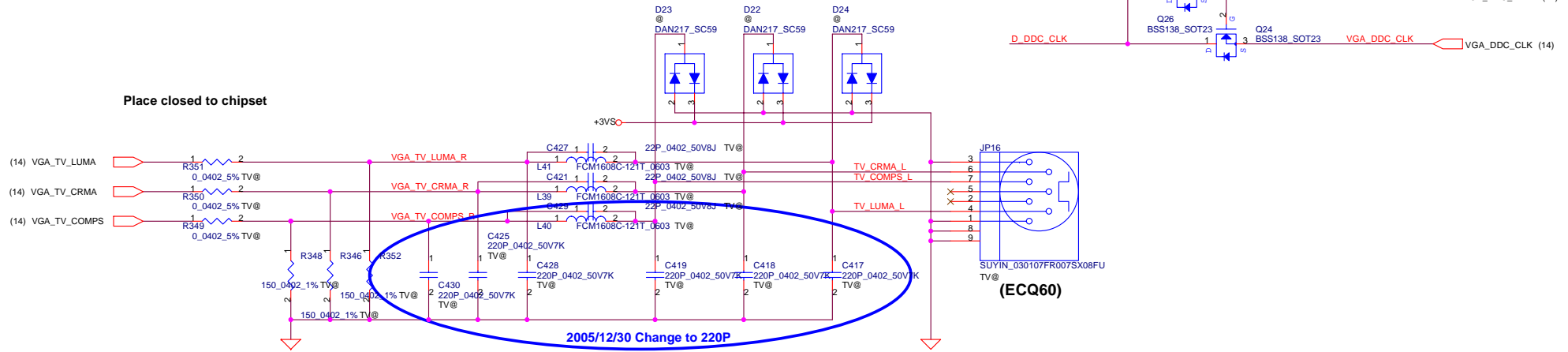
THIS SHEET OF ENGINEERING DRAWING IS THE PROPRIETARY PROPERTY OF COMPAL ELECTRONICS, INC. AND CONTAINS CONFIDENTIAL AND TRADE SECRET INFORMATION. THIS SHEET MAY NOT BE TRANSFERRED FROM THE CUSTODY OF THE COMPETENT DIVISION OF R&D DEPARTMENT EXCEPT AS AUTHORIZED BY COMPAL ELECTRONICS, INC. NEITHER THIS SHEET NOR THE INFORMATION IT CONTAINS MAY BE USED BY OR DISCLOSED TO ANY THIRD PARTY WITHOUT PRIOR WRITTEN CONSENT OF COMPAL ELECTRONICS, INC.

CRT Connector



TV-OUT Conn.

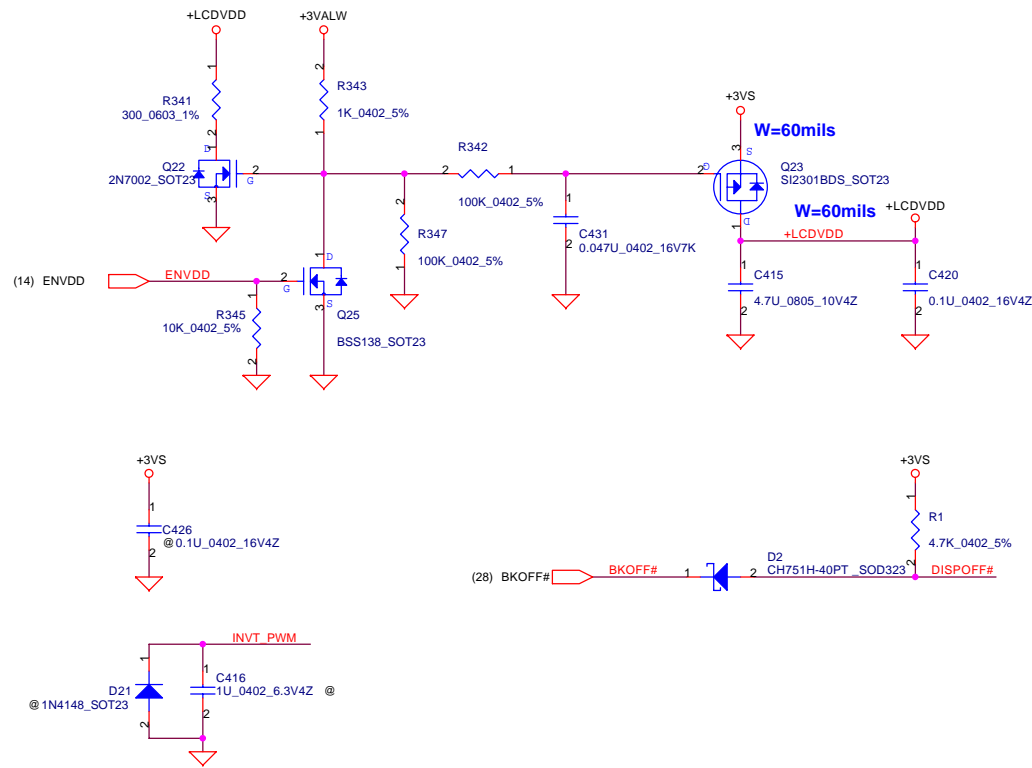
Place closed to to chipset



Security Classification		Compal Secret Data		Title	
Issued Date	2005/05/09	Deciphered Date	2006/03/08	SCHEMATIC, M/B LA-3121P	
THIS SHEET OF ENGINEERING DRAWING IS THE PROPRIETARY PROPERTY OF COMPAL ELECTRONICS, INC. AND CONTAINS CONFIDENTIAL AND TRADE SECRET INFORMATION. THIS SHEET MAY NOT BE TRANSFERRED FROM THE CUSTODY OF THE COMPETENT DIVISION OF R&D DEPARTMENT EXCEPT AS AUTHORIZED BY COMPAL ELECTRONICS, INC. NEITHER THIS SHEET NOR THE INFORMATION IT CONTAINS MAY BE USED BY OR DISCLOSED TO ANY THIRD PARTY WITHOUT PRIOR WRITTEN CONSENT OF COMPAL ELECTRONICS, INC.				Size	Document Number
				Custom	401411
				Date:	星期四, 五月 11, 2006
				Sheet	24 of 51

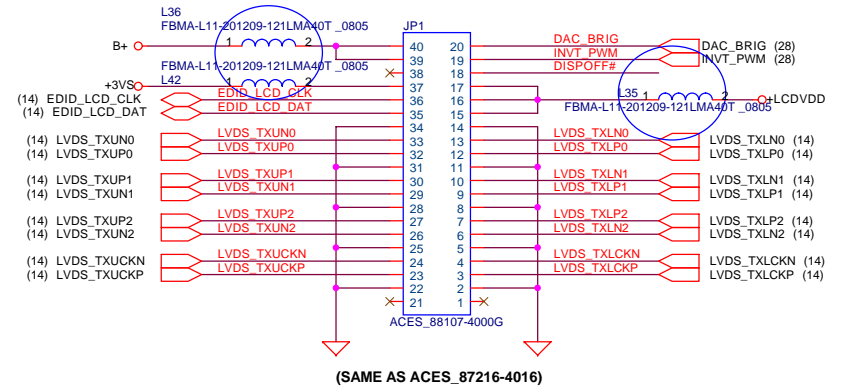
Compal Electronics, inc.

LCD POWER CIRCUIT



LCD/PANEL CONN.

04/17 modify



Security Classification		Compal Secret Data		Compal Electronics, inc.	
Issued Date	2005/05/09	Deciphered Date	2006/03/08		
THIS SHEET OF ENGINEERING DRAWING IS THE PROPRIETARY PROPERTY OF COMPAL ELECTRONICS, INC. AND CONTAINS CONFIDENTIAL AND TRADE SECRET INFORMATION. THIS SHEET MAY NOT BE TRANSFERRED FROM THE CUSTODY OF THE COMPETENT DIVISION OF R&D DEPARTMENT EXCEPT AS AUTHORIZED BY COMPAL ELECTRONICS, INC. NEITHER THIS SHEET NOR THE INFORMATION IT CONTAINS MAY BE USED BY OR DISCLOSED TO ANY THIRD PARTY WITHOUT PRIOR WRITTEN CONSENT OF COMPAL ELECTRONICS, INC.				Title	SCHMATIC, M/B LA-3121P
Size	Custom	Document Number	401411	Rev	D
Date:	星期四, 五月 11, 2006	Sheet	25 of 51		

(18,22,31,32,35) PCI_AD[0..31] PCI_AD[0..31]

PCI AD0	104	AD0
PCI AD1	103	AD1
PCI AD2	102	AD2
PCI AD3	98	AD3
PCI AD4	96	AD4
PCI AD5	97	AD5
PCI AD6	95	AD6
PCI AD7	93	AD7
PCI AD8	90	AD8
PCI AD9	89	AD9
PCI AD10	87	AD10
PCI AD11	86	AD11
PCI AD12	85	AD12
PCI AD13	83	AD13
PCI AD14	82	AD14
PCI AD15	79	AD15
PCI AD16	59	AD16
PCI AD17	58	AD17
PCI AD18	57	AD18
PCI AD19	55	AD19
PCI AD20	53	AD20
PCI AD21	50	AD21
PCI AD22	49	AD22
PCI AD23	47	AD23
PCI AD24	43	AD24
PCI AD25	42	AD25
PCI AD26	40	AD26
PCI AD27	39	AD27
PCI AD28	37	AD28
PCI AD29	36	AD29
PCI AD30	34	AD30
PCI AD31	33	AD31

(18,31,32,35) PCI_CBE#0	92	CBE#0
(18,31,32,35) PCI_CBE#1	77	CBE#1
(18,31,32,35) PCI_CBE#2	60	CBE#2
(18,31,32,35) PCI_CBE#3	44	CBE#3

PCI_AD17	1	LAN_IDSEL	46
----------	---	-----------	----

(18,31,32,35) PCI_PAR	76	PAR_FRAME#
(18,31,32,35) PCI_FRAME#	61	IRDY#
(18,31,32,35) PCI_IRDY#	63	TRDY#
(18,31,32,35) PCI_TRDY#	67	DEVSEL#
(18,31,32,35) PCI_DEVSEL#	68	STOP#
(18,31,32,35) PCI_STOP#	69	

(18,31,32,35) PCI_PERR#	70	PERR#
(18,31,32) PCI_SERR#	75	SERR#

(18) PCI_REQ#3	30	REQ#
(18) PCI_GNT#3	29	GNT#

(18,31,32) PCI_PIRQ#	25	INTA#
(18,31,32) PCI_PIRQH#	25	INTA#

(28) LAN_PME#	31	PME#
---------------	----	------

(18,31,32,34,35) PCI_RST#	27	RST#
---------------------------	----	------

(18) CLK_PCI_LAN	28	CLK_CLKRUN#
(18,31,36) PM_CLKRUN#	65	CLK_CLKRUN#

4	GND/VSS
17	GND/VSS
128	GND/VSS

21	GND/VSSPST
38	GND/VSSPST
51	GND/VSSPST
66	GND/VSSPST
81	GND/VSSPST
91	GND/VSSPST
101	GND/VSSPST
119	GND/VSSPST

35	GND
52	GND
80	GND
100	GND

24	NC/VDD12
45	NC/VDD12
64	NC/VDD12
110	NC/VDD12
116	NC/VDD12

12	NC
----	----

100@	RTL8110SBL_LQFP128
------	--------------------

100@	RTL8110SBL change to Ver.D
------	----------------------------

100@	RTL8110SBL change to Ver.D
------	----------------------------

100@	RTL8110SBL change to Ver.D
------	----------------------------

100@	RTL8110SBL change to Ver.D
------	----------------------------

100@	RTL8110SBL change to Ver.D
------	----------------------------

100@	RTL8110SBL change to Ver.D
------	----------------------------

100@	RTL8110SBL change to Ver.D
------	----------------------------

100@	RTL8110SBL change to Ver.D
------	----------------------------

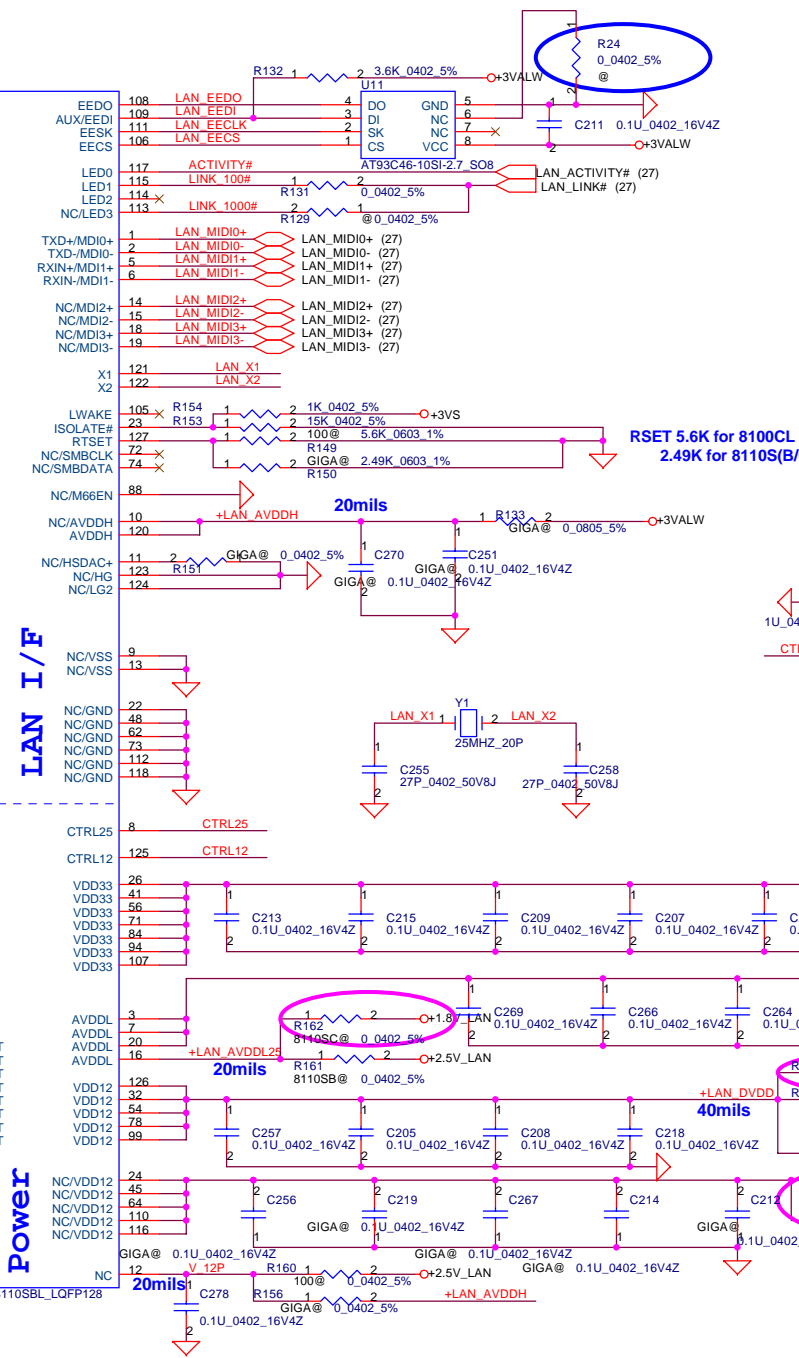
100@	RTL8110SBL change to Ver.D
------	----------------------------

100@	RTL8110SBL change to Ver.D
------	----------------------------

100@	RTL8110SBL change to Ver.D
------	----------------------------

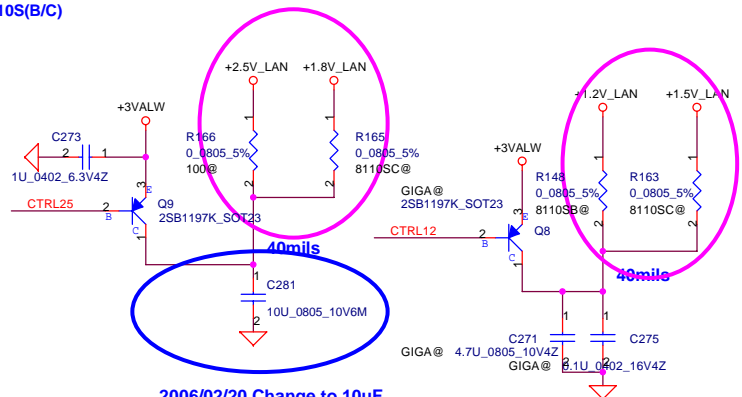
100@	RTL8110SBL change to Ver.D
------	----------------------------

100@	RTL8110SBL change to Ver.D
------	----------------------------



FN	8100CL(10/100 LAN)	8110SB/CL(10/100/1000 LAN)
RSET	5.6K	2.49K

BOM structure	8100CL(10/100 LAN)		8110SB/CL(10/100/1000 LAN)	
	100@	Stuff	No_Stuff	No_Stuff
8110SB@	No_Stuff	Stuff	No_Stuff	No_Stuff
8110SC@	No_Stuff	No_Stuff	No_Stuff	Stuff
@	No_Stuff	No_Stuff	No_Stuff	No_Stuff

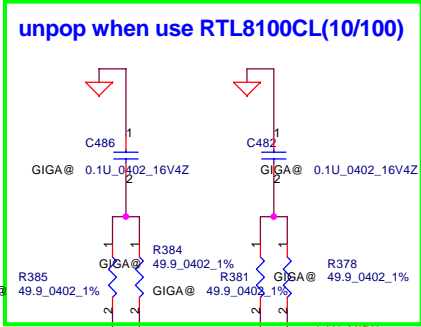
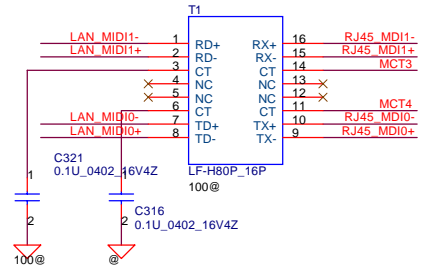


2006/02/20 Change to 10uF

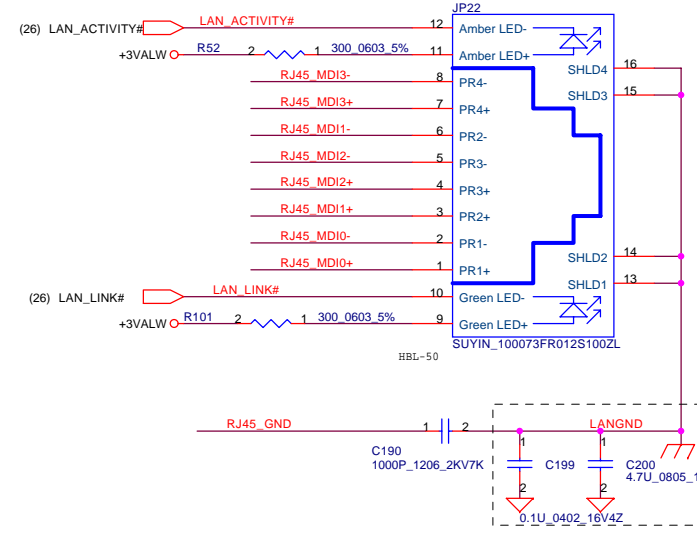
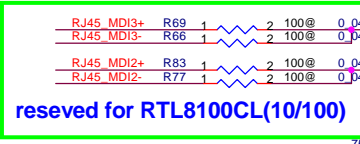
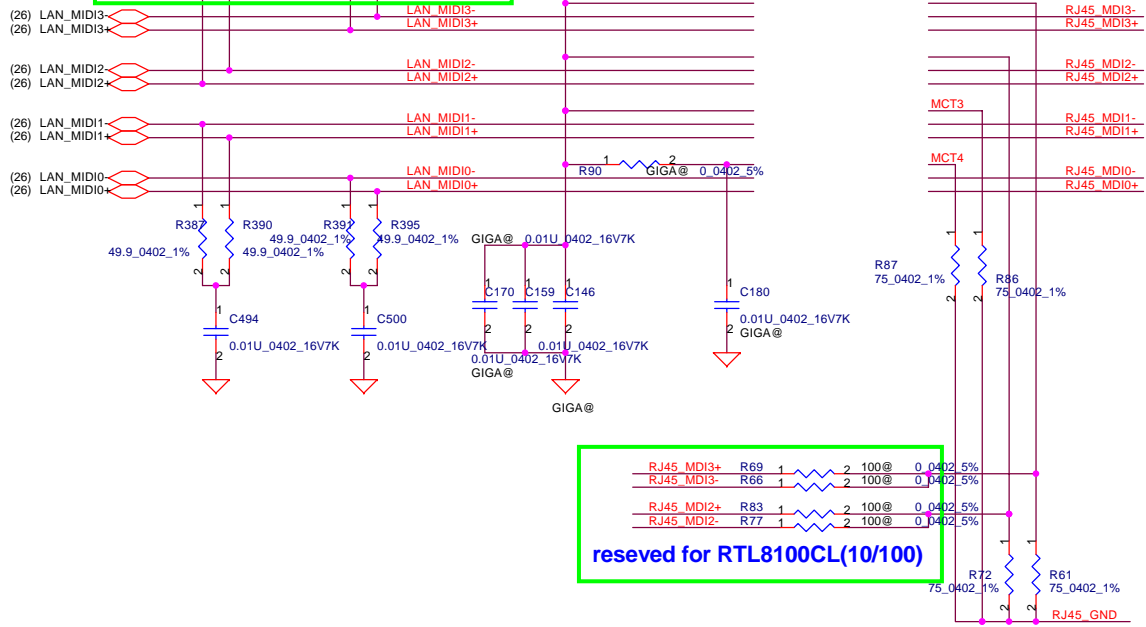
Security Classification	Compal Secret Data	
Issued Date	2005/05/09	Deciphered Date
THIS SHEET OF ENGINEERING DRAWING IS THE PROPRIETARY PROPERTY OF COMPAL ELECTRONICS, INC. AND CONTAINS CONFIDENTIAL AND TRADE SECRET INFORMATION. THIS SHEET MAY NOT BE TRANSFERRED FROM THE CUSTODY OF THE COMPETENT DIVISION OF R&D DEPARTMENT EXCEPT AS AUTHORIZED BY COMPAL ELECTRONICS, INC. NEITHER THIS SHEET NOR THE INFORMATION IT CONTAINS MAY BE USED BY OR DISCLOSED TO ANY THIRD PARTY WITHOUT PRIOR WRITTEN CONSENT OF COMPAL ELECTRONICS, INC.		

Compal Electronics, Inc.		
Title		
SCHEMATIC, M/B LA-3121P		
Size	Document Number	Rev
B	401411	D
Date:	星期一, 五月 08, 2006	Sheet 26 of 51

LAN RTL810SB/C & RTL8100CL

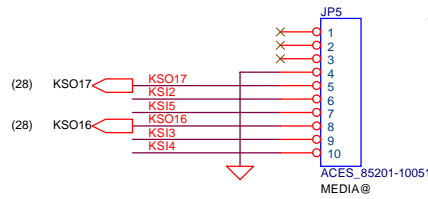
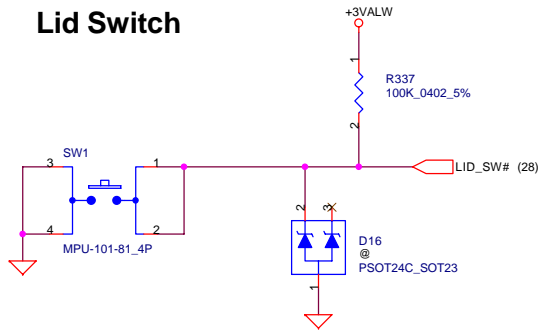


24HST1041A-3(SP050002110) for RTL8110SB/CL(GbE)
 TST1284-LF (SP050001X10) for RTL8100CL(10/100)
 24ST0023-3: Half port(TD[3:4], MX[3:4])



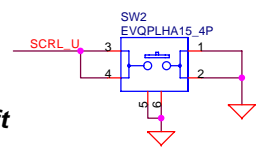
Security Classification		Compal Secret Data		Compal Electronics, Inc.	
Issued Date	2005/05/09	Deciphered Date	2006/07/29	Title	
THIS SHEET OF ENGINEERING DRAWING IS THE PROPRIETARY PROPERTY OF COMPAL ELECTRONICS, INC. AND CONTAINS CONFIDENTIAL AND TRADE SECRET INFORMATION. THIS SHEET MAY NOT BE TRANSFERRED FROM THE CUSTODY OF THE COMPETENT DIVISION OF R&D DEPARTMENT EXCEPT AS AUTHORIZED BY COMPAL ELECTRONICS, INC. NEITHER THIS SHEET NOR THE INFORMATION IT CONTAINS MAY BE USED BY OR DISCLOSED TO ANY THIRD PARTY WITHOUT PRIOR WRITTEN CONSENT OF COMPAL ELECTRONICS, INC.				SCHEMATIC, M/B LA-3121P	
Size	Document Number			Rev	D
B	401411				
Date:	星期一, 五月 08, 2006	Sheet	27	of	51

Lid Switch

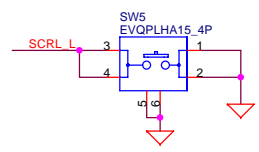


	KSO16	KSO17
KSI2	PLAY	VOL_UP
KSI3	STOP	VOL_DOWN
KSI4	NEXT	ARCADE_TV
KSI5	REV	

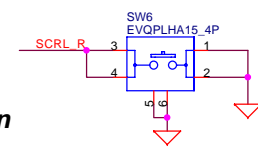
Scroll Up



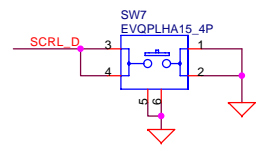
Scroll Left



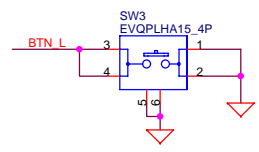
Scroll Right



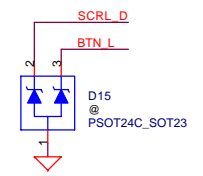
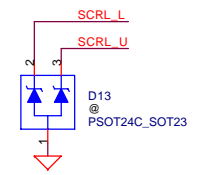
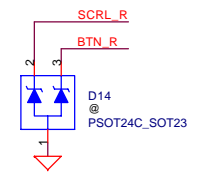
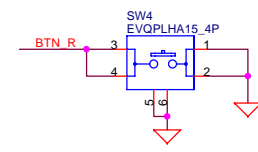
Scroll Down



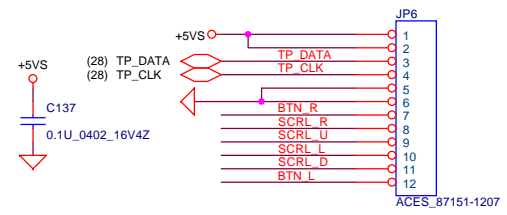
Left



Right

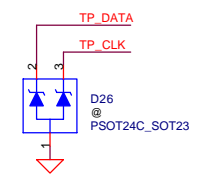
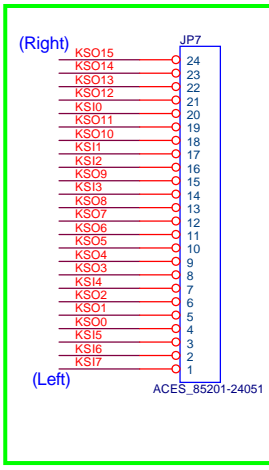
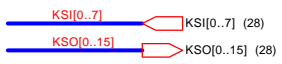
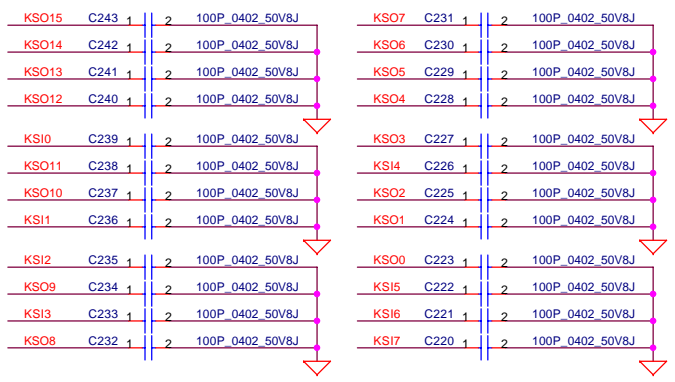


To TP/B Conn.

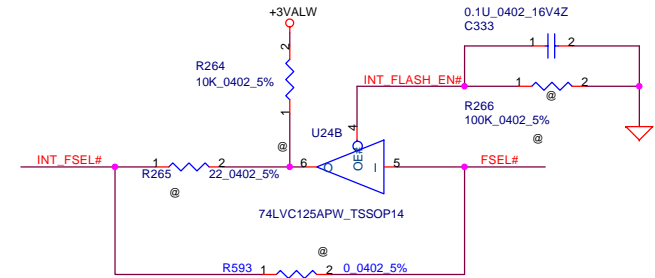
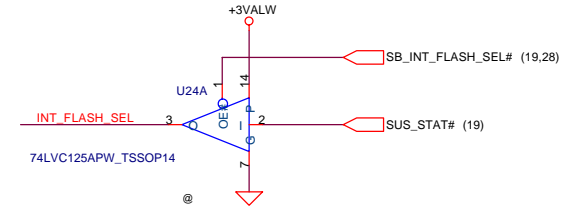
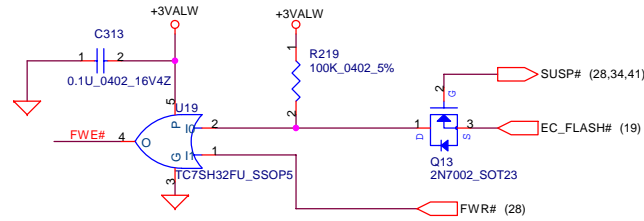
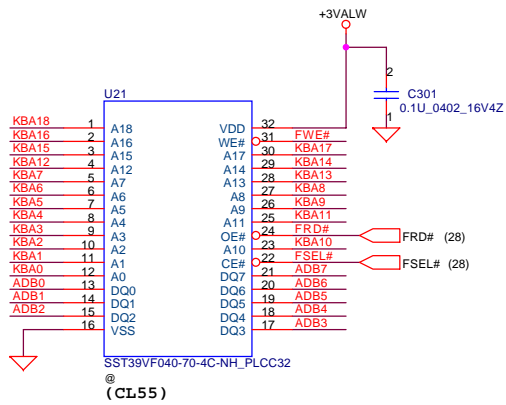


BTN_R	C139	1	2	100P_0402_50V8J
SCRL_R	C157	1	2	100P_0402_50V8J
SCRL_U	C162	1	2	100P_0402_50V8J
SCRL_L	C151	1	2	100P_0402_50V8J
SCRL_D	C167	1	2	100P_0402_50V8J
BTN_L	C144	1	2	100P_0402_50V8J
TP_DATA	C169	1	2	100P_0402_50V8J
TP_CLK	C174	1	2	100P_0402_50V8J

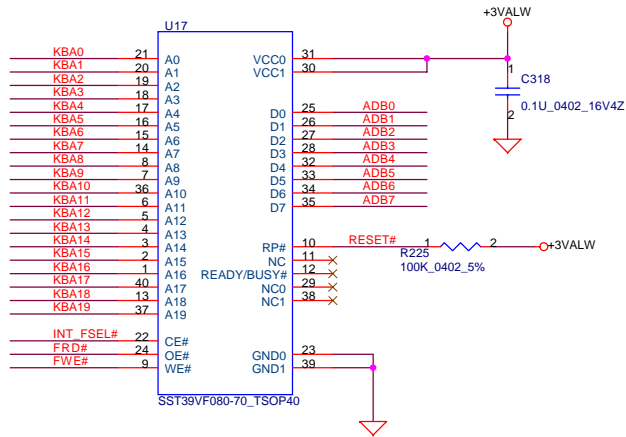
INT_KBD Conn.



(28) KBA[0..19] KBA[0..19]
 (28) ADB[0..7] ADB[0..7]

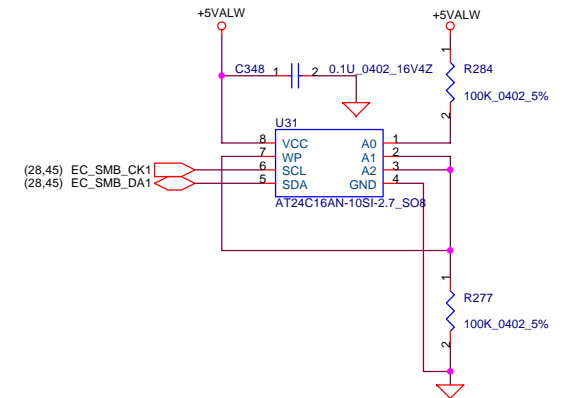
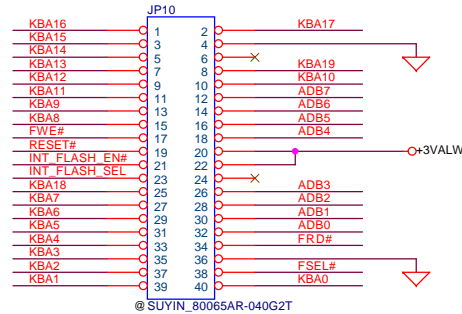


1MB Flash ROM

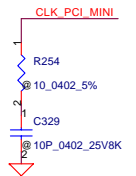
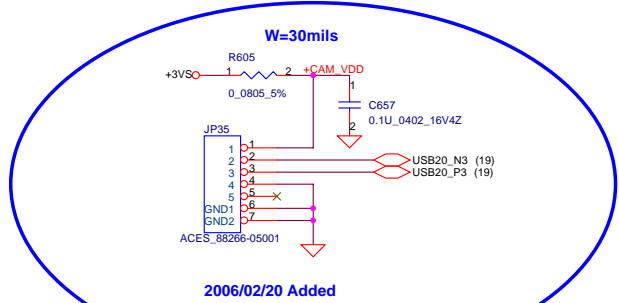
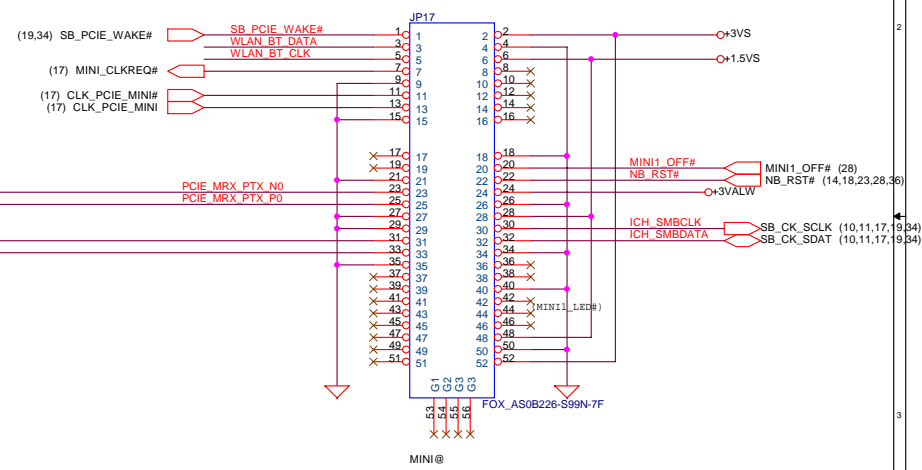
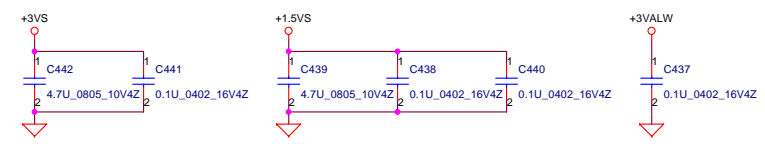
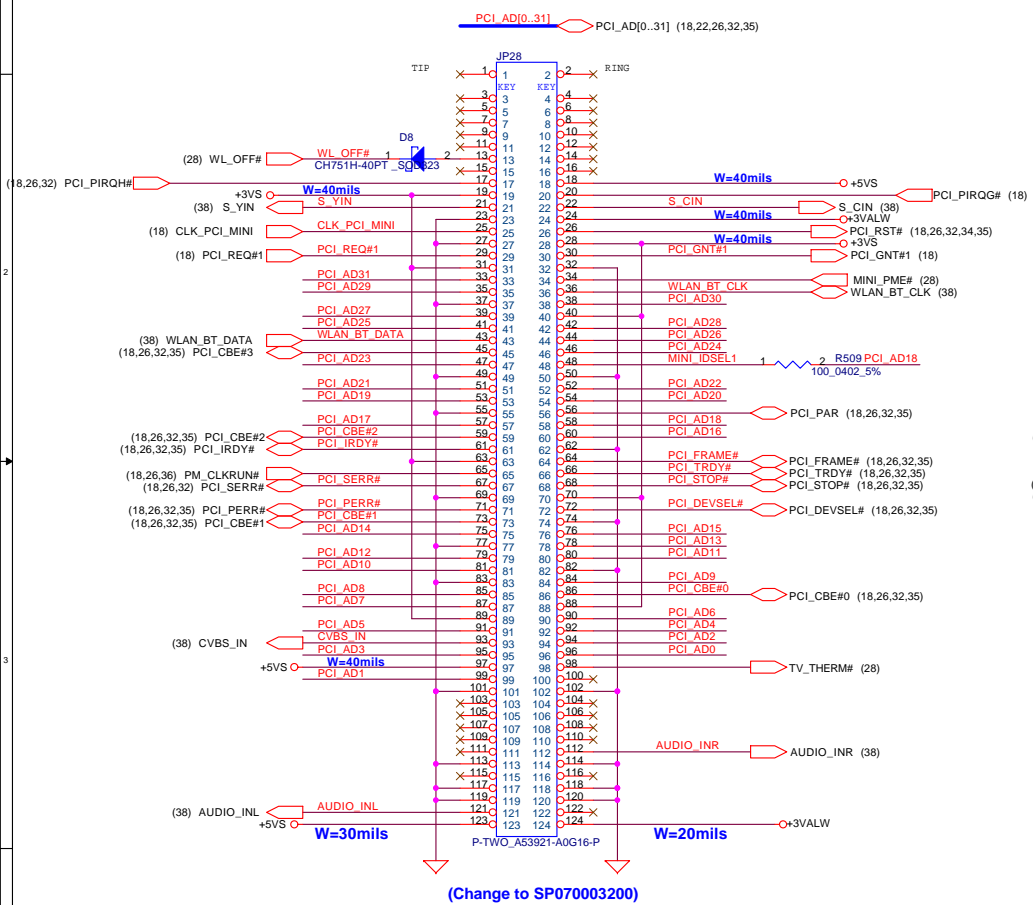
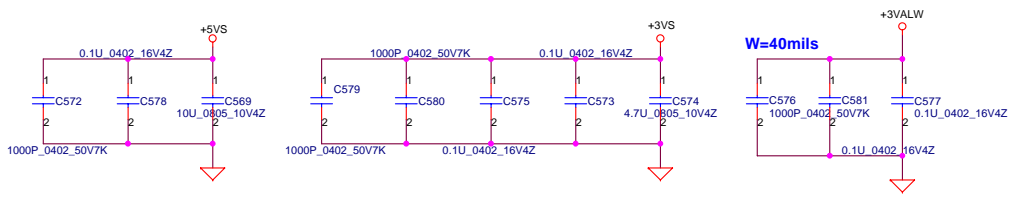


SST part : SA39080000
 MXIC part : SA290080120

1MB ROM Socket

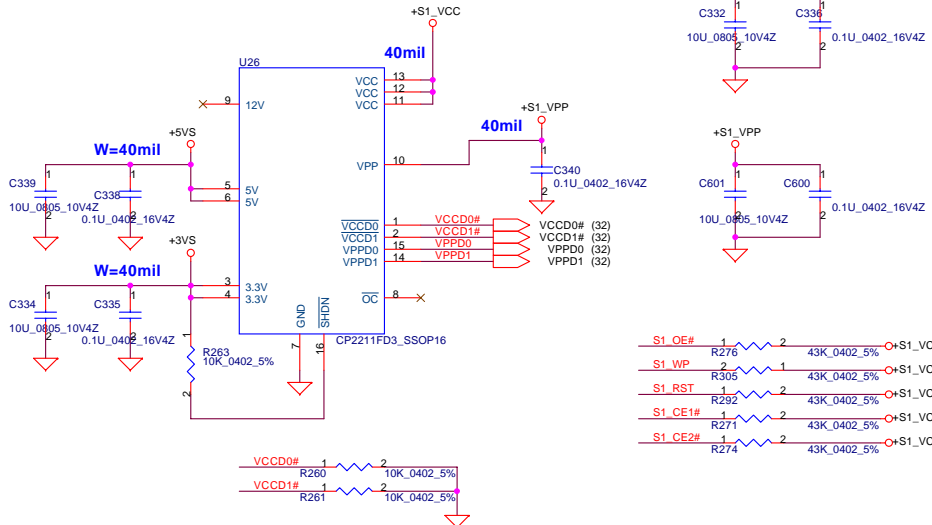


Security Classification	Compal Secret Data		Title Compal Electronics, inc. SCHEMATIC, M/B LA-3121P
Issued Date	2005/05/09	Deciphered Date	
THIS SHEET OF ENGINEERING DRAWING IS THE PROPRIETARY PROPERTY OF COMPAL ELECTRONICS, INC. AND CONTAINS CONFIDENTIAL AND TRADE SECRET INFORMATION. THIS SHEET MAY NOT BE TRANSFERRED FROM THE CUSTODY OF THE COMPETENT DIVISION OF R&D DEPARTMENT EXCEPT AS AUTHORIZED BY COMPAL ELECTRONICS, INC. NEITHER THIS SHEET NOR THE INFORMATION IT CONTAINS MAY BE USED BY OR DISCLOSED TO ANY THIRD PARTY WITHOUT PRIOR WRITTEN CONSENT OF COMPAL ELECTRONICS, INC.			Size Custom
			Document Number 401411
			Rev D
Date: 星期四, 五月 11, 2006		Sheet	30 of 51

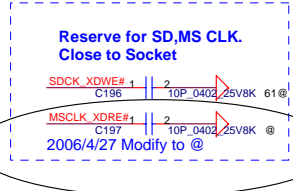
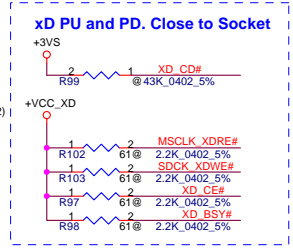
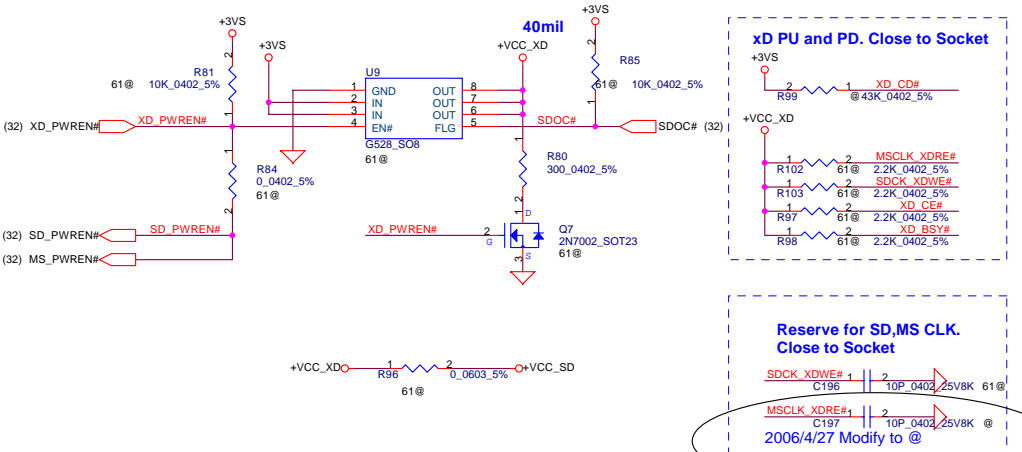


Mini Card Power Rating			
Power	Primary Power (mA)		Auxiliary Power (mA)
	Peak	Normal	Normal
+3VS	1000	750	
+3VALW	330	250	250 (wake enable)
+1.5VS	500	375	5 (Not wake enable)

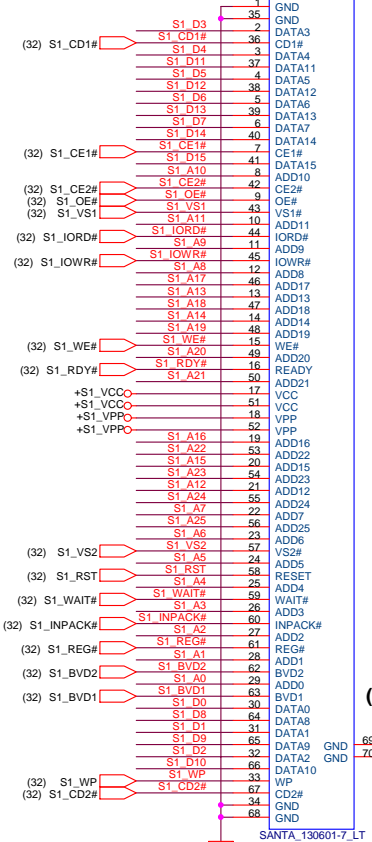
PCMCIA Power Control



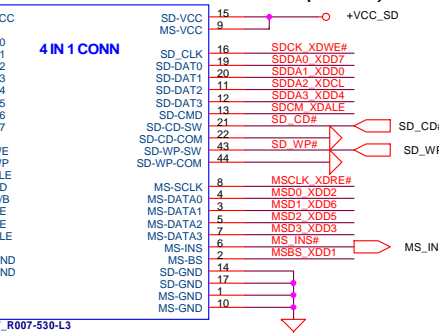
SD/MS Power Control XD Power Control



PCMCIA Socket

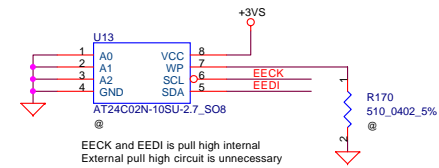
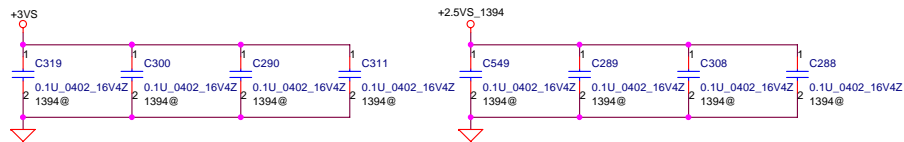


6 IN 1 Socket (HDQ70)

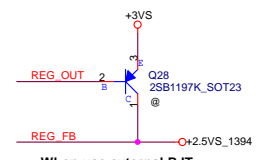


2006/4/13 modify

Security Classification	Compal Secret Data		Title	
Issued Date	2005/05/09	Deciphered Date	2006/06/20	SCHMATIC, M/B LA-3121P
THIS SHEET OF ENGINEERING DRAWING IS THE PROPRIETARY PROPERTY OF COMPAL ELECTRONICS, INC. AND CONTAINS CONFIDENTIAL AND TRADE SECRET INFORMATION. THIS SHEET MAY NOT BE TRANSFERRED FROM THE CUSTODY OF THE COMPETENT DIVISION OF R&D DEPARTMENT EXCEPT AS AUTHORIZED BY COMPAL ELECTRONICS, INC. NEITHER THIS SHEET NOR THE INFORMATION IT CONTAINS MAY BE USED BY OR DISCLOSED TO ANY THIRD PARTY WITHOUT PRIOR WRITTEN CONSENT OF COMPAL ELECTRONICS, INC.				
Size	Document Number	Rev		D
B	401411			
Date:	星期一, 五月 08, 2006	Sheet	33 of 51	



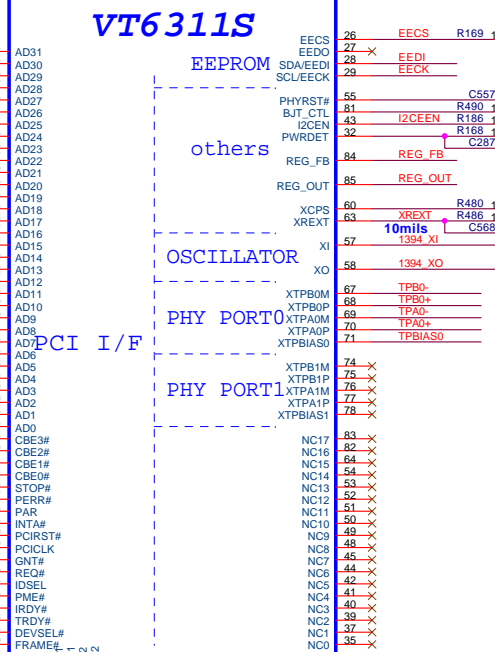
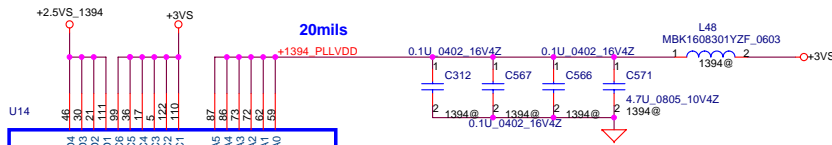
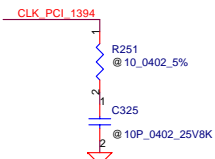
When use external EEPROM
Populate U13, R170, R186
Un-populate R169



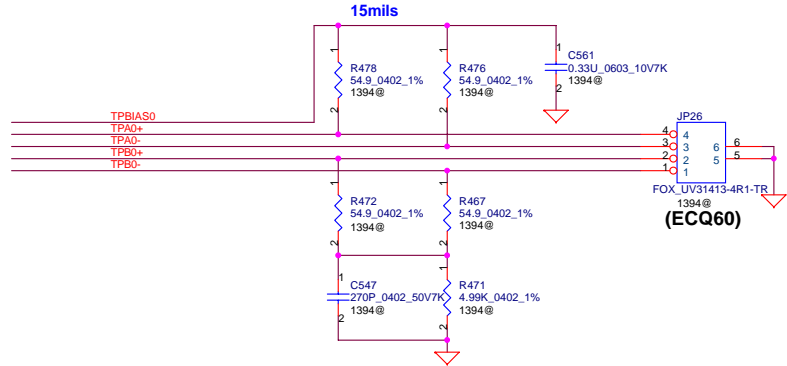
(18,26,31,32) PCI_AD[0..31] PCI_AD10..31

IDSEL:PCI_AD16
PCI_AD16 1 1394 IDSEL
R194 1394@100_0402_5%

- (18,26,31,32) PCI_CBE#3
- (18,26,31,32) PCI_CBE#2
- (18,26,31,32) PCI_CBE#1
- (18,26,31,32) PCI_CBE#0
- (18,26,31,32) PCI_STOP#
- (18,26,31,32) PCI_PERR#
- (18,26,31,32) PCI_PAR
- (18,32) PCI_PIRQE#
- (18,26,31,32,34) PCI_RST#
- (18) CLK_PCI_1394
- (18) PCI_GNT#0
- (18) PCI_REQ#0
- (18,26,31,32) PCI_IRDY#
- (18,26,31,32) PCI_TRDY#
- (18,26,31,32) PCI_DEVSEL#
- (18,26,31,32) PCI_FRAME#

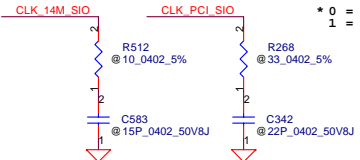
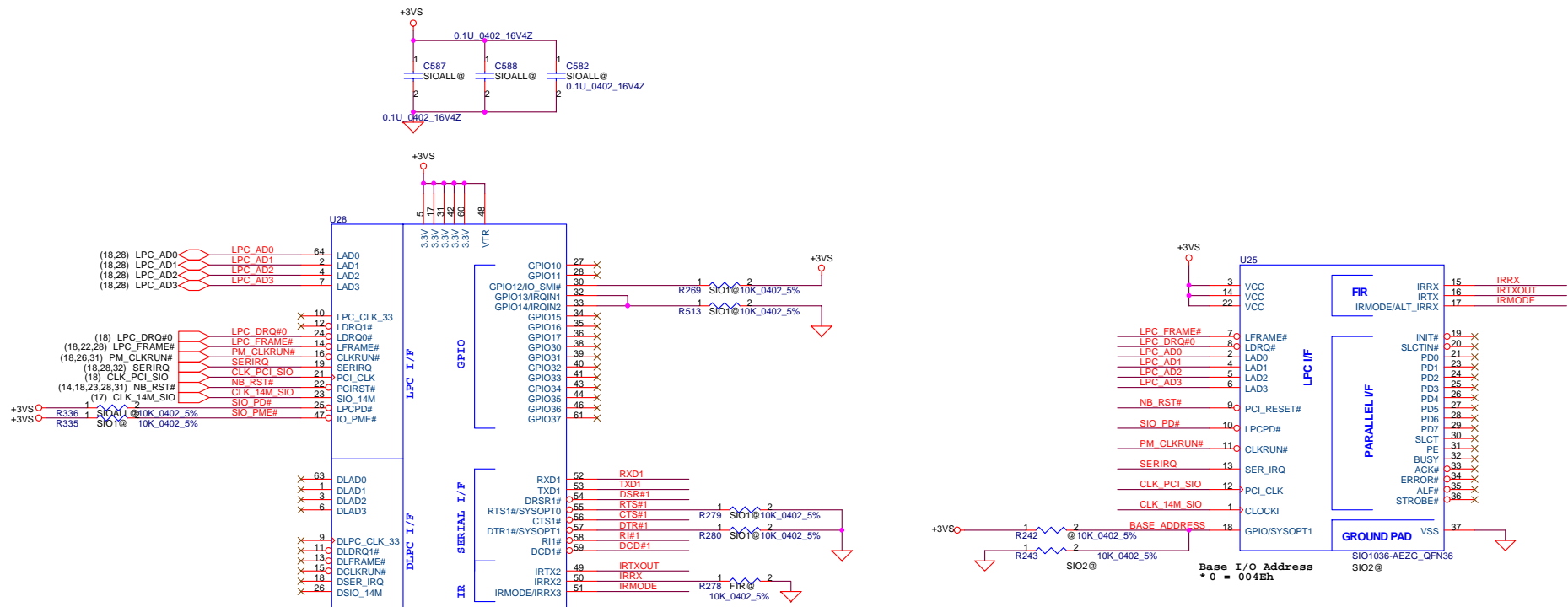


VIA 1394 with Sn-Bi part : SA0000P510

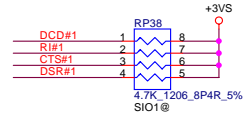
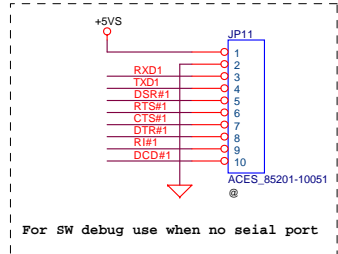


Security Classification	Compal Secret Data		Title	
Issued Date	2005/05/09	Deciphered Date	2006/06/20	Compal Electronics, Inc.
THIS SHEET OF ENGINEERING DRAWING IS THE PROPRIETARY PROPERTY OF COMPAL ELECTRONICS, INC. AND CONTAINS CONFIDENTIAL AND TRADE SECRET INFORMATION. THIS SHEET MAY NOT BE TRANSFERRED FROM THE CUSTODY OF THE COMPETENT DIVISION OF R&D DEPARTMENT EXCEPT AS AUTHORIZED BY COMPAL ELECTRONICS, INC. NEITHER THIS SHEET NOR THE INFORMATION IT CONTAINS MAY BE USED BY OR DISCLOSED TO ANY THIRD PARTY WITHOUT PRIOR WRITTEN CONSENT OF COMPAL ELECTRONICS, INC.				Size B
				Document Number
				401411
				Rev D
Date: 星期一, 五月 08, 2006				Sheet 35 of 51

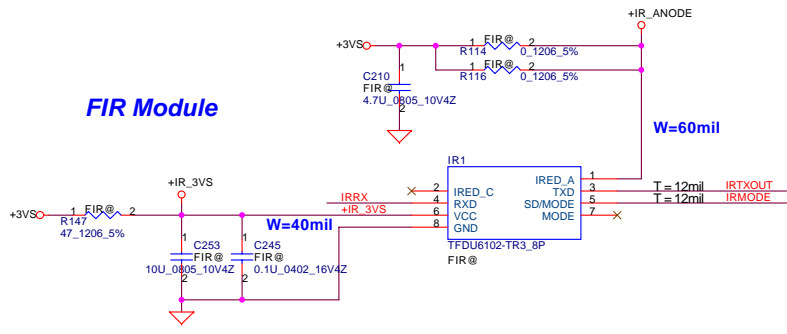
SUPER I/O SMsC LPC47N207



Place on the BOT side (near MINIPCI conn.)

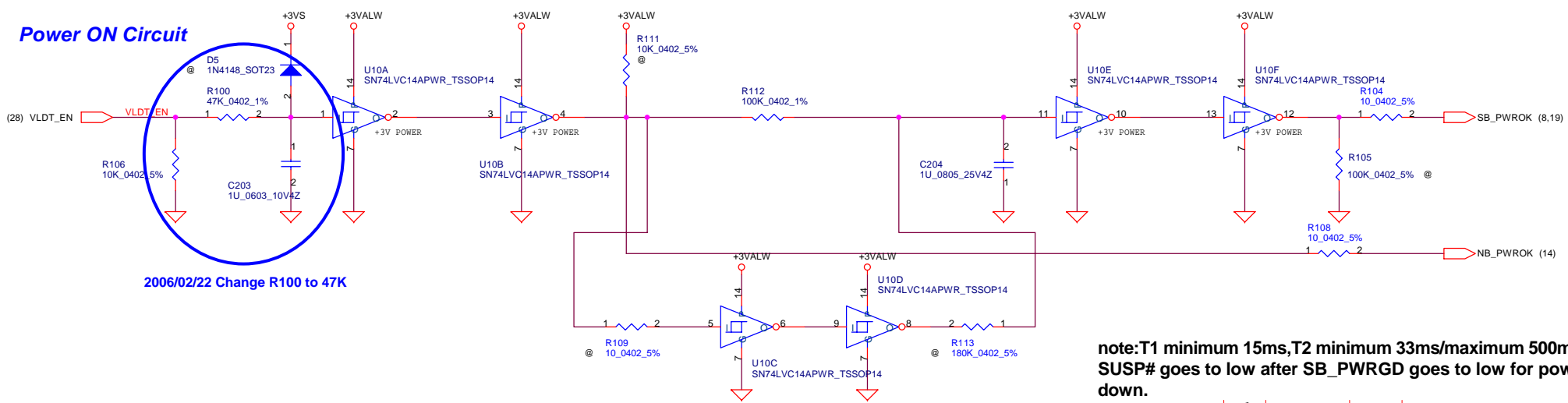


FIR Module

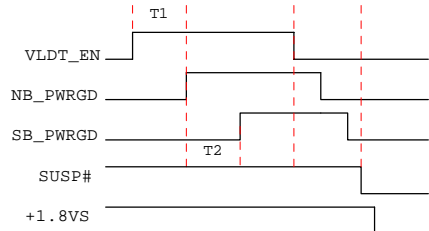


Security Classification	Compal Secret Data		Compal Electronics, Inc.	
Issued Date	2005/05/09	Deciphered Date	2006/06/20	
THIS SHEET OF ENGINEERING DRAWING IS THE PROPRIETARY PROPERTY OF COMPAL ELECTRONICS, INC. AND CONTAINS CONFIDENTIAL AND TRADE SECRET INFORMATION. THIS SHEET MAY NOT BE TRANSFERRED FROM THE CUSTODY OF THE COMPETENT DIVISION OF R&D DEPARTMENT EXCEPT AS AUTHORIZED BY COMPAL ELECTRONICS, INC. NEITHER THIS SHEET NOR THE INFORMATION IT CONTAINS MAY BE USED BY OR DISCLOSED TO ANY THIRD PARTY WITHOUT PRIOR WRITTEN CONSENT OF COMPAL ELECTRONICS, INC.			Title	SCHEMATIC, M/B LA-3121P
Size B	Document Number	401411	Rev D	
Date:	星期一, 五月 08, 2006	Sheet	36	of 51

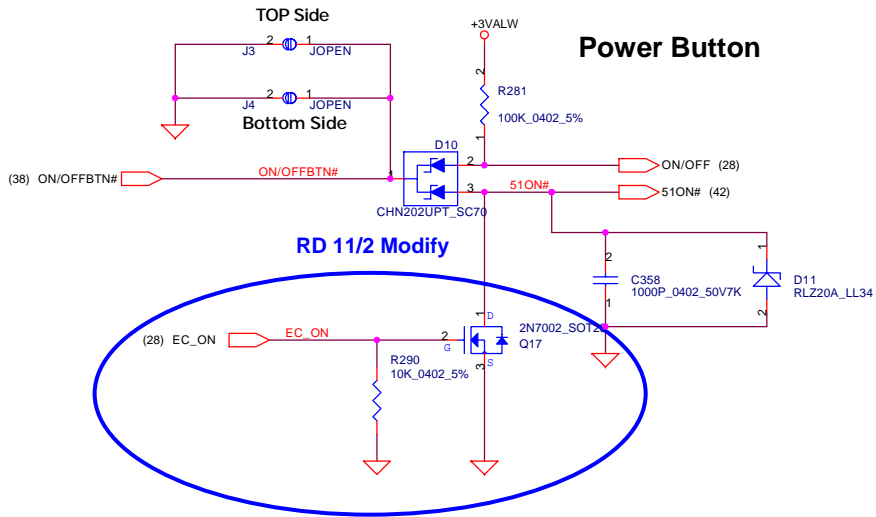
Power ON Circuit



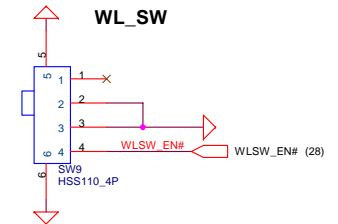
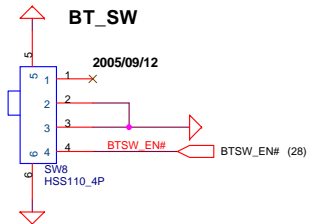
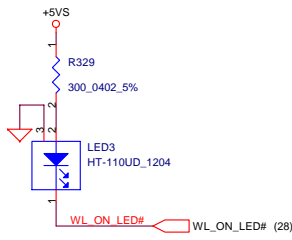
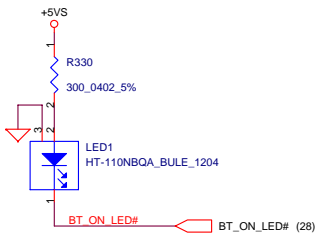
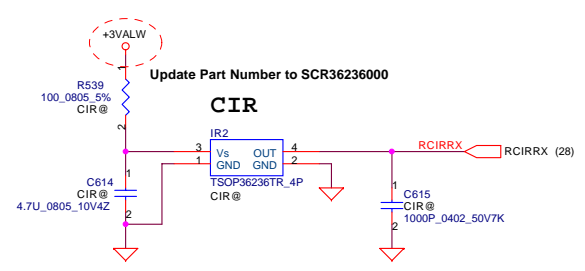
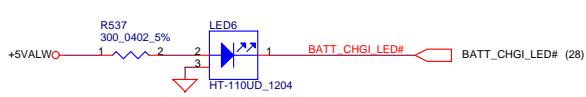
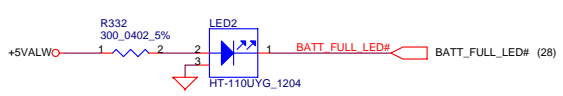
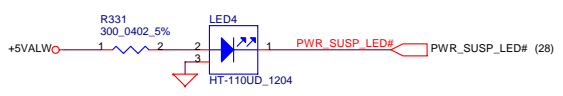
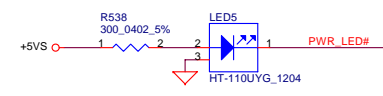
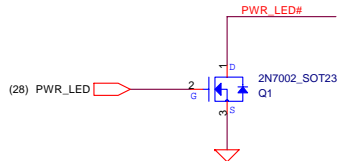
note: T1 minimum 15ms, T2 minimum 33ms/maximum 500ms, SUSP# goes to low after SB_PWRGD goes to low for power down.



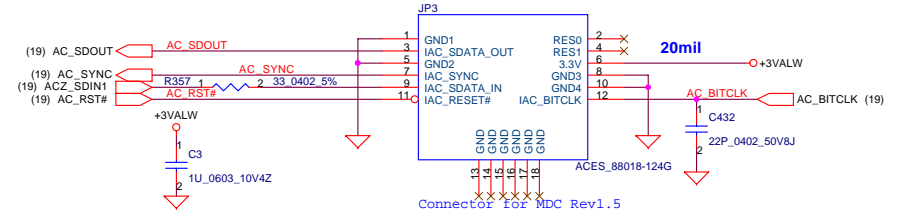
Power Button



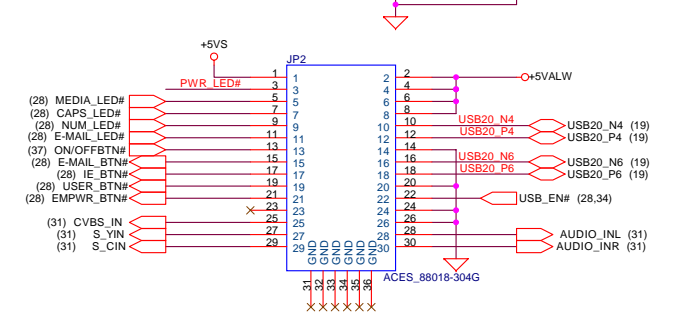
Security Classification		Compal Secret Data		Compal Electronics, inc.	
Issued Date	2005/05/09	Deciphered Date	2006/03/08	Title	SCHEMATIC, M/B LA-3121P
THIS SHEET OF ENGINEERING DRAWING IS THE PROPRIETARY PROPERTY OF COMPAL ELECTRONICS, INC. AND CONTAINS CONFIDENTIAL AND TRADE SECRET INFORMATION. THIS SHEET MAY NOT BE TRANSFERRED FROM THE CUSTODY OF THE COMPETENT DIVISION OF R&D DEPARTMENT EXCEPT AS AUTHORIZED BY COMPAL ELECTRONICS, INC. NEITHER THIS SHEET NOR THE INFORMATION IT CONTAINS MAY BE USED BY OR DISCLOSED TO ANY THIRD PARTY WITHOUT PRIOR WRITTEN CONSENT OF COMPAL ELECTRONICS, INC.				Size	Document Number
				B	401411
				Date:	Rev
				星期四, 五月 11, 2006	D
				Sheet	37 of 51



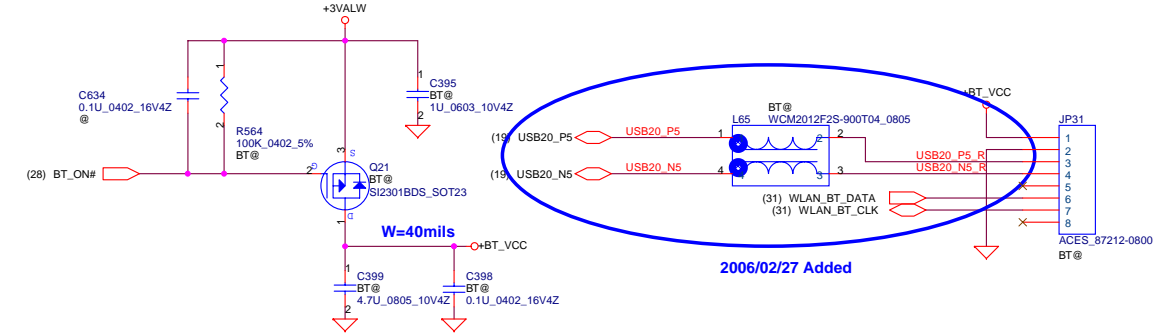
MDC Conn.



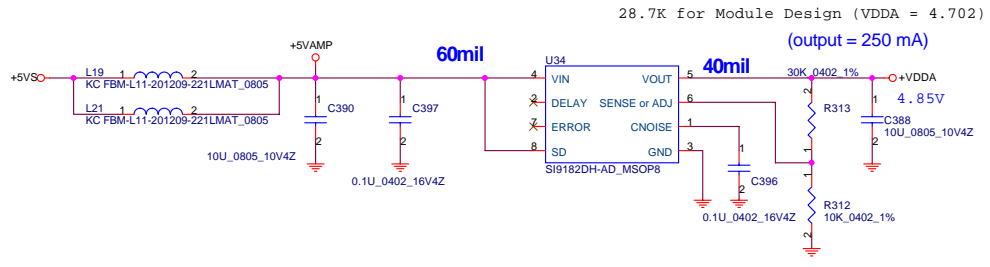
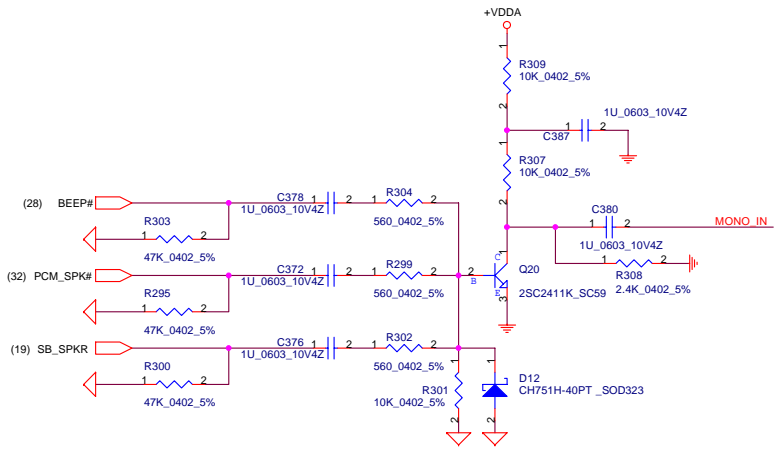
To LED/B Conn.



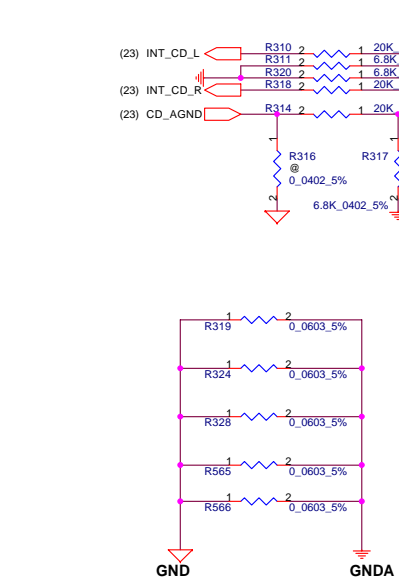
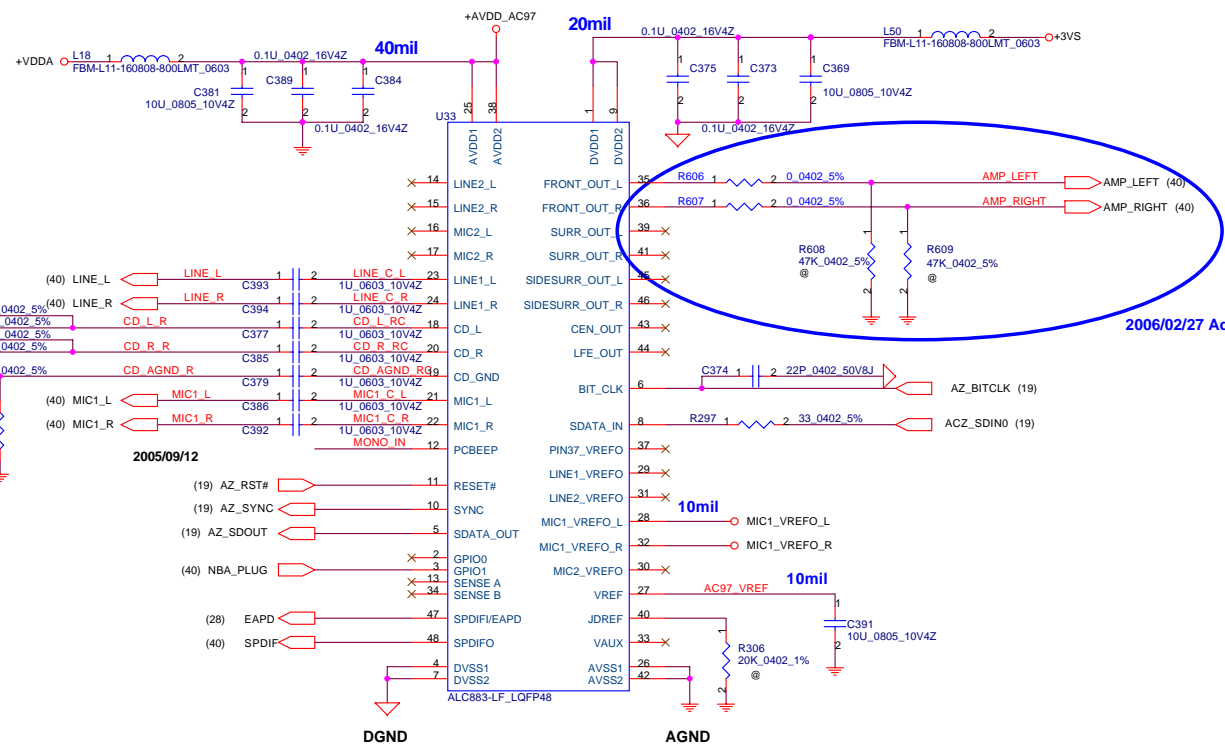
Bluetooth Conn.



Security Classification	Compal Secret Data		Compal Electronics, Inc.	
Issued Date	2005/05/09	Deciphered Date	2006/06/20	Title
THIS SHEET OF ENGINEERING DRAWING IS THE PROPRIETARY PROPERTY OF COMPAL ELECTRONICS, INC. AND CONTAINS CONFIDENTIAL AND TRADE SECRET INFORMATION. THIS SHEET MAY NOT BE TRANSFERRED FROM THE CUSTODY OF THE COMPETENT DIVISION OF R&D DEPARTMENT EXCEPT AS AUTHORIZED BY COMPAL ELECTRONICS, INC. NEITHER THIS SHEET NOR THE INFORMATION IT CONTAINS MAY BE USED BY OR DISCLOSED TO ANY THIRD PARTY WITHOUT PRIOR WRITTEN CONSENT OF COMPAL ELECTRONICS, INC.				SCHEMATIC, M/B LA-3121P
Size	Document Number	Rev D		Date
B	401411			星期一, 五月 08, 2006
		Sheet	38	of 51



HD Audio Codec



2005/09/12

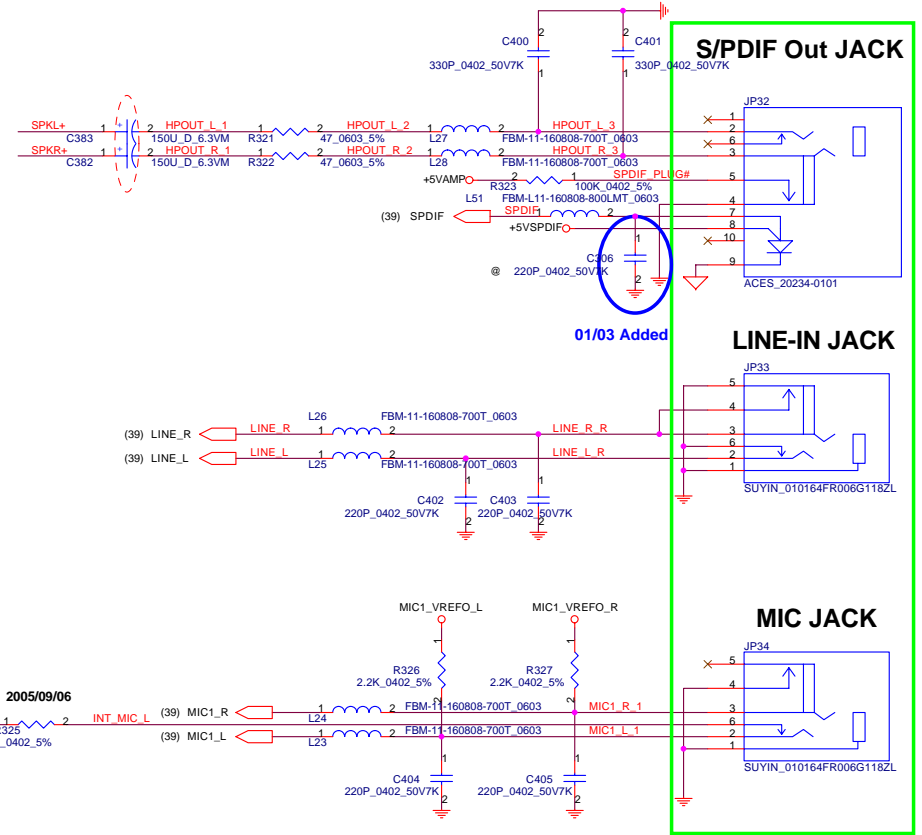
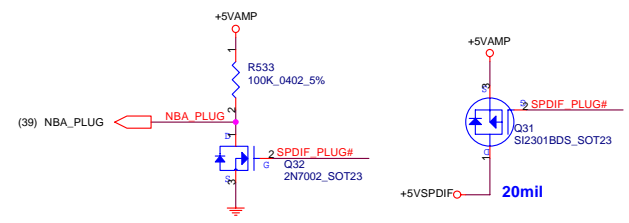
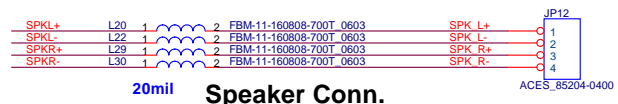
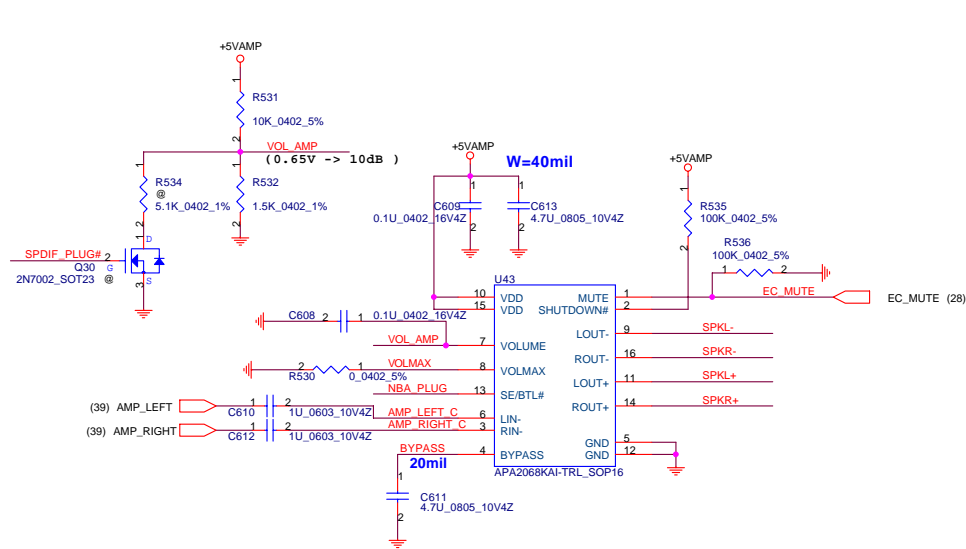
- (19) AZ_RST#
- (19) AZ_SYNC
- (19) AZ_SDOUT
- (40) NBA_PLUG
- (28) EAPD
- (40) SPDIF

DGND

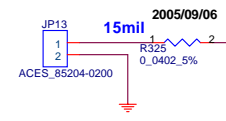
AGND

Security Classification	Compal Secret Data	
Issued Date	2005/05/09	Deciphered Date
		2006/06/20
<small>THIS SHEET OF ENGINEERING DRAWING IS THE PROPRIETARY PROPERTY OF COMPAL ELECTRONICS, INC. AND CONTAINS CONFIDENTIAL AND TRADE SECRET INFORMATION. THIS SHEET MAY NOT BE TRANSFERRED FROM THE CUSTODY OF THE COMPETENT DIVISION OF R&D DEPARTMENT EXCEPT AS AUTHORIZED BY COMPAL ELECTRONICS, INC. NEITHER THIS SHEET NOR THE INFORMATION IT CONTAINS MAY BE USED BY OR DISCLOSED TO ANY THIRD PARTY WITHOUT PRIOR WRITTEN CONSENT OF COMPAL ELECTRONICS, INC.</small>		

Compal Electronics, Inc.		
Title		
SCHEMATIC, M/B LA-3121P		
Size	Document Number	Rev
B	401411	D
Date:	日期: 五月 08, 2006	Sheet 39 of 51

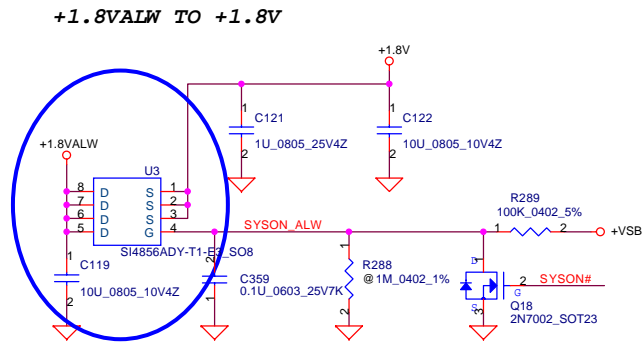
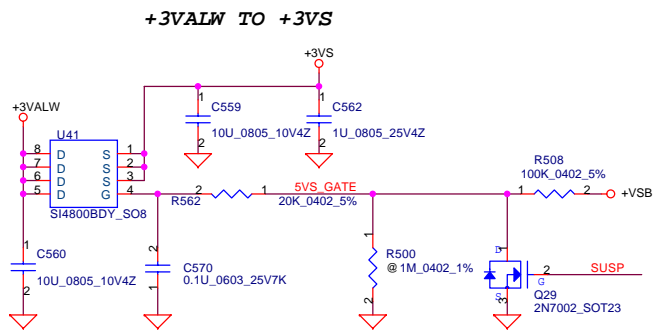


Int MIC Conn.

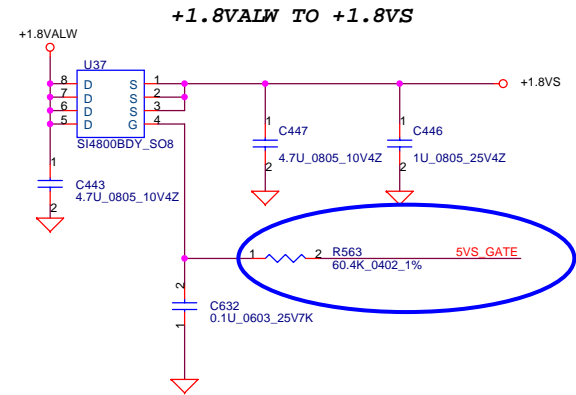


Security Classification		Compal Secret Data	
Issued Date	2005/05/09	Deciphered Date	2006/06/20
THIS SHEET OF ENGINEERING DRAWING IS THE PROPRIETARY PROPERTY OF COMPAL ELECTRONICS, INC. AND CONTAINS CONFIDENTIAL AND TRADE SECRET INFORMATION. THIS SHEET MAY NOT BE TRANSFERRED FROM THE CUSTODY OF THE COMPETENT DIVISION OF R&D DEPARTMENT EXCEPT AS AUTHORIZED BY COMPAL ELECTRONICS, INC. NEITHER THIS SHEET NOR THE INFORMATION IT CONTAINS MAY BE USED BY OR DISCLOSED TO ANY THIRD PARTY WITHOUT PRIOR WRITTEN CONSENT OF COMPAL ELECTRONICS, INC.			

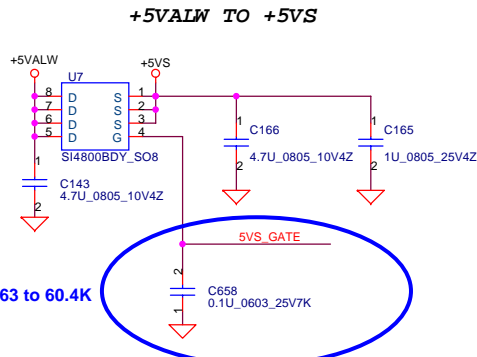
Compal Electronics, Inc.			
Title SCHEMATIC, M/B LA-3121P			
Size B	Document Number 401411	Rev D	Date 星期一, 五月 08, 2006
Sheet 40 of 51			



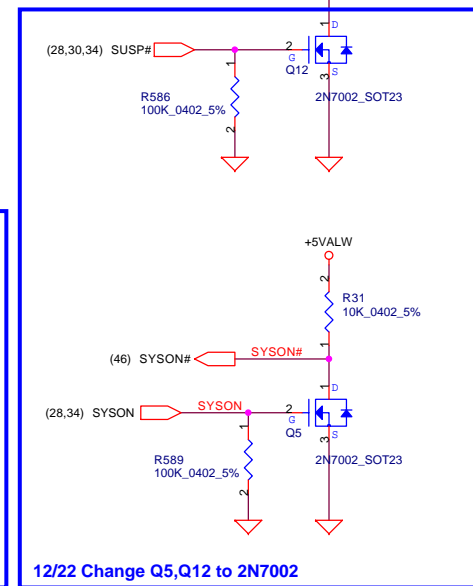
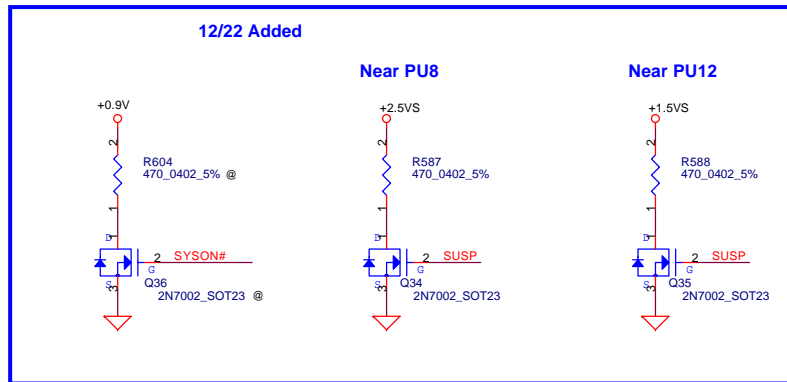
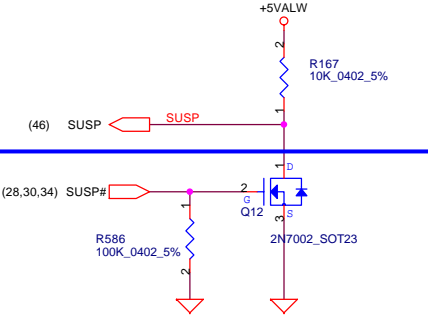
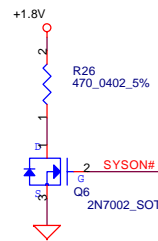
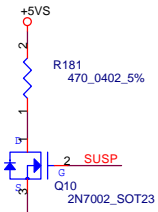
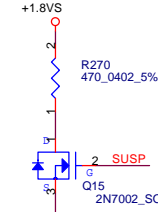
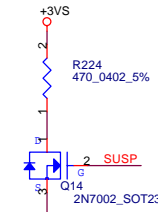
12/30 Change U3 to SI4856ADY



12/30 Change R563 to 60.4K

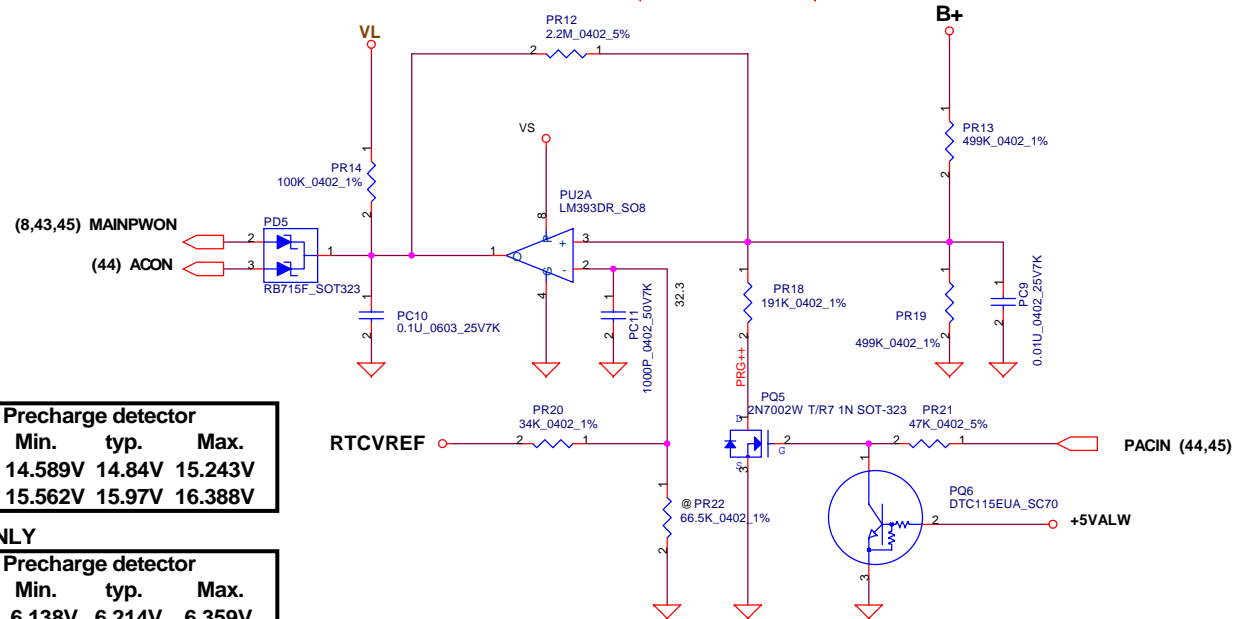
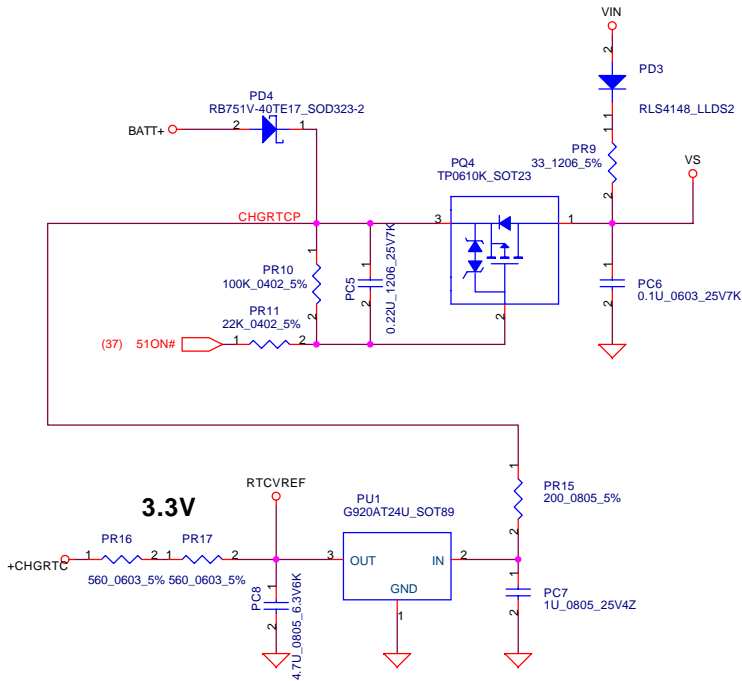
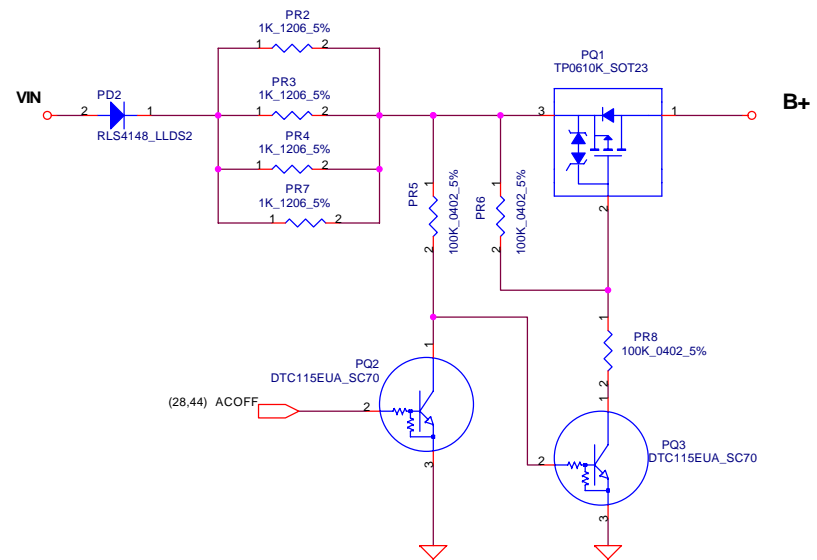
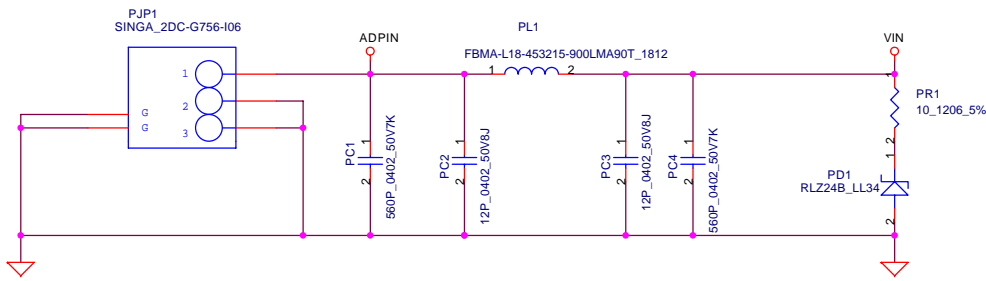


2006/2/22 Add C658 0.1uF
2006/4/13 modify package for lead-free part



12/22 Change Q5,Q12 to 2N7002

Security Classification		Compal Secret Data		Title	
Issued Date	2005/05/09	Deciphered Date	2006/03/08	SCHEMATIC, M/B LA-3121P	
THIS SHEET OF ENGINEERING DRAWING IS THE PROPRIETARY PROPERTY OF COMPAL ELECTRONICS, INC. AND CONTAINS CONFIDENTIAL AND TRADE SECRET INFORMATION. THIS SHEET MAY NOT BE TRANSFERRED FROM THE CUSTODY OF THE COMPETENT DIVISION OF R&D DEPARTMENT EXCEPT AS AUTHORIZED BY COMPAL ELECTRONICS, INC. NEITHER THIS SHEET NOR THE INFORMATION IT CONTAINS MAY BE USED BY OR DISCLOSED TO ANY THIRD PARTY WITHOUT PRIOR WRITTEN CONSENT OF COMPAL ELECTRONICS, INC.					
Size	Document Number	Date		Sheet	Rev
B	401411	星期四, 五月 11, 2006		41 of 51	D



ACIN

Precharge detector

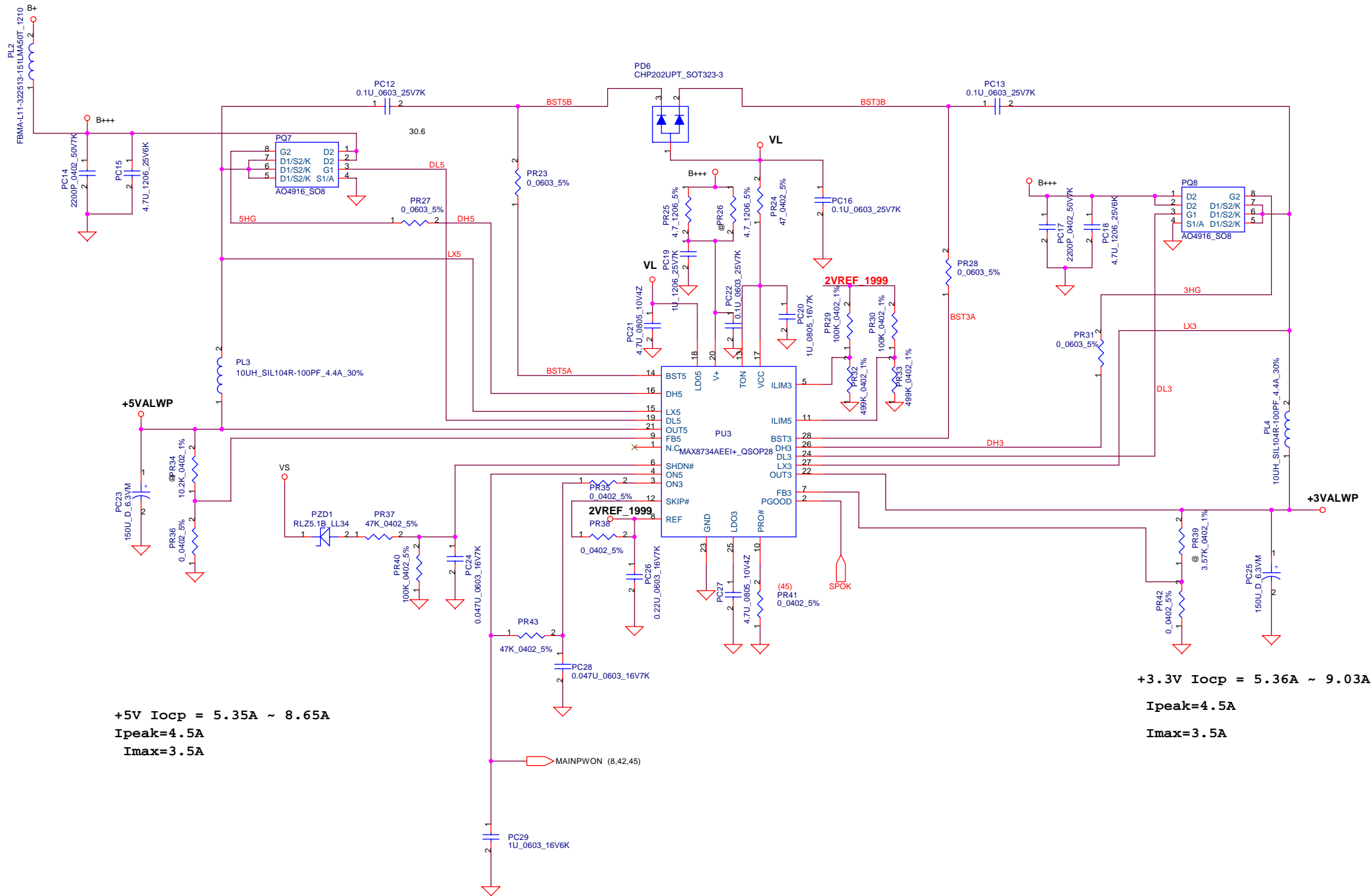
	Min.	typ.	Max.
H->L	14.589V	14.84V	15.243V
L->H	15.562V	15.97V	16.388V

BATT ONLY

Precharge detector

	Min.	typ.	Max.
H->L	6.138V	6.214V	6.359V
L->H	7.196V	7.349V	7.505V

Security Classification		Compal Secret Data		Compal Electronics, Inc.	
Issued Date	2005/05/09	Deciphered Date	2006/09/26	Title	SCHMATIC, M/B LA-3121P
THIS SHEET OF ENGINEERING DRAWING IS THE PROPRIETARY PROPERTY OF COMPAL ELECTRONICS, INC. AND CONTAINS CONFIDENTIAL AND TRADE SECRET INFORMATION. THIS SHEET MAY NOT BE TRANSFERRED FROM THE CUSTODY OF THE COMPETENT DIVISION OF R&D DEPARTMENT EXCEPT AS AUTHORIZED BY COMPAL ELECTRONICS, INC. NEITHER THIS SHEET NOR THE INFORMATION IT CONTAINS MAY BE USED BY OR DISCLOSED TO ANY THIRD PARTY WITHOUT PRIOR WRITTEN CONSENT OF COMPAL ELECTRONICS, INC.				Size B	Document Number 401411
				Date: 星期四, 五月 11, 2006	Sheet 42 of 51

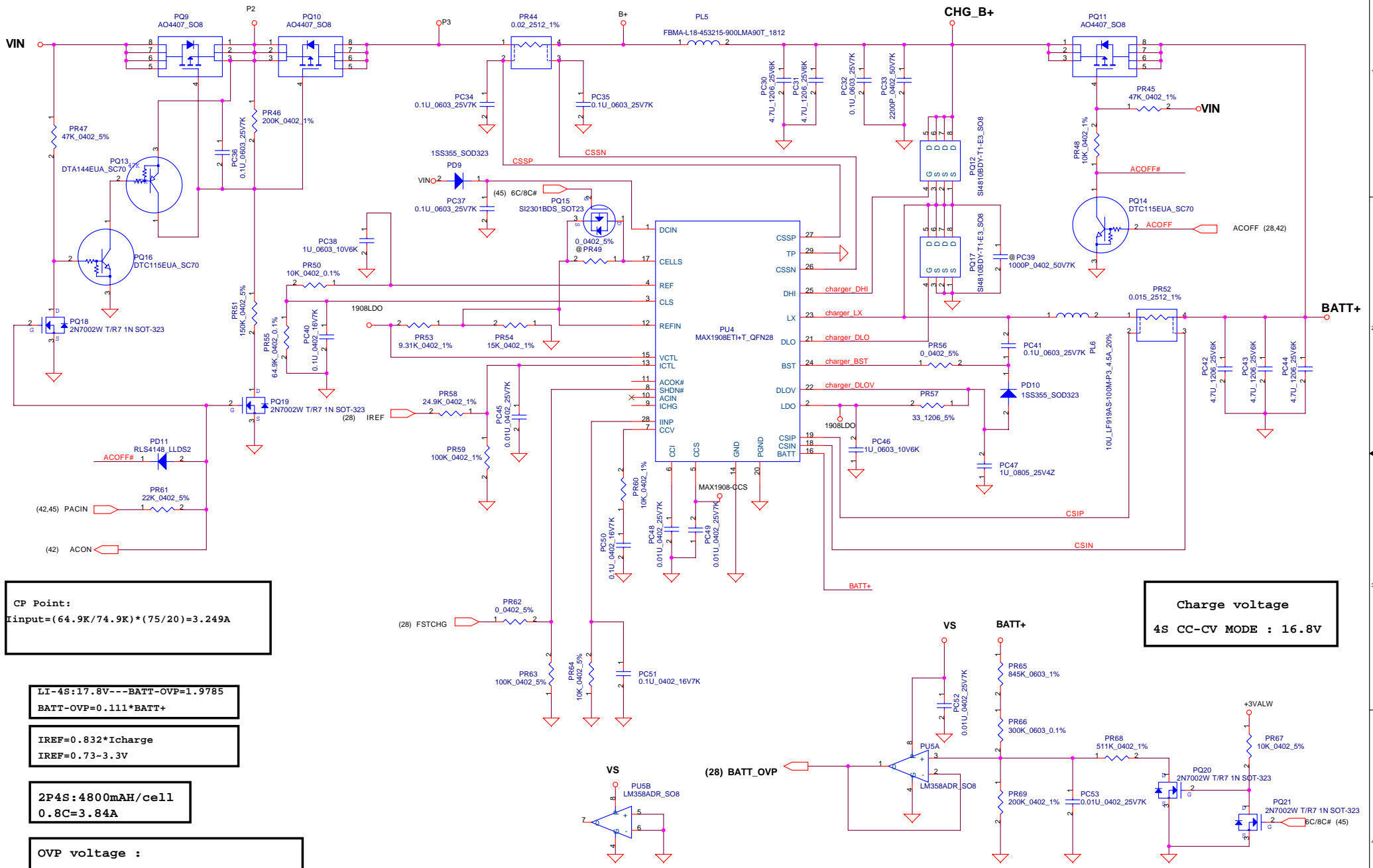


+5V Iocp = 5.35A ~ 8.65A
Ipeak=4.5A
Imax=3.5A

+3.3V Iocp = 5.36A ~ 9.03A
Ipeak=4.5A
Imax=3.5A

Security Classification		Compal Secret Data		Compal Electronics, Inc.	
Issued Date	2005/05/09	Deciphered Date	2006/09/26	Title	SCHMATIC, MB LA-3121P
THIS SHEET OF ENGINEERING DRAWING IS THE PROPRIETARY PROPERTY OF COMPAL ELECTRONICS, INC. AND CONTAINS CONFIDENTIAL AND TRADE SECRET INFORMATION. THIS SHEET MAY NOT BE TRANSFERRED FROM THE CUSTODY OF THE COMPETENT DIVISION OF R&D DEPARTMENT EXCEPT AS AUTHORIZED BY COMPAL ELECTRONICS, INC. NEITHER THIS SHEET NOR THE INFORMATION IT CONTAINS MAY BE USED BY OR DISCLOSED TO ANY THIRD PARTY WITHOUT PRIOR WRITTEN CONSENT OF COMPAL ELECTRONICS, INC.				Size	Document Number
				Custom	401411
				Date:	星期四, 五月 11, 2006
				Sheet	43 of 51
				Rev	D

I_{adp}=0~3.25A(65W)



CP Point:
 $I_{in} = (64.9K / 74.9K) * (75 / 20) = 3.249A$

LI-4S: 17.8V --- BATT-OVP=1.9785
 BATT-OVP=0.111*BATT+

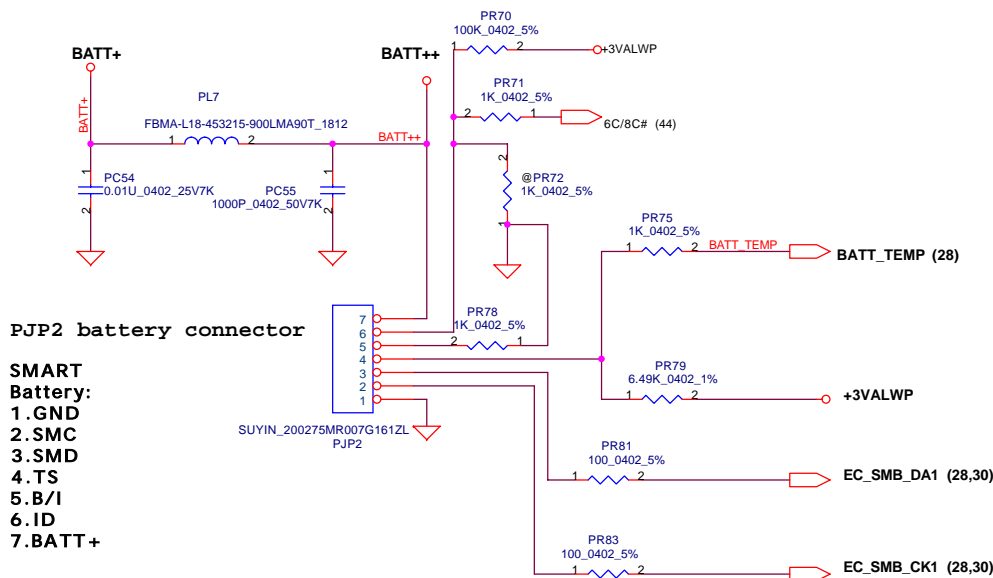
IREF=0.832*Icharge
 IREF=0.73~3.3V

2P4S: 4800mAh/cell
 0.8C=3.84A

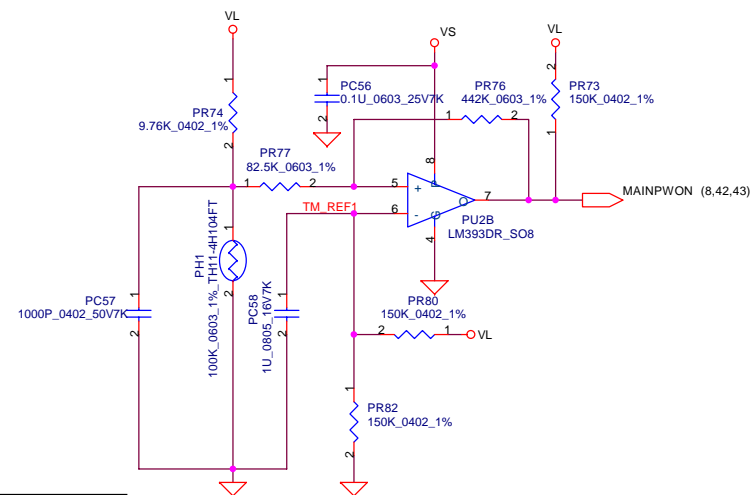
OVP voltage :
 LI-3S : 17.8V --- BATT-OVP=1.9758V
 BATT-OVP=0.111*BATT+

Charge voltage
 4S CC-CV MODE : 16.8V

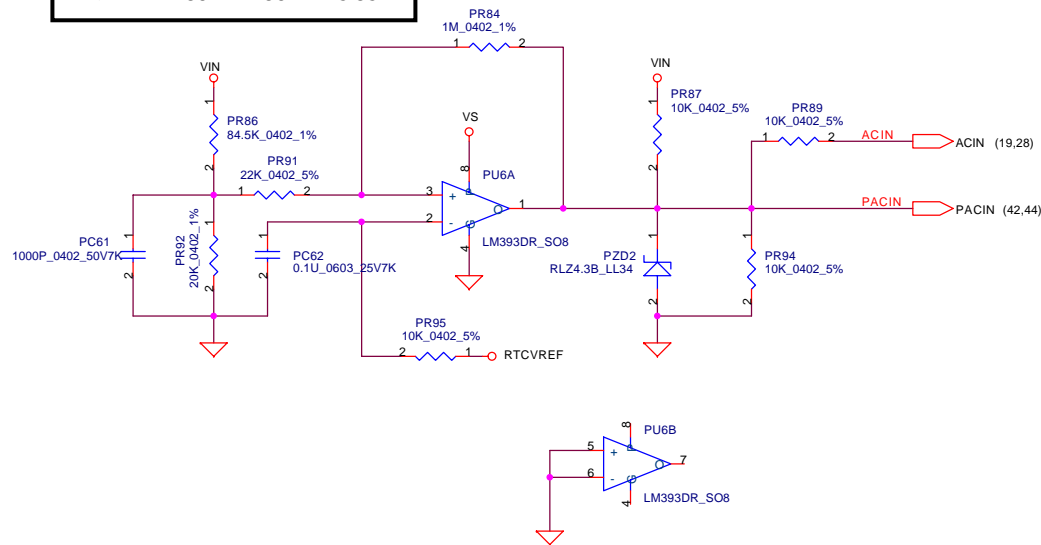
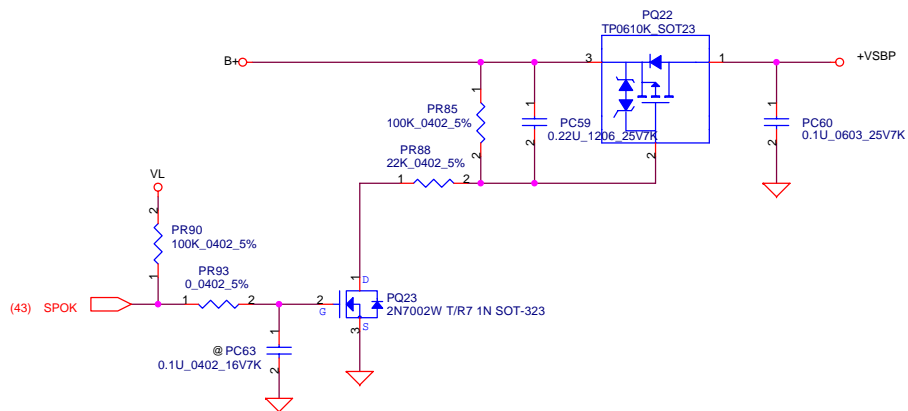
Security Classification	Compal Secret Data		Title	Compal Electronics, Inc.	
Issued Date	2005/05/09	Deciphered Date	2006/09/26	SCHEMATIC, M/B LA-3121P	
THIS SHEET OF ENGINEERING DRAWING IS THE PROPRIETARY PROPERTY OF COMPAL ELECTRONICS, INC. AND CONTAINS CONFIDENTIAL AND TRADE SECRET INFORMATION. THIS SHEET MAY NOT BE TRANSFERRED FROM THE CUSTODY OF THE COMPETENT DIVISION OF R&D DEPARTMENT EXCEPT AS AUTHORIZED BY COMPAL ELECTRONICS, INC. NEITHER THIS SHEET NOR THE INFORMATION IT CONTAINS MAY BE USED BY OR DISCLOSED TO ANY THIRD PARTY WITHOUT PRIOR WRITTEN CONSENT OF COMPAL ELECTRONICS, INC.					
Size	Document Number	Date		Sheet	Rev
B	401411	星期四, 五月 11, 2006		44	D
				of	51



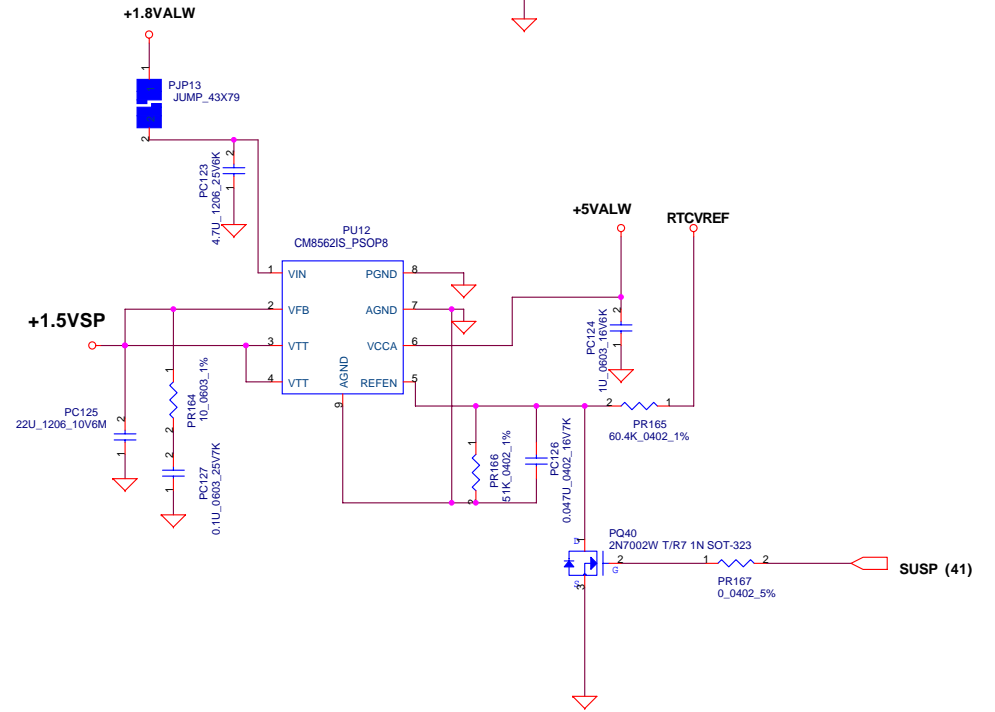
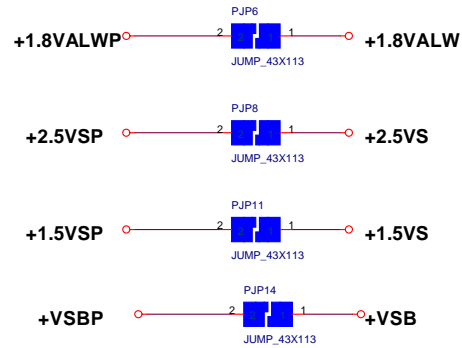
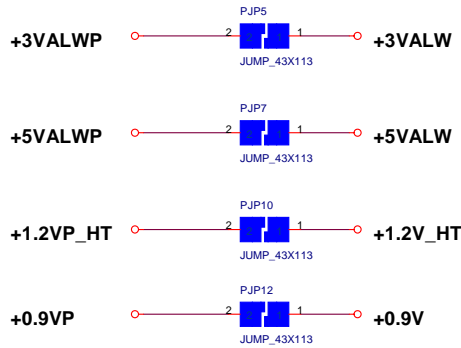
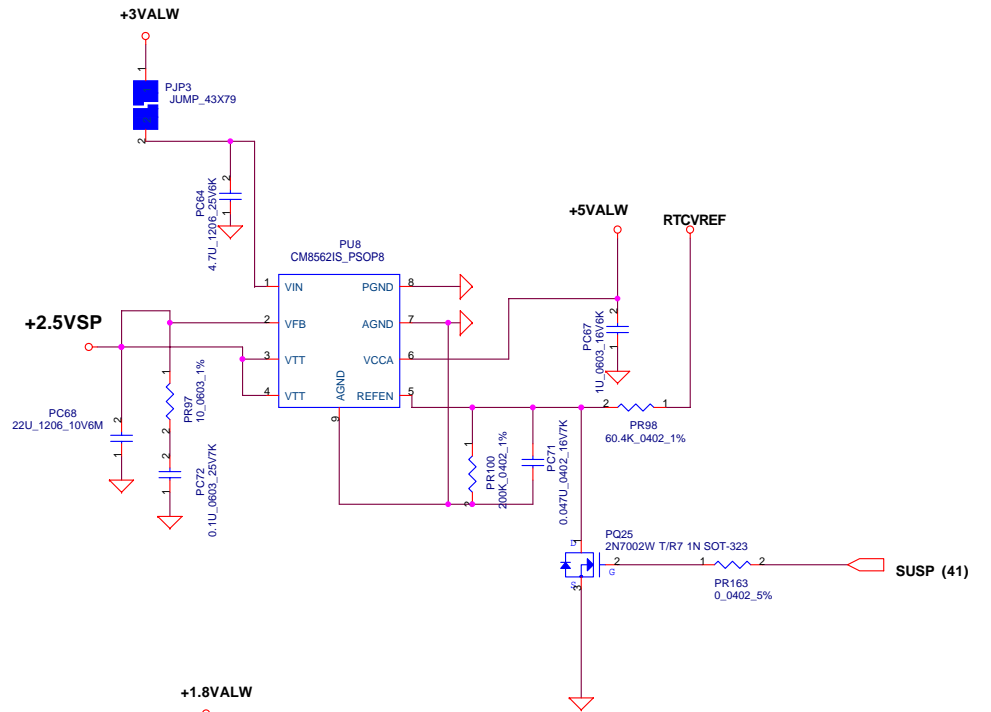
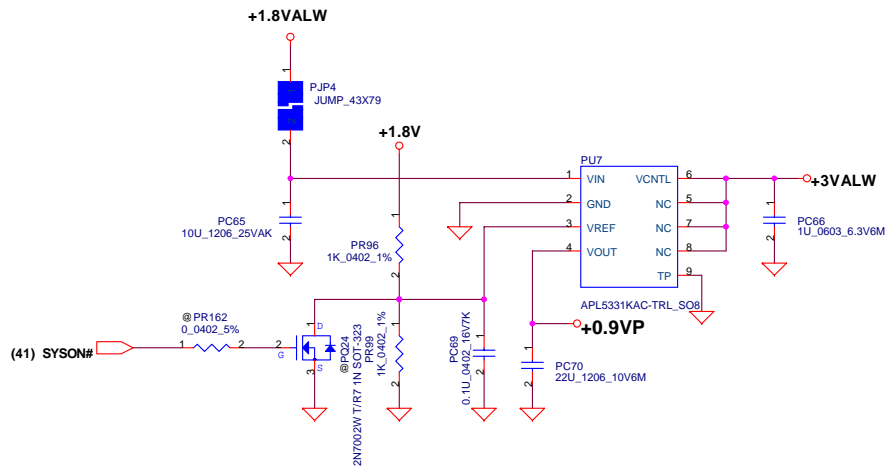
PH1 under CPU bottom side :
 CPU thermal protection at 90 degree C
 Recovery at 70 degree C



Vin Detector
 Min. typ. Max.
 H->L 16.976V 17.257V 17.728V
 L->H 17.430V 17.901V 18.384V

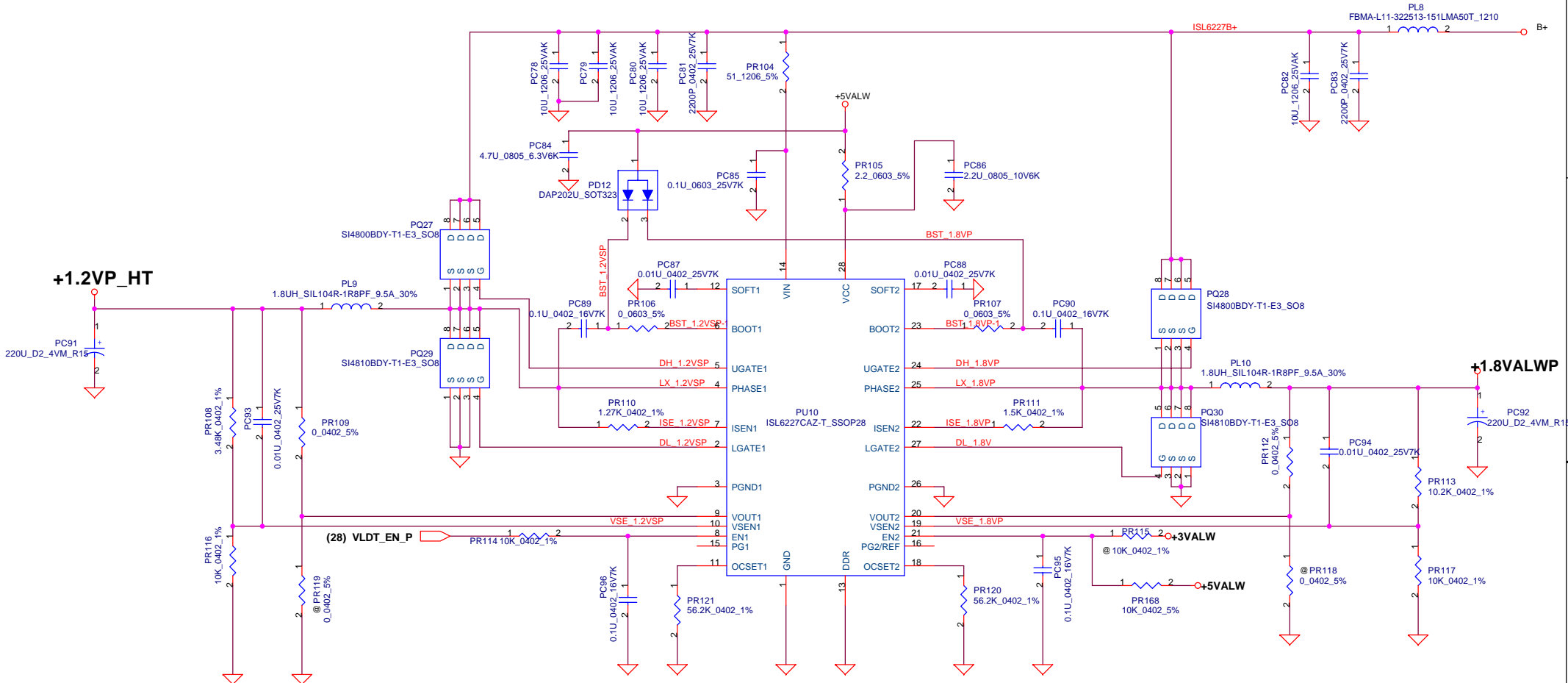


Security Classification		Compal Secret Data		Compal Electronics, Inc.	
Issued Date	2005/05/09	Deciphered Date	2006/09/26	Title	SCHMATIC, M/B LA-3121P
THIS SHEET OF ENGINEERING DRAWING IS THE PROPRIETARY PROPERTY OF COMPAL ELECTRONICS, INC. AND CONTAINS CONFIDENTIAL AND TRADE SECRET INFORMATION. THIS SHEET MAY NOT BE TRANSFERRED FROM THE CUSTODY OF THE COMPETENT DIVISION OF R&D DEPARTMENT EXCEPT AS AUTHORIZED BY COMPAL ELECTRONICS, INC. NEITHER THIS SHEET NOR THE INFORMATION IT CONTAINS MAY BE USED BY OR DISCLOSED TO ANY THIRD PARTY WITHOUT PRIOR WRITTEN CONSENT OF COMPAL ELECTRONICS, INC.				Size B	Document Number 401411
Date:	星期四, 五月 11, 2006	Sheet	45 of 51	Rev	D



Security Classification	Compal Secret Data		
Issued Date	2005/05/09	Deciphered Date	2006/09/26
THIS SHEET OF ENGINEERING DRAWING IS THE PROPRIETARY PROPERTY OF COMPAL ELECTRONICS, INC. AND CONTAINS CONFIDENTIAL AND TRADE SECRET INFORMATION. THIS SHEET MAY NOT BE TRANSFERRED FROM THE CUSTODY OF THE COMPETENT DIVISION OF R&D DEPARTMENT EXCEPT AS AUTHORIZED BY COMPAL ELECTRONICS, INC. NEITHER THIS SHEET NOR THE INFORMATION IT CONTAINS MAY BE USED BY OR DISCLOSED TO ANY THIRD PARTY WITHOUT PRIOR WRITTEN CONSENT OF COMPAL ELECTRONICS, INC.			

Compal Electronics, Inc.			
SCHEMATIC, M/B LA-3121P			
Title	Document Number	Rev	
	401411	D	
Date:	2006年5月11日	Sheet	46 of 51



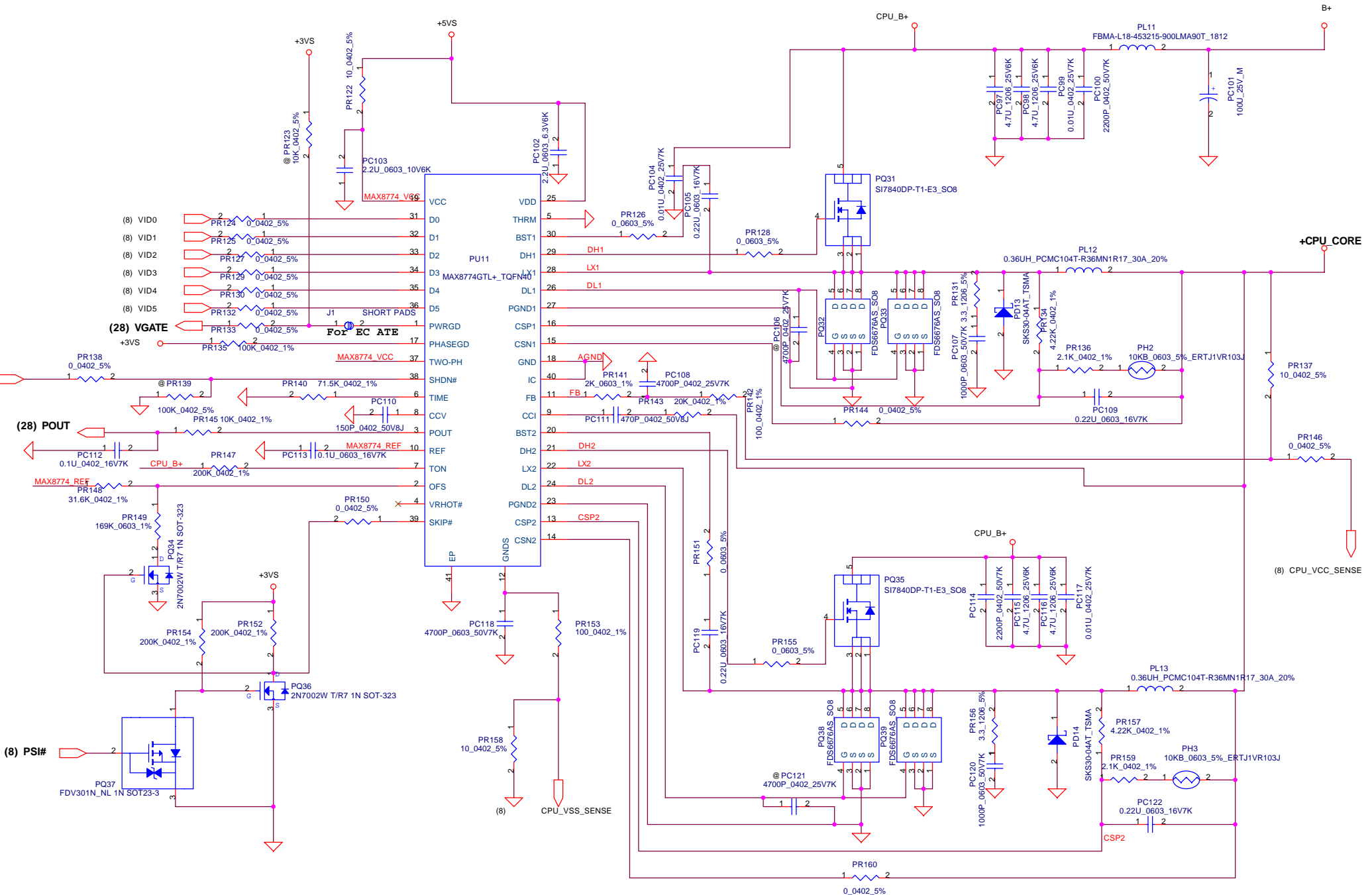
+1.2VP_HT

+1.8VALWP

I_{peak}=6.47A, I_{max}=6.47*0.7=4.53A
I_{ocpmin}=7.79A
I_{ocpmax}=11.83A

I_{peak}=8.5A, I_{max}=6A
I_{ocpmin}=8.76A
I_{ocpmax}=13.46A

Security Classification		Compal Secret Data		Compal Electronics, Inc.	
Issued Date	2005/05/09	Deciphered Date	2006/09/26		
THIS SHEET OF ENGINEERING DRAWING IS THE PROPRIETARY PROPERTY OF COMPAL ELECTRONICS, INC. AND CONTAINS CONFIDENTIAL AND TRADE SECRET INFORMATION. THIS SHEET MAY NOT BE TRANSFERRED FROM THE CUSTODY OF THE COMPETENT DIVISION OF R&D DEPARTMENT EXCEPT AS AUTHORIZED BY COMPAL ELECTRONICS, INC. NEITHER THIS SHEET NOR THE INFORMATION IT CONTAINS MAY BE USED BY OR DISCLOSED TO ANY THIRD PARTY WITHOUT PRIOR WRITTEN CONSENT OF COMPAL ELECTRONICS, INC.					
Size Custom	Document Number	Date:		Rev D	
	401411	日期: 五月 11, 2006		Sheet 47 of 51	



Security Classification		Compal Secret Data		Compal Electronics, Inc. Title SCHEMATIC, M/B LA-3121P	
Issued Date	2005/05/09	Deciphered Date	2006/09/26		
THIS SHEET OF ENGINEERING DRAWING IS THE PROPRIETARY PROPERTY OF COMPAL ELECTRONICS, INC. AND CONTAINS CONFIDENTIAL AND TRADE SECRET INFORMATION. THIS SHEET MAY NOT BE TRANSFERRED FROM THE CUSTODY OF THE COMPETENT DIVISION OF R&D DEPARTMENT EXCEPT AS AUTHORIZED BY COMPAL ELECTRONICS, INC. NEITHER THIS SHEET NOR THE INFORMATION IT CONTAINS MAY BE USED BY OR DISCLOSED TO ANY THIRD PARTY WITHOUT PRIOR WRITTEN CONSENT OF COMPAL ELECTRONICS, INC.					
Size	Document Number	401411		Rev	D
Custom	Date:	星期四, 五月 11, 2006	Sheet	48	of 51

Version change list (P.I.R. List)

Item	Fixed Issue	Reason for change	Rev.	PG#	Modify List	VER	Phase
1	Schematic update.	Because schematic update, we don't need this two parts.	0.1	46	Delete PQ24 SB000005M10.	0.1	EVT
2	Schematic update.	Because schematic update, we don't need this two parts.	0.1	46	Delete PR162 SD028000080.	0.1	EVT
3	BOM error	BOM error	0.1	44	Change PQ15 from SB923010010 to SB923010020.	0.1	EVT
4	BOM error	BOM error	0.1	48	Change PQ37 from SB503010004 to SB503010010	0.1	EVT
5	MOSFET thermal issue	Because we need to reduce MOSFET teperature of high side mos.	0.1	48	Change PQ31 and PQ35 from SB562940000 to SB578400080.	0.1	EVT
6	BOM error	BOM error	0.1	42	Change PL1,PL5,PL7 and PL11 form SM010018210 to SM010020720.	0.1	EVT
7	BOM error	BOM error	0.1	47	Change PR121 from SD000001500 to SD000001580.	0.1	EVT
8	BOM error	BOM error	0.1	48	Change PR149 from SD014169300 to SD014169380.	0.1	EVT
9	BOM error	BOM error	0.1	44	Change PR55 from SD034100380 to SD034100280.	0.1	EVT
10	BOM error	BOM error	0.1	44	Change PR50 from SD034576280 to SD034140280.	0.1	EVT
11	BOM error	BOM error	0.1	48	Change PR148 from SD034316200 to SD034316280.	0.1	EVT
12	BOM error	BOM error	0.1	44	Change PC52,PC53,PC54,PC87,PC88,PC93 and PC94 from SE075103Z00 to SE075103K80.	0.1	EVT
13	BOM error	BOM error	0.1	46	Change PC70 from SE153106K80 to SE116226M80.	0.1	EVT
14	High limit issue.	Because the high is limited, we need to reduce space.	0.1	48	Change PC101 from SF22004M210 to SF10004M080.	0.1	EVT
15	BOM error	BOM error	0.1	48	Add PR137 and PR158 SD028100A80.	0.1	EVT
16	Power sequence adjust.	Power sequence adjust.	0.1	47	Add PR168 SD034100280.	0.1	EVT
17	Power sequence adjust.	Power sequence adjust.	0.1	47	Delete PR115 SD034100280.	0.1	EVT
18	BOM cost issue.	BOM cost issue.	0.1	42	Change PQ5,PQ18,PQ19,PQ20,PQ21,PQ23,PQ25,PQ34,PQ36,PQ40 from SB000005M10 to SB000006800.	0.1	EVT

Compal Electronics, Inc.			
Title SCHEMATIC, M/B LA-3121P			
Size	Document Number	401411	Rev D
Date:	星期日, 五月 11, 2006	Sheet	49 of 51

Version change list (P.I.R. List)

Item	Fixed Issue	Reason for change	Rev.	PG#	Modify List	VER	Phase
1	Charger accuracy issue.	Increase charger accuracy to meet customer request.	0.2	44	Change PR44 from SE000001E00 to SE000001F00.	0.1	EVT
2	Charger accuracy issue.	Increase charger accuracy to meet customer request.	0.2	44	Change PR50 form SD034140280 to SD000008B00.	0.1	EVT
3	Charger accuracy issue.	Increase charger accuracy to meet customer request.	0.2	44	Change PR55 from SD034100280 to SD000000CL80.	0.1	EVT
4	Improve IC risk.	Improve IC risk.	0.2	44	Change PR60 from SD034100180 to SD034100280.	0.1	EVT
5	Improve OCP point.	Improve OCP point.	0.3	43	Change PR29 and PR30 from SD034200380 to SD034100380	0.1	EVT
6	Improve OCP point.	Improve OCP point.	0.3	47	Change PR120 from SD034499280 to SD000001580.	0.1	EVT
7	Improve ripple voltage.	Improve ripple voltage.	0.4	46	Change PC68 and PC125 from SE142475K80 to SE116226M80.	0.2	DVT
8	Incesr +1.2VP_HT voltage.	Incesr +1.2VP_HT voltage.	0.4	47	Change PR108 from SD034340180 to SH034348180.	0.2	DVT
9	Incesr +1.8VALWP voltage.	Incesr +1.8VALWP voltage.	0.4	47	Change PR113 from SD034100280 to SD028102280.	0.2	DVT
10	Improve thermal issue.	Improve thermal issue.	0.4	48	Change PQ32, PQ33, 38, PQ39 from SB000003W00 to SB578320010	0.2	DVT
11	Improve thermal issue.	Improve thermal issue.	0.4	48	Change PL12, PL13 from SH12056BM00 to SH000005680.	0.2	DVT
12	Improve +CPU_CORE OCP point.	Improve +CPU_CORE OCP point.	0.4	48	Change PR134, PR157 from SD034150280 to SD034422180	0.2	DVT
13	Improve +CPU_CORE OCP point.	Improve +CPU_CORE OCP point.	0.4	48	Change PR136 and PR159 from SD034150280 to SH034210180.	0.2	DVT
14	Improve +CPU_CORE OCP point.	Improve +CPU_CORE OCP point.	0.4	48	Change PC109 and PC122 from SE042333K80 to SE026224K80	0.2	DVT
15	Improve CPU load line	Improve CPU load line	0.4	48	Change PR141 from SD014255180 to SD014200180	0.2	DVT
16	Improve CPU load line	Improve CPU load line	0.4	48	Change PR142 and PR153 from SD034100A80 to SD034100080.	0.2	DVT
17							
18							

Compal Electronics, Inc.			
Title			
SCHEMATIC, M/B LA-3121P			
Size	Document Number	Rev D	
	401411		
Date:	星期五, 五月 11, 2006	Sheet	50 of 51

Item	Fixed Issue	PG#	Modify List	VER	Phase
1	ATI Reccommand.	13	Change R376 82.5 ohm to 100 ohm.	0.2	DVT
2	TV-OUT 阻抗匹配.	14	Increase R590,R591,R592 150 ohm pull down resister.	0.2	DVT
3	解決PCI_RST# 漏電問題.	18	Change U15,U16 voltage source +3VS to +3VALW.	0.2	DVT
4	Fixed USB2.0 EYE Diagram .	19	Change R164 11.8K ohm to 11.3K ohm.	0.2	DVT
5	IMPROVE TV-OUT SIGNAL QUALITY.	24	Change C417,C418,C419,C425,C428,C430 to 220P.	0.2	DVT
6	SB_INT_FLASH_SEL# 改為EC可以控制.	28	Add R594.	0.2	DVT
7	解 M插AC電源, LED會閃一下的問題.	41	Add R586,R589,Q5,Q12 change to 2N7002.	0.2	DVT
8	增加+1.5VS, +2.5VS, +0.9V 放電線路.	41	Add R587,Q34(+2.5VS),R588,Q35(+1.5VS),R604,Q36(+0.9V).	0.2	DVT
9	1w窗.	41	Add C658 0.1uF	0.3	PVT
10	Sometimes run S3 test program will interrupt .	37	Change R100 to 47K(ori : 100K)	0.3	PVT
11	改 ?+2.5V_LAN Power.	26	C281 change to 10uF	0.3	PVT
12	改善 LAN 訊號品質 ?	27	Change R387,R390,R391,R395,C494,C500 placement to near Transformer.	0.3	PVT
13	減少 Speaker 訊號增益(預留).	39	Add R606(0 ohm),R607(0 ohm),R608(47K未上),R609(47K未上)	0.3	PVT
14	Add Camera Connect.	31	Add R605,C657,JP35	0.3	PVT
15	Bluetooth 加 chock.	38	Add L65	0.3	PVT
16	For EMI request	15	Add C330	0.4	PVT2
17	JP25 5-in-1 connector Spec update (Pin18 from NC to SD-GND)	33	Add R610	0.4	PVT2
18	Modify Package for Lead-free part	41	Modify C658 package from 0402 to 0603	0.4	PVT2
19	Reserve	28	Add R611, R612, EC_Pin-100	1.0	MP
20	for solve MS detect issue	33	Remove C197	1.0	MP

Security Classification		Compal Secret Data		Title Compal Electronics, Inc. SCHEMATIC, M/B LA-3121P	
Issued Date	2005/05/09	Deciphered Date	2006/10/10		
THIS SHEET OF ENGINEERING DRAWING IS THE PROPRIETARY PROPERTY OF COMPAL ELECTRONICS, INC. AND CONTAINS CONFIDENTIAL AND TRADE SECRET INFORMATION. THIS SHEET MAY NOT BE TRANSFERRED FROM THE CUSTODY OF THE COMPETENT DIVISION OF R&D DEPARTMENT EXCEPT AS AUTHORIZED BY COMPAL ELECTRONICS, INC. NEITHER THIS SHEET NOR THE INFORMATION IT CONTAINS MAY BE USED BY OR DISCLOSED TO ANY THIRD PARTY WITHOUT PRIOR WRITTEN CONSENT OF COMPAL ELECTRONICS, INC.				Size	Document Number
				Custom	401411
				Date:	星期四, 五月 11, 2006
				Sheet	51 of 51