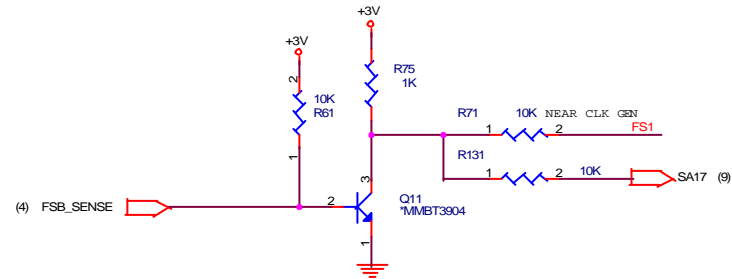
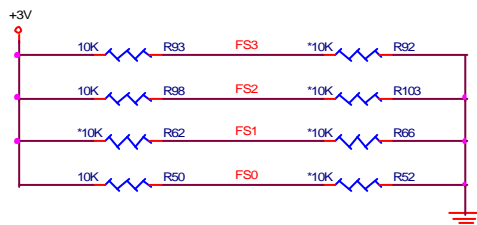
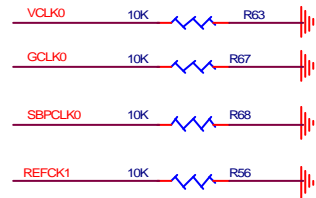
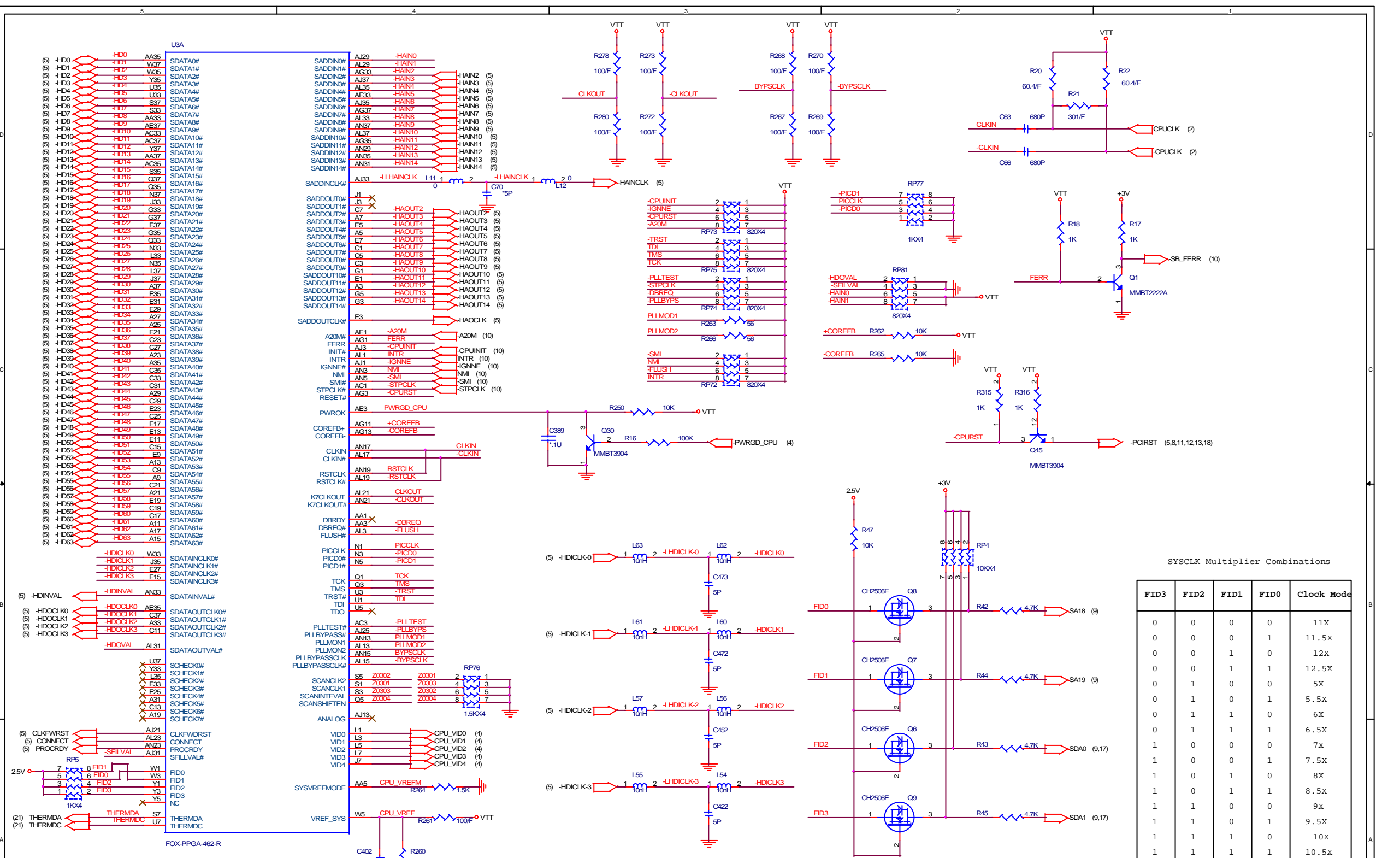


MODE, PIN6 (Latched Input)	PIN26	PIN18	PIN8
0	PD#	CPU_STOP#	PCI_STOP#
1	RESET#	PCICLK5	AGP2

FS3	FS2	FS1	FS0	CPUCLK MHZ	AGP MHZ	PCICLK MHZ
0	0	0	0	160.00	80.00	40.00
0	0	0	1	164.00	82.00	41.00
0	0	1	0	166.60	86.60	33.30
0	0	1	1	170.00	88.00	34.00
0	1	0	0	175.00	70.00	35.00
0	1	0	1	180.00	72.00	36.00
0	1	1	0	185.00	74.00	37.00
1	0	0	0	66.80	66.80	33.40
1	0	0	1	100.90	67.27	33.63
1	0	1	0	133.60	66.80	33.40
1	1	0	0	66.60	66.60	33.30
1	1	0	1	100.00	66.60	33.30
1	1	1	0	200.00	68.60	33.30
1	1	1	1	133.30	68.60	33.30





SYSCLK Multiplier Combinations

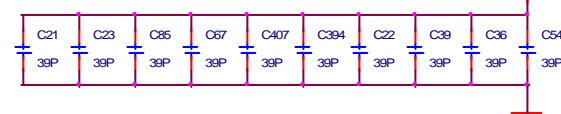
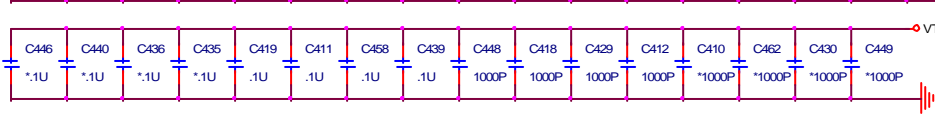
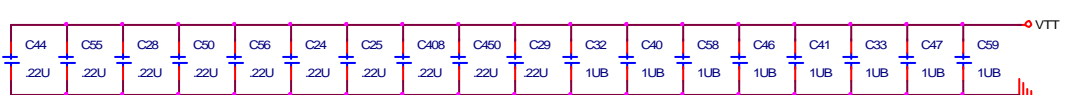
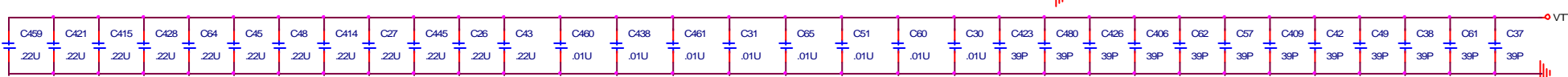
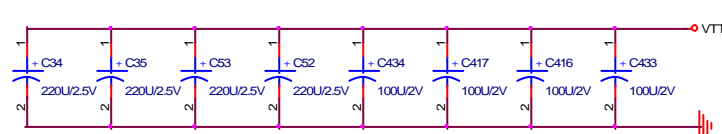
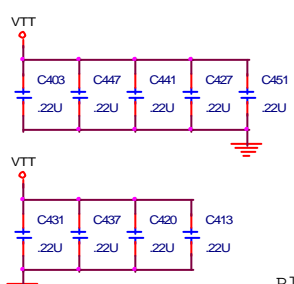
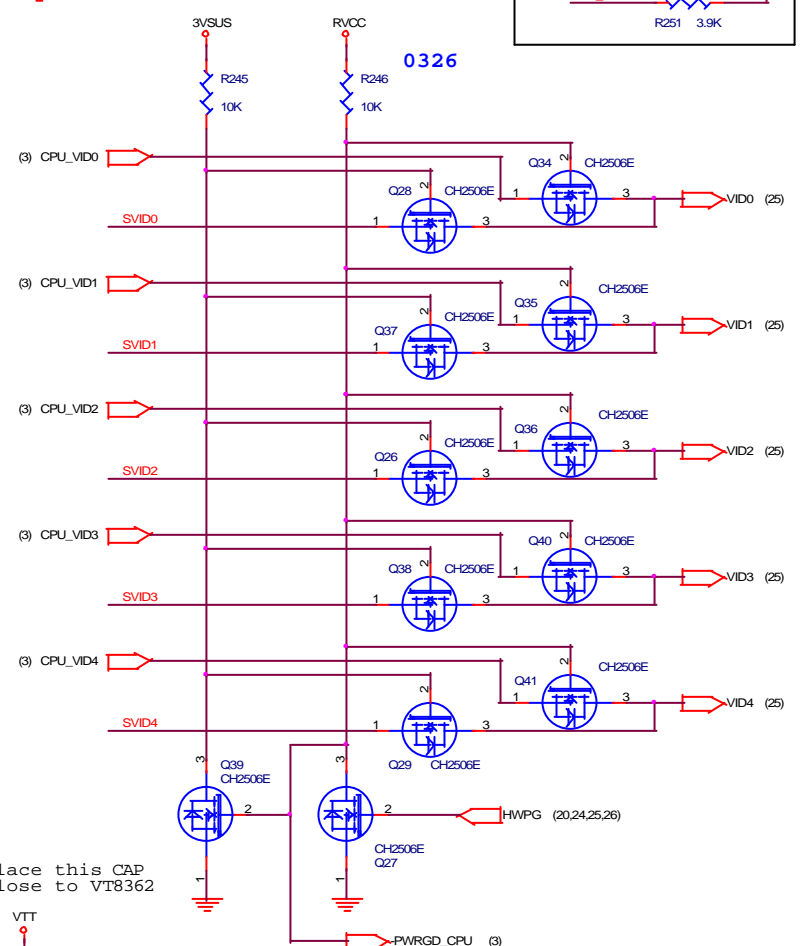
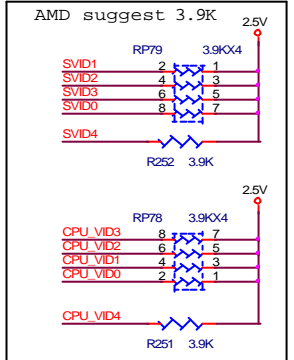
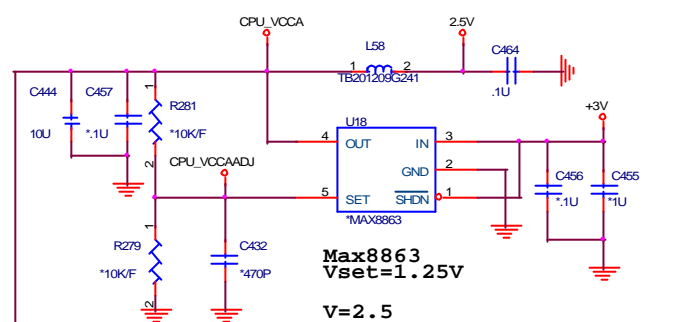
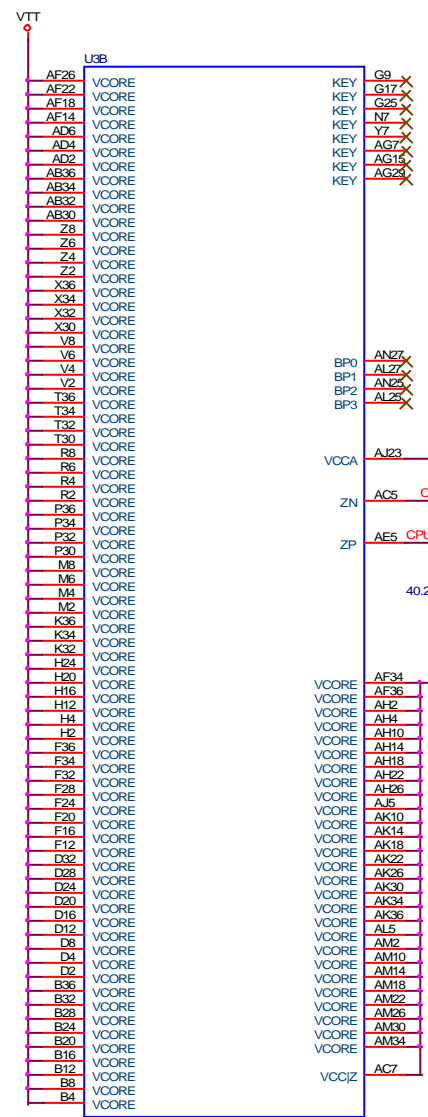
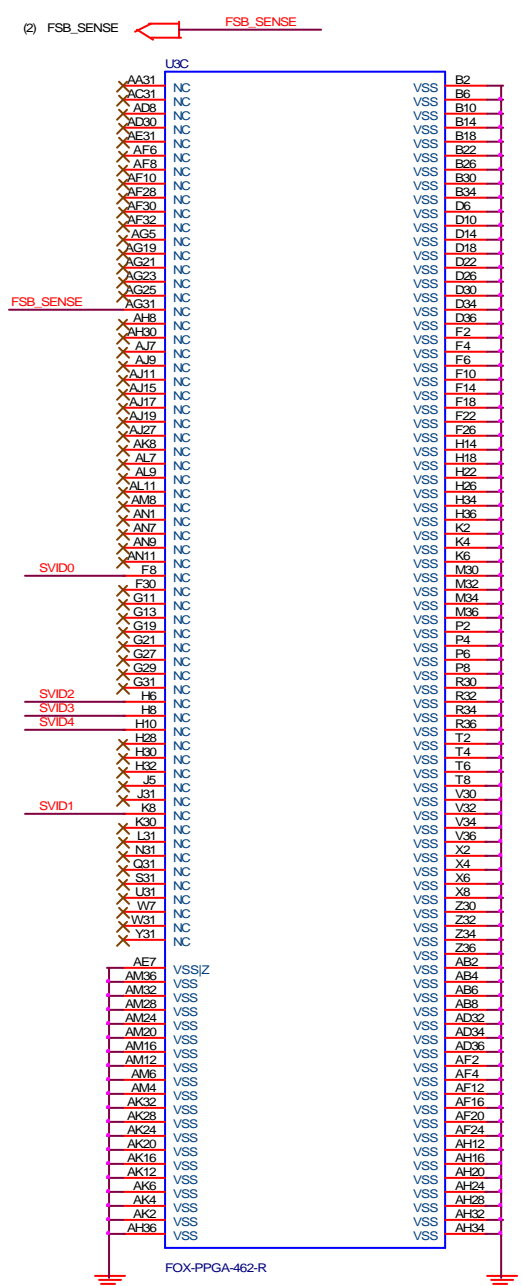
FID3	FID2	FID1	FID0	Clock Mode
0	0	0	0	11X
0	0	0	1	11.5X
0	0	1	0	12X
0	0	1	1	12.5X
0	1	0	0	5X
0	1	0	1	5.5X
0	1	1	0	6X
0	1	1	1	6.5X
1	0	0	0	7X
1	0	0	1	7.5X
1	0	1	0	8X
1	0	1	1	8.5X
1	1	0	0	9X
1	1	0	1	9.5X
1	1	1	0	10X
1	1	1	1	10.5X

Place these parts close to Southbridge

**PROJECT: ET2T**  
**Quanta Computer Inc.**

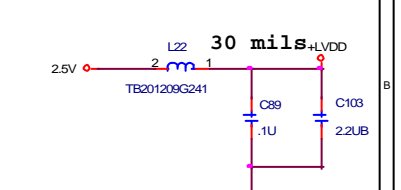
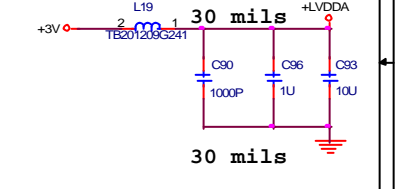
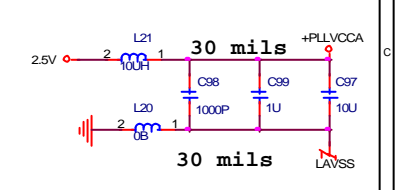
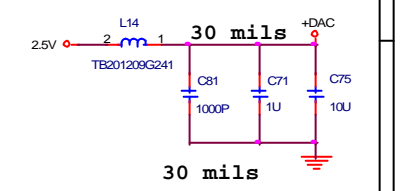
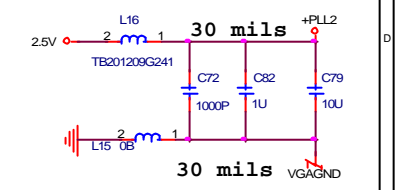
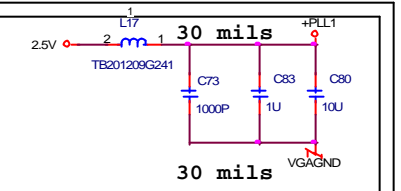
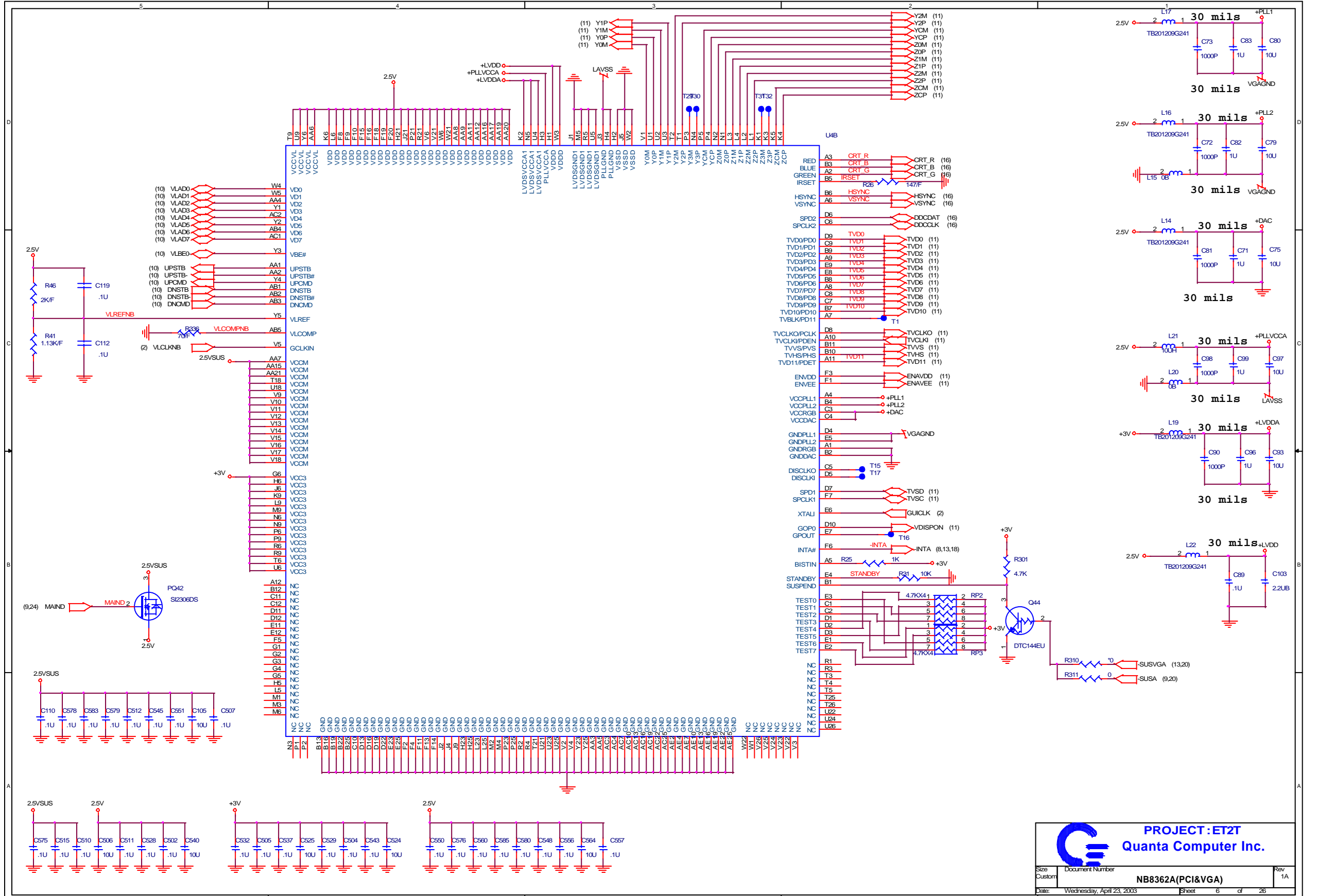
Size Custom Document Number  
**CPU SOCKET A I**  
 Date: Wednesday, April 23, 2003 Sheet 3 of 26 Rev 1A

The anti-pad is 54mil diameter



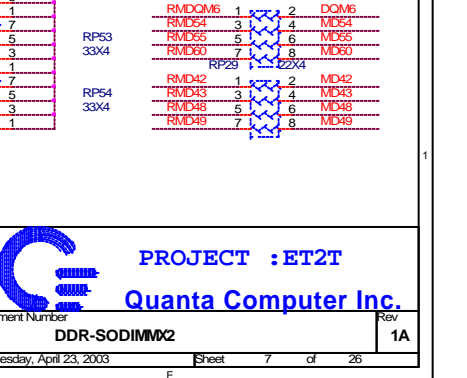
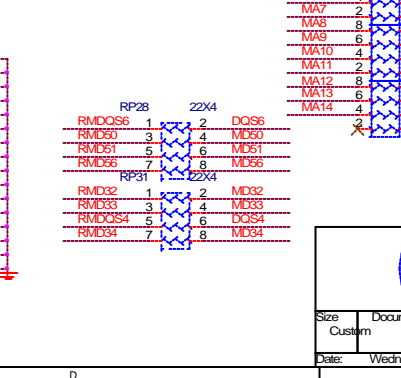
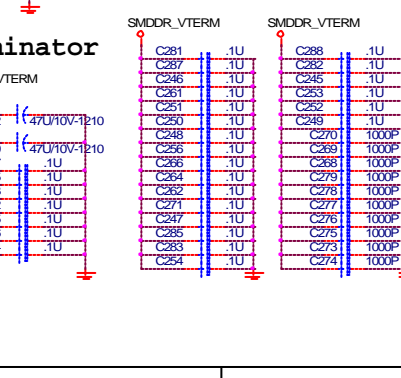
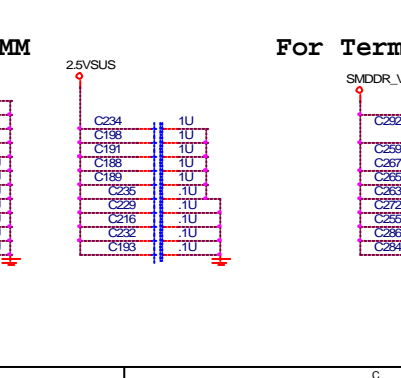
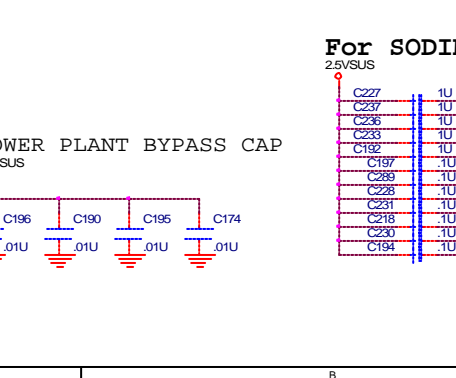
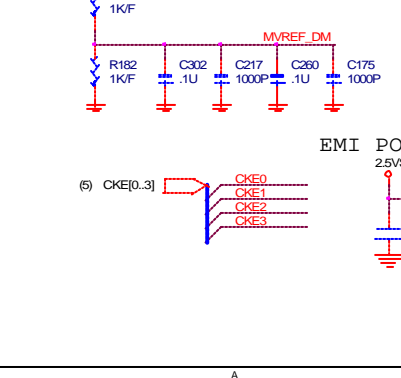
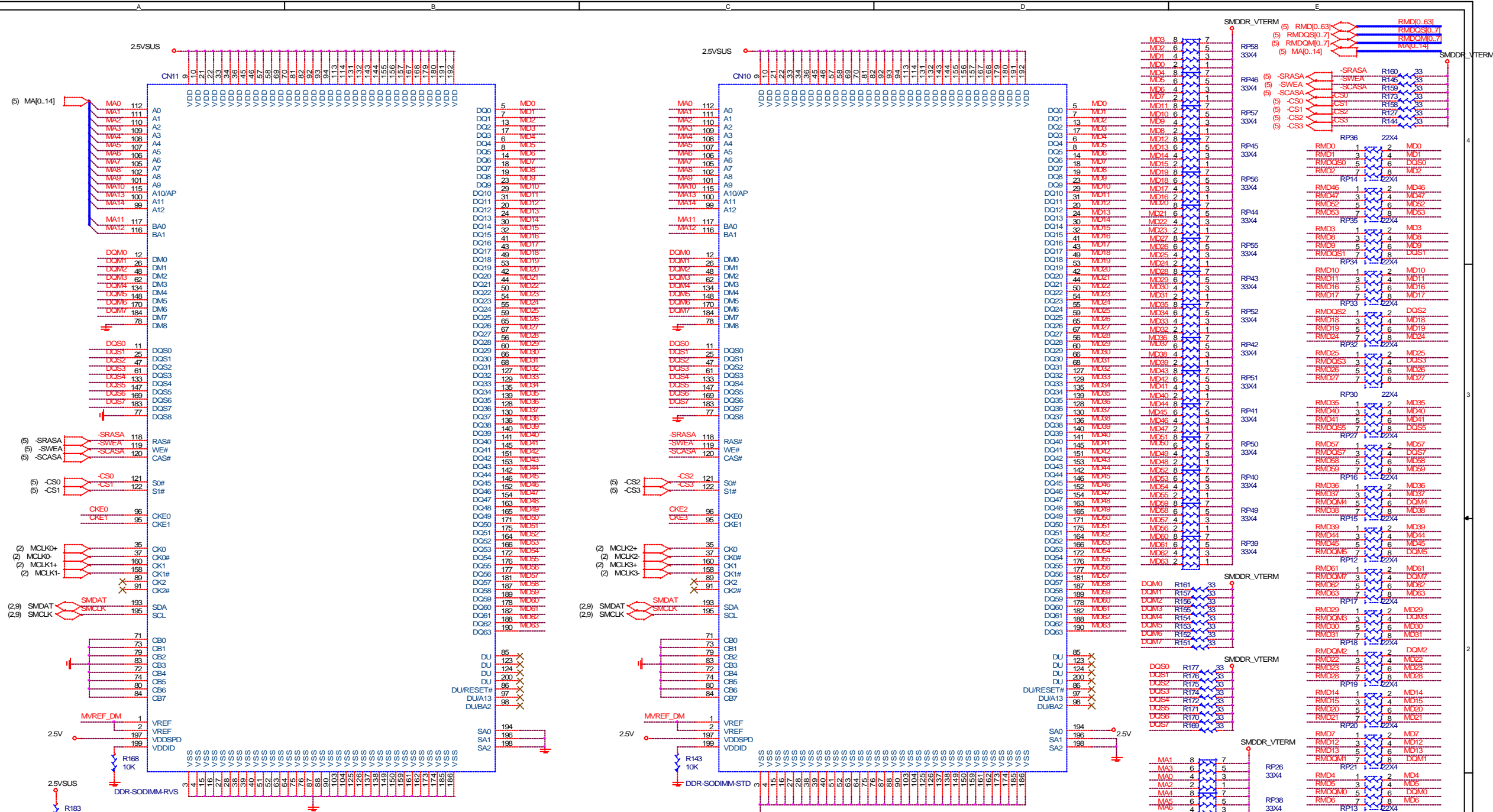
Place this CAP close to VT8362

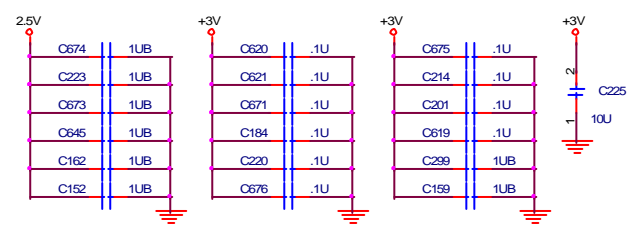
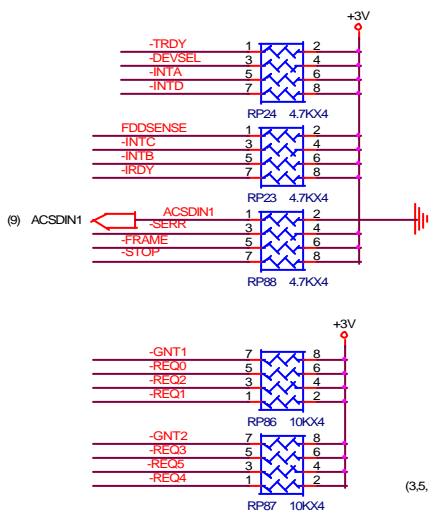
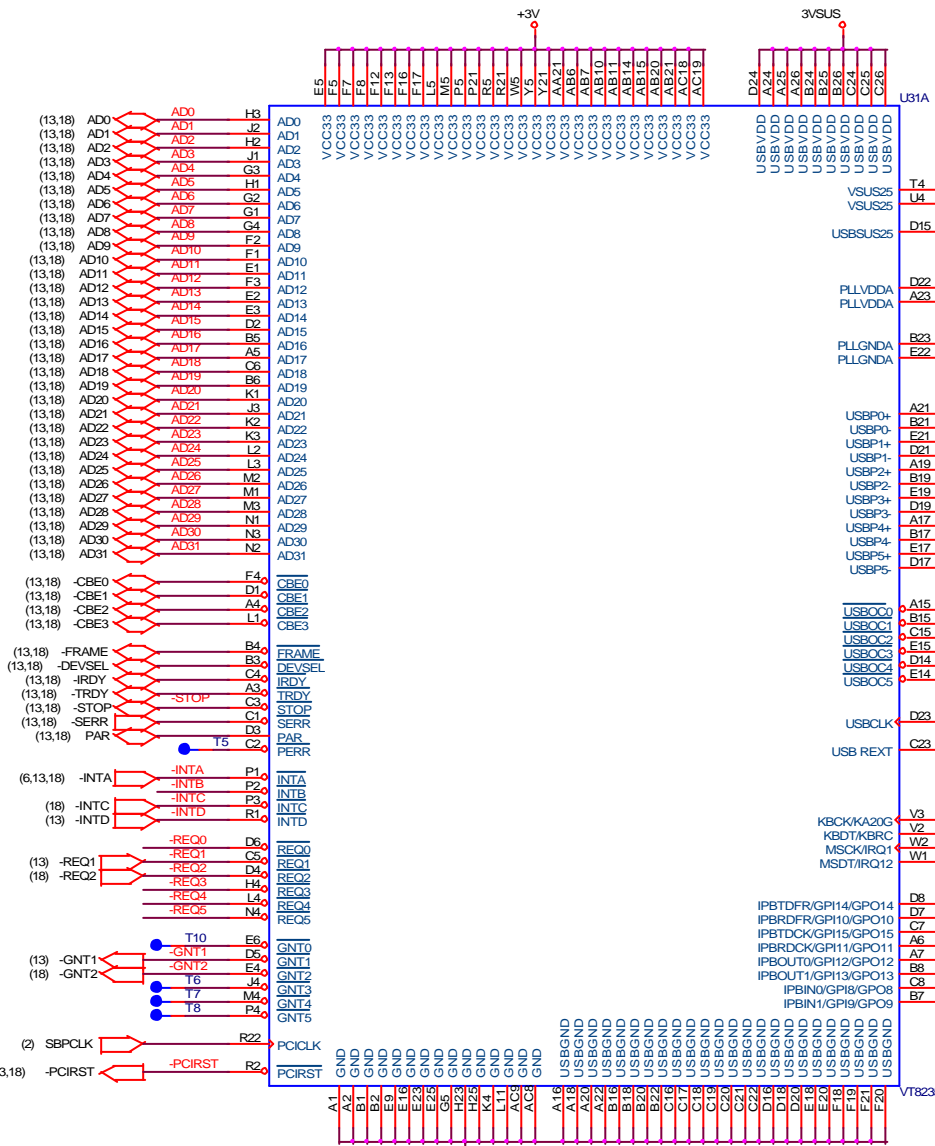
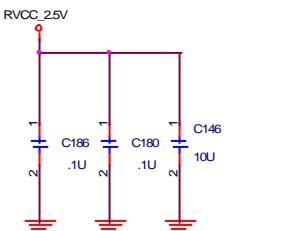
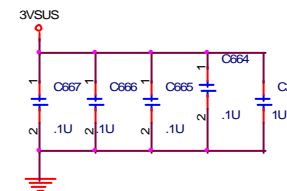
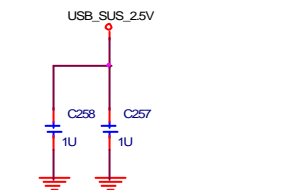
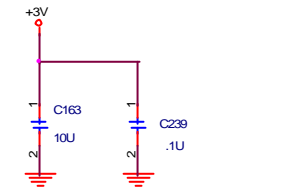
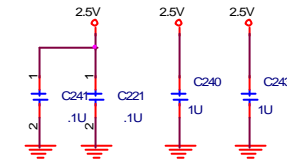
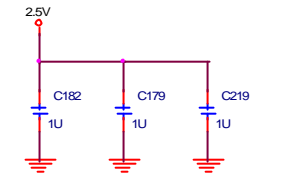
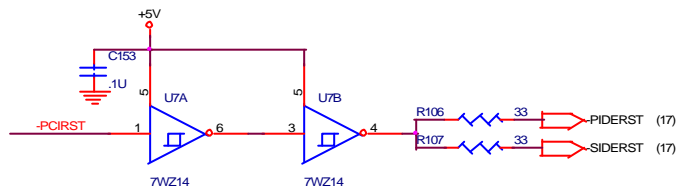




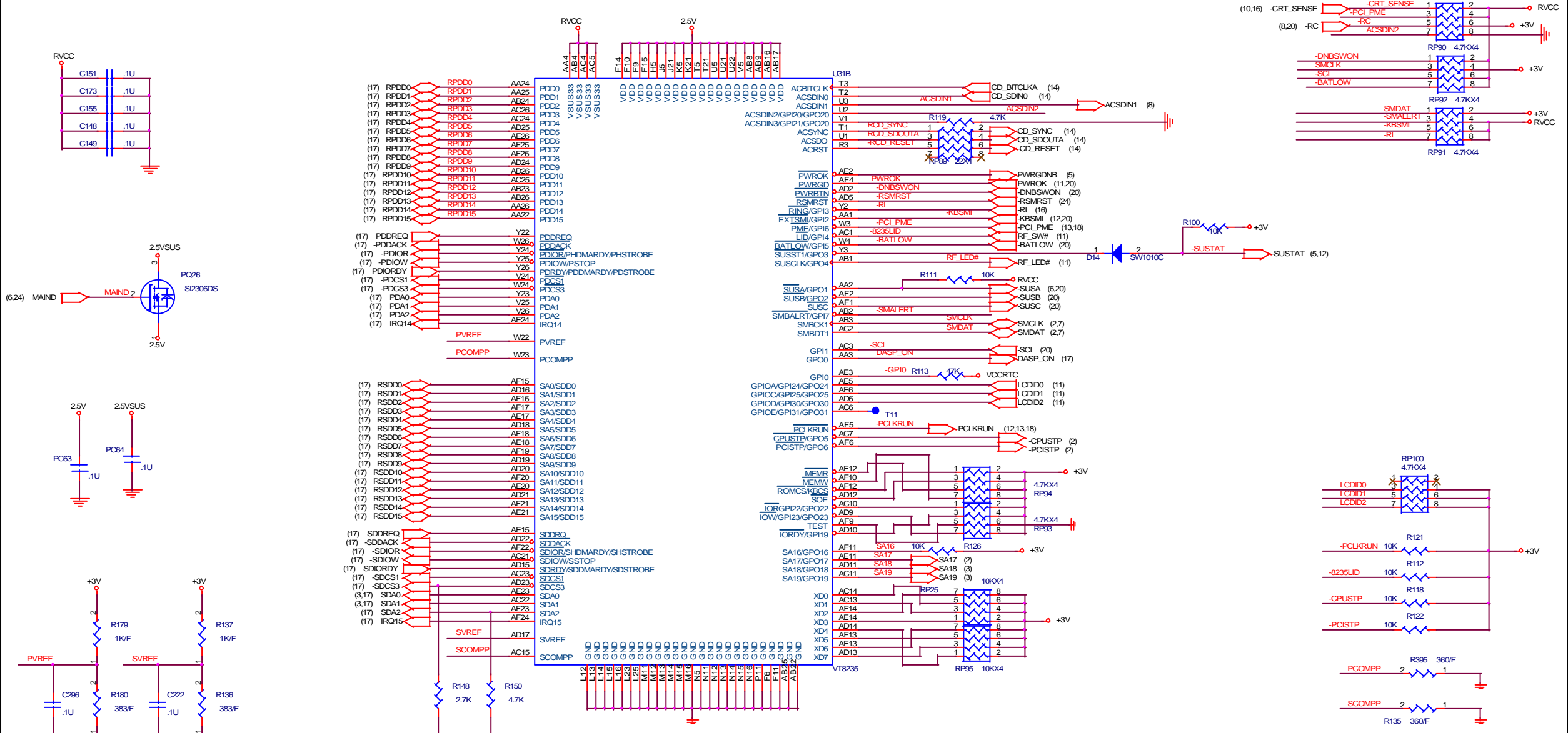
**PROJECT: ET2T**  
**Quanta Computer Inc.**

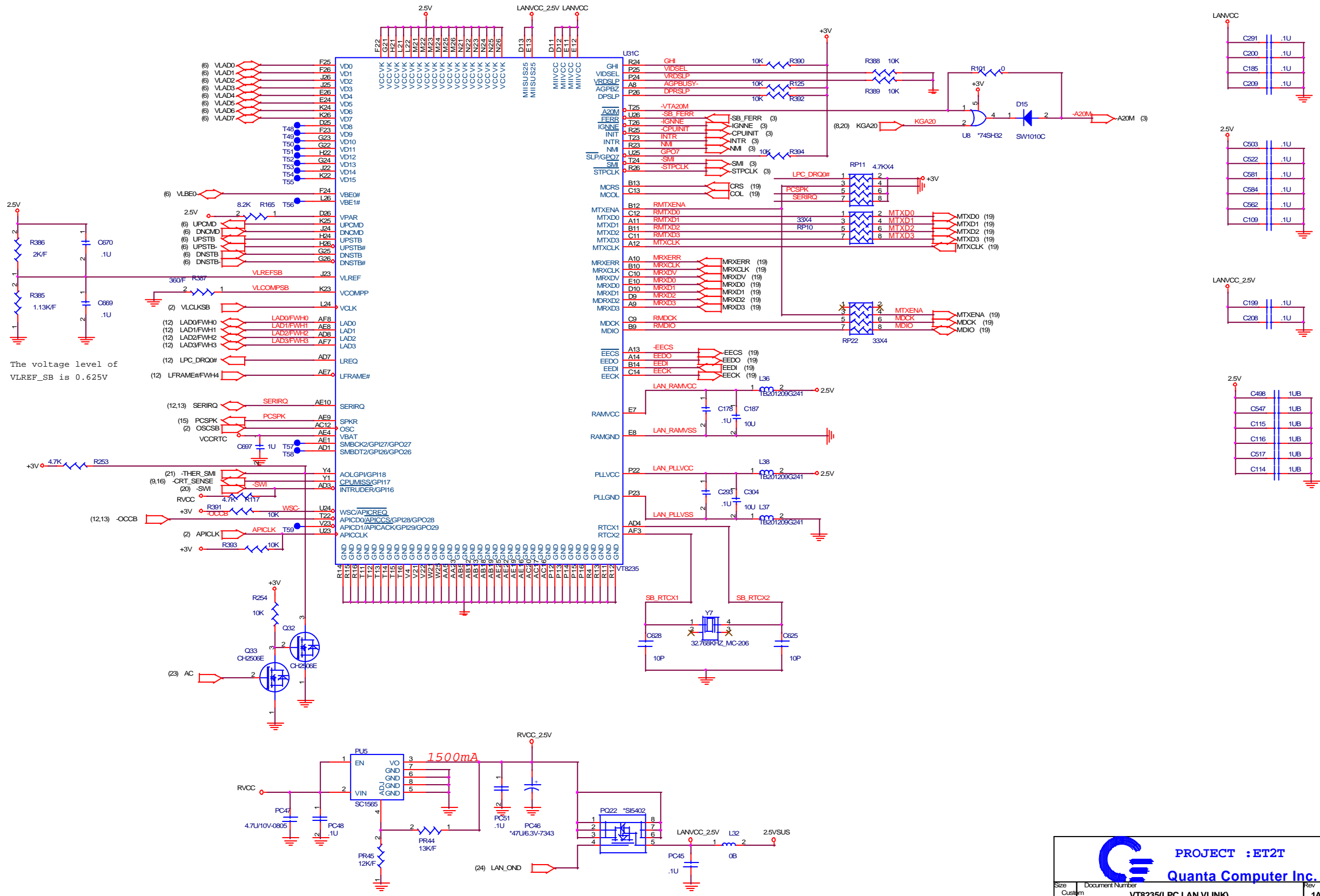
Size Custom	Document Number <b>NB8362A(PCI&amp;VGA)</b>	Rev 1A
Date: Wednesday, April 23, 2003		Sheet 6 of 26





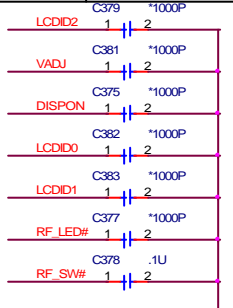




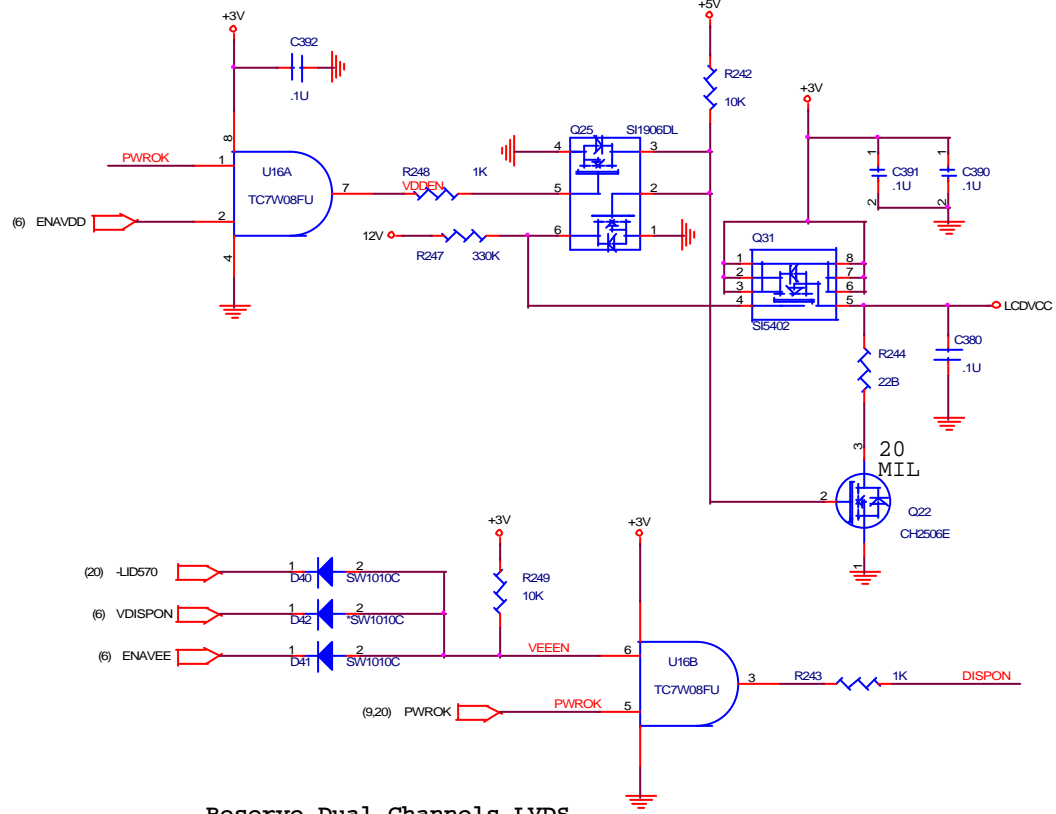


The voltage level of VLREF\_SB is 0.625V

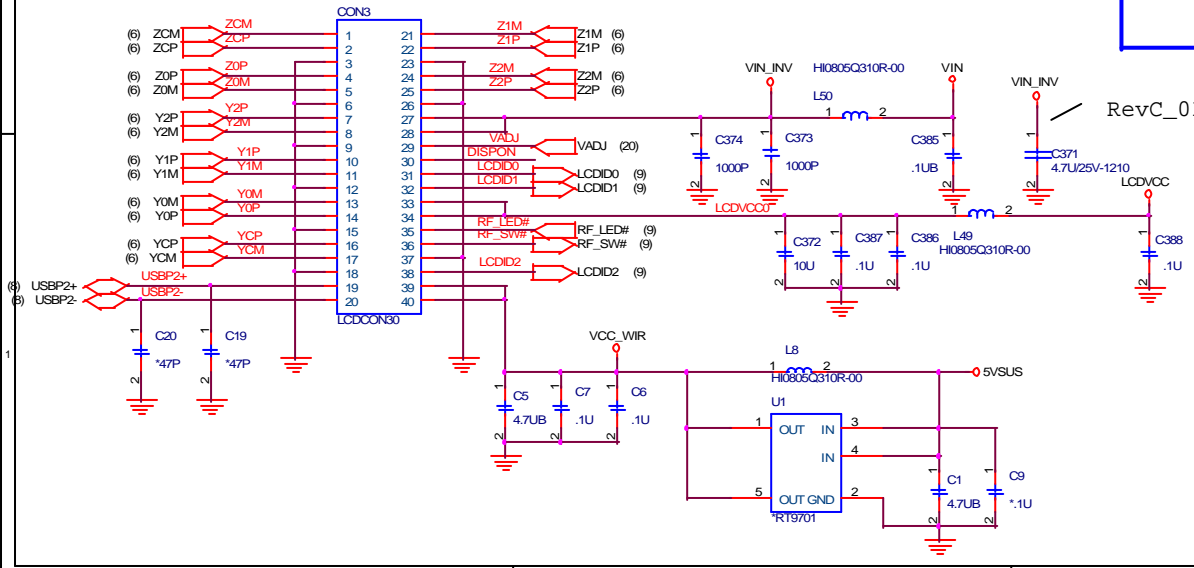
LCDID0	LCDID1	LCDID2	QDI-141X1LH03 SAM-LTN141XB
1	1	1	
1	0	1	



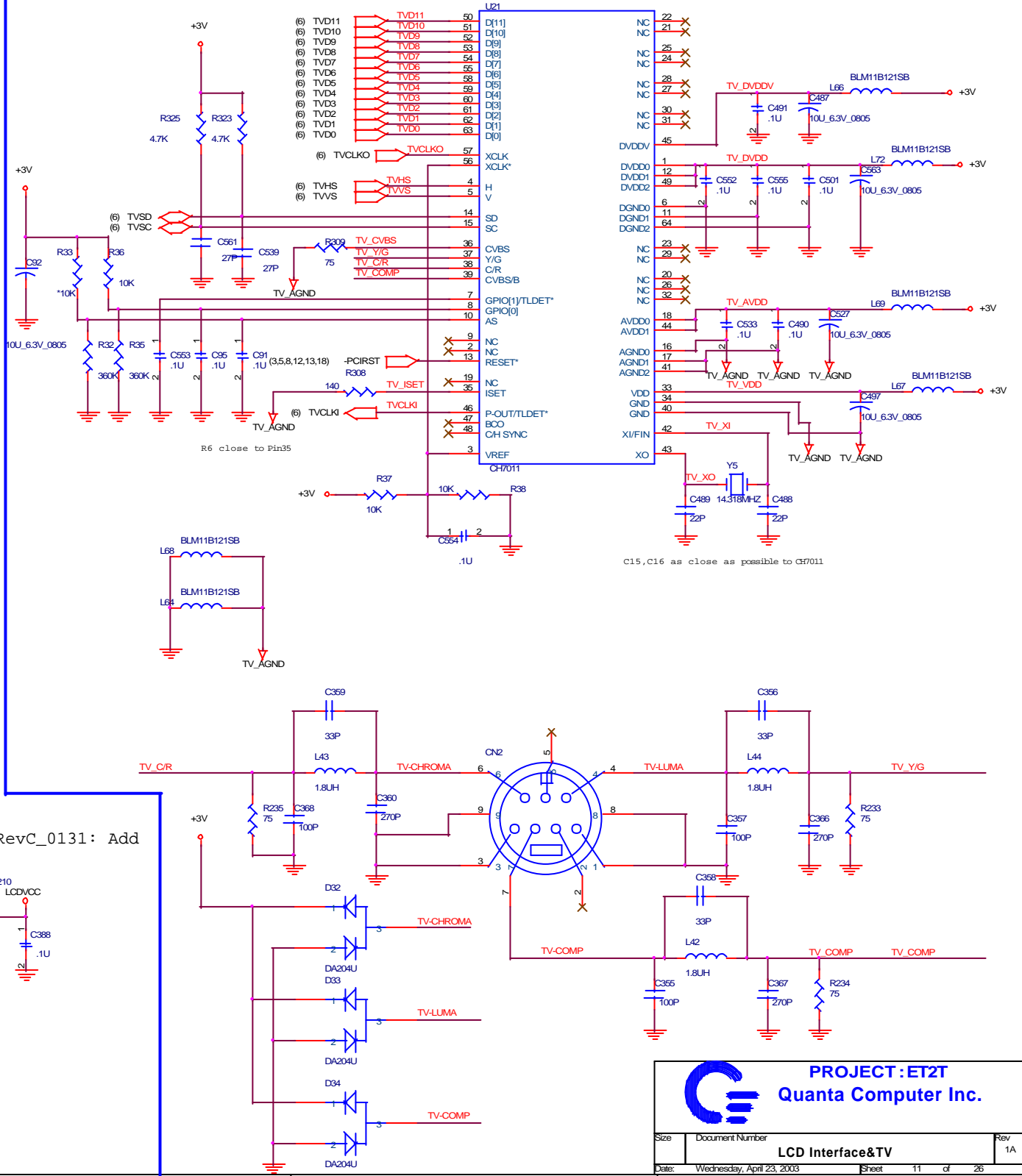
### LCD




### Reserve Dual Channels LVDS



### TV-OUT





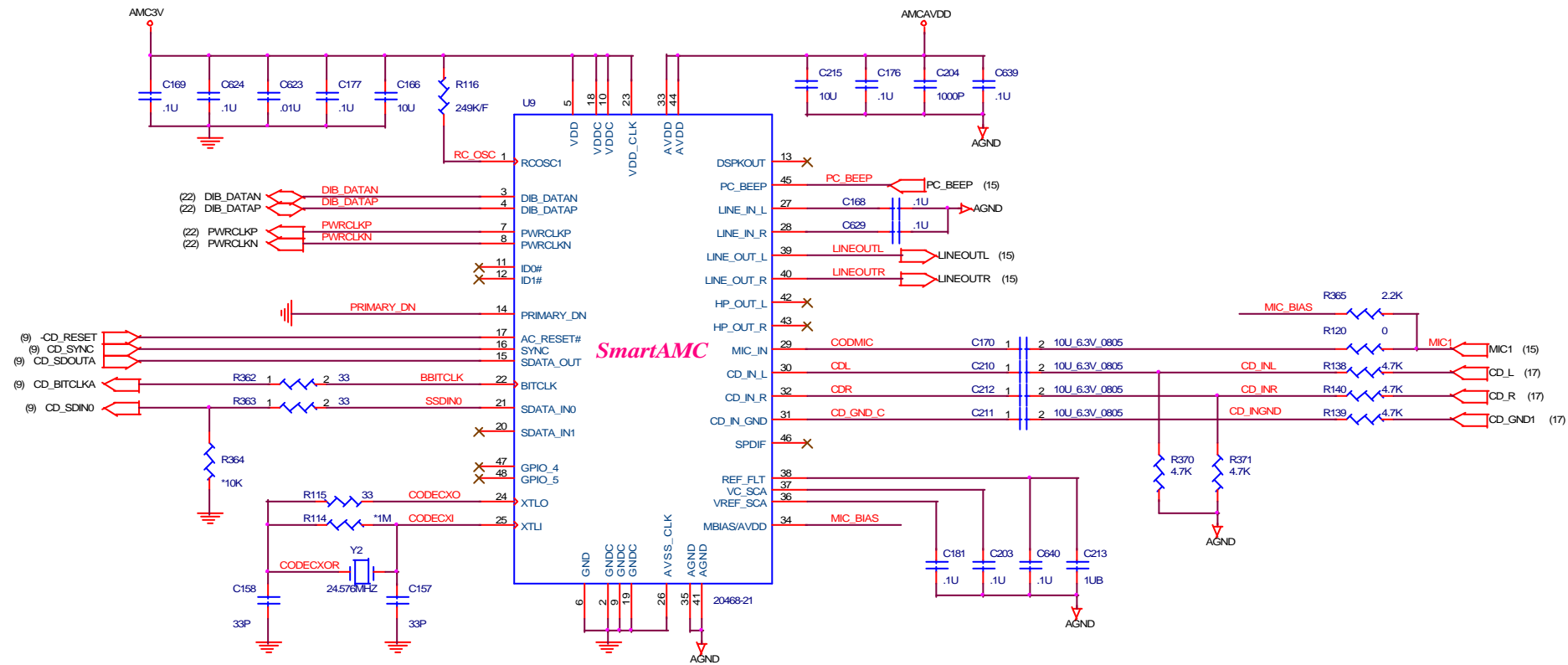
**PROJECT: ET2T**  
Quanta Computer Inc.

Size	Document Number	Rev
<b>LCD Interface&amp;TV</b>		1A
Date: Wednesday, April 23, 2003		Sheet 11 of 26

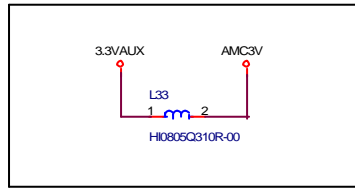




The AMC20463-002 modem is used for mother board family MBAMC20463-002.

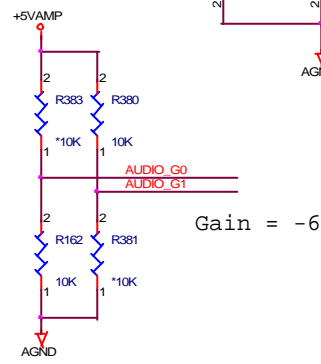
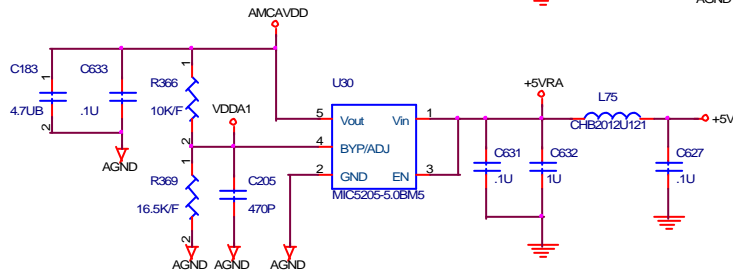


GAIN0	GAIN1	SE/BTL#	Av	Zi
0	0	0	-2 V/V	91K Ohm
0	1	0	-6 V/V	45.5K Ohm
1	0	0	-12 V/V	26K Ohm
1	1	0	-24 V/V	14K Ohm
X	X	1	-1 V/V	

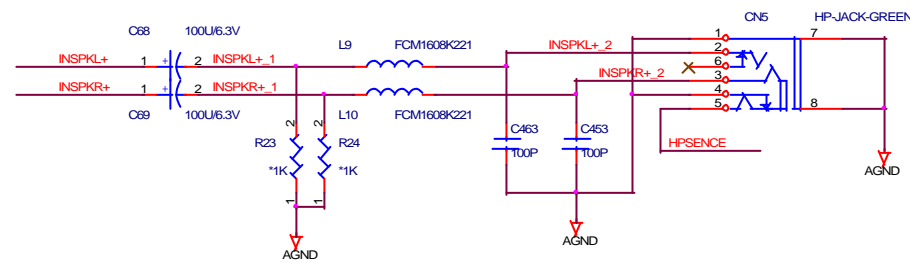
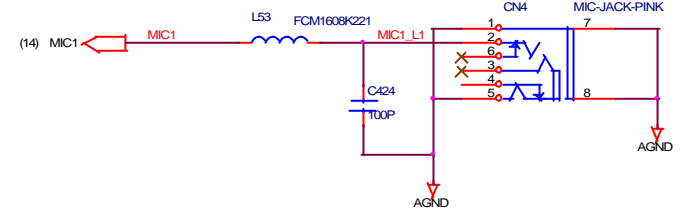
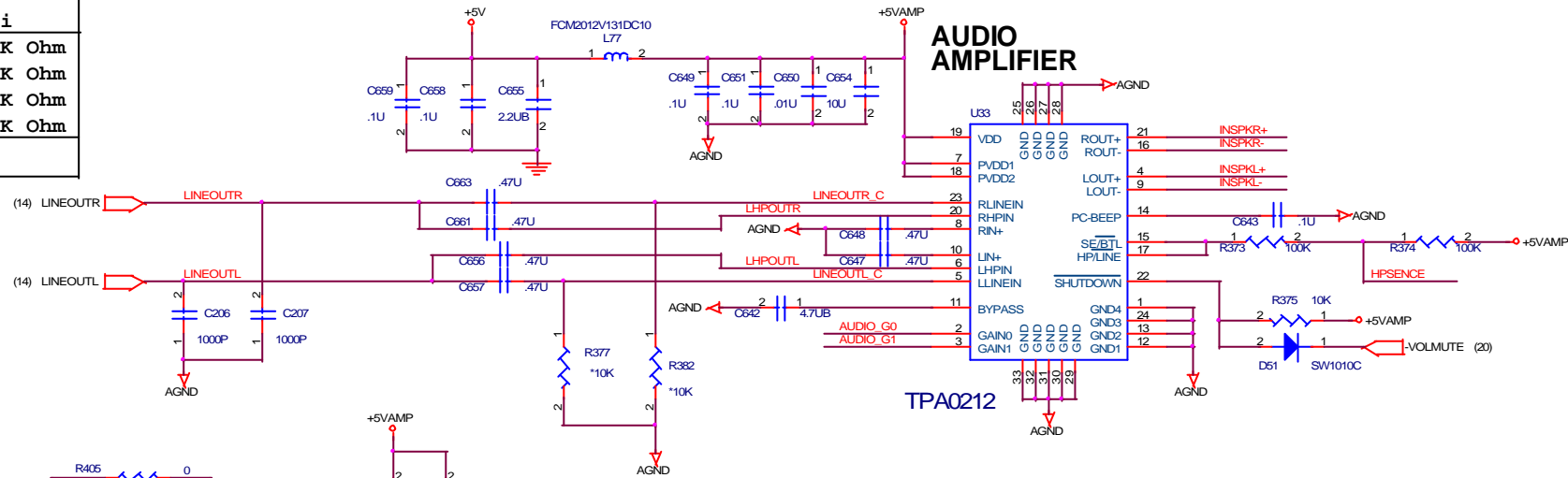


$V_{set} = 1.242V$  ;  $AMCAVDD = 1.242 \times (10 + 16.5) / 10 = 3.29V$

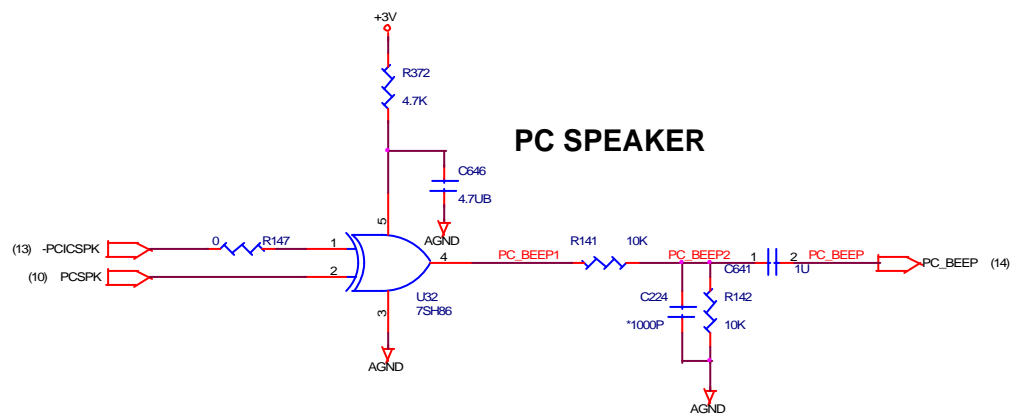
AMCVDD should be 3.3V



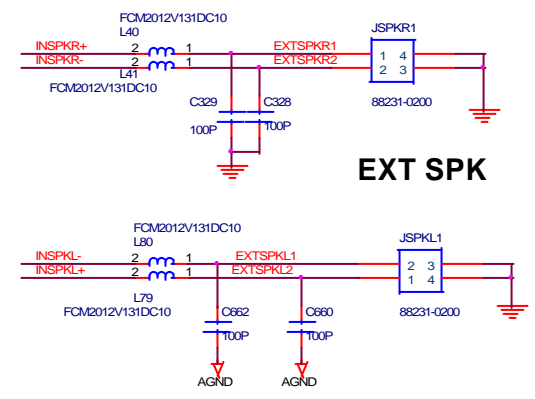
### AUDIO AMPLIFIER

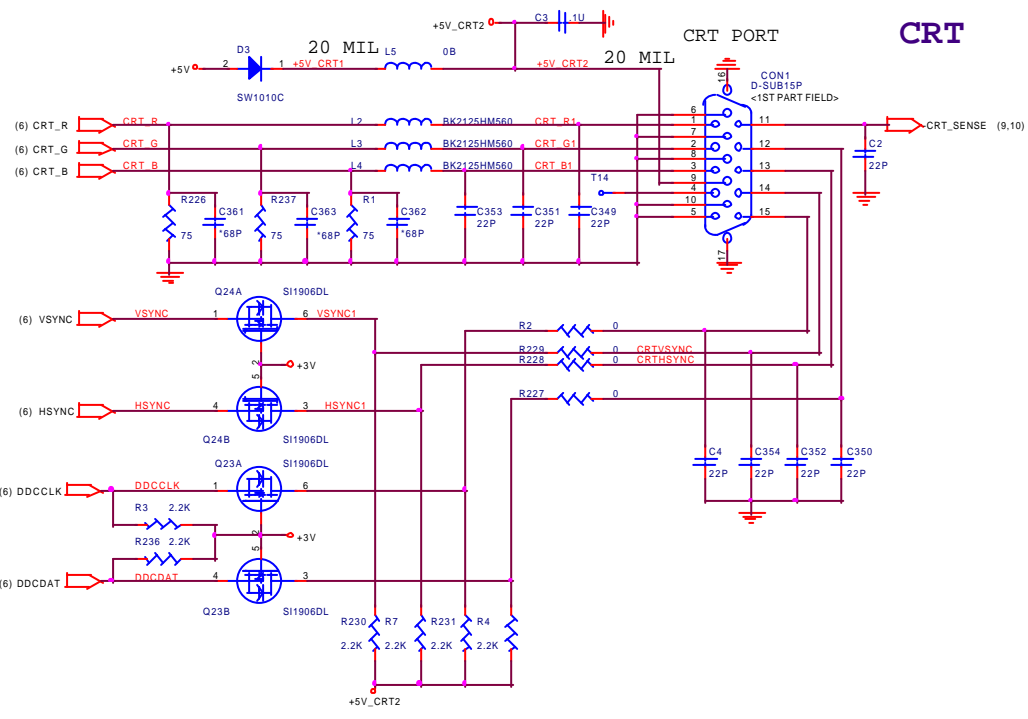
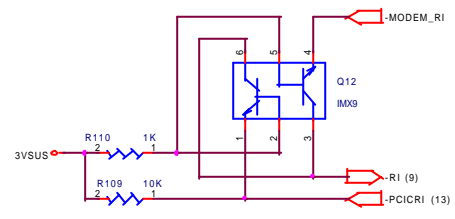
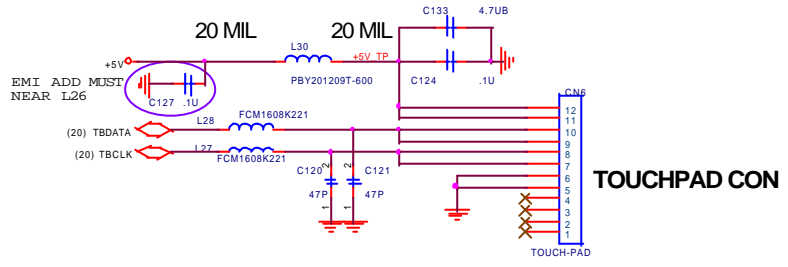
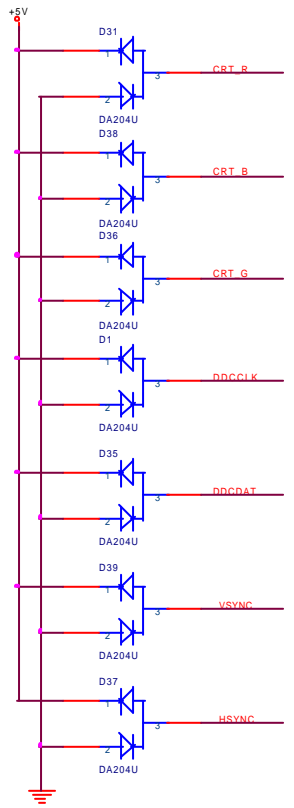


### PC SPEAKER



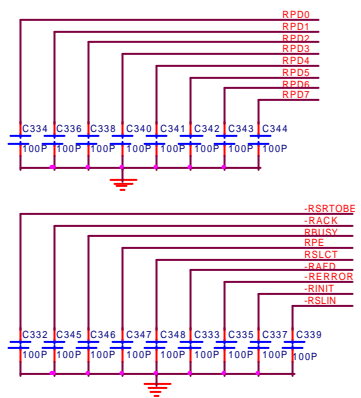
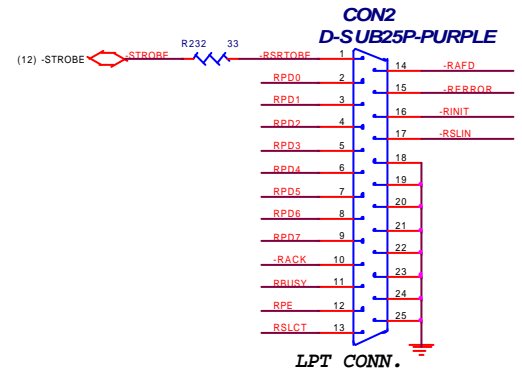
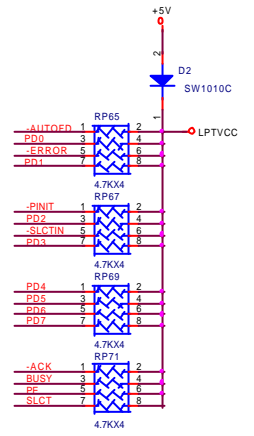
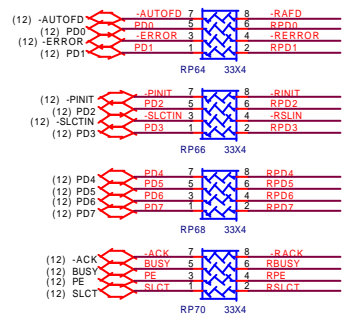
### EXT SPK



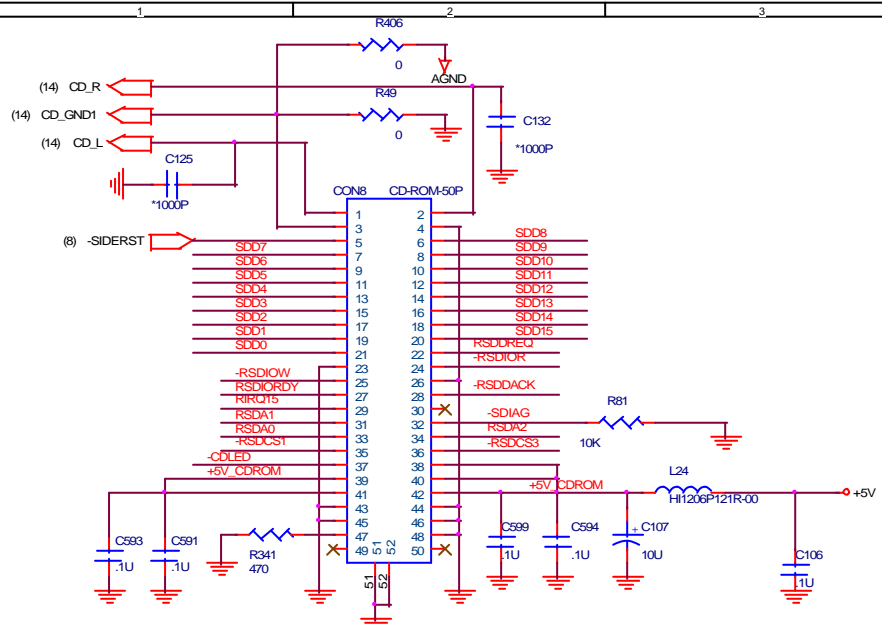


REMOVE COM PORT

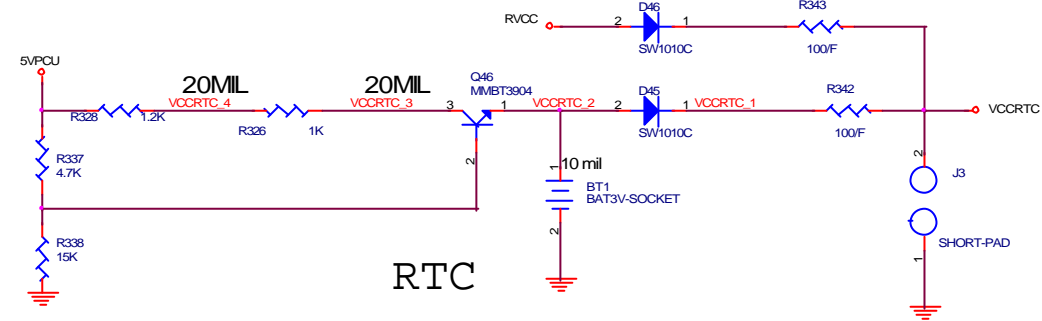
### LPT



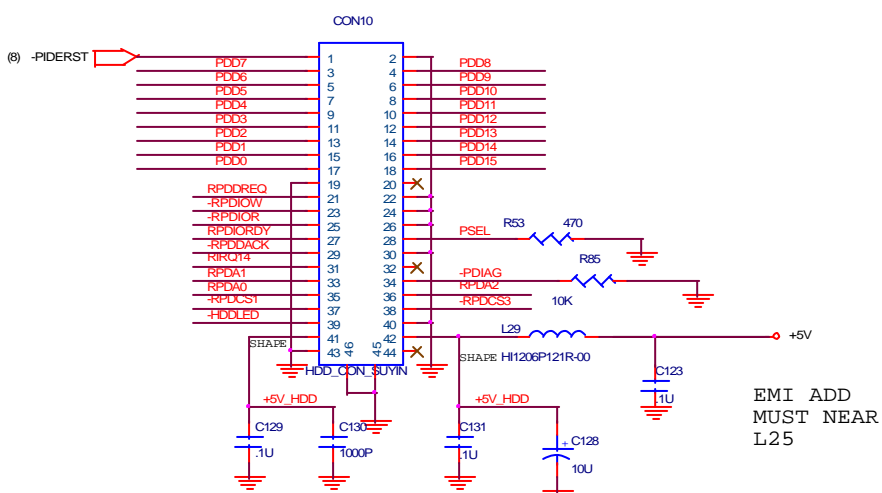
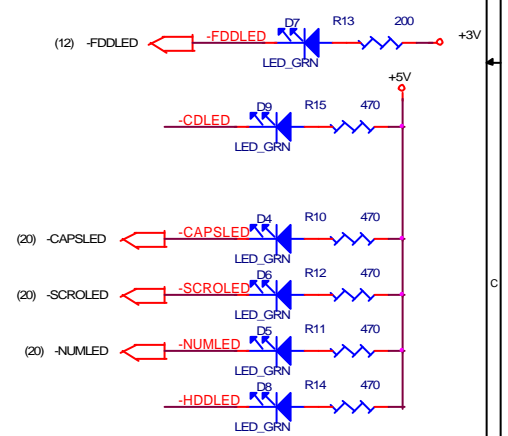
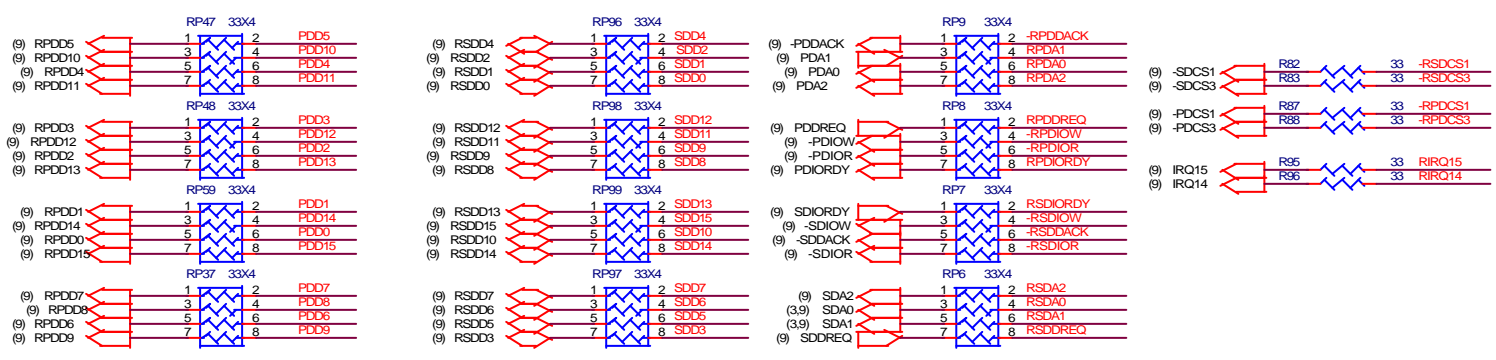
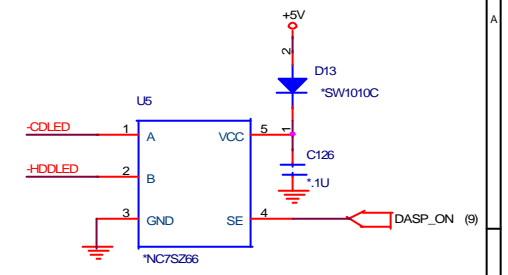




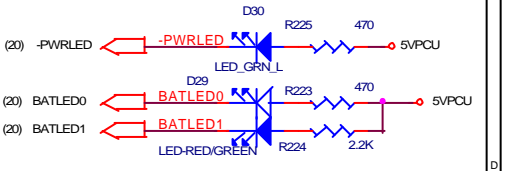
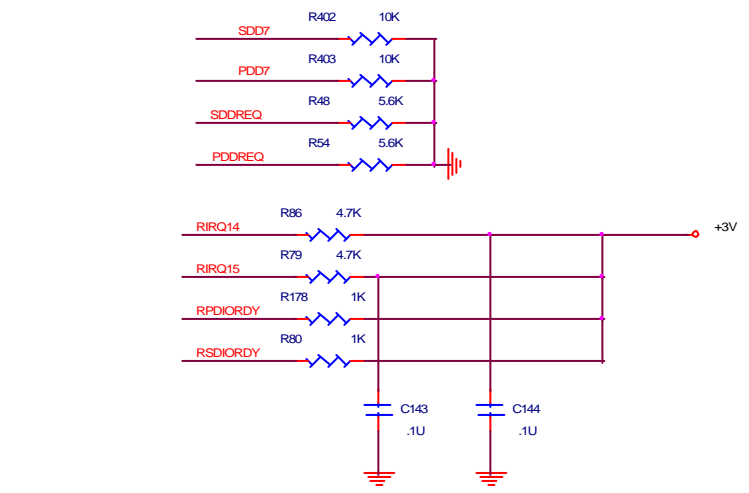
CD-ROM CONNECTOR



RTC



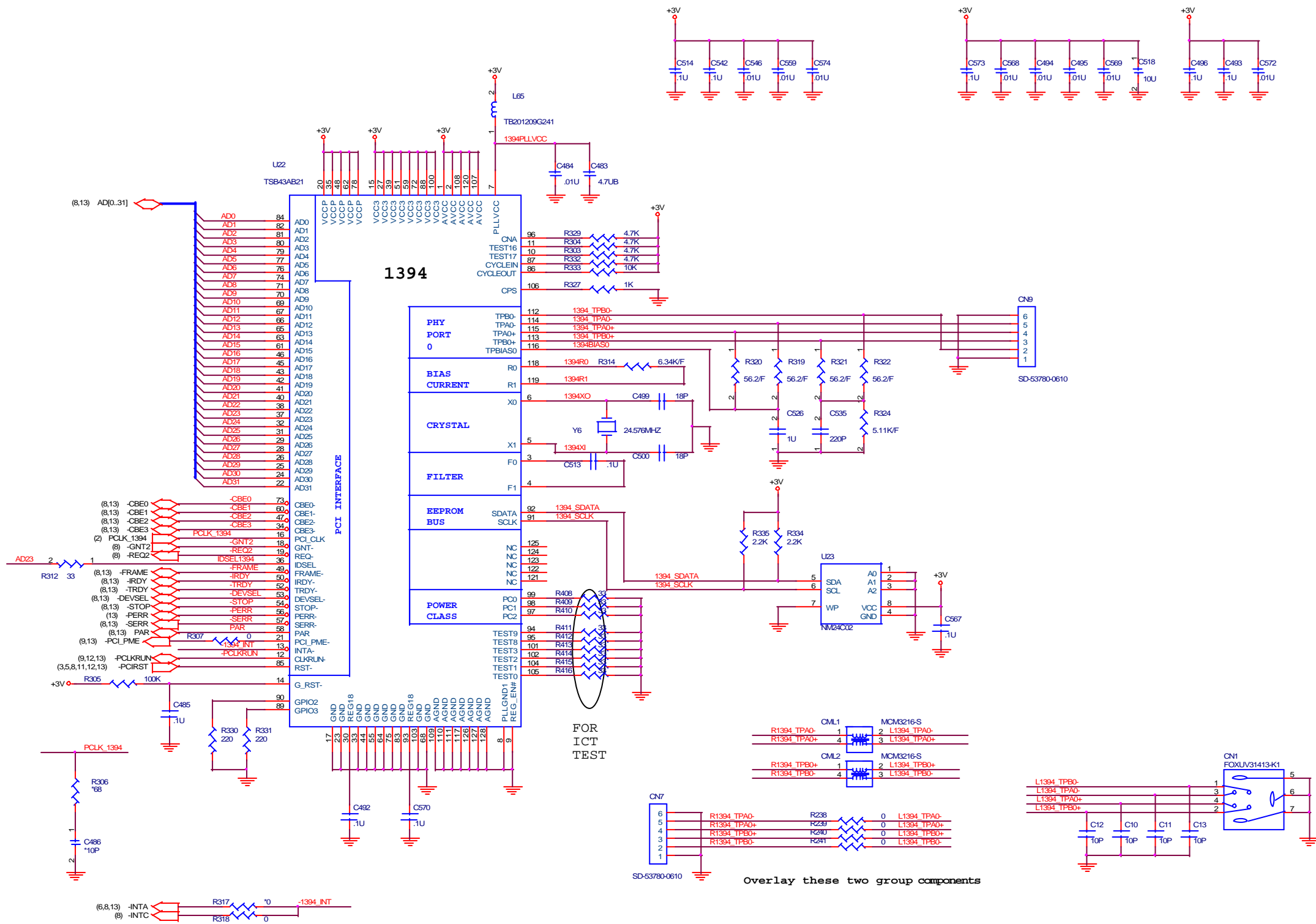
HDD connector



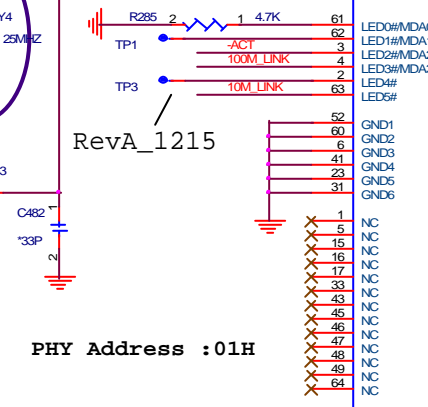
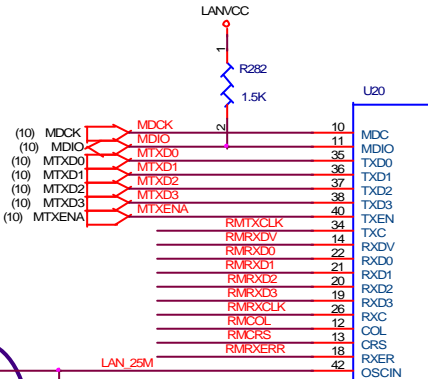
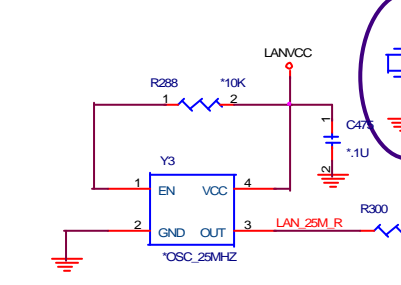
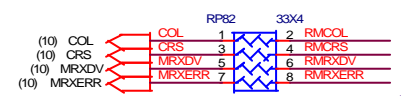
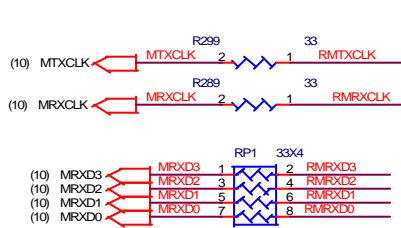
PROJECT : ET2T  
Quanta Computer Inc.

Size	Document Number	Rev
		1A
Date: Wednesday, April 23, 2003 Sheet 17 of 26		

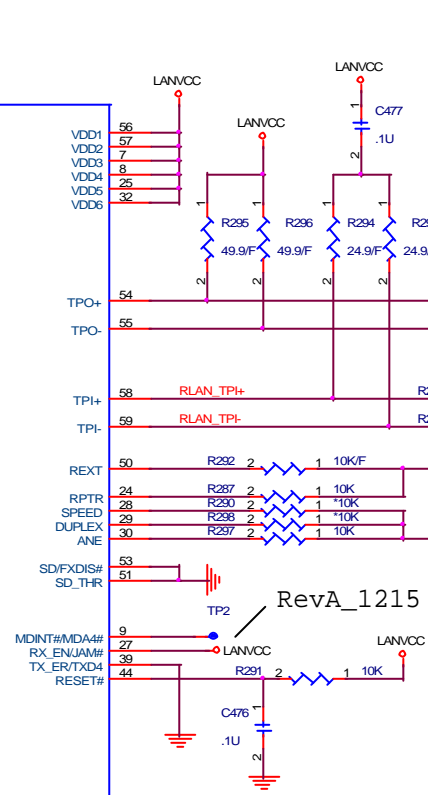
IDE, RTC, LEDs



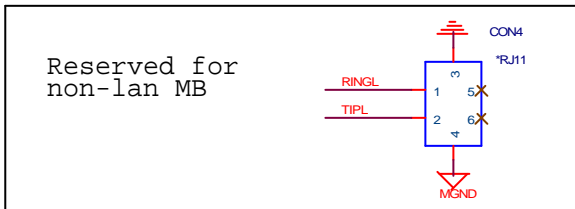
Overlay these two group components



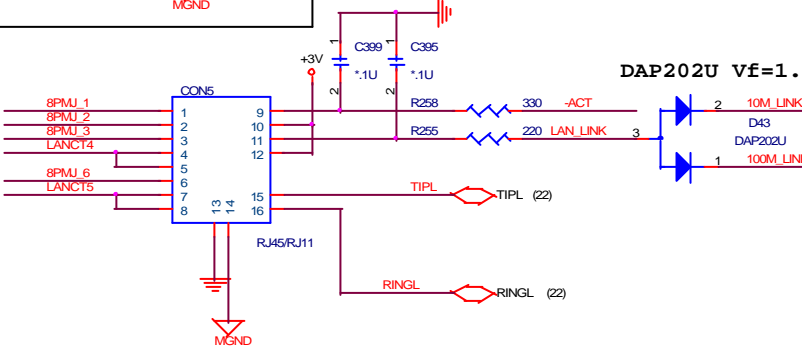
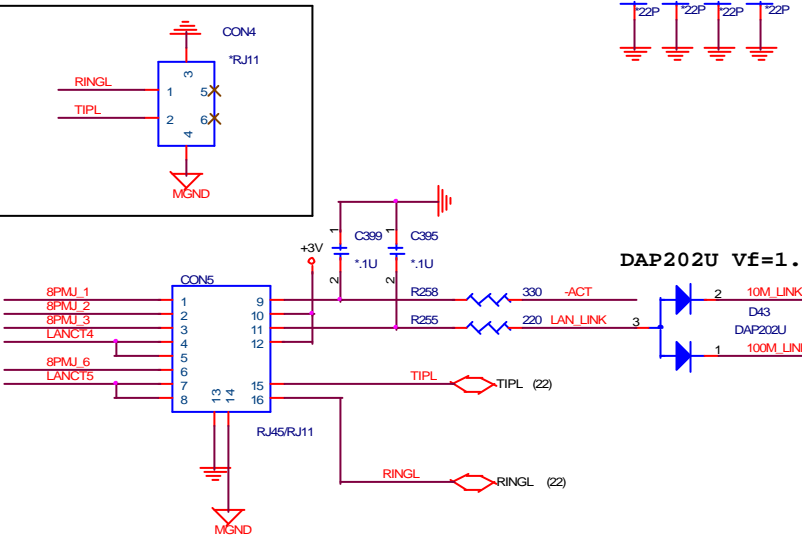
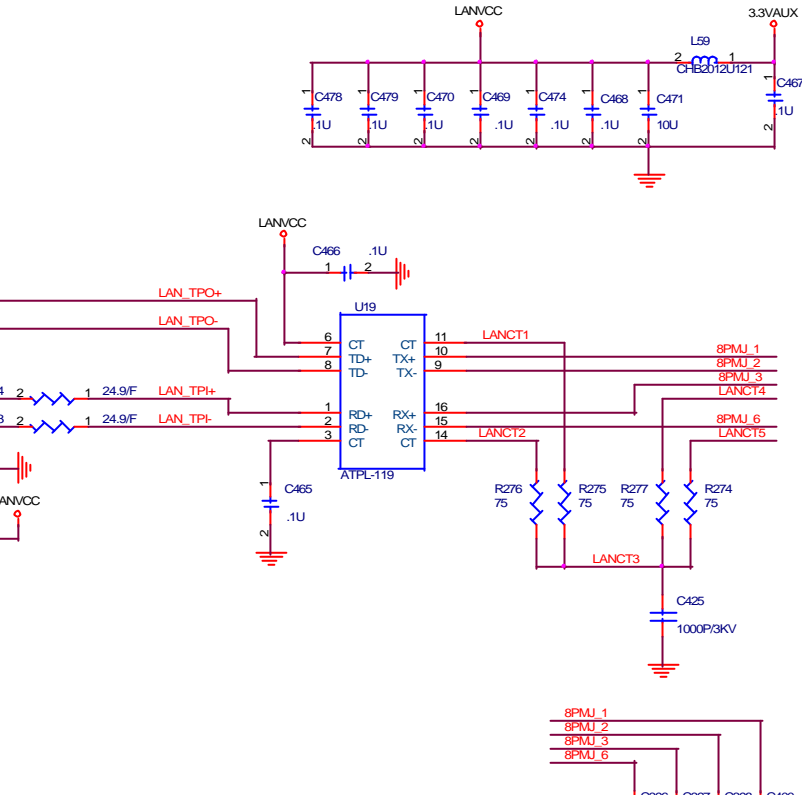
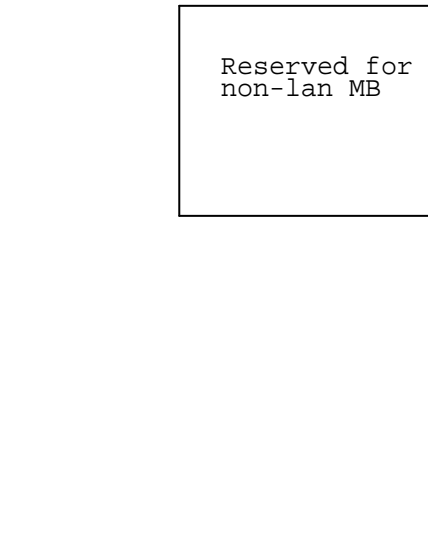
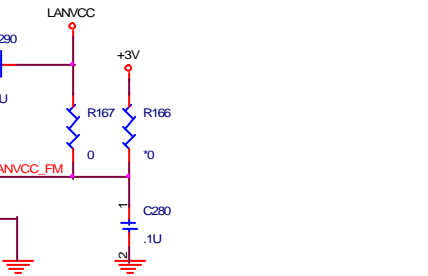
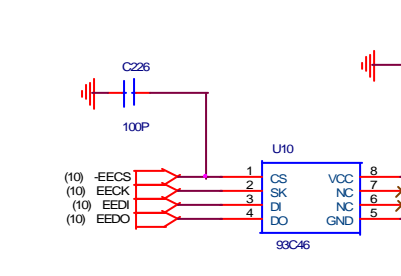
RevA\_1215  
PHY Address :01H

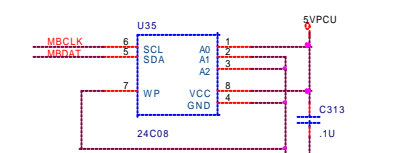
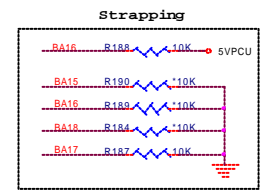
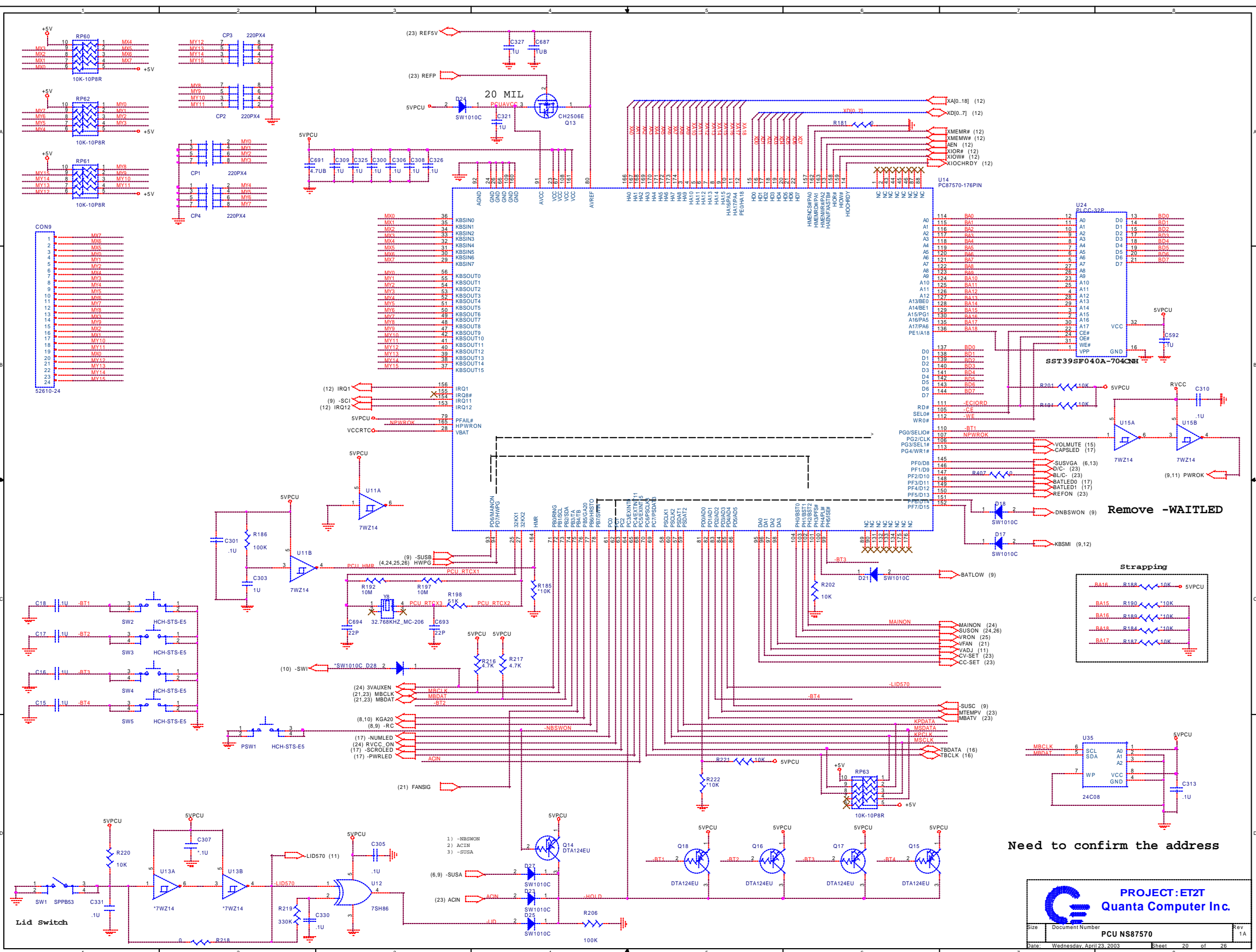


LSI-80227  
/80223C



Reserved for non-lan MB





Need to confirm the address

**PROJECT:ET2T**  
**Quanta Computer Inc.**

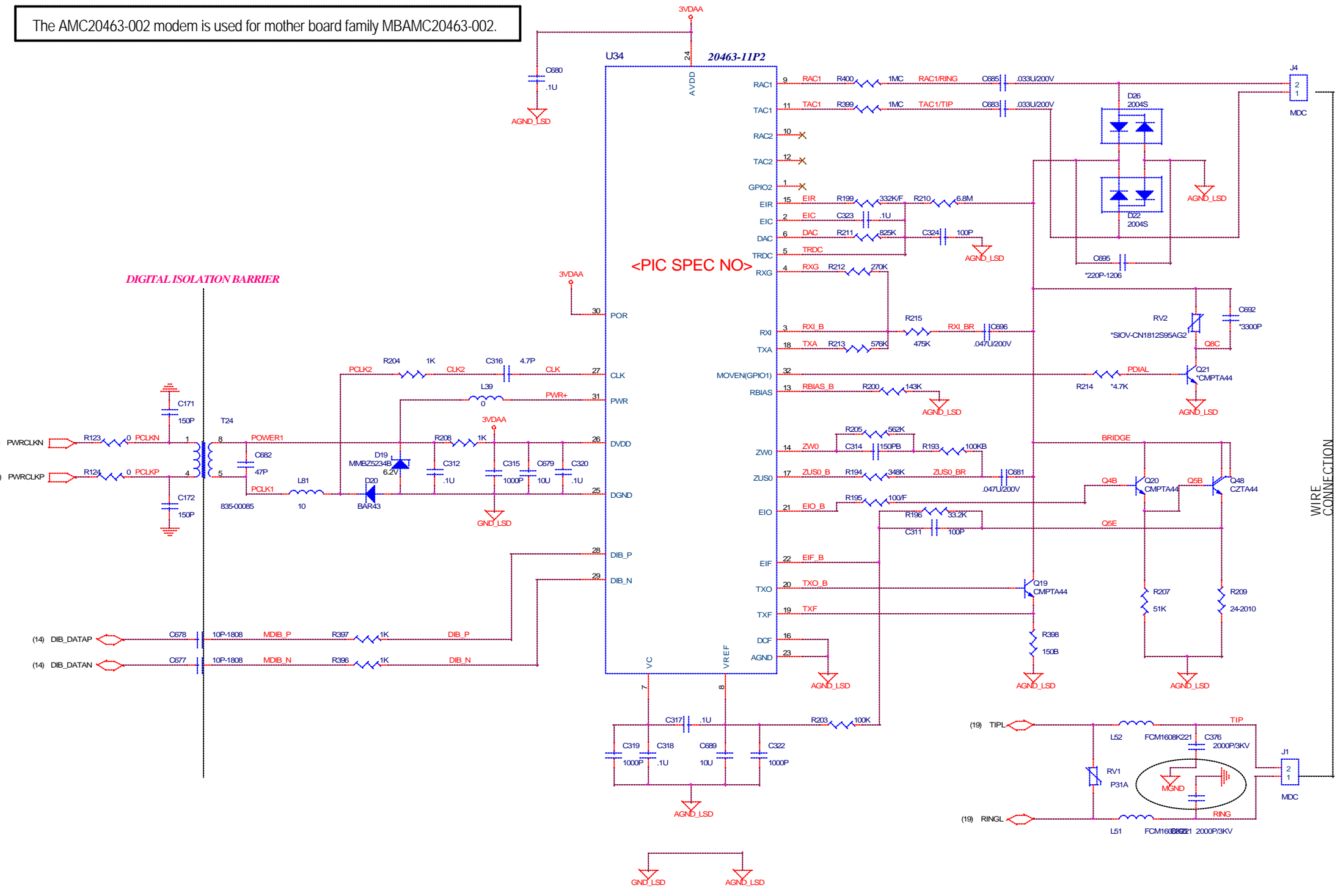
Size: Document Number  
 PCU NS87570  
 Date: Wednesday, April 23, 2003 Sheet 20 of 26 Rev 1A



The AMC20463-002 modem is used for mother board family MBAMC20463-002.

DIGITAL ISOLATION BARRIER

<PIC SPEC NO>

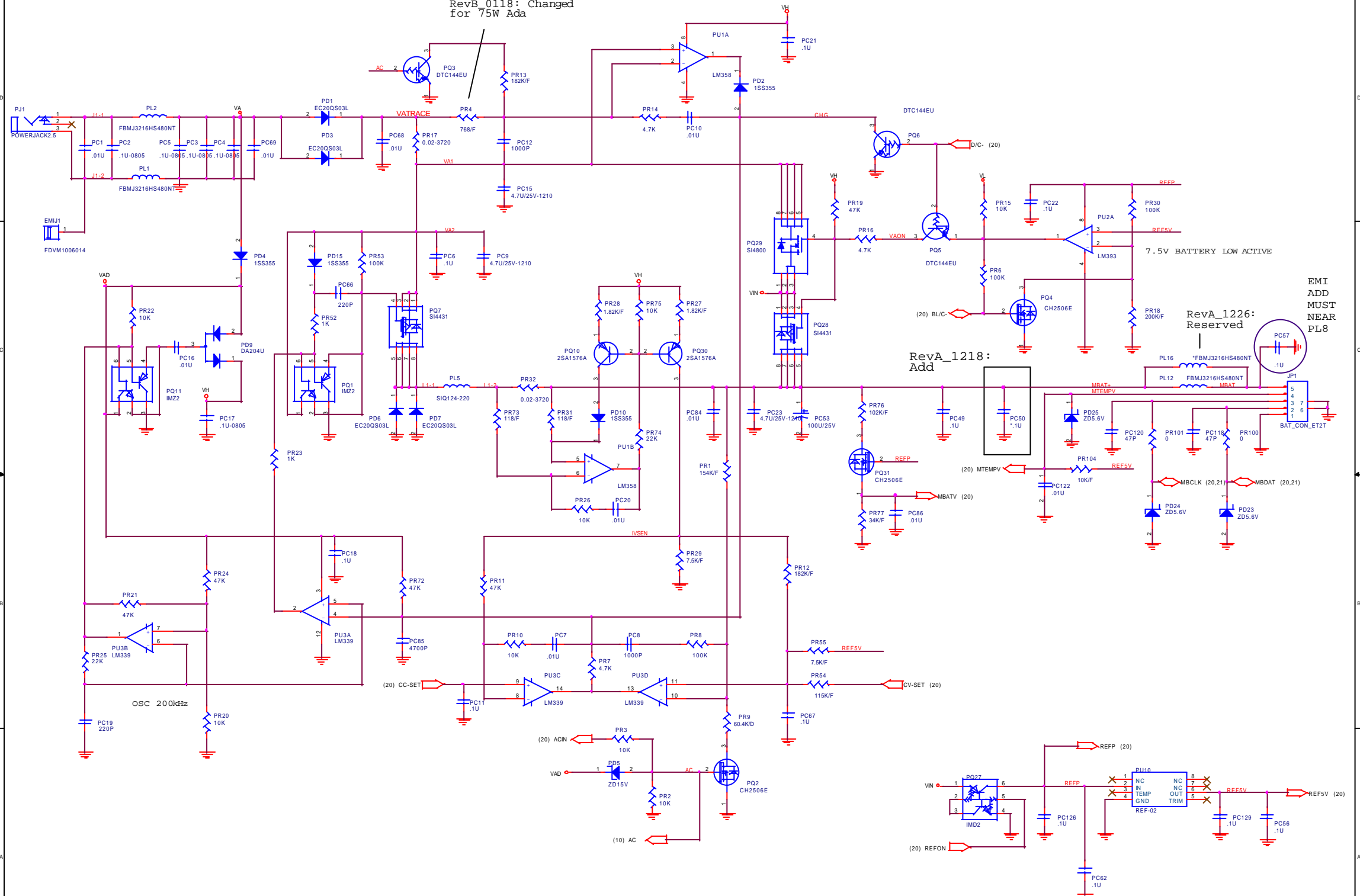


With 12 mil to connect both GND

**PROJECT: ET2T**  
**Quanta Computer Inc.**

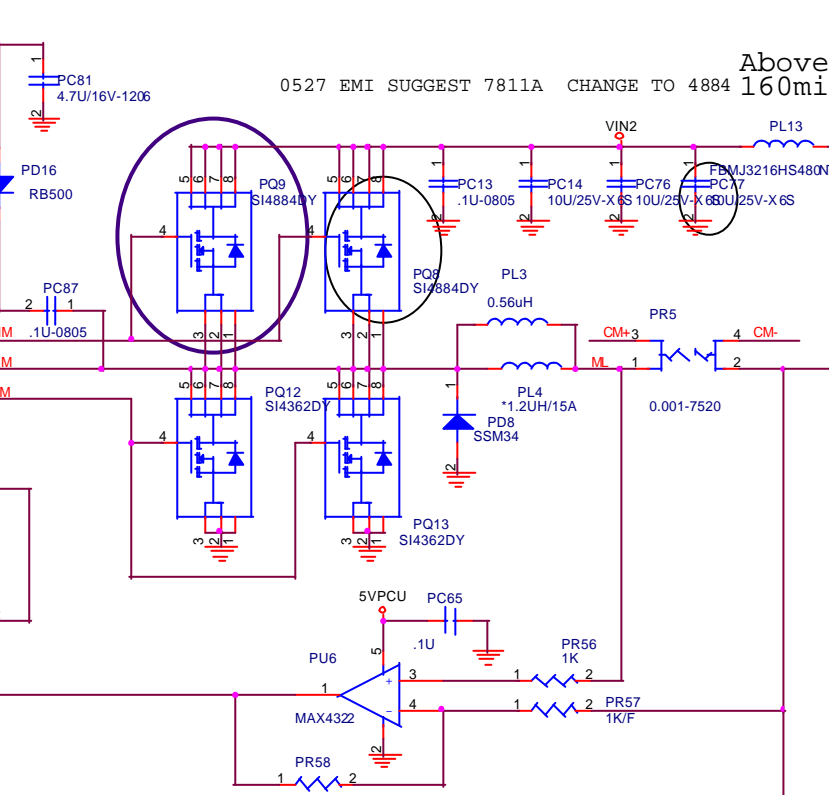
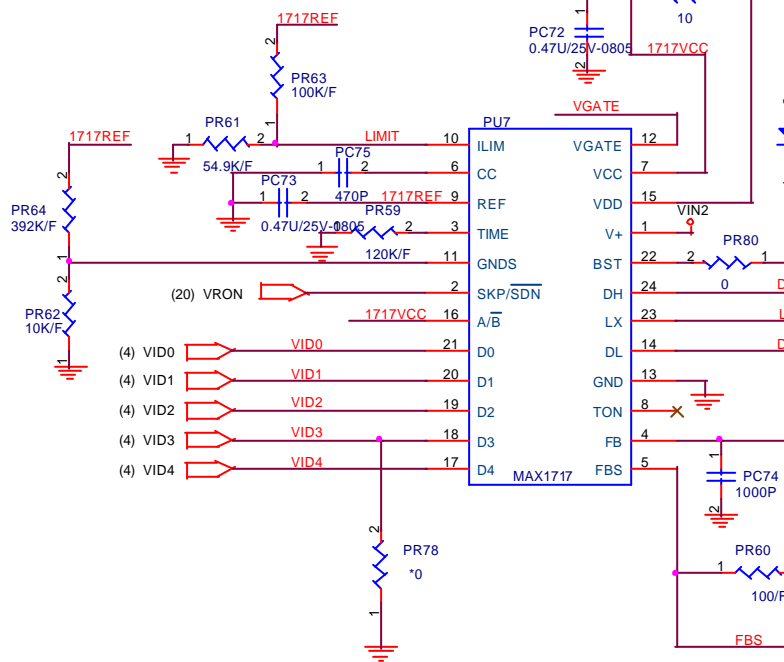
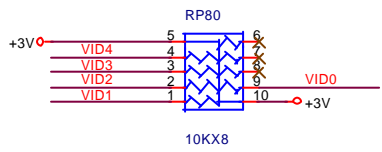
Size	Document Number	Rev
	<b>MODEM DAA</b>	1A
Date:	Wednesday, April 23, 2003	Sheet 22 of 26

RevB\_0118: Changed  
for 75W Ada







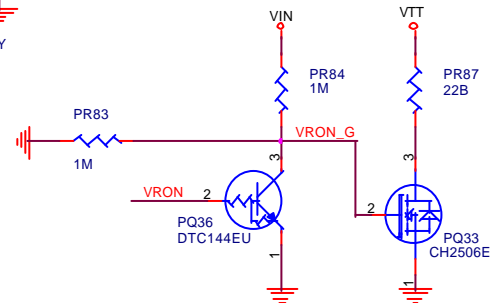
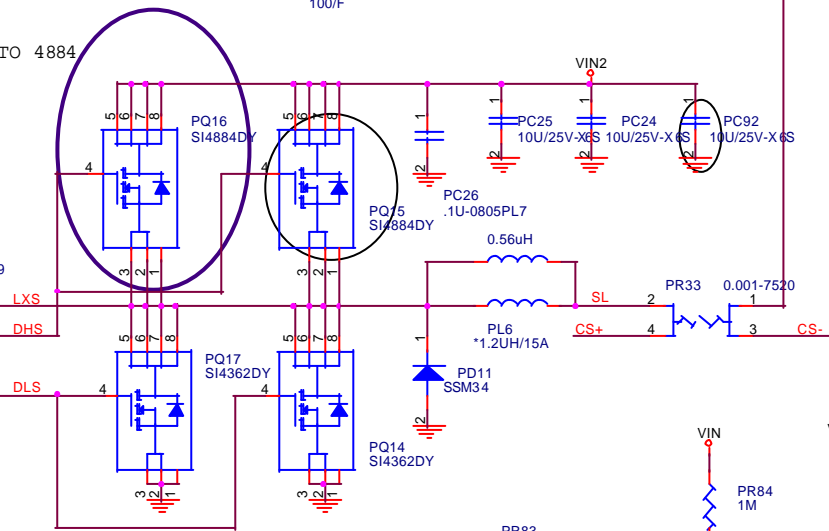
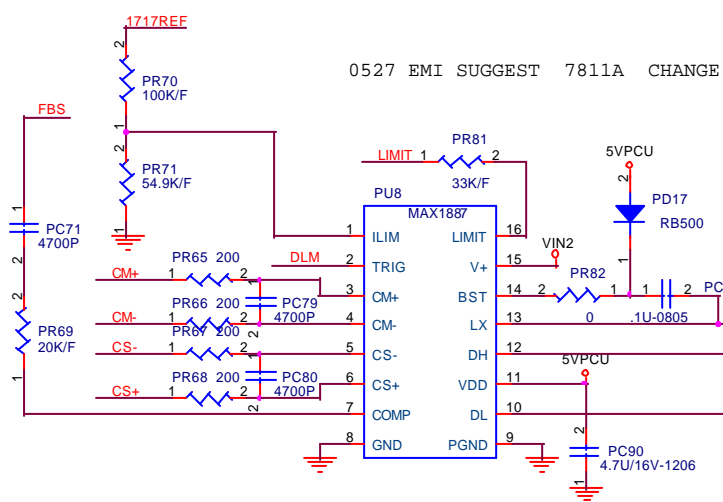


Above 160mil

Above 800mil

VTT VOLTAGE SETTING  
0=GND 1=FLAOT

D4 = 1	D4 = 0	D3	D2	D1	D0
1.275	2.00	0	0	0	0
1.250	1.95	0	0	0	1
1.225	1.90	0	0	1	0
1.200	1.85	0	0	1	1
1.175	1.80	0	1	0	0
1.150	1.75	0	1	0	1
1.125	1.70	0	1	1	0
1.100	1.65	0	1	1	1
1.075	1.60	1	0	0	0
1.050	1.55	1	0	0	1
1.025	1.50	1	0	1	0
1.000	1.45	1	0	1	1
0.975	1.40	1	1	0	0
0.950	1.35	1	1	0	1
0.925	1.30	1	1	1	0
SHUTDOWN	SHUTDOWN	1	1	1	1



**PROJECT : ET2T**  
**Quanta Computer Inc.**

Size Document Number **MAX1717 & 1887** Rev 1A

Date: Wednesday, April 23, 2003 Sheet 25 of 26

