

- 1. ALL RESISTANCE VALUES ARE IN OHMS, 0.1 WATT +/- 5%.
- 2. ALL CAPACITANCE VALUES ARE IN MICROFARADS.
- 3. ALL CRYSTALS & OSCILLATOR VALUES ARE IN HERTZ.

REV	ZONE	ECN	DESCRIPTION OF CHANGE	CK APPD DATE	ENG APPD DATE
D		263	PRODUCTION RELEASE	05/19/03	05/23/03

5/19/03 A RFA# 276257 ENGR RELEASE
5/23/03 B

PAGE TABLE OF CONTENTS

1	COVER PAGE
2,3	BLOCK DIAGRAM, SYSTEM, POWER & PCB INFO
4,5	MPC7450 MAXBUS
6,7	CPU SPEED & CONFIG OPTIONS
8	BOOTBANGER
9	CPU LA CONNECTORS, ESP, CPU BYPASS
10	CLOCKS
11	INTREPID MAX IF (SECTION 1)
12,13	INTREPID POWER & BYPASS (SECTION 8 & 9)
14	INTREPID DDR CONTROL
15	DDR MUXES
16,17	SO-DIMM, BIG DIMM
18	INTREPID AGP (SECTION 3)
19	NVIDIA AGP (SECTION 1)
20	NVIDIA FRAME BUFFER (SECTIONS 3 & 4)
21	NVIDIA FB SERIES TERMS, CLK DELAYS
22,23	GRAPHICS MEMORIES
24,25	NVIDIA DAC/DVI, CLOCKS & STRAPS (SECTIONS 2 & 5)
26,27	TMDS & EXTERNAL VGA CONNECTORS
28,29	NVIDIA POWER-ON RESET CONFIGURATION STRAPS
30	INTREPID GPIOs, INTERRUPTS & SERIAL PORTS (SECTION 6)
31	MODEM, BLUETOOTH, KITCHEN SINK & SERIAL DOWNLOAD
32	INTREPID PCI, ROM (SECTION 7)
33	WIRELESS PCI
34	USB2 CONTROLLER
35	USB POWER & CONNECTORS
36	INTREPID ETHERNET & FIREWIRE (SECTION 4)
37	ETHERNET PHY
38	FIREWIRE PHY
39	INTREPID UATA/IDE (SECTION 5)
40	ATA CD/HD CONNECTORS
41	AUDIO CODEC & VOLTAGE REGS
42,43	LINE IN/OUT BUFFERS
44,45	SPEAKER/MIC AMPS
46	POWER MANAGER UNIT
47-53	+5V/+12V, AUDIO, FW & TMDS POWER CONVERTERS
54-61	CONSTRAINT TABLES
62-66	NET TABLES
67-74	PART TABLES

Q26B DVT MLB
GEN X
REV B

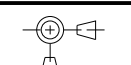

LAST_MODIFIED=Wed May 28 20:14:31 2003

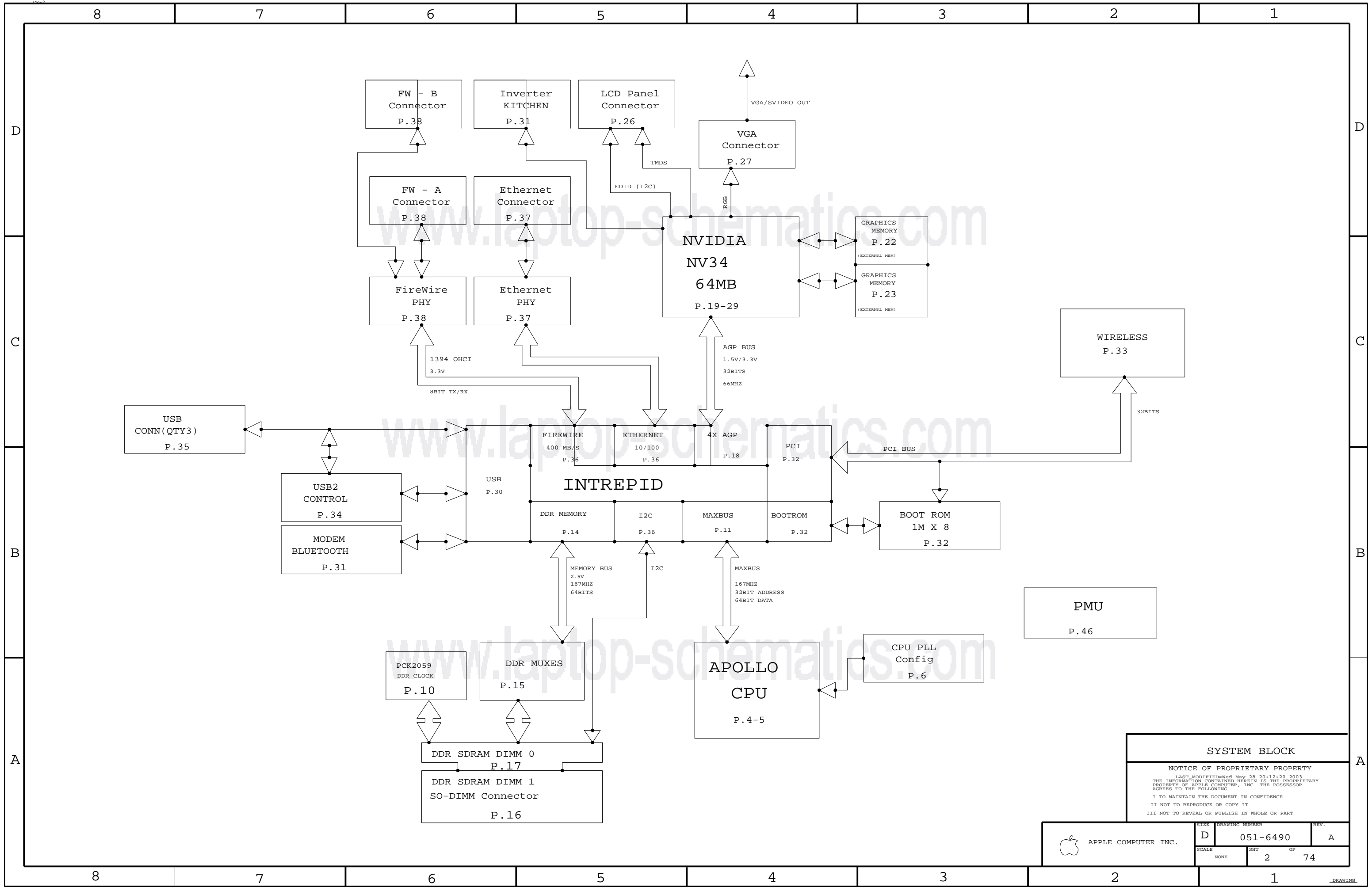
POWER RAIL DEFINITIONS

	RUN	SLEEP	SHUTDOWN
+2_5V_MAIN	ON	ON	OFF
+3V_MAIN	ON	ON	OFF
+5V_MAIN	ON	ON	OFF
+5V_SLEEP	ON	OFF	OFF
+12V_MAIN	ON	ON	ON
+12V_SLEEP	ON	OFF	OFF
FW_PWR	ON	ON	OFF
+1.8V_SLEEP	ON	OFF	OFF
+MAXBUS_SLEEP	ON	OFF	OFF

SCHEMATIC AND PCB SUPPORT

PART NUMBER	QTY	DESCRIPTION	REFERENCE DES	CRITICAL	BOM OPTION
051-6490	1	SCHEM,MLB,Q26A,GENX	SCH1	CRITICAL	
820-1501	1	PCB,MLB,IMACG4	PCB1	CRITICAL	
825-2029	1	LBL,SER #,BARCODE	PCB1		
056-1158	1	DESIGN GUIDE,MCO,IMACG4	PCB1	CRITICAL	
057-0040	1	DFM,PNLZN DWG,MLB,Q26	PCB1	CRITICAL	
630-4745	1	630-4745,PCBA,H,Q26A,EEE PRR	HYNIX		OMIT
630-4746	1	630-4746,PCBA,S,Q26A,EEE PRR	SAMSUNG		OMIT

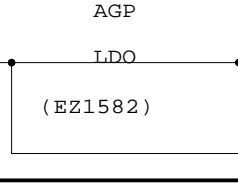
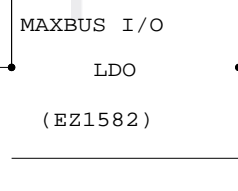
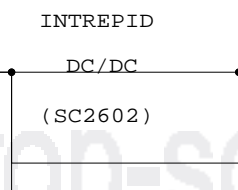
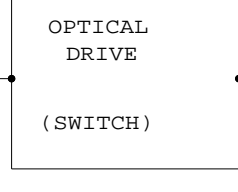
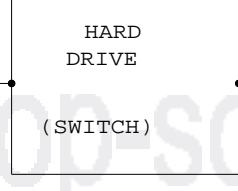
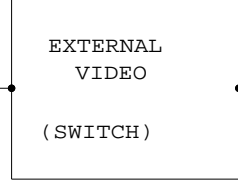
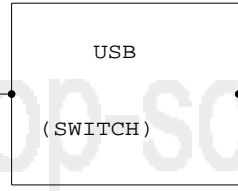
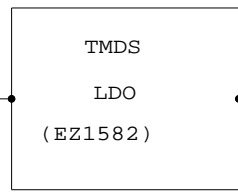
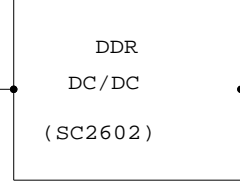
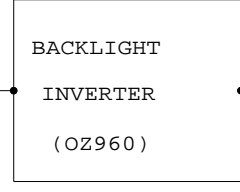
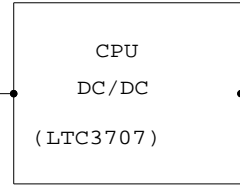
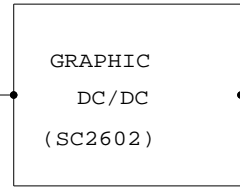
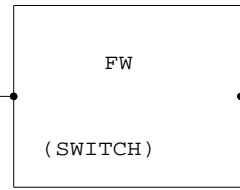
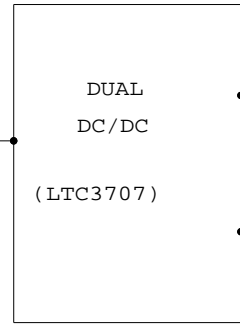
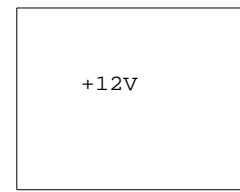
DIMENSIONS ARE IN MILLIMETERS XX: _____ X.XX: _____ X.XXX: _____ ANGLES: _____ DO NOT SCALE DRAWING  THIRD ANGLE PROJECTION	METRIC		 Apple Computer Inc. NOTICE OF PROPRIETARY PROPERTY THE INFORMATION CONTAINED HEREIN IS THE PROPRIETARY PROPERTY OF APPLE COMPUTER, INC. THE POSSESSOR AGREES TO THE FOLLOWING I TO MAINTAIN THE DOCUMENT IN CONFIDENCE II NOT TO REPRODUCE OR COPY IT III NOT TO REVEAL OR PUBLISH IN WHOLE OR PART TITLE SCHEM,MLB,Q26,GEN X DRAWING NUMBER 051-6490 REV. A SHT 1 OF 74	
	<input type="checkbox"/> DRAFTER <input checked="" type="checkbox"/> ENG APPD <input type="checkbox"/> QA APPD <input type="checkbox"/> RELEASE	<input checked="" type="checkbox"/> DESIGN CR <input checked="" type="checkbox"/> MFG APPD <input type="checkbox"/> DESIGNER <input checked="" type="checkbox"/> SCALE		<input type="checkbox"/> NONE
	MATERIAL/FINISH NOTED AS APPLICABLE			SIZE D
				DRAWING NUMBER 051-6490 REV. A



SYSTEM BLOCK

NOTICE OF PROPRIETARY PROPERTY
 LAST MODIFIED: Wed May 28 20:12:20 2003
 THE INFORMATION CONTAINED HEREIN IS THE PROPRIETARY
 PROPERTY OF APPLE COMPUTER, INC. THE POSSESSOR
 AGREES TO THE FOLLOWING
 I TO MAINTAIN THE DOCUMENT IN CONFIDENCE
 II NOT TO REPRODUCE OR COPY IT
 III NOT TO REVEAL OR PUBLISH IN WHOLE OR PART

APPLE COMPUTER INC.	SIZE	DRAWING NUMBER	REV.
	D	051-6490	A
SCALE	SHT	OF	
NONE	2	74	



www.laptop-schematics.com

www.laptop-schematics.com

www.laptop-schematics.com

LAYER	THICKNESS (MILS)	COPPER (OZ)	TRACE WIDTH (MILS)
1 - SIGNAL-TOP	0.7	0.5	4
PREPREG	3	---	---
2 - GROUND1	1.4	1	---
PREPREG	3	---	---
3 - SIGNAL	0.7	0.5	4
FILLER	17.4	---	---
4 - POWER	2.8	2	---
PREPREG	4	---	---
5 - POWER	2.8	2	---
FILLER	17.4	---	---
6 - SIGNAL	0.7	0.5	4
PREPREG	3	---	---
7 - GROUND2	1.4	1	---
PREPREG	3	---	---
8 - SIGNAL-BOTTOM	0.7	0.5	4
=====	=====	=====	=====
TOTAL	62.0	---	---

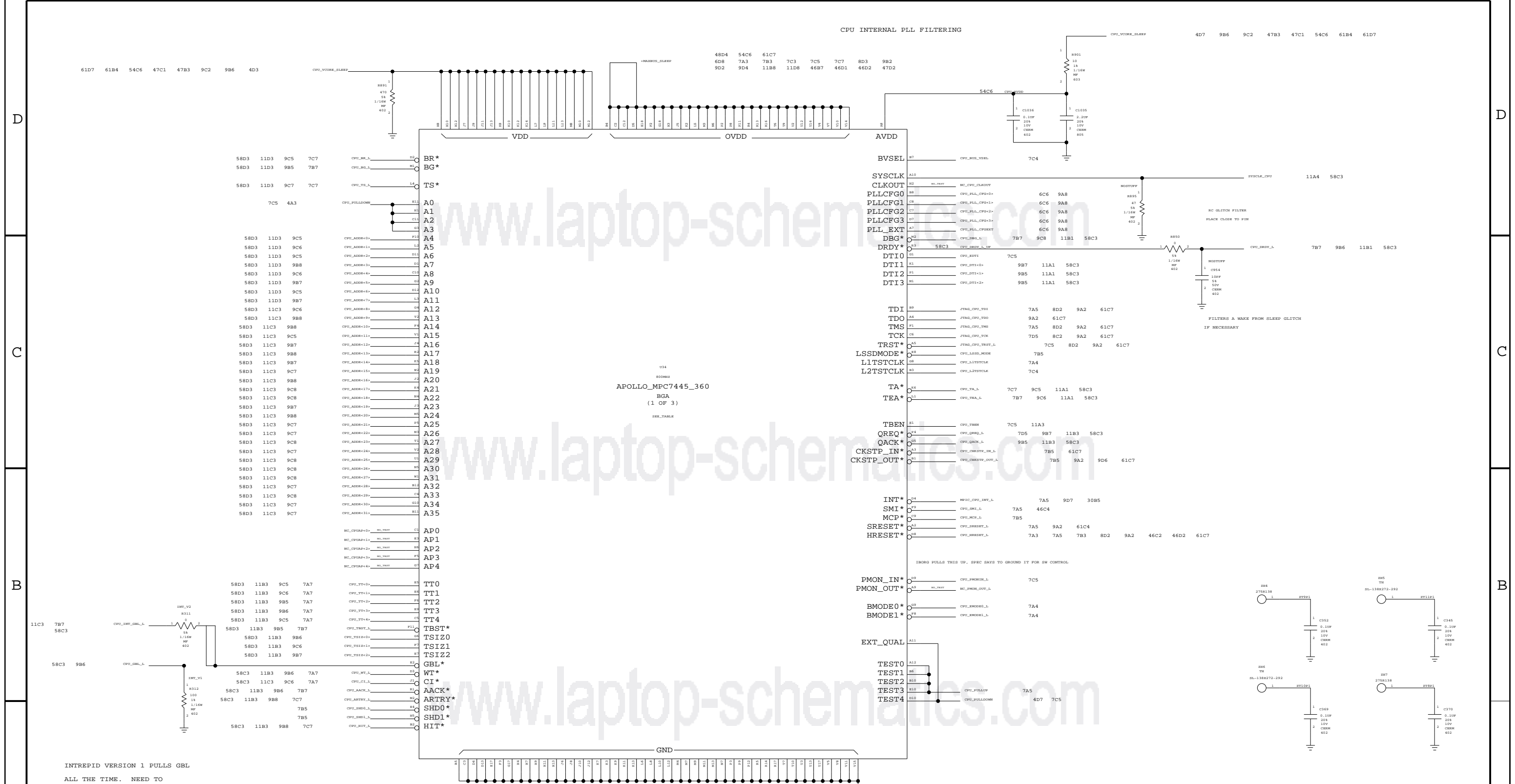
POWER SYSTEM ARCHITECTURE

PWR BLOCK, PCB INFO

NOTICE OF PROPRIETARY PROPERTY
 LAST MODIFIED: Wed May 28 20:12:21 2003
 THE INFORMATION CONTAINED HEREIN IS THE PROPRIETARY PROPERTY OF APPLE COMPUTER, INC. THE POSSESSOR AGREES TO THE FOLLOWING
 I TO MAINTAIN THE DOCUMENT IN CONFIDENCE
 II NOT TO REPRODUCE OR COPY IT
 III NOT TO REVEAL OR PUBLISH IN WHOLE OR PART

APPLE COMPUTER INC.

SIZE	DRAWING NUMBER	REV.
D	051-6490	A
SCALE	SHT	OF
NONE	3	74



INTREPID VERSION 1 PULLS GBL
ALL THE TIME. NEED TO
CUT THE TRACE AND YANK
DOWN HARD FOR SNOOPING.
FIXED IN INTREPID VERSION 2.

CPU MECHANICAL PARTS SUPPORT

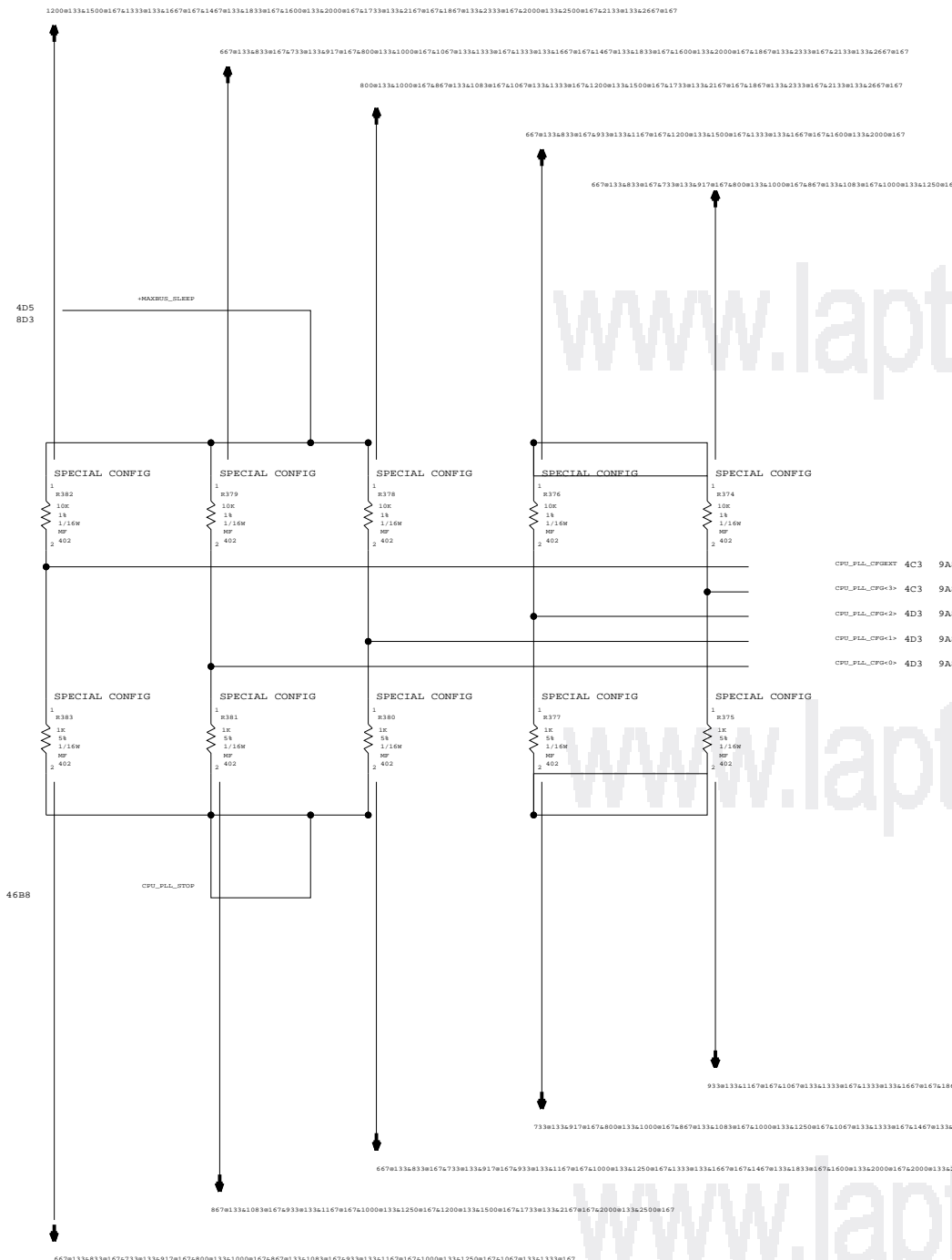
PART NUMBER	QTY	DESCRIPTION	REFERENCE DES	CRITICAL	BOM OPTION
875-1475	1	PAD, THERMAL, CPU, U34	U341	CRITICAL	
870-1113	1	HEAT SINK, CPU, Q26, U34	U342	CRITICAL	DEV
870-1114	1	CLIP, HEAT SINK, CPU, Q26, U34	U343	CRITICAL	DEV
412-0042	1	SCREW, MACH, 3MM W, 8MM L, U34	U344	CRITICAL	DEV
835-0251	1	NUT, 3MM, U34	U345	CRITICAL	DEV

MPC7450 MAXBUS

NOTICE OF PROPRIETARY PROPERTY
LAST MODIFIED: Wed May 28 20:22:59 2003
THE INFORMATION CONTAINED HEREIN IS THE PROPRIETARY
PROPERTY OF APPLE COMPUTER, INC. THE POSSESSOR
AGREES TO THE FOLLOWING
I TO MAINTAIN THE DOCUMENT IN CONFIDENCE
II NOT TO REPRODUCE OR COPY IT
III NOT TO REVEAL OR PUBLISH IN WHOLE OR PART

APPLE COMPUTER INC.	SIZE D	DRAWING NUMBER 051-6490	REV. A
	SCALE NONE	SHEET 4	OF 74

BOMPTIONS FOR UPPER-SET OF RESISTORS



CPU FREQUENCY CONFIGURATION (SUPPORTED CPU & BUS SPEEDS)

MULTIPLIER (BUS-TO-CORE)	CORE FREQUENCY (AT BUS FREQUENCY)		CPU_PLL_CFG E 0123 HEX
	167MHZ	133MHZ	
5.0X	833	667	0 1011 0B
5.5X	917	733	0 1001 09
6.0X	1000	800	0 1101 0D
6.5X	1083	867	0 0101 05
7.0X	1167	933	0 0010 02
7.5X	1250	1000	0 0001 01
8.0X	1333	1067	0 1100 0C
9.0X	1500	1200	1 0111 17
10.0X	1667	1333	1 1010 1A
11.0X	1833	1467	1 1001 19
12.0X	2000	1600	1 1011 1B
13.0X	2167	1733	1 0101 15
14.0X	2333	1867	1 1100 1C
15.0X	2500	2000	1 0001 11
16.0X	2667	2133	1 1101 1D

CPU FREQUENCY CONFIGURATION (OTHER POSSIBLE CPU & BUS SPEEDS)

MULTIPLIER (BUS-TO-CORE)	CORE FREQUENCY (AT BUS FREQUENCY)		CPU_PLL_CFG E 0123 HEX	
	167MHZ	133MHZ		
0.0X	PLL OFF		0 1111 0F	
1.0X	(11.5X)	167 (1917)	133 (1533)	0 0000 00
PLL BYPASS				
2.0X	PLL BYPASS		0 0100 04	
2.5X	(8.5X)	417 (1417)	333 (1133)	0 0110 06
3.0X	500		400	0 1000 08
3.5X	(13.5X)	583 (2250)	467 (1800)	0 1110 0E
4.0X	667		533	0 1010 0A
4.5X	(9.5X)	750 (1583)	600 (1267)	0 0111 07
17.0X	2833	2267	1 0000 10	
18.0X	3000	2400	1 0010 12	
20.0X	3333	2667	1 0011 13	
21.0X	3500	2800	1 0100 14	
24.0X	4000	3200	1 0110 16	
10.5X	1750	1400	1 1000 18	
28.0X	4667	3733	1 1110 1E	
12.5X	2083	1667	1 1111 1F	

BOMPTIONS FOR LOWER-SET OF RESISTORS

CPU SPEED & BUS RATIO SUPPORT
 THE CONFIGURATION RESISTORS BELOW ARE SELF CONFIGURING
 WHEN THE ENGINEER SELECTS THE APPROPRIATE CPU AND
 BUS SPEED BOM OPTION, THE APPROPRIATE RESISTORS ARE
 ARE AUTOMATICALLY SELECTED

PART NUMBER	QTY	DESCRIPTION	REFERENCE DES	CRITICAL	BOM OPTION
337S2674	1	IC, APOLLO, N5, V3. 3. 1. 0GHZ	U34		1000e133
116S1473	2	RES, 4.7K-OHM, 5%, 1/16W, 0402	R887, R368		1000e133
114S1004	1	RES, 10K-OHM, 1%, 1/16W, 0402	R866		1000e133
337S2769	1	IC, APOLLO, N5, V3. 3. 1. 250GHZ	U34		1250e167
116S1473	3	RES, 4.7K-OHM, 5%, 1/16W, 0402	R887, R368, R357		1250e167

CPU BUS RATIO BITS

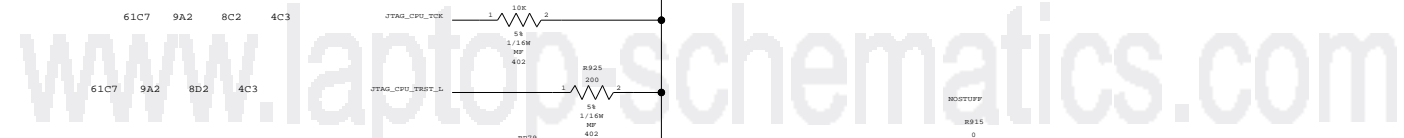
NOTICE OF PROPRIETARY PROPERTY
 LAST MODIFIED: Wed May 28 20:23:01 2003
 THE INFORMATION CONTAINED HEREIN IS THE PROPRIETARY
 PROPERTY OF APPLE COMPUTER, INC. THE POSSESSOR
 AGREES TO THE FOLLOWING
 I TO MAINTAIN THE DOCUMENT IN CONFIDENCE
 II NOT TO REPRODUCE OR COPY IT
 III NOT TO REVEAL OR PUBLISH IN WHOLE OR PART

APPLE COMPUTER INC.	SIZE	DRAWING NUMBER	REV.
	D	051-6490	A
SCALE	SHT	OF	
NONE	6	74	

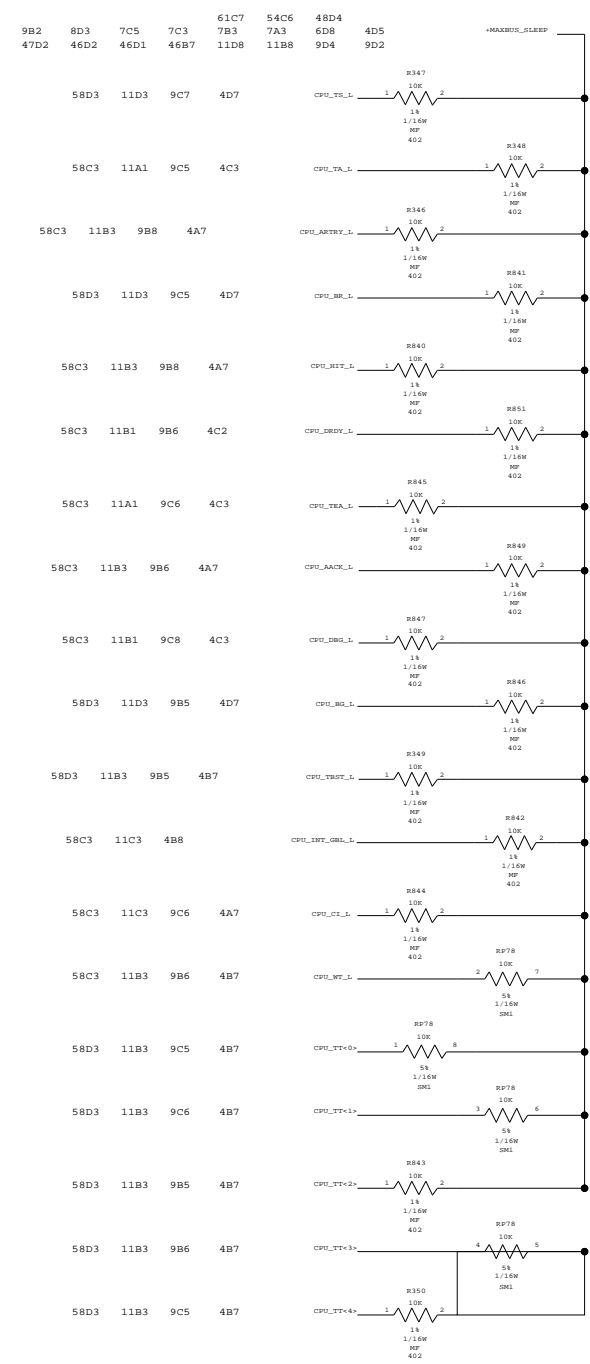
BMODE	MSSCR0	Sys Bus	Vger ID	Addr Drve
L L	1 1	???	01	yes unavail
L !hr	1 0	Max	01	yes unavail
L hr	1 1	???	00	yes unavail
L H	1 0	Max	00	yes unavail
!hr L	0 1	MB+	01	yes unavail
!hr !hr	0 0	60x	01	yes unavail
!hr hr	0 1	MB+	00	yes unavail
!hr H	0 0	60x	00	yes unavail
hr L	1 1	???	01	norm unavail
hr !hr	1 0	Max	01	norm
hr hr	1 1	???	00	norm unavail
hr H	1 0	MAX	00	NORM
H L	0 1	MB+	01	norm unavail
H !hr	0 0	60x	01	norm
H hr	0 1	MB+	00	norm unavail
H H	0 0	60x	00	norm

-- DEFAULT 58C3 11B3 9B7 4C3

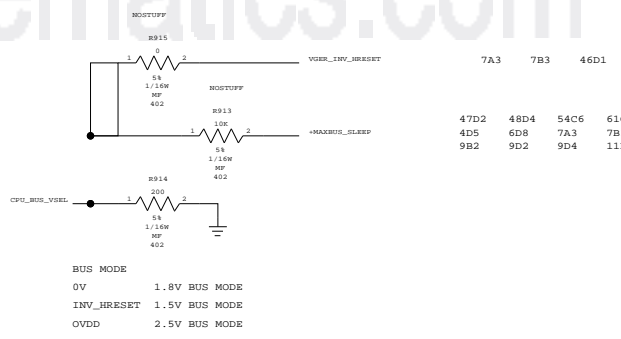
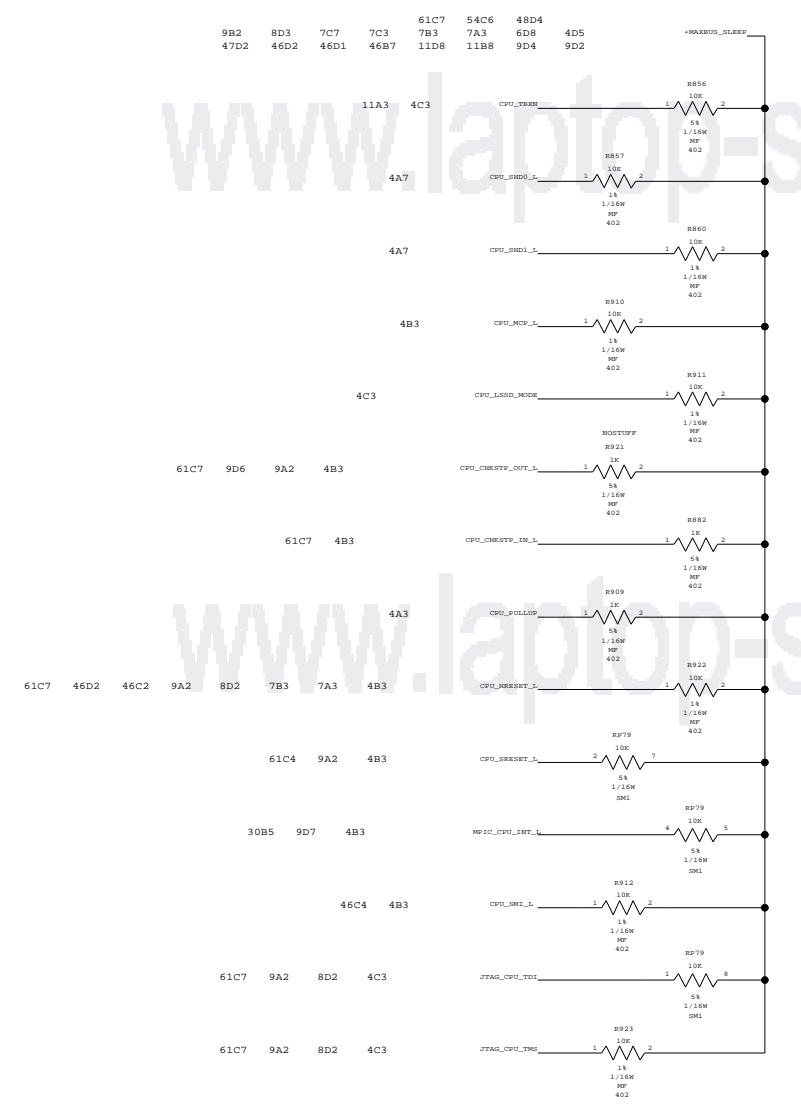
SIGNAL	TIED	APPLICATION
CPU_EMODE0_L	HIGH	60X BUS MODE
CPU_HRESET_L	CPU_HRESET_L	MAX BUS MODE
CPU_HRESET_L	CPU_HRESET_L	2.5V INTERFACE
CPU_BUS_VSEL	LOW	1.8V INTERFACE
CPU_HRESET_H	CPU_HRESET_H	1.5V INTERFACE
CPU_HRESET_L or L3_OVDD	CPU_HRESET_L or L3_OVDD	2.5V INTERFACE
CPU_L3_VSEL	LOW	1.8V INTERFACE
CPU_HRESET_H	CPU_HRESET_H	1.5V INTERFACE



MAXBUS PULL-UPS



MPC7450 PULL-UPS



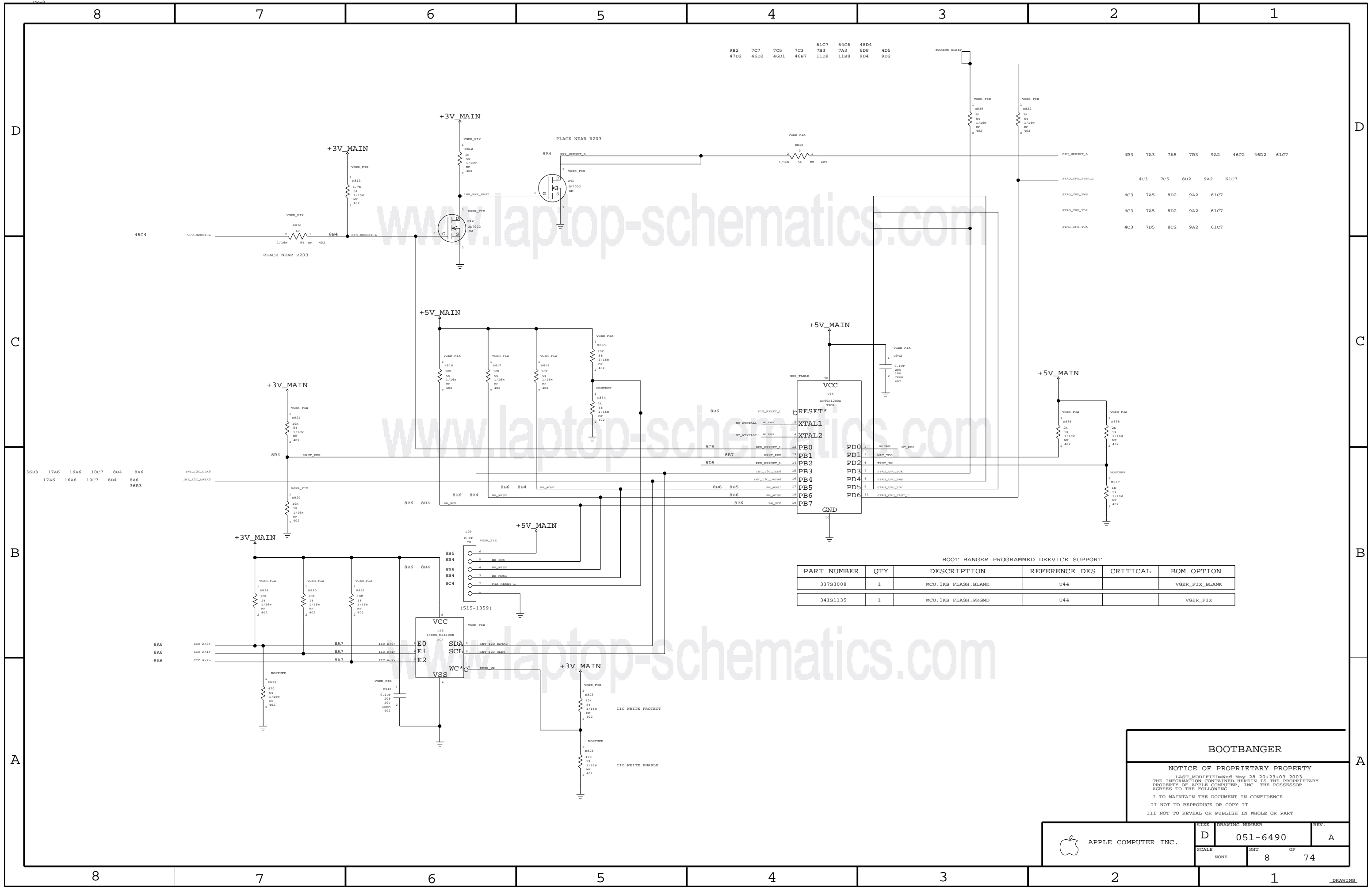
BUS MODE
 0V 1.8V BUS MODE
 INV_HRESET 1.5V BUS MODE
 OVDD 2.5V BUS MODE



CPU CONFIG OPTIONS

NOTICE OF PROPRIETARY PROPERTY
 LAST MODIFIED: Wed May 28 20:23:02 2003
 THE INFORMATION CONTAINED HEREIN IS THE PROPRIETARY PROPERTY OF APPLE COMPUTER, INC. THE POSSESSOR AGREES TO THE FOLLOWING
 I TO MAINTAIN THE DOCUMENT IN CONFIDENCE
 II NOT TO REPRODUCE OR COPY IT
 III NOT TO REVEAL OR PUBLISH IN WHOLE OR PART

DRAWING NUMBER	051-6490		REV.	A
	SCALE	NONE	SHT	7 OF 74



BOOT BANGER PROGRAMMED DEEVICE SUPPORT

PART NUMBER	QTY	DESCRIPTION	REFERENCE DES	CRITICAL	BOM OPTION
337S3008	1	MCU,1KB FLASH, BLANK	U44		VGER_FIX_BLANK
341S1135	1	MCU,1KB FLASH, PRGMD	U44		VGER_FIX

BOOTBANGER

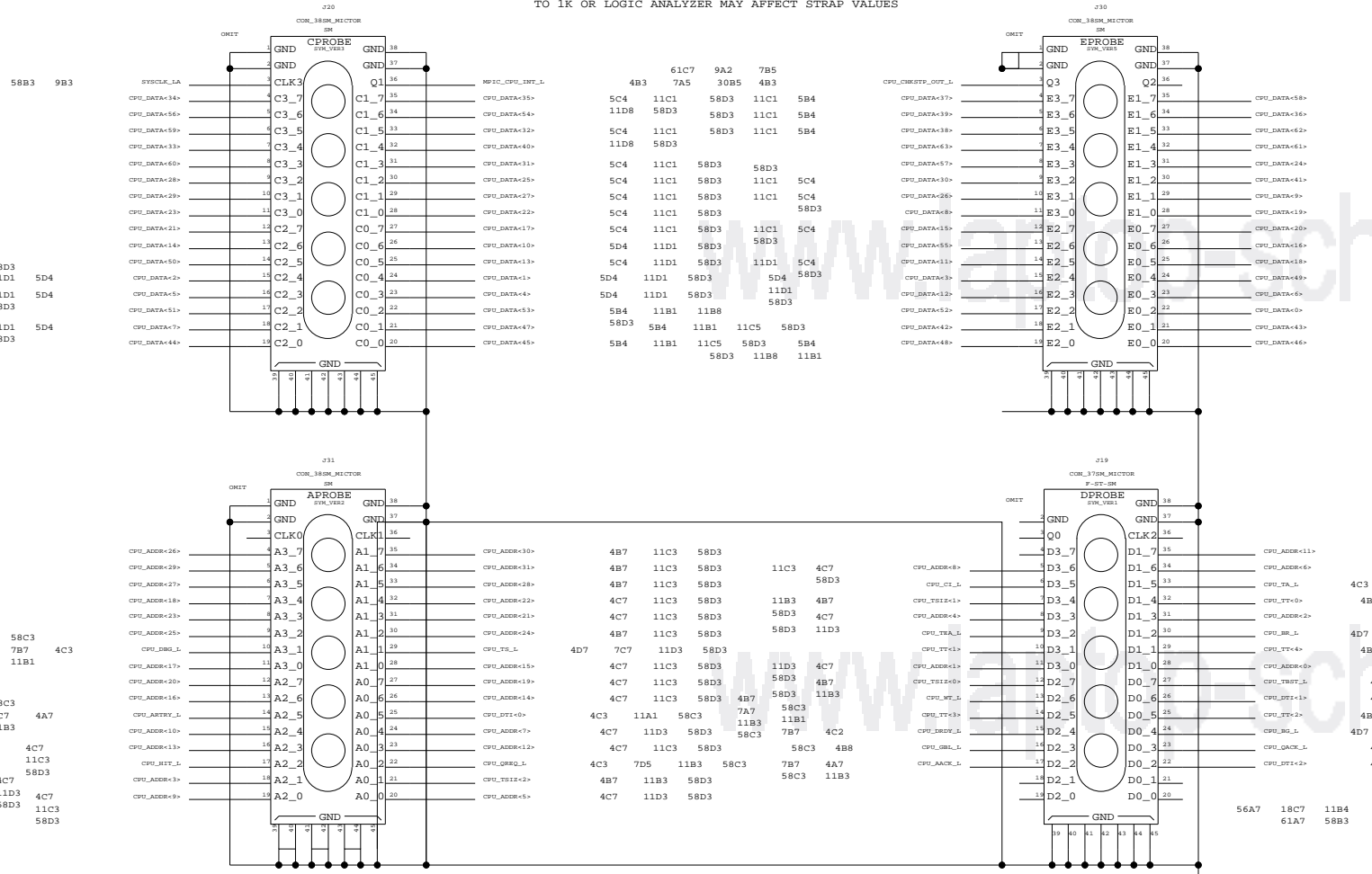
NOTICE OF PROPRIETARY PROPERTY
 LAST MODIFIED: Wed May 28 20:23:03 2003
 THE INFORMATION CONTAINED HEREIN IS THE PROPRIETARY PROPERTY OF APPLE COMPUTER, INC. THE POSSESSOR AGREES TO THE FOLLOWING

I TO MAINTAIN THE DOCUMENT IN CONFIDENCE
 II NOT TO REPRODUCE OR COPY IT
 III NOT TO REVEAL OR PUBLISH IN WHOLE OR PART

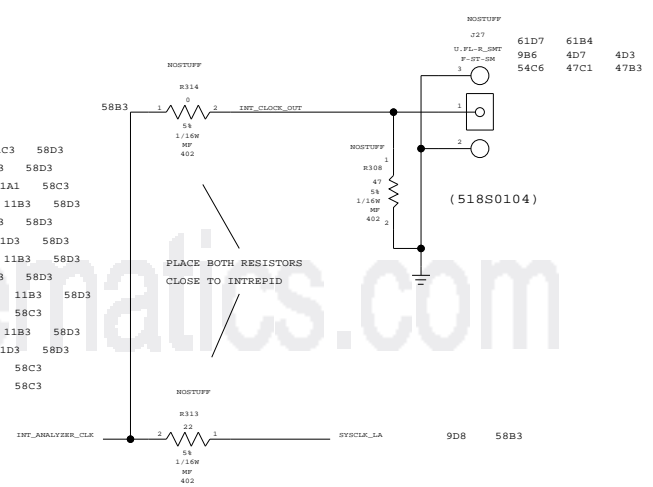
APPLE COMPUTER INC.	SIZE	DRAWING NUMBER	REV.
	D	051-6490	A
SCALE	NONE	SHT	OF
		8	74

MAXBUS LOGIC ANALYZER SUPPORT

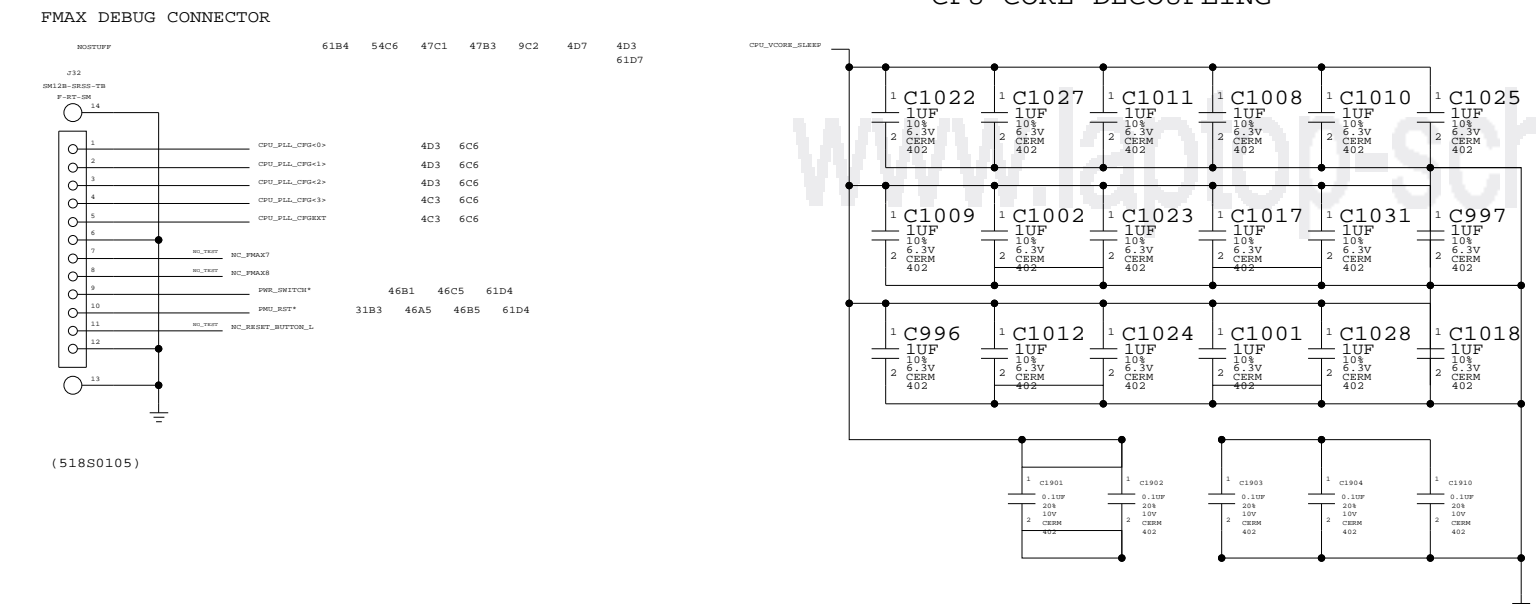
NOTE: INTREPID MAXBUS CONFIG STRAPS MUST DROP TO 1K OR LOGIC ANALYZER MAY AFFECT STRAP VALUES



INTREPID CLOCK OUTPUT

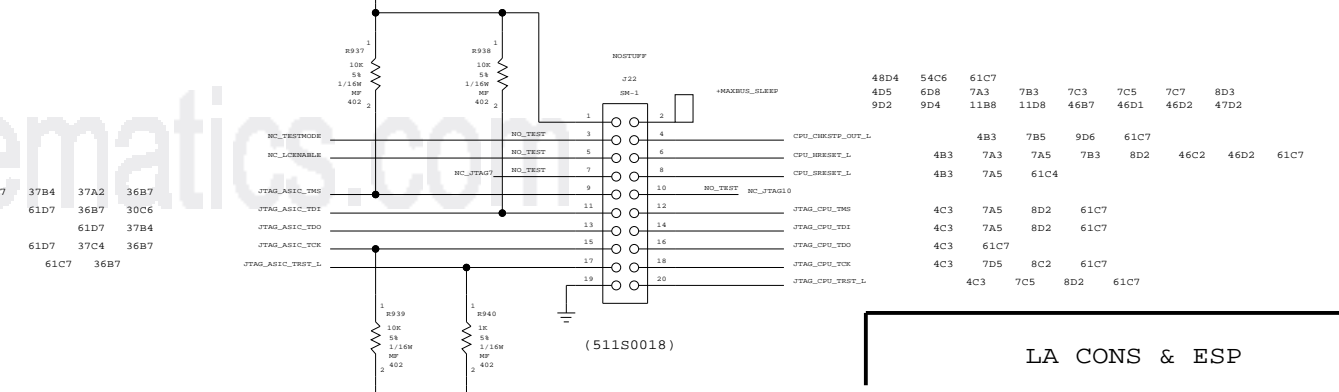


CPU CORE DECOUPLING



PULLDOWN ON TRST* STRONGER TO OVERCOME POSSIBLE LEAKAGE

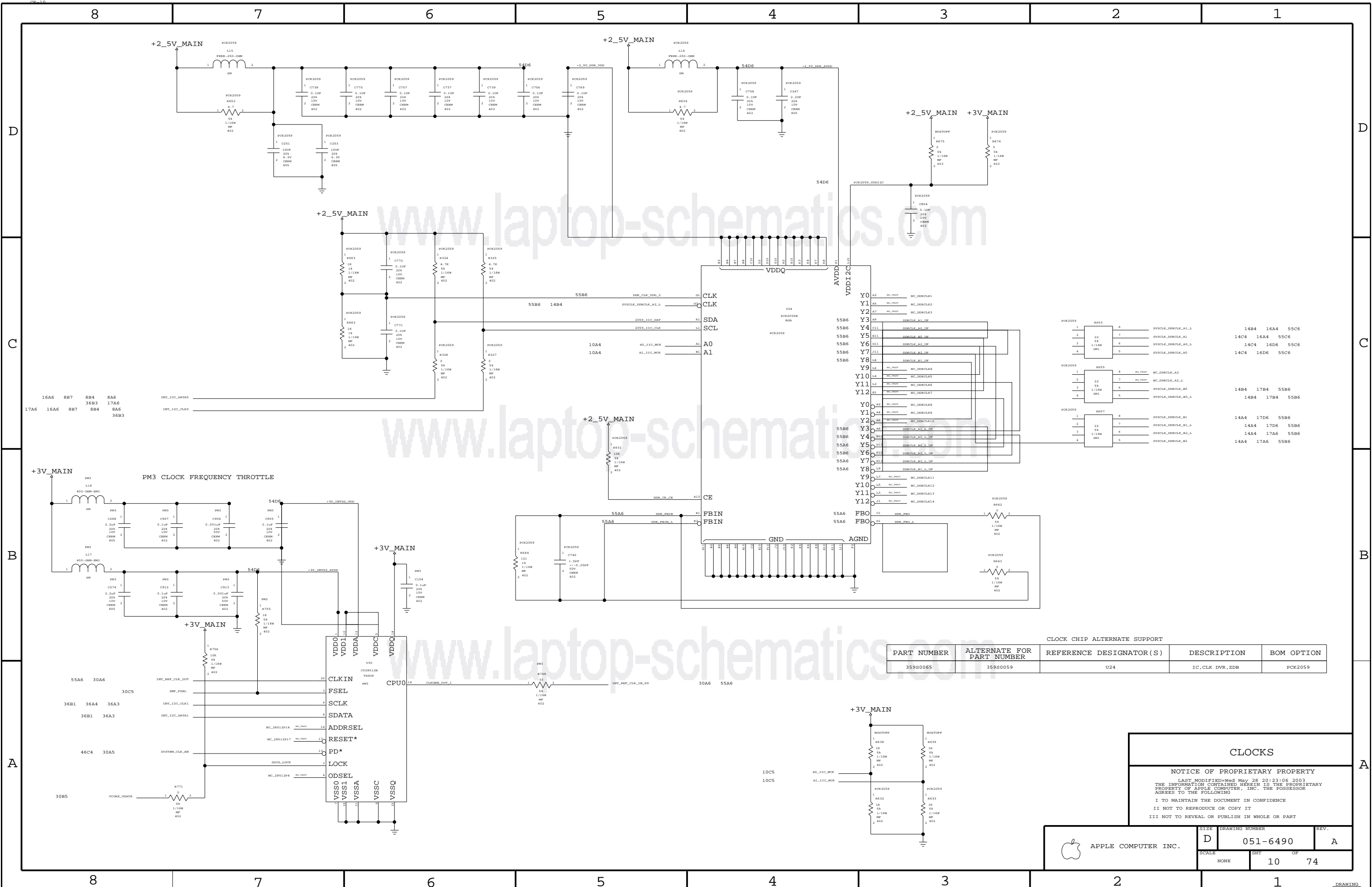
+3V MAIN



LA CONS & ESP

NOTICE OF PROPRIETARY PROPERTY
 LAST MODIFIED: Wed May 28 20:23:05 2003
 THE INFORMATION CONTAINED HEREIN IS THE PROPRIETARY PROPERTY OF APPLE COMPUTER, INC. THE POSSESSOR AGREES TO THE FOLLOWING

I TO MAINTAIN THE DOCUMENT IN CONFIDENCE
 II NOT TO REPRODUCE OR COPY IT
 III NOT TO REVEAL OR PUBLISH IN WHOLE OR PART



CLOCK CHIP ALTERNATE SUPPORT

PART NUMBER	ALTERNATE FOR PART NUMBER	REFERENCE DESIGNATOR(S)	DESCRIPTION	BOM OPTION
359S0065	359S0059	U24	IC,CLK DVR,ZDB	PCK2059

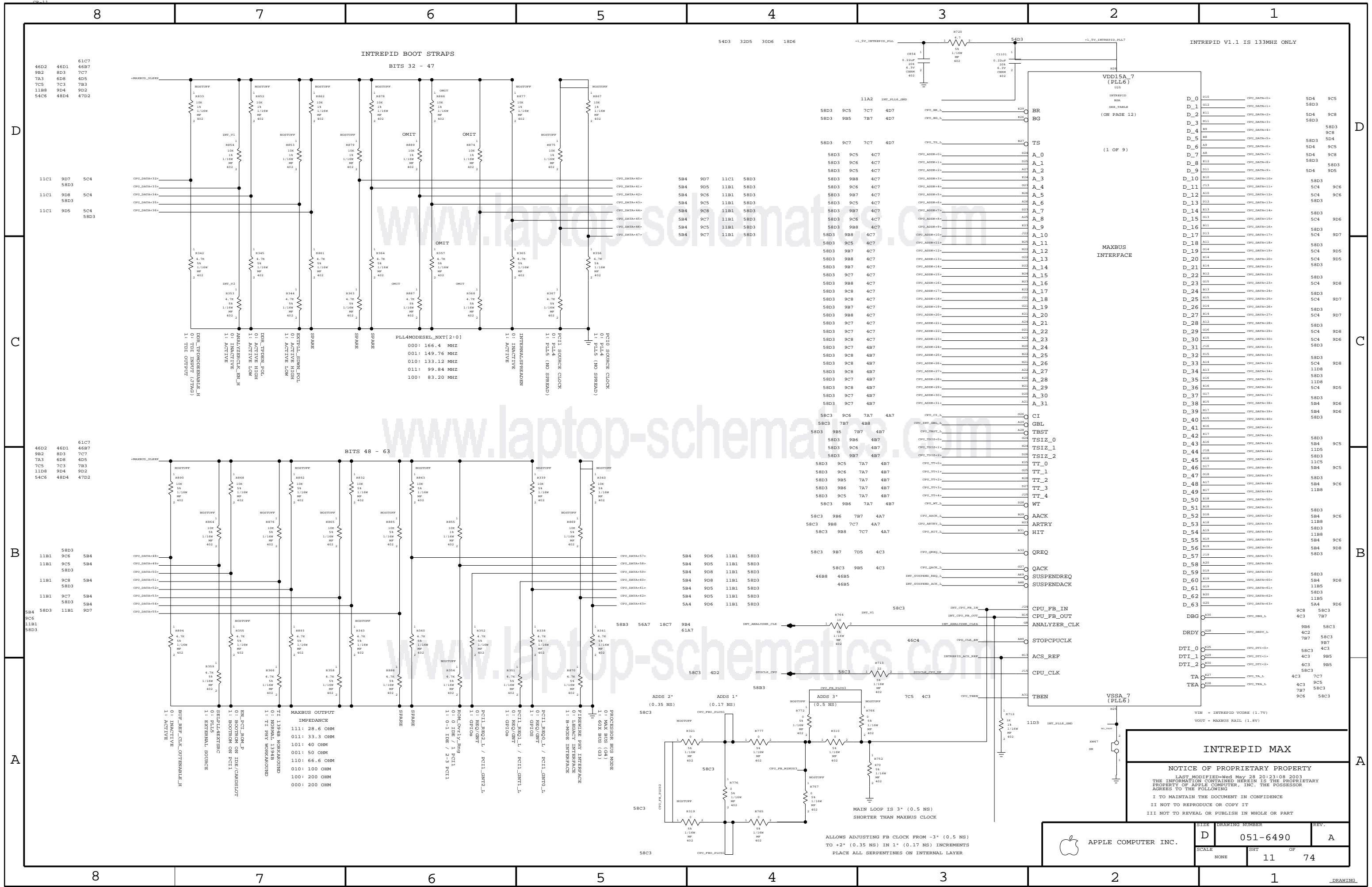
CLOCKS

NOTICE OF PROPRIETARY PROPERTY

LAST MODIFIED=Wed May 28 20:23:06 2003
 THE INFORMATION CONTAINED HEREIN IS THE PROPRIETARY PROPERTY OF APPLE COMPUTER, INC. THE POSSESSOR AGREES TO THE FOLLOWING

I TO MAINTAIN THE DOCUMENT IN CONFIDENCE
 II NOT TO REPRODUCE OR COPY IT
 III NOT TO REVEAL OR PUBLISH IN WHOLE OR PART

APPLE COMPUTER INC.	SIZE	DRAWING NUMBER	REV.
	D	051-6490	A
SCALE	SHT	OF	
NONE	10	74	

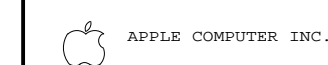


www.laptop-schematics.com

INTREPID MAX

NOTICE OF PROPRIETARY PROPERTY
 LAST MODIFIED: Wed May 28 20:23:08 2003
 THE INFORMATION CONTAINED HEREIN IS THE PROPRIETARY PROPERTY OF APPLE COMPUTER, INC. THE POSSESSOR AGREES TO THE FOLLOWING:
 I TO MAINTAIN THE DOCUMENT IN CONFIDENCE
 II NOT TO REPRODUCE OR COPY IT
 III NOT TO REVEAL OR PUBLISH IN WHOLE OR PART

DRAWING NUMBER	051-6490		REV.	A
	SCALE	SHEET	OF	
NONE	11			74



ALLOWS ADJUSTING FB CLOCK FROM -3* (0.5 NS) TO +2* (0.35 NS) IN 1* (0.17 NS) INCREMENTS
 PLACE ALL SERPENTINES ON INTERNAL LAYER

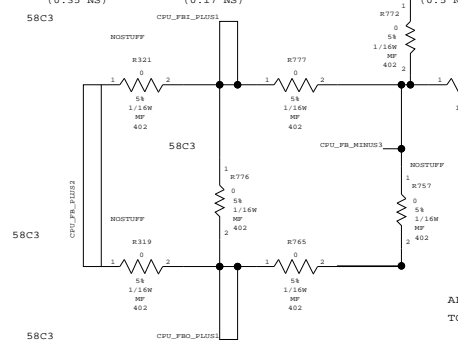
MAIN LOOP IS 3* (0.5 NS) SHORTER THAN MAXBUS CLOCK

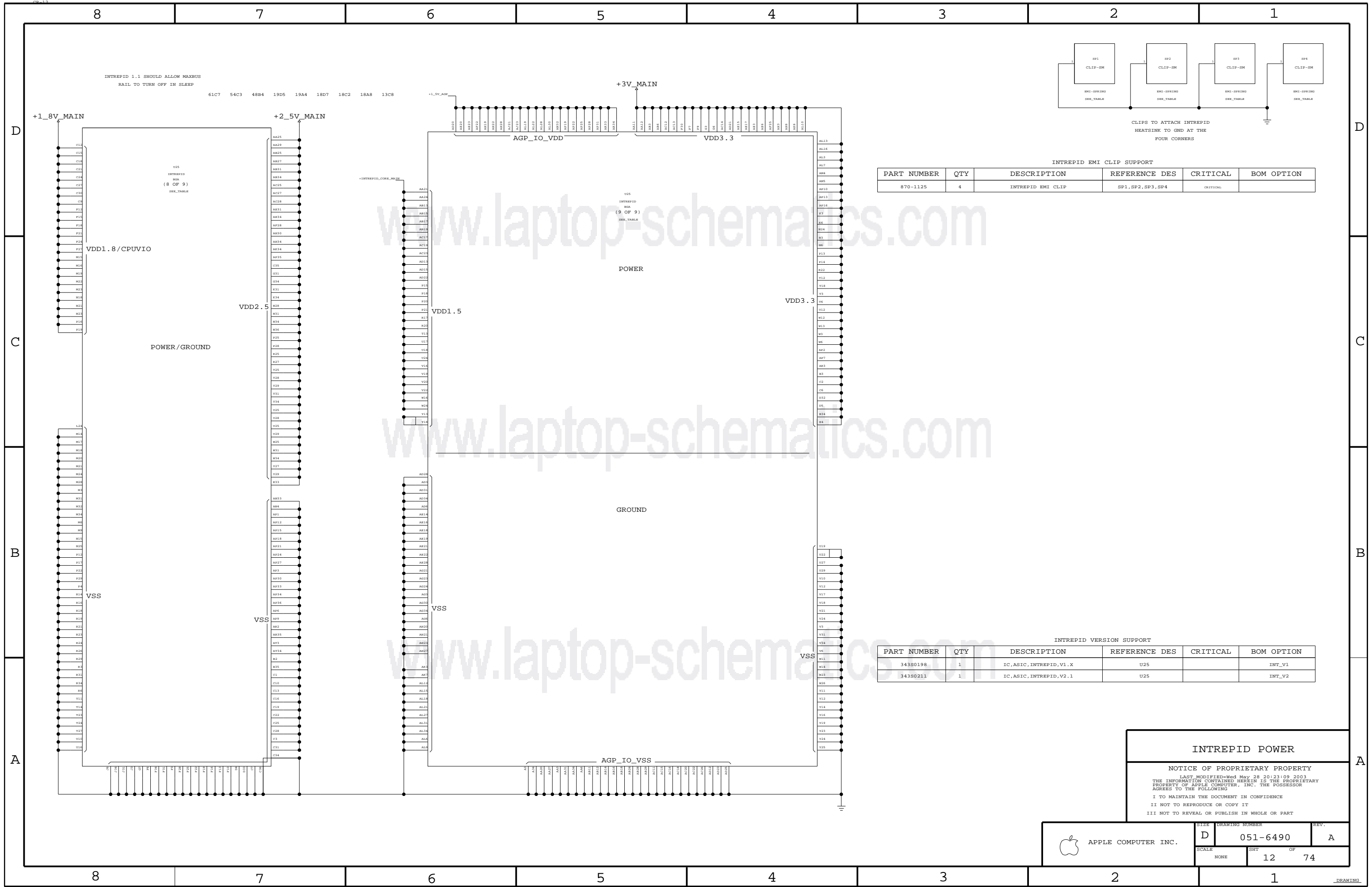
VIN = INTREPID VOOCE (1.7V)
 VOUT = MAXBUS RAIL (1.8V)

INTREPID V1.1 IS 133MHZ ONLY	D_0	CPU_DATA<0>	5D4	9C5
	D_1	CPU_DATA<1>	5D3	9C8
	D_2	CPU_DATA<2>	5D4	9C8
	D_3	CPU_DATA<3>	5D3	9C8
	D_4	CPU_DATA<4>	5D3	9C8
	D_5	CPU_DATA<5>	5D3	9C8
	D_6	CPU_DATA<6>	5D4	9C5
	D_7	CPU_DATA<7>	5D4	9C8
	D_8	CPU_DATA<8>	5D3	9C8
	D_9	CPU_DATA<9>	5D4	9D5
	D_10	CPU_DATA<10>	5D3	9C8
	D_11	CPU_DATA<11>	5C4	9C6
	D_12	CPU_DATA<12>	5C4	9C6
	D_13	CPU_DATA<13>	5D3	9C8
	D_14	CPU_DATA<14>	5D3	9C8
	D_15	CPU_DATA<15>	5C4	9D6
	D_16	CPU_DATA<16>	5D3	9C8
	D_17	CPU_DATA<17>	5C4	9D7
	D_18	CPU_DATA<18>	5D3	9C8
	D_19	CPU_DATA<19>	5C4	9D5
	D_20	CPU_DATA<20>	5D3	9C8
	D_21	CPU_DATA<21>	5C4	9D5
	D_22	CPU_DATA<22>	5D3	9C8
	D_23	CPU_DATA<23>	5C4	9D8
	D_24	CPU_DATA<24>	5D3	9C8
	D_25	CPU_DATA<25>	5C4	9D7
	D_26	CPU_DATA<26>	5D3	9C8
	D_27	CPU_DATA<27>	5C4	9D7
	D_28	CPU_DATA<28>	5D3	9C8
	D_29	CPU_DATA<29>	5C4	9D8
	D_30	CPU_DATA<30>	5C4	9D6
	D_31	CPU_DATA<31>	5D3	9C8
	D_32	CPU_DATA<32>	5D3	9C8
	D_33	CPU_DATA<33>	5C4	9D8
	D_34	CPU_DATA<34>	5D3	9C8
	D_35	CPU_DATA<35>	5D3	9C8
	D_36	CPU_DATA<36>	5C4	9D5
	D_37	CPU_DATA<37>	5D3	9C8
	D_38	CPU_DATA<38>	5B4	9D6
	D_39	CPU_DATA<39>	5B4	9D6
	D_40	CPU_DATA<40>	5D3	9C8
	D_41	CPU_DATA<41>	5D3	9C8
	D_42	CPU_DATA<42>	5D3	9C8
	D_43	CPU_DATA<43>	5D3	9C5
	D_44	CPU_DATA<44>	11D5	
	D_45	CPU_DATA<45>	5D3	9C5
	D_46	CPU_DATA<46>	5B4	9C5
	D_47	CPU_DATA<47>	5D3	9C8
	D_48	CPU_DATA<48>	5B4	9C6
	D_49	CPU_DATA<49>	11B8	
	D_50	CPU_DATA<50>	5D3	9C8
	D_51	CPU_DATA<51>	5B4	9C6
	D_52	CPU_DATA<52>	11B8	
	D_53	CPU_DATA<53>	5D3	9C8
	D_54	CPU_DATA<54>	11B8	
	D_55	CPU_DATA<55>	5B4	9C6
	D_56	CPU_DATA<56>	5B4	9D8
	D_57	CPU_DATA<57>	5D3	9C8
	D_58	CPU_DATA<58>	5B4	9D8
	D_59	CPU_DATA<59>	5D3	9C8
	D_60	CPU_DATA<60>	11B5	
	D_61	CPU_DATA<61>	5D3	9C8
	D_62	CPU_DATA<62>	11B5	
	D_63	CPU_DATA<63>	5A4	9D6
	DBG	CPU_DBG_L	9C8	5B3
		CPU_DBG_L	4C3	7B7
	DRDY	CPU_DRDY_L	9B6	5B3
		CPU_DRDY_L	4C2	5B3
		CPU_DRDY_L	7B7	5B3
	DTI_0	CPU_DTI<0>	5B3	4C3
	DTI_1	CPU_DTI<1>	4C3	9B5
	DTI_2	CPU_DTI<2>	4C3	9B5
	TA	CPU_TA_L	4C3	7C7
	TEA	CPU_TEA_L	4C3	9C5
		CPU_TEA_L	7B7	5B3
		CPU_TEA_L	9C6	5B3

PLL4MODESEL_NXT[2:0]
 000: 166.4 MHZ
 001: 149.76 MHZ
 010: 133.12 MHZ
 011: 99.84 MHZ
 100: 83.20 MHZ

MAXBUS OUTPUT IMPEDANCE
 111: 28.6 OHM
 011: 33.3 OHM
 101: 40 OHM
 001: 50 OHM
 010: 100 OHM
 100: 200 OHM
 000: 200 OHM





INTREPID EMI CLIP SUPPORT

PART NUMBER	QTY	DESCRIPTION	REFERENCE DES	CRITICAL	BOM OPTION
870-1125	4	INTREPID EMI CLIP	SP1,SP2,SP3,SP4	CRITICAL	

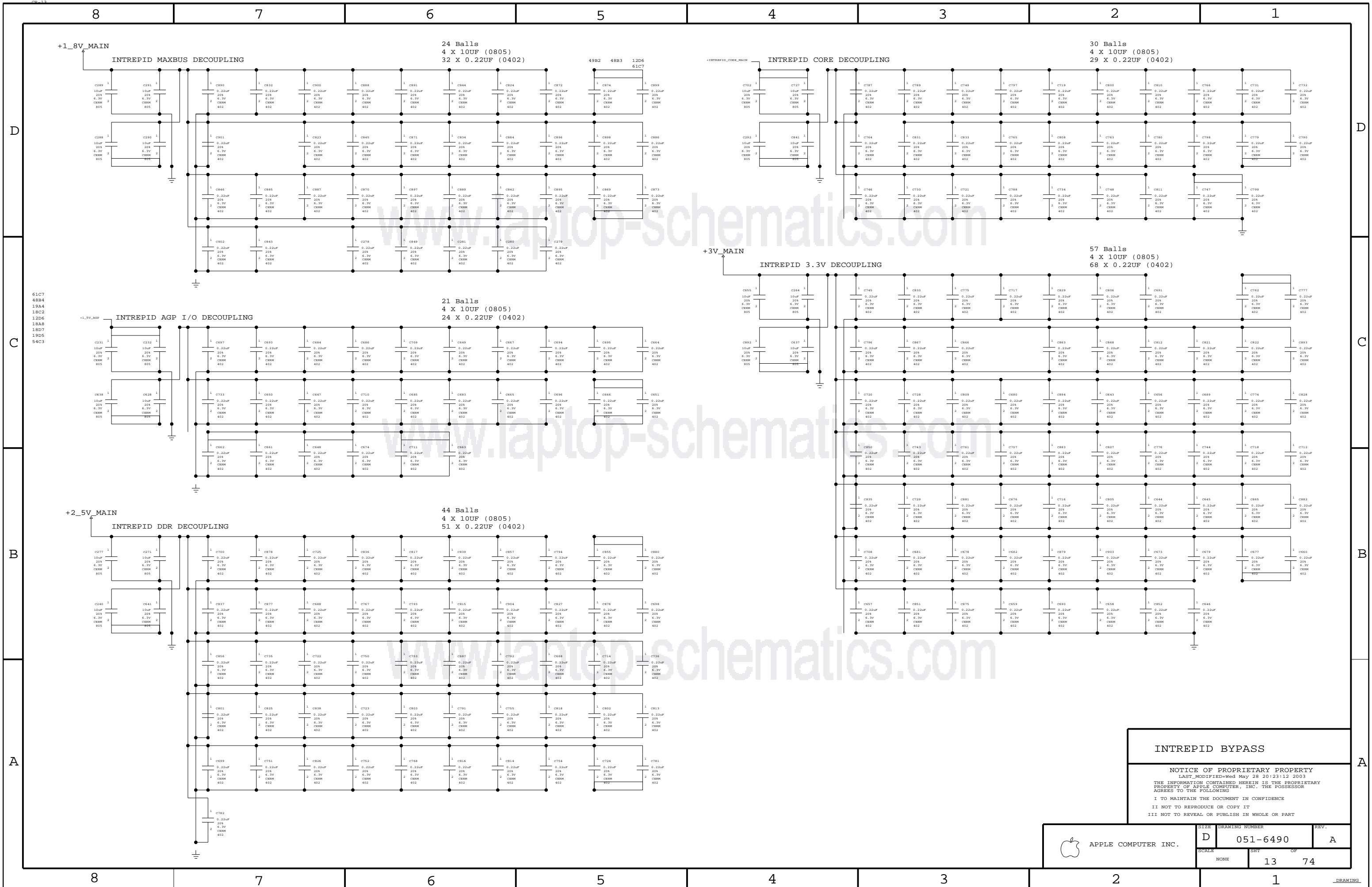
INTREPID VERSION SUPPORT

PART NUMBER	QTY	DESCRIPTION	REFERENCE DES	CRITICAL	BOM OPTION
34380198	1	IC,ASIC,INTREPID,V1.X	U25		INT_V1
34380211	1	IC,ASIC,INTREPID,V2.1	U25		INT_V2

INTREPID POWER

NOTICE OF PROPRIETARY PROPERTY
 LAST MODIFIED: Wed May 28 20:23:09 2003
 THE INFORMATION CONTAINED HEREIN IS THE PROPRIETARY PROPERTY OF APPLE COMPUTER, INC. THE POSSESSOR AGREES TO THE FOLLOWING
 I TO MAINTAIN THE DOCUMENT IN CONFIDENCE
 II NOT TO REPRODUCE OR COPY IT
 III NOT TO REVEAL OR PUBLISH IN WHOLE OR PART

APPLE COMPUTER INC.	SIZE	DRAWING NUMBER	REV.
	D	051-6490	A
SCALE	NONE	SHT	OF
		12	74

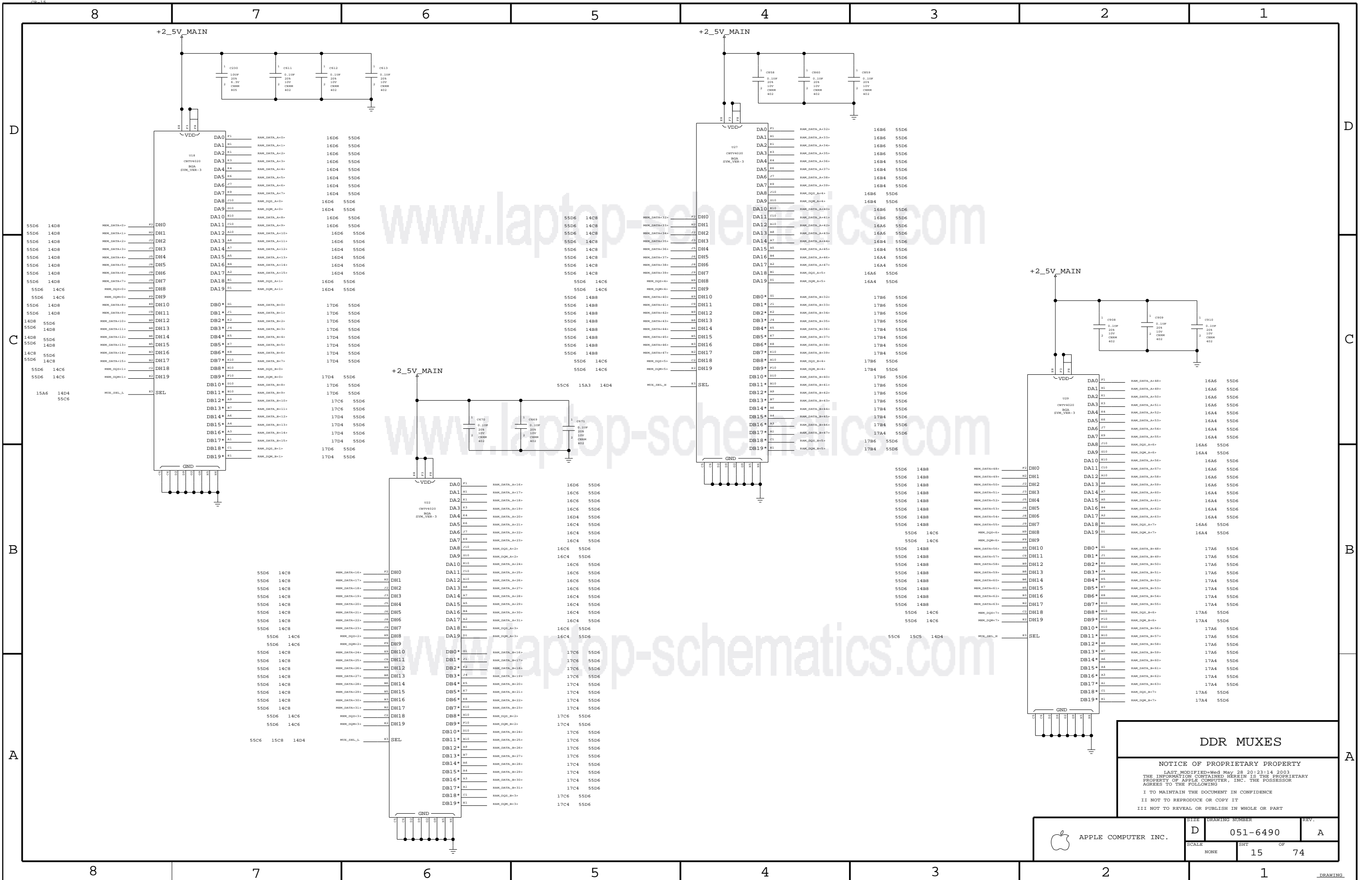


INTREPID BYPASS

NOTICE OF PROPRIETARY PROPERTY
 LAST MODIFIED=Wed May 26 20:23:12 2003
 THE INFORMATION CONTAINED HEREIN IS THE PROPRIETARY
 PROPERTY OF APPLE COMPUTER, INC. THE POSSESSOR
 AGREES TO THE FOLLOWING

I TO MAINTAIN THE DOCUMENT IN CONFIDENCE
 II NOT TO REPRODUCE OR COPY IT
 III NOT TO REVEAL OR PUBLISH IN WHOLE OR PART

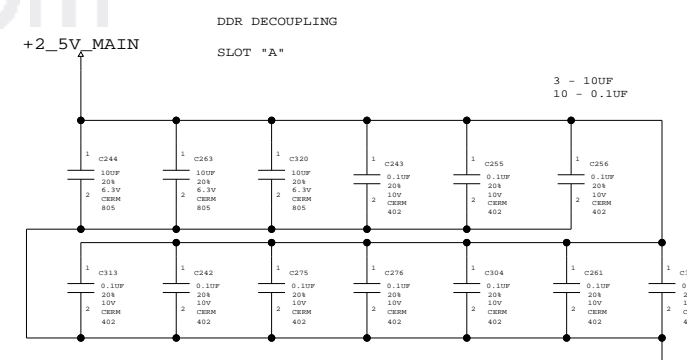
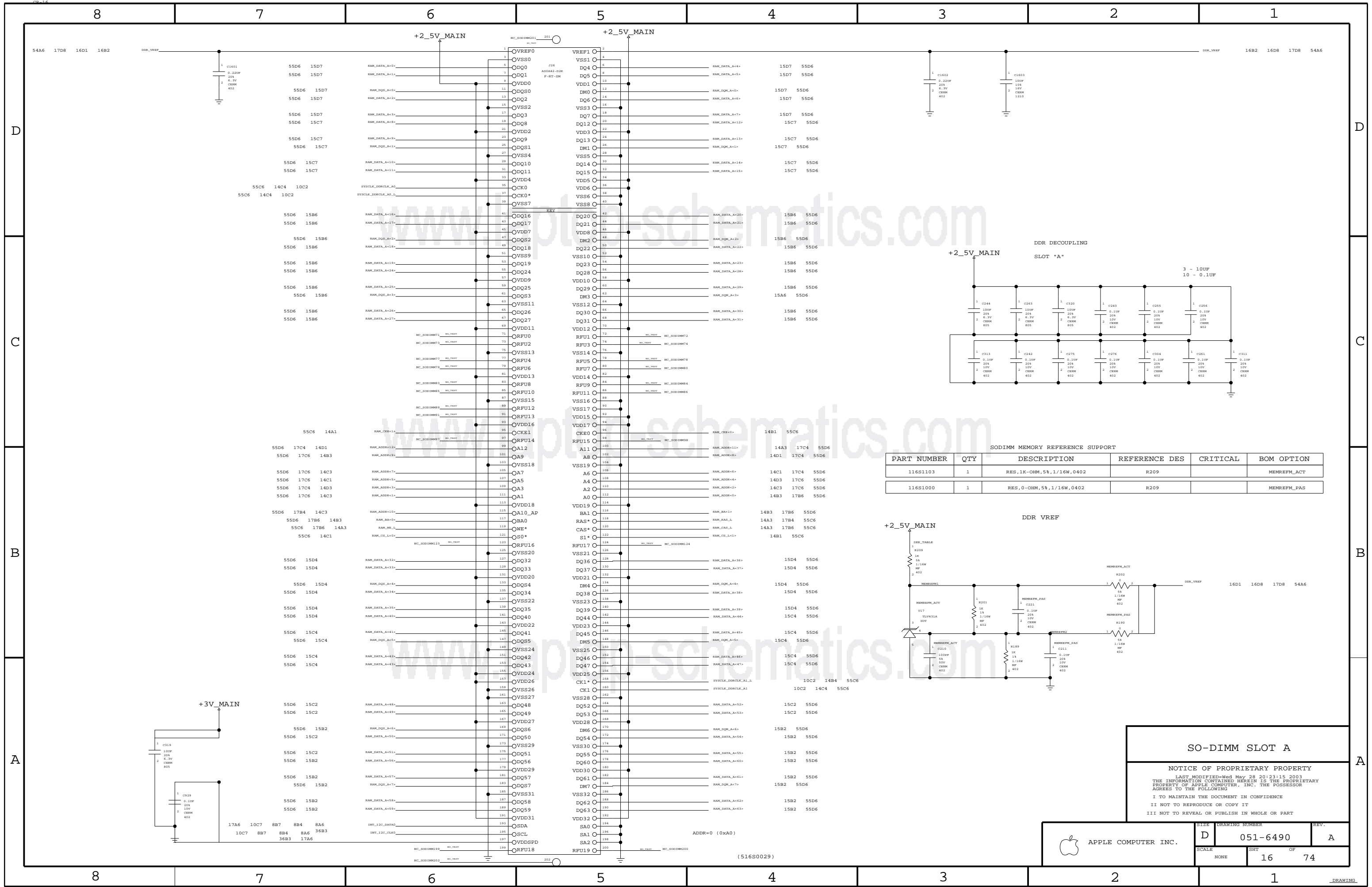
APPLE COMPUTER INC.	SIZE D SCALE NONE	DRAWING NUMBER 051-6490	REV. A
	SHEET 13	OF 74	



DDR MUXES

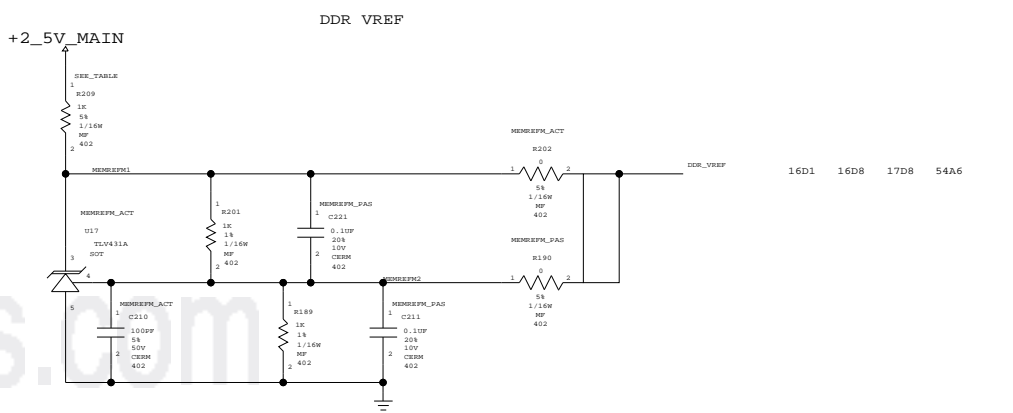
NOTICE OF PROPRIETARY PROPERTY
 LAST MODIFIED: Wed May 28 20:23:14 2003
 THE INFORMATION CONTAINED HEREIN IS THE PROPRIETARY PROPERTY OF APPLE COMPUTER, INC. THE POSSESSOR AGREES TO THE FOLLOWING:
 I TO MAINTAIN THE DOCUMENT IN CONFIDENCE
 II NOT TO REPRODUCE OR COPY IT
 III NOT TO REVEAL OR PUBLISH IN WHOLE OR PART

APPLE COMPUTER INC.	SIZE	DRAWING NUMBER	REV.
	NONE	051-6490	A
SCALE	SHT	OF	
	15	74	



SODIMM MEMORY REFERENCE SUPPORT

PART NUMBER	QTY	DESCRIPTION	REFERENCE DES	CRITICAL	BOM OPTION
116S1103	1	RES, 1K-OHM, 5%, 1/16W, 0402	R209		MEMREFM_ACT
116S1000	1	RES, 0-OHM, 5%, 1/16W, 0402	R209		MEMREFM_PAS

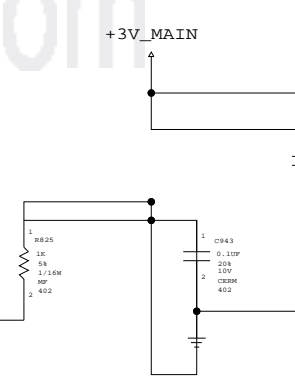
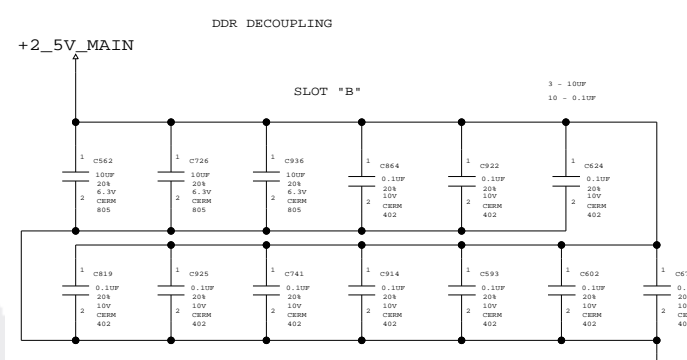
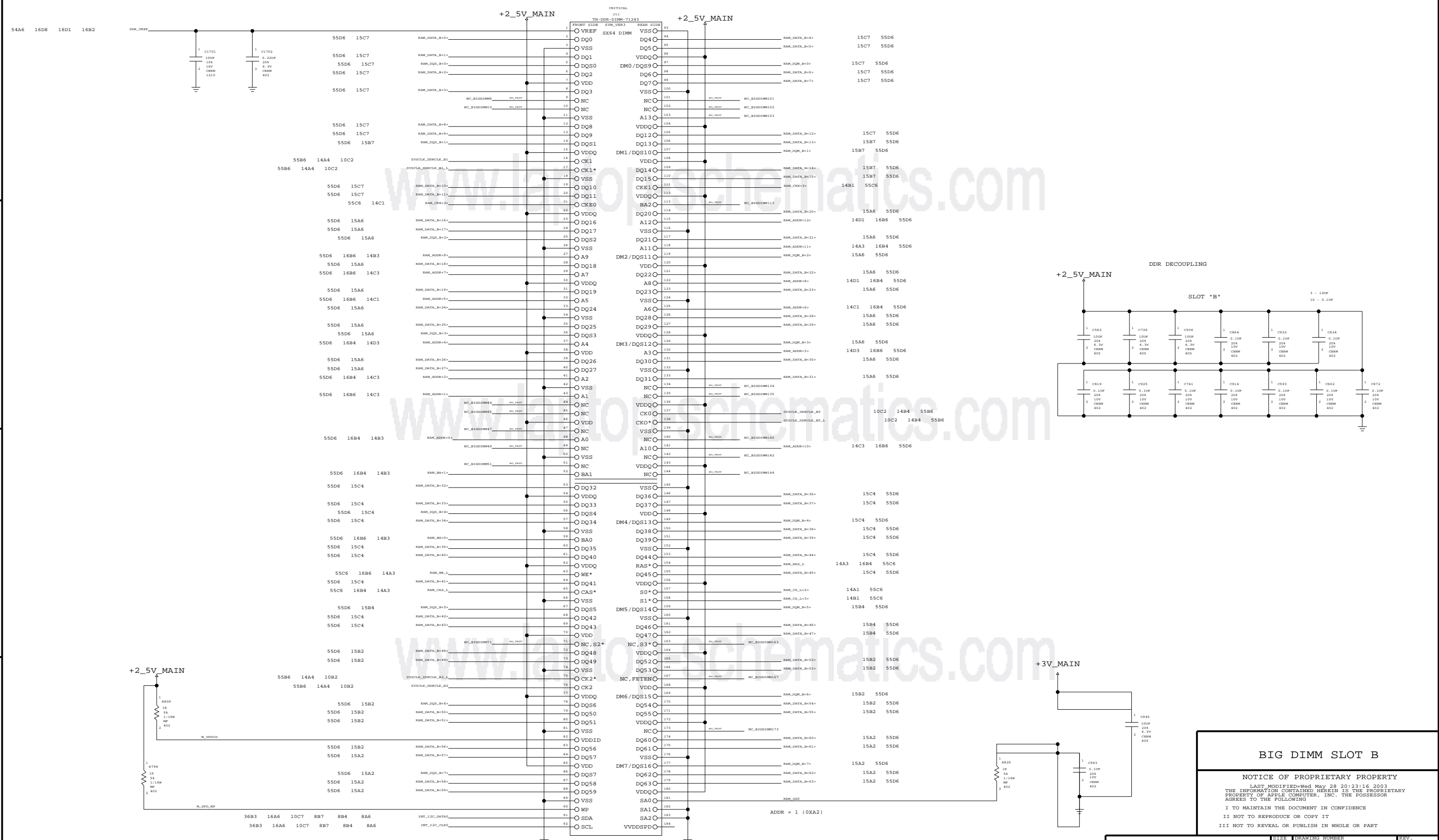


SO-DIMM SLOT A

NOTICE OF PROPRIETARY PROPERTY
 LAST MODIFIED: Wed May 28 20:23:15 2003
 THE INFORMATION CONTAINED HEREIN IS THE PROPRIETARY PROPERTY OF APPLE COMPUTER, INC. THE POSSESSOR AGREES TO THE FOLLOWING:
 I TO MAINTAIN THE DOCUMENT IN CONFIDENCE
 II NOT TO REPRODUCE OR COPY IT
 III NOT TO REVEAL OR PUBLISH IN WHOLE OR PART

APPLE COMPUTER INC.	SIZE	DRAWING NUMBER	REV.
	D	051-6490	A
SCALE	SHT	OF	
NONE	16	74	

(516S0029)



BIG DIMM SLOT B

NOTICE OF PROPRIETARY PROPERTY
 LAST MODIFIED: Wed May 28 20:23:16 2003
 THE INFORMATION CONTAINED HEREIN IS THE PROPRIETARY PROPERTY OF APPLE COMPUTER, INC. THE POSSESSOR AGREES TO THE FOLLOWING

I TO MAINTAIN THE DOCUMENT IN CONFIDENCE
 II NOT TO REPRODUCE OR COPY IT
 III NOT TO REVEAL OR PUBLISH IN WHOLE OR PART

D

C

B

A

D

C

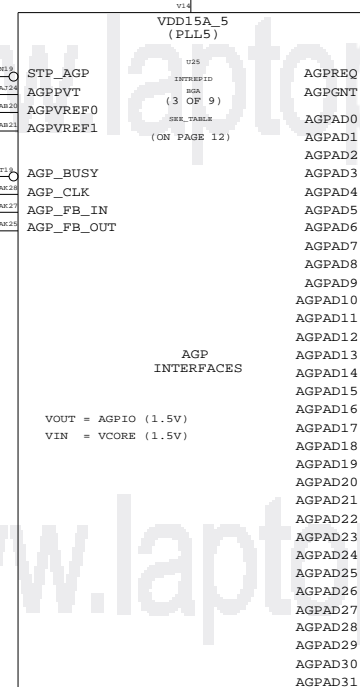
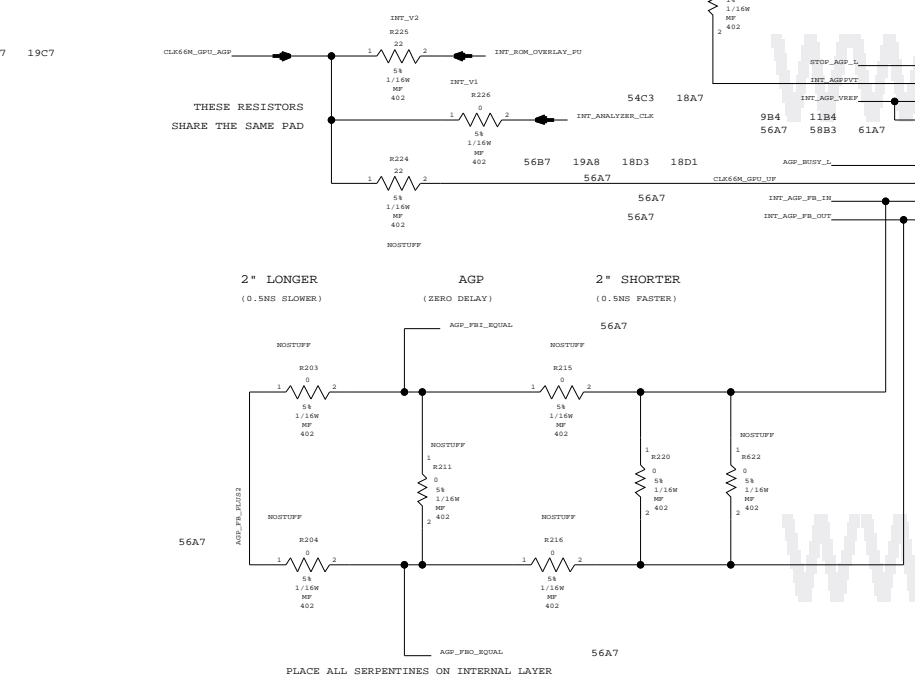
B

A

INTREPID AGP CLK IS 1.5V OUT
 NEED 3.3V SWING FOR VIDEO CHIPS
 VERSION 1 WORKAROUND IS LA CLOCK
 VERSION 2 WORKAROUND IS UNUSED PIN

54D3 32D5 30D6 11D3

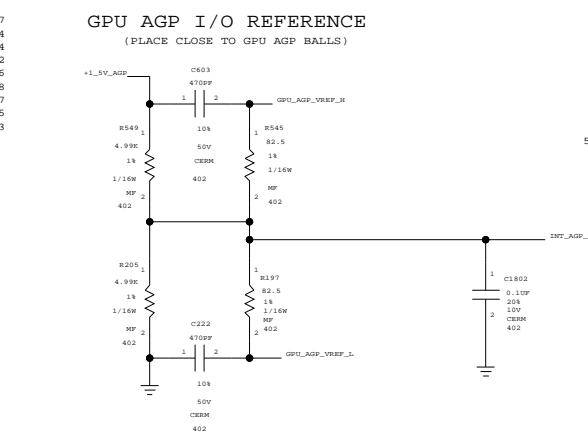
61C7 54C3 48B4
 18A8 13C8 12D6
 19D5 19A4 18C2



AGP INTERFACES

VOUT = AGPIO (1.5V)
VIN = VCORE (1.5V)

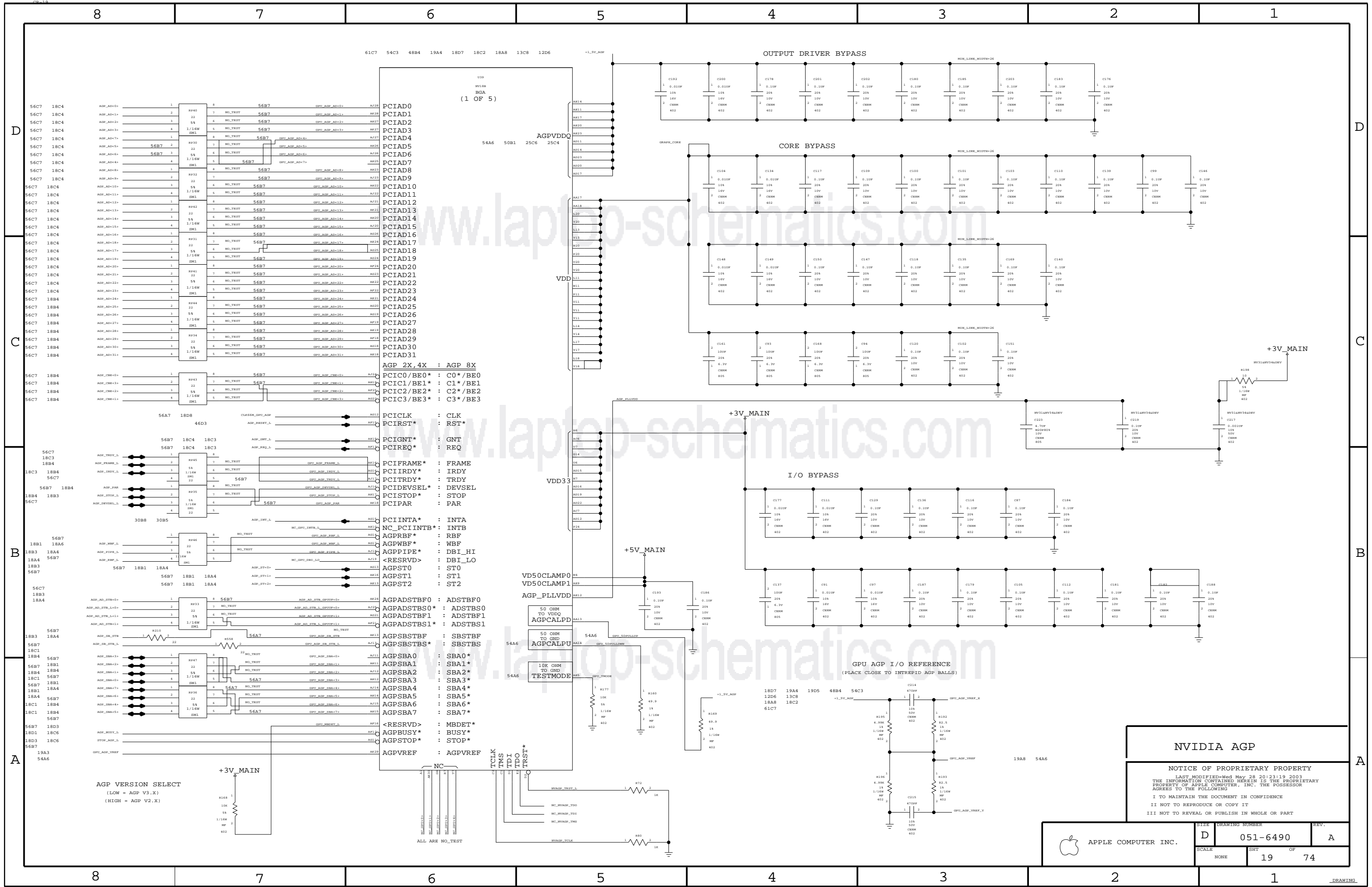
AGPREQ	AT33	AGP_AD0<0>	18C3	19B7	56B7
AGPGNT	AM29	AGP_AD1<1>	18C3	19B7	56B7
AGPAD0	AM19	AGP_AD0<0>	19D8	56C7	
AGPAD1	AM19	AGP_AD1<1>	19D8	56C7	
AGPAD2	AT20	AGP_AD2<2>	19D8	56C7	
AGPAD3	AM20	AGP_AD3<3>	19D8	56C7	61C7 54C3 48B4 19D5 19A4 18D7 18A8 13C8 12D6
AGPAD4	AT21	AGP_AD4<4>	19D8	56C7	
AGPAD5	AM20	AGP_AD5<5>	19D8	56C7	
AGPAD6	AM21	AGP_AD6<6>	19D8	56C7	
AGPAD7	AM21	AGP_AD7<7>	19D8	56C7	
AGPAD8	AT22	AGP_AD8<8>	19D8	56C7	
AGPAD9	AM22	AGP_AD9<9>	19D8	56C7	
AGPAD10	AM22	AGP_AD10<10>	19D8	56C7	
AGPAD11	AM22	AGP_AD11<11>	19D8	56C7	
AGPAD12	AM22	AGP_AD12<12>	19D8	56C7	
AGPAD13	AM23	AGP_AD13<13>	19D8	56C7	
AGPAD14	AM23	AGP_AD14<14>	19C8	56C7	56C7 19B8 18B4
AGPAD15	AT24	AGP_AD15<15>	19C8	56C7	
AGPAD16	AM23	AGP_AD16<16>	19C8	56C7	
AGPAD17	AM24	AGP_AD17<17>	19C8	56C7	56C7 19B8 18B4
AGPAD18	AT25	AGP_AD18<18>	19C8	56C7	
AGPAD19	AM25	AGP_AD19<19>	19C8	56C7	
AGPAD20	AM24	AGP_AD20<20>	19C8	56C7	
AGPAD21	AM25	AGP_AD21<21>	19C8	56C7	
AGPAD22	AL24	AGP_AD22<22>	19C8	56C7	56C7 19B8 18B4
AGPAD23	AM26	AGP_AD23<23>	19C8	56C7	
AGPAD24	AT26	AGP_AD24<24>	19C8	56C7	56C7 19B8 18B4
AGPAD25	AM25	AGP_AD25<25>	19C8	56C7	
AGPAD26	AM26	AGP_AD26<26>	19C8	56C7	
AGPAD27	AM26	AGP_AD27<27>	19C8	56C7	56C7 19B8 18B4
AGPAD28	AM27	AGP_AD28<28>	19C8	56C7	
AGPAD29	AT27	AGP_AD29<29>	19C8	56C7	
AGPAD30	AM28	AGP_AD30<30>	19C8	56C7	
AGPAD31	AM27	AGP_AD31<31>	19C8	56C7	56B7 19B8 18A4
AGPCBE_0	AM20	AGP_CBE<0>	19C8	56C7	
AGPCBE_1	AT23	AGP_CBE<1>	19C8	56C7	
AGPCBE_2	AM24	AGP_CBE<2>	19C8	56C7	
AGPCBE_3	AL25	AGP_CBE<3>	19C8	56C7	
AGPPAR	AT29	AGP_PAR	19B8	56B7	56B7 19B8 18A4
AGPFRAME	AM28	AGP_FRAME_L	18C3	19B8	56C7
AGPTRDY	AM29	AGP_TRDY_L	18B3	19B8	56C7
AGPIRDY	AT28	AGP_IRDY_L	18C3	19B8	56C7 56C7 19B8 18A4
AGPSTOP	AM28	AGP_STOP_L	18B3	19B8	56C7
AGPDEVSEL	AM27	AGP_DEVSEL_L	18C3	19B8	56C7
AGP_SBA0	AT32	AGP_SBA<0>	18C1	19A8	56B7 56C7 19B8 18A4
AGP_SBA1	AM32	AGP_SBA<1>	18C1	19A8	56B7
AGP_SBA2	AM31	AGP_SBA<2>	18B1	19A8	56B7
AGP_SBA3	AM31	AGP_SBA<3>	18C1	19A8	56B7
AGP_SBA4	AM31	AGP_SBA<4>	18C1	19A8	56B7 56B7 19A8 18A4
AGP_SBA5	AT31	AGP_SBA<5>	18C1	19A8	56B7
AGP_SBA6	AM30	AGP_SBA<6>	18B1	19A8	56B7
AGP_SBA7	AM30	AGP_SBA<7>	18B1	19A8	56B7
AGP_SB_STB_P	AM25	AGP_SB_STB	18B3	19A8	56B7
AGP_SB_STB_N	AM25	AGP_SB_STB_L	18D1	19A8	56B7
AGP_ST0	AM28	AGP_ST<0>	18B1	19B7	56B7
AGP_ST1	AT30	AGP_ST<1>	18B1	19B7	56B7
AGP_ST2	AM30	AGP_ST<2>	18B1	19B7	56B7
AGP_AD_STB0_P	AM20	AGP_AD_STB<0>	18B3	19B8	56C7
AGP_AD_STB0_N	AM19	AGP_AD_STB<0>_L<0>	18D1	19B8	56C7
AGP_AD_STB1_P	AM31	AGP_AD_STB<1>	18B3	19B8	56C7
AGP_AD_STB1_N	AM32	AGP_AD_STB<1>_L<1>	18D1	19B8	56C7
AGPPPIPE	AT29	AGP_PPIPE_L	18B3	19B8	56B7
AGPRBP	AM24	AGP_RBP_L	18B3	19B8	56B7



INTREPID AGP

NOTICE OF PROPRIETARY PROPERTY
 LAST MODIFIED: Wed May 28 20:23:17 2003
 THE INFORMATION CONTAINED HEREIN IS THE PROPRIETARY PROPERTY OF APPLE COMPUTER, INC. THE POSSESSOR AGREES TO THE FOLLOWING:
 I TO MAINTAIN THE DOCUMENT IN CONFIDENCE
 II NOT TO REPRODUCE OR COPY IT
 III NOT TO REVEAL OR PUBLISH IN WHOLE OR PART

	APPLE COMPUTER INC.	
	DRAWING NUMBER D	REV. A
SCALE NONE	SHEET 18	OF 74



61C7 54C3 48B4 19A4 18D7 18C2 18A8 13C8 12D6

(1 OF 5)

56C7 18C4	AGP_AD0*	1	RP40	8	NO_TEST	56B7	GPU_AGP_AD0*	A228	PCIAD0
56C7 18C4	AGP_AD1*	2	22	7	NO_TEST	56B7	GPU_AGP_AD1*	A228	PCIAD1
56C7 18C4	AGP_AD2*	3	5A	6	NO_TEST	56B7	GPU_AGP_AD2*	A227	PCIAD2
56C7 18C4	AGP_AD3*	4	1/16W	5	NO_TEST	56B7	GPU_AGP_AD3*	A227	PCIAD3
56C7 18C4	AGP_AD4*	1	SM1	8	NO_TEST	56B7	GPU_AGP_AD4*	A227	PCIAD4
56C7 18C4	AGP_AD5*	2	RP30	7	NO_TEST	56B7	GPU_AGP_AD5*	A226	PCIAD5
56C7 18C4	AGP_AD6*	3	22	6	NO_TEST	56B7	GPU_AGP_AD6*	A226	PCIAD6
56C7 18C4	AGP_AD7*	4	1/16W	5	NO_TEST	56B7	GPU_AGP_AD7*	A225	PCIAD7
56C7 18C4	AGP_AD8*	1	SM1	8	NO_TEST	56B7	GPU_AGP_AD8*	A225	PCIAD8
56C7 18C4	AGP_AD9*	2	RP32	7	NO_TEST	56B7	GPU_AGP_AD9*	A223	PCIAD9
56C7 18C4	AGP_AD10*	3	5A	6	NO_TEST	56B7	GPU_AGP_AD10*	A222	PCIAD10
56C7 18C4	AGP_AD11*	4	1/16W	5	NO_TEST	56B7	GPU_AGP_AD11*	A222	PCIAD11
56C7 18C4	AGP_AD12*	1	SM1	8	NO_TEST	56B7	GPU_AGP_AD12*	A221	PCIAD12
56C7 18C4	AGP_AD13*	2	RP42	7	NO_TEST	56B7	GPU_AGP_AD13*	A221	PCIAD13
56C7 18C4	AGP_AD14*	3	5A	6	NO_TEST	56B7	GPU_AGP_AD14*	A220	PCIAD14
56C7 18C4	AGP_AD15*	4	1/16W	5	NO_TEST	56B7	GPU_AGP_AD15*	A220	PCIAD15
56C7 18C4	AGP_AD16*	1	SM1	8	NO_TEST	56B7	GPU_AGP_AD16*	A219	PCIAD16
56C7 18C4	AGP_AD17*	2	RP31	7	NO_TEST	56B7	GPU_AGP_AD17*	A219	PCIAD17
56C7 18C4	AGP_AD18*	3	22	6	NO_TEST	56B7	GPU_AGP_AD18*	A218	PCIAD18
56C7 18C4	AGP_AD19*	4	1/16W	5	NO_TEST	56B7	GPU_AGP_AD19*	A218	PCIAD19
56C7 18C4	AGP_AD20*	1	SM1	8	NO_TEST	56B7	GPU_AGP_AD20*	A217	PCIAD20
56C7 18C4	AGP_AD21*	2	RP41	7	NO_TEST	56B7	GPU_AGP_AD21*	A217	PCIAD21
56C7 18C4	AGP_AD22*	3	5A	6	NO_TEST	56B7	GPU_AGP_AD22*	A216	PCIAD22
56C7 18C4	AGP_AD23*	4	1/16W	5	NO_TEST	56B7	GPU_AGP_AD23*	A216	PCIAD23
56C7 18B4	AGP_AD24*	1	SM1	8	NO_TEST	56B7	GPU_AGP_AD24*	A215	PCIAD24
56C7 18B4	AGP_AD25*	2	RP44	7	NO_TEST	56B7	GPU_AGP_AD25*	A215	PCIAD25
56C7 18B4	AGP_AD26*	3	5A	6	NO_TEST	56B7	GPU_AGP_AD26*	A214	PCIAD26
56C7 18B4	AGP_AD27*	4	1/16W	5	NO_TEST	56B7	GPU_AGP_AD27*	A214	PCIAD27
56C7 18B4	AGP_AD28*	1	SM1	8	NO_TEST	56B7	GPU_AGP_AD28*	A213	PCIAD28
56C7 18B4	AGP_AD29*	2	RP34	7	NO_TEST	56B7	GPU_AGP_AD29*	A213	PCIAD29
56C7 18B4	AGP_AD30*	3	22	6	NO_TEST	56B7	GPU_AGP_AD30*	A212	PCIAD30
56C7 18B4	AGP_AD31*	4	1/16W	5	NO_TEST	56B7	GPU_AGP_AD31*	A212	PCIAD31

AGP 2X, 4X : AGP 8X
 PCIC0/BE0* : C0*/BE0
 PCIC1/BE1* : C1*/BE1
 PCIC2/BE2* : C2*/BE2
 PCIC3/BE3* : C3*/BE3

PCICLK : CLK
 PCIRST* : RST*
 PCIGNT* : GNT
 PCIRREQ* : REQ
 PCIFRAME* : FRAME
 PCIIRDY* : IRDY
 PCITRDY* : TRDY
 PCIDEVSEL* : DEVSEL
 PCISTOP* : STOP
 PCIPAR : PAR

PCINTA* : INTA
 NC_PCINTB* : INTB
 AGPRBF* : RBF
 AGPWF* : WBF
 AGPPPE* : DBI_HI
 <RESRVD> : DBI_LO
 AGPST0 : ST0
 AGPST1 : ST1
 AGPST2 : ST2

AGPADSTBF0 : ADSTBF0
 AGPADSTBS0* : ADSTBS0
 AGPADSTBF1 : ADSTBF1
 AGPADSTBS1* : ADSTBS1

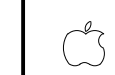
AGPSBSTBF : SBSTBF
 AGPSBSTBS* : SBSTBS
 AGPSBA0 : SBA0*
 AGPSBA1 : SBA1*
 AGPSBA2 : SBA2*
 AGPSBA3 : SBA3*
 AGPSBA4 : SBA4*
 AGPSBA5 : SBA5*
 AGPSBA6 : SBA6*
 AGPSBA7 : SBA7*

<RESRVD> : MBDET*
 AGPBUSY* : BUSY*
 AGPSTOP* : STOP*
 AGPVREF : AGPVREF

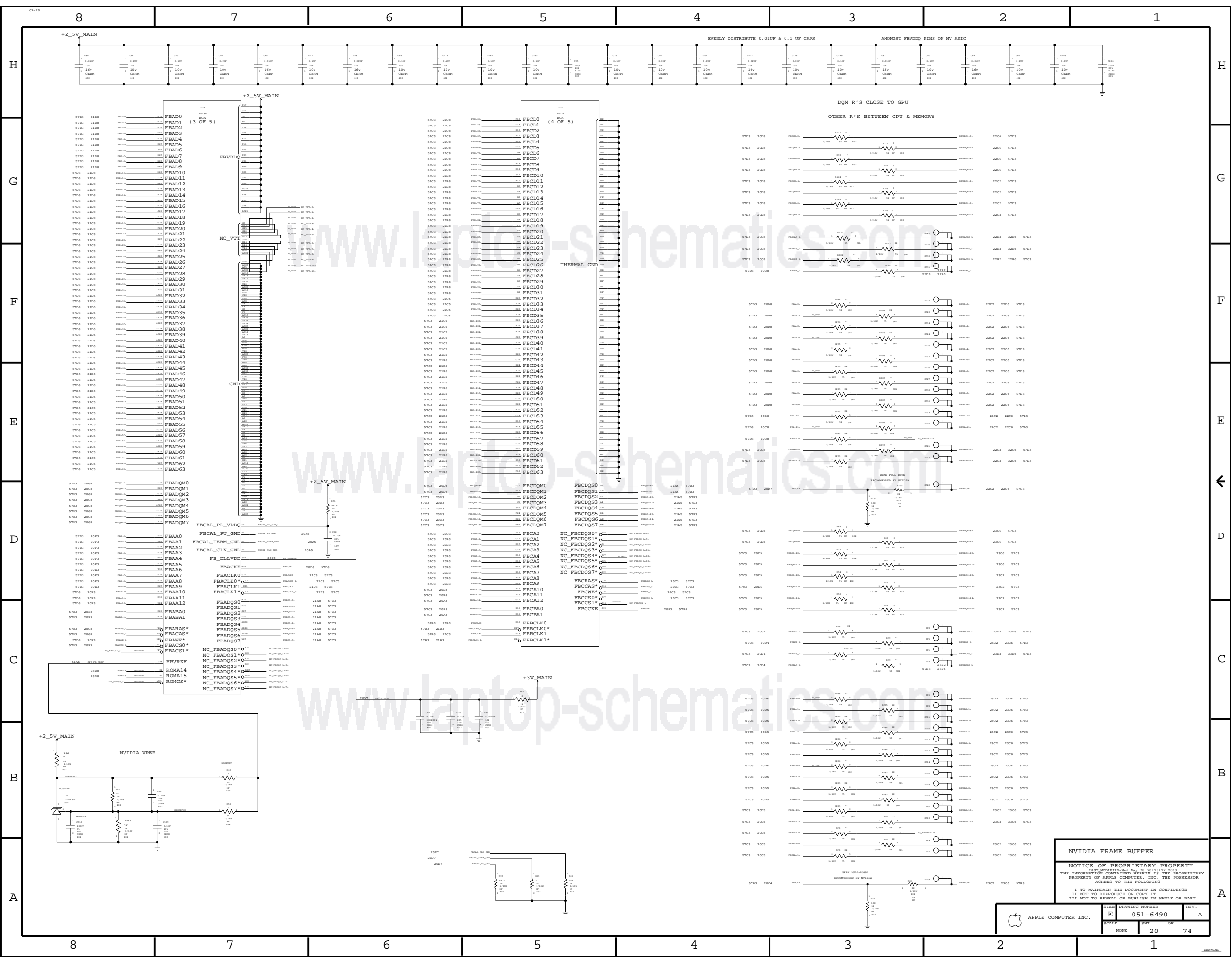
AGP VERSION SELECT
 (LOW = AGP V3.X)
 (HIGH = AGP V2.X)

NVIDIA AGP
 NOTICE OF PROPRIETARY PROPERTY
 LAST MODIFIED: Wed May 28 20:23:19 2003
 THE INFORMATION CONTAINED HEREIN IS THE PROPRIETARY
 PROPERTY OF APPLE COMPUTER, INC. THE POSSESSOR
 AGREES TO THE FOLLOWING
 I TO MAINTAIN THE DOCUMENT IN CONFIDENCE
 II NOT TO REPRODUCE OR COPY IT
 III NOT TO REVEAL OR PUBLISH IN WHOLE OR PART

SCALE	DRAWING NUMBER	REV.
NONE	051-6490	A
SCALE	SHT	OF
19	74	



APPLE COMPUTER INC.



NVIDIA FRAME BUFFER

NOTICE OF PROPRIETARY PROPERTY
 THIS DOCUMENT IS UNCLASSIFIED AND IS NOT TO BE REPRODUCED OR COPIED IN ANY MANNER WITHOUT THE EXPRESS WRITTEN PERMISSION OF APPLE COMPUTER, INC. THE INFORMATION CONTAINED HEREIN IS THE PROPRIETARY PROPERTY OF APPLE COMPUTER, INC. THE POSSESSOR AGREES TO THE FOLLOWING:

I TO MAINTAIN THIS DOCUMENT IN CONFIDENCE
 I NOT TO REPRODUCE OR COPY IT
 I NOT TO REVEAL OR PUBLISH IN WHOLE OR PART

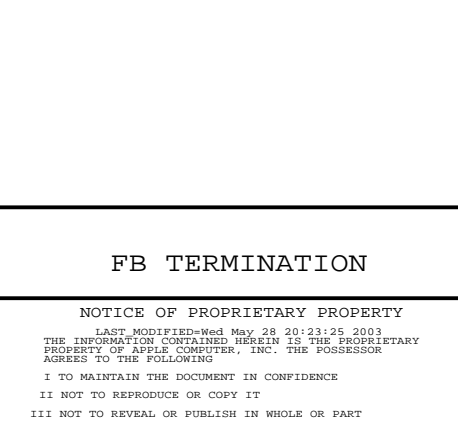
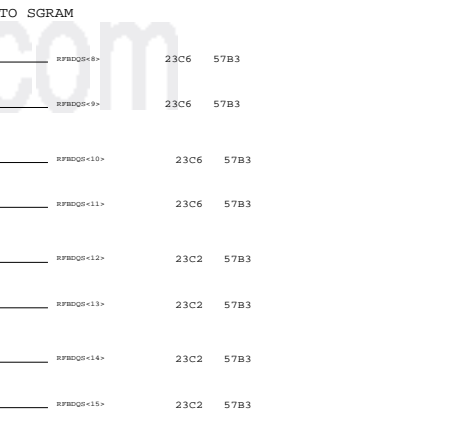
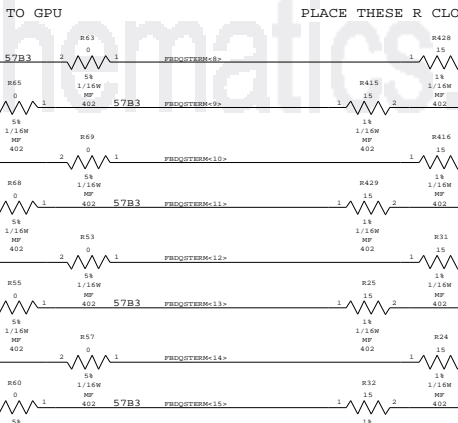
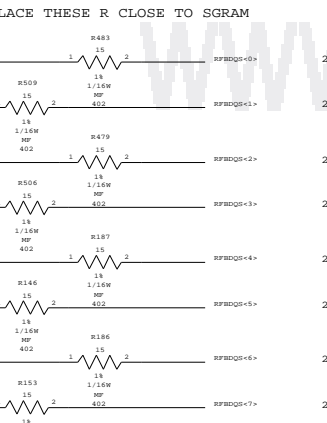
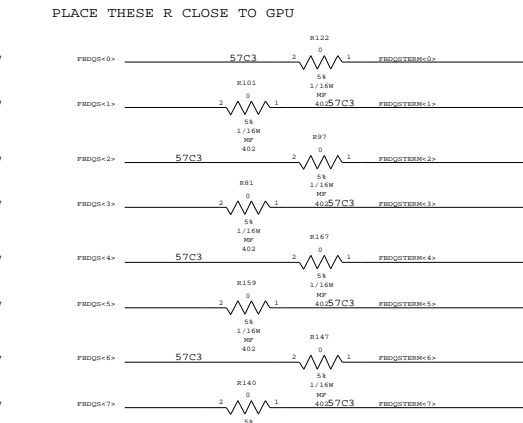
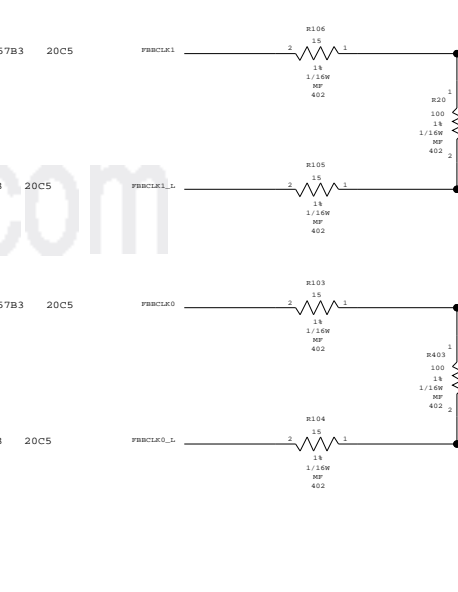
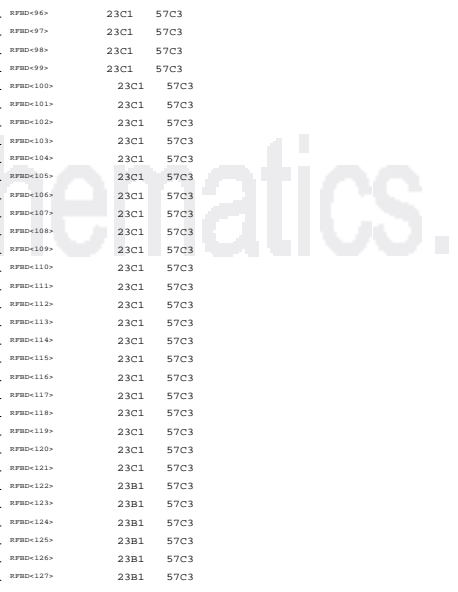
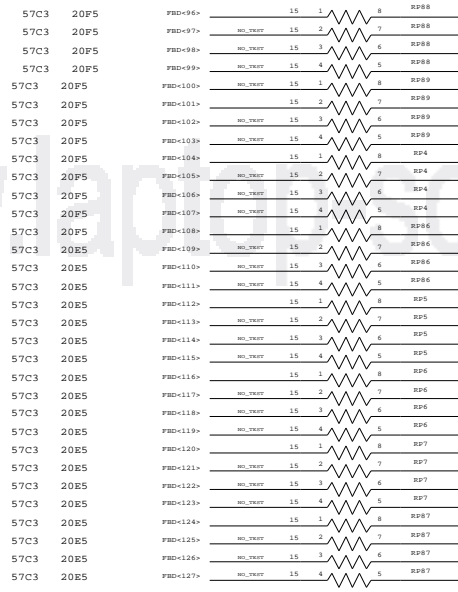
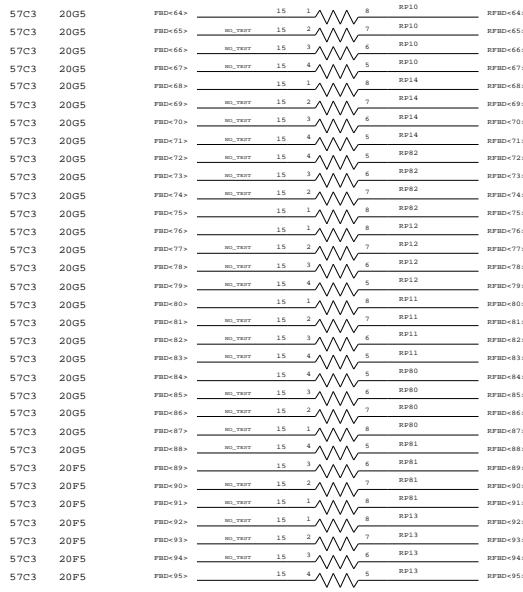
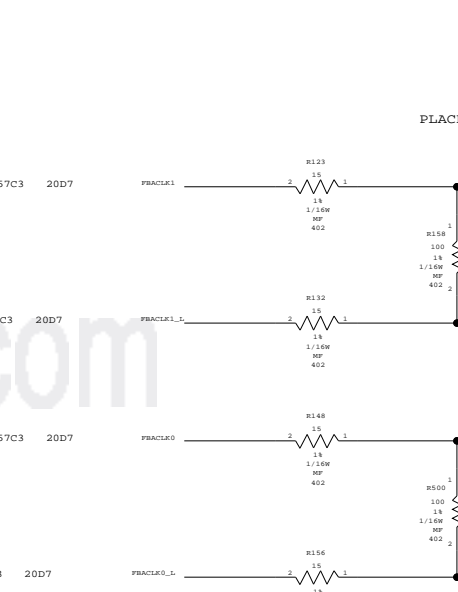
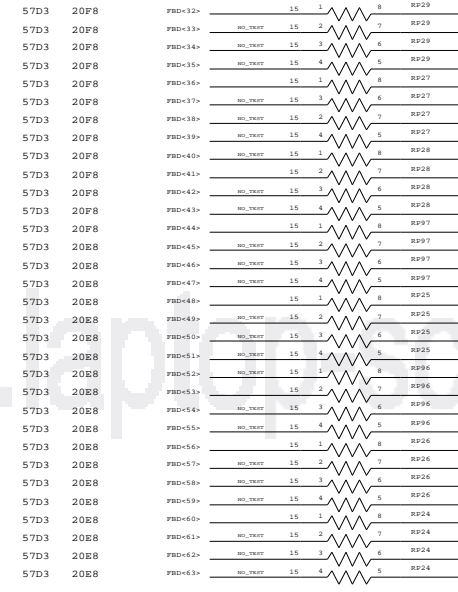
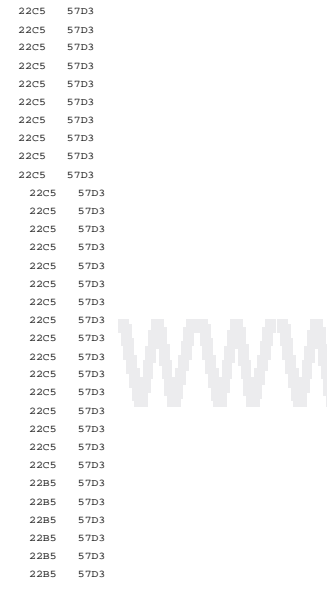
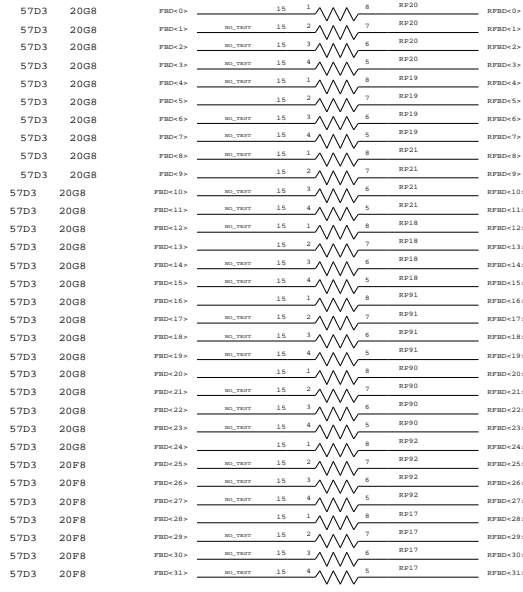
PLACE R'S BETWEEN GPU & MEMORY

PLACE R'S CLOSE TO GPU

www.apple.com

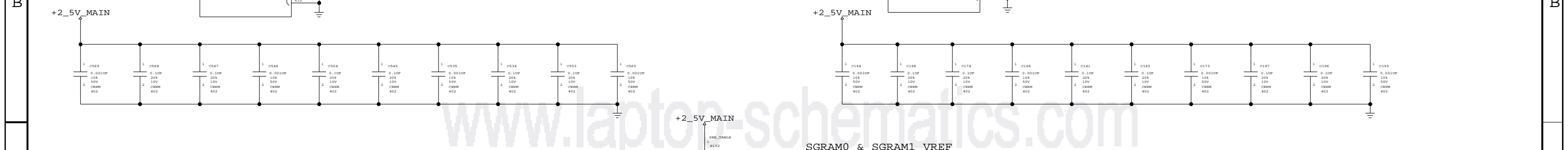
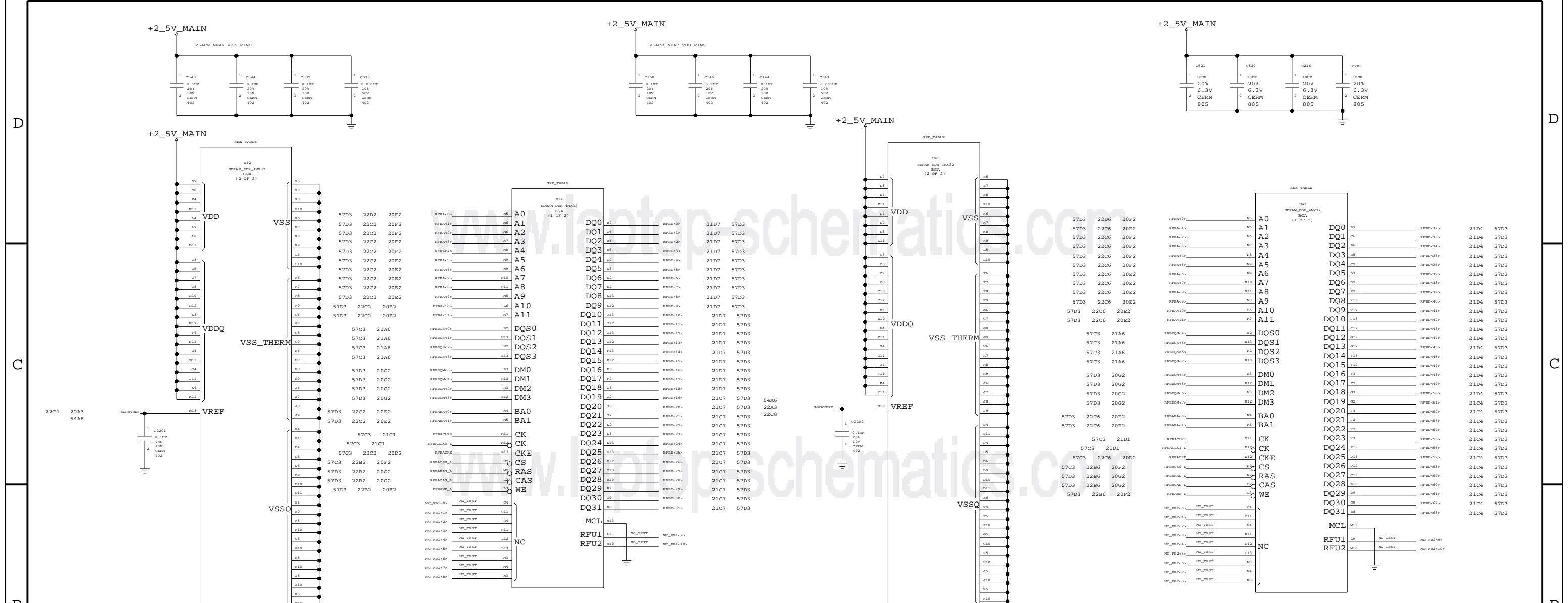
www.apple.com

www.laptop-schematics.com



F'B TERMINATION
NOTICE OF PROPRIETARY PROPERTY
LAST MODIFIED: Wed May 28 20:23:25 2003
THE INFORMATION CONTAINED HEREIN IS THE PROPRIETARY PROPERTY OF APPLE COMPUTER, INC. THE POSSESSOR AGREES TO THE FOLLOWING:
I TO MAINTAIN THE DOCUMENT IN CONFIDENCE
II NOT TO REPRODUCE OR COPY IT
III NOT TO REVEAL OR PUBLISH IN WHOLE OR PART

Apple logo, APPLE COMPUTER INC., DRAWING NUMBER 051-6490, REV. A, SCALE NONE, SHEET 21 OF 74

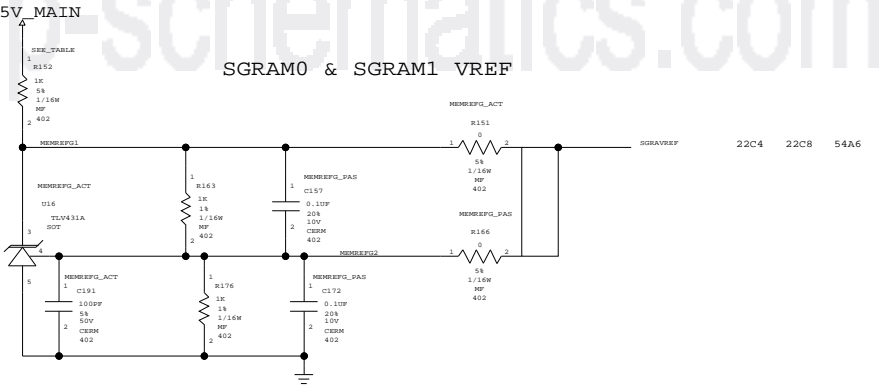


SGRAM0 & SGRAM1 MEMORY SUPPORT

PART NUMBER	QTY	DESCRIPTION	REFERENCE DES	CRITICAL	BOM OPTION
333S0249	2	SDRAM, 4MX32, DDR, 275MHZ	U12, U41	CRITICAL	275_SAMSUNG
333S0250	2	SDRAM, 4MX32, DDR, 275MHZ	U12, U41	CRITICAL	275_HYNIX

SGRAM0 & SGRAM1 DDR MEMORY REFERENCE SUPPORT

PART NUMBER	QTY	DESCRIPTION	REFERENCE DES	CRITICAL	BOM OPTION
116S1103	1	RES, 1K-OHM, 5%, 1/16W, 0402	R152		MEMREFQ_ACT
116S1000	1	RES, 0-OHM, 5%, 1/16W, 0402	R152		MEMREFQ_PAS



SGRAM0 & SGRAM1

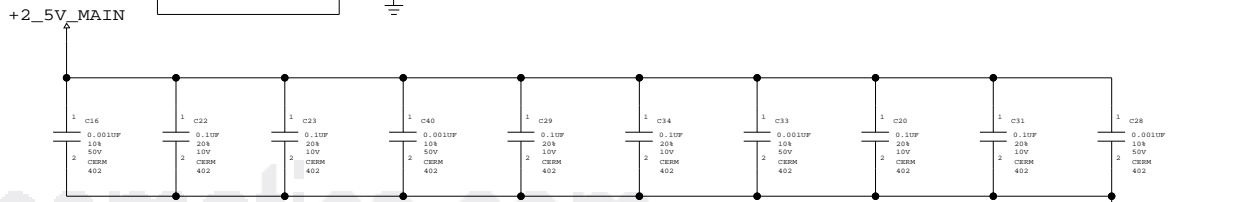
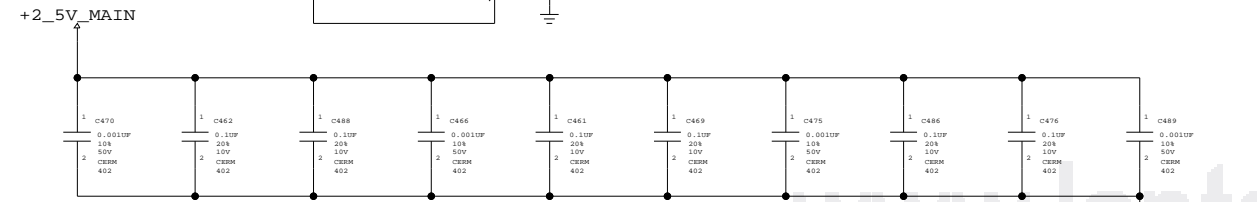
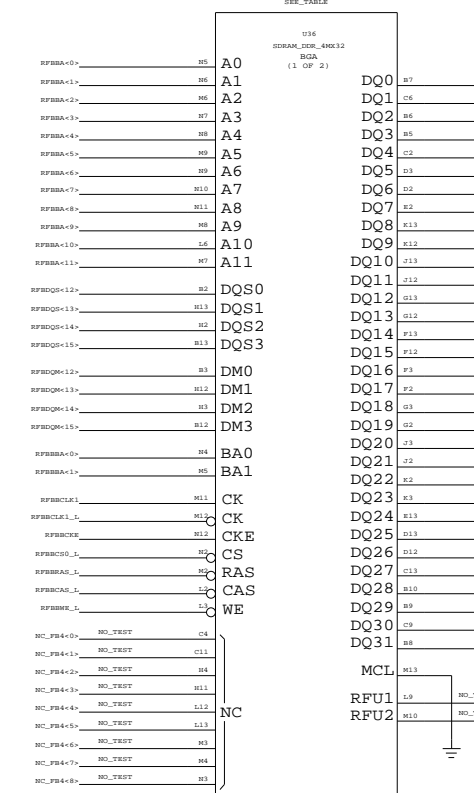
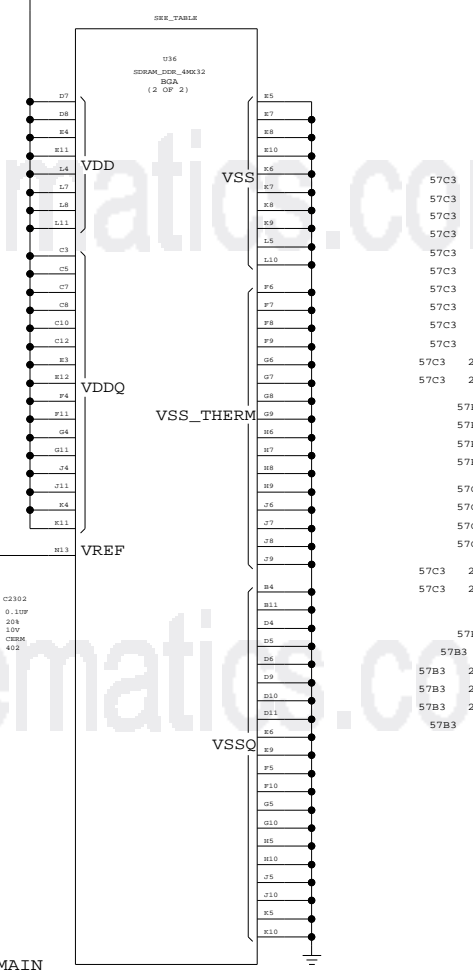
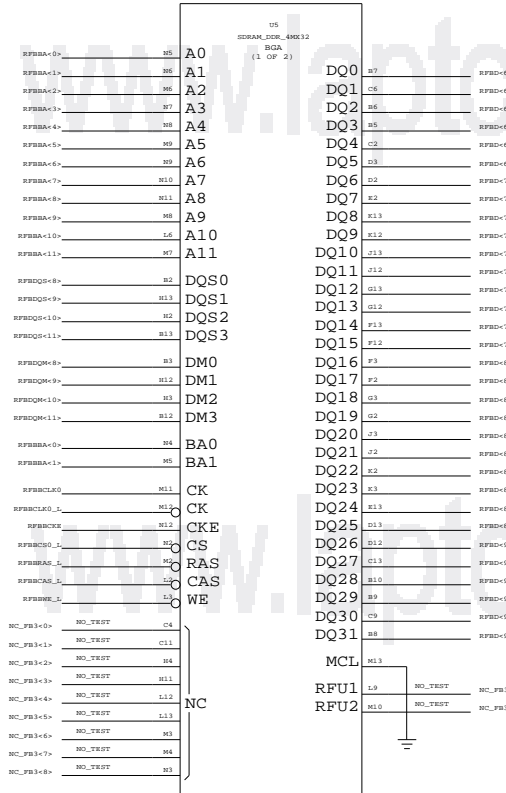
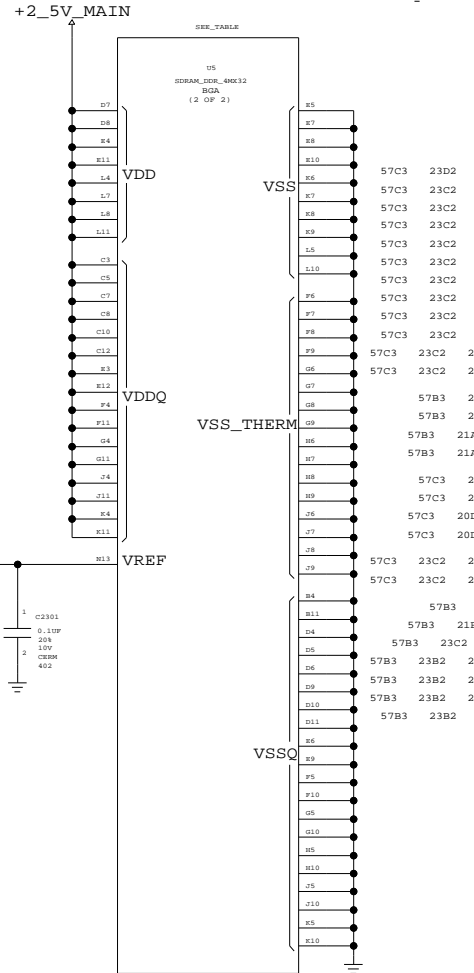
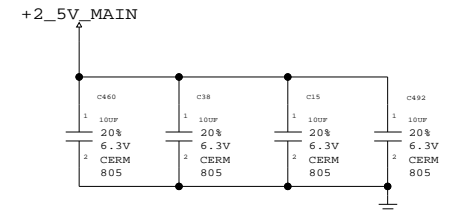
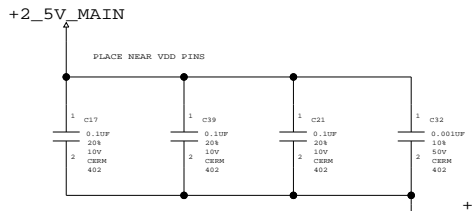
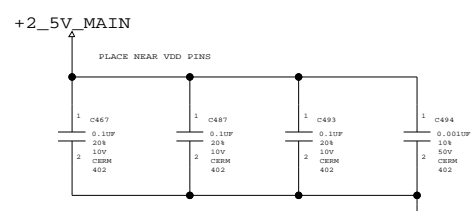
NOTICE OF PROPRIETARY PROPERTY

LAST MODIFIED: Wed May 28 20:23:27 2003
 THE INFORMATION CONTAINED HEREIN IS THE PROPRIETARY PROPERTY OF APPLE COMPUTER, INC. THE POSSESSOR AGREES TO THE FOLLOWING

I TO MAINTAIN THE DOCUMENT IN CONFIDENCE
 II NOT TO REPRODUCE OR COPY IT
 III NOT TO REVEAL OR PUBLISH IN WHOLE OR PART

APPLE COMPUTER INC.

SIZE	D	DRAWING NUMBER	051-6490	REV.	A
SCALE	NONE	SHT	22	OF	74

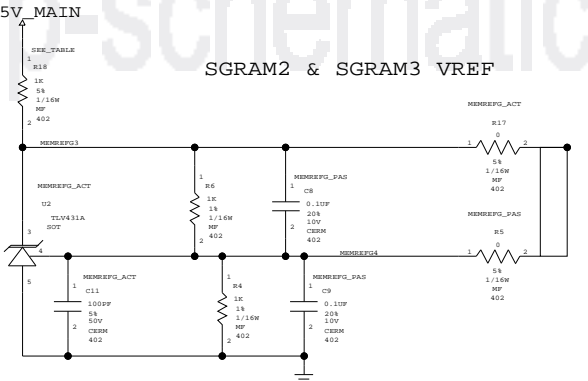


SGRAM0 & SGRAM1 MEMORY SUPPORT

PART NUMBER	QTY	DESCRIPTION	REFERENCE DES	CRITICAL	BOM OPTION
333S0249	2	SDRAM, 4MX32, DDR, 275MHZ	US, U36	CRITICAL	275_SAMSUNG
333S0250	2	SDRAM, 4MX32, DDR, 275MHZ	US, U36	CRITICAL	275_HYNIX

SGRAM2 & SGRAM3 DDR MEMORY REFERENCE SUPPORT

PART NUMBER	QTY	DESCRIPTION	REFERENCE DES	CRITICAL	BOM OPTION
116S1103	1	RES, 1K-OHM, 5%, 1/16W, 0402	R18		MEMREFG_ACT
116S1000	1	RES, 0-OHM, 5%, 1/16W, 0402	R18		MEMREFG_PAS



SGRAM2 & SGRAM3

NOTICE OF PROPRIETARY PROPERTY
 LAST MODIFIED: Wed May 28 20:23:29 2003
 THE INFORMATION CONTAINED HEREIN IS THE PROPRIETARY PROPERTY OF APPLE COMPUTER, INC. THE POSSESSOR AGREES TO THE FOLLOWING:
 I TO MAINTAIN THE DOCUMENT IN CONFIDENCE
 II NOT TO REPRODUCE OR COPY IT
 III NOT TO REVEAL OR PUBLISH IN WHOLE OR PART

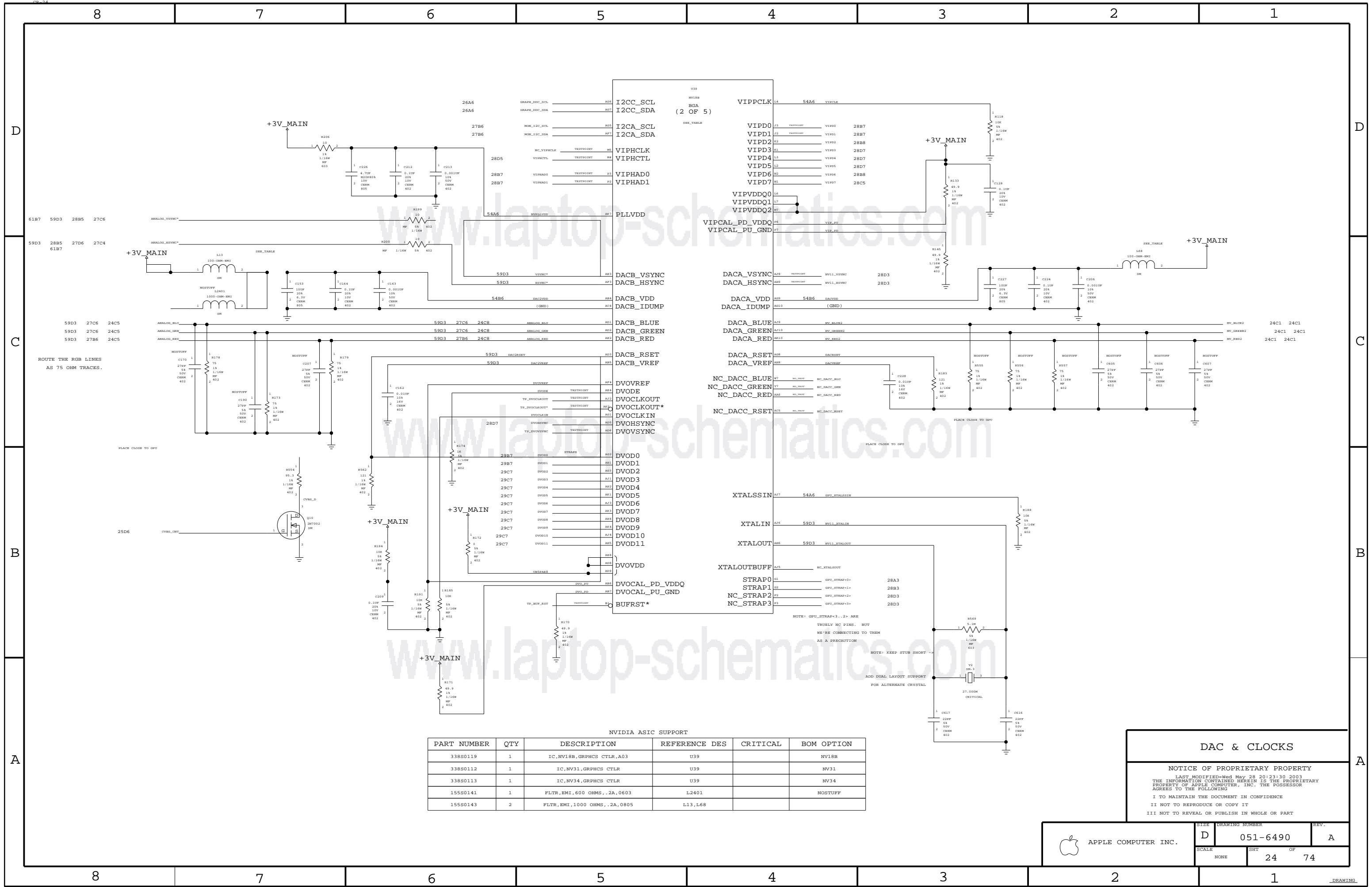
APPLE COMPUTER INC.

SCALE: NONE

SHEET: 23 OF 74

DRAWING NUMBER: 051-6490

REV: A



ROUTE THE RGB LINES AS 75 OHM TRACES.

PLACE CLOSE TO GPU

PLACE CLOSE TO GPU

NOTE: GPU_STRAP[3..2] ARE TRULY NC PINS. BUT WE'RE CONNECTING TO THEM AS A PRECAUTION

NOTE: KEEP STUB SHORT -> ADD DUAL LAYOUT SUPPORT FOR ALTERNATE CRYSTAL

NVIDIA ASIC SUPPORT

PART NUMBER	QTY	DESCRIPTION	REFERENCE DES	CRITICAL	BOM OPTION
33880119	1	IC,NV18B,GRPHCS CTR, A03	U39		NV18B
33880112	1	IC,NV31,GRPHCS CTR	U39		NV31
33880113	1	IC,NV34,GRPHCS CTR	U39		NV34
15580141	1	FLTR,EMI,600 OHMS,.2A,0603	L2401		NOSTUFF
15580143	2	FLTR,EMI,1000 OHMS,.2A,0805	L13,L68		

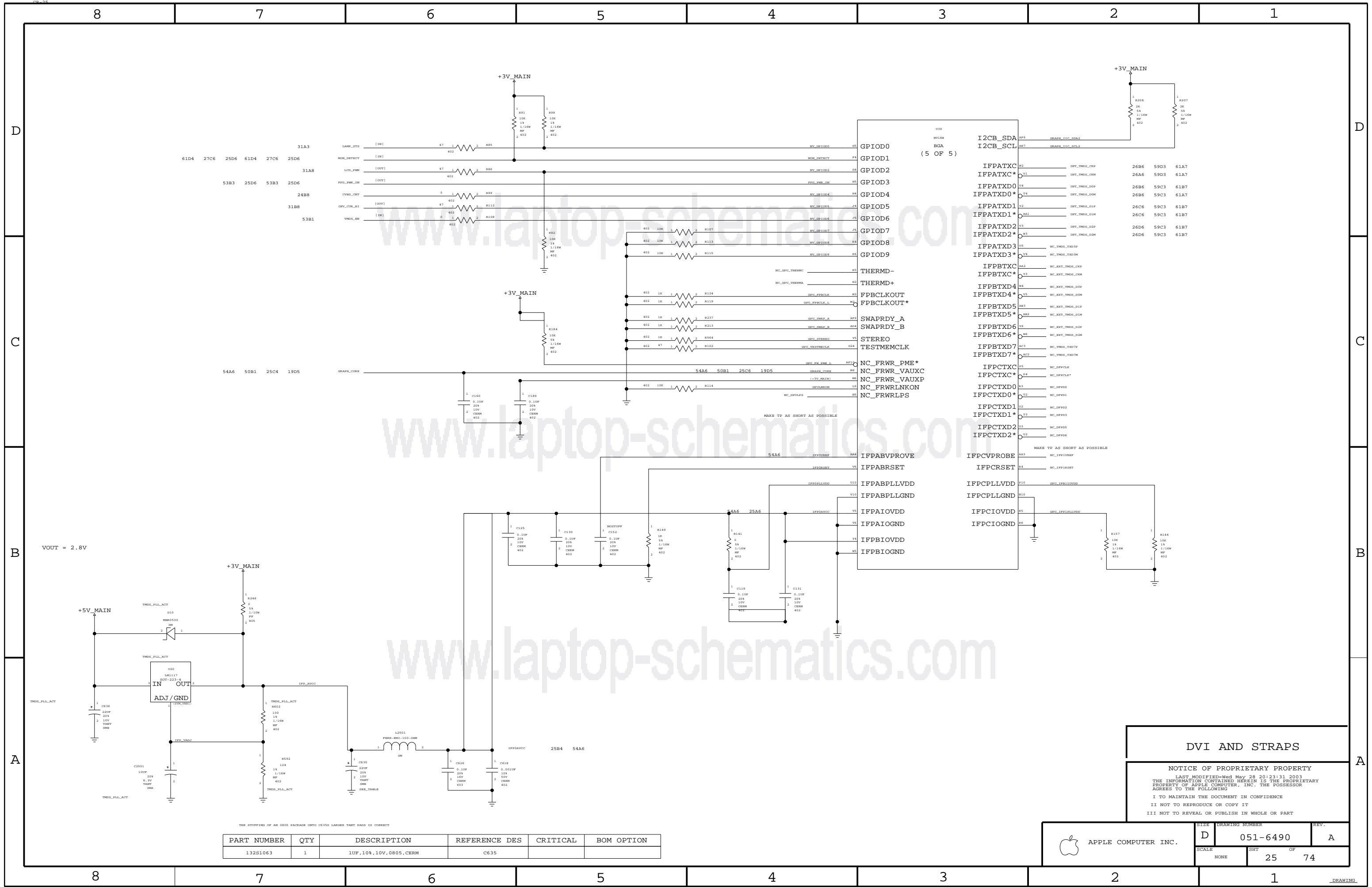
DAC & CLOCKS

NOTICE OF PROPRIETARY PROPERTY

LAST MODIFIED: Wed May 28 20:23:30 2003
 THE INFORMATION CONTAINED HEREIN IS THE PROPRIETARY PROPERTY OF APPLE COMPUTER, INC. THE POSSESSOR AGREES TO THE FOLLOWING

I TO MAINTAIN THE DOCUMENT IN CONFIDENCE
 II NOT TO REPRODUCE OR COPY IT
 III NOT TO REVEAL OR PUBLISH IN WHOLE OR PART

	APPLE COMPUTER INC.		SIZE	DRAWING NUMBER	REV.
			D	051-6490	A
SCALE		SHT		OF	
NONE		24		74	



DVI AND STRAPS

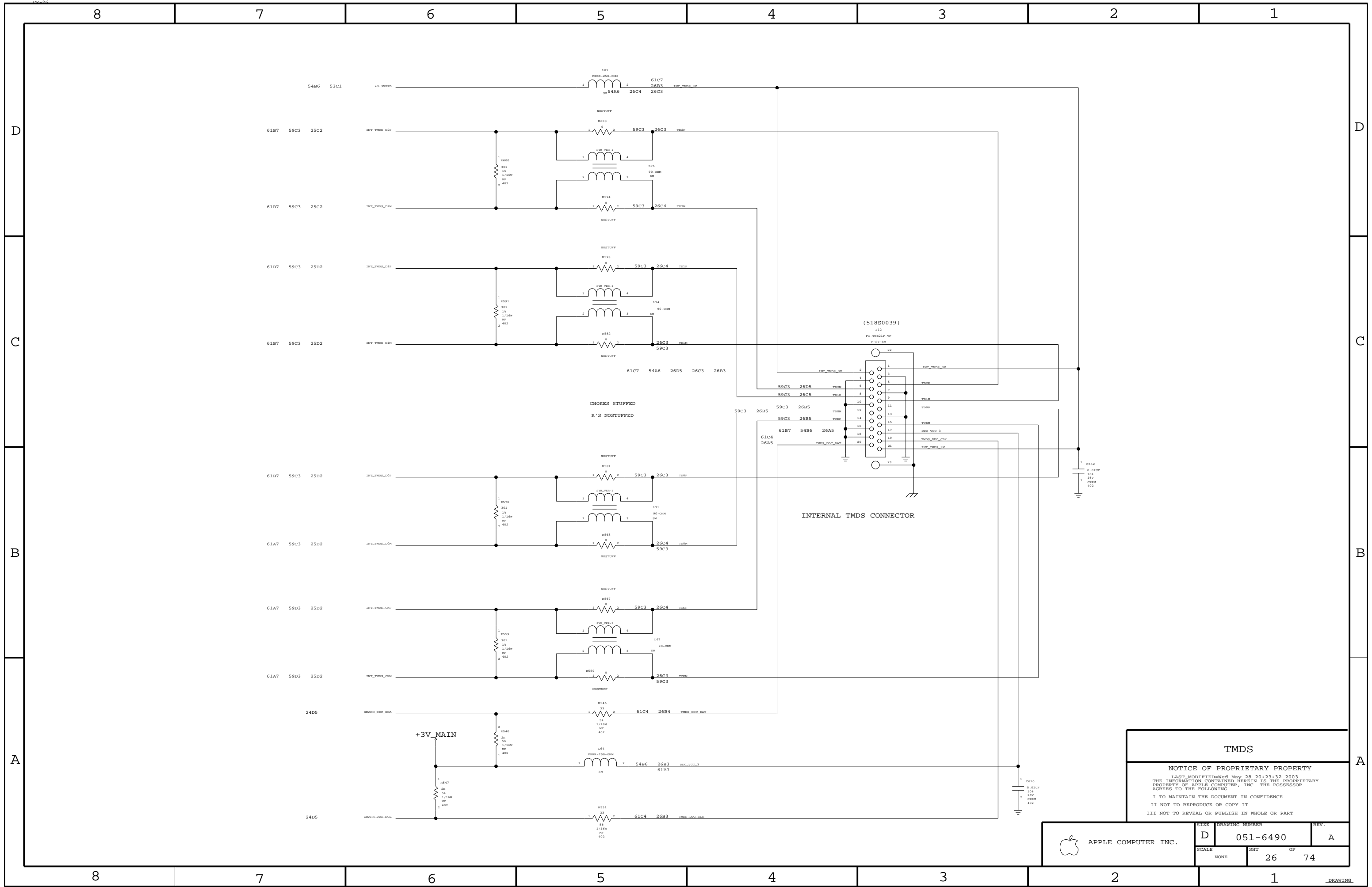
NOTICE OF PROPRIETARY PROPERTY
 LAST MODIFIED: Wed May 28 20:23:31 2003
 THE INFORMATION CONTAINED HEREIN IS THE PROPRIETARY
 PROPERTY OF APPLE COMPUTER, INC. THE POSSESSOR
 AGREES TO THE FOLLOWING
 I TO MAINTAIN THE DOCUMENT IN CONFIDENCE
 II NOT TO REPRODUCE OR COPY IT
 III NOT TO REVEAL OR PUBLISH IN WHOLE OR PART

PART NUMBER	QTY	DESCRIPTION	REFERENCE DES	CRITICAL	BOM OPTION
132S1063	1	1UF,10%,10V,0805,CERM	C635		

APPLE COMPUTER INC.

SIZE	D	DRAWING NUMBER	051-6490	REV.	A
SCALE	NONE	SHT	25	OF	74

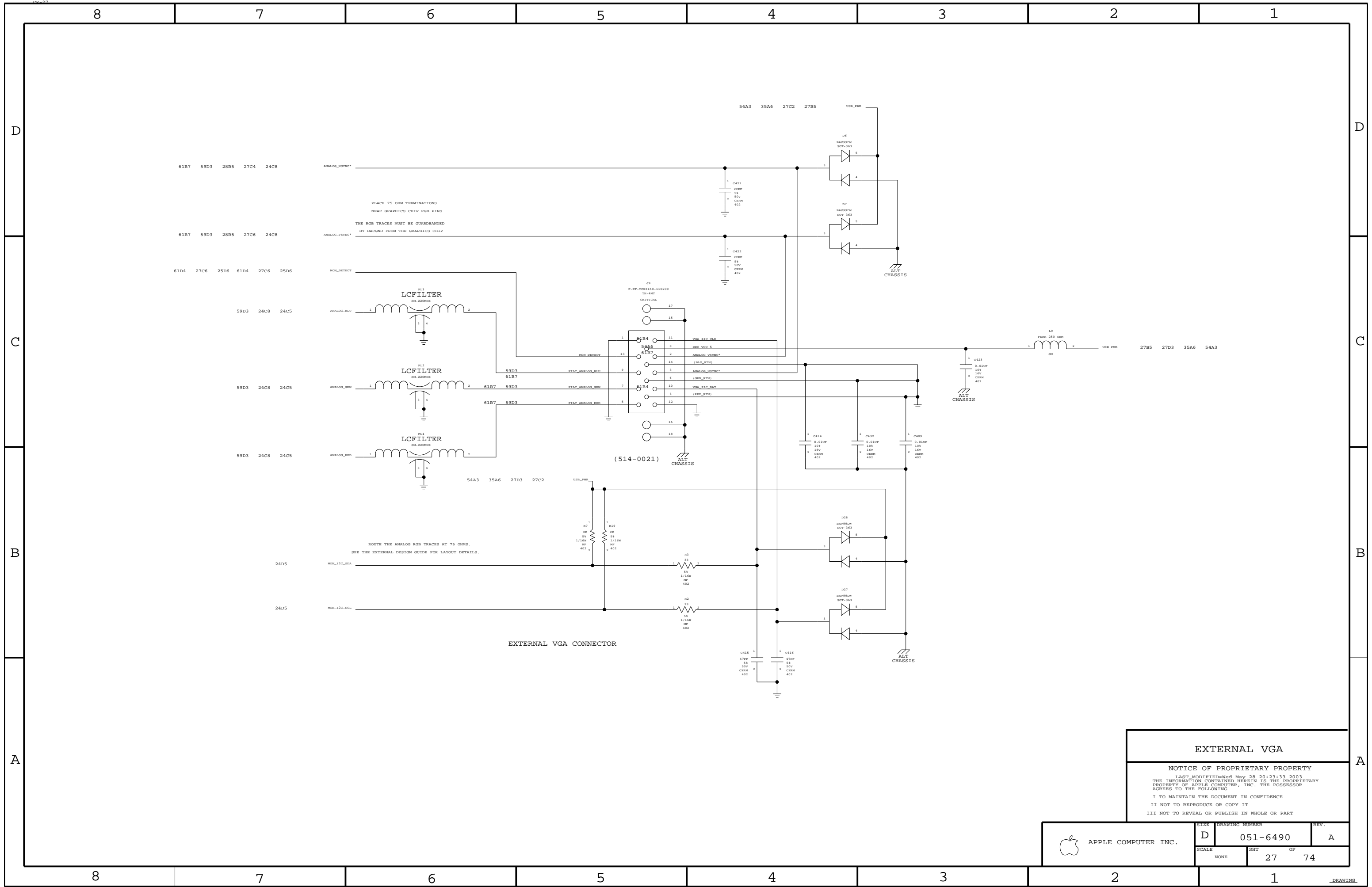
THE STUFFING OF AN 0805 PACKAGE ONTO C635 LARGER TANT SMD IS CORRECT



TMSD

NOTICE OF PROPRIETARY PROPERTY
 LAST MODIFIED=Wed May 28 20:23:22 2003
 THE INFORMATION CONTAINED HEREIN IS THE PROPRIETARY
 PROPERTY OF APPLE COMPUTER, INC. THE POSSESSOR
 AGREES TO THE FOLLOWING
 I TO MAINTAIN THE DOCUMENT IN CONFIDENCE
 II NOT TO REPRODUCE OR COPY IT
 III NOT TO REVEAL OR PUBLISH IN WHOLE OR PART

APPLE COMPUTER INC.	SIZE D	DRAWING NUMBER 051-6490	REV. A
	SCALE NONE	SHEET 26	OF 74



EXTERNAL VGA

NOTICE OF PROPRIETARY PROPERTY

LAST MODIFIED: Wed May 28 20:23:33 2003
 THE INFORMATION CONTAINED HEREIN IS THE PROPRIETARY PROPERTY OF APPLE COMPUTER, INC. THE POSSESSOR AGREES TO THE FOLLOWING

I TO MAINTAIN THE DOCUMENT IN CONFIDENCE
 II NOT TO REPRODUCE OR COPY IT
 III NOT TO REVEAL OR PUBLISH IN WHOLE OR PART

APPLE COMPUTER INC.	SIZE D	DRAWING NUMBER 051-6490	REV. A
	SCALE NONE	SHEET 27	OF 74

D

C

B

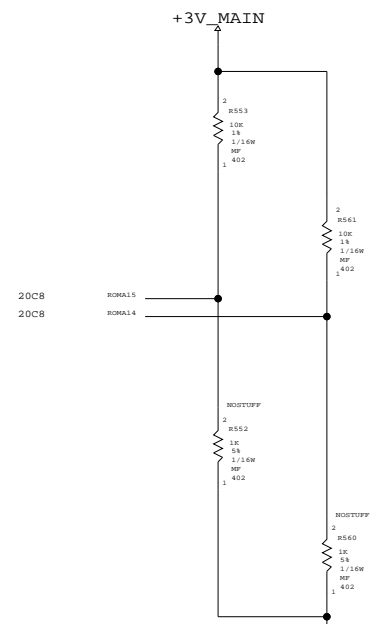
A

D

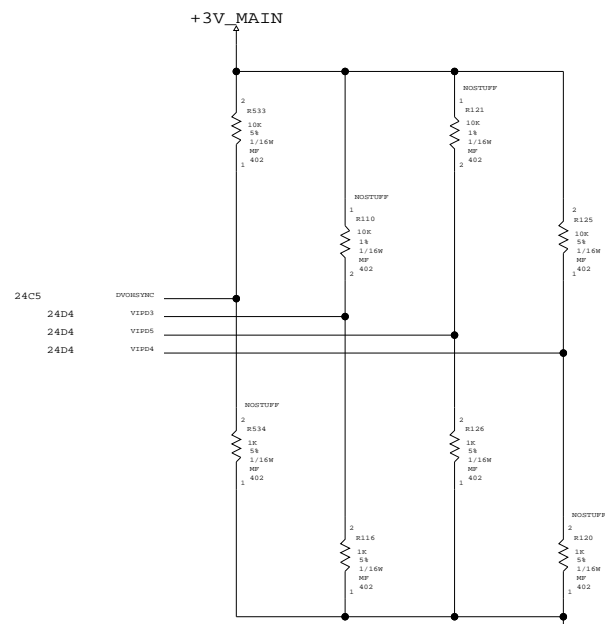
C

B

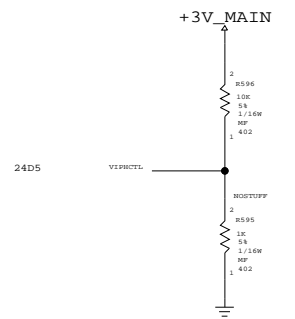
A



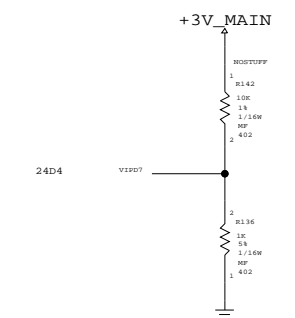
(1) ROM TYPE (OVERRIDDEN IF STRAP1 = 0)
 [1..0] = [ROMA15,ROMA14]
 00 = PARALLEL
 01 = SERIAL AT25F
 10 = SERIAL SST45VF
 * 11 = SERIAL FUTURE



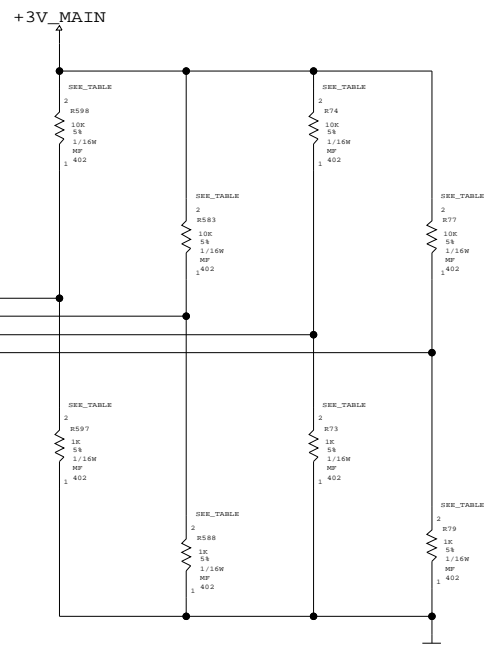
(3) PCI DEVICE ID
 [3..0] = [DVOHSYNC,VIPD3,VIPD5,VIPD4]
 0010 = 0X112 GEFORCE2 GO
 0011 = 0X113 QUADRO2 GO
 0100 = 0X114 NV17M
 0000 = 0X110 GEFORCE2GO MX (NV11B)
 * 1001 = NV18B,NV31,NV34



(5) HOST MODE
 [0] = [VIPHCTL]
 0 = PCI MODE
 * 1 = AGP MODE

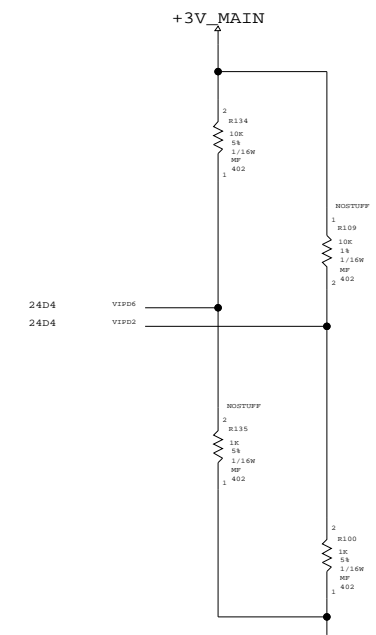


(6) AGP SIDE BAND
 [0] = [VIPD7]
 * 0 = ENABLE AGP SIDE BAND
 1 = DISABLE AGP SIDE BAND

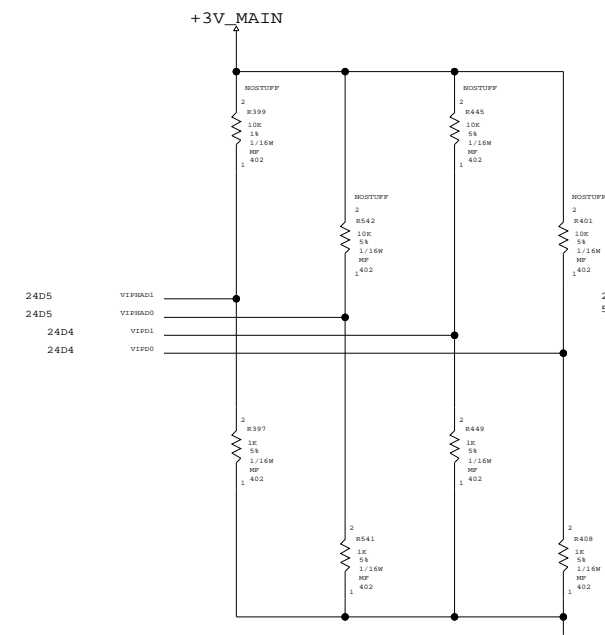


(8) FRAME BUFFER MEMORY TYPE
 [3..0] = [NV11_HSYNC,NV11_VSYNC,GPU_STRAP<3>,GPU_STRAP<2>]
 1111 = 222MHZ
 1101 = 275MHZ SAMSUNG
 1100 = 275MHZ HYNIX

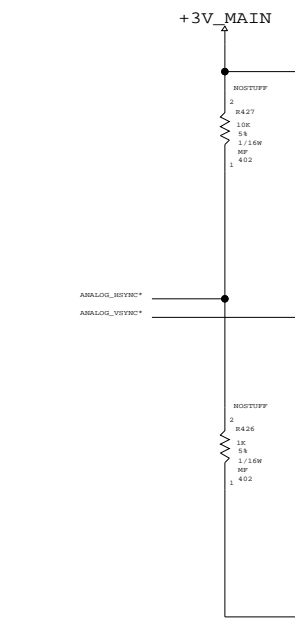
PART NUMBER	QTY	DESCRIPTION	REFERENCE DES	CRITICAL	BOM OPTION
116S1104	3	RES,10KOHM,5%,0402	R598,R583,R77		275_SAMSUNG
116S1103	1	RES,1KOHM,5%,0402	R73		275_SAMSUNG
116S1104	2	RES,10KOHM,5%,0402	R598,R583		275_HYNIX
116S1103	2	RES,1KOHM,5%,0402	R73,R79		275_HYNIX



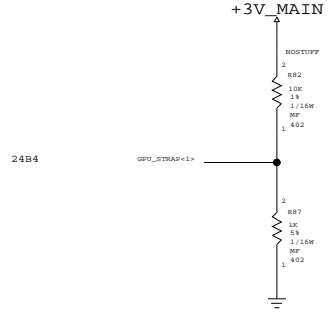
(2) CRYSTAL FREQUENCY SELECT
 [1..0] = [VIPD6,VIPD2]
 00 = 13.5MHZ
 01 = 14.38MHZ
 * 10 = 27MHZ
 11 = [UNDEFINED]



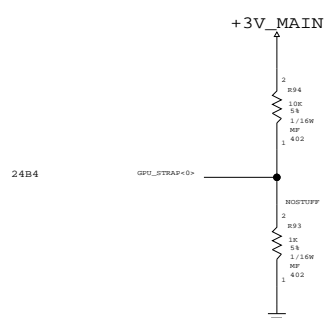
(4) USER DEFINED STRAPS
 [3..0] = [VIPHAD1,VIPHAD0,VIPD1,VIPD0]
 THESE BITS ARE UNDEFINED BUT THEY
 MUST BE KEPT LOW DURING RESET



(7) TV MODE
 [1..0] = [ANALOG_HSYNC*,ANALOG_VSYNC*]
 00 = SECAM
 01 = NTSC
 10 = PAL
 * 11 = DISABLED
 (THESE RESISTORS ARE ALL NOSTUFF)



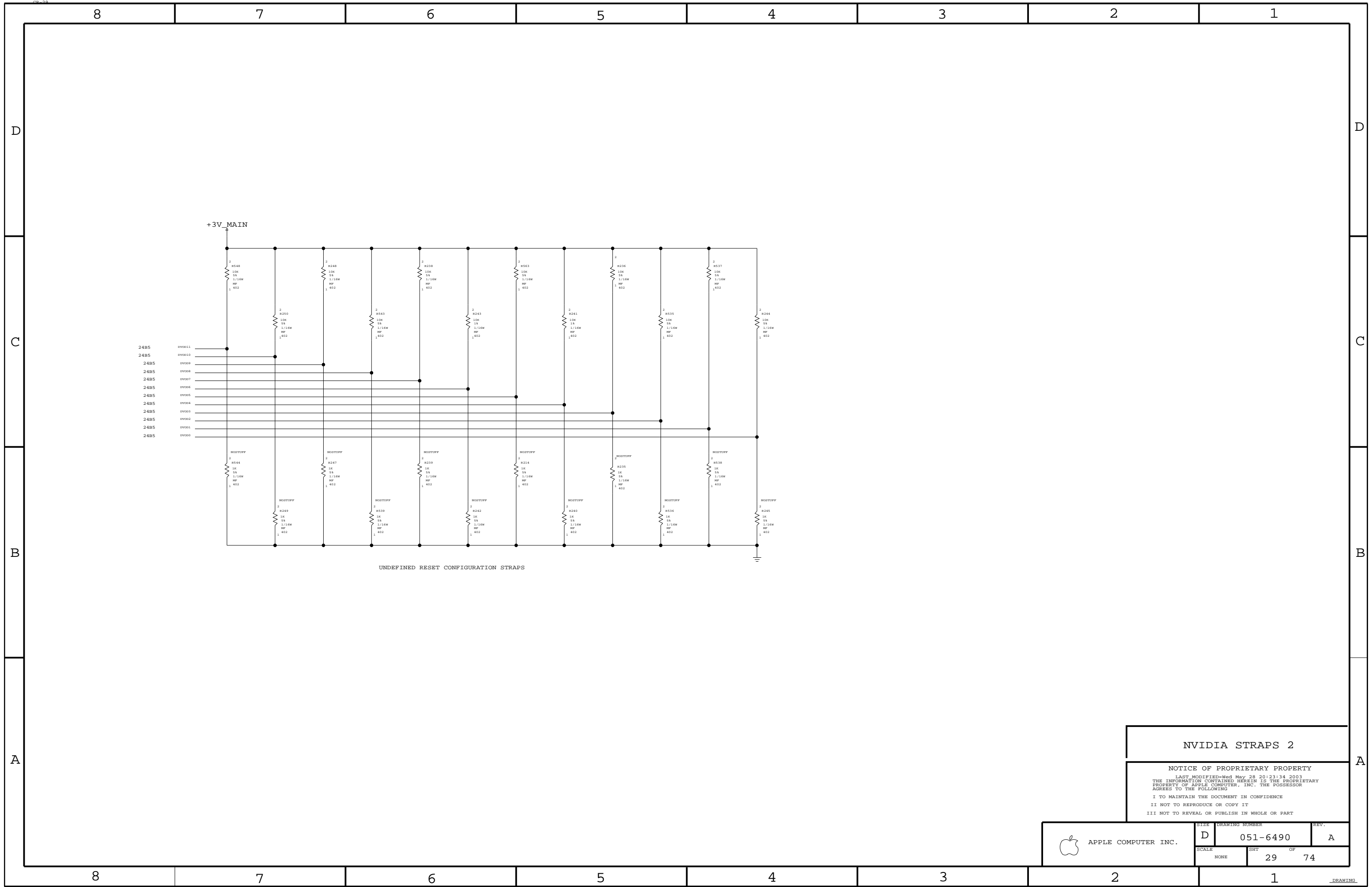
(9) SUB-VENDOR
 [0] = [GPU_STRAP<1>]
 0 = SYSTEM BIOS (VENDOR & SUBSYSTEM ID=0X0000)
 * 1 = ADAPTER CARD VGA BIOS (VENDOR & SUBSYSTEM ID=0X54-0X57)



(10) PCI ADDRESS BUS
 [0] = [GPU_STRAP<0>]
 0 = REVERSED
 * 1 = NORMAL


NVIDIA STRAPS 1
 NOTICE OF PROPRIETARY PROPERTY
 LAST MODIFIED:Wed May 28 20:23:34 2003
 THE INFORMATION CONTAINED HEREIN IS THE PROPRIETARY
 PROPERTY OF APPLE COMPUTER, INC. THE POSSESSOR
 AGREES TO THE FOLLOWING
 I TO MAINTAIN THE DOCUMENT IN CONFIDENCE
 II NOT TO REPRODUCE OR COPY IT
 III NOT TO REVEAL OR PUBLISH IN WHOLE OR PART

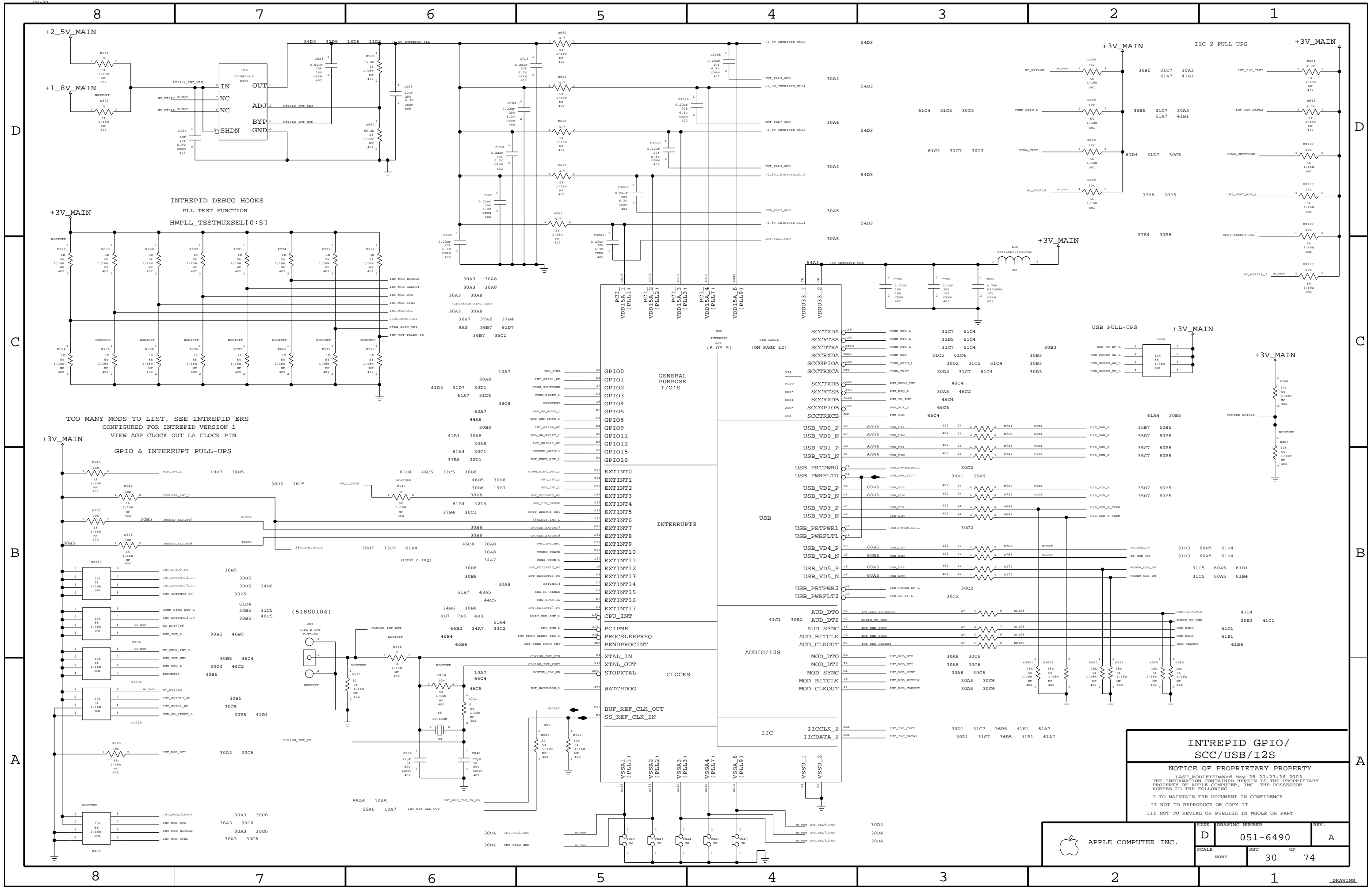
APPLE COMPUTER INC.	SIZE D	DRAWING NUMBER 051-6490	REV. A
	SCALE NONE	SHEET 28	OF 74



NVIDIA STRAPS 2

NOTICE OF PROPRIETARY PROPERTY
 LAST MODIFIED: Wed May 28 20:23:34 2003
 THE INFORMATION CONTAINED HEREIN IS THE PROPRIETARY
 PROPERTY OF APPLE COMPUTER, INC. THE POSSESSOR
 AGREES TO THE FOLLOWING
 I TO MAINTAIN THE DOCUMENT IN CONFIDENCE
 II NOT TO REPRODUCE OR COPY IT
 III NOT TO REVEAL OR PUBLISH IN WHOLE OR PART

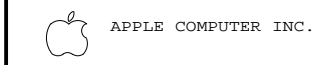
 APPLE COMPUTER INC.	SIZE D	DRAWING NUMBER 051-6490	REV. A
	SCALE NONE	SHT 29	OF 74



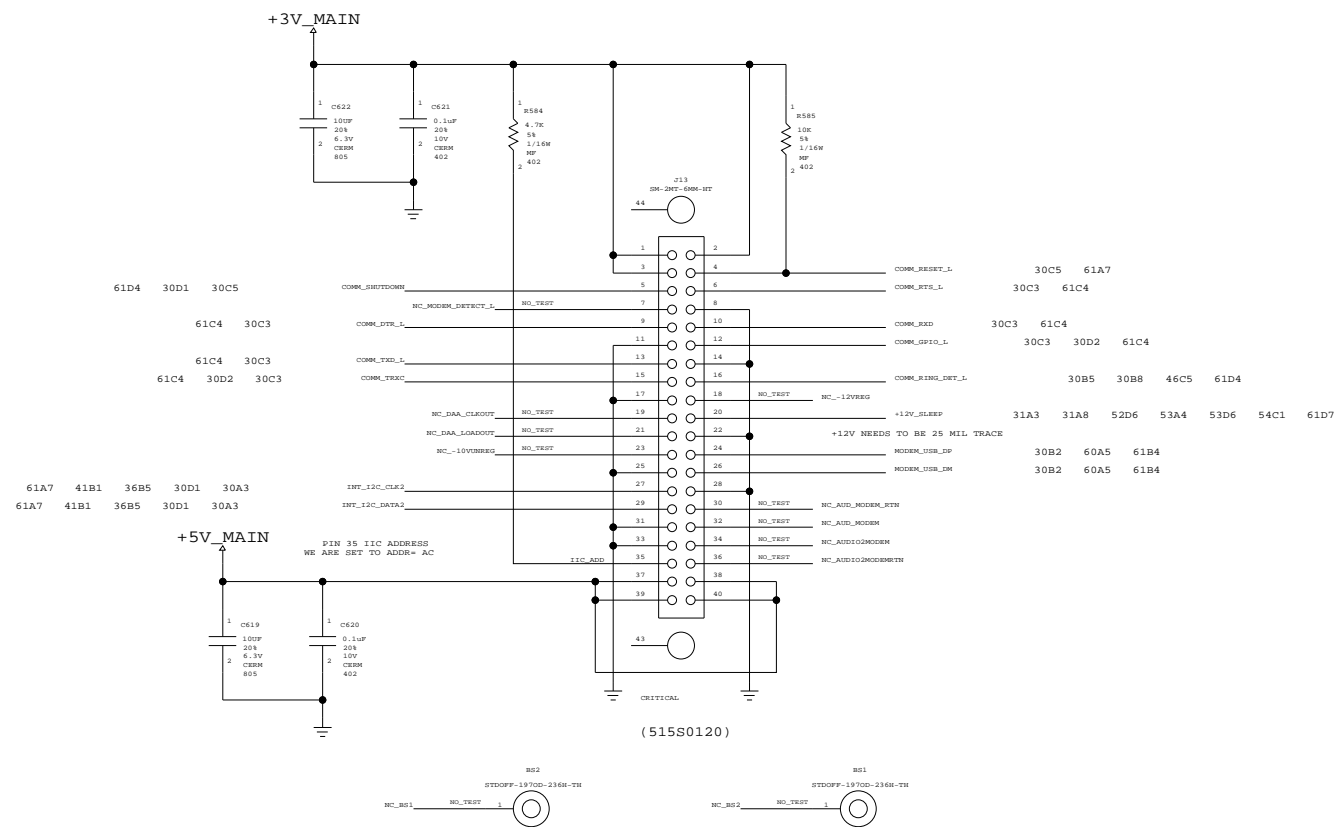
**INTREPID GPIO/
SCC/USB/I2S**

NOTICE OF PROPRIETARY PROPERTY
 LAST MODIFIED: Wed May 28 20:23:36 2003
 THE INFORMATION CONTAINED HEREIN IS THE PROPRIETARY
 PROPERTY OF APPLE COMPUTER, INC. THE POSSESSOR
 AGREES TO THE FOLLOWING
 I TO MAINTAIN THE DOCUMENT IN CONFIDENCE
 II NOT TO REPRODUCE OR COPY IT
 III NOT TO REVEAL OR PUBLISH IN WHOLE OR PART

DRAWING NUMBER	051-6490		REV.	A
	SCALE	NONE		SHEET
DRAWING NUMBER		051-6490		REV.
SCALE		NONE		SHEET
		30		74



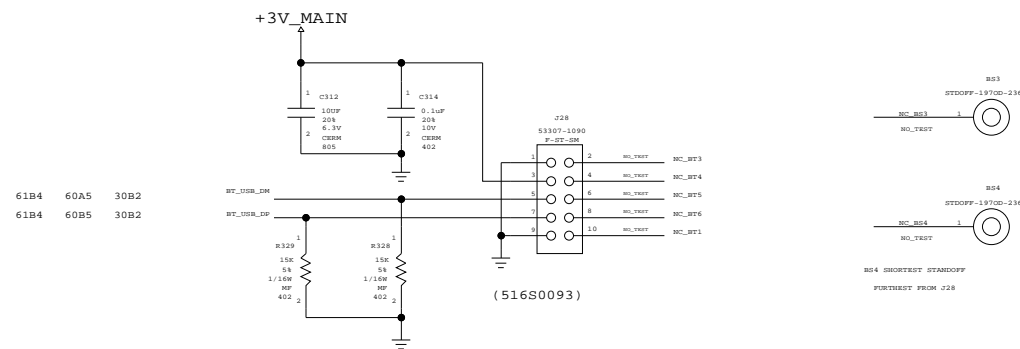
MODEM BOARD CONNECTOR
(DASH II)



MODEM STANDOFF SUPPORT

PART NUMBER	QTY	DESCRIPTION	REFERENCE DES	CRITICAL	BOM OPTION
860-1034	2	STDOFF-19709-236H-TH	BS1, BS2		

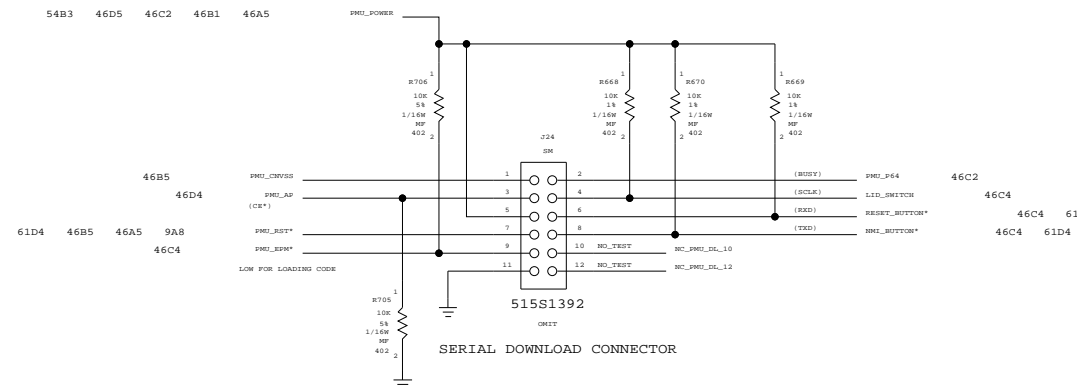
BLUETOOTH CONNECTOR



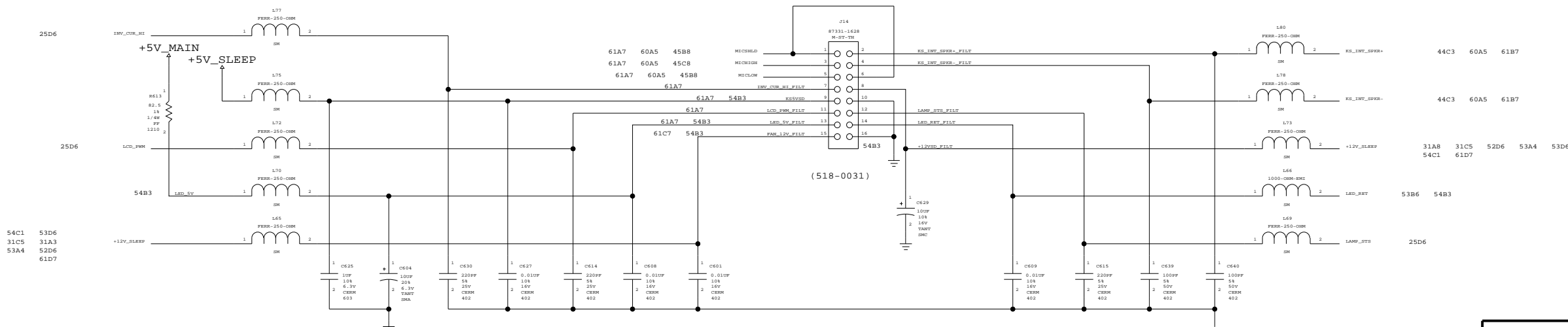
BLUETOOTH CARD MOUNTING HARDWARE SUPPORT

PART NUMBER	QTY	DESCRIPTION	REFERENCE DES	CRITICAL	BOM OPTION
860-0170	1	STDOFF, BLUETOOTH, SHORT	BS4		
860-0171	1	STDOFF, BLUETOOTH, LONG	BS3		

SERIAL DOWNLOAD INTERFACE



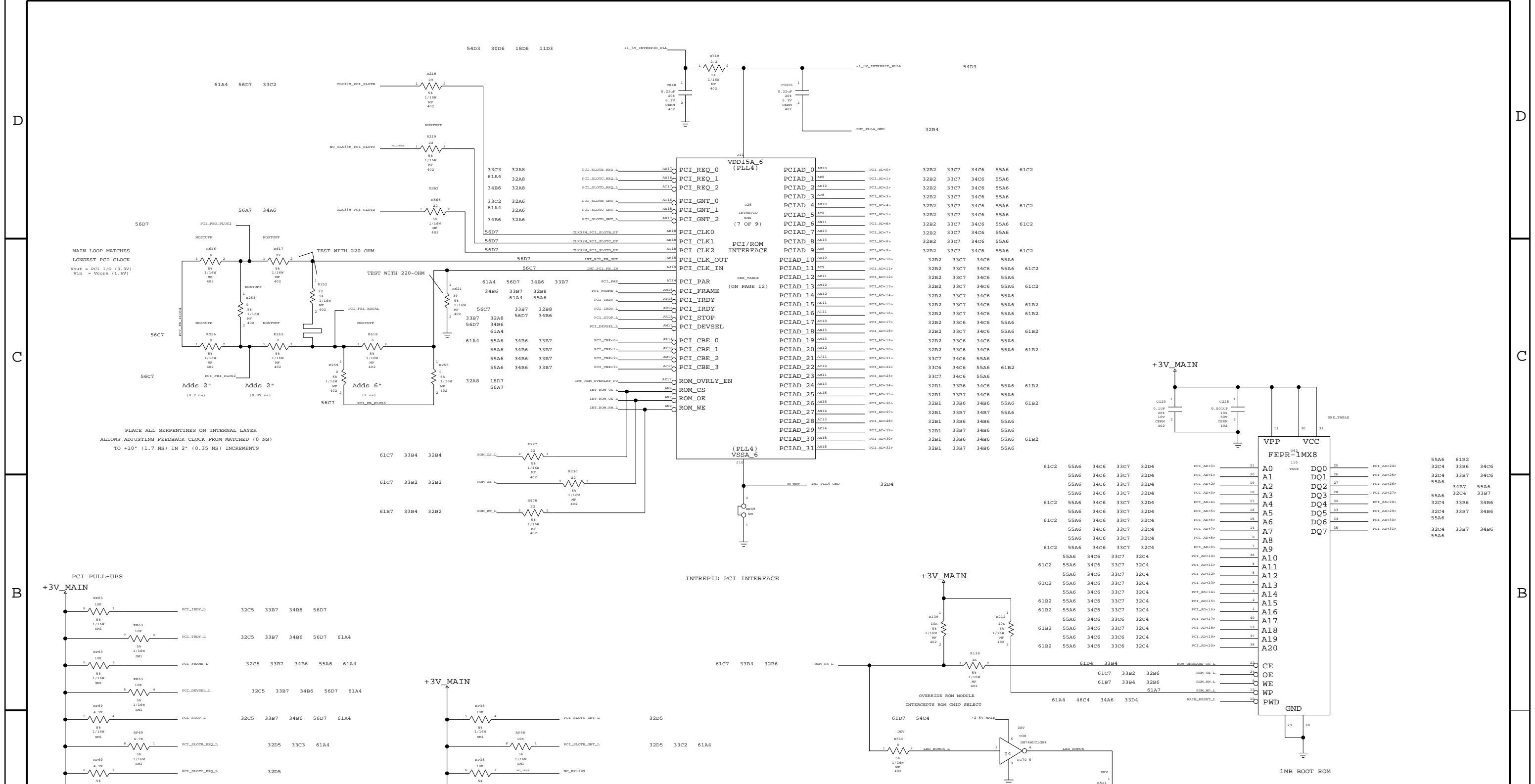
'KITCHEN SINK' CONNECTOR
(MICROPHONE, INTERNAL SPEAKER CONNECTIONS
INVERTER, LCD, LED & FAN POWER)



MODEM, BLUETOOTH,
KITCHEN SINK
& SERIAL DOWNLOAD

NOTICE OF PROPRIETARY PROPERTY
LAST MODIFIED: Wed May 28 20:23:37 2003
THE INFORMATION CONTAINED HEREIN IS THE PROPRIETARY
PROPERTY OF APPLE COMPUTER, INC. THE POSSESSOR
AGREES TO THE FOLLOWING
I TO MAINTAIN THE DOCUMENT IN CONFIDENCE
II NOT TO REPRODUCE OR COPY IT
III NOT TO REVEAL OR PUBLISH IN WHOLE OR PART

APPLE COMPUTER INC.	SIZE	DRAWING NUMBER	REV.
	D	051-6490	A
SCALE	NONE	SHT	OF
		31	74



PART NUMBER	QTY	DESCRIPTION	REFERENCE DES	CRITICAL	BOM OPTION
341T1107	1	IC, FLASH, PROD, ROM, PRGMD	U42		
341S1169	1	IC, FEPR, FLASH ROM, PROD	U42		ROM_PRGMD PROD
009-6420	1	IC, FEPR, FLASH ROM, PROD	U42		ROM_IMG PROD
341S1225	1	IC, FLASH, BOOT ROM, Q26, 4.5.8B2	U42		ROM_PRGMD PROD
009-6076	1	CODE, BOOTROM, Q26, DVT, 4.5.8B2	U42		ROM_IMG PROD
341S1272	1	IC, FLASH, BOOT ROM, Q26B	U42		ROM_PRGMD PROD
009-6068	1	CODE, BOOTROM, Q26B, DVT, 4.6.7B1	U42		ROM_IMG PROD
335S0350	1	IC, FLASH ROM, 1MB, BLANK	U42		OMIT

INTREPID PCI & BOOT ROM

NOTICE OF PROPRIETARY PROPERTY

LAST MODIFIED: Wed May 28 20:23:39 2003
 THE INFORMATION CONTAINED HEREIN IS THE PROPRIETARY PROPERTY OF APPLE COMPUTER, INC. THE POSSESSOR AGREES TO THE FOLLOWING:

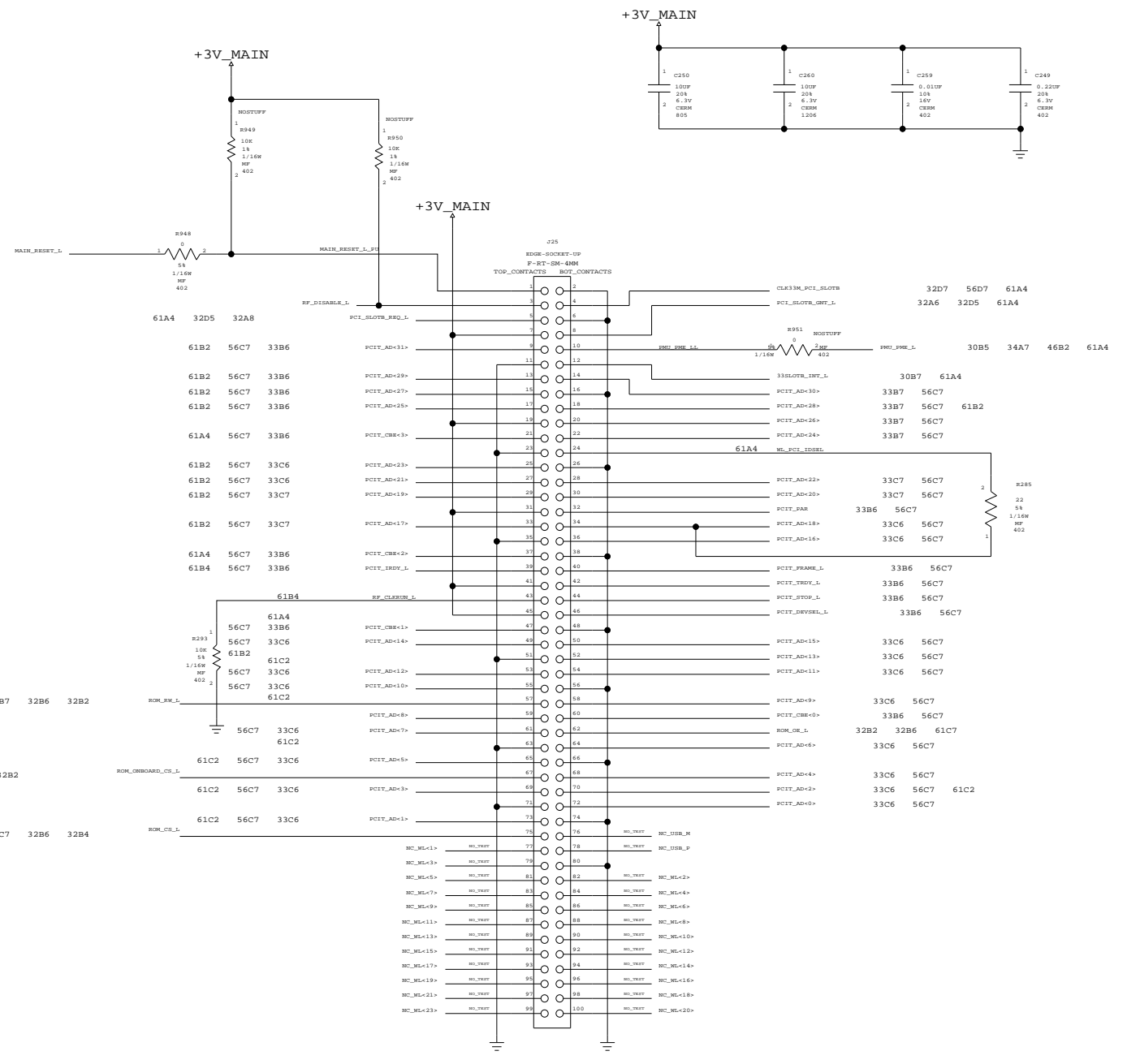
I TO MAINTAIN THE DOCUMENT IN CONFIDENCE
 II NOT TO REPRODUCE OR COPY IT
 III NOT TO REVEAL OR PUBLISH IN WHOLE OR PART

DRAWING NUMBER	051-6490	REV.	A
SCALE	NONE	SHEET	32 OF 74

APPLE COMPUTER INC.

PLACE RP'S NEAR WIRELESS CONNECTOR

61C2	55A6	34C6	32D4	32B2	PCI_AD<0>	1	RP77	8	PCI_AD<0>	33B2	56C7
	55A6	34C6	32D4	32B2	PCI_AD<1>	2	33	7	PCI_AD<1>	33B3	56C7
	55A6	34C6	32D4	32B2	PCI_AD<2>	3	5A	6	NO_TEST	33B2	56C7
	55A6	34C6	32D4	32B2	PCI_AD<3>	4	SM1	5	PCI_AD<3>	33B3	56C7
61C2	55A6	34C6	32D4	32B2	PCI_AD<4>	1	RP75	8	PCI_AD<4>	33B2	56C7
	55A6	34C6	32D4	32B2	PCI_AD<5>	2	33	7	PCI_AD<5>	33B3	56C7
	55A6	34C6	32C4	32B2	PCI_AD<6>	3	5A	6	NO_TEST	33B2	56C7
	55A6	34C6	32C4	32B2	PCI_AD<7>	4	SM1	5	PCI_AD<7>	33B3	56C7
	55A6	34C6	32C4	32B2	PCI_AD<8>	1	RP73	8	PCI_AD<8>	33B3	56C7
61C2	55A6	34C6	32C4	32B2	PCI_AD<9>	2	33	7	NO_TEST	33B2	56C7
	55A6	34C6	32C4	32B2	PCI_AD<10>	3	5A	6	PCI_AD<10>	33B3	56C7
	55A6	34C6	32C4	32B2	PCI_AD<11>	4	SM1	5	NO_TEST	33B2	56C7
	55A6	34C6	32C4	32B2	PCI_AD<12>	1	RP72	8	PCI_AD<12>	33B3	56C7
61C2	55A6	34C6	32C4	32B2	PCI_AD<13>	2	33	7	NO_TEST	33B2	56C7
	55A6	34C6	32C4	32B2	PCI_AD<14>	3	5A	6	PCI_AD<14>	33C3	56C7
	55A6	34C6	32C4	32B2	PCI_AD<15>	4	SM1	5	NO_TEST	33C2	56C7
61B2	55A6	34C6	32C4	32B2	PCI_AD<16>	1	RP59	8	PCI_AD<16>	33C2	56C7
	61B2	56C7	33C3	32B2	PCI_AD<17>	2	33	7	PCI_AD<17>	32B2	32C4
	55A6	34C6	32C4	32B2	PCI_AD<18>	3	5A	6	PCI_AD<18>	33C2	56C7
	55A6	34C6	32C4	32B2	PCI_AD<19>	4	SM1	5	PCI_AD<19>	32B2	32C4
	55A6	34C6	32C4	32B2	PCI_AD<20>	1	RP58	8	PCI_AD<20>	33C3	56C7
	55A6	34C6	32C4	32B2	PCI_AD<21>	2	33	7	PCI_AD<21>	33C3	56C7
	56C7	33C2	32C4	32B2	PCI_AD<22>	3	5A	6	PCI_AD<22>	32C4	34C6
	56C7	33C2	32C4	32B2	PCI_AD<23>	4	SM1	5	PCI_AD<23>	32B2	32C4
55A6	34B7	32C4	32B1	55A6	PCI_AD<27>	1	RP56	8	PCI_AD<27>	33C3	56C7
	55A6	34C6	32C4	32B1	PCI_AD<28>	2	33	7	PCI_AD<28>	33C3	56C7
	56C7	33C2	32C4	32B1	PCI_AD<26>	3	5A	6	PCI_AD<26>	32B1	32C4
	56C7	33C2	32C4	32B1	PCI_AD<24>	4	SM1	5	PCI_AD<24>	32B1	32C4
61B2	56C7	33C2	32C4	32B1	PCI_AD<28>	1	RP54	8	PCI_AD<28>	32B1	32C4
	56C7	33C2	32C4	32B1	PCI_AD<30>	2	33	7	PCI_AD<30>	32B1	32C4
	55A6	34B6	32C4	32B1	PCI_AD<31>	3	5A	6	PCI_AD<31>	33C3	56C7
	55A6	34B6	32C4	32B1	PCI_AD<29>	4	SM1	5	PCI_AD<29>	33C3	56C7
61A4	56D7	34B6	32C5	32C5	PCI_PAR	1	RP53	8	PCI_PAR	33C2	56C7
61A4	55A6	34B6	32C5	32B8	PCI_FRAME_L	2	RP61	7	NO_TEST	33C2	56C7
61A4	56D7	34B6	32C5	32B8	PCI_TRDY_L	3	33	6	NO_TEST	33C2	56C7
61A4	56D7	34B6	32C5	32A8	PCI_STBY_L	4	5A	5	NO_TEST	33C3	56C7
61A4	56D7	34B6	32C5	32A8	PCI_STOP_L	1	SM1	8	PCI_STOP_L	33C2	56C7
61A4	56D7	34B6	32C5	32A8	PCI_DRYSSEL_L	2	RP47	7	NO_TEST	33C2	56C7
	55A6	34B6	32C5	32C5	PCI_CBE<1>	3	33	6	PCI_CBE<1>	33C3	56C7
	55A6	34B6	32C5	32C5	PCI_CBE<0>	4	5A	5	NO_TEST	33B2	56C7
	55A6	34B6	32C5	32C5	PCI_CBE<2>	1	SM1	8	PCI_CBE<2>	33C3	56C7
	55A6	34B6	32C5	32C5	PCI_CBE<3>	2	RP44	7	NO_TEST	33C3	56C7
					NO_PCEB0	NO_TEST	3	5A	6	NO_TEST	
					NO_PCEB1	NO_TEST	4	SM1	5	NO_TEST	
									NO_PCEB2		
									NO_PCEB3		



(516S0046)

WIRELESS CARD MOUNTING HARDWARE SUPPORT

PART NUMBER	QTY	DESCRIPTION	REFERENCE DES	CRITICAL	BOM OPTION
815-7245	1	WIRELESS CARD GUIDE, J25	J251		
452-0411	2	NUT, HEX, M2 X 1.5H, J25	J252, J253		
452-0412	2	SCREW, M2 X 0.4 X 6.0 L, J25	J254, J255		

WIRELESS PCI

NOTICE OF PROPRIETARY PROPERTY

LAST MODIFIED: Wed May 28 20:23:40 2003

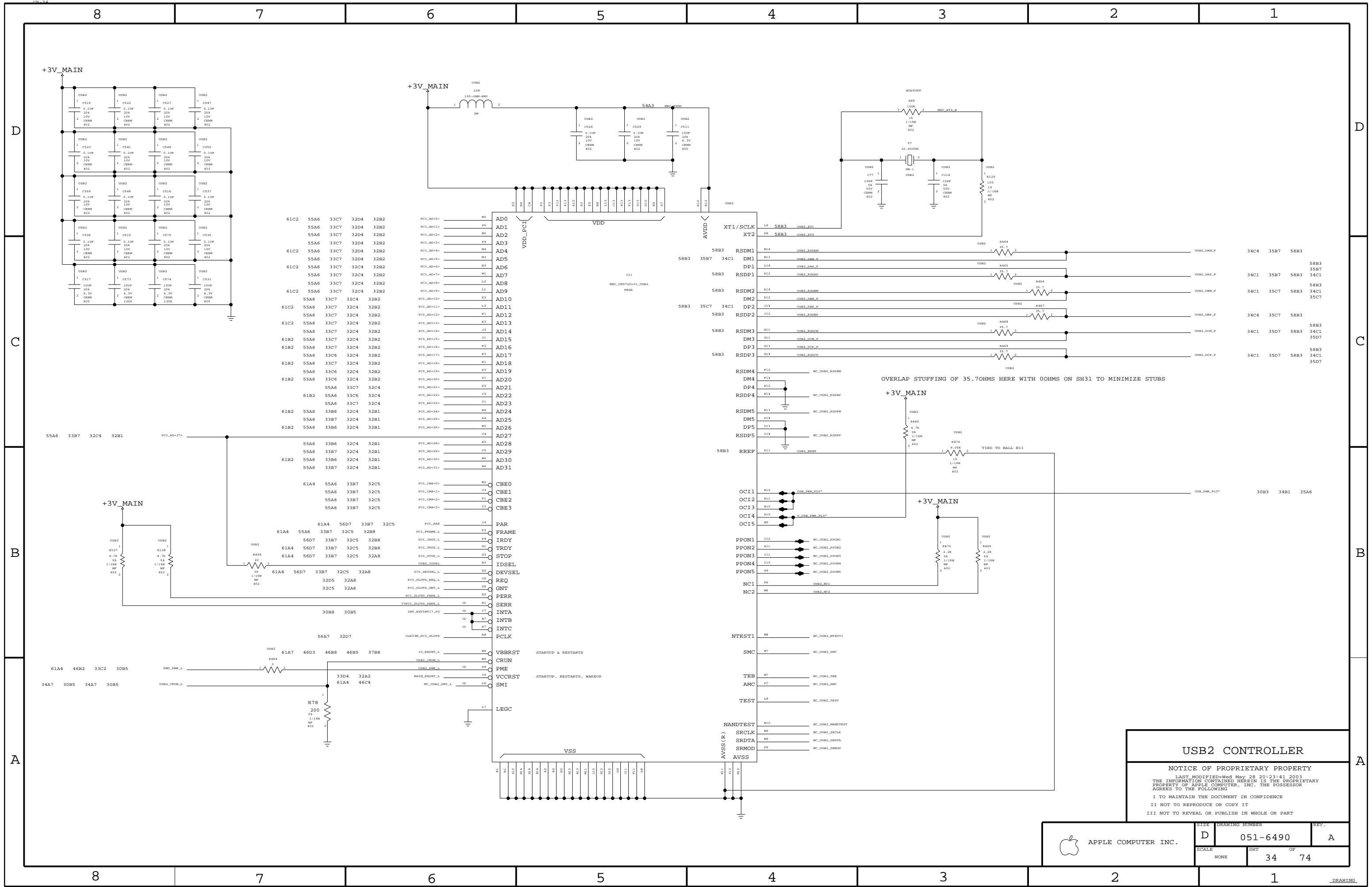
THE INFORMATION CONTAINED HEREIN IS THE PROPRIETARY PROPERTY OF APPLE COMPUTER, INC. THE POSSESSOR AGREES TO THE FOLLOWING

I TO MAINTAIN THE DOCUMENT IN CONFIDENCE

II NOT TO REPRODUCE OR COPY IT

III NOT TO REVEAL OR PUBLISH IN WHOLE OR PART

APPLE COMPUTER INC.	SCALE	D	DRAWING NUMBER	051-6490	REV.	A
	NONE					
				33		74



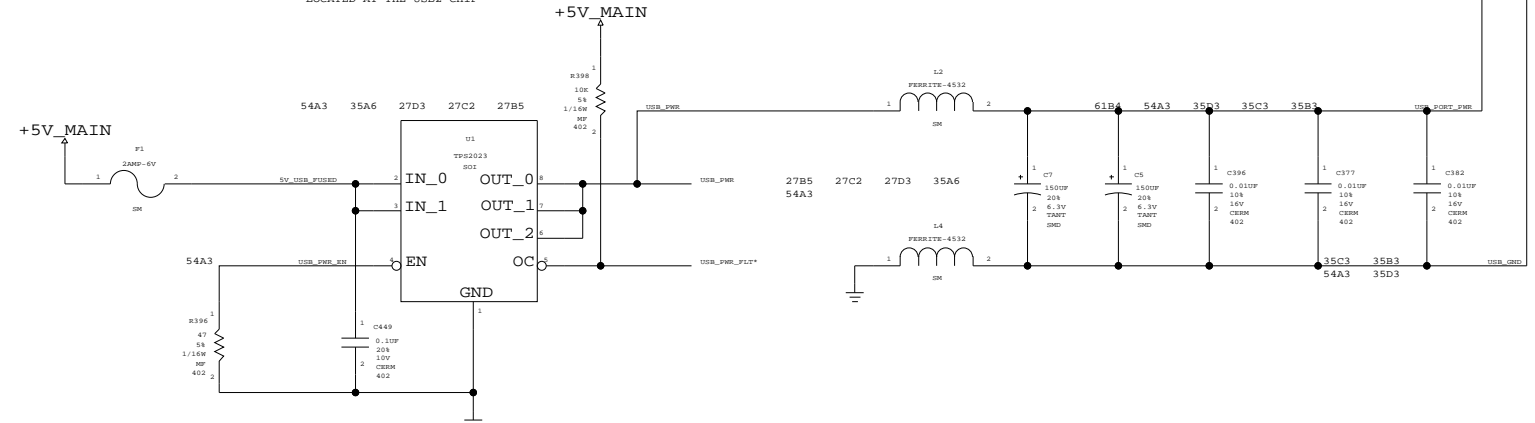
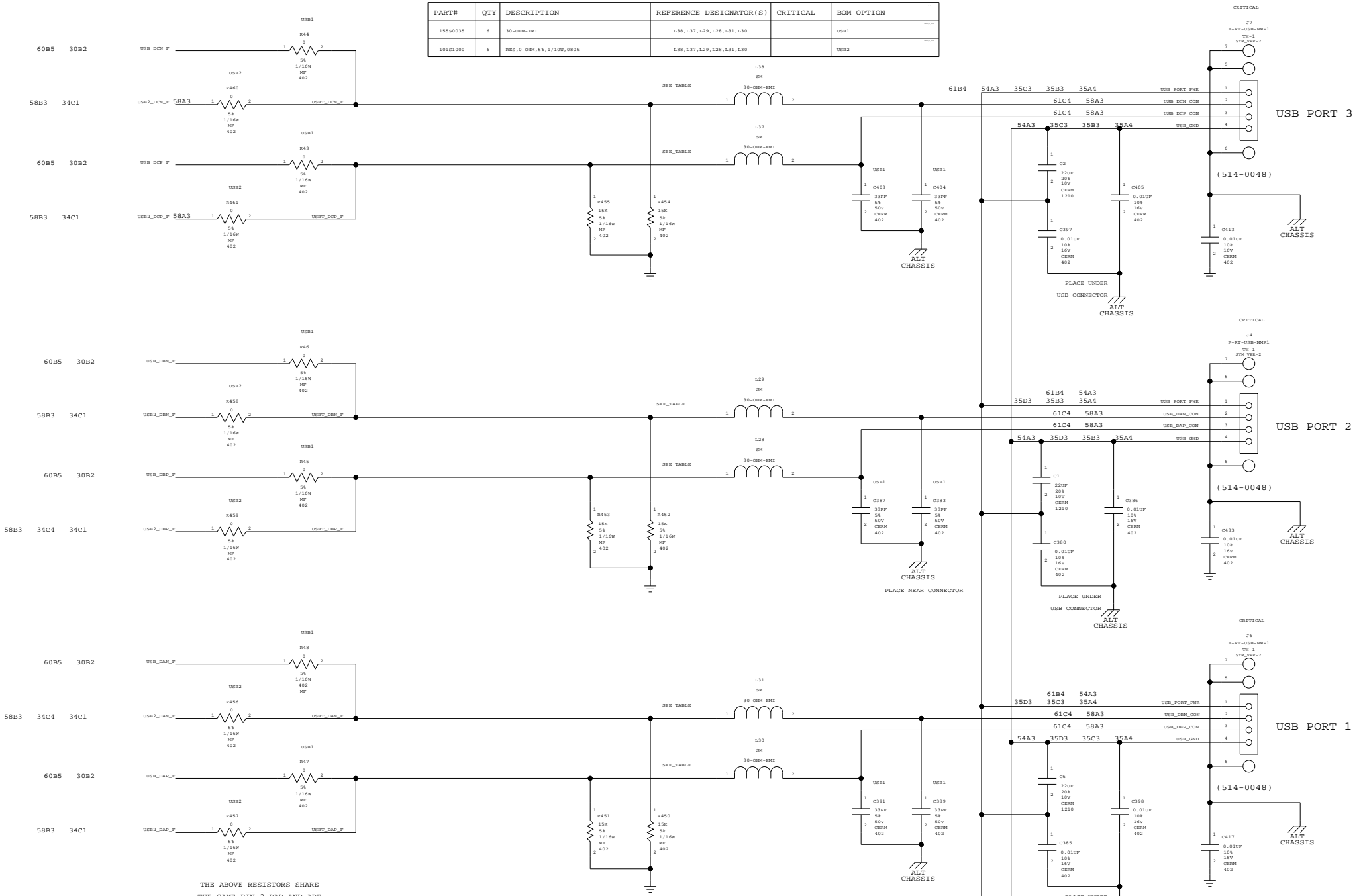
USB2 CONTROLLER

NOTICE OF PROPRIETARY PROPERTY
 LAST MODIFIED: Wed May 28 20:23:41 2003
 THE INFORMATION CONTAINED HEREIN IS THE PROPRIETARY
 PROPERTY OF APPLE COMPUTER, INC. THE POSSESSOR
 AGREES TO THE FOLLOWING
 I TO MAINTAIN THE DOCUMENT IN CONFIDENCE
 II NOT TO REPRODUCE OR COPY IT
 III NOT TO REVEAL OR PUBLISH IN WHOLE OR PART

APPLE COMPUTER INC.	SIZE D	DRAWING NUMBER 051-6490	REV. A
	SCALE NONE	SHEET 34	OF 74

8 7 6 5 4 3 2 1

PART#	QTY	DESCRIPTION	REFERENCE DESIGNATOR(S)	CRITICAL	BOM OPTION
15550035	6	30-OHM-8MM1	L38,L37,L29,L28,L31,L30		USB1
10151000	6	RES,0-OHM,5%,1/10W,0805	L38,L37,L29,L28,L31,L30		USB2

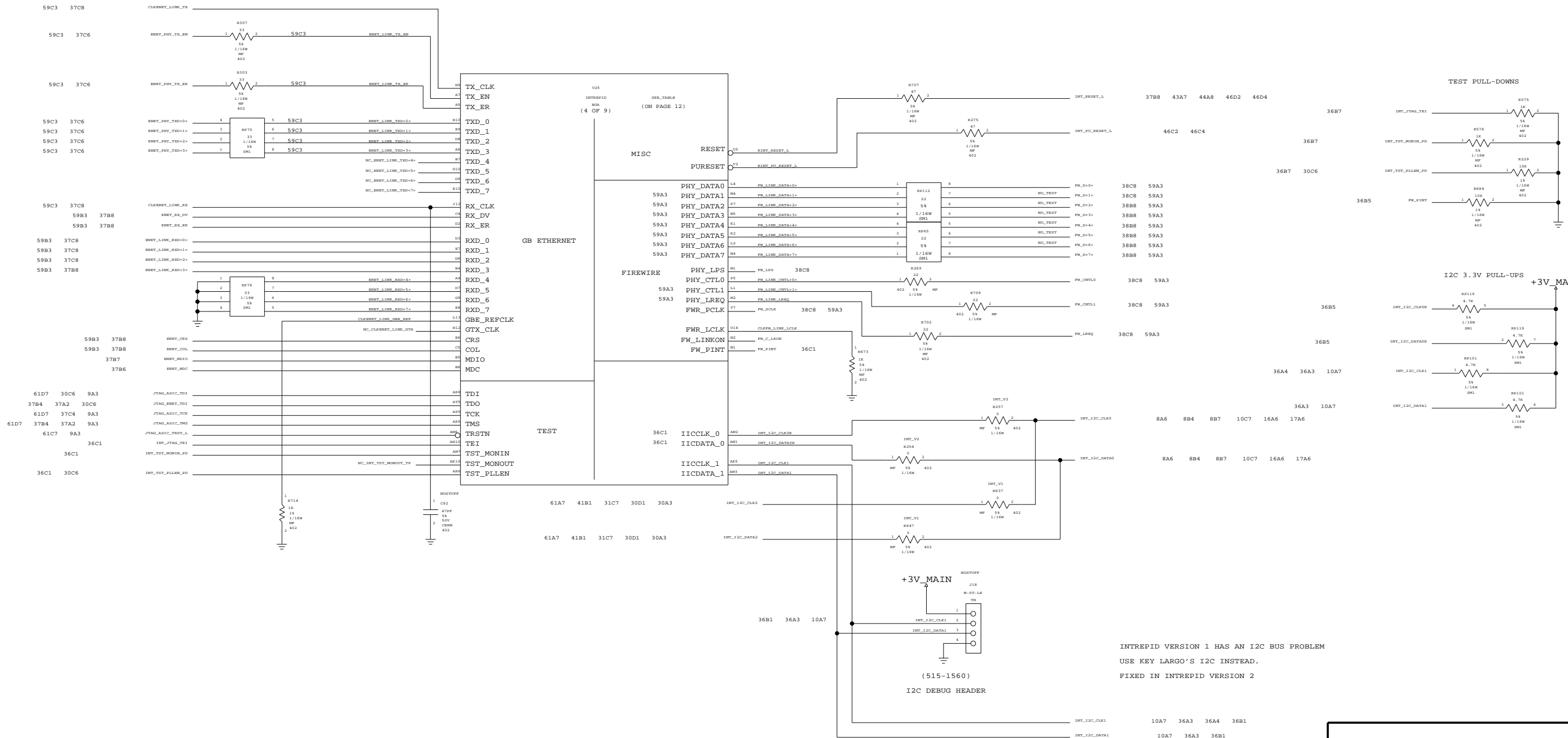


USB CONNS & PWR

NOTICE OF PROPRIETARY PROPERTY
 LAST MODIFIED: Wed May 28 20:23:42 2003
 THE INFORMATION CONTAINED HEREIN IS THE PROPRIETARY PROPERTY OF APPLE COMPUTER, INC. THE POSSESSOR AGREES TO THE FOLLOWING:
 I TO MAINTAIN THE DOCUMENT IN CONFIDENCE
 II NOT TO REPRODUCE OR COPY IT
 III NOT TO REVEAL OR PUBLISH IN WHOLE OR PART

APPLE COMPUTER INC.	SIZE	DRAWING NUMBER	REV.
	D	051-6490	A
SCALE	SHT	OF	
NONE	35	74	

8 7 6 5 4 3 2 1 DRAWING

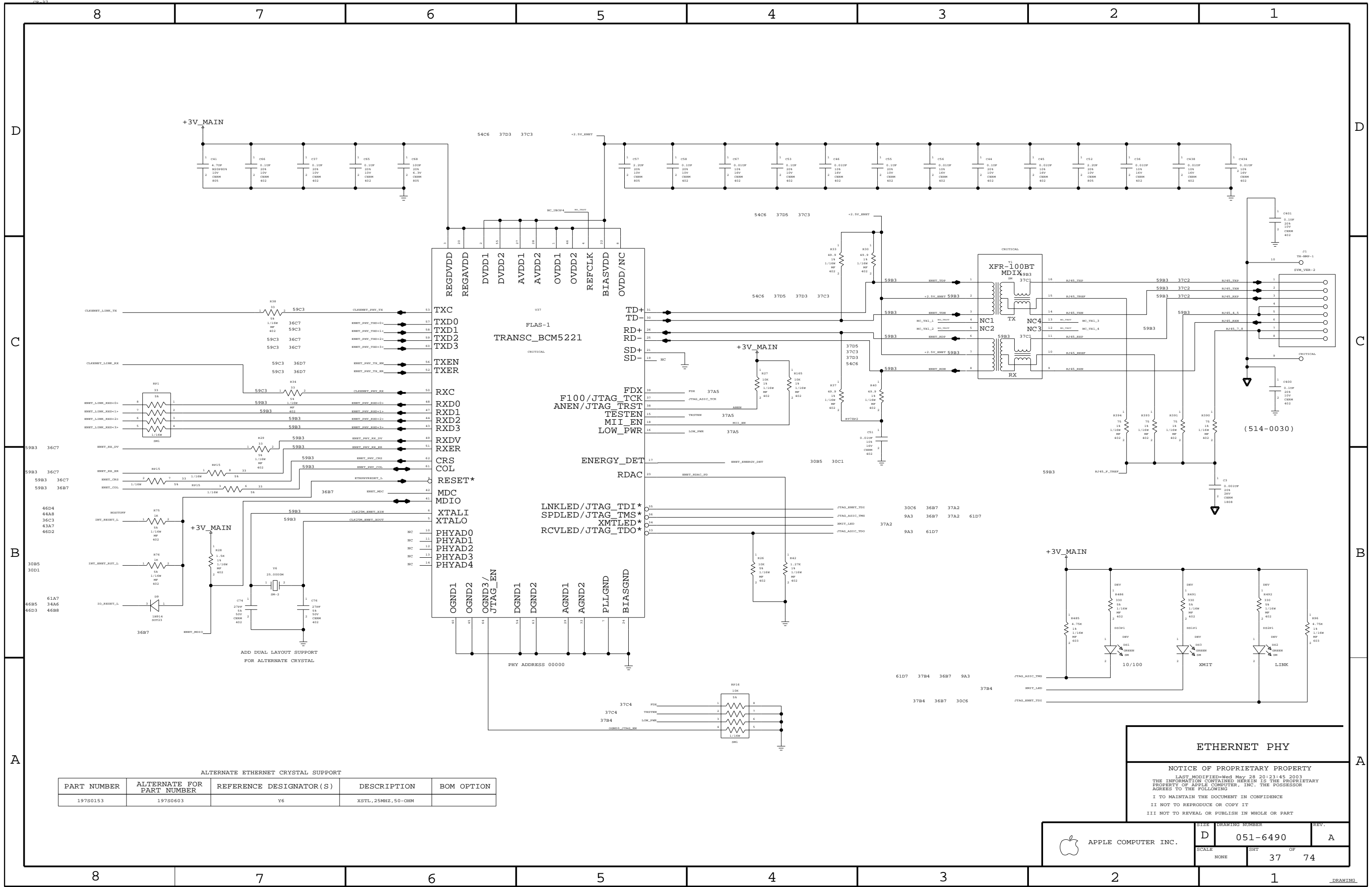


INTREPID VERSION 1 HAS AN I2C BUS PROBLEM
 USE KEY LARGO'S I2C INSTEAD.
 FIXED IN INTREPID VERSION 2

INTREPID ENET & FW

NOTICE OF PROPRIETARY PROPERTY
 LAST MODIFIED: Wed May 28 20:23:43 2003
 THE INFORMATION CONTAINED HEREIN IS THE PROPRIETARY
 PROPERTY OF APPLE COMPUTER, INC. THE POSSESSOR
 AGREES TO THE FOLLOWING
 I TO MAINTAIN THE DOCUMENT IN CONFIDENCE
 II NOT TO REPRODUCE OR COPY IT
 III NOT TO REVEAL OR PUBLISH IN WHOLE OR PART

APPLE COMPUTER INC.	SIZE	DRAWING NUMBER	REV.
	D	051-6490	A
SCALE	NONE	SHT	OF
		36	74



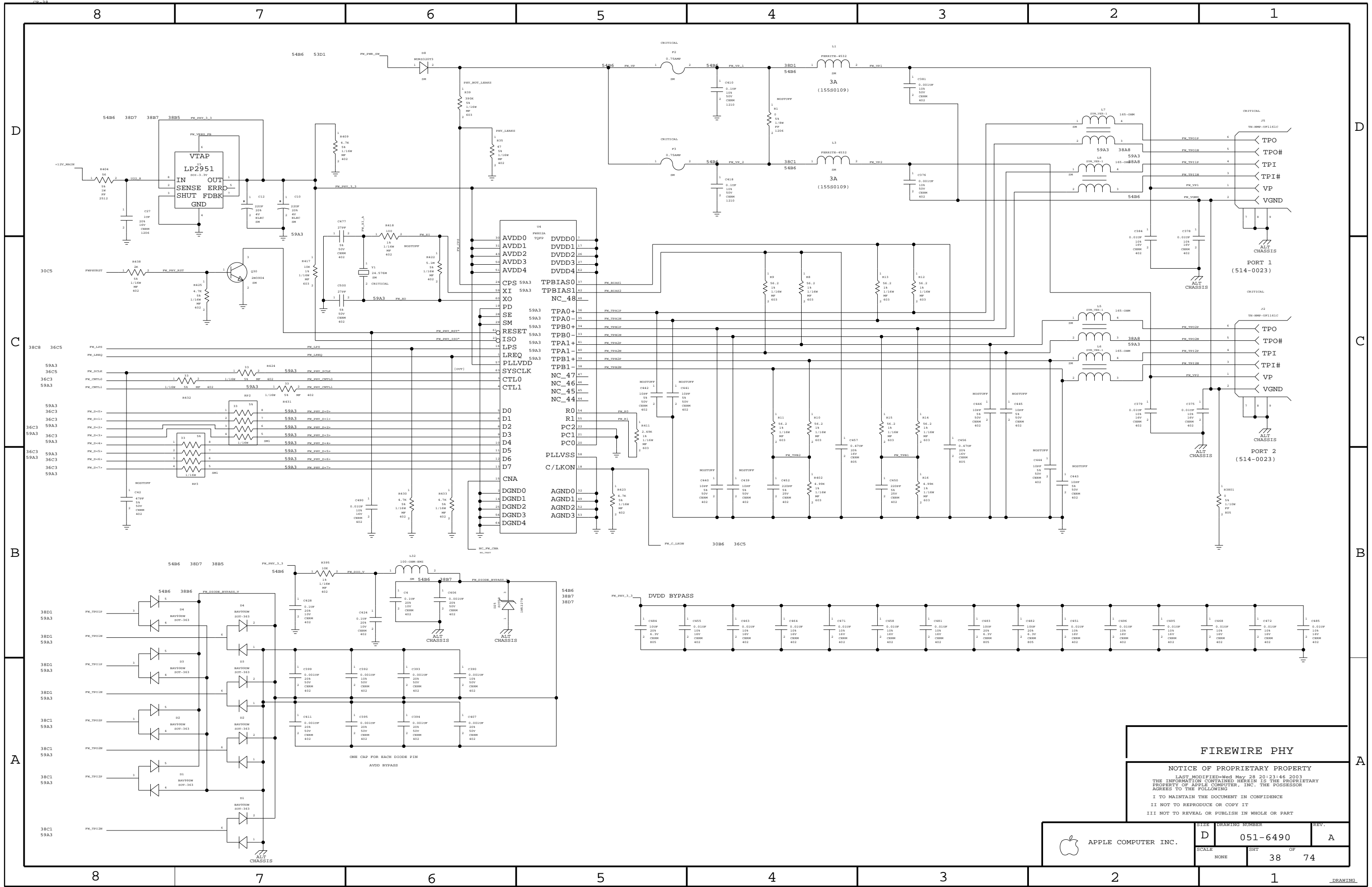
ALTERNATE ETHERNET CRYSTAL SUPPORT

PART NUMBER	ALTERNATE FOR PART NUMBER	REFERENCE DESIGNATOR(S)	DESCRIPTION	BOM OPTION
197S0153	197S0603	Y6	XSTL, 25MHZ, 50-OHM	

ETHERNET PHY

NOTICE OF PROPRIETARY PROPERTY
 LAST MODIFIED: Wed May 28 20:23:45 2003
 THE INFORMATION CONTAINED HEREIN IS THE PROPRIETARY PROPERTY OF APPLE COMPUTER, INC. THE POSSESSOR AGREES TO THE FOLLOWING:
 I TO MAINTAIN THE DOCUMENT IN CONFIDENCE
 II NOT TO REPRODUCE OR COPY IT
 III NOT TO REVEAL OR PUBLISH IN WHOLE OR PART

APPLE COMPUTER INC.	SIZE D	DRAWING NUMBER 051-6490	REV. A
	SCALE NONE	SHEET 37	OF 74



FIREWIRE PHY

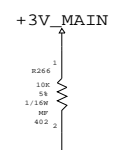
NOTICE OF PROPRIETARY PROPERTY
 LAST MODIFIED: Wed May 28 20:23:46 2003
 THE INFORMATION CONTAINED HEREIN IS THE PROPRIETARY PROPERTY OF APPLE COMPUTER, INC. THE POSSESSOR AGREES TO THE FOLLOWING:
 I TO MAINTAIN THE DOCUMENT IN CONFIDENCE
 II NOT TO REPRODUCE OR COPY IT
 III NOT TO REVEAL OR PUBLISH IN WHOLE OR PART

APPLE COMPUTER INC.	SIZE D	DRAWING NUMBER 051-6490	REV. A
	SCALE NONE	SHEET 38	OF 74

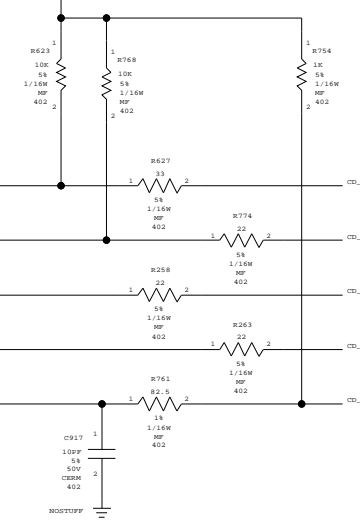
D
C
B
A

D
C
B
A

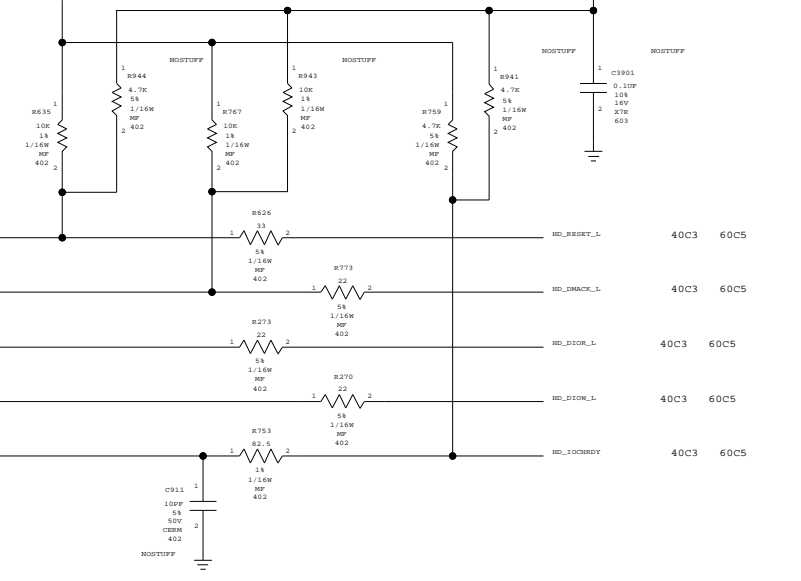
UATA100		ATA_D0	UATA100	UIDE_DATA<0>	39C3	60C5
		ATA_D1	UATA100	UIDE_DATA<1>	39C3	60C5
		ATA_D2	UATA100	UIDE_DATA<2>	39C3	60C5
		ATA_D3	UATA100	UIDE_DATA<3>	39C3	60C5
		ATA_D4	UATA100	UIDE_DATA<4>	39B3	60C5
		ATA_D5	UATA100	UIDE_DATA<5>	39B3	60C5
		ATA_D6	UATA100	UIDE_DATA<6>	39B3	60C5
		ATA_D7	UATA100	UIDE_DATA<7>	39B3	60C5
		ATA_D8	UATA100	UIDE_DATA<8>	39B3	60C5
		ATA_D9	UATA100	UIDE_DATA<9>	39B3	60C5
		ATA_D10	UATA100	UIDE_DATA<10>	39B3	60C5
		ATA_D11	UATA100	UIDE_DATA<11>	39B3	60C5
		ATA_D12	UATA100	UIDE_DATA<12>	39B3	60C5
		ATA_D13	UATA100	UIDE_DATA<13>	39A3	60C5
		ATA_D14	UATA100	UIDE_DATA<14>	39A3	60C5
		ATA_D15	UATA100	UIDE_DATA<15>	39A3	60C5
		ATA_A0	UATA100	UIDE_ADDR<0>	40B4	60B5
		ATA_A1	UATA100	UIDE_ADDR<1>	40B4	60B5
		ATA_A2	UATA100	UIDE_ADDR<2>	40A4	60B5
		ATA_VREP	UATA100	UIDE_VREP		
		ATA_RST	UATA100	UIDE_RST_L	39D3	60C5
		ATA_WR	UATA100	UIDE_DIOW_L	39C3	60C5
		ATA_RD	UATA100	UIDE_DIOR_L	39D3	60C5
		ATA_CHRDY	UATA100	UIDE_IOCHRDY	39C3	60C5
		ATA_CS0	UATA100	UIDE_CS0FX_L	40B4	60B5
		ATA_CS1	UATA100	UIDE_CS1FX_L	40B4	60B5
		ATA_DMACK	UATA100	UIDE_DMACK_L	39D3	60C5
		ATA_DMARQ	UATA100	UIDE_DMARQ	40C4	60C5
		ATA_INTRQ	UATA100	UIDE_INTRQ	40C4	60C5
		CS_CE1	CARDSLOT	MC_CSLOT_CEL_L		
		CS_CE2	CARDSLOT	MC_CSLOT_CEL_L		
		CS_IORD	CARDSLOT	MC_CSLOT_IORD_L		
		CS_IOWR	CARDSLOT	MC_CSLOT_IOWR_L		
		CS_OE	CARDSLOT	MC_CSLOT_OE_L		
		CS_WE	CARDSLOT	MC_CSLOT_WE_L		
		CS_WAIT	CARDSLOT	MC_CSLOT_WAIT_L		
		IDE0	IDE	UIDE_DATA<0>	39C5	60D5
		IDE1	IDE	UIDE_DATA<1>	39C5	60D5
		IDE2	IDE	UIDE_DATA<2>	39C5	60D5
		IDE3	IDE	UIDE_DATA<3>	39C5	60D5
		IDE4	IDE	UIDE_DATA<4>	39B5	60D5
		IDE5	IDE	UIDE_DATA<5>	39B5	60D5
		IDE6	IDE	UIDE_DATA<6>	39B5	60D5
		IDE7	IDE	UIDE_DATA<7>	39B5	60D5
		IDE8	IDE	UIDE_DATA<8>	39B5	60D5
		IDE9	IDE	UIDE_DATA<9>	39B5	60D5
		IDE10	IDE	UIDE_DATA<10>	39B5	60D5
		IDE11	IDE	UIDE_DATA<11>	39B5	60D5
		IDE12	IDE	UIDE_DATA<12>	39B5	60D5
		IDE13	IDE	UIDE_DATA<13>	39A5	60D5
		IDE14	IDE	UIDE_DATA<14>	39A5	60D5
		IDE15	IDE	UIDE_DATA<15>	39A5	60D5
		IDEA0	IDE	UIDE_ADDR<0>	40B8	60C5
		IDEA1	IDE	UIDE_ADDR<1>	40B8	60C5
		IDEA2	IDE	UIDE_ADDR<2>	40A8	60C5
		IDEA3	IDE	MC_CSLOT_ADDR<3>		
		IDEA4	IDE	MC_CSLOT_ADDR<4>		
		IDEA5	IDE	MC_CSLOT_ADDR<5>		
		IDEA6	IDE	MC_CSLOT_ADDR<6>		
		IDEA7	IDE	MC_CSLOT_ADDR<7>		
		IDEA8	IDE	MC_CSLOT_ADDR<8>		
		IDEA9	IDE	MC_CSLOT_ADDR<9>		
		IDECHRDY	IDE	UIDE_DOSTR_RDV	39C5	60D5
		IDEC0	IDE	UIDE_CS0FX_L	40B8	60C5
		IDEC1	IDE	UIDE_CS1FX_L	40B8	60C5
		IDERST	IDE	UIDE_RST_L	39D5	60D5
		IDEMR	IDE	UIDE_STOP	39D5	60D5
		IDERD	IDE	UIDE_DOSTR_RDV	39C5	60D5
		IDEMACK	IDE	UIDE_DMACK_L	39D5	60D5
		IDEMARQ	IDE	UIDE_DMARQ	40C8	60D5
		IDEINTRQ	IDE	UIDE_INTRQ	40C8	60D5



+5V_SLEEP



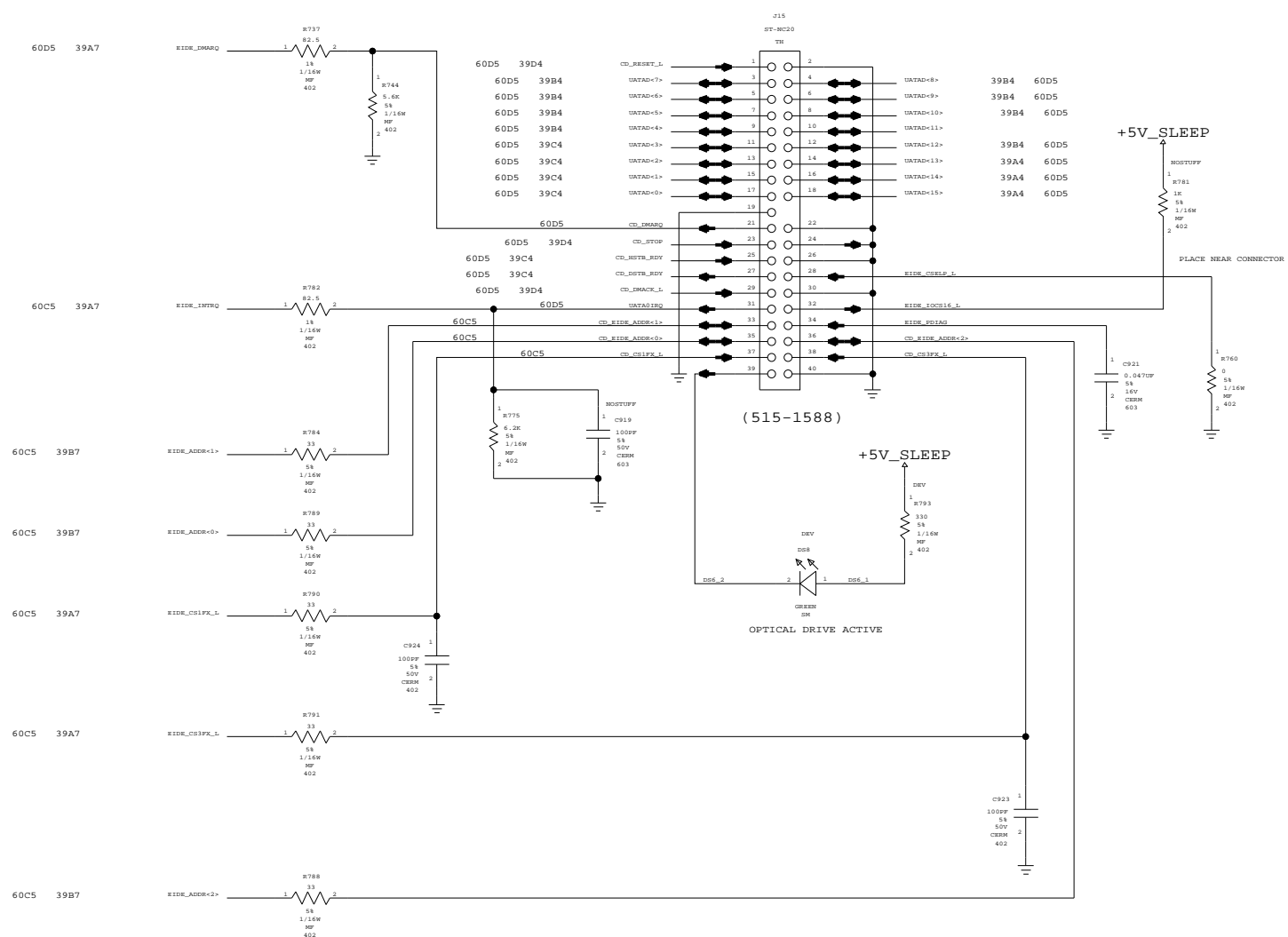
+5V_SLEEP



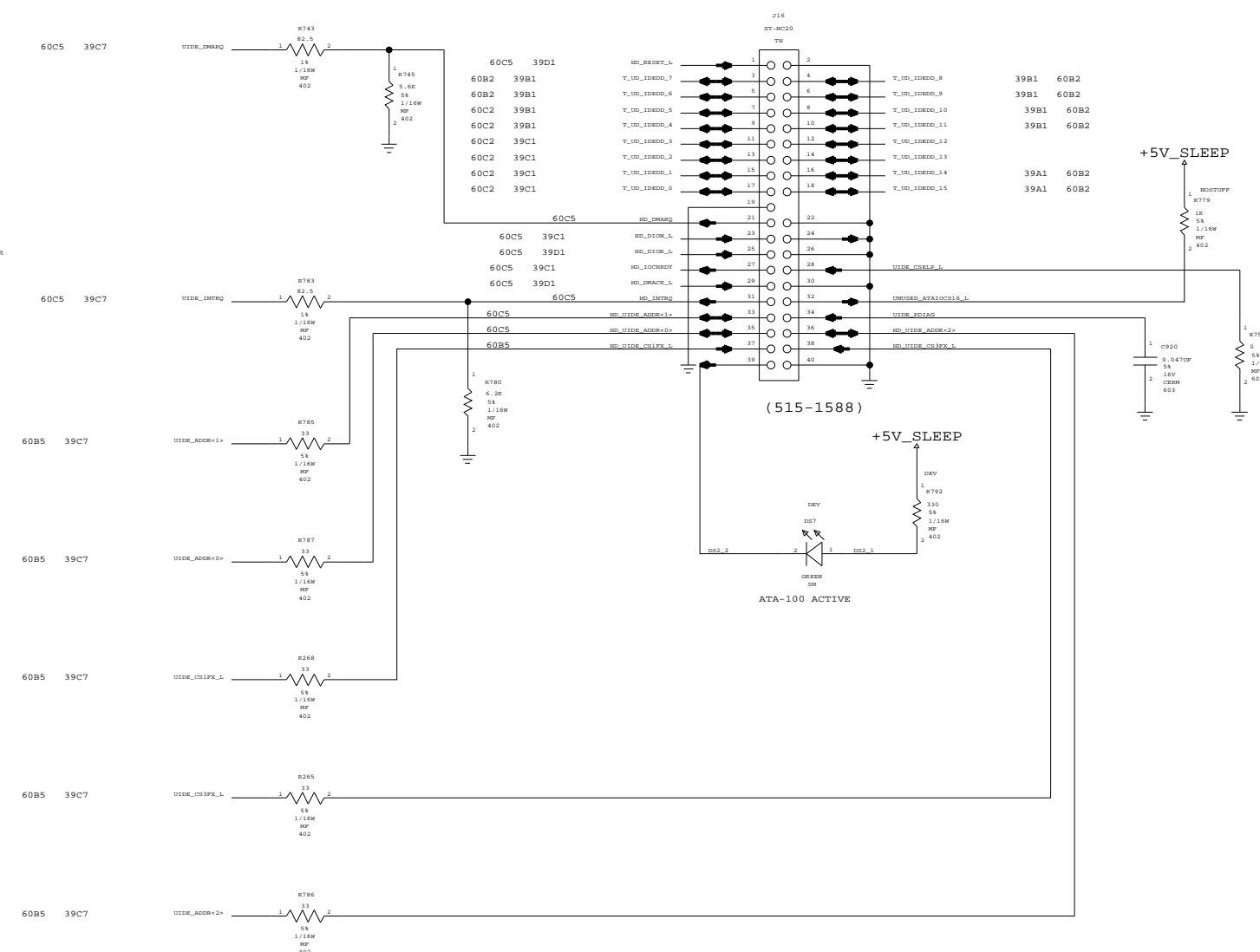
INTREPID UATA/IDE
 NOTICE OF PROPRIETARY PROPERTY
 LAST MODIFIED: Wed May 28 20:23:48 2003
 THE INFORMATION CONTAINED HEREIN IS THE PROPRIETARY PROPERTY OF APPLE COMPUTER, INC. THE POSSESSOR AGREES TO THE FOLLOWING
 I TO MAINTAIN THE DOCUMENT IN CONFIDENCE
 II NOT TO REPRODUCE OR COPY IT
 III NOT TO REVEAL OR PUBLISH IN WHOLE OR PART

APPLE COMPUTER INC.	SIZE	DRAWING NUMBER	REV.
	D	051-6490	A
SCALE	SHT	OF	
NONE	39	74	

OPTICAL DRIVE INTERFACE



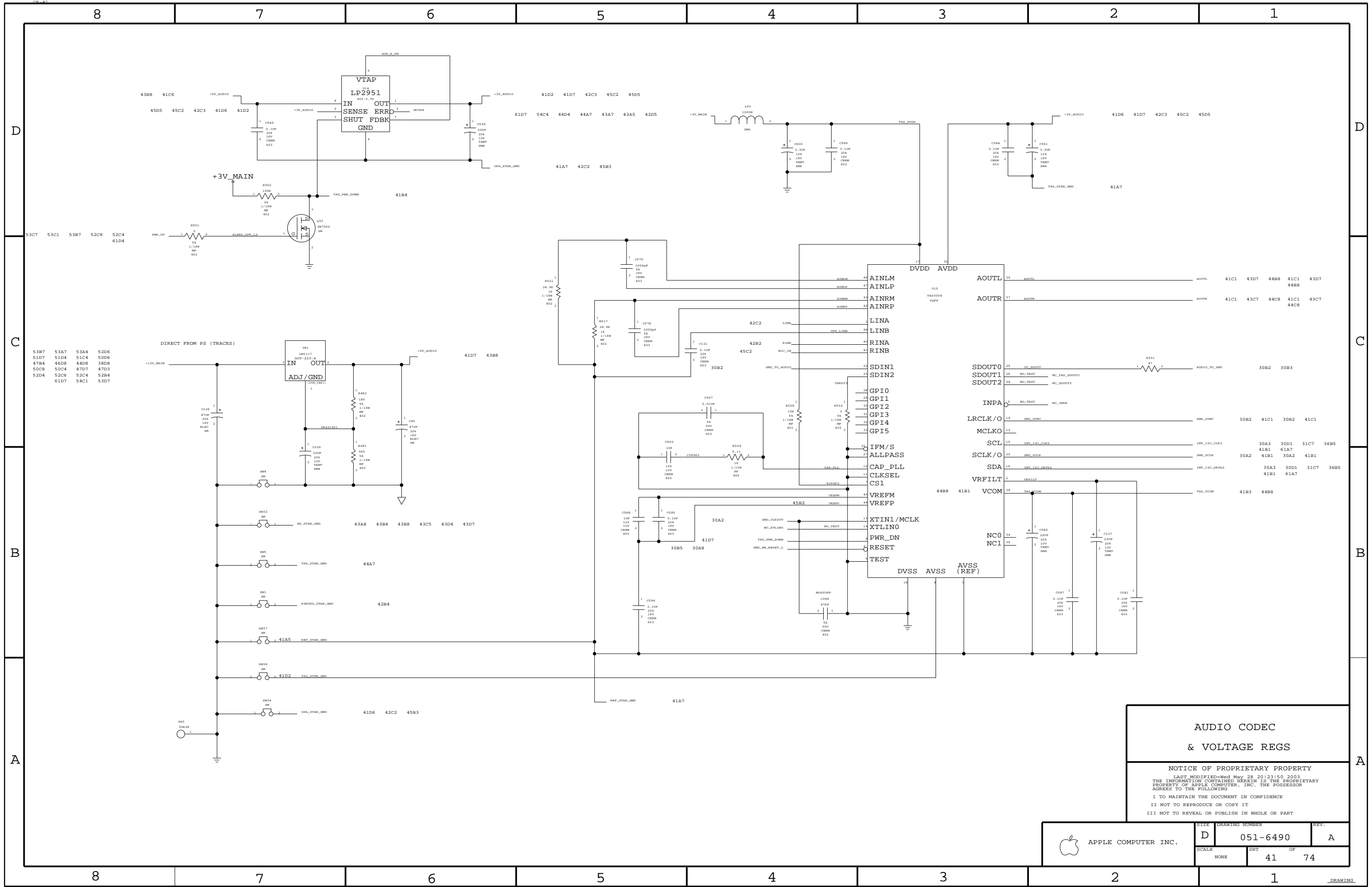
ATA-100 INTERFACE



CD/HD CONS

NOTICE OF PROPRIETARY PROPERTY
LAST MODIFIED: Wed May 28 20:23:49 2003
PROPERTY OF APPLE COMPUTER, INC. THE PROPRIETARY
PROPERTY OF APPLE COMPUTER, INC. THE POSSESSOR
AGREES TO THE FOLLOWING
I TO MAINTAIN THE DOCUMENT IN CONFIDENCE
II NOT TO REPRODUCE OR COPY IT
III NOT TO REVEAL OR PUBLISH IN WHOLE OR PART

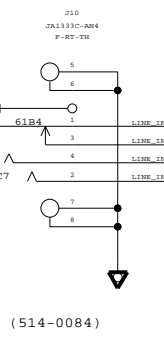
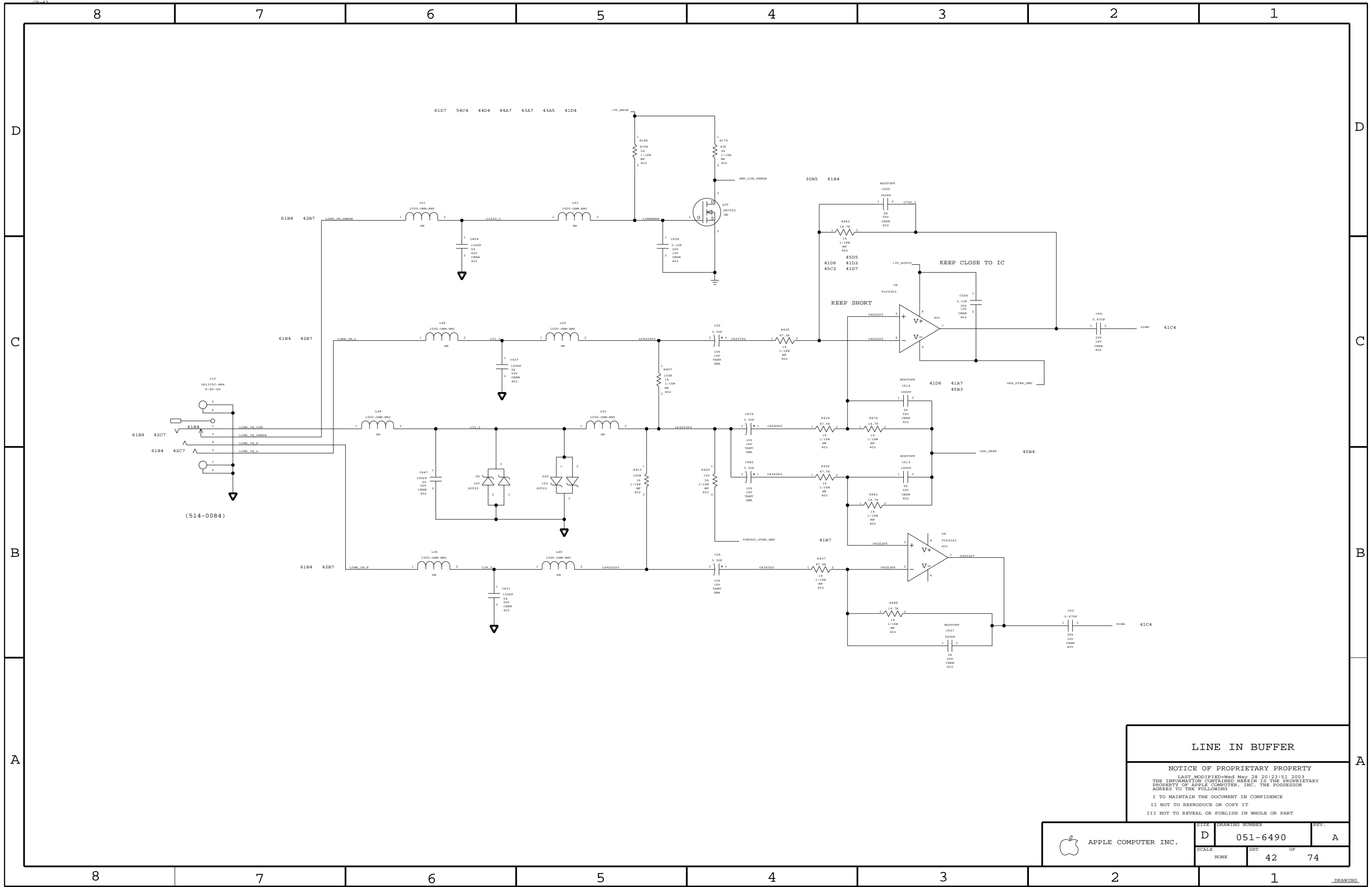
APPLE COMPUTER INC.	SIZE	DRAWING NUMBER	REV.
	D	051-6490	A
SCALE	SHT	OF	
NONE	40	74	



**AUDIO CODEC
& VOLTAGE REGS**

NOTICE OF PROPRIETARY PROPERTY
 LAST MODIFIED=Wed May 28 20:23:50 2003
 THE INFORMATION CONTAINED HEREIN IS THE PROPRIETARY
 PROPERTY OF APPLE COMPUTER, INC. THE POSSESSOR
 AGREES TO THE FOLLOWING
 I TO MAINTAIN THE DOCUMENT IN CONFIDENCE
 II NOT TO REPRODUCE OR COPY IT
 III NOT TO REVEAL OR PUBLISH IN WHOLE OR PART

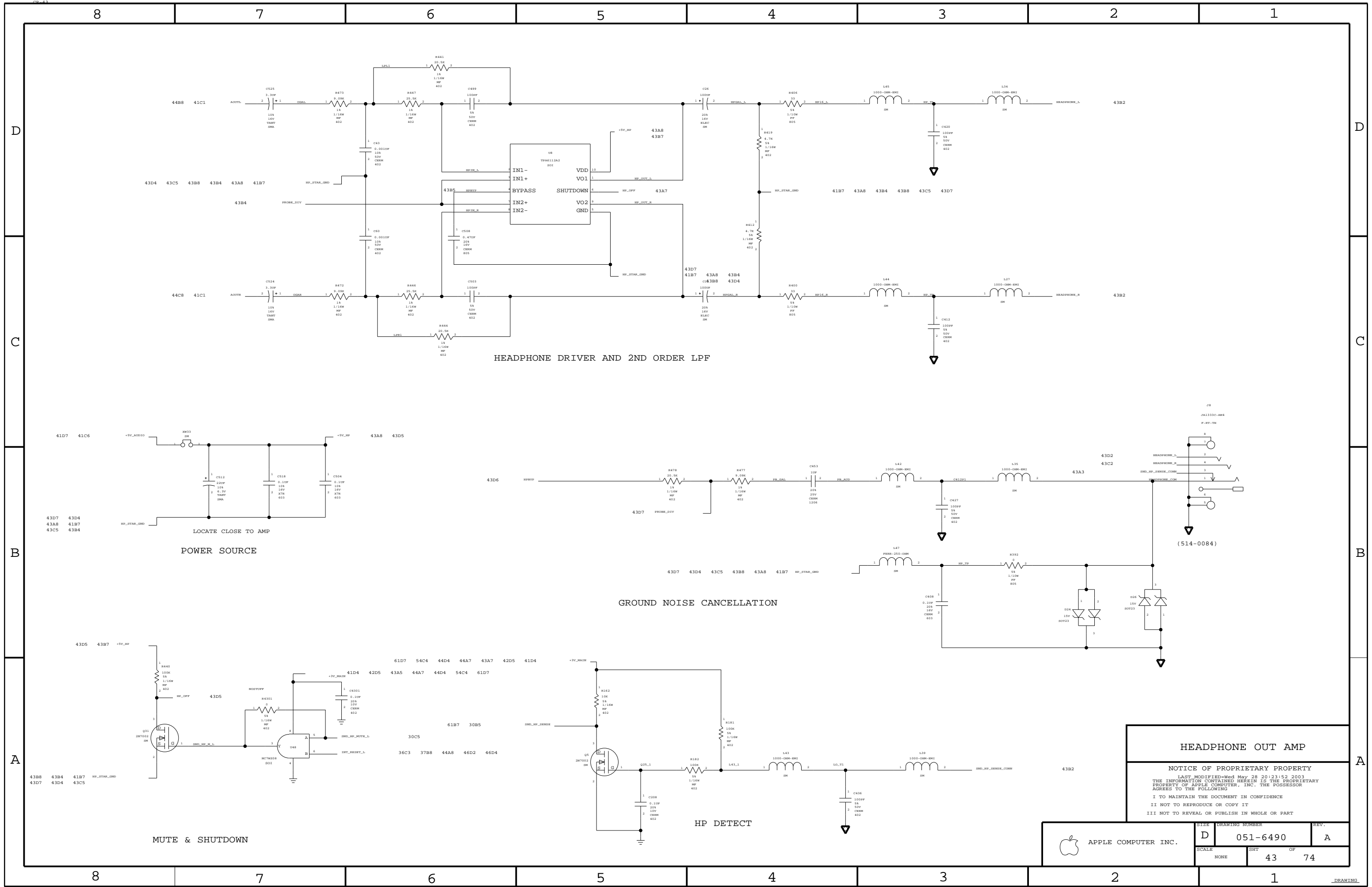
APPLE COMPUTER INC.	SIZE D	DRAWING NUMBER 051-6490	REV. A
	SCALE NONE	SHEET 41	OF 74



LINE IN BUFFER

NOTICE OF PROPRIETARY PROPERTY
 LAST MODIFIED=Wed May 28 20:23:51 2003
 THE INFORMATION CONTAINED HEREIN IS THE PROPRIETARY
 PROPERTY OF APPLE COMPUTER, INC. THE POSSESSOR
 AGREES TO THE FOLLOWING
 I TO MAINTAIN THE DOCUMENT IN CONFIDENCE
 II NOT TO REPRODUCE OR COPY IT
 III NOT TO REVEAL OR PUBLISH IN WHOLE OR PART

	DRAWING NUMBER		REV.
	D	051-6490	A
SCALE		SHT OF	
NONE		42 74	



HEADPHONE DRIVER AND 2ND ORDER LPF

POWER SOURCE

GROUND NOISE CANCELLATION

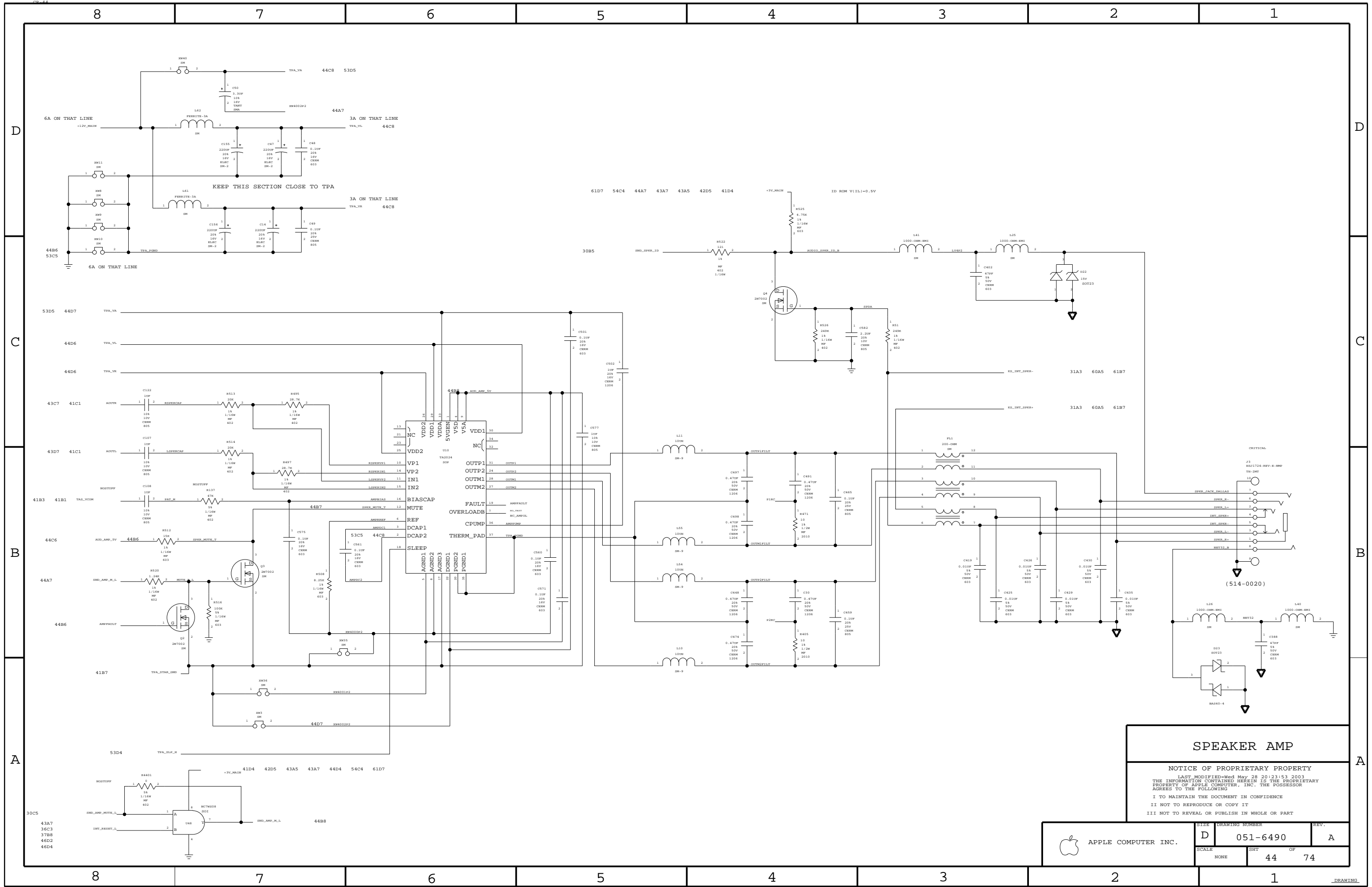
MUTE & SHUTDOWN

HP DETECT

HEADPHONE OUT AMP

NOTICE OF PROPRIETARY PROPERTY
 LAST MODIFIED: Wed May 28 20:23:52 2003
 THE INFORMATION CONTAINED HEREIN IS THE PROPRIETARY PROPERTY OF APPLE COMPUTER, INC. THE POSSESSOR AGREES TO THE FOLLOWING:
 I TO MAINTAIN THE DOCUMENT IN CONFIDENCE
 II NOT TO REPRODUCE OR COPY IT
 III NOT TO REVEAL OR PUBLISH IN WHOLE OR PART

APPLE COMPUTER INC.	SIZE	DRAWING NUMBER	REV.
	D	051-6490	A
SCALE	NONE	SHT	OF
		43	74

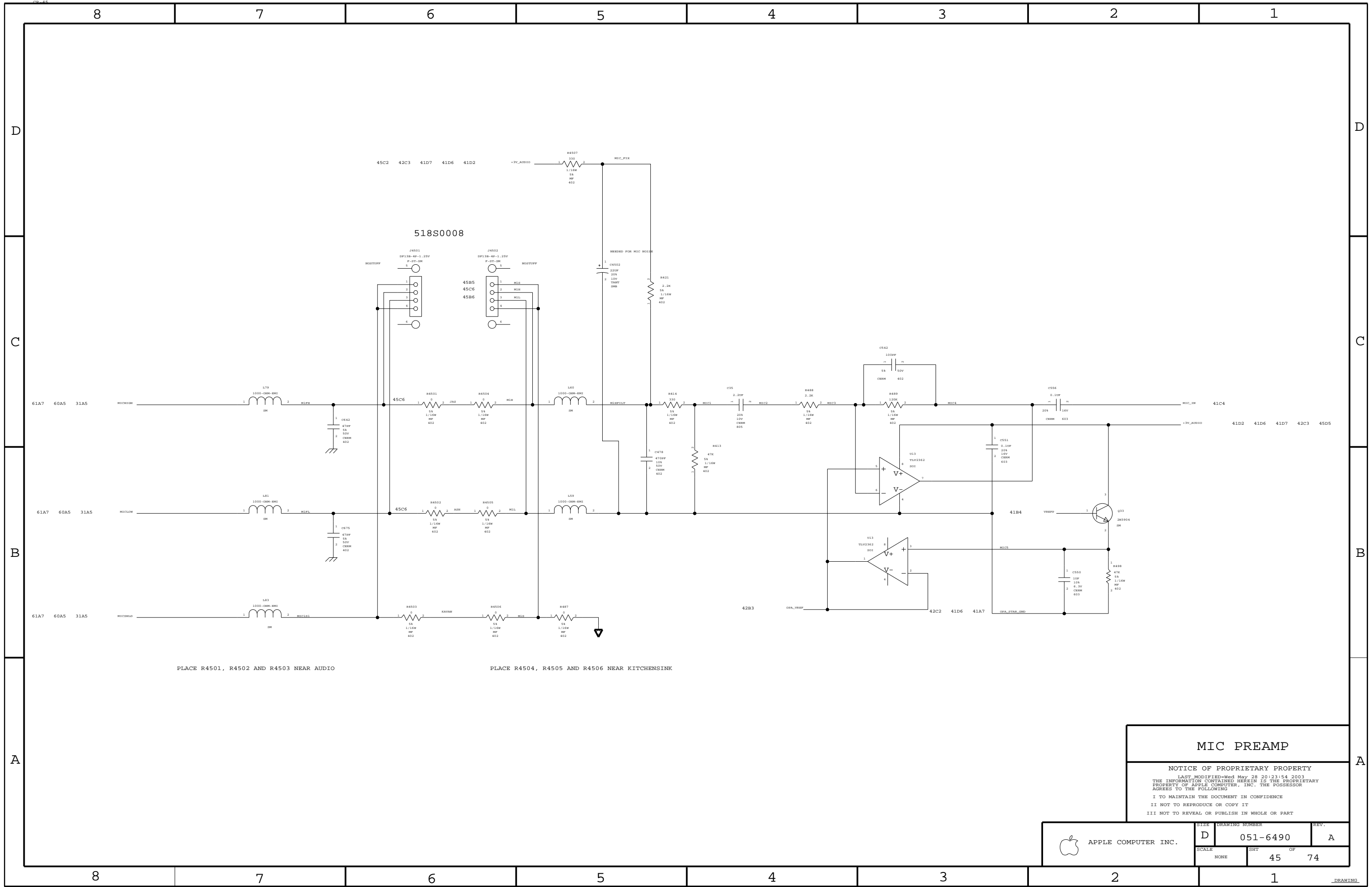


SPEAKER AMP

NOTICE OF PROPRIETARY PROPERTY
 LAST MODIFIED: Wed May 28 20:23:53 2003
 THE INFORMATION CONTAINED HEREIN IS THE PROPRIETARY PROPERTY OF APPLE COMPUTER, INC. THE POSSESSOR AGREES TO THE FOLLOWING:
 I TO MAINTAIN THE DOCUMENT IN CONFIDENCE
 II NOT TO REPRODUCE OR COPY IT
 III NOT TO REVEAL OR PUBLISH IN WHOLE OR PART

APPLE COMPUTER INC.	DRAWING NUMBER 051-6490	REV. A
	SCALE NONE	SHEET OF 44 OF 74

- 43A7
- 36C3
- 37B8
- 46D2
- 46D4




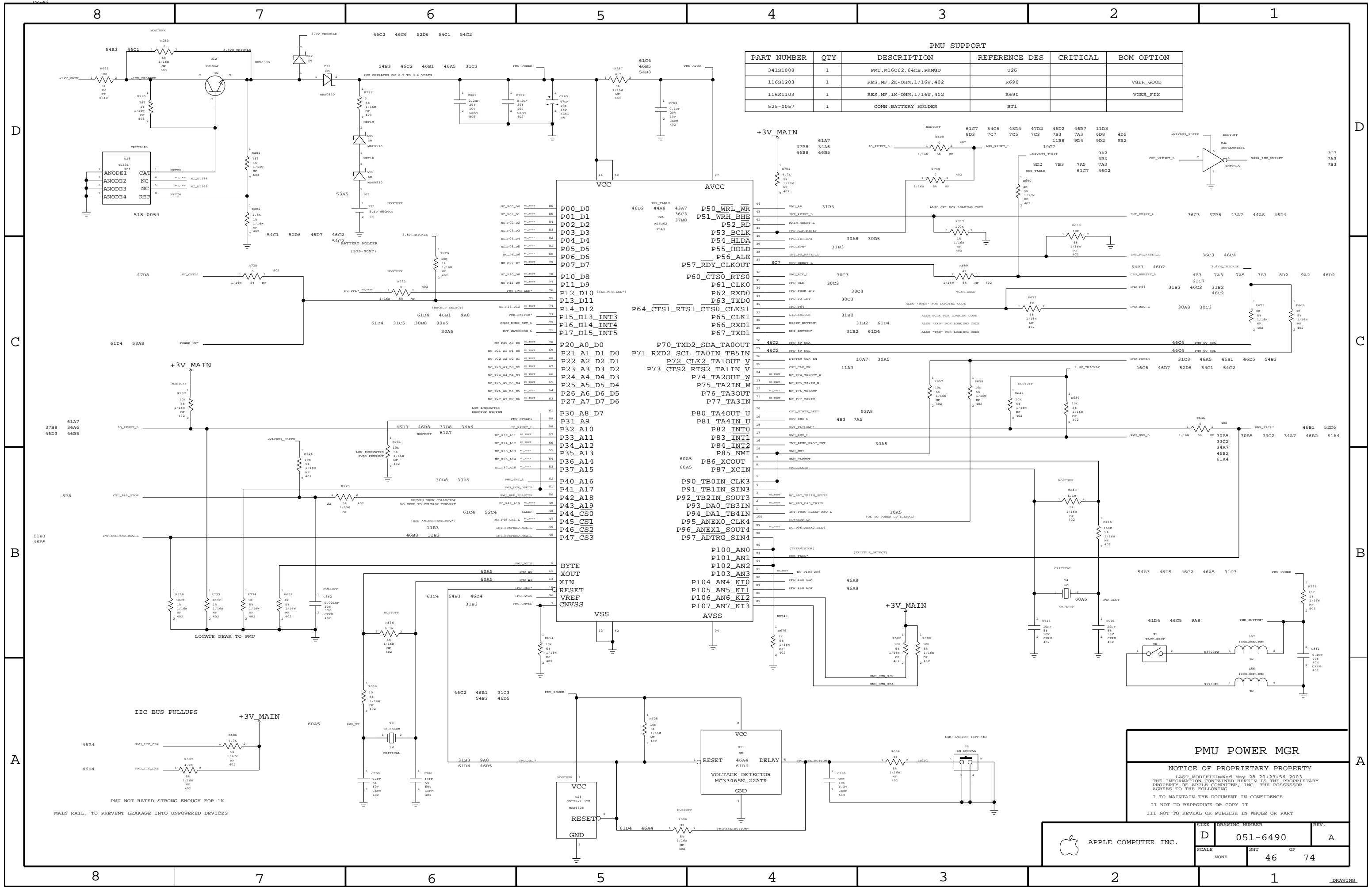
PLACE R4501, R4502 AND R4503 NEAR AUDIO

PLACE R4504, R4505 AND R4506 NEAR KITCHENSINK

MIC PREAMP

NOTICE OF PROPRIETARY PROPERTY
 LAST MODIFIED=Wed May 28 20:23:54 2003
 THE INFORMATION CONTAINED HEREIN IS THE PROPRIETARY
 PROPERTY OF APPLE COMPUTER, INC. THE POSSESSOR
 AGREES TO THE FOLLOWING
 I TO MAINTAIN THE DOCUMENT IN CONFIDENCE
 II NOT TO REPRODUCE OR COPY IT
 III NOT TO REVEAL OR PUBLISH IN WHOLE OR PART

 APPLE COMPUTER INC.	SIZE	DRAWING NUMBER	REV.
	D	051-6490	A
SCALE	SHT	OF	
NONE	45	74	



PMU SUPPORT

PART NUMBER	QTY	DESCRIPTION	REFERENCE DES	CRITICAL	BOM OPTION
341S1008	1	PMU_M16C62, 64KB, PRMGD	U26		
116S1203	1	RES, MF, 2K-OHM, 1/16W, 402	R690		VGER_GOOD
116S1103	1	RES, MF, 1K-OHM, 1/16W, 402	R690		VGER_FIX
525-0057	1	CONN, BATTERY HOLDER	BT1		

- MC_P00_D0 MC_P00_D1 MC_P00_D2 MC_P00_D3 MC_P00_D4 MC_P00_D5 MC_P00_D6 MC_P00_D7 MC_P10_D8 MC_P10_D9 MC_P10_D10 MC_P10_D11 MC_P10_D12 MC_P10_D13 MC_P10_D14 MC_P10_D15 MC_P20_A0_D0 MC_P20_A1_D1_D0 MC_P20_A2_D2_D1 MC_P20_A3_D3_D2 MC_P20_A4_D4_D3 MC_P20_A5_D5_D4 MC_P20_A6_D6_D5 MC_P20_A7_D7_D6 MC_P30_A8_D7 MC_P30_A9 MC_P30_A10 MC_P30_A11 MC_P30_A12 MC_P30_A13 MC_P30_A14 MC_P30_A15 MC_P40_A16 MC_P40_A17 MC_P40_A18 MC_P40_A19 MC_P40_CS0 MC_P40_CS1 MC_P40_CS2 MC_P40_CS3 MC_P50_WRL_WR MC_P50_WRH_BHE MC_P52_RD MC_P53_CLKL MC_P54_HLDA MC_P55_HOLD MC_P56_ALE MC_P57_RDY_CLKOUT MC_P60_CTS0_RTS0 MC_P61_CLK0 MC_P62_RXD0 MC_P63_TXD0 MC_P64_CTS1_RTS1_CTS0_CLKS1 MC_P65_CLK1 MC_P66_RXD1 MC_P67_TXD1 MC_P70_TXD2_SDA_TAOOUT MC_P71_RXD2_SCL_TA0IN_TB5IN MC_P72_CLK2_TAOOUT_V MC_P73_CTS2_RTS2_TA1IN_V MC_P74_TA2OUT_W MC_P75_TA2IN_W MC_P76_TA3OUT MC_P77_TA3IN MC_P80_TA4OUT_U MC_P81_TA4IN_U MC_P82_INT0 MC_P83_INT1 MC_P84_INT2 MC_P85_NMI MC_P86_XCOUT MC_P87_XCIN MC_P90_TB0IN_CLK3 MC_P91_TB1IN_SIN3 MC_P92_TB2IN_SOUT3 MC_P93_DA0_TB3IN MC_P94_DA1_TB4IN MC_P95_ANEX0_CLK4 MC_P96_ANEX1_SOUT4 MC_P97_ADTRG_SIN4 MC_P100_AN0 MC_P101_AN1 MC_P102_AN2 MC_P103_AN3 MC_P104_AN4_KI0 MC_P105_AN5_KI1 MC_P106_AN6_KI2 MC_P107_AN7_KI3

PMU POWER MGR

NOTICE OF PROPRIETARY PROPERTY
 LAST MODIFIED: Wed May 28 20:23:56 2003
 THE INFORMATION CONTAINED HEREIN IS THE PROPRIETARY PROPERTY OF APPLE COMPUTER, INC. THE POSSESSOR AGREES TO THE FOLLOWING:
 I TO MAINTAIN THE DOCUMENT IN CONFIDENCE
 II NOT TO REPRODUCE OR COPY IT
 III NOT TO REVEAL OR PUBLISH IN WHOLE OR PART

DRAWING NUMBER	051-6490	REV.	A
	SCALE		SHT

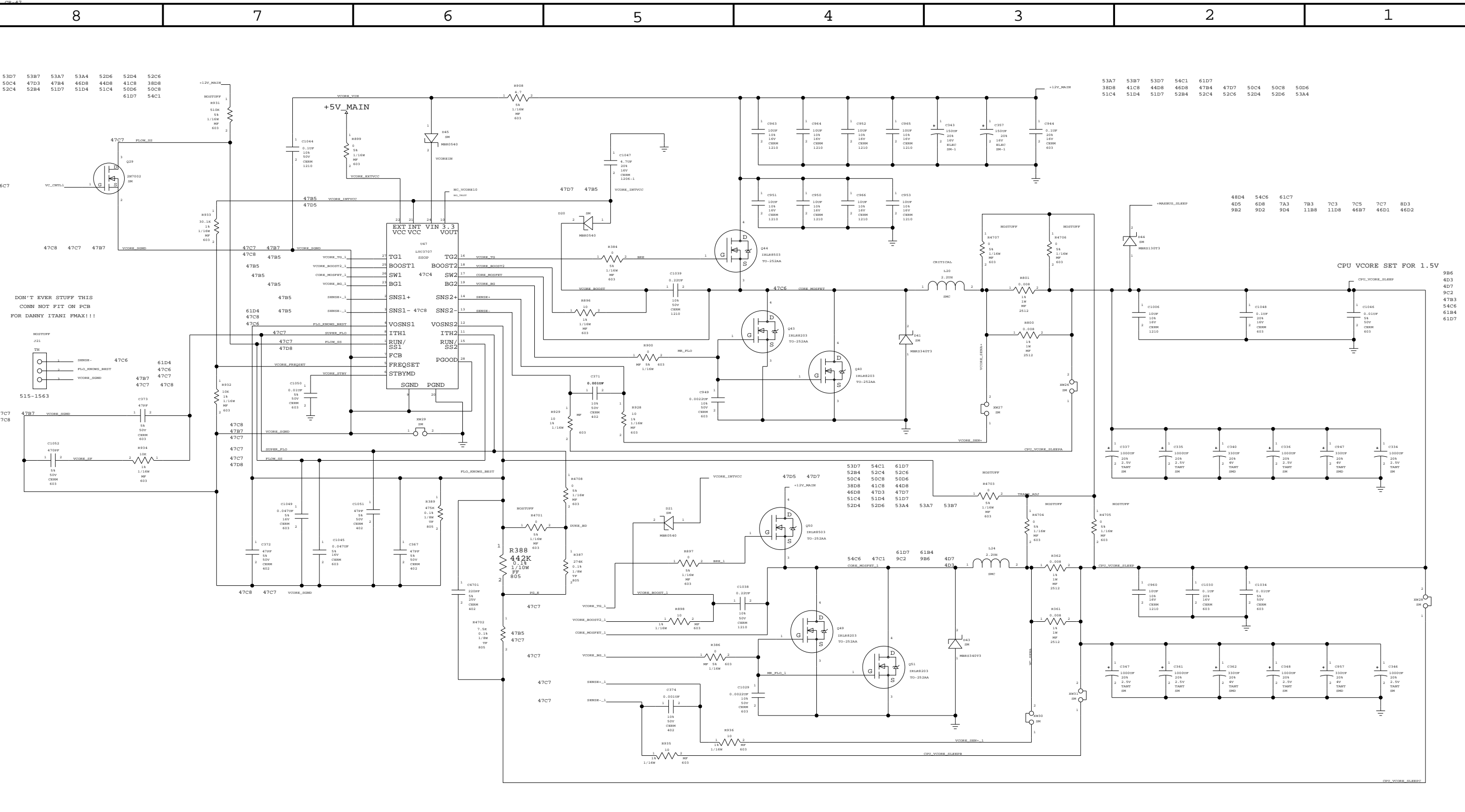


APPLE COMPUTER INC.

PMU NOT RATED STRONG ENOUGH FOR 1K MAIN RAIL, TO PREVENT LEAKAGE INTO UNPOWERED DEVICES

IIC BUS PULLUPS

LOCATE NEAR TO PMU

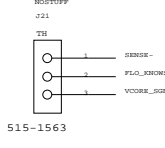


53D7 53B7 53A7 53A4 52D6 52D4 52C6
 50C4 47D3 47B4 46D8 44D8 41C8 38D8
 52C4 52B4 51D7 51D4 51C4 61D7 54C1

53A7 53B7 53D7 54C1 61D7
 38D8 41C8 44D8 46D8 47B4 47D7 50C4 50C8 50D6
 51C4 51D4 51D7 52B4 52C4 52C6 52D4 52D6 53A4

48D4 54C6 61C7 7B3 7C3 7C5 7C7 8D3
 9B2 9D2 9D4 11B8 11D8 46B7 46D1 46D2

DON'T EVER STUFF THIS
 CONN NOT FIT ON PCB
 FOR DANNY ITANI PMAX!!!



CPU VCORE SET FOR 1.5V

KUMA SERVER(1):HARDWARE:KUMA DESIGNS:KUMA POWER SUPPLIES:VCORE WITH AVP TABLES

CPU & AGP VREGS

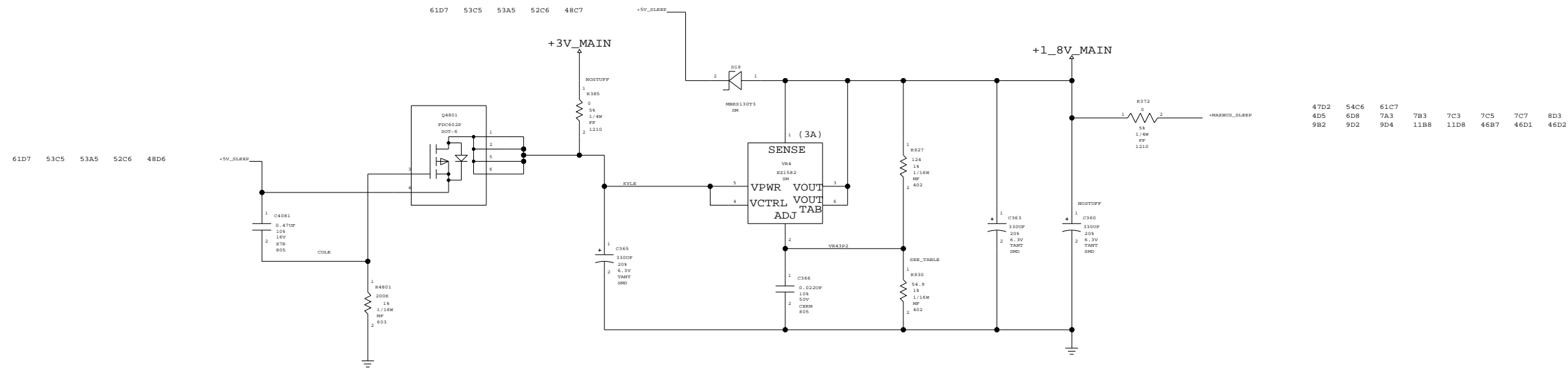
NOTICE OF PROPRIETARY PROPERTY
 LAST MODIFIED:Wed May 28 20:23:57 2003
 THE INFORMATION CONTAINED HEREIN IS THE PROPRIETARY
 PROPERTY OF APPLE COMPUTER, INC. THE POSSESSOR
 AGREES TO THE FOLLOWING
 I TO MAINTAIN THE DOCUMENT IN CONFIDENCE
 II NOT TO REPRODUCE OR COPY IT
 III NOT TO REVEAL OR PUBLISH IN WHOLE OR PART

PART NUMBER	ALTERNATE FOR PART NUMBER	REFERENCE DESIGNATOR(S)	DESCRIPTION	BOM OPTION
128S0018	128S0012	C340,C362,C947,C957	330UF, 2.5V,TANT	

APPLE COMPUTER INC.

SIZE	D	DRAWING NUMBER	051-6490	REV.	A
SCALE	NONE	SHT	47	OF	74

INTREPID MAXBUS & CPU OVDD POWER CONVERTER
(OFF DURING SLEEP)

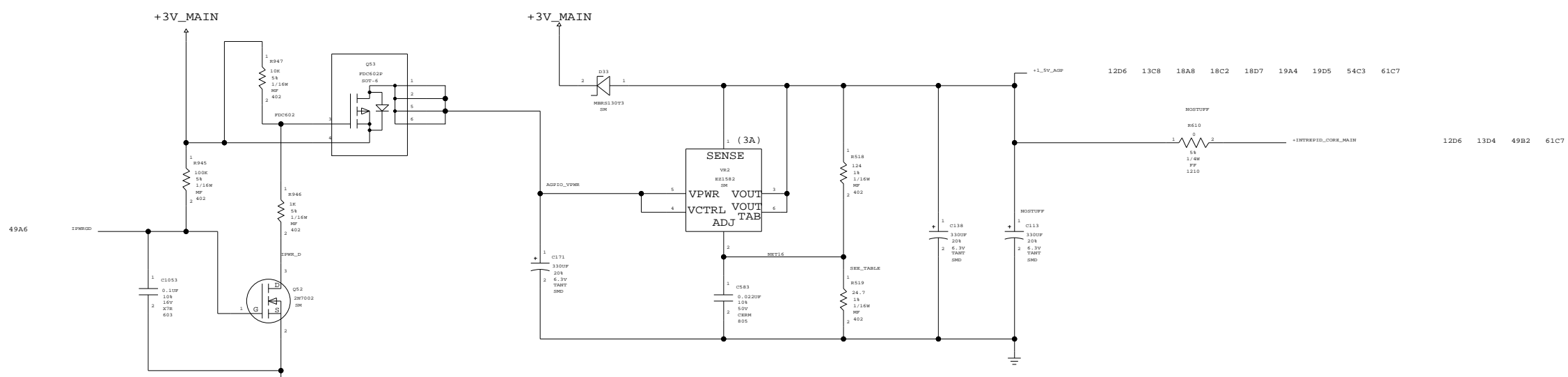


47D2 54C6 61C7
4D5 6D8 7A3 7B3 7C3 7C5 7C7 8D3
9B2 9D2 9D4 11B8 11D8 46B7 46D1 46D2

MAXBUS I/O SUPPLY SUPPORT

PART NUMBER	QTY	DESCRIPTION	REFERENCE DES	CRITICAL	BOM OPTION
11482491	1	RES, FF, 24.9-OHM, 1%	R930		MAXIO_1'50V
11483481	1	RES, FF, 34.8-OHM, 1%	R930		MAXIO_1'65V
11484421	1	RES, FF, 44.2-OHM, 1%	R930		MAXIO_1'70V
11485491	1	RES, FF, 54.9-OHM, 1%	R930		MAXIO_1'80V

AGP I/O POWER CONVERTER



AGP I/O SUPPLY SUPPORT

PART NUMBER	QTY	DESCRIPTION	REFERENCE DES	CRITICAL	BOM OPTION
11482491	1	RES, FF, 24.9-OHM, 1%	R519		AGPIO_1'50V
11483481	1	RES, FF, 34.8-OHM, 1%	R519		AGPIO_1'65V
11484421	1	RES, FF, 44.2-OHM, 1%	R519		AGPIO_1'70V
11485491	1	RES, FF, 54.9-OHM, 1%	R519		AGPIO_1'80V

CPU & AGP VREGS

NOTICE OF PROPRIETARY PROPERTY

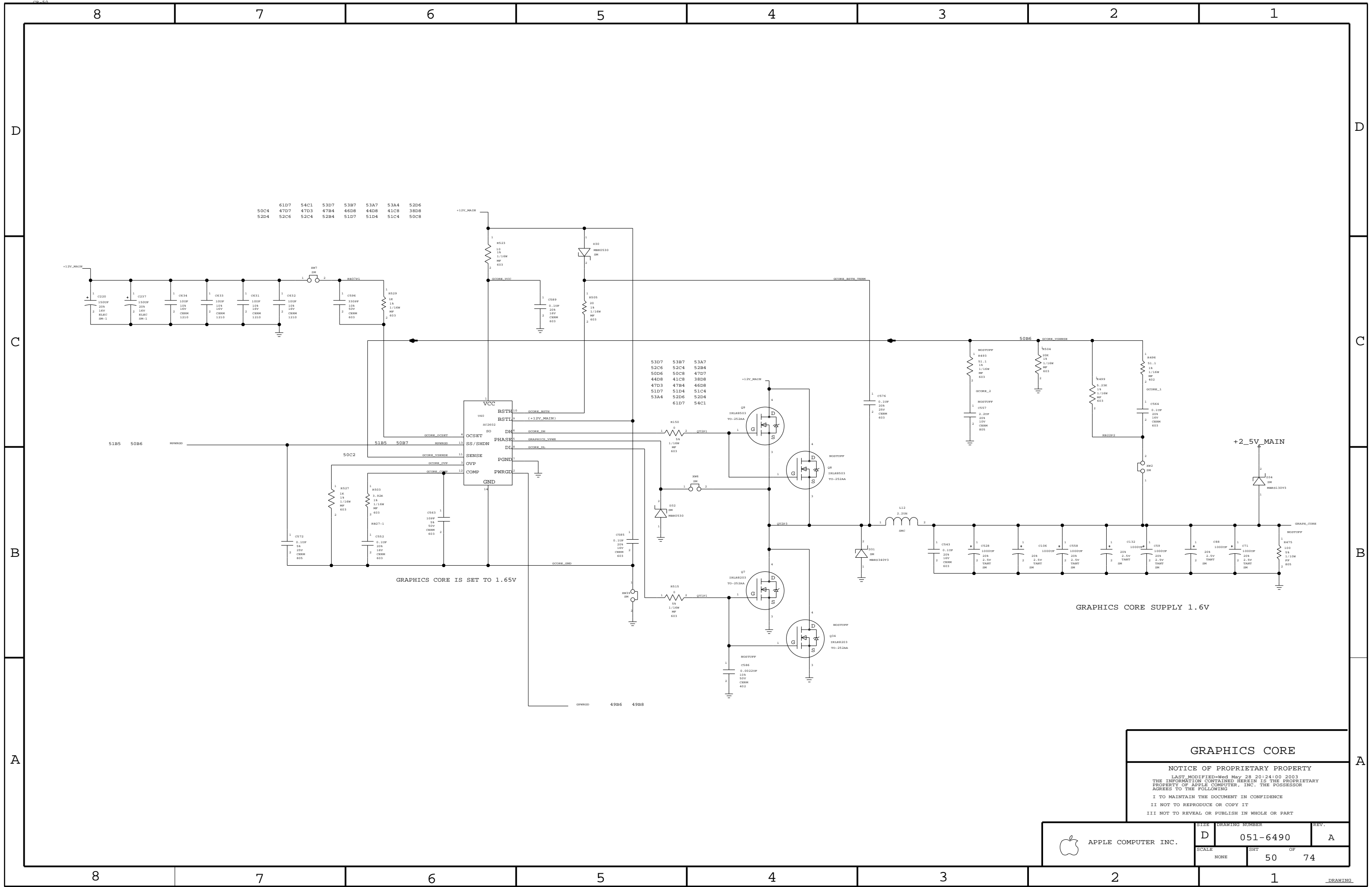
LAST MODIFIED: Wed May 28 20:23:58 2003
THE INFORMATION CONTAINED HEREIN IS THE PROPRIETARY PROPERTY OF APPLE COMPUTER, INC. THE POSSESSOR AGREES TO THE FOLLOWING

I TO MAINTAIN THE DOCUMENT IN CONFIDENCE
II NOT TO REPRODUCE OR COPY IT
III NOT TO REVEAL OR PUBLISH IN WHOLE OR PART

APPLE COMPUTER INC.

SIZE: D DRAWING NUMBER: 051-6490 REV: A

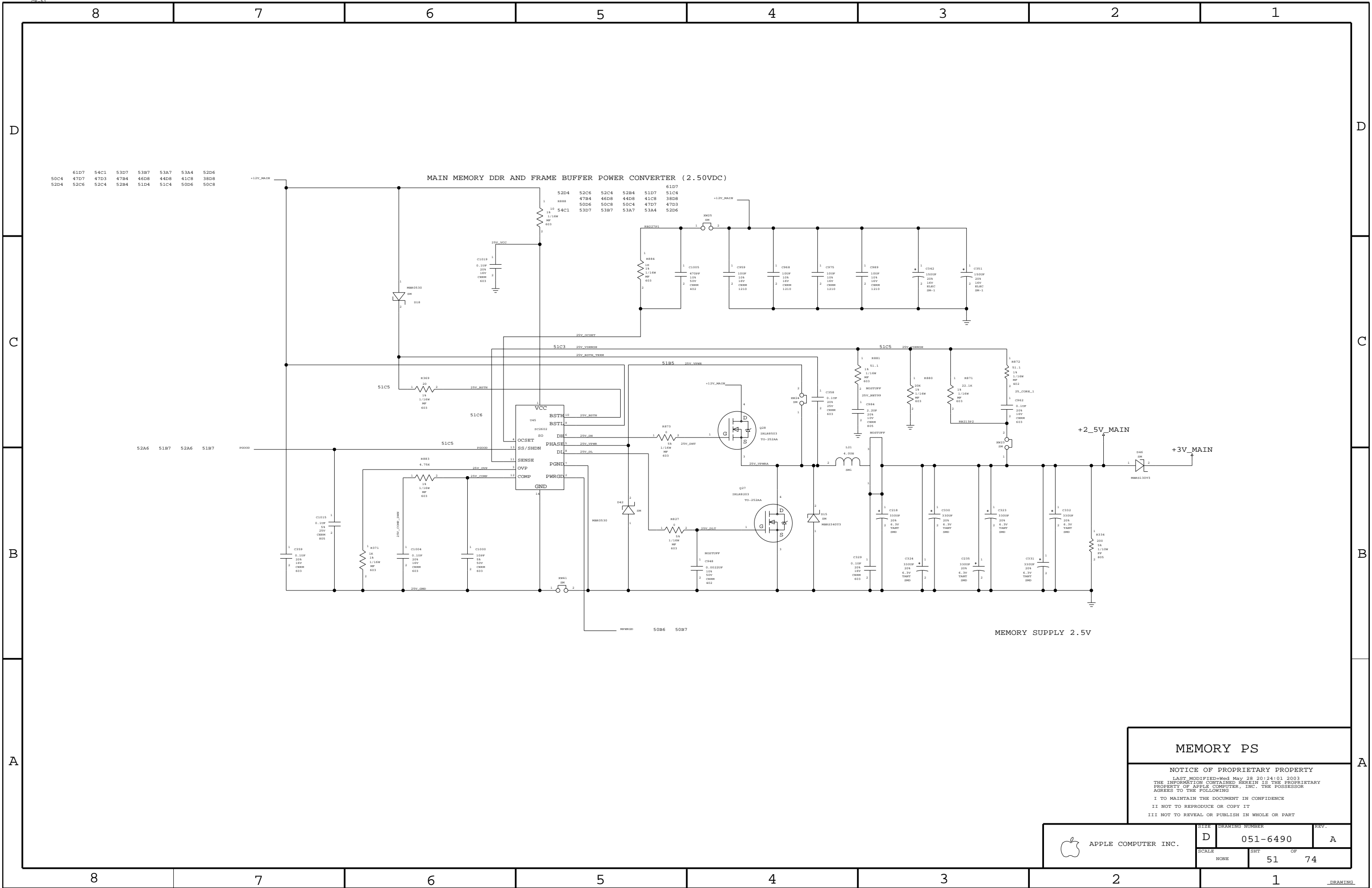
SCALE: NONE SHEET: 48 OF 74



GRAPHICS CORE

NOTICE OF PROPRIETARY PROPERTY
 LAST MODIFIED=Wed May 28 20:24:00 2003
 THE INFORMATION CONTAINED HEREIN IS THE PROPRIETARY
 PROPERTY OF APPLE COMPUTER, INC. THE POSSESSOR
 AGREES TO THE FOLLOWING
 I TO MAINTAIN THE DOCUMENT IN CONFIDENCE
 II NOT TO REPRODUCE OR COPY IT
 III NOT TO REVEAL OR PUBLISH IN WHOLE OR PART

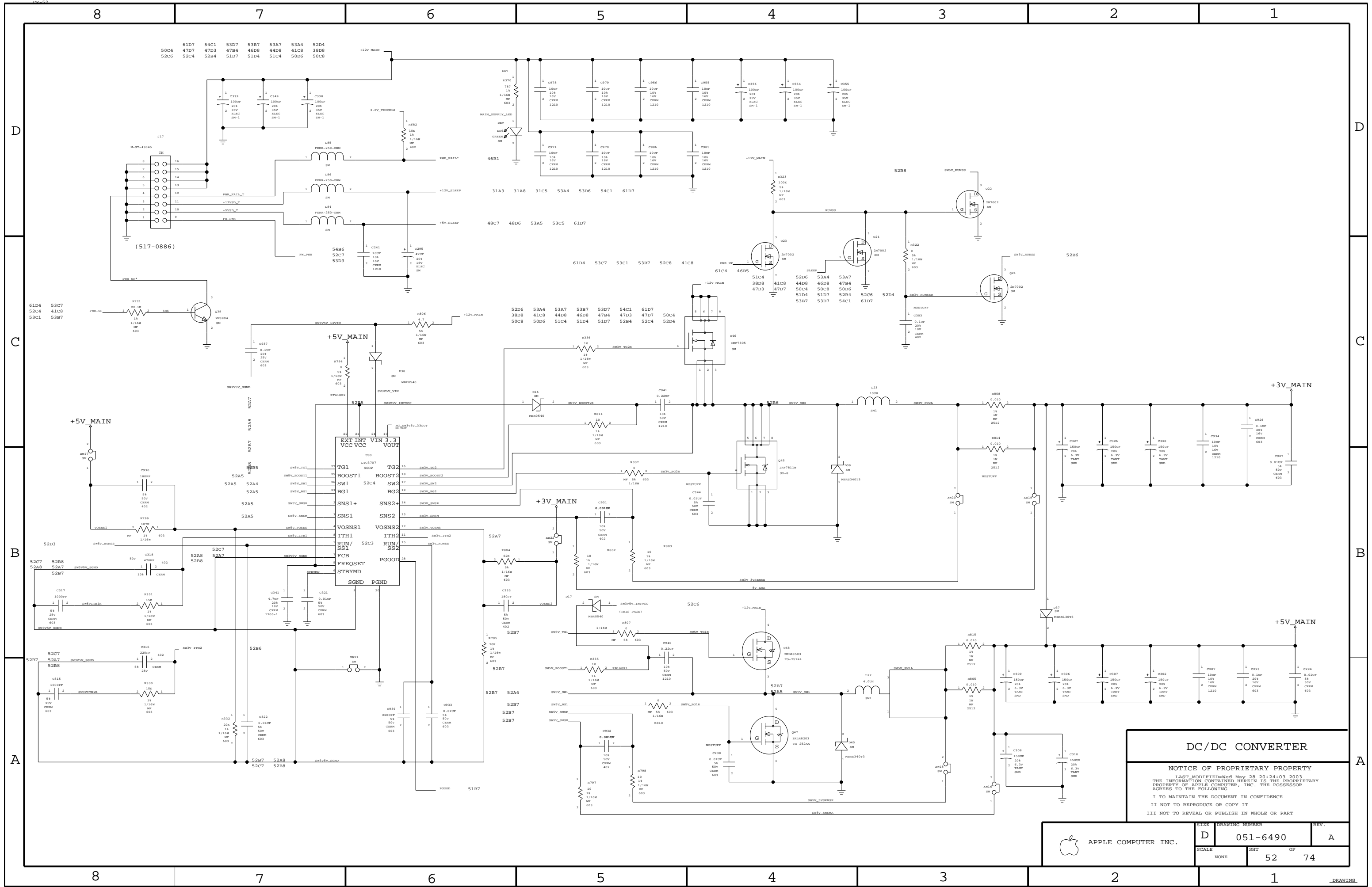
APPLE COMPUTER INC.	SIZE D	DRAWING NUMBER 051-6490	REV. A
	SCALE NONE	SHEET 50	OF 74



MEMORY PS

NOTICE OF PROPRIETARY PROPERTY
 LAST MODIFIED=Wed May 28 20:24:01 2003
 THE INFORMATION CONTAINED HEREIN IS THE PROPRIETARY
 PROPERTY OF APPLE COMPUTER, INC. THE POSSESSOR
 AGREES TO THE FOLLOWING
 I TO MAINTAIN THE DOCUMENT IN CONFIDENCE
 II NOT TO REPRODUCE OR COPY IT
 III NOT TO REVEAL OR PUBLISH IN WHOLE OR PART

APPLE COMPUTER INC.	<small>SIZE</small> D	<small>DRAWING NUMBER</small> 051-6490	<small>REV.</small> A
	<small>SCALE</small> NONE	<small>SHT</small> 51	<small>OF</small> 74

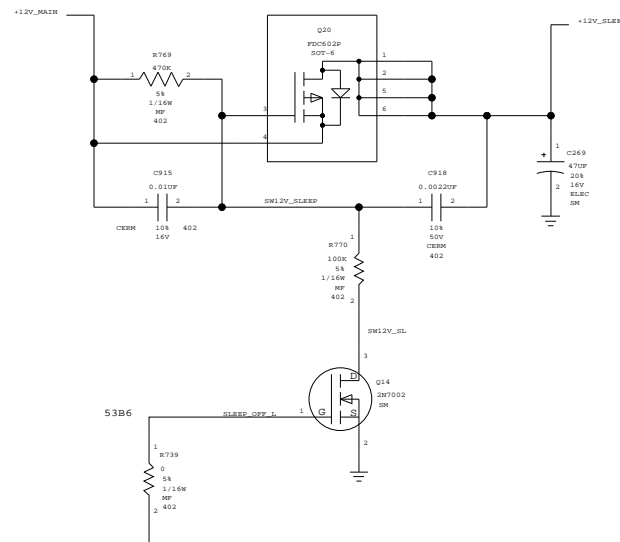


DC/DC CONVERTER

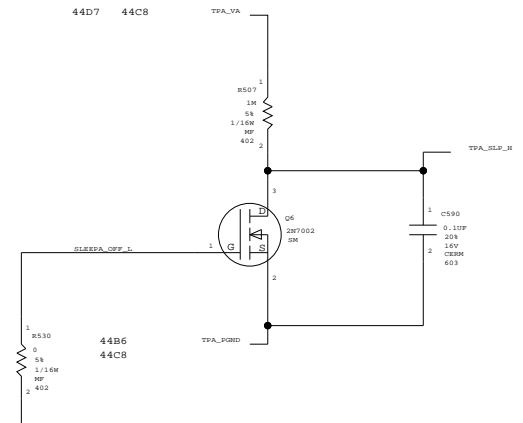
NOTICE OF PROPRIETARY PROPERTY
 LAST MODIFIED: Wed May 28 20:24:03 2003
 THE INFORMATION CONTAINED HEREIN IS THE PROPRIETARY
 PROPERTY OF APPLE COMPUTER, INC. THE POSSESSOR
 AGREES TO THE FOLLOWING:
 I TO MAINTAIN THE DOCUMENT IN CONFIDENCE
 II NOT TO REPRODUCE OR COPY IT
 III NOT TO REVEAL OR PUBLISH IN WHOLE OR PART

 APPLE COMPUTER INC.	DRAWING NUMBER 051-6490	REV. A
	SCALE NONE	SHEET 52

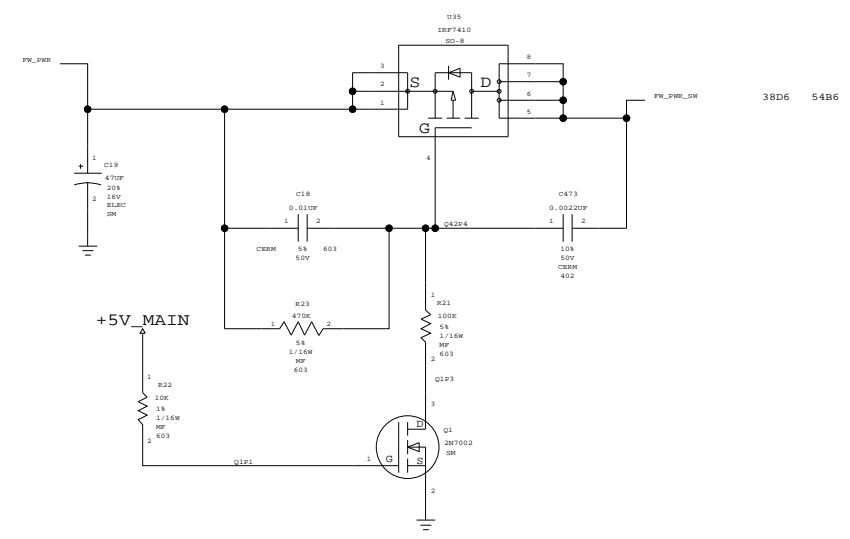
+12V MAIN POWER SWITCH
(OFF DURING SLEEP)



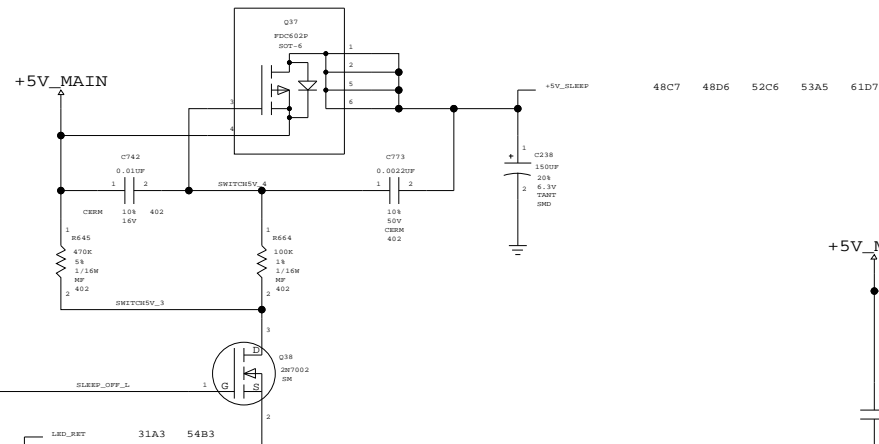
AUDIO SLEEP SWITCH
(OFF DURING SLEEP)



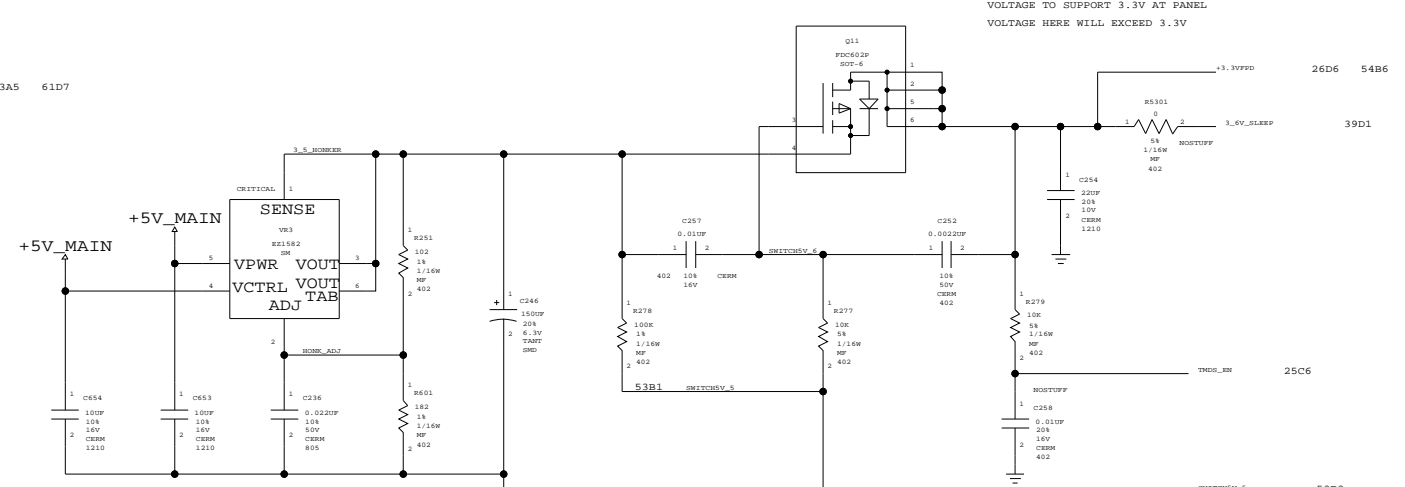
FIREWIRE POWER SWITCH



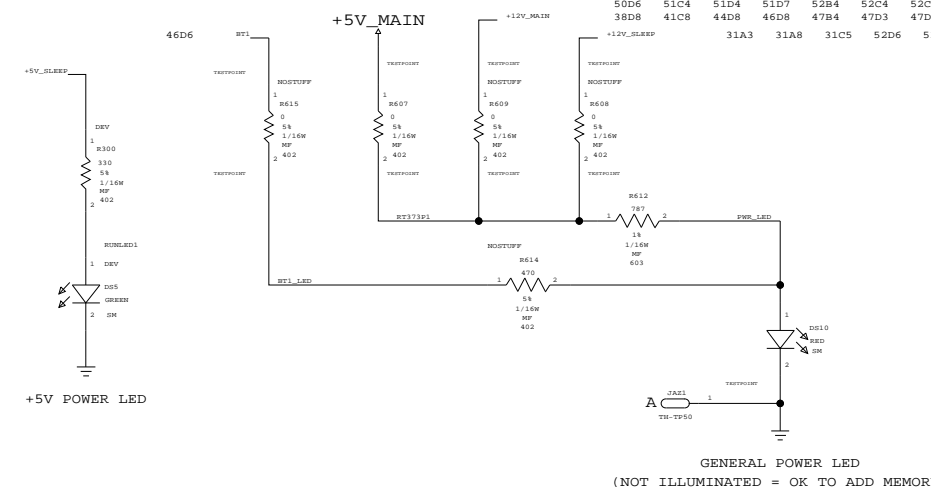
+5V POWER SWITCH
(OFF DURING SLEEP)



TMDS POWER CONVERTER & SWITCH
(OFF DURING SLEEP)



+5V POWER, SLEEP & TESTPOINT LEDS
(TESTPOINT LED IS USED FOR SERVICE AND IF NOT ILLUMINATED, TELLS USER ITS OK TO ADD MEMORY)



+5V/+12V, AUDIO FW & TMDS PWR

NOTICE OF PROPRIETARY PROPERTY
LAST MODIFIED=Wed May 28 20:24:04 2003
THE INFORMATION CONTAINED HEREIN IS THE PROPRIETARY PROPERTY OF APPLE COMPUTER, INC. THE POSSESSOR AGREES TO THE FOLLOWING:
I TO MAINTAIN THE DOCUMENT IN CONFIDENCE
II NOT TO REPRODUCE OR COPY IT
III NOT TO REVEAL OR PUBLISH IN WHOLE OR PART

APPLE COMPUTER INC.	SIZE	DRAWING NUMBER	REV.
	D	051-6490	A
SCALE		SHT	OF
NONE		53	74

CLOCK POWER CONSTRAINT TABLE

SIG_NAME	MIN_NECK_WIDTH	VOLTAGE	MIN_LINE_WIDTH
+1_SV_DDR_AVDD	10	2.5	20
+2_SV_DDR_VDD	10	2.5	20
+3V_INTFS_VDD	10	3.3	20
+3V_INTFS_VDD	10	3.3	20
PCK255_VDD2C	10	2.5	20

10D4
10D5
10B7
10B6
10D4

CPU POWER CONSTRAINT TABLE

SIG_NAME	MIN_NECK_WIDTH	VOLTAGE	MIN_LINE_WIDTH
+MAXRES_SLEEP	10	1.8	20
CPU_AVDD	10	1.85	20
CPU_VCORE_SLEEP	10	1.85	20

4D5 6D8 7A3 7B3 7C3 7C5 7C7 8D3 9B2 9D2 9D4
4D3 11B8 11D8 46B7 46D1 46D2 47D2 48D4 61C7
4D3 4D7 9B6 9C2 47B3 47C1 61B4 61D7

ETHERNET POWER CONSTRAINT TABLE

SIG_NAME	MIN_NECK_WIDTH	VOLTAGE	MIN_LINE_WIDTH
+1_SV_ERST	10	2.5	20

37C3 37D3 37D5

FIREWIRE POWER CONSTRAINT TABLE

SIG_NAME	MIN_NECK_WIDTH	VOLTAGE	MIN_LINE_WIDTH
FW_SIG_V	10	3.3	20
FW_DISK_OFFPASS_V	10	3.3	20
FW_P0	10	24	20
FW_P0_SW	10	24	20
FW_P0T_3_3	10	3.3	20
FW_V0B0	10	0	20
FW_V0	10	12	20
FW_V01	10	12	20
FW_V02	10	12	20
FW_V0_1	10	12	20
FW_V0_2	10	12	20

38B6
38B6 38B7
52C7 53D3
38D6 53D1
38B5 38B7 38D7
38D1
38D5
38D1 38D3
38C1 38D3
38D4
38D4

GRAPHICS POWER CONSTRAINT TABLE

SIG_NAME	MIN_NECK_WIDTH	VOLTAGE	MIN_LINE_WIDTH
+1_3VFPD	10	3.6	20
GA0VDD	10	3.3	20
GA0VDD	10	3.3	20
SDC_VCC_3	10	3.3	20
SDC_VCC_5	10	5	20
SDC_VREF	10	1.25	20
IFPDVCC	10	3.8	20
IFPDVREF	10	3.8	20
IFP_VDDH_VV	10	3.6	20
GPU_L0B_VREF	10	0.75	20
GPU_FB_VREF	10	1.25	20
GPUFB_VDD	10	1.6	20
GPUFB_VDD	10	3.3	20
GPUFB_VREF	10	1.25	20
GPUFB_VREF	10	1.25	20

26D6 53C1
24C5
24C4
26A5 26B3 61B7
27C4 61B7
16B2 16D1 16D8 17D8
25A6 25B4
25B4
26B3 26C3 26C4 26D5 61C7
19A3 19A8
20C8
19D5 25C4 25C6 50B1
24D5
22A3 22C4 22C8
23A3 23C4 23C8

GPU_AUXILL0	1.5	19A5
GPU_AUXILL0M	0	19A5
GPU_TRUCK	0	19A5
GPU_VDD0B0	0	24B4
VEPCF	0	24D4
GPU_L0BATT_5	3.3	39B7
EDGE_CHELP_1	0	40C6
EDGE_CHELP_5	5	40C6
EDGE_CHELP_2	0	40C2
UNREG_ATA0C16_5	5	40C2

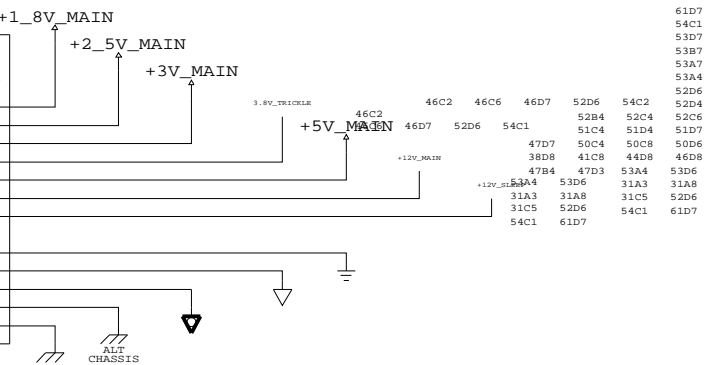
INTREPID POWER CONSTRAINT TABLE

SIG_NAME	MIN_NECK_WIDTH	VOLTAGE	MIN_LINE_WIDTH
+1_SV_INTREPID_PLL	10	1.5	20
+1_SV_INTREPID_PLL1	10	1.5	20
+1_SV_INTREPID_PLL2	10	1.5	20
+1_SV_INTREPID_PLL3	10	1.5	20
+1_SV_INTREPID_PLL4	10	1.5	20
+1_SV_INTREPID_PLL5	10	1.5	20
+1_SV_INTREPID_PLL6	10	1.5	20
+1_SV_INTREPID_PLL7	10	1.5	20
+1_SV_INTREPID_PLL8	10	1.5	20
+1_SV_A0P	10	1.5	20
INT_A0P_VREF	10	0.75	20

11D3 18D6 30D6 32D5
30C4
30D4
30D4
30D4
18D5
32D4
11D2
30D4
12D6 13C8 18A8 18C2 18D7 19A4 19D5 48B4 61C7
18A7 18C6

MAIN POWER CONSTRAINT TABLE

SIG_NAME	MIN_NECK_WIDTH	VOLTAGE	MIN_LINE_WIDTH
+1_8V_MAIN	10	1.8	20
+2_5V_MAIN	10	2.5	20
+3V_MAIN	10	3.3	20
3_8V_TRICKLE	10	3.8	20
+5V_MAIN	10	5	20
+12V_MAIN	10	12	20
+12V_SLEEP	10	12	20
0V0	10	0	20
AGND	10	0	20
ANALOGGND	10	0	20
ALTCGND	10	0	20
CHGND	10	0	20



PMU POWER CONSTRAINT TABLE

SIG_NAME	MIN_NECK_WIDTH	VOLTAGE	MIN_LINE_WIDTH
3_8V_TRICKLE	10	3.8	20
PMU_AVDD	10	3.5	20
PMU_POWER	10	3.5	20

46C1 46D7
46B5 46D4 61C4
31C3 46A5 46B1 46C2 46D5

SYSTEM POWER CONSTRAINT TABLE

SIG_NAME	MIN_NECK_WIDTH	VOLTAGE	MIN_LINE_WIDTH
+12V0_FILT	10	12	20
PMU_12V_FILT	10	12	20
ES0VDD	10	5	20
L0D_5V	10	5	20
L0D_5V_FILT	10	5	20
L0D_0V	10	0	20
L0D_0V_FILT	10	0	20

31A5
31A5 61C7
31A5 61A7
31A8
31A5 61A7
31A3 53B6
31A5 61A7

USB POWER CONSTRAINT TABLE

SIG_NAME	MIN_NECK_WIDTH	VOLTAGE	MIN_LINE_WIDTH
+3V_INTREPID_USB	10	3.3	20
USB_AVDD	10	3.3	20
USB_0V0	10	0	20
USB_PORT_P0	10	5	20
USB_P0	10	5	20
USB_P0_P0	10	0	20

30C4
34D5
35A4 35B3 35C3 35D3
35A4 35B3 35C3 35D3
61B4 27B5 27C2 27D3
35A6

POWER CONSTRAINTS

NOTICE OF PROPRIETARY PROPERTY
 LAST MODIFIED: Wed May 28 20:12:58 2003
 THE INFORMATION CONTAINED HEREIN IS THE PROPRIETARY PROPERTY OF APPLE COMPUTER, INC. THE POSSESSOR AGREES TO THE FOLLOWING:
 I TO MAINTAIN THE DOCUMENT IN CONFIDENCE
 II NOT TO REPRODUCE OR COPY IT
 III NOT TO REVEAL OR PUBLISH IN WHOLE OR PART

APPLE COMPUTER INC.	SIZE	DRAWING NUMBER	REV.
	D	051-6490	A
SCALE	NONE	SHEET	OF
		54	74

D
C
B
A

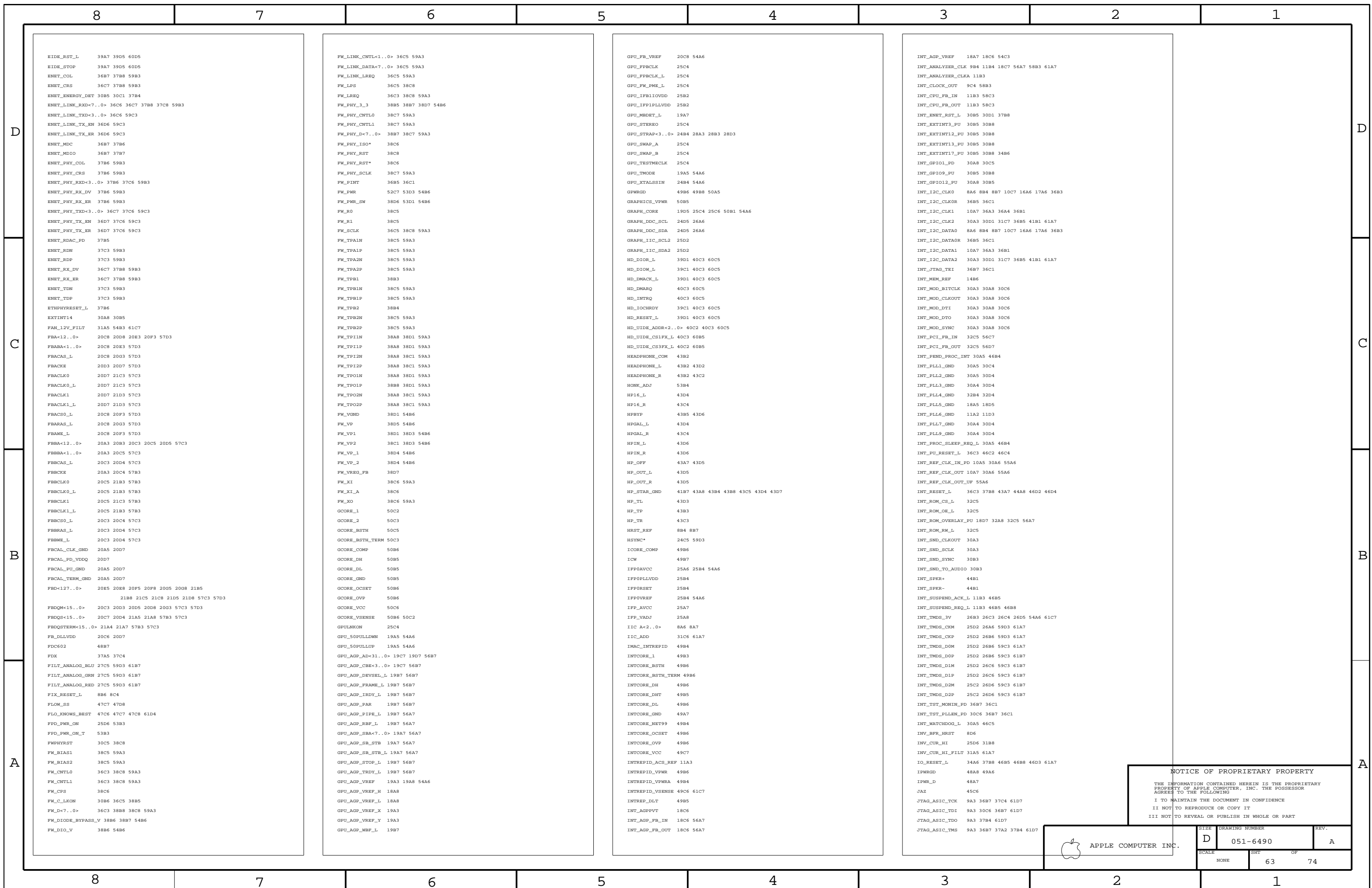
D
C
B
A

SIG_NAME	RATNEST_SCHEDULE	MATCHED_DELAY	MAX_VIAS	DELAY_RULE	STUB_LENGTH	NET_SPACING_TYPE	MAX_EXPOSED_LENGTH	DIFFERENTIAL_PAIR	PUNC_TEST	PULSE_PARAM
PCI_DEV0_S	MIN_DAISSY_CHAIN	6	6	::6000:8000	500					33 MHZ
PCI_DEV1_S	MIN_DAISSY_CHAIN	6	6	::6000:8000	500					33 MHZ
PCI_DEV2_S	MIN_DAISSY_CHAIN	6	6	::6000:8000	500					33 MHZ
PCI_DEV3_S	MIN_DAISSY_CHAIN	6	6	::6000:8000	500					33 MHZ
PCI_STOP_S	MIN_DAISSY_CHAIN	6	6	::6000:8000	500					33 MHZ
PCI_FAB	MIN_DAISSY_CHAIN	6	6	::6000:8000	500					33 MHZ
CLK33M_PCI_SLOT0_UP		3	3	::600:1000	200		450			33 MHZ
CLK33M_PCI_SLOT1_UP		3	3	::600:1200	200		450			33 MHZ
CLK33M_PCI_SLOT2_UP		3	3	::600:1000	200		450			33 MHZ
CLK33M_PCI_SLOT3_UP		5	5	::3000:4000	200	10 MIL SPACING	450			33 MHZ
INT_PCI_FB_OUT		4	4	::1:1000	200		450			33 MHZ
PCI_FB0_FB02		4	4	::1:200	200		450			33 MHZ
PCI_FB1_FB04		4	4	::1900:2000			450			33 MHZ
PCI_FB2_FB02		4	4	::1900:2000	200		450			33 MHZ
PCI_FB3_FB04		4	4	::2000:3000	200		450			33 MHZ
PCI_FB4_FB02		4	4	::5900:6000			450			33 MHZ
INT_PCI_FB_IN		4	4	::1:1080	200		450			33 MHZ
PCIY_AD0<1..0>		3	3	::1:1000						33 MHZ
PCIY_CBE0<31..0>		3	3	::1:1000						33 MHZ
PCIY_FRAME_S		3	3	::1:1000						33 MHZ
PCIY_TRDY_S		3	3	::1:1000						33 MHZ
PCIY_DEVSEL_S		3	3	::1:1000						33 MHZ
PCIY_STOP_S		3	3	::1:1000						33 MHZ
PCIY_FAB		3	3	::1:1000						33 MHZ
AGP_AD0<0..15>	AGP_GROUP0:::280	5	5	::1:4500						266 MHZ
AGP_CBE0<0..31>	AGP_GROUP0:::330	4	4	::1:4400	200	8 MIL SPACING	500	AGP_ADSTB0P0		133 MHZ
AGP_AD_STB0<0>	AGP_GROUP0:::330	4	4	::1:4400	200	8 MIL SPACING	500	AGP_ADSTB0P0		133 MHZ
AGP_AD16<0..31>	AGP_GROUP0:::280	5	5	::1:4500						266 MHZ
AGP_CBE2<0..31>	AGP_GROUP0:::280	5	5	::1:4500						266 MHZ
AGP_AD_STB1<0>	AGP_GROUP0:::280	4	4	::1:4400	200	8 MIL SPACING	500	AGP_ADSTB0P1		133 MHZ
AGP_AD_STB1<1>	AGP_GROUP0:::330	4	4	::1:4400	200	8 MIL SPACING	500	AGP_ADSTB0P1		133 MHZ
AGP_FRAME_S		5	5	::4000:4500						66 MHZ
AGP_TRDY_S		5	5	::4000:4500						66 MHZ
AGP_DEVSEL_S		5	5	::4000:4500						66 MHZ
AGP_STOP_S		5	5	::4000:4500						66 MHZ
AGP_FAB		5	5	::4000:4500						66 MHZ
AGP_SBA0<0..7>		5	5	::4000:4500						66 MHZ
AGP_SB_STB	AGP_GROUP99:::200	5	5	::1:4500				AGP_SBSTB0		66 MHZ
AGP_SB_STB_S	AGP_GROUP99:::200	5	5	::1:4500				AGP_SBSTB0		66 MHZ
AGP_ST0<0..2>		5	5	::4500:5000						66 MHZ
AGP_FIF0_S		5	5	::4000:4500						66 MHZ
AGP_REQ_S		5	5	::4000:4500						66 MHZ
AGP_OUT_S		5	5	::4500:5000						66 MHZ
AGP_BSY_S		5	5	::4000:4500						66 MHZ
AGP_BSY_S		5	5	::4500:5000						66 MHZ
STOP_AGP_S		5	5	::4500:5000						66 MHZ
GPU_AGP_AD0<0..15>	GPU_AGP_GROUP0:::100	3	3	::1:600						266 MHZ
GPU_AGP_CBE0<0..31>	GPU_AGP_GROUP0:::100	3	3	::1:600						266 MHZ
GPU_AD_STB0<0>	GPU_AGP_STB0:::150	3	3	::1:450		8 MIL SPACING	500	GPU_ADSTB0P0		133 MHZ
GPU_AD_STB0<1>	GPU_AGP_STB0:::150	3	3	::1:800		8 MIL SPACING	500	GPU_ADSTB0P0		133 MHZ
GPU_AGP_AD16<0..31>	GPU_AGP_GROUP1:::100	3	3	::1:600						266 MHZ
GPU_AGP_CBE2<0..31>	GPU_AGP_GROUP1:::100	3	3	::1:600						266 MHZ
GPU_AD_STB1<0>	GPU_AGP_STB1:::150	3	3	::1:800		8 MIL SPACING	500	GPU_ADSTB0P1		133 MHZ
GPU_AD_STB1<1>	GPU_AGP_STB1:::150	3	3	::1:800		8 MIL SPACING	500	GPU_ADSTB0P1		133 MHZ
GPU_AGP_FRAME_S		3	3	::1:300:600						66 MHZ
GPU_AGP_TRDY_S		3	3	::1:300:600						66 MHZ
GPU_AGP_DEVSEL_S		3	3	::1:300:600						66 MHZ
GPU_AGP_STOP_S		3	3	::1:300:600						66 MHZ
GPU_AGP_FAB		3	3	::1:300:600						66 MHZ
GPU_AGP_SBA0<0..7>		3	3	::1:300:600						66 MHZ
GPU_AGP_SB_STB	GPU_AGP_SBSTB:::150	3	3	::1:300:600				GPU_SBSTB0		66 MHZ
GPU_AGP_SB_STB_S	GPU_AGP_SBSTB:::150	3	3	::1:300:600				GPU_SBSTB0		66 MHZ
GPU_AGP_FIF0_S		3	3	::1:300:600						66 MHZ
GPU_AGP_REQ_S		3	3	::1:300:600						66 MHZ
CLK66M_GPU_AGP		4	4	::3700:3900	200	10 MIL SPACING	250			66 MHZ
INT_AGP_FB_OUT		4	4	::1400:1500	200		250			66 MHZ
AGP_FB0_FB04		4	4	::900:1080	200		250			66 MHZ
AGP_FB1_FB02		4	4	::1900:2000			250			66 MHZ
AGP_FB2_FB04		4	4	::1:200	200		250			66 MHZ
AGP_FB3_FB02		4	4	::1:200	200		250			66 MHZ
INT_AGP_FB_IN		4	4	::1:200	200		250			66 MHZ
INT_NOM_OVERLAY_PU		3	3	::600:800		10 MIL SPACING	250			66 MHZ
INT_ANALYZER_CLK		2	2	::1:2800		8 MIL SPACING	250			66 MHZ
CLK33M_PCI_SLOT4		4	4	::3000:3500	200	8 MIL SPACING	250			33 MHZ

SIGNAL CONSTRAINTS

NOTICE OF PROPRIETARY PROPERTY
 LAST MODIFIED: Wed May 28 20:12:59 2003
 THE INFORMATION CONTAINED HEREIN IS THE PROPRIETARY
 PROPERTY OF APPLE COMPUTER, INC. THE POSSESSOR
 AGREES TO THE FOLLOWING
 I TO MAINTAIN THE DOCUMENT IN CONFIDENCE
 II NOT TO REPRODUCE OR COPY IT
 III NOT TO REVEAL OR PUBLISH IN WHOLE OR PART

APPLE COMPUTER INC.	SIZE	DRAWING NUMBER	REV.
	D	051-6490	A
SCALE	SHEET		OF
NONE	56	74	



D

C

B

A

D

C

B

A

NOTICE OF PROPRIETARY PROPERTY

THE INFORMATION CONTAINED HEREIN IS THE PROPRIETARY PROPERTY OF APPLE COMPUTER, INC. THE POSSESSOR AGREES TO THE FOLLOWING:
 I TO MAINTAIN THE DOCUMENT IN CONFIDENCE
 II NOT TO REPRODUCE OR COPY IT
 III NOT TO REVEAL OR PUBLISH IN WHOLE OR PART

APPLE COMPUTER INC.	SIZE: DRAWING NUMBER D 051-6490	REV. A
	SCALE: NONE	SHEET OF 63 74




JTAG_ASIC_TRST_L 9A3 36B7 61C7
 JTAG_CPU_TCK 4C3 7D5 8C2 9A2 61C7
 JTAG_CPU_TDI 4C3 7A5 8D2 9A2 61C7
 JTAG_CPU_TDO 4C3 9A2 61C7
 JTAG_CPU_TMS 4C3 7A5 8D2 9A2 61C7
 JTAG_CPU_TRST_L 4C3 7C5 8D2 9A2 61C7
 JTAG_ENET_TDI 30C6 36B7 37A2 37B4
 KAVAN 45B6
 KS5VSD 31A5 54B3 61A7
 KS_INT_SPKR+ 31A3 44C3 60A5 61B7
 KS_INT_SPKR-FILT 31A5
 KS_INT_SPKR- 31A3 44C3 60A5 61B7
 KS_INT_SPKR-FILT 31A5
 KYLE 48C6
 L31_2 42C6
 L32_2 42B6
 L36_2 42B6
 L43_1 43A4
 L3202_1 42C6
 LAMP_STS 25D6 31A3
 LAMP_STS_FILT 31A5 61A7
 LCD_PWM 25D6 31A8
 LCD_PWM_FILT 31A5 61A7
 LED_5V 31A8 54B3
 LED_5V_FILT 31A5 54B3 61A7
 LED_RET 31A3 53B6 54B3
 LED_RET_FILT 31A5 54A3 61A7
 LED_ROMCS 32A3
 LED_ROMCS_L 32A4
 LED_ROMCS_LIGHT 32A3
 LID_SWITCH 31B2 46C4
 LINA 41C4 42C2
 LINROUT_COMM2 61B4
 LINE_IN_COM 42B7 61B4
 LINE_IN_L 42B7 42C7 61B4
 LINE_IN_R 42B6 42B7 61B4
 LINE_IN_SENSE 42B7 42C7 61B4
 LINE_OUT_L 61B4
 LINSENSE 42C5
 LOW_PWR 37A5 37B4
 LO_T1 43A4
 LP4202P2 42C5
 LP4202P3 42B5
 LP4202P4 42B5
 LPL1 43D6
 LPR1 43C6
 LSPKRCAP 44B8
 LSPKRIN2 44B6
 LSPKRV2 44B6
 LT1962_INT_ADJ 30D7
 LT1962_INT_BYP 30D7
 LT1962_INT_VIN 30D7
 LY4P2 44C3
 M1PH 45C7
 M1PL 45B7
 M1H 45C6
 M1HFILT 45C5
 M1L 45B6 45C6
 M1S 45B5 45C6
 MAIN_RESET_L 32A2 33D4 34A6 46C4 61A4
 MAIN_RESET_L_PU 33D3
 MAIN_SUPPLY_LED 52D6
 MEM1_VREF 14A6
 MEMREFG1 22A5
 MEMREFG2 22A4
 MEMREFG3 23A5
 MEMREFG4 23A4
 MEMREFI1 14A8
 MEMREFI2 14A7
 MEMREFM1 16B3
 MEMREFM2 16B2
 MEMREFN1 20B8
 MEMREFN2 20B7
 MEM_ADDR<12..0> 14A3 14B3 14C2 14C3 14D2 14D3 14D6 55D6
 MEM_BA<1..0> 14B3 14D6 55D6
 MEM_CAS_L 14A3 14C6 55C6
 MEM_CKE<3..0> 14A2 14B2 14B6 14C2 14C6 55C6
 MEM_CS_L<3..0> 14A2 14B2 14C2 14C6 55D6
 MEM_DATA<63..0> 14B8 14C8 14D8 15A6 15B3 15B6 15C5 15C8 55D6

MEM_DQM<7..0> 14C6 15A6 15B3 15C5 15C8 55D6
 MEM_DQS<7..0> 14C6 15A6 15B3 15C5 15C8 55D6
 MEM_MUXSEL_H<1..0> 14B6 14D5 55C6
 MEM_MUXSEL_L<1..0> 14B6 14D5 55C6
 MEM_RAS_L 14A3 14C6 55C6
 MEM_WE_L 14A3 14C6 55C6
 MIC1 45C4
 MIC1S1 45B7
 MIC2 45C4
 MIC3 45C4
 MIC4 45C3
 MIC5 45B3
 MICHIGH 31A5 45C8 60A5 61A7
 MICLOW 31A5 45B8 60A5 61A7
 MICSHLD 31A5 45B8 60A5 61A7
 MIC_FIX 45D5
 MIC_IN 41C4 45C2
 MIC_TDO 8B3
 MII_EN 37C4
 MODEM_USB_DM 30B2 31C5 60A5 61B4
 MODEM_USB_DP 30B2 31C5 60A5 61B4
 MON_DETECT 25D6 27C6 61D4
 MON_I2C_SCL 24D5 27B6
 MON_I2C_SDA 24D5 27B6
 MPIC_CPU_INT_L 4B3 7A5 9D7 30B5
 MPWRGD 50B6 50B7 51B5
 MR_FLO 47C5
 MR_FLO_1 47B4
 MUTE_B_L 44B8
 MUX_SEL_H 14D4 15A3 15C5 55C6
 MUX_SEL_L 14D4 15A6 15C8 55C6
 M_SPD_WP 17A7
 M_VDDID 17A7
 NCVR4 41D6
 NC_-10VUNREG 31C6
 NC_-12VREG 31C6
 NC_28512P4 10A7
 NC_28512P14 10A7
 NC_28512P17 10A7
 NC_AMPOL 44B6
 NC_ATXTAL1 8C4
 NC_ATXTAL2 8B4
 NC_AUDIO2MODEM 31C6
 NC_AUDIO2MODEMRTN 31C6
 NC_AUD_MODEM 31C6
 NC_AUD_MODEM_RTN 31C6
 NC_BIGDIMM9 17D6
 NC_BIGDIMM10 17D6
 NC_BIGDIMM44 17C6
 NC_BIGDIMM45 17B6
 NC_BIGDIMM47 17B6
 NC_BIGDIMM49 17B6
 NC_BIGDIMM51 17B6
 NC_BIGDIMM71 17A6
 NC_BIGDIMM101 17D4
 NC_BIGDIMM102 17D4
 NC_BIGDIMM103 17D4
 NC_BIGDIMM113 17C4
 NC_BIGDIMM134 17C4
 NC_BIGDIMM135 17C4
 NC_BIGDIMM140 17B4
 NC_BIGDIMM142 17B4
 NC_BIGDIMM144 17B4
 NC_BIGDIMM163 17A4
 NC_BIGDIMM167 17A4
 NC_BIGDIMM173 17A4
 NC_BS1 31B7
 NC_BS2 31B6
 NC_BS3 31D1
 NC_BS4 31D1
 NC_BT1 31D2
 NC_BT3 31D2
 NC_BT4 31D2
 NC_BT5 31D2
 NC_BT6 31D2
 NC_CBUS_INT_L 30A8
 NC_CLK33M_PCI_SLOT 32D7
 NC_CLKENET_LINK_GTX 36C6
 NC_CPUAP<4..0> 4B7
 NC_CPUCRUD<89..0> 5A7 5B7 5C7 5D7
 NC_CPUDP<7..0> 5A4

NC_CPU_CLKOUT 4D3
 NC_CSLOT_ADDR<9..3> 39A7 39B7
 NC_CSLOT_CB1_L 39C7
 NC_CSLOT_CB2_L 39C7
 NC_CSLOT_IORD_L 39C7
 NC_CSLOT_IOWR_L 39C7
 NC_CSLOT_OE_L 39B7
 NC_CSLOT_WE_L 39B7
 NC_DAA_CLKOUT 31C6
 NC_DAA_LOADOUT 31C6
 NC_DACC_BLU 24C4
 NC_DACC_GRN 24C4
 NC_DACC_RED 24C4
 NC_DACC_RSET 24C4
 NC_DDRCLK1 10C3
 NC_DDRCLK2 10C3
 NC_DDRCLK3 10C3
 NC_DDRCLK4 10C3
 NC_DDRCLK5 10C3
 NC_DDRCLK6 10C3
 NC_DDRCLK7 10C3
 NC_DDRCLK8 10C3
 NC_DDRCLK9 10C3
 NC_DDRCLK10 10C3
 NC_DDRCLK11 10B3
 NC_DDRCLK12 10B3
 NC_DDRCLK13 10B3
 NC_DDRCLK14 10B3
 NC_DDRCLK_A2 10C2
 NC_DDRCLK_A2_L 10C2
 NC_DPPCLK 25C2
 NC_DPPCLK* 25C2
 NC_DPPD0 25C2
 NC_DPPD1 25C2
 NC_DPPD2 25C2
 NC_DPPD3 25C2
 NC_DPPD5 25B2
 NC_DPPD6 25B2
 NC_ENET_LINK_TXD<7..4> 36C6
 NC_EXT_TMDS_CKM 25C2
 NC_EXT_TMDS_CKP 25C2
 NC_EXT_TMDS_DOM 25C2
 NC_EXT_TMDS_DDP 25C2
 NC_EXT_TMDS_D1N 25C2
 NC_EXT_TMDS_D1P 25C2
 NC_EXT_TMDS_D2M 25C2
 NC_EXT_TMDS_D2P 25C2
 NC_FB1<10..0> 22B5 22B6
 NC_FB2<10..0> 22B1 22B2
 NC_FB3<10..0> 23B5 23B6
 NC_FB4<10..0> 23B1 23B2
 NC_FBACS1_L 20C8
 NC_FBACS1_L 20C4
 NC_FBDQS<15..0> 20C7 20D4
 NC_FMAX7 9A8
 NC_FMAX8 9A8
 NC_FW_CNA 38B6
 NC_GPU<4..0> 19A6
 NC_GPULPS 25C4
 NC_GPU_DBF_LO 19B7
 NC_GPU_INTR_L 19B7
 NC_GPU_THERMA 25C4
 NC_GPU_THERMC 25C4
 NC_IFP1RSET 25B2
 NC_IFP1VREF 25B2
 NC_INPA 41C2
 NC_INT_TST_MONOUT_TP 36B6
 NC_JTAG7 9A3
 NC_JTAG10 9A2
 NC_LCRENABLE 9A3
 NC_MODEM_DETECT_L 31C6
 NC_NVAGP_TDI 19A5
 NC_NVAGP_TDO 19A5
 NC_NVAGP_TMS 19A5
 NC_P00_D0 46D5
 NC_P01_D1 46D5
 NC_P02_D2 46C5
 NC_P03_D3 46C5
 NC_P04_D4 46C5
 NC_P05_D5 46C5
 NC_P6_D6 46C5

NC_P07_D7 46C5
 NC_P10_D8 46C5
 NC_P11_D9 46C5
 NC_P14_D12 46C5
 NC_P20_A0_D0 46C5
 NC_P21_A1_D1_D0 46C5
 NC_P22_A2_D2_D1 46C5
 NC_P23_A3_D3_D2 46C5
 NC_P24_A4_D4_D3 46C5
 NC_P25_A5_D5_D4 46C5
 NC_P26_A6_D6_D5 46C5
 NC_P27_A7_D7_D6 46C5
 NC_P33_A11 46B5
 NC_P34_A12 46B5
 NC_P35_A13 46B5
 NC_P36_A14 46B5
 NC_P37_A15 46B5
 NC_P43_A19 46B5
 NC_P45_CS1_L 46B5
 NC_P74_TA2OUT_W 46C4
 NC_P75_TA2IN_W 46C4
 NC_P76_TA3OUT 46C4
 NC_P77_TA3IN 46C4
 NC_P92_TB2IN_SOUT3 46B4
 NC_P93_DA0_TB3IN 46B4
 NC_P96_ANEXO_CLK4 46B4
 NC_P103_AN3 46B4
 NC_PCIR0 33B7
 NC_PCIR1 33B7
 NC_PCITR0 33B6
 NC_PCITR1 33B6
 NC_PDO 8B3
 NC_PMON_OUT_L 4B3
 NC_PMU_DL_10 31B2
 NC_PMU_DL_12 31B2
 NC_PPL* 46C6
 NC_RESET_BUTTON_L 9A8
 NC_RFBA<12..12> 20B2
 NC_RFBA<12..12> 20A2
 NC_RF_DISABLE_L 61A4
 NC_ROMCS_L 20C8
 NC_RP1PIN4 18B3
 NC_RP1399 32A6
 NC_RP2848 30A8
 NC_RP3319 30D2
 NC_RP3324_2 30C1
 NC_RP748P1 30D2
 NC_RPT77P6 30B8
 NC_SDOUT2 41C2
 NC_SODIMM71 16C6
 NC_SODIMM72 16C5
 NC_SODIMM73 16C6
 NC_SODIMM74 16C5
 NC_SODIMM77 16C6
 NC_SODIMM78 16C5
 NC_SODIMM79 16C6
 NC_SODIMM80 16C5
 NC_SODIMM83 16C6
 NC_SODIMM84 16C5
 NC_SODIMM85 16C6
 NC_SODIMM86 16C5
 NC_SODIMM89 16C6
 NC_SODIMM91 16C6
 NC_SODIMM97 16B6
 NC_SODIMM98 16B5
 NC_SODIMM123 16B6
 NC_SODIMM124 16B5
 NC_SODIMM199 16A6
 NC_SODIMM200 16A5
 NC_SODIMM201 16D5
 NC_SODIMM202 16A6
 NC_SW3V5V_33OUT 52C6
 NC_SYSCLK_DORCLK_A2 14B4
 NC_TAS_SDOUT1 41C2
 NC_TESTMODE 9A3
 NC_TMDS_TXD3M 25C2
 NC_TMDS_TXD3P 25C2
 NC_TMDS_TXD7M 25C2
 NC_TMDS_TXD7P 25C2
 NC_TX1_1 37C3
 NC_TX1_2 37C3

NOTICE OF PROPRIETARY PROPERTY
 THE INFORMATION CONTAINED HEREIN IS THE PROPRIETARY PROPERTY OF APPLE COMPUTER, INC. THE POSSESSOR AGREES TO THE FOLLOWING:
 I TO MAINTAIN THE DOCUMENT IN CONFIDENCE
 II NOT TO REPRODUCE OR COPY IT
 III NOT TO REVEAL OR PUBLISH IN WHOLE OR PART

APPLE COMPUTER INC. 

SCALE	DRAWING NUMBER	REV.
NONE	D 051-6490	A
SHEET	OF	
64	74	



D

C

B

A

D

C

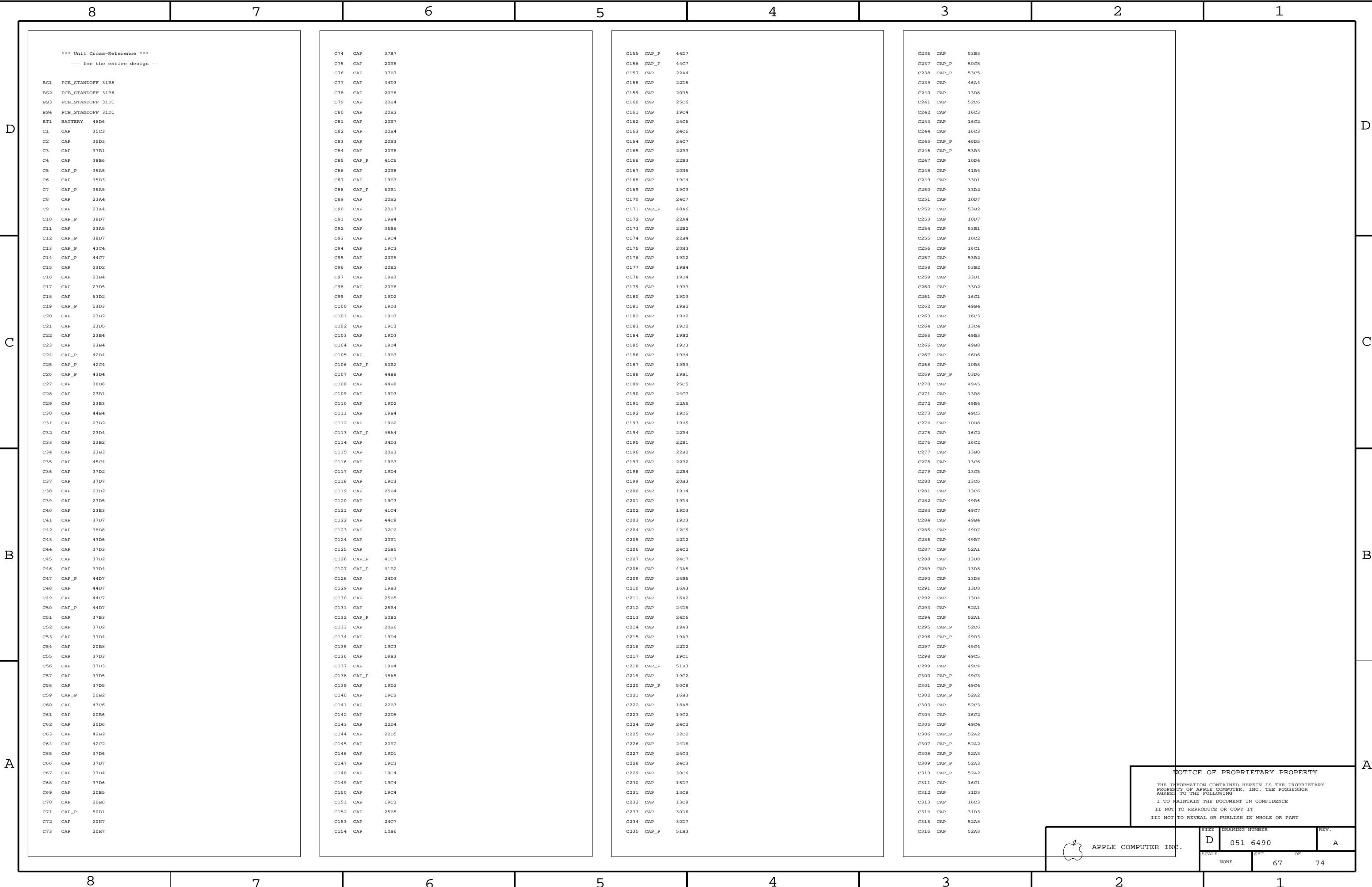
B

A

NOTICE OF PROPRIETARY PROPERTY
 THE INFORMATION CONTAINED HEREIN IS THE PROPRIETARY PROPERTY OF APPLE COMPUTER, INC. THE POSSESSOR AGREES TO THE FOLLOWING:
 I TO MAINTAIN THE DOCUMENT IN CONFIDENCE
 II NOT TO REPRODUCE OR COPY IT
 III NOT TO REVEAL OR PUBLISH IN WHOLE OR PART

APPLE COMPUTER INC.	SIZE D	DRAWING NUMBER 051-6490	REV. A
	SCALE NONE	SHEET 65	OF 74





*** Unit Cross-Reference ***
 --- for the entire design ---

BS1 PCB_STANDOFF 31B5
 BS2 PCB_STANDOFF 31B6
 BS3 PCB_STANDOFF 31D1
 BS4 PCB_STANDOFF 31D1
 BT1 BATTERY 46D6
 C1 CAP 35C3
 C2 CAP 35D3
 C3 CAP 37B1
 C4 CAP 38B6
 C5 CAP_P 35A5
 C6 CAP 35B3
 C7 CAP_P 35A5
 C8 CAP 23A4
 C9 CAP 23A4
 C10 CAP_P 38D7
 C11 CAP 23A5
 C12 CAP_P 38D7
 C13 CAP_P 43C4
 C14 CAP_P 44C7
 C15 CAP 23D2
 C16 CAP 23B4
 C17 CAP 23D5
 C18 CAP 53D2
 C19 CAP_P 53D3
 C20 CAP 23B2
 C21 CAP 23D5
 C22 CAP 23B4
 C23 CAP 23B4
 C24 CAP_P 42B4
 C25 CAP_P 42C4
 C26 CAP_P 43D4
 C27 CAP 38D8
 C28 CAP 23B1
 C29 CAP 23B3
 C30 CAP 44B4
 C31 CAP 23B2
 C32 CAP 23D4
 C33 CAP 23B2
 C34 CAP 23B3
 C35 CAP 45C4
 C36 CAP 37D2
 C37 CAP 37D7
 C38 CAP 23D2
 C39 CAP 23D5
 C40 CAP 23B3
 C41 CAP 37D7
 C42 CAP 38B8
 C43 CAP 43D6
 C44 CAP 37D3
 C45 CAP 37D2
 C46 CAP 37D4
 C47 CAP_P 44D7
 C48 CAP 44D7
 C49 CAP 44C7
 C50 CAP_P 44D7
 C51 CAP 37B3
 C52 CAP 37D2
 C53 CAP 37D4
 C54 CAP 20B8
 C55 CAP 37D3
 C56 CAP 37D3
 C57 CAP 37D5
 C58 CAP 37D5
 C59 CAP_P 50B2
 C60 CAP 43C6
 C61 CAP 20B6
 C62 CAP 20D6
 C63 CAP 42B2
 C64 CAP 42C2
 C65 CAP 37D6
 C66 CAP 37D7
 C67 CAP 37D4
 C68 CAP 37D6
 C69 CAP 20B5
 C70 CAP 20B6
 C71 CAP_P 50B1
 C72 CAP 20H7
 C73 CAP 20H7

C74 CAP 37B7
 C75 CAP 20H5
 C76 CAP 37B7
 C77 CAP 34D3
 C78 CAP 20H6
 C79 CAP 20H4
 C80 CAP 20H2
 C81 CAP 20H7
 C82 CAP 20H4
 C83 CAP 20H3
 C84 CAP 20H8
 C85 CAP_P 41C6
 C86 CAP 20H8
 C87 CAP 19B3
 C88 CAP_P 50B1
 C89 CAP 20H2
 C90 CAP 20H7
 C91 CAP 19B4
 C92 CAP 36B6
 C93 CAP 19C4
 C94 CAP 19C3
 C95 CAP 20H5
 C96 CAP 20H2
 C97 CAP 19B3
 C98 CAP 20H6
 C99 CAP 19D2
 C100 CAP 19D3
 C101 CAP 19D3
 C102 CAP 19C3
 C103 CAP 19D3
 C104 CAP 19D4
 C105 CAP 19B3
 C106 CAP_P 50B2
 C107 CAP 44B8
 C108 CAP 44B8
 C109 CAP 19D3
 C110 CAP 19D2
 C111 CAP 19B4
 C112 CAP 19B2
 C113 CAP_P 48A4
 C114 CAP 34D3
 C115 CAP 20H3
 C116 CAP 19B3
 C117 CAP 19D4
 C118 CAP 19C3
 C119 CAP 25B4
 C120 CAP 19C3
 C121 CAP 41C4
 C122 CAP 44C8
 C123 CAP 32C2
 C124 CAP 20H1
 C125 CAP 25B5
 C126 CAP_P 41C7
 C127 CAP_P 41B2
 C128 CAP 24D3
 C129 CAP 19B3
 C130 CAP 25B5
 C131 CAP 25B4
 C132 CAP_P 50B2
 C133 CAP 20H6
 C134 CAP 19D4
 C135 CAP 19C3
 C136 CAP 19B3
 C137 CAP 19B4
 C138 CAP_P 48A5
 C139 CAP 19D2
 C140 CAP 19C2
 C141 CAP 22B3
 C142 CAP 22D5
 C143 CAP 22D4
 C144 CAP 22D5
 C145 CAP 20H2
 C146 CAP 19D1
 C147 CAP 19C3
 C148 CAP 19C4
 C149 CAP 19C4
 C150 CAP 19C4
 C151 CAP 19C3
 C152 CAP 25B5
 C153 CAP 24C7
 C154 CAP 10B6

C155 CAP_P 44D7
 C156 CAP_P 44C7
 C157 CAP 22A4
 C158 CAP 22D5
 C159 CAP 20H5
 C160 CAP 25C6
 C161 CAP 19C4
 C162 CAP 24C6
 C163 CAP 24C6
 C164 CAP 24C7
 C165 CAP 22B3
 C166 CAP 22B3
 C167 CAP 20H5
 C168 CAP 19C4
 C169 CAP 19C3
 C170 CAP 24C7
 C171 CAP_P 48A6
 C172 CAP 22A4
 C173 CAP 22B2
 C174 CAP 22B4
 C175 CAP 20H3
 C176 CAP 19D2
 C177 CAP 19B4
 C178 CAP 19D4
 C179 CAP 19B3
 C180 CAP 19D3
 C181 CAP 19B2
 C182 CAP 19B2
 C183 CAP 19D2
 C184 CAP 19B2
 C185 CAP 19D3
 C186 CAP 19B4
 C187 CAP 19B3
 C188 CAP 19B1
 C189 CAP 25C5
 C190 CAP 24C7
 C191 CAP 22A5
 C192 CAP 19D5
 C193 CAP 19B5
 C194 CAP 22B4
 C195 CAP 22B1
 C196 CAP 22B2
 C197 CAP 22B2
 C198 CAP 22B4
 C199 CAP 20H3
 C200 CAP 19D4
 C201 CAP 19D4
 C202 CAP 19D3
 C203 CAP 19D3
 C204 CAP 42C5
 C205 CAP 22D2
 C206 CAP 24C2
 C207 CAP 24C7
 C208 CAP 43A5
 C209 CAP 24B6
 C210 CAP 16A3
 C211 CAP 16A2
 C212 CAP 24D6
 C213 CAP 24D6
 C214 CAP 19A3
 C215 CAP 19A3
 C216 CAP 22D2
 C217 CAP 19C1
 C218 CAP_P 51B3
 C219 CAP 19C2
 C220 CAP_P 50C8
 C221 CAP 16B3
 C222 CAP 18A8
 C223 CAP 19C2
 C224 CAP 24C2
 C225 CAP 32C2
 C226 CAP 24D6
 C227 CAP 24C3
 C228 CAP 24C3
 C229 CAP 30C6
 C230 CAP 15D7
 C231 CAP 13C8
 C232 CAP 13C8
 C233 CAP 30D6
 C234 CAP 30D7
 C235 CAP_P 51B3

C236 CAP 53B3
 C237 CAP_P 50C8
 C238 CAP_P 53C5
 C239 CAP 46A4
 C240 CAP 13B8
 C241 CAP 52C6
 C242 CAP 16C3
 C243 CAP 16C2
 C244 CAP 16C3
 C245 CAP_P 46D5
 C246 CAP_P 53B3
 C247 CAP 10D4
 C248 CAP 41B4
 C249 CAP 33D1
 C250 CAP 33D2
 C251 CAP 10D7
 C252 CAP 53B2
 C253 CAP 10D7
 C254 CAP 53B1
 C255 CAP 16C2
 C256 CAP 16C1
 C257 CAP 53B2
 C258 CAP 53B2
 C259 CAP 33D1
 C260 CAP 33D2
 C261 CAP 16C1
 C262 CAP 49B4
 C263 CAP 16C3
 C264 CAP 13C4
 C265 CAP 49B3
 C266 CAP 49B8
 C267 CAP 46D6
 C268 CAP 10B8
 C269 CAP_P 53D6
 C270 CAP 49A5
 C271 CAP 13B8
 C272 CAP 49B4
 C273 CAP 49C5
 C274 CAP 10B8
 C275 CAP 16C2
 C276 CAP 16C2
 C277 CAP 13B8
 C278 CAP 13C6
 C279 CAP 13C5
 C280 CAP 13C6
 C281 CAP 13C6
 C282 CAP 49B6
 C283 CAP 49C7
 C284 CAP 49B4
 C285 CAP 49B7
 C286 CAP 49B7
 C287 CAP 52A1
 C288 CAP 13D8
 C289 CAP 13D8
 C290 CAP 13D8
 C291 CAP 13D8
 C292 CAP 13D4
 C293 CAP 52A1
 C294 CAP 52A1
 C295 CAP_P 52C6
 C296 CAP_P 49B3
 C297 CAP 49C4
 C298 CAP 49C5
 C299 CAP 49C4
 C300 CAP_P 49C3
 C301 CAP_P 49C4
 C302 CAP_P 52A2
 C303 CAP 52C3
 C304 CAP 16C2
 C305 CAP 49C4
 C306 CAP_P 52A2
 C307 CAP_P 52A2
 C308 CAP_P 52A3
 C309 CAP_P 52A3
 C310 CAP_P 52A2
 C311 CAP 16C1
 C312 CAP 31D3
 C313 CAP 16C3
 C314 CAP 31D3
 C315 CAP 52A8
 C316 CAP 52A8

NOTICE OF PROPRIETARY PROPERTY
 THE INFORMATION CONTAINED HEREIN IS THE PROPRIETARY PROPERTY OF APPLE COMPUTER, INC. THE POSSESSOR AGREES TO THE FOLLOWING
 I TO MAINTAIN THE DOCUMENT IN CONFIDENCE
 II NOT TO REPRODUCE OR COPY IT
 III NOT TO REVEAL OR PUBLISH IN WHOLE OR PART

APPLE COMPUTER INC.	SIZE D	DRAWING NUMBER 051-6490	REV. A
	SCALE NONE	SHEET 67	OF 74

	8	7	6	5	4	3	2	1
D	C317 CAP 52B8 C318 CAP 52B8 C319 CAP 16A8 C320 CAP 16C2 C321 CAP 52B7 C322 CAP 52A7 C323 CAP_P 51B3 C324 CAP_P 51B3 C325 CAP 49A4 C326 CAP_P 52B2 C327 CAP_P 52B2 C328 CAP_P 52B2 C329 CAP 51B3 C330 CAP_P 51B3 C331 CAP_P 51B2 C332 CAP_P 51B2 C333 CAP 52B6 C334 CAP_P 47C1 C335 CAP_P 47C2 C336 CAP_P 47C2 C337 CAP_P 47C2 C338 CAP_P 52D7 C339 CAP_P 52D7 C340 CAP_P 47C2 C341 CAP 52B7 C342 CAP_P 51C3 C343 CAP_P 47D3 C344 CAP 52B4 C345 CAP 4B1 C346 CAP_P 47B1 C347 CAP_P 47B2 C348 CAP_P 47B2 C349 CAP_P 52D7 C350 CAP 9D4 C351 CAP_P 51C3 C352 CAP 4B1 C353 CAP 9D4 C354 CAP_P 52D4 C355 CAP_P 52D4 C356 CAP_P 52D4 C357 CAP_P 47D3 C358 CAP 51C4 C359 CAP 51B7 C360 CAP_P 48C4 C361 CAP_P 47B2 C362 CAP_P 47B2 C363 CAP_P 48C5 C364 CAP 9C1 C365 CAP_P 48C6 C366 CAP 48C5 C367 CAP 47B6 C369 CAP 4A1 C370 CAP 4A1 C371 CAP 47C5 C372 CAP 47B7 C373 CAP 47C8 C374 CAP 47B5 C375 CAP 38C1 C376 CAP 38D3 C377 CAP 35A4 C378 CAP 38C2 C379 CAP 38C2 C380 CAP 35C3 C381 CAP 38D3 C382 CAP 35A4 C383 CAP 35C4 C384 CAP 38C2 C385 CAP 35B3 C386 CAP 35C3 C387 CAP 35C4 C388 CAP 44A1 C389 CAP 35B4 C390 CAP 38A6 C391 CAP 35B4 C392 CAP 38A6 C393 CAP 38A6 C394 CAP 38A6 C395 CAP 38A6 C396 CAP 35A4 C397 CAP 35D3 C398 CAP 35B3	C399 CAP 38A7 C400 CAP 37C1 C401 CAP 37D1 C402 CAP 44C3 C403 CAP 35D4 C404 CAP 35D4 C405 CAP 35D3 C406 CAP 38B6 C407 CAP 38A6 C408 CAP 43B3 C409 CAP 27B3 C410 CAP 38D4 C411 CAP 38A7 C412 CAP 43C3 C413 CAP 35D3 C414 CAP 27B4 C415 CAP 27A4 C416 CAP 27A4 C417 CAP 35B3 C418 CAP 38D4 C419 CAP 44B3 C420 CAP 43D3 C421 CAP 27D4 C422 CAP 27C4 C423 CAP 27C3 C424 CAP 38B6 C425 CAP 44B3 C426 CAP 44B2 C427 CAP 43B3 C428 CAP 38B7 C429 CAP 44B2 C430 CAP 44B2 C431 CAP 42B6 C432 CAP 27B3 C433 CAP 35C3 C434 CAP 37D1 C435 CAP 44B2 C436 CAP 43A4 C437 CAP 42C6 C438 CAP 37D2 C439 CAP 38B4 C440 CAP 38B4 C441 CAP 38C5 C442 CAP 38C5 C443 CAP 38B2 C444 CAP 38B2 C445 CAP 38C3 C446 CAP 38C3 C447 CAP 42B6 C448 CAP 44B4 C449 CAP 35A7 C450 CAP 38B3 C451 CAP 38B2 C452 CAP 38B4 C453 CAP 43B4 C454 CAP 42C6 C455 CAP 38B4 C456 CAP 38B3 C457 CAP 38B4 C458 CAP 38B3 C459 CAP 44B4 C460 CAP 23D2 C461 CAP 23B7 C462 CAP 23B8 C463 CAP 38B4 C464 CAP 38B4 C465 CAP 44B4 C466 CAP 23B7 C467 CAP 23D8 C468 CAP 38B1 C469 CAP 23B7 C470 CAP 23B8 C471 CAP 38B4 C472 CAP 38B1 C473 CAP 53D2 C474 CAP 44A4 C475 CAP 23B6 C476 CAP 23B6 C477 CAP 38C7 C478 CAP 45B5 C479 CAP_P 42C4	C480 CAP_P 42B4 C481 CAP 38B3 C482 CAP 38B3 C483 CAP 38B3 C484 CAP 38B5 C485 CAP 38B1 C486 CAP 23B6 C487 CAP 23D7 C488 CAP 23B7 C489 CAP 23B5 C490 CAP 38B6 C491 CAP 44B4 C492 CAP 23D2 C493 CAP 23D7 C494 CAP 23D7 C495 CAP 38B2 C496 CAP 38B2 C497 CAP 44B4 C498 CAP 44B4 C499 CAP 43D6 C500 CAP 38C7 C501 CAP 44C5 C502 CAP 44C5 C503 CAP 43C6 C504 CAP 43B7 C505 CAP 42D3 C506 CAP 42C3 C507 CAP 42B3 C508 CAP 43C6 C509 CAP 20B8 C510 CAP 20B8 C511 CAP 34D5 C512 CAP_P 43B7 C513 CAP 42B3 C514 CAP 42C3 C515 CAP 34C8 C516 CAP 34D8 C517 CAP 34C8 C518 CAP 43B7 C519 CAP 34D8 C520 CAP 22D2 C521 CAP 22D2 C522 CAP 34D8 C523 CAP 34D8 C524 CAP_P 43C7 C525 CAP_P 43D7 C526 CAP 34D5 C527 CAP 34D8 C528 CAP_P 50B3 C529 CAP 34D5 C530 CAP 34C7 C531 CAP 34C7 C532 CAP 22D7 C533 CAP 22D7 C534 CAP 22B6 C535 CAP 22B6 C536 CAP 34C8 C537 CAP 34D7 C538 CAP_P 41D6 C539 CAP_P 41B7 C540 CAP 22D8 C541 CAP 34D8 C542 CAP 45C3 C543 CAP 50B3 C544 CAP 22D7 C545 CAP 22B7 C546 CAP 34D8 C547 CAP 34D7 C548 CAP 34D8 C549 CAP 41D7 C550 CAP 45B2 C551 CAP 45B3 C552 CAP 50B6 C553 CAP 22B6 C554 CAP 22B7 C555 CAP 34D7 C556 CAP 45C2 C557 CAP 50C3 C558 CAP_P 50B2 C559 CAP 34D8 C560 CAP 44B5	C561 CAP 44B6 C562 CAP 17C2 C563 CAP 50B6 C564 CAP 50C2 C565 CAP 22B5 C566 CAP 22B7 C567 CAP 22B7 C568 CAP 22B8 C569 CAP 22B8 C570 CAP 34C8 C571 CAP 44B5 C572 CAP 50B7 C573 CAP 34C8 C574 CAP 34C8 C575 CAP 44B7 C576 CAP 50C3 C577 CAP 44B5 C578 CAP 41C5 C579 CAP 41C5 C580 CAP_P 41B2 C581 CAP 41B2 C582 CAP 44C3 C583 CAP 48A5 C584 CAP 41D3 C585 CAP 50B5 C586 CAP 50A4 C587 CAP 41B2 C588 CAP 41B5 C589 CAP 50C5 C590 CAP 53C4 C591 CAP_P 41D2 C592 CAP 41B5 C593 CAP 17C1 C594 CAP 41B5 C595 CAP 41B5 C596 CAP 50C6 C597 CAP 41C4 C598 CAP 9B2 C599 CAP 41D4 C600 CAP_P 41D4 C601 CAP 31A5 C602 CAP 17C1 C603 CAP 18A8 C604 CAP_P 31A7 C605 CAP 24C2 C606 CAP 24C2 C607 CAP 24C1 C608 CAP 31A6 C609 CAP 31A4 C610 CAP 26A3 C611 CAP 15D7 C612 CAP 15D7 C613 CAP 15D6 C614 CAP 31A6 C615 CAP 31A4 C616 CAP 24A3 C617 CAP 24A3 C618 CAP 25A6 C619 CAP 31C7 C620 CAP 31C7 C621 CAP 31D7 C622 CAP 31D7 C623 CAP 30D7 C624 CAP 17C1 C625 CAP 31A7 C626 CAP 25A6 C627 CAP 31A6 C628 CAP 13C8 C629 CAP_P 31A5 C630 CAP 31A6 C631 CAP 50C7 C632 CAP 50C7 C633 CAP 50C7 C634 CAP 50C7 C635 CAP_P 25A6 C636 CAP_P 25A8 C637 CAP 13C4 C638 CAP 13C8 C639 CAP 31A4 C640 CAP 31A3 C641 CAP 13B8	D			
C								
B								
A								
	8	7	6	5	4	3	2	1

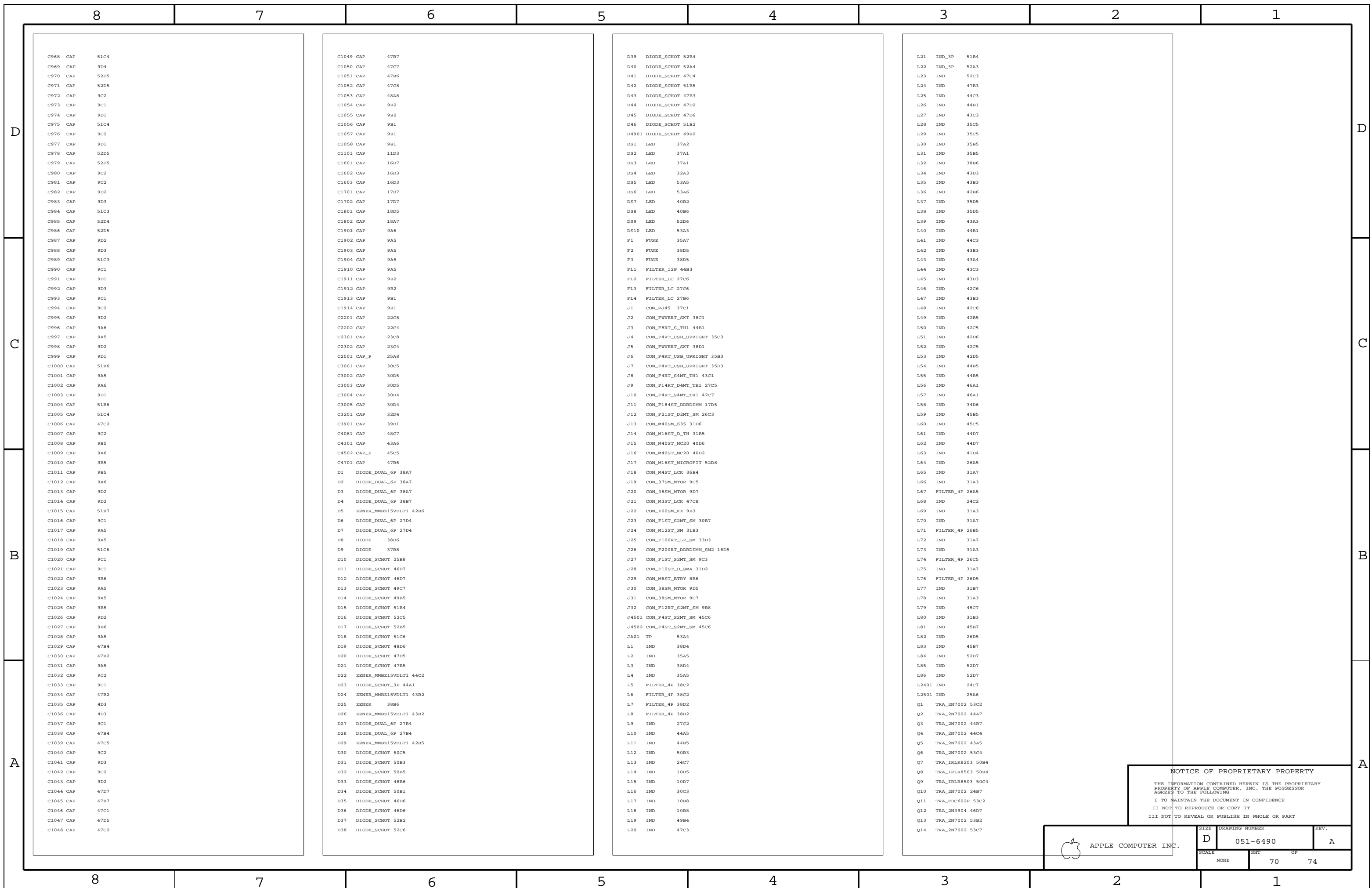
NOTICE OF PROPRIETARY PROPERTY
 THE INFORMATION CONTAINED HEREIN IS THE PROPRIETARY PROPERTY OF APPLE COMPUTER, INC. THE POSSESSOR AGREES TO THE FOLLOWING
 I TO MAINTAIN THE DOCUMENT IN CONFIDENCE
 II NOT TO REPRODUCE OR COPY IT
 III NOT TO REVEAL OR PUBLISH IN WHOLE OR PART

APPLE COMPUTER INC.	SIZE	DRAWING NUMBER	REV.
	D	051-6490	A
SCALE	SHEET OF		
NONE	68		74

	8	7	6	5	4	3	2	1
D	C642 CAP 45C7 C643 CAP 13C2 C644 CAP 13B2 C645 CAP 13B1 C646 CAP 13B1 C647 CAP 13C7 C648 CAP 13B7 C649 CAP 13C6 C650 CAP 13C7 C651 CAP 13C5 C652 CAP 26B2 C653 CAP 53B4 C654 CAP 53B4 C655 CAP 13C4 C656 CAP 13C2 C657 CAP 13B3 C658 CAP 13B2 C659 CAP 13B3 C660 CAP 13B1 C661 CAP 13B7 C662 CAP 13B7 C663 CAP 13B6 C664 CAP 13C5 C665 CAP 13C6 C666 CAP 13C5 C667 CAP 13C6 C668 CAP 13A5 C669 CAP 15C5 C670 CAP 15C6 C671 CAP 15C5 C672 CAP 17C1 C673 CAP 13B2 C674 CAP 13B6 C675 CAP 45B7 C676 CAP 13B3 C677 CAP 13B1 C678 CAP 13B3 C679 CAP 13B1 C680 CAP 13C3 C681 CAP 13B3 C682 CAP 13B3 C683 CAP 13C6 C684 CAP 13C7 C685 CAP 13C6 C686 CAP 13C6 C687 CAP 13A6 C688 CAP 13B7 C689 CAP 13C1 C690 CAP 13B2 C691 CAP 13C2 C692 CAP 30D6 C693 CAP 13C7 C694 CAP 13C5 C695 CAP 13C5 C696 CAP 13C5 C697 CAP 13C7 C698 CAP 13B5 C699 CAP 13A7 C700 CAP 13B7 C701 CAP 46B2 C702 CAP 13D4 C703 CAP 30D6 C704 CAP 30D5 C705 CAP 46A6 C706 CAP 46A6 C707 CAP 13B3 C708 CAP 13B3 C709 CAP 13C6 C710 CAP 13C6 C711 CAP 13B6 C712 CAP 13B1 C713 CAP 30D5 C714 CAP 13A5 C715 CAP 46B2 C716 CAP 13B2 C717 CAP 13C3 C718 CAP 13B1 C719 CAP 13D2 C720 CAP 13C3 C721 CAP 13D3 C722 CAP 13A7	C723 CAP 13A6 C724 CAP 13A5 C725 CAP 13B7 C726 CAP 17C2 C727 CAP 13D4 C728 CAP 13C3 C729 CAP 13B3 C730 CAP 13D3 C731 CAP 13D1 C732 CAP 13D1 C733 CAP 13C7 C734 CAP 13D2 C735 CAP 13A7 C736 CAP 13A5 C737 CAP 10D6 C738 CAP 10D7 C739 CAP 10D6 C740 CAP 10B5 C741 CAP 17C2 C742 CAP 53C6 C743 CAP 13B3 C744 CAP 13B1 C745 CAP 13C3 C746 CAP 13D3 C747 CAP 13D1 C748 CAP 13D2 C749 CAP 13D3 C750 CAP 13A6 C751 CAP 13A7 C752 CAP 13A6 C753 CAP 13A6 C754 CAP 13A5 C755 CAP 13A6 C756 CAP 10D5 C757 CAP 10D6 C758 CAP 10D4 C759 CAP 46D5 C760 CAP 18D6 C761 CAP 13B3 C762 CAP 13C1 C763 CAP 13D2 C764 CAP 13D3 C765 CAP 13D3 C766 CAP 13D1 C767 CAP 13B6 C768 CAP 13A6 C769 CAP 10D5 C770 CAP 10D6 C771 CAP 10C6 C772 CAP 10C6 C773 CAP 53C5 C774 CAP 13C1 C775 CAP 13C3 C776 CAP 13B2 C777 CAP 13C1 C779 CAP 13D1 C780 CAP 13D2 C781 CAP 13A5 C782 CAP 13A7 C783 CAP 46D5 C784 CAP 30A6 C785 CAP 30C3 C787 CAP 13D3 C788 CAP 13D3 C789 CAP 13D3 C790 CAP 13D1 C791 CAP 13A6 C792 CAP 13A6 C793 CAP 13B6 C794 CAP 13B5 C795 CAP 30C3 C796 CAP 13C3 C797 CAP 13D3 C798 CAP 13D1 C799 CAP 13D1 C800 CAP 13D2 C801 CAP 13A7 C802 CAP 13A5 C803 CAP 13A6 C804 CAP 10D3 C805 CAP 13B2	C806 CAP 13C2 C807 CAP 13B2 C808 CAP 13D2 C809 CAP 13C3 C810 CAP 13D2 C811 CAP 13D2 C812 CAP 13C2 C813 CAP 13A5 C814 CAP 13A6 C815 CAP 13B6 C816 CAP 13A6 C817 CAP 13B6 C818 CAP 13A5 C819 CAP 17C2 C820 CAP 30C3 C821 CAP 13C1 C822 CAP 13C1 C823 CAP 13D7 C824 CAP 13D6 C825 CAP 13A7 C826 CAP 13A7 C827 CAP 13B5 C828 CAP 13C1 C829 CAP 13C2 C830 CAP 13C3 C831 CAP 13D3 C832 CAP 13D7 C833 CAP 13D3 C834 CAP 13D6 C835 CAP 13B3 C836 CAP 13B6 C837 CAP 13B7 C838 CAP 13A7 C839 CAP 13B6 C840 CAP 30A6 C841 CAP 13D4 C842 CAP 13D6 C843 CAP 13C7 C844 CAP 13D6 C845 CAP 13D6 C846 CAP 13D7 C847 CAP 14A7 C848 CAP 32D5 C849 CAP 13C6 C850 CAP 13B3 C851 CAP 13B3 C852 CAP 13B2 C853 CAP 14A7 C854 CAP 11D3 C855 CAP 13B5 C856 CAP 13A7 C857 CAP 13B6 C858 CAP 15D4 C859 CAP 15D3 C860 CAP 15D4 C861 CAP 46A1 C862 CAP 46B7 C863 CAP 13C2 C864 CAP 17C2 C865 CAP 13B1 C866 CAP 13C3 C867 CAP 13C3 C868 CAP 13C2 C869 CAP 13D5 C870 CAP 13D6 C871 CAP 13D6 C872 CAP 13D5 C873 CAP 13D5 C874 CAP 13D5 C875 CAP 13B3 C876 CAP 13B5 C877 CAP 13B7 C878 CAP 13B7 C879 CAP 13B2 C880 CAP 13B5 C881 CAP 13B3 C882 CAP 13B1 C883 CAP 13B2 C884 CAP 13D6 C885 CAP 13D7 C886 CAP 13D5	C887 CAP 13D7 C888 CAP 13D6 C889 CAP 13D6 C890 CAP 13D7 C891 CAP 13D6 C892 CAP 13C4 C893 CAP 13C1 C894 CAP 13C2 C895 CAP 13D5 C896 CAP 13D5 C897 CAP 13D6 C898 CAP 13D5 C899 CAP 13D5 C900 CAP 13D7 C901 CAP 13D7 C902 CAP 13C7 C903 CAP 13B2 C904 CAP 13B6 C905 CAP 10B7 C906 CAP 10B7 C907 CAP 10B8 C908 CAP 15C2 C909 CAP 15C2 C910 CAP 15C1 C911 CAP 39C2 C912 CAP 10B8 C913 CAP 10B7 C914 CAP 17C2 C915 CAP 53D7 C916 CAP 14A8 C917 CAP 39C5 C918 CAP 53D6 C919 CAP 40C7 C920 CAP 40C1 C921 CAP 40C5 C922 CAP 17C1 C923 CAP 40B5 C924 CAP 40B7 C925 CAP 17C2 C926 CAP 52C1 C927 CAP 52B1 C928 CAP_P 49B4 C929 CAP 16A7 C930 CAP 52B8 C931 CAP 52B5 C932 CAP 52A5 C933 CAP 52A6 C934 CAP 52B1 C935 CAP_P 49B3 C936 CAP 17C2 C937 CAP 52C7 C938 CAP 52A4 C939 CAP 52A6 C940 CAP 52A5 C941 CAP 52C5 C942 CAP 8C3 C943 CAP 17A3 C944 CAP 47D3 C945 CAP 17A2 C946 CAP 8A6 C947 CAP_P 47C1 C948 CAP 51B4 C949 CAP 47C5 C950 CAP 47D4 C951 CAP 47D4 C952 CAP 47D4 C953 CAP 47D4 C954 CAP 4C2 C955 CAP 52D4 C956 CAP 52D5 C957 CAP_P 47B1 C958 CAP 9D4 C959 CAP 51C4 C960 CAP 47B2 C961 CAP 9C2 C962 CAP 51C3 C963 CAP 47D4 C964 CAP 47D4 C965 CAP 47D4 C966 CAP 47D4 C967 CAP 9C1	D			
C								
B								
A								
	8	7	6	5	4	3	2	1

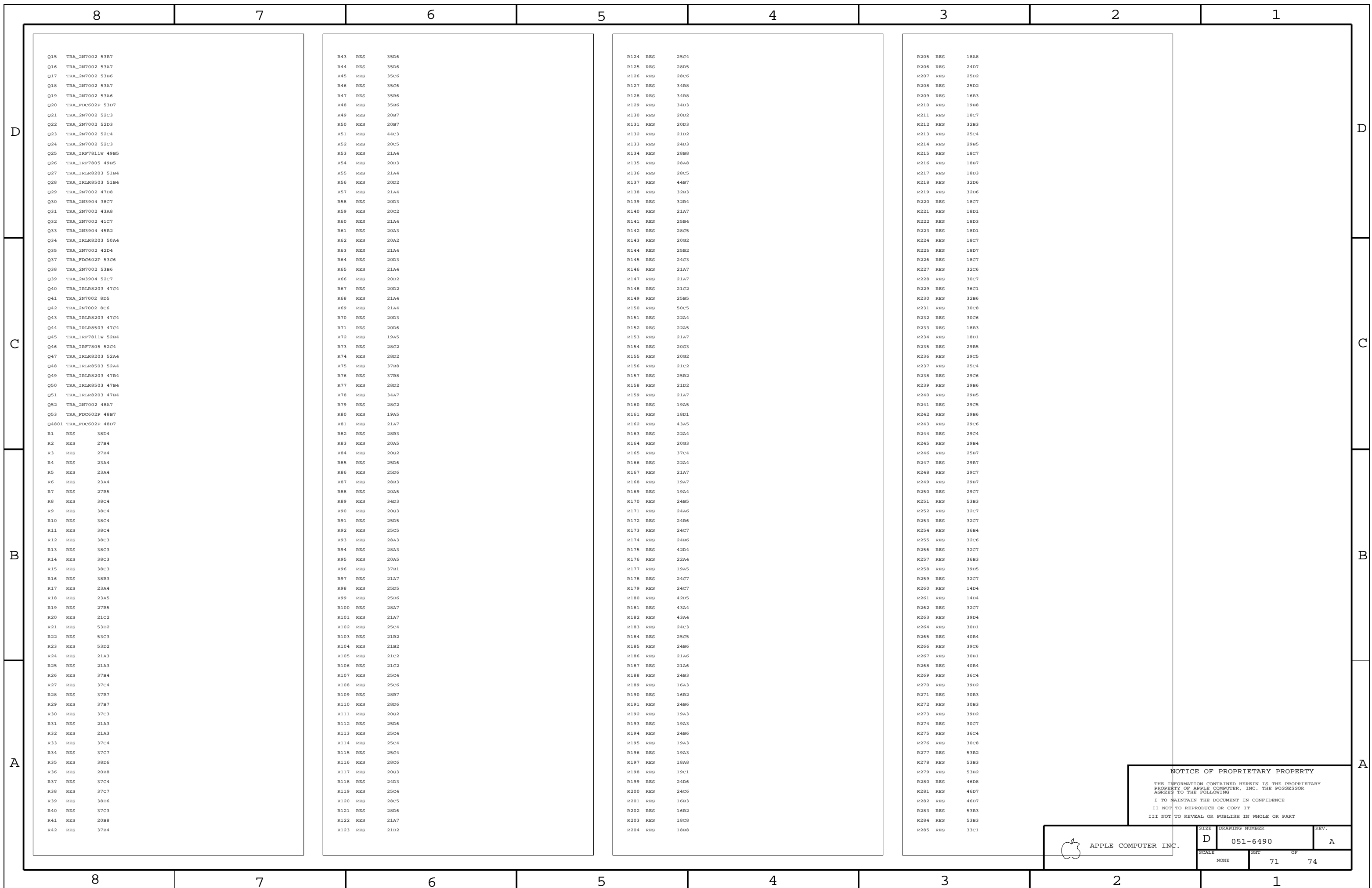
NOTICE OF PROPRIETARY PROPERTY
 THE INFORMATION CONTAINED HEREIN IS THE PROPRIETARY PROPERTY OF APPLE COMPUTER, INC. THE POSSESSOR AGREES TO THE FOLLOWING
 I TO MAINTAIN THE DOCUMENT IN CONFIDENCE
 II NOT TO REPRODUCE OR COPY IT
 III NOT TO REVEAL OR PUBLISH IN WHOLE OR PART

APPLE COMPUTER INC.	SIZE	DRAWING NUMBER	REV.
	D	051-6490	A
SCALE	SHT	OF	
NONE	69	74	



NOTICE OF PROPRIETARY PROPERTY
 THE INFORMATION CONTAINED HEREIN IS THE PROPRIETARY PROPERTY OF APPLE COMPUTER, INC. THE POSSESSOR AGREES TO THE FOLLOWING
 I TO MAINTAIN THE DOCUMENT IN CONFIDENCE
 II NOT TO REPRODUCE OR COPY IT
 III NOT TO REVEAL OR PUBLISH IN WHOLE OR PART

APPLE COMPUTER INC.	SIZE D	DRAWING NUMBER 051-6490	REV. A
	SCALE NONE	SHEET 70	OF 74



Q15 TRA_2N7002 53B7
 Q16 TRA_2N7002 53A7
 Q17 TRA_2N7002 53B6
 Q18 TRA_2N7002 53A7
 Q19 TRA_2N7002 53A6
 Q20 TRA_FDC602P 53D7
 Q21 TRA_2N7002 52C3
 Q22 TRA_2N7002 52D3
 Q23 TRA_2N7002 52C4
 Q24 TRA_2N7002 52C3
 Q25 TRA_IRF7811W 49B5
 Q26 TRA_IRF7805 49B5
 Q27 TRA_IRLR8203 51B4
 Q28 TRA_IRLR8503 51B4
 Q29 TRA_2N7002 47D8
 Q30 TRA_2N3904 38C7
 Q31 TRA_2N7002 43A8
 Q32 TRA_2N7002 41C7
 Q33 TRA_2N3904 45B2
 Q34 TRA_IRLR8203 50A4
 Q35 TRA_2N7002 42D4
 Q37 TRA_FDC602P 53C6
 Q38 TRA_2N7002 53B6
 Q39 TRA_2N3904 52C7
 Q40 TRA_IRLR8203 47C4
 Q41 TRA_2N7002 8D5
 Q42 TRA_2N7002 8C6
 Q43 TRA_IRLR8203 47C4
 Q44 TRA_IRLR8503 47C4
 Q45 TRA_IRF7811W 52B4
 Q46 TRA_IRF7805 52C4
 Q47 TRA_IRLR8203 52A4
 Q48 TRA_IRLR8503 52A4
 Q49 TRA_IRLR8203 47B4
 Q50 TRA_IRLR8503 47B4
 Q51 TRA_IRLR8203 47B4
 Q52 TRA_2N7002 48A7
 Q53 TRA_FDC602P 48B7
 Q4801 TRA_FDC602P 48D7
 R1 RES 38D4
 R2 RES 27B4
 R3 RES 27B4
 R4 RES 23A4
 R5 RES 23A4
 R6 RES 23A4
 R7 RES 27B5
 R8 RES 38C4
 R9 RES 38C4
 R10 RES 38C4
 R11 RES 38C4
 R12 RES 38C3
 R13 RES 38C3
 R14 RES 38C3
 R15 RES 38C3
 R16 RES 38B3
 R17 RES 23A4
 R18 RES 23A5
 R19 RES 27B5
 R20 RES 21C2
 R21 RES 53D2
 R22 RES 53C3
 R23 RES 53D2
 R24 RES 21A3
 R25 RES 21A3
 R26 RES 37B4
 R27 RES 37C4
 R28 RES 37B7
 R29 RES 37B7
 R30 RES 37C3
 R31 RES 21A3
 R32 RES 21A3
 R33 RES 37C4
 R34 RES 37C7
 R35 RES 38D6
 R36 RES 20B8
 R37 RES 37C4
 R38 RES 37C7
 R39 RES 38D6
 R40 RES 37C3
 R41 RES 20B8
 R42 RES 37B4

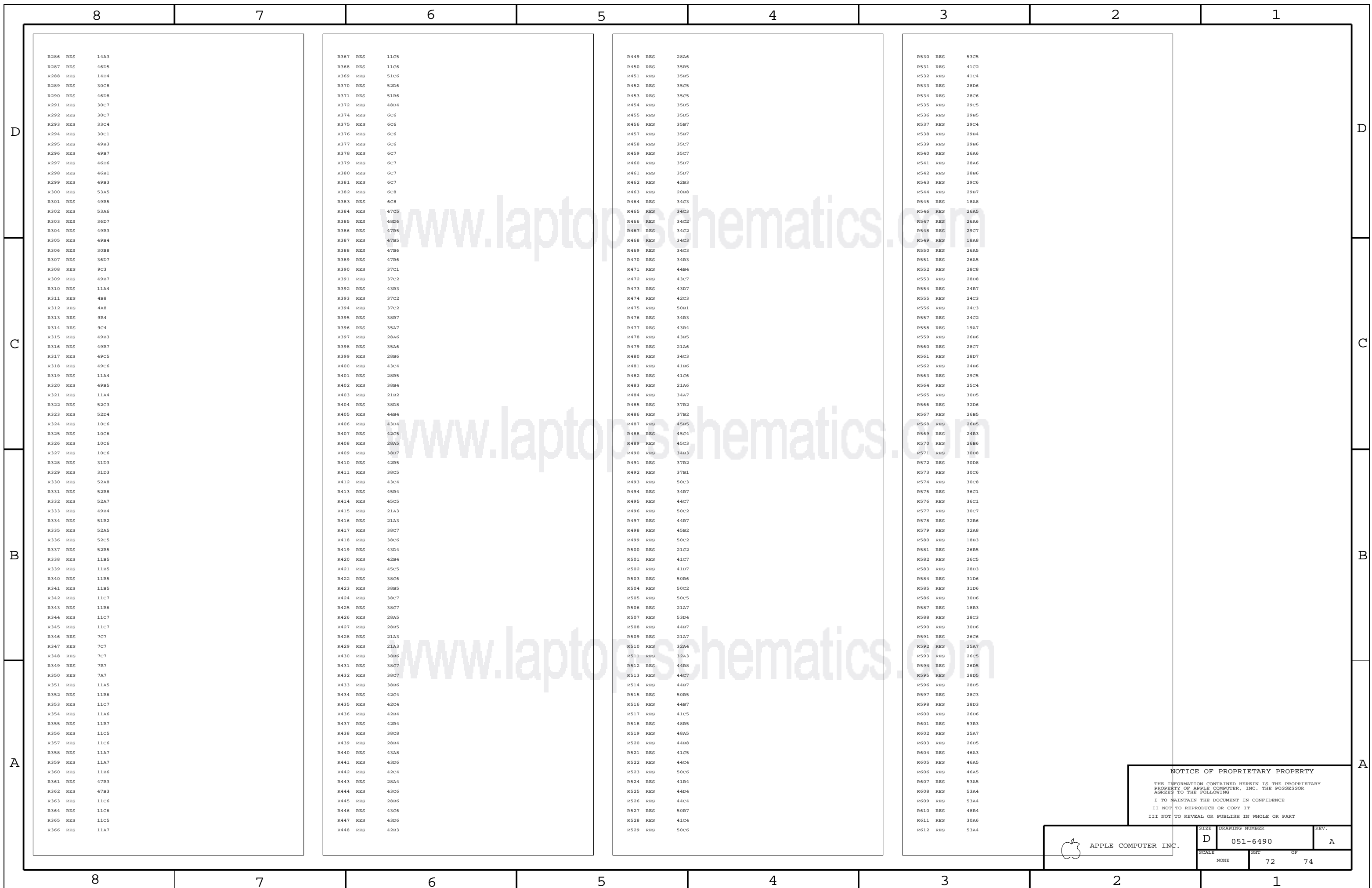
R43 RES 35D6
 R44 RES 35D6
 R45 RES 35C6
 R46 RES 35C6
 R47 RES 35B6
 R48 RES 35B6
 R49 RES 20B7
 R50 RES 20B7
 R51 RES 44C3
 R52 RES 20C5
 R53 RES 21A4
 R54 RES 20D3
 R55 RES 21A4
 R56 RES 20D2
 R57 RES 21A4
 R58 RES 20D3
 R59 RES 20C2
 R60 RES 21A4
 R61 RES 20A3
 R62 RES 20A2
 R63 RES 21A4
 R64 RES 20D3
 R65 RES 21A4
 R66 RES 20D2
 R67 RES 20D2
 R68 RES 21A4
 R69 RES 21A4
 R70 RES 20D3
 R71 RES 20D6
 R72 RES 19A5
 R73 RES 28C2
 R74 RES 28D2
 R75 RES 37B8
 R76 RES 37B8
 R77 RES 28D2
 R78 RES 34A7
 R79 RES 28C2
 R80 RES 19A5
 R81 RES 21A7
 R82 RES 28B3
 R83 RES 20A5
 R84 RES 20G2
 R85 RES 25D6
 R86 RES 25D6
 R87 RES 28B3
 R88 RES 20A5
 R89 RES 34D3
 R90 RES 20G3
 R91 RES 25D5
 R92 RES 25C5
 R93 RES 28A3
 R94 RES 28A3
 R95 RES 20A5
 R96 RES 37B1
 R97 RES 21A7
 R98 RES 25D5
 R99 RES 25D6
 R100 RES 28A7
 R101 RES 21A7
 R102 RES 25C4
 R103 RES 21B2
 R104 RES 21B2
 R105 RES 21C2
 R106 RES 21C2
 R107 RES 25C4
 R108 RES 25C6
 R109 RES 28B7
 R110 RES 28D6
 R111 RES 20G2
 R112 RES 25D6
 R113 RES 25C4
 R114 RES 25C4
 R115 RES 25C4
 R116 RES 28C6
 R117 RES 20G3
 R118 RES 24D3
 R119 RES 25C4
 R120 RES 28C5
 R121 RES 28D6
 R122 RES 21A7
 R123 RES 21D2

R124 RES 25C4
 R125 RES 28D5
 R126 RES 28C6
 R127 RES 34B8
 R128 RES 34B8
 R129 RES 34D3
 R130 RES 20D2
 R131 RES 20D3
 R132 RES 21D2
 R133 RES 24D3
 R134 RES 28B8
 R135 RES 28A8
 R136 RES 28C5
 R137 RES 44B7
 R138 RES 32B3
 R139 RES 32B4
 R140 RES 21A7
 R141 RES 25B4
 R142 RES 28C5
 R143 RES 20G2
 R144 RES 25B2
 R145 RES 24C3
 R146 RES 21A7
 R147 RES 21A7
 R148 RES 21C2
 R149 RES 25B5
 R150 RES 50C5
 R151 RES 22A4
 R152 RES 22A5
 R153 RES 21A7
 R154 RES 20G3
 R155 RES 20G2
 R156 RES 21C2
 R157 RES 25B2
 R158 RES 21D2
 R159 RES 21A7
 R160 RES 19A5
 R161 RES 18D1
 R162 RES 43A5
 R163 RES 22A4
 R164 RES 20G3
 R165 RES 37C4
 R166 RES 22A4
 R167 RES 21A7
 R168 RES 19A7
 R169 RES 19A4
 R170 RES 24B5
 R171 RES 24A6
 R172 RES 24B6
 R173 RES 24C7
 R174 RES 24B6
 R175 RES 42D4
 R176 RES 22A4
 R177 RES 19A5
 R178 RES 24C7
 R179 RES 24C7
 R180 RES 42D5
 R181 RES 43A4
 R182 RES 43A4
 R183 RES 24C3
 R184 RES 25C5
 R185 RES 24B6
 R186 RES 21A6
 R187 RES 21A6
 R188 RES 24B3
 R189 RES 16A3
 R190 RES 16B2
 R191 RES 24B6
 R192 RES 19A3
 R193 RES 19A3
 R194 RES 24B6
 R195 RES 19A3
 R196 RES 19A3
 R197 RES 18A8
 R198 RES 19C1
 R199 RES 24D6
 R200 RES 24C6
 R201 RES 16B3
 R202 RES 16B2
 R203 RES 18C8
 R204 RES 18B8

R205 RES 18A8
 R206 RES 24D7
 R207 RES 25D2
 R208 RES 25D2
 R209 RES 16B3
 R210 RES 19B8
 R211 RES 18C7
 R212 RES 32B3
 R213 RES 25C4
 R214 RES 29B5
 R215 RES 18C7
 R216 RES 18B7
 R217 RES 18D3
 R218 RES 32D6
 R219 RES 32D6
 R220 RES 18C7
 R221 RES 18D1
 R222 RES 18D3
 R223 RES 18D1
 R224 RES 18C7
 R225 RES 18D7
 R226 RES 18C7
 R227 RES 32C6
 R228 RES 30C7
 R229 RES 36C1
 R230 RES 32B6
 R231 RES 30C8
 R232 RES 30C6
 R233 RES 18B3
 R234 RES 18D1
 R235 RES 29B5
 R236 RES 29C5
 R237 RES 25C4
 R238 RES 29C6
 R239 RES 29B6
 R240 RES 29B5
 R241 RES 29C5
 R242 RES 29B6
 R243 RES 29C6
 R244 RES 29C4
 R245 RES 29B4
 R246 RES 25B7
 R247 RES 29B7
 R248 RES 29C7
 R249 RES 29B7
 R250 RES 29C7
 R251 RES 53B3
 R252 RES 32C7
 R253 RES 32C7
 R254 RES 36B4
 R255 RES 32C6
 R256 RES 32C7
 R257 RES 36B3
 R258 RES 39D5
 R259 RES 32C7
 R260 RES 14D4
 R261 RES 14D4
 R262 RES 32C7
 R263 RES 39D4
 R264 RES 30D1
 R265 RES 40B4
 R266 RES 39C6
 R267 RES 30B1
 R268 RES 40B4
 R269 RES 36C4
 R270 RES 39D2
 R271 RES 30B3
 R272 RES 30B3
 R273 RES 39D2
 R274 RES 30C7
 R275 RES 36C4
 R276 RES 30C8
 R277 RES 53B2
 R278 RES 53B3
 R279 RES 53B2
 R280 RES 46D8
 R281 RES 46D7
 R282 RES 46D7
 R283 RES 53B3
 R284 RES 53B3
 R285 RES 33C1

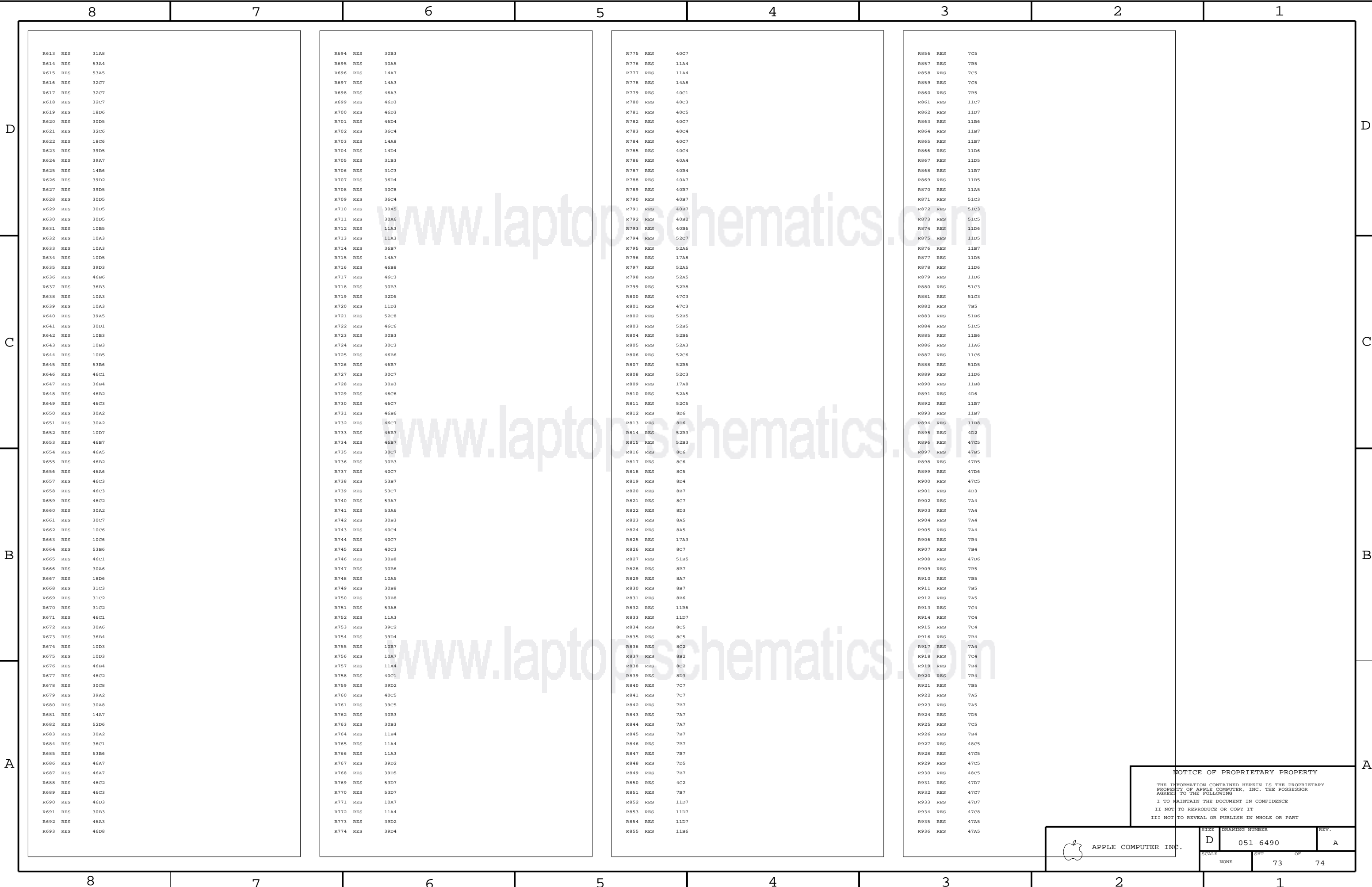
NOTICE OF PROPRIETARY PROPERTY
 THE INFORMATION CONTAINED HEREIN IS THE PROPRIETARY PROPERTY OF APPLE COMPUTER, INC. THE POSSESSOR AGREES TO THE FOLLOWING
 I TO MAINTAIN THE DOCUMENT IN CONFIDENCE
 II NOT TO REPRODUCE OR COPY IT
 III NOT TO REVEAL OR PUBLISH IN WHOLE OR PART

APPLE COMPUTER INC.	SIZE	DRAWING NUMBER	REV.
	D	051-6490	A
SCALE	SHT OF		
NONE	71	74	



NOTICE OF PROPRIETARY PROPERTY
 THE INFORMATION CONTAINED HEREIN IS THE PROPRIETARY PROPERTY OF APPLE COMPUTER, INC. THE POSSESSOR AGREES TO THE FOLLOWING
 I TO MAINTAIN THE DOCUMENT IN CONFIDENCE
 II NOT TO REPRODUCE OR COPY IT
 III NOT TO REVEAL OR PUBLISH IN WHOLE OR PART

APPLE COMPUTER INC.	SIZE	DRAWING NUMBER	REV.
	D	051-6490	A
SCALE	SHEET	OF	
NONE	72	74	



R613 RES 31A8
 R614 RES 53A4
 R615 RES 53A5
 R616 RES 32C7
 R617 RES 32C7
 R618 RES 32C7
 R619 RES 18D6
 R620 RES 30D5
 R621 RES 32C6
 R622 RES 18C6
 R623 RES 39D5
 R624 RES 39A7
 R625 RES 14B6
 R626 RES 39D2
 R627 RES 39D5
 R628 RES 30D5
 R629 RES 30D5
 R630 RES 30D5
 R631 RES 10B5
 R632 RES 10A3
 R633 RES 10A3
 R634 RES 10D5
 R635 RES 39D3
 R636 RES 46B6
 R637 RES 36B3
 R638 RES 10A3
 R639 RES 10A3
 R640 RES 39A5
 R641 RES 30D1
 R642 RES 10B3
 R643 RES 10B3
 R644 RES 10B5
 R645 RES 53B6
 R646 RES 46C1
 R647 RES 36B4
 R648 RES 46B2
 R649 RES 46C3
 R650 RES 30A2
 R651 RES 30A2
 R652 RES 10D7
 R653 RES 46B7
 R654 RES 46A5
 R655 RES 46B2
 R656 RES 46A6
 R657 RES 46C3
 R658 RES 46C3
 R659 RES 46C2
 R660 RES 30A2
 R661 RES 30C7
 R662 RES 10C6
 R663 RES 10C6
 R664 RES 53B6
 R665 RES 46C1
 R666 RES 30A6
 R667 RES 18D6
 R668 RES 31C3
 R669 RES 31C2
 R670 RES 31C2
 R671 RES 46C1
 R672 RES 30A6
 R673 RES 36B4
 R674 RES 10D3
 R675 RES 10D3
 R676 RES 46B4
 R677 RES 46C2
 R678 RES 30C8
 R679 RES 39A2
 R680 RES 30A8
 R681 RES 14A7
 R682 RES 52D6
 R683 RES 30A2
 R684 RES 36C1
 R685 RES 53B6
 R686 RES 46A7
 R687 RES 46A7
 R688 RES 46C2
 R689 RES 46C3
 R690 RES 46D3
 R691 RES 30B3
 R692 RES 46A3
 R693 RES 46D8

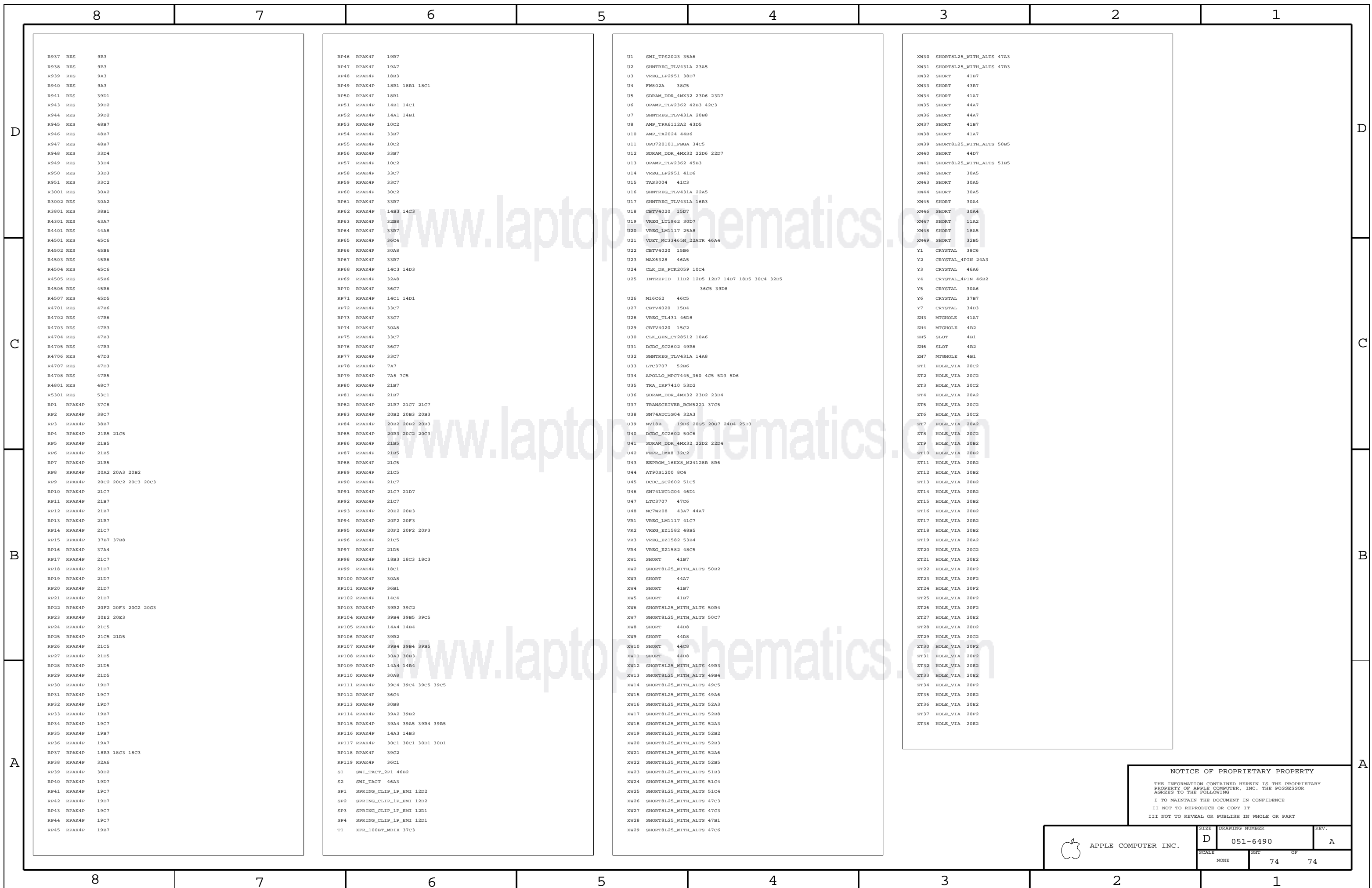
R694 RES 30B3
 R695 RES 30A5
 R696 RES 14A7
 R697 RES 14A3
 R698 RES 46A3
 R699 RES 46D3
 R700 RES 46D3
 R701 RES 46D4
 R702 RES 36C4
 R703 RES 14A8
 R704 RES 14D4
 R705 RES 31B3
 R706 RES 31C3
 R707 RES 36D4
 R708 RES 30C8
 R709 RES 36C4
 R710 RES 30A5
 R711 RES 30A6
 R712 RES 11A3
 R713 RES 11A3
 R714 RES 36B7
 R715 RES 14A7
 R716 RES 46B8
 R717 RES 46C3
 R718 RES 30B3
 R719 RES 32D5
 R720 RES 11D3
 R721 RES 52C8
 R722 RES 46C6
 R723 RES 30B3
 R724 RES 30C3
 R725 RES 46B6
 R726 RES 46B7
 R727 RES 30C7
 R728 RES 30B3
 R729 RES 46C6
 R730 RES 46C7
 R731 RES 46B6
 R732 RES 46C7
 R733 RES 46B7
 R734 RES 46B7
 R735 RES 30C7
 R736 RES 30B3
 R737 RES 40C7
 R738 RES 53B7
 R739 RES 53C7
 R740 RES 53A7
 R741 RES 53A6
 R742 RES 30B3
 R743 RES 40C4
 R744 RES 40C7
 R745 RES 40C3
 R746 RES 30B8
 R747 RES 30B6
 R748 RES 10A5
 R749 RES 30B8
 R750 RES 30B8
 R751 RES 53A8
 R752 RES 11A3
 R753 RES 39C2
 R754 RES 39D4
 R755 RES 10B7
 R756 RES 10A7
 R757 RES 11A4
 R758 RES 40C1
 R759 RES 39D2
 R760 RES 40C5
 R761 RES 39C5
 R762 RES 30B3
 R763 RES 30B3
 R764 RES 11B4
 R765 RES 11A4
 R766 RES 11A3
 R767 RES 39D2
 R768 RES 39D5
 R769 RES 53D7
 R770 RES 53D7
 R771 RES 10A7
 R772 RES 11A4
 R773 RES 39D2
 R774 RES 39D4

R775 RES 40C7
 R776 RES 11A4
 R777 RES 11A4
 R778 RES 14A8
 R779 RES 40C1
 R780 RES 40C3
 R781 RES 40C5
 R782 RES 40C7
 R783 RES 40C4
 R784 RES 40C7
 R785 RES 40C4
 R786 RES 40A4
 R787 RES 40B4
 R788 RES 40A7
 R789 RES 40B7
 R790 RES 40B7
 R791 RES 40B7
 R792 RES 40B2
 R793 RES 40B6
 R794 RES 52C7
 R795 RES 52A6
 R796 RES 17A8
 R797 RES 52A5
 R798 RES 52A5
 R799 RES 52B8
 R800 RES 47C3
 R801 RES 47C3
 R802 RES 52B5
 R803 RES 52B5
 R804 RES 52B6
 R805 RES 52A3
 R806 RES 52C6
 R807 RES 52B5
 R808 RES 52C3
 R809 RES 17A8
 R810 RES 52A5
 R811 RES 52C5
 R812 RES 8D6
 R813 RES 8D6
 R814 RES 52B3
 R815 RES 52B3
 R816 RES 8C6
 R817 RES 8C6
 R818 RES 8C5
 R819 RES 8D4
 R820 RES 8B7
 R821 RES 8C7
 R822 RES 8D3
 R823 RES 8A5
 R824 RES 8A5
 R825 RES 17A3
 R826 RES 8C7
 R827 RES 51B5
 R828 RES 8B7
 R829 RES 8A7
 R830 RES 8B7
 R831 RES 8B6
 R832 RES 11B6
 R833 RES 11D7
 R834 RES 8C5
 R835 RES 8C5
 R836 RES 8C2
 R837 RES 8B2
 R838 RES 8C2
 R839 RES 8D3
 R840 RES 7C7
 R841 RES 7C7
 R842 RES 7B7
 R843 RES 7A7
 R844 RES 7A7
 R845 RES 7B7
 R846 RES 7B7
 R847 RES 7B7
 R848 RES 7D5
 R849 RES 7B7
 R850 RES 4C2
 R851 RES 7B7
 R852 RES 11D7
 R853 RES 11D7
 R854 RES 11D7
 R855 RES 11B6

R856 RES 7C5
 R857 RES 7B5
 R858 RES 7C5
 R859 RES 7C5
 R860 RES 7B5
 R861 RES 11C7
 R862 RES 11D7
 R863 RES 11B6
 R864 RES 11B7
 R865 RES 11B7
 R866 RES 11D6
 R867 RES 11D5
 R868 RES 11B7
 R869 RES 11B5
 R870 RES 11A5
 R871 RES 51C3
 R872 RES 51C3
 R873 RES 51C5
 R874 RES 11D6
 R875 RES 11D5
 R876 RES 11B7
 R877 RES 11D5
 R878 RES 11D6
 R879 RES 11D6
 R880 RES 51C3
 R881 RES 51C3
 R882 RES 7B5
 R883 RES 51B6
 R884 RES 51C5
 R885 RES 11B6
 R886 RES 11A6
 R887 RES 11C6
 R888 RES 51D5
 R889 RES 11D6
 R890 RES 11B8
 R891 RES 4D6
 R892 RES 11B7
 R893 RES 11B7
 R894 RES 11B8
 R895 RES 4D2
 R896 RES 47C5
 R897 RES 47B5
 R898 RES 47B5
 R899 RES 47D6
 R900 RES 47C5
 R901 RES 4D3
 R902 RES 7A4
 R903 RES 7A4
 R904 RES 7A4
 R905 RES 7A4
 R906 RES 7B4
 R907 RES 7B4
 R908 RES 47D6
 R909 RES 7B5
 R910 RES 7B5
 R911 RES 7B5
 R912 RES 7A5
 R913 RES 7C4
 R914 RES 7C4
 R915 RES 7C4
 R916 RES 7B4
 R917 RES 7A4
 R918 RES 7C4
 R919 RES 7B4
 R920 RES 7B4
 R921 RES 7B5
 R922 RES 7A5
 R923 RES 7A5
 R924 RES 7D5
 R925 RES 7C5
 R926 RES 7B4
 R927 RES 48C5
 R928 RES 47C5
 R929 RES 47C5
 R930 RES 48C5
 R931 RES 47D7
 R932 RES 47C7
 R933 RES 47D7
 R934 RES 47C8
 R935 RES 47A5
 R936 RES 47A5


NOTICE OF PROPRIETARY PROPERTY
 THE INFORMATION CONTAINED HEREIN IS THE PROPRIETARY PROPERTY OF APPLE COMPUTER, INC. THE POSSESSOR AGREES TO THE FOLLOWING
 I TO MAINTAIN THE DOCUMENT IN CONFIDENCE
 II NOT TO REPRODUCE OR COPY IT
 III NOT TO REVEAL OR PUBLISH IN WHOLE OR PART

APPLE COMPUTER INC.	SIZE	DRAWING NUMBER	REV.
	D	051-6490	A
SCALE	SHEET OF		
NONE	73 OF		74



NOTICE OF PROPRIETARY PROPERTY

THE INFORMATION CONTAINED HEREIN IS THE PROPRIETARY PROPERTY OF APPLE COMPUTER, INC. THE POSSESSOR AGREES TO THE FOLLOWING:
 I TO MAINTAIN THE DOCUMENT IN CONFIDENCE
 II NOT TO REPRODUCE OR COPY IT
 III NOT TO REVEAL OR PUBLISH IN WHOLE OR PART

 APPLE COMPUTER INC.	SIZE D	DRAWING NUMBER 051-6490	REV. A
	SCALE NONE	SHEET 74	OF 74