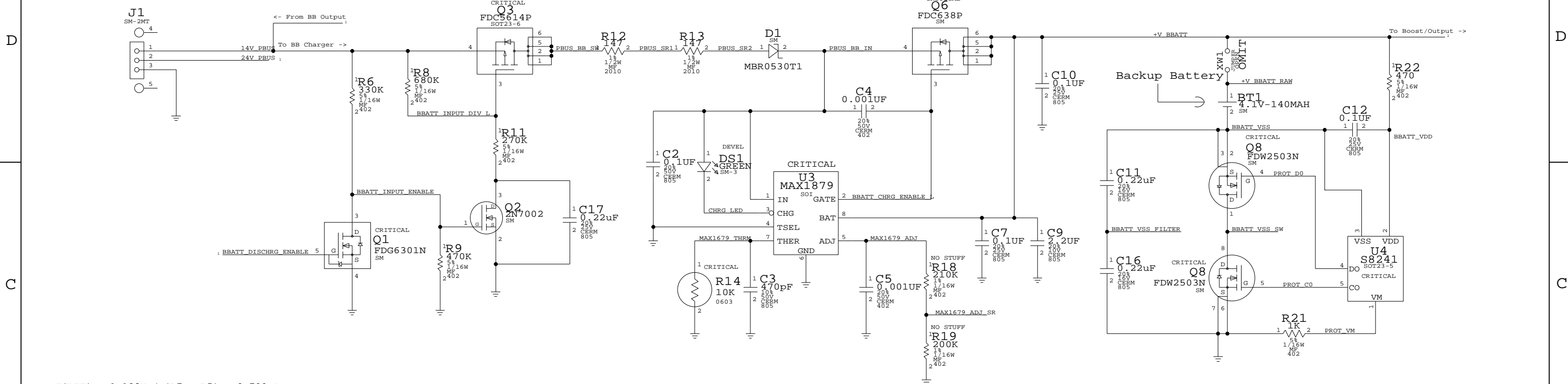


SCHEM, BKUP BATT BRD, PB15 "

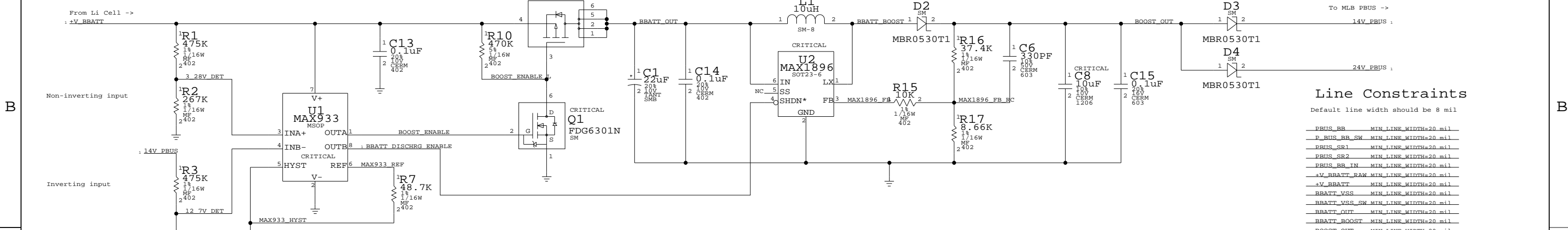
12/17/2004

REV	ZONE	ECN	DESCRIPTION OF CHANGE	CK APPD	ENG APPD
A		356275	PRODUCTION RELEASED	DATE	DATE
				12/17/04	

1. ALL RESISTANCE VALUES ARE IN OHMS, 0.1 WATT +/- 5%.
2. ALL CAPACITANCE VALUES ARE IN MICROFARADS.
3. ALL CRYSTALS & OSCILLATOR VALUES ARE IN HERTZ.



$I(REF) = 1.182V / (R7 + R5) = 0.799\mu A$
 Hysteresis band voltage (VHB) = $2 * I(REF) * R7 = 77.9mV$
 Both inputs are compared to REF - Hysteresis voltage (1.182V +/- 0.5 * VHB)



Line Constraints

- Default line width should be 8 mil
- BPBUS_BB MIN_LINE_WIDTH=20 mil
 - BPBUS_BB_SW MIN_LINE_WIDTH=20 mil
 - BPBUS_SR1 MIN_LINE_WIDTH=20 mil
 - BPBUS_SR2 MIN_LINE_WIDTH=20 mil
 - BPBUS_BB_IN MIN_LINE_WIDTH=20 mil
 - +V_BBATT_RAW MIN_LINE_WIDTH=20 mil
 - +V_BBATT MIN_LINE_WIDTH=20 mil
 - BBATT_VSS MIN_LINE_WIDTH=20 mil
 - BBATT_VSS_SW MIN_LINE_WIDTH=20 mil
 - BBATT_OUT MIN_LINE_WIDTH=20 mil
 - BBATT_BOOST MIN_LINE_WIDTH=20 mil
 - BOOST_OUT MIN_LINE_WIDTH=20 mil
 - /GND MIN_LINE_WIDTH=20 mil

REVISION HISTORY

- REV 01 (07/01/04) - 1/ SCHEMATIC ORIGINATED FROM Q16A ENZO
- REV A (12/17/04) - 1/ SCHEMATIC RELEASE FOR PRODUCTION

PART#	QTY	DESCRIPTION	REFERENCE DESIGNATOR(S)	BOM OPTION
051-6687	1	SCHEM, BKUP BATT BRD, PB15	SCH1	
820-1686	1	PCBF, BKUP BATT BRD, PB15	PCB1	

DIMENSIONS ARE IN MILLIMETERS		METRIC		Apple Computer Inc.	
XX :	_____	DRAPTR	DESIGN CK	NOTICE OF PROPRIETARY PROPERTY THE INFORMATION CONTAINED HEREIN IS THE PROPRIETARY PROPERTY OF APPLE COMPUTER, INC. THE POSSESSOR AGREES TO THE FOLLOWING: I TO MAINTAIN THE DOCUMENT IN CONFIDENCE II NOT TO REPRODUCE OR COPY IT III NOT TO REVEAL OR PUBLISH IN WHOLE OR PART	
X.XX :	_____	ENG APPD	MFG APPD		
X.XXX :	_____	QA APPD	DESIGNER		
ANGLES :	_____	RELEASE	SCALE		
DO NOT SCALE DRAWING		NONE		TITLE	
THIRD ANGLE PROJECTION		MATERIAL/FINISH NOTED AS APPLICABLE		DRAWING NUMBER	
		SIZE D		051-6687	
				REV. A	
				SHT 1 OF 1	

www.laptop-schematics.com