

SCHEM, RT SENSOR BRD, PB15 "

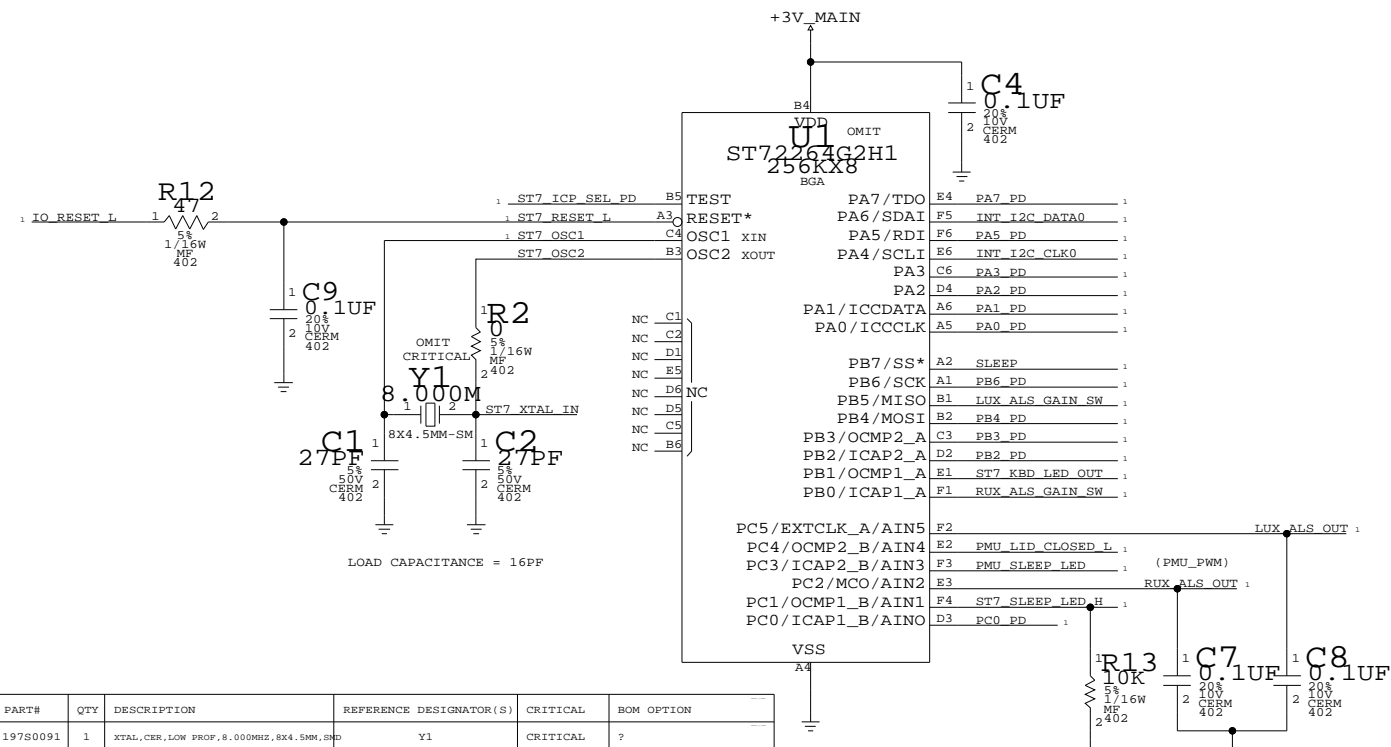
12-17-2004

PART#	QTY	DESCRIPTION	REFERENCE DESIGNATOR(S)	CRITICAL	BOM OPTION
341S1194	1	IC, LMU, PB4	U1	CRITICAL	

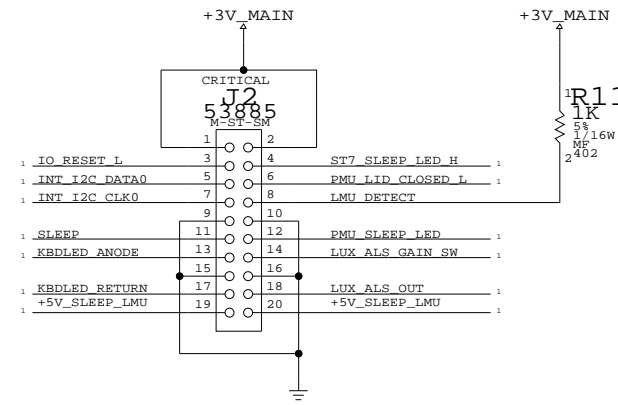
REVISION HISTORY

REV 01 (PROTO/EVT)
 06/28/04 CHANGE KB LED DRIVER U2 MAX1916 TO U4 MP1518DJ
 CHANGE J2 PIN 13 FROM KBD_LED1_OUT TO KBDLED_ANODE
 CHANGE J2 PIN 17 TO KBDLED_RETURN
 CHANGE J2 PIN 15, 17 TO GND
 CHANGE J2 PIN 19, 20 TO +5V_SLEEP_LMU
 CHANGE J2 PIN 18 TO LUX_ALS_OUT
 07/07/04 UPDATE L10 WITH 152S0225
 REV 02 (EVT2)
 08/14/04 UPDATE U4 WITH 353S0945
 UPDATE C210 WITH 138S0351
 UPDATE R233 WITH 106S4164
 08/29/04 UPDATE L10 WITH 152S0235
 REV 03 (DVT)
 11/15/04 UPDATE Y1 WITH 197S0091
 REV A
 12/17/04 SCHEMATIC RELEASE FOR PRODUCTION

LMU

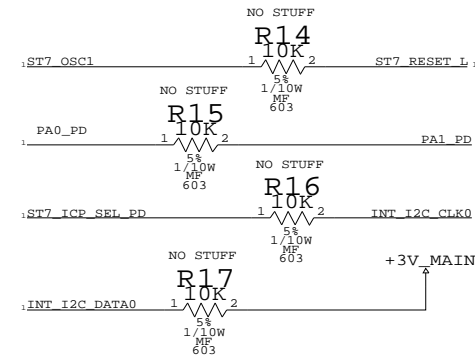


BOARD CONNECTOR

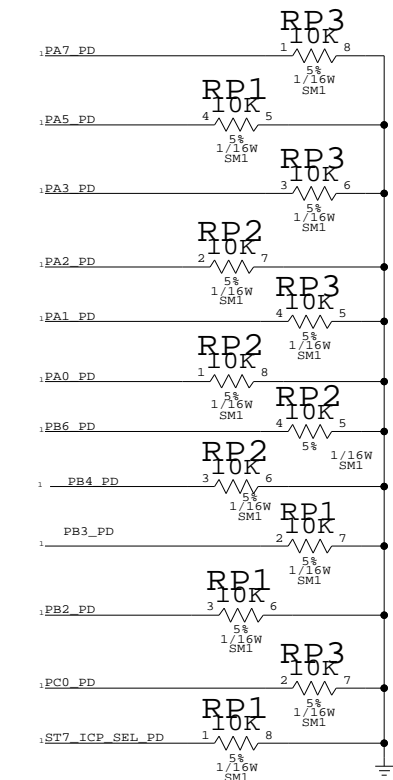


DEBUG PADS FOR LMU

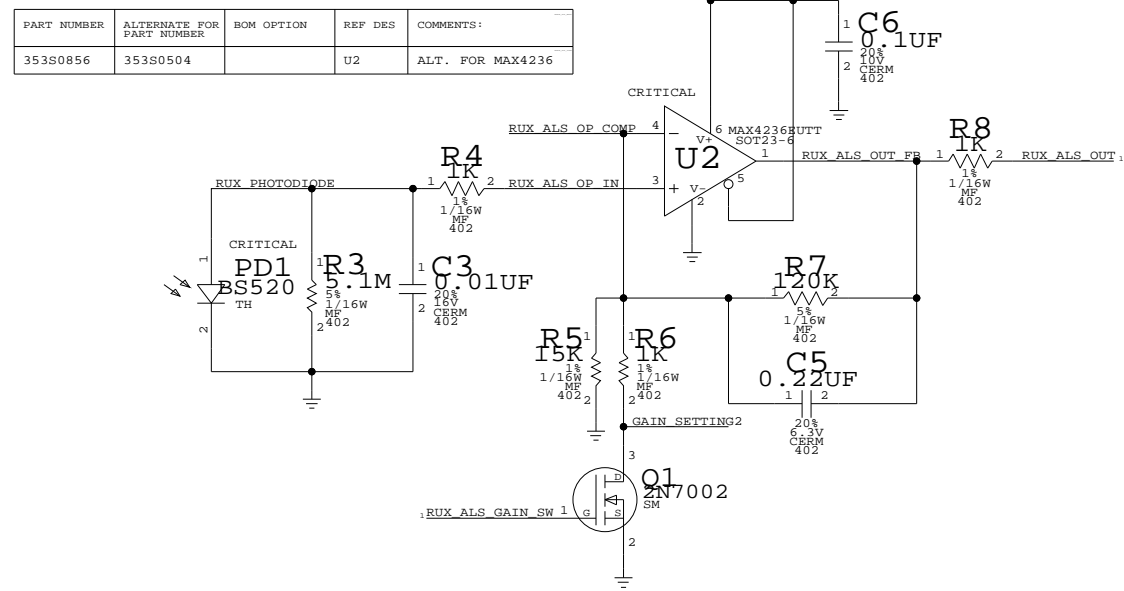
DO NOT STUFF THESE 4 RESISTORS



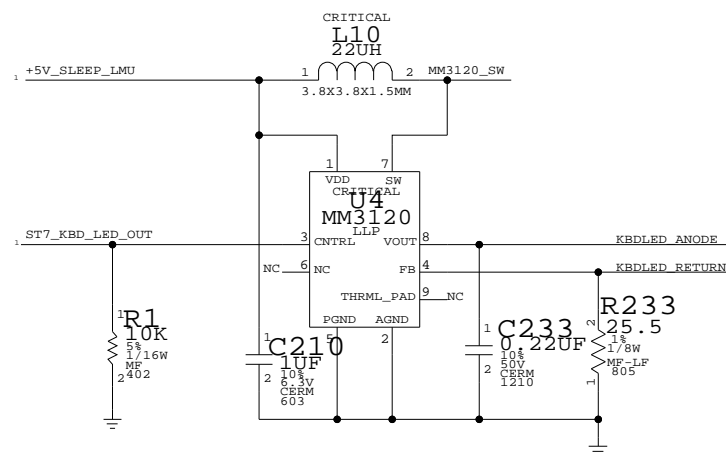
LMU PULL-DOWNS



RIGHT ALS SENSOR



Keyboard LED Driver



PART#	QTY	DESCRIPTION	REFERENCE DESIGNATOR(S)	CRITICAL	BOM OPTION
197S0091	1	XTAL., CER., LOW PROF., 8.000MHZ, 8X4.5MM, END	Y1	CRITICAL	?

PART NUMBER	ALTERNATE FOR PART NUMBER	BOM OPTION	REF DES	COMMENTS:
353S0856	353S0504		U2	ALT. FOR MAX4236

PART#	QTY	DESCRIPTION	REFERENCE DESIGNATOR(S)	BOM OPTION
051-6702	1	SCHEM, RT SENSOR BRD, PB15	SCH1	
820-1691	1	PCBF, RT SENSOR BRD, PB15	PCB1	

NOTICE OF PROPRIETARY PROPERTY
 THE INFORMATION CONTAINED HEREIN IS THE PROPRIETARY PROPERTY OF APPLE COMPUTER, INC. THE POSSESSOR AGREES TO THE FOLLOWING
 I TO MAINTAIN THE DOCUMENT IN CONFIDENCE
 II NOT TO REPRODUCE OR COPY IT
 III NOT TO REVEAL OR PUBLISH IN WHOLE OR PART

APPLE COMPUTER INC.	SIZE	DRAWING NUMBER	REV.
	D	051-6702	A
SCALE	SHT	OF	1
NONE	1	1	

www.laptop-schematics.com