

8

7

6

5

4

3

2

1

- 1. ALL RESISTANCE VALUES ARE IN OHMS, 0.1 WATT +/- 5%.
- 2. ALL CAPACITANCE VALUES ARE IN MICROFARADS.
- 3. ALL CRYSTALS & OSCILLATOR VALUES ARE IN HERTZ.

10/04/05

REV	ZONE	ECN	DESCRIPTION OF CHANGE	CK APPD DATE	ENG APPD DATE
D		403662	PRODUCTION RELEASED	10/05/05	?

PART#	QTY	DESCRIPTION	REFERENCE DESIGNATOR(S)	BOM OPTION
051-6869	1	SCHEMATICS, M23 DC/DC BOARD	SCH1	
820-1955	1	PCBF, M23 DC/DC BOARD	FAB1	

Preliminary

D

D

C

C

B

B

A

A

8

7

6

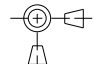

5

4

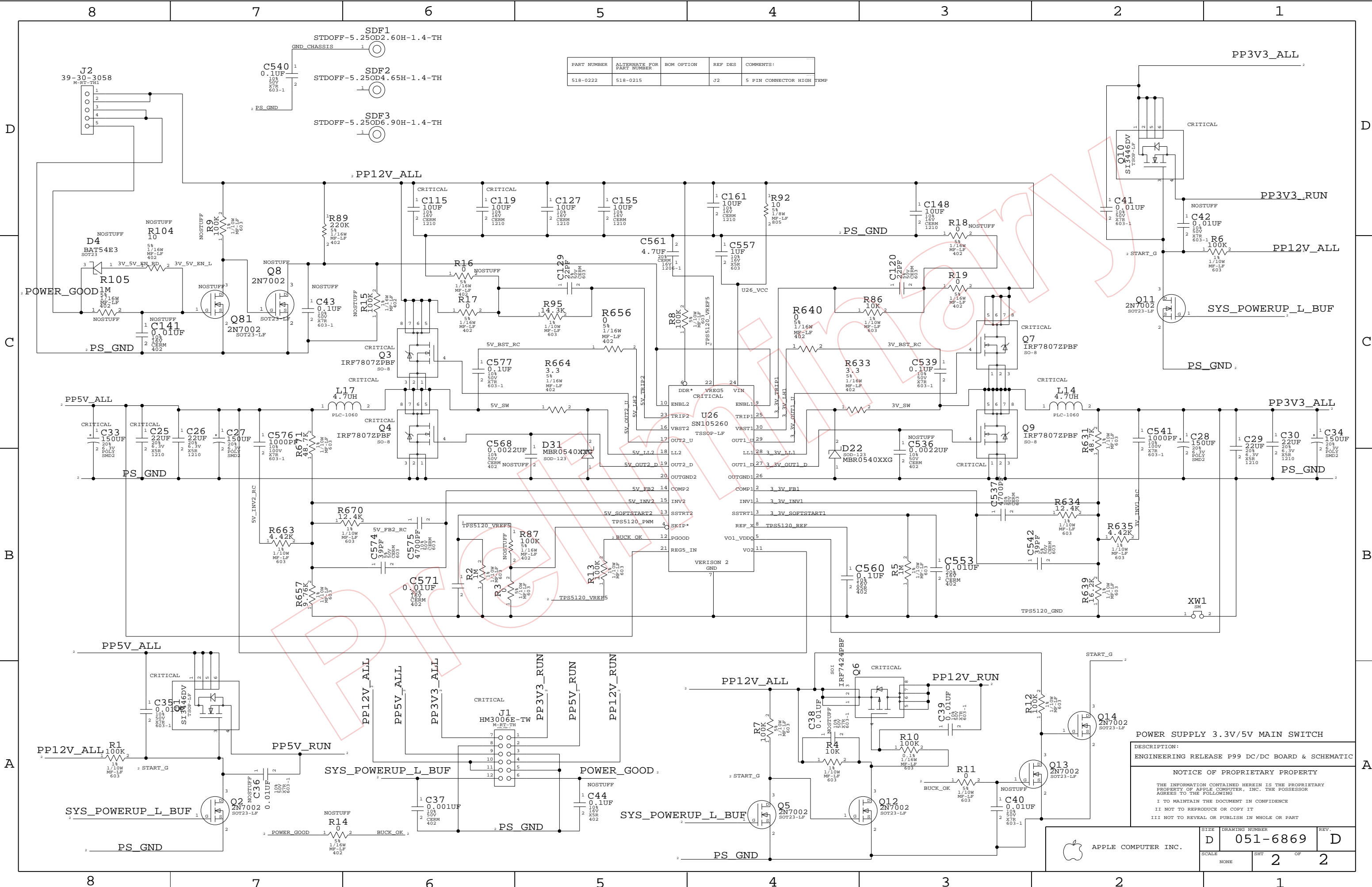
3

2

1

DIMENSIONS ARE IN MILLIMETERS XX : _____ X.XX : _____ X.XXX : _____ ANGLES : _____ DO NOT SCALE DRAWING  THIRD ANGLE PROJECTION	METRIC		 Apple Computer Inc. NOTICE OF PROPRIETARY PROPERTY THE INFORMATION CONTAINED HEREIN IS THE PROPRIETARY PROPERTY OF APPLE COMPUTER, INC. THE POSSESSOR AGREES TO THE FOLLOWING I TO MAINTAIN THE DOCUMENT IN CONFIDENCE II NOT TO REPRODUCE OR COPY IT III NOT TO REVEAL OR PUBLISH IN WHOLE OR PART	
	DRAFTER <input checked="" type="checkbox"/>	DESIGN CK <input checked="" type="checkbox"/>		TITLE SCH, DC/DC, IMG5, 17
	ENG APPD <input checked="" type="checkbox"/>	MFG APPD <input checked="" type="checkbox"/>		DRAWING NUMBER 051-6869
	QA APPD <input checked="" type="checkbox"/>	DESIGNER <input checked="" type="checkbox"/>		REV. D
RELEASE <input checked="" type="checkbox"/>	SCALE NONE	SHT 1 OF 2		
MATERIAL/FINISH NOTED AS APPLICABLE	SIZE D			

PART NUMBER	ALTERNATE FOR PART NUMBER	BOM OPTION	REF DES	COMMENTS
518-0222	518-0215		J2	5 PIN CONNECTOR HIGH TEMP



POWER SUPPLY 3.3V/5V MAIN SWITCH

DESCRIPTION:
ENGINEERING RELEASE P99 DC/DC BOARD & SCHEMATIC

NOTICE OF PROPRIETARY PROPERTY

THE INFORMATION CONTAINED HEREIN IS THE PROPRIETARY PROPERTY OF APPLE COMPUTER, INC. THE POSSESSOR AGREES TO THE FOLLOWING

I TO MAINTAIN THE DOCUMENT IN CONFIDENCE
 II NOT TO REPRODUCE OR COPY IT
 III NOT TO REVEAL OR PUBLISH IN WHOLE OR PART

APPLE COMPUTER INC.	SIZE	DRAWING NUMBER	REV.
	D	051-6869	D
SCALE	SHT	OF	
NONE	2	2	

www.laptop-schematics.com