

8

7

6

5

4

3

2

1

- 1. ALL RESISTANCE VALUES ARE IN OHMS, 0.1 WATT +/- 5%.
- 2. ALL CAPACITANCE VALUES ARE IN MICROFARADS.
- 3. ALL CRYSTALS & OSCILLATOR VALUES ARE IN HERTZ.

REV	ZONE	ECN	DESCRIPTION OF CHANGE	CK APPD DATE	ENG APPD DATE
				?	?

SCHEM, LIO/AUDIO , MacBook Pro 15"

9/22/06

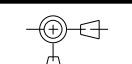

www.laptop-schematics.com

PDF PAGE	CSA PAGE	CONTENTS	SYNC MASTER	DATE
1	1	Table of Contents		
2	2	Block Diagram		
3	4	BOM Configuration	(Master)	(Master)
4	6	Aliases	(Master)	(Master)
5	51	Left USB Port	(Master)	(Master)
6	53	ExpressCard Connector	(Master)	(Master)
7	54	PCI-E MiniCard Connector	(Master)	(Master)
8	55	MLB I/O Board Connector	(Master)	(Master)
9	68	AUDIO: CODEC	AUDIO_MBP15	08/15/2006
10	72	AUDIO: SPEAKER AMP	AUDIO_MBP15	08/15/2006
11	73	AUDIO: JACKS	AUDIO_MBP15	08/15/2006
12	74	AUDIO: JACK TRANSLATORS	AUDIO_MBP15	08/15/2006
13	78	3.3V Supply	(Master)	(Master)
14	82	DC-In & Battery Connectors	(Master)	(Master)
15	83	PBus Supply & Batt. Charger	(Master)	(Master)
16	84	Current & Thermal Sensors	(Master)	(Master)
17	85	Cross Reference Page		
18	86	Cross Reference Page		

www.laptop-schematics.com

www.laptop-schematics.com

PART#	QTY	DESCRIPTION	REFERENCE DESIGNATOR(S)	CRITICAL	BOM OPTION
051-7146	1	SCHEM, LIO/AUDIO, MacBook Pro 15	SCH1	CRITICAL	
820-2055	1	PCBF, LIO/AUDIO, MacBook Pro 15	PCB1	CRITICAL	

<p style="text-align: center;">DIMENSIONS ARE IN MILLIMETERS</p> <p>XX : _____</p> <p>X.XX : _____</p> <p>X.XXX : _____</p> <p>ANGLES : _____</p> <p style="text-align: center;">DO NOT SCALE DRAWING</p> <div style="text-align: center;">  <p>THIRD ANGLE PROJECTION</p> </div>	<p>METRIC</p>	<p style="text-align: center;"> Apple Computer Inc.</p> <p style="text-align: center;">NOTICE OF PROPRIETARY PROPERTY</p> <p style="font-size: 8px;">THE INFORMATION CONTAINED HEREIN IS THE PROPRIETARY PROPERTY OF APPLE COMPUTER, INC. THE POSSESSOR AGREES TO THE FOLLOWING</p> <p style="font-size: 8px;">I TO MAINTAIN THE DOCUMENT IN CONFIDENCE II NOT TO REPRODUCE OR COPY IT III NOT TO REVEAL OR PUBLISH IN WHOLE OR PART</p> <p style="text-align: center;">TITLE</p> <p style="text-align: center;">SCHEM, LIO/AUDIO, MacBook Pro 15</p> <p style="text-align: center;">DRAWING NUMBER 051-7146 REV. A</p> <p style="text-align: right; font-size: 8px;">SHT 1 OF 18</p>
<p>RELEASE</p> <p>MATERIAL/FINISH NOTED AS APPLICABLE</p>	<p>DESIGN CR</p> <p>MFG APPD</p> <p>DESIGNER</p> <p>SCALE NONE</p> <p>SIZE D</p>	

8

7

6

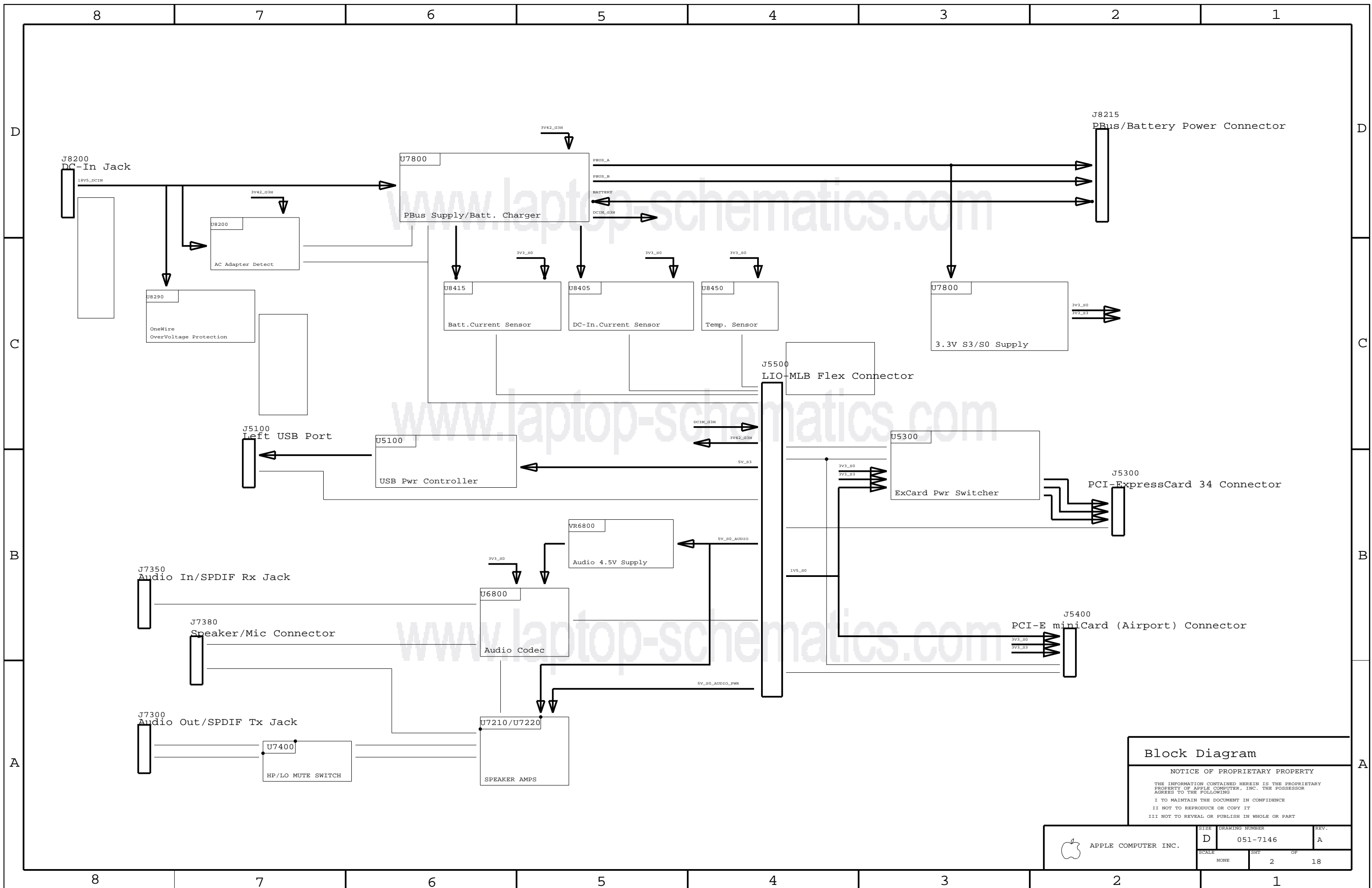
5

4

3

2

1



Block Diagram

NOTICE OF PROPRIETARY PROPERTY
 THE INFORMATION CONTAINED HEREIN IS THE PROPRIETARY PROPERTY OF APPLE COMPUTER, INC. THE POSSESSOR AGREES TO THE FOLLOWING
 I TO MAINTAIN THE DOCUMENT IN CONFIDENCE
 II NOT TO REPRODUCE OR COPY IT
 III NOT TO REVEAL OR PUBLISH IN WHOLE OR PART

APPLE COMPUTER INC.	SIZE	DRAWING NUMBER	REV.
	D	051-7146	A
SCALE	SHT	OF	
NONE	2	18	

8

7

6

5

4

3

2

1

BOM NUMBER	BOM NAME	BOM OPTIONS
630-7709	PCBA,LIO/AUDIO,MacBook Pro 15	ALTERNATE,COMMON,M59_COMMON

BOM GROUP	BOM OPTIONS
M59_COMMON	ISL6255A

Bar Code Label / EEE #'s

PART NUMBER	QTY	DESCRIPTION	REFERENCE DES	CRITICAL	BOM OPTION
000-0041	1	PLACEHOLDER FOR EEE/CCC INFO	[EEE:W39]	CRITICAL	

Alternate Parts

PART NUMBER	ALTERNATE FOR PART NUMBER	BOM OPTION	REF DES	COMMENTS:
37650448	37650445		ALL	S17806A2N for F5M6296
12850081	12850061		ALL	150UF, 6.3V, 25MHV, C2
12850093	12850092		ALL	33UF, 16V, 45MHV, D2E

www.laptop-schematics.com

www.laptop-schematics.com

www.laptop-schematics.com

BOM Configuration

SYNC_MASTER=(Master) SYNC_DATE=(Master)

NOTICE OF PROPRIETARY PROPERTY

THE INFORMATION CONTAINED HEREIN IS THE PROPRIETARY PROPERTY OF APPLE COMPUTER, INC. THE POSSESSOR AGREES TO THE FOLLOWING

I TO MAINTAIN THE DOCUMENT IN CONFIDENCE
 II NOT TO REPRODUCE OR COPY IT
 III NOT TO REVEAL OR PUBLISH IN WHOLE OR PART

 APPLE COMPUTER INC.	SIZE D	DRAWING NUMBER 051-7146	REV. A
	SCALE NONE	SHIT 3	OF 18

8

7

6

5

4

3

2

1

D

D

C

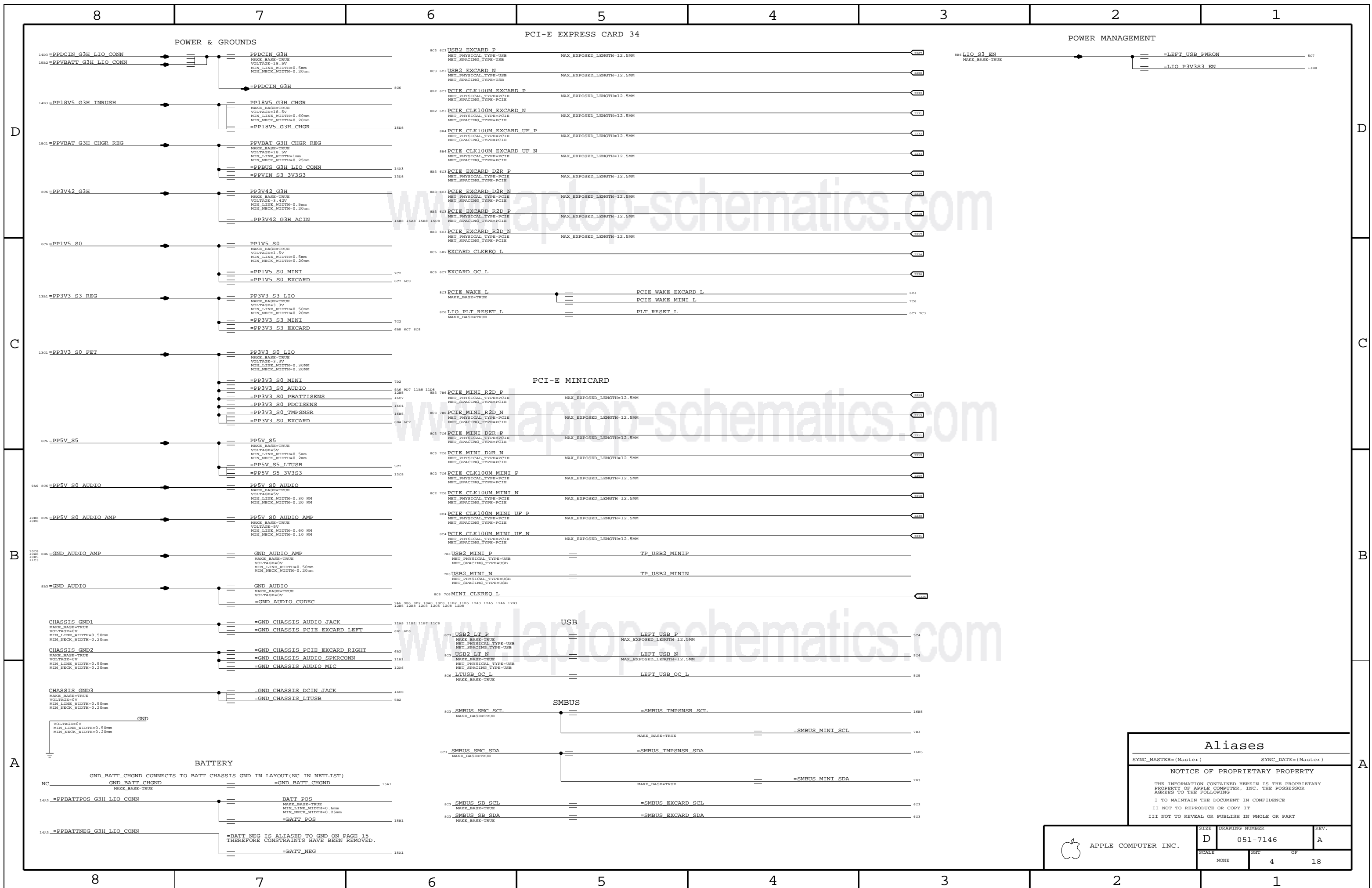
C

B

B

A

A



Aliases

SYNC_MASTER=(Master) SYNC_DATE=(Master)

NOTICE OF PROPRIETARY PROPERTY

THE INFORMATION CONTAINED HEREIN IS THE PROPRIETARY PROPERTY OF APPLE COMPUTER, INC. THE POSSESSOR AGREES TO THE FOLLOWING

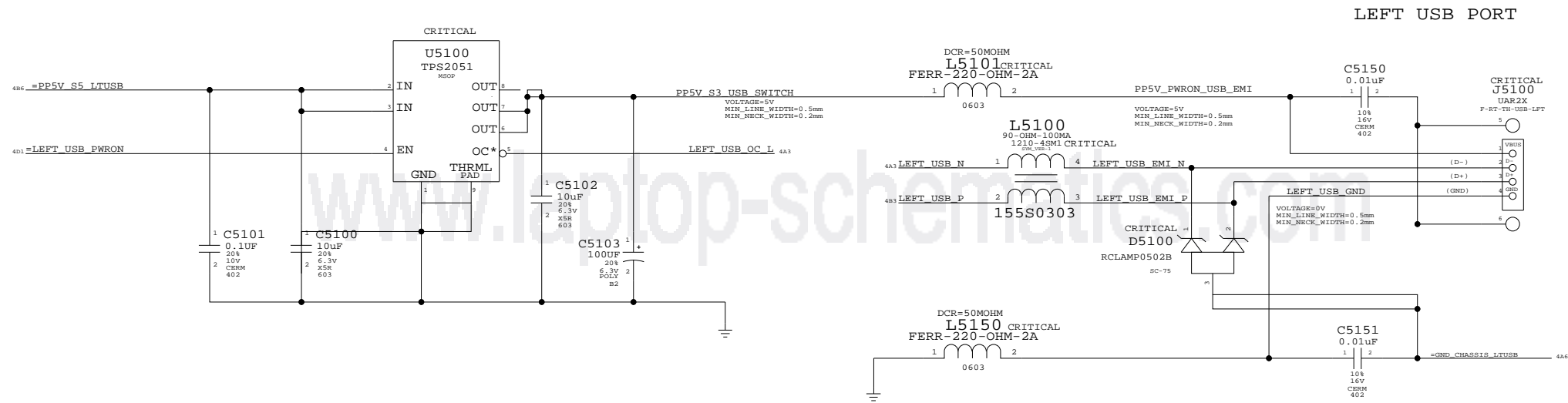
I TO MAINTAIN THE DOCUMENT IN CONFIDENCE

II NOT TO REPRODUCE OR COPY IT

III NOT TO REVEAL OR PUBLISH IN WHOLE OR PART

APPLE COMPUTER INC.	SIZE	DRAWING NUMBER	REV.
	D	051-7146	A
SCALE	SHT	OF	
NONE	4		18

www.laptop-schematics.com



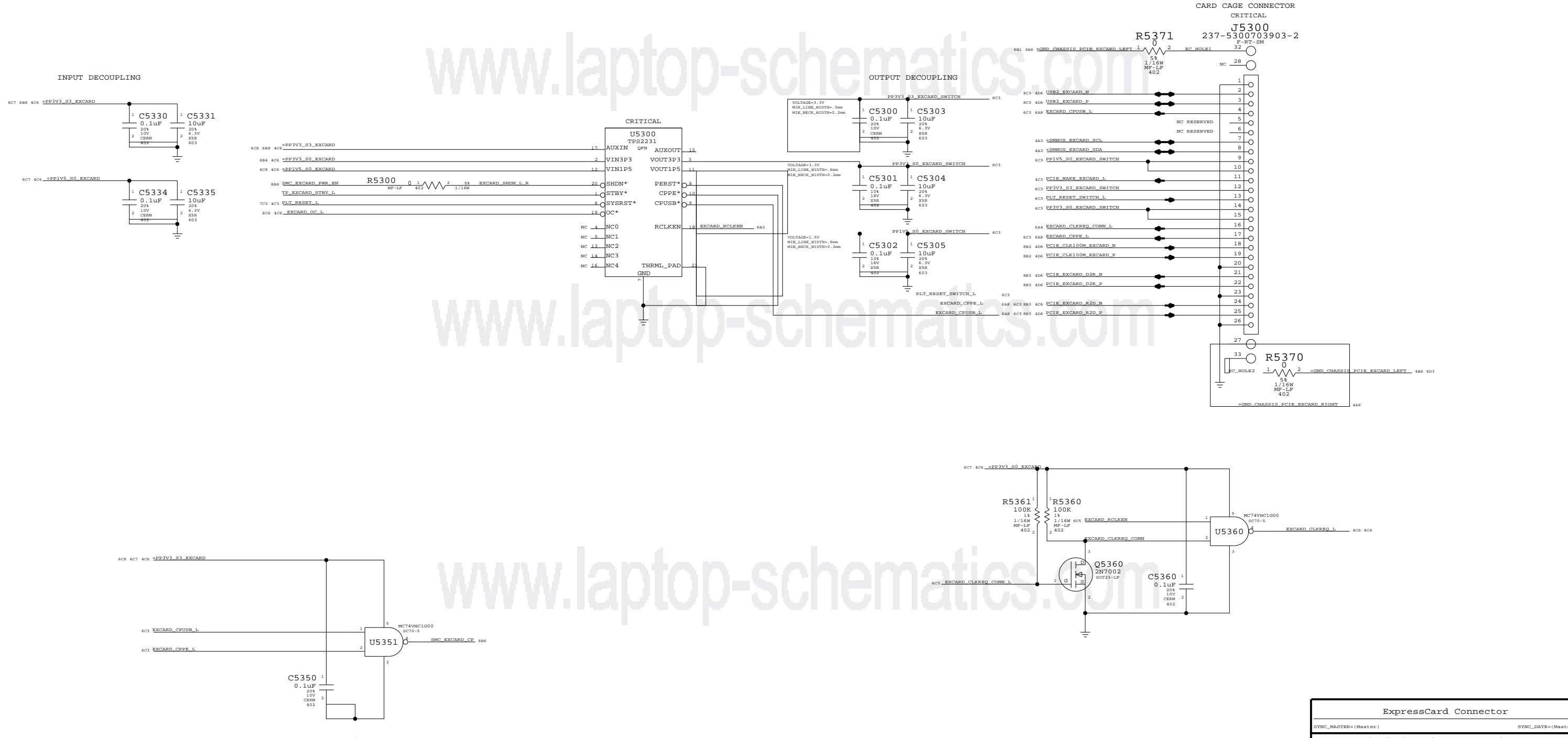
PUT L5100, L5101, AND L5150 ACROSS THE MOAT

www.laptop-schematics.com

Left USB Port
SYNC_MASTER=(Master) SYNC_DATE=(Master)
NOTICE OF PROPRIETARY PROPERTY
THE INFORMATION CONTAINED HEREIN IS THE PROPRIETARY PROPERTY OF APPLE COMPUTER, INC. THE POSSESSOR AGREES TO THE FOLLOWING
I TO MAINTAIN THE DOCUMENT IN CONFIDENCE
II NOT TO REPRODUCE OR COPY IT
III NOT TO REVEAL OR PUBLISH IN WHOLE OR PART

APPLE COMPUTER INC.	SIZE	DRAWING NUMBER	REV.
	D	051-7146	A
SCALE	SHT		OF
NONE	5		18

EXPRESSCARD/34 TOP MOUNT CONNECTOR



ExpressCard Connector
 SYNC_MASTER=(Master) SYNC_DATA=(Master)

NOTICE OF PROPRIETARY PROPERTY
 THE INFORMATION CONTAINED HEREIN IS THE PROPRIETARY PROPERTY OF APPLE COMPUTER, INC. THE POSSESSOR AGREES TO THE FOLLOWING
 I TO MAINTAIN THE DOCUMENT IN CONFIDENCE
 II NOT TO REPRODUCE OR COPY IT
 III NOT TO REVEAL OR PUBLISH IN WHOLE OR PART

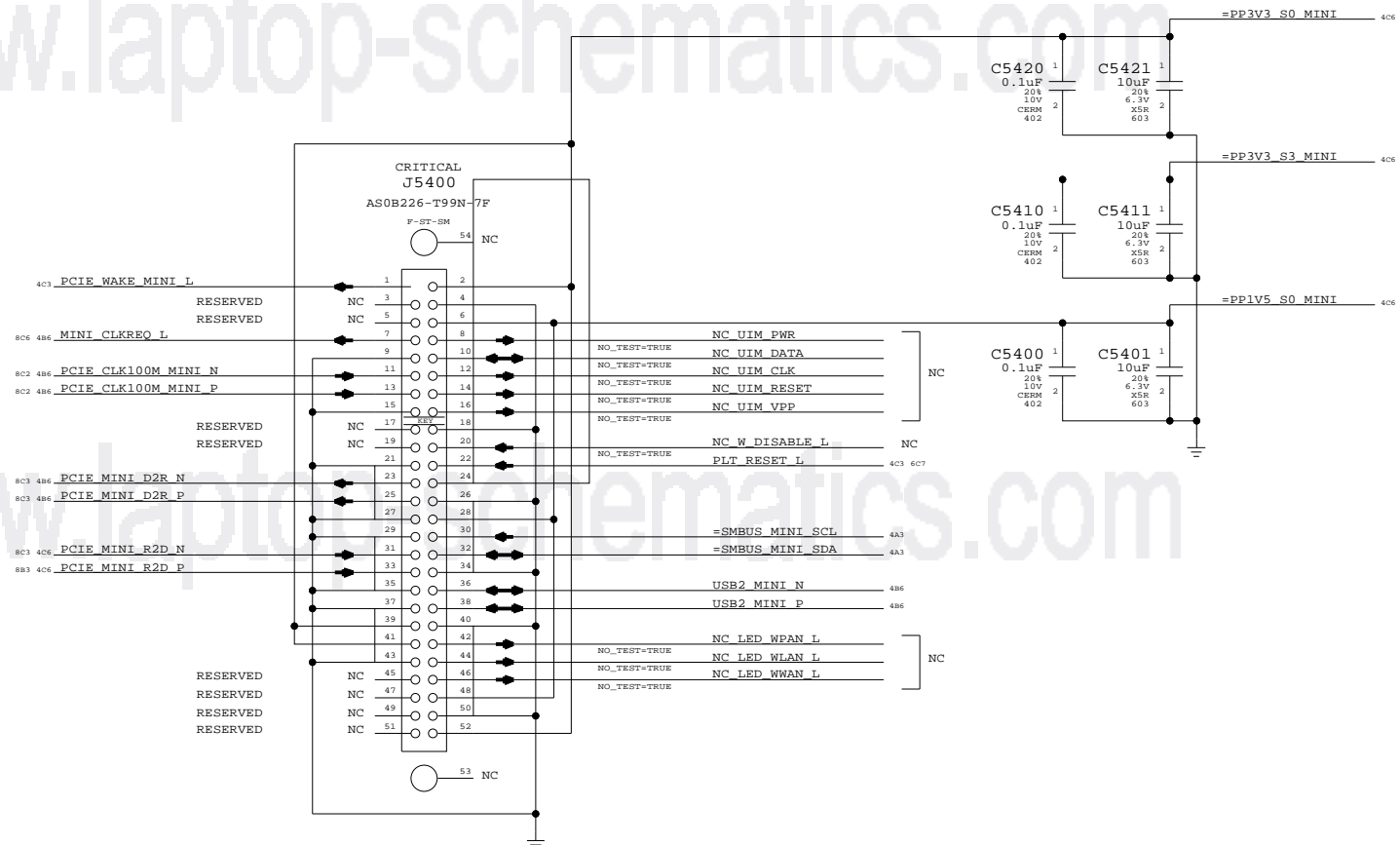
APPLE COMPUTER INC.	SIZE	DRAWING NUMBER	REV.
	D	051-7146	A
SCALE	NONE	SHT	OF
		6	18

PCI-EXPRESS MINI CARD CONNECTOR

www.laptop-schematics.com

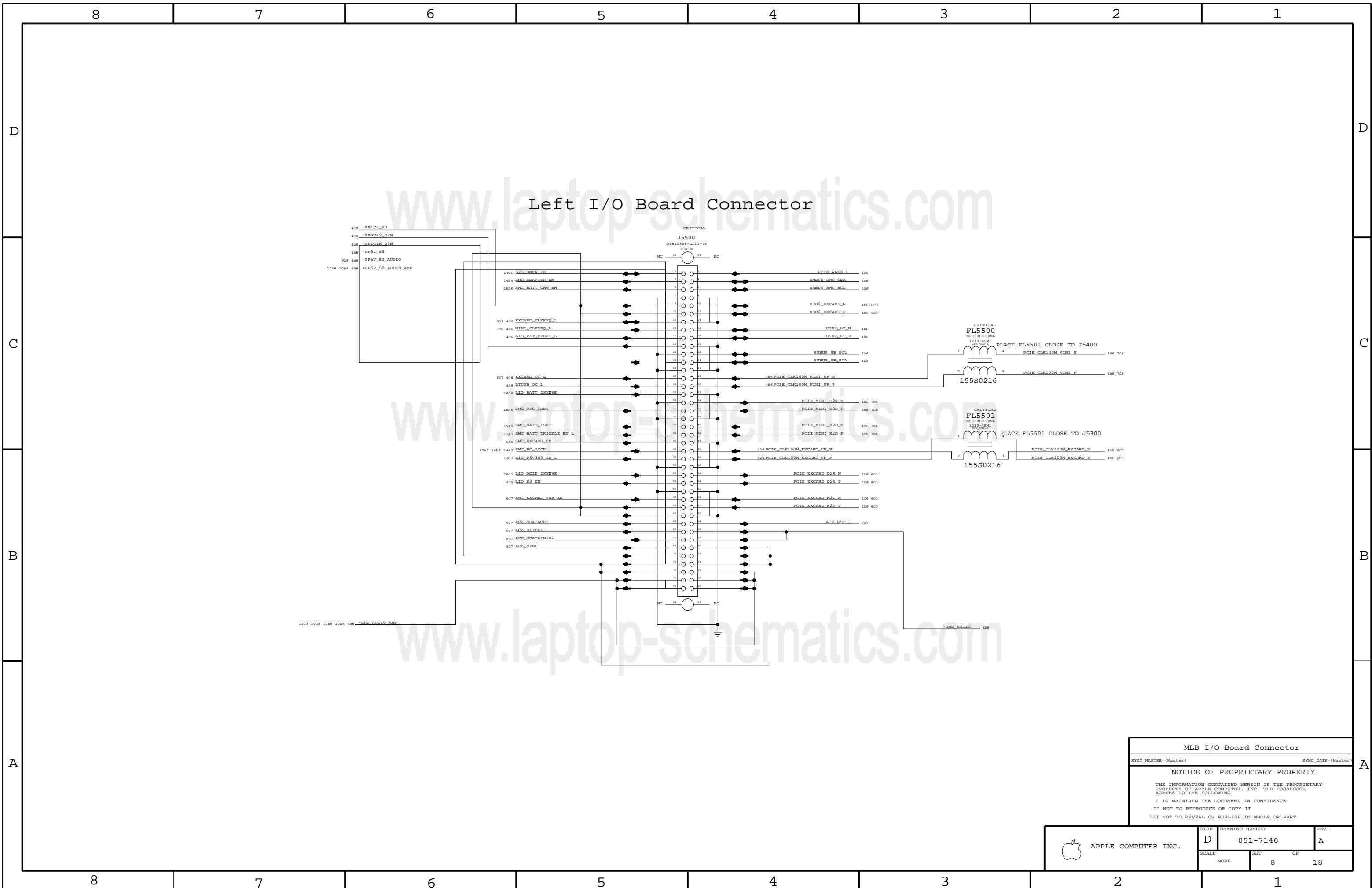
www.laptop-schematics.com

www.laptop-schematics.com



PCI-E MiniCard Connector
 SYNC_MASTER=(Master) SYNC_DATA=(Master)
NOTICE OF PROPRIETARY PROPERTY
 THE INFORMATION CONTAINED HEREIN IS THE PROPRIETARY PROPERTY OF APPLE COMPUTER, INC. THE POSSESSOR AGREES TO THE FOLLOWING
 I TO MAINTAIN THE DOCUMENT IN CONFIDENCE
 II NOT TO REPRODUCE OR COPY IT
 III NOT TO REVEAL OR PUBLISH IN WHOLE OR PART

APPLE COMPUTER INC.	SIZE	DRAWING NUMBER	REV.
	D	051-7146	A
SCALE	NONE	SHT	OF
		7	18



MLB I/O Board Connector

SYNC_MASTER=(Master) SYNC_DATA=(Master)

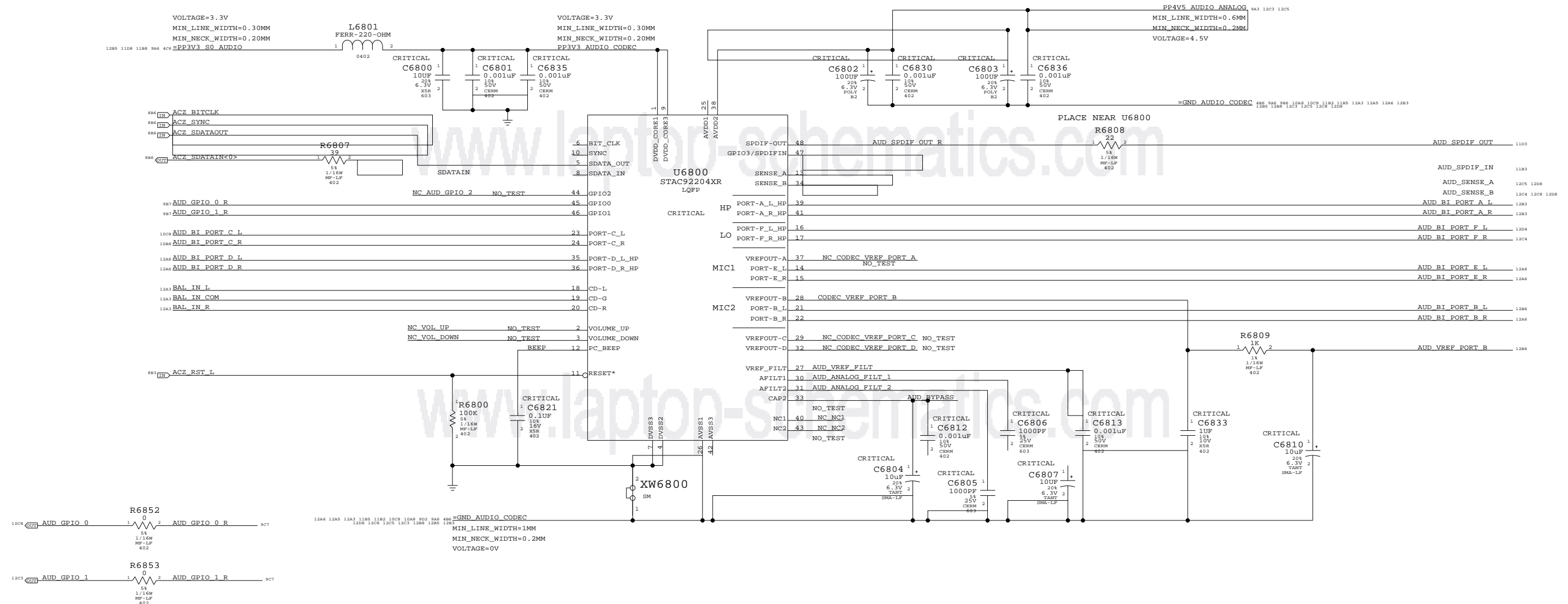
NOTICE OF PROPRIETARY PROPERTY

THE INFORMATION CONTAINED HEREIN IS THE PROPRIETARY PROPERTY OF APPLE COMPUTER, INC. THE POSSESSOR AGREES TO THE FOLLOWING

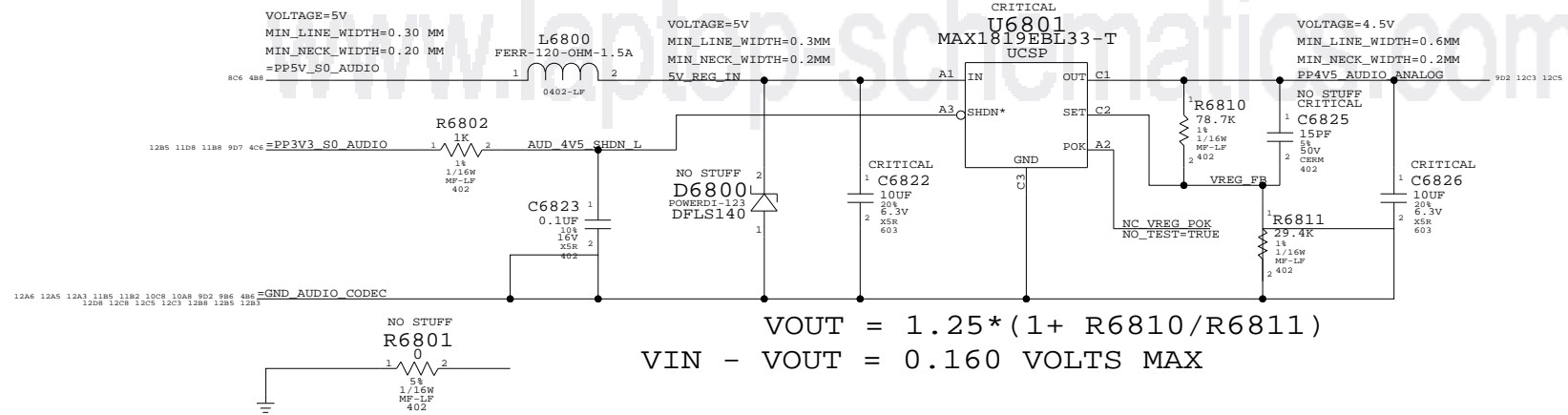
I TO MAINTAIN THE DOCUMENT IN CONFIDENCE
 II NOT TO REPRODUCE OR COPY IT
 III NOT TO REVEAL OR PUBLISH IN WHOLE OR PART

APPLE COMPUTER INC.	SIZE	DRAWING NUMBER	REV.
	D	051-7146	A
SCALE	SHT OF		
NONE	8		18

AUDIO CODEC
APPLE P/N 353S1458



4.5V POWER SUPPLY FOR CODEC
APN: 353S1455



AUDIO: CODEC
 SYNC_MASTER=LENGO_M59_LIO SYNC_DATE=08/15/2006
 NOTICE OF PROPRIETARY PROPERTY
 THE INFORMATION CONTAINED HEREIN IS THE PROPRIETARY PROPERTY OF APPLE COMPUTER, INC. THE POSSESSOR AGREES TO THE FOLLOWING
 I TO MAINTAIN THE DOCUMENT IN CONFIDENCE
 II NOT TO REPRODUCE OR COPY IT
 III NOT TO REVEAL OR PUBLISH IN WHOLE OR PART

APPLE COMPUTER INC.	SIZE	DRAWING NUMBER	REV.
	D	051-7146	A
SCALE	NONE	SHT	OF
		9	18

8

7

6

5

4

3

2

1

2X MONO SPEAKER AMPLIFIERS (MAX9705B) APN: 353S1595

GAIN = 12DB 169 < FC < 282HZ

D

D

C

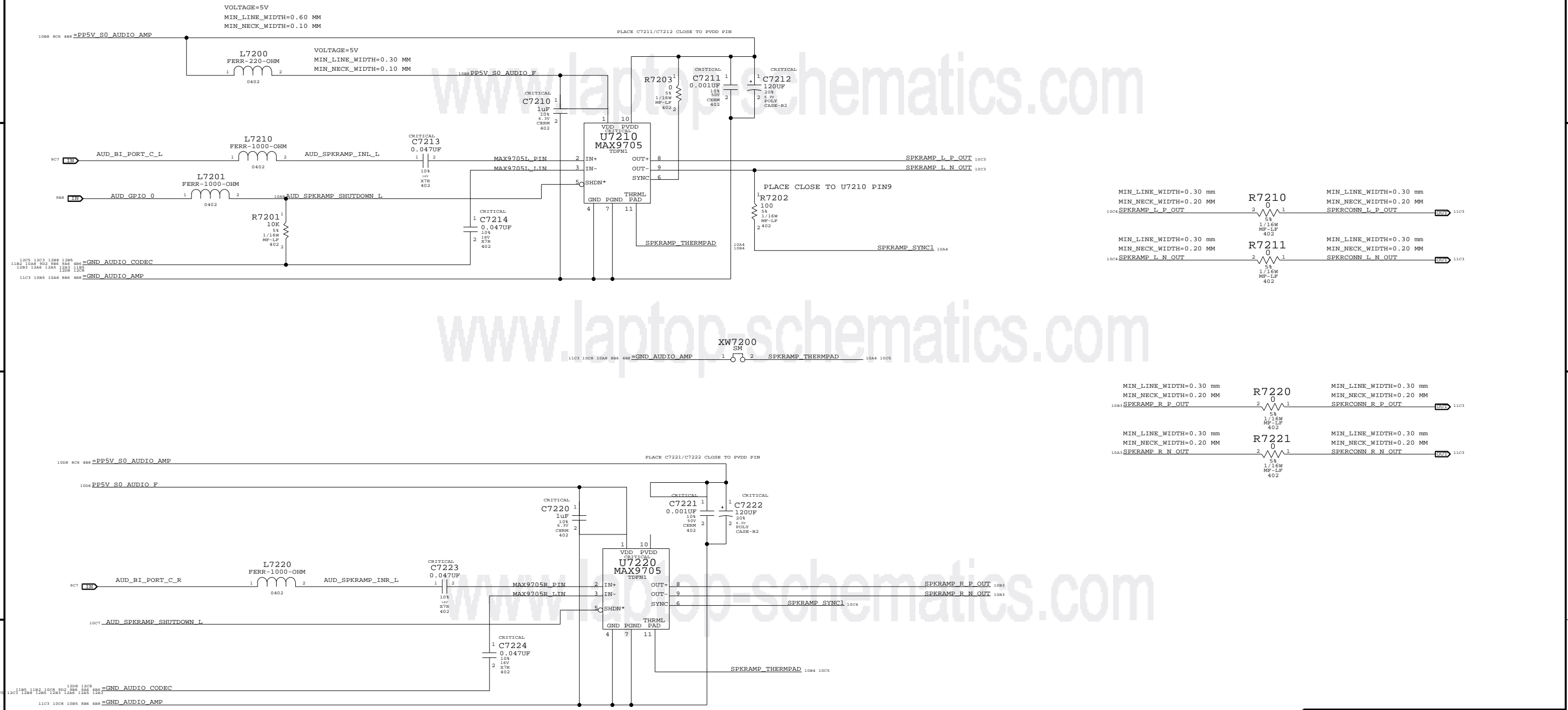
C

B

B

A

A



AUDIO: SPEAKER AMP
 SYNC_MASTER=LENGO_M59_LIO SYNC_DATE=08/15/2006

NOTICE OF PROPRIETARY PROPERTY
 THE INFORMATION CONTAINED HEREIN IS THE PROPRIETARY PROPERTY OF APPLE COMPUTER, INC. THE POSSESSOR AGREES TO THE FOLLOWING
 I TO MAINTAIN THE DOCUMENT IN CONFIDENCE
 II NOT TO REPRODUCE OR COPY IT
 III NOT TO REVEAL OR PUBLISH IN WHOLE OR PART

APPLE COMPUTER INC.	SIZE	DRAWING NUMBER	REV.
	D	051-7146	A
SCALE	SHT OF		
NONE	10		18

8

7

6

5

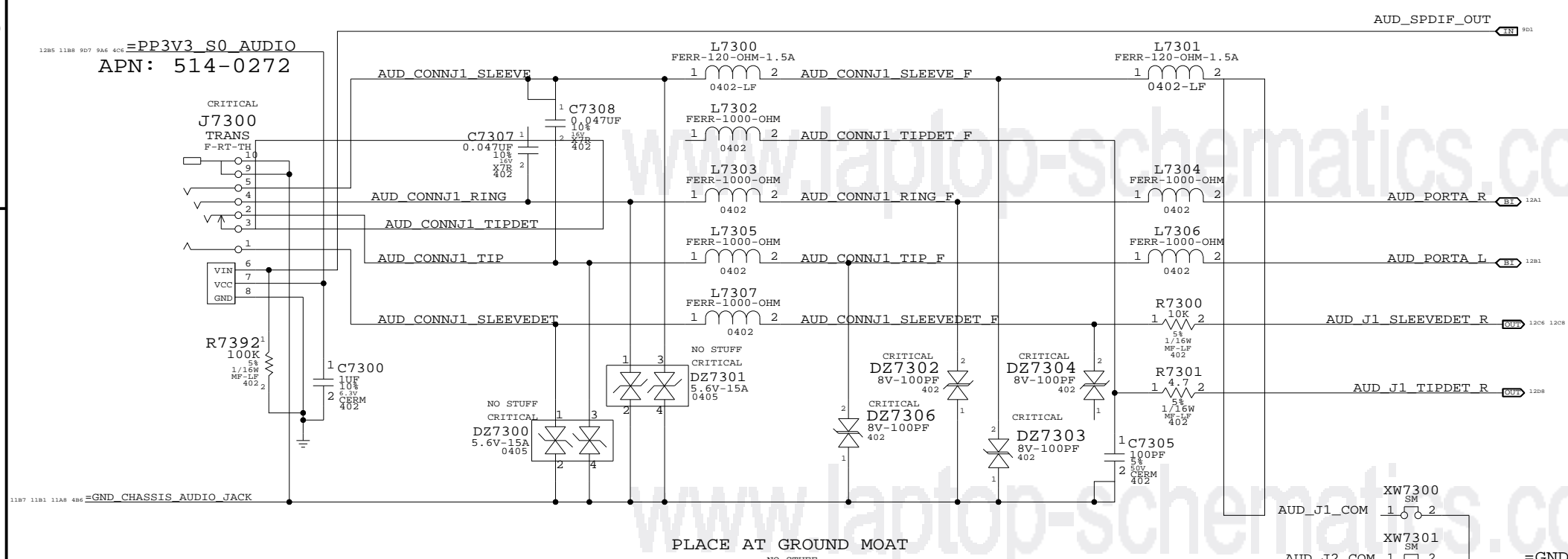
4

3

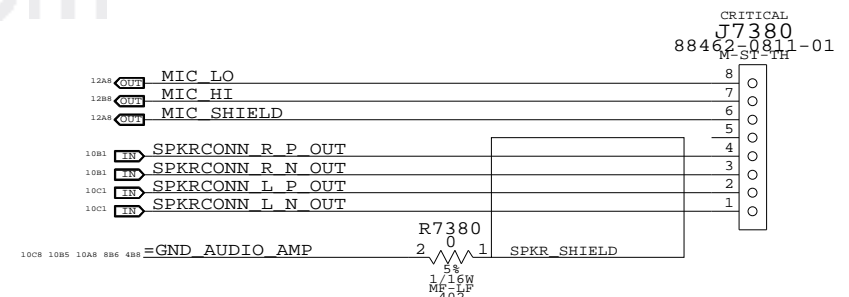
2

1

AUDIO JACK 1 LO/HP CONNECTOR, SPDIF TX



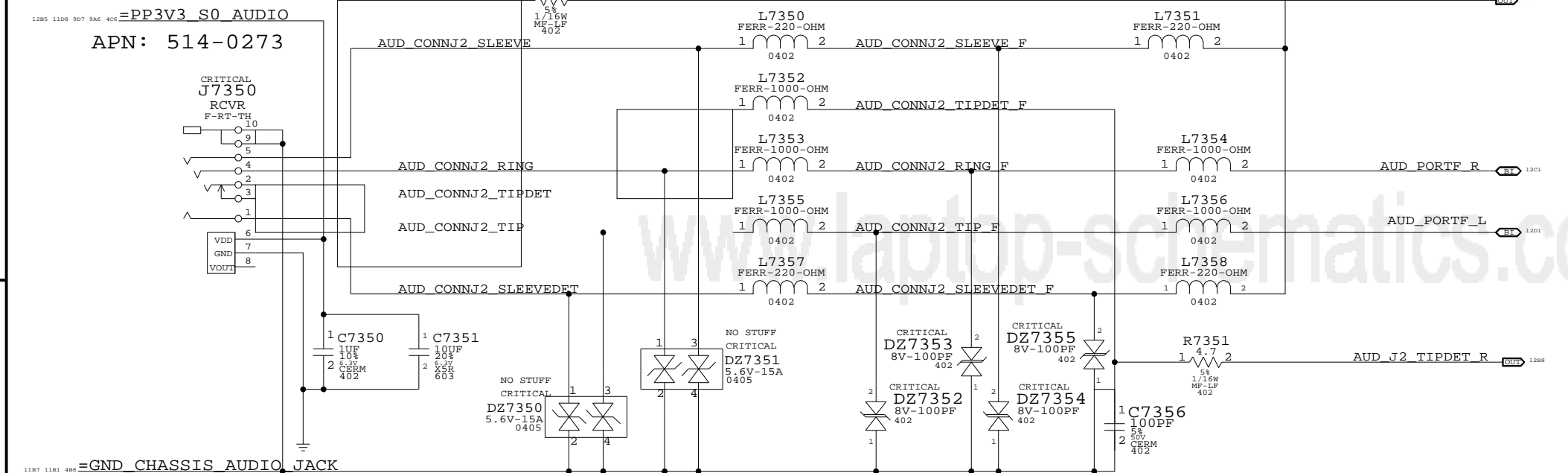
SPEAKER/MIC CONNECTOR
APN: 518-0262



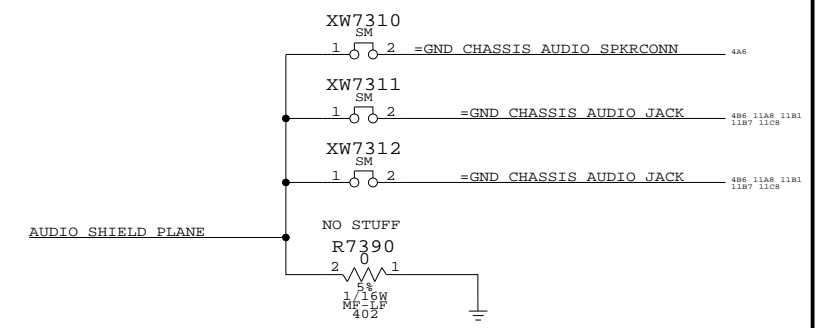
PLACE AT GROUND MOAT

NO STUFF CRITICAL R7391 1 0 2 =GND AUDIO CODEC

AUDIO JACK 2 LINE IN CONNECTOR, SPDIF RX



AUDIO SHIELD (FILLED SHAPE)



AUDIO: JACKS		
SYNC_MASTER=LENGO_M59_LIO	SYNC_DATE=08/15/2006	
NOTICE OF PROPRIETARY PROPERTY		
THE INFORMATION CONTAINED HEREIN IS THE PROPRIETARY PROPERTY OF APPLE COMPUTER, INC. THE POSSESSOR AGREES TO THE FOLLOWING		
I TO MAINTAIN THE DOCUMENT IN CONFIDENCE		
II NOT TO REPRODUCE OR COPY IT		
III NOT TO REVEAL OR PUBLISH IN WHOLE OR PART		

APPLE COMPUTER INC.	SIZE	DRAWING NUMBER	REV.
	D	051-7146	A
SCALE	NONE	SHT	OF
		11	18

D

C

B

A

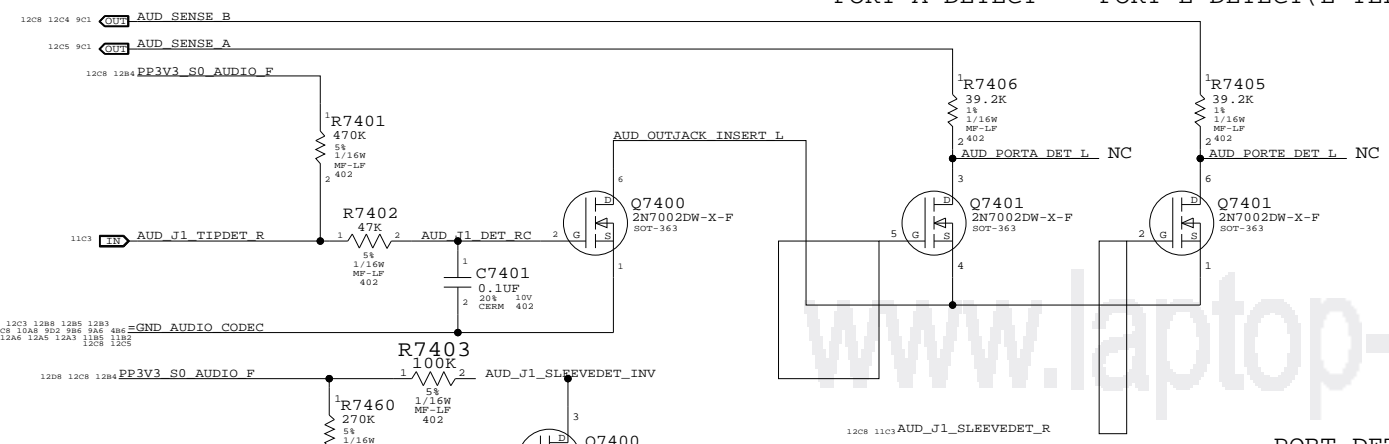
D

C

B

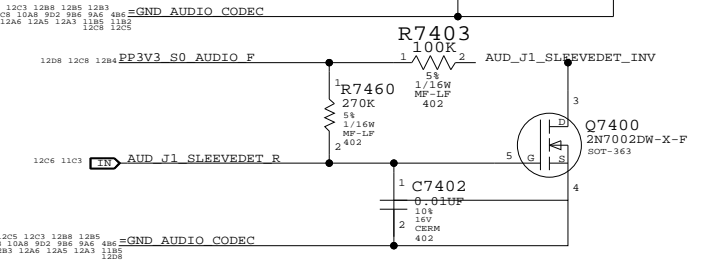
A

PORT A DETECT PORT E DETECT(E TELLS H TO TURN ON)

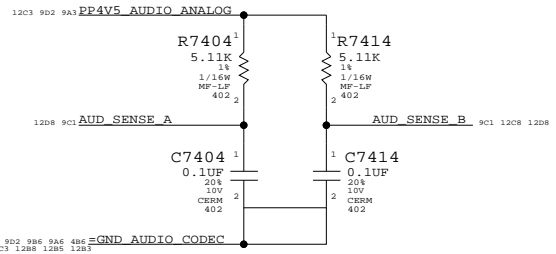


CODEC PORT ASSIGNMENTS

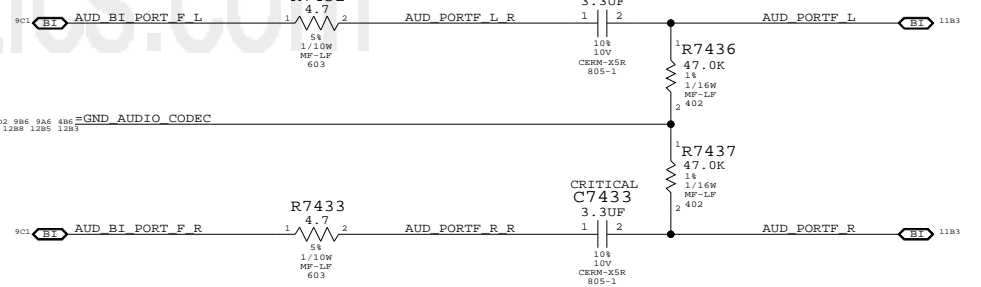
- PORT A : HEADPHONE/LINE OUT
- PORT B : MICROPHONE ON BOTH CH
- PORT C : SPEAKER AMP
- PORT D : UNUSED
- PORT E : SPDIF OUTPUT DETECT DELEGATE
- PORT F : LINE IN
- CD INPUT : UNUSED



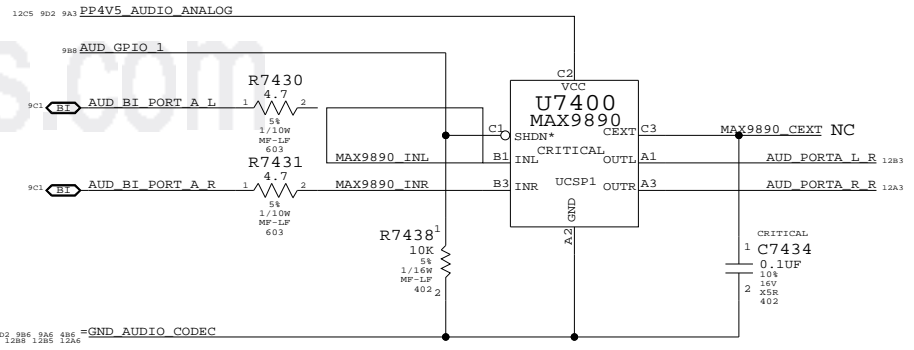
PORT DETECT PULL-UPS



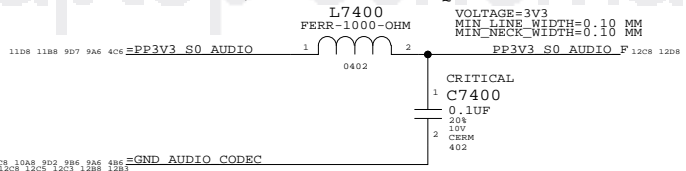
PORT F LI



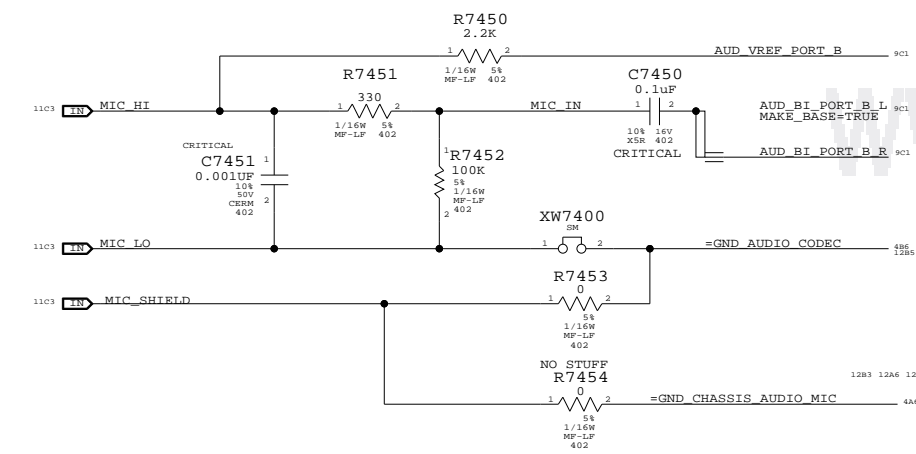
HP/LO MUTE SWITCH
APN: 353S1459



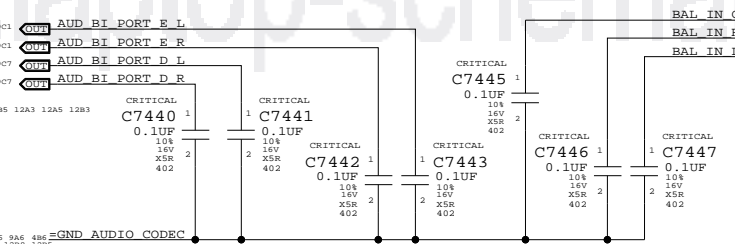
PLACE L7400/C7400 CLOSE TO Q7400



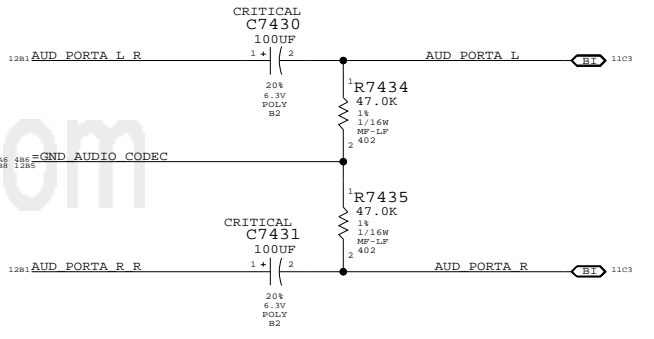
MIC INPUT CIRCUITRY



UNUSED CODEC ANALOG PORT TERMINATIONS



PORT A HP/LO



AUDIO: JACK TRANSLATORS

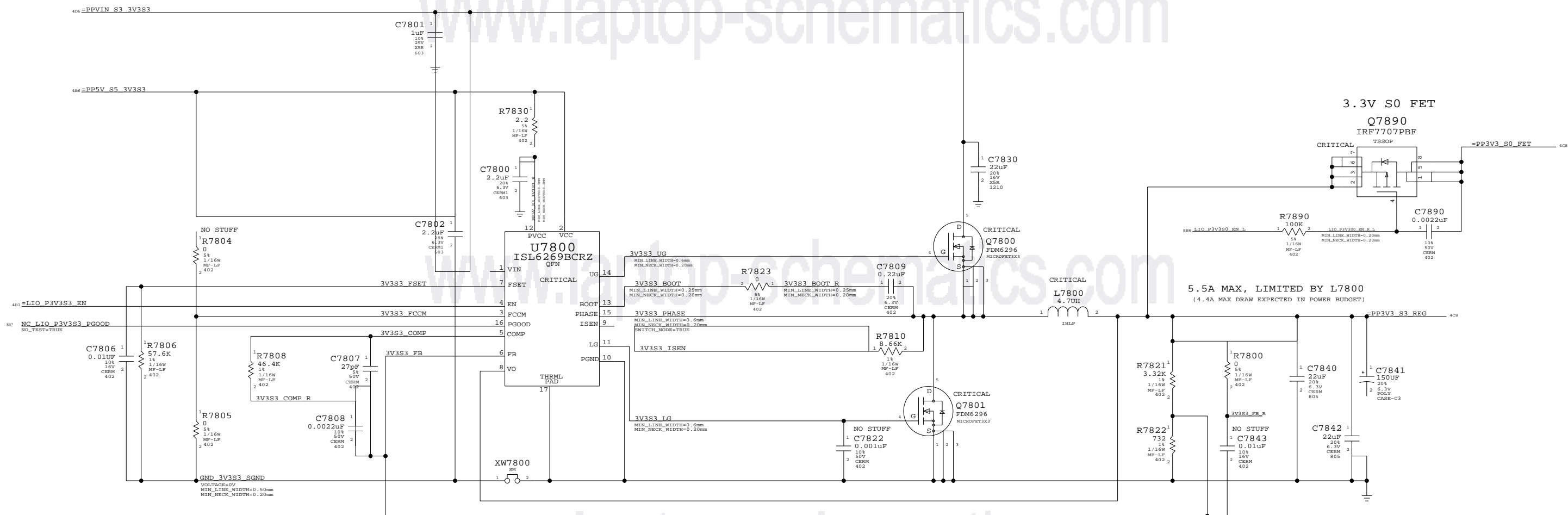
SYNC_MASTER=LENGO_M59_LIO SYNC_DATE=08/15/2006

NOTICE OF PROPRIETARY PROPERTY

THE INFORMATION CONTAINED HEREIN IS THE PROPRIETARY PROPERTY OF APPLE COMPUTER, INC. THE POSSESSOR AGREES TO THE FOLLOWING
I TO MAINTAIN THE DOCUMENT IN CONFIDENCE
II NOT TO REPRODUCE OR COPY IT
III NOT TO REVEAL OR PUBLISH IN WHOLE OR PART

APPLE COMPUTER INC.	SIZE	DRAWING NUMBER	REV.
	D	051-7146	A
SCALE	SHT	OF	
NONE	12	18	

3.3V S3/S0 Power Supply



3.3V Supply

SYNC_MASTER=(Master) SYNC_DATE=(Master)

NOTICE OF PROPRIETARY PROPERTY

THE INFORMATION CONTAINED HEREIN IS THE PROPRIETARY PROPERTY OF APPLE COMPUTER, INC. THE POSSESSOR AGREES TO THE FOLLOWING

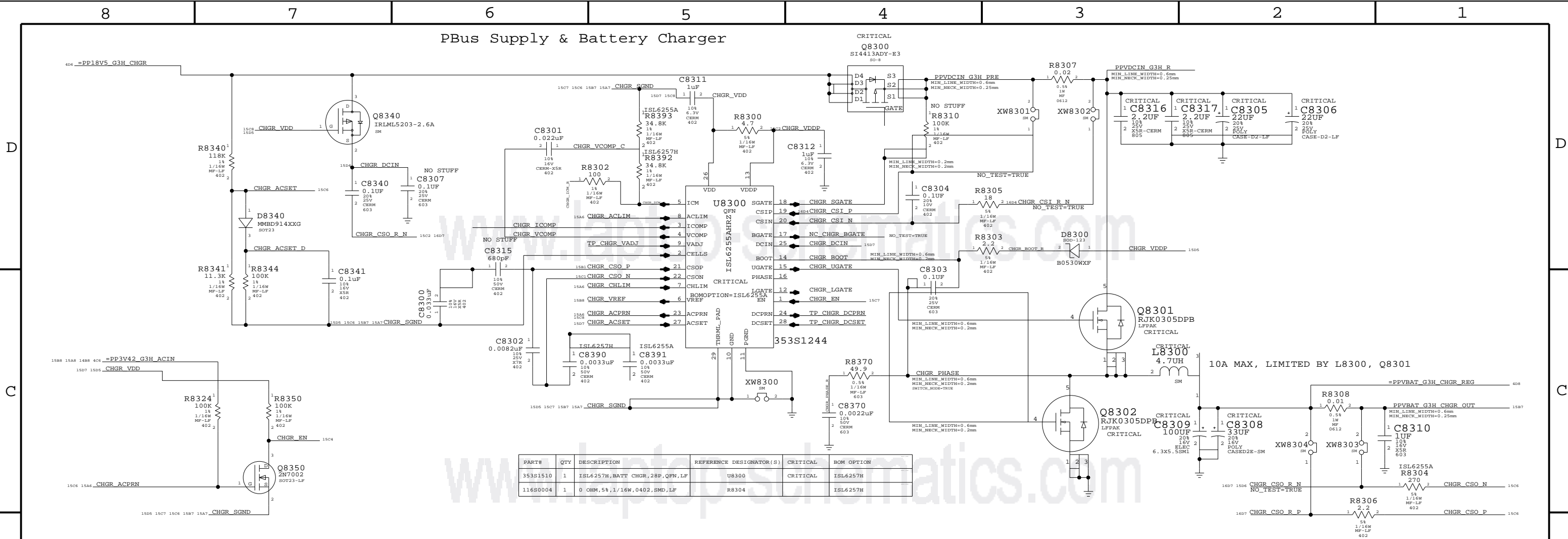
I TO MAINTAIN THE DOCUMENT IN CONFIDENCE

II NOT TO REPRODUCE OR COPY IT

III NOT TO REVEAL OR PUBLISH IN WHOLE OR PART

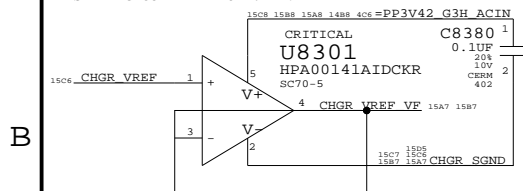
APPLE COMPUTER INC.	SIZE	DRAWING NUMBER	REV.
	D	051-7146	A
SCALE	SHT	OF	
NONE	13	18	

PBus Supply & Battery Charger

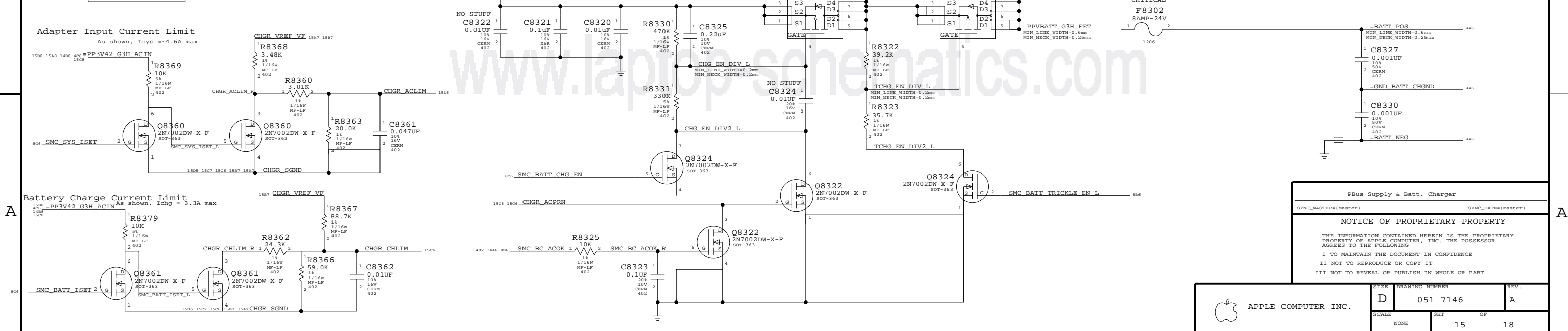


PART#	QTY	DESCRIPTION	REFERENCE DESIGNATOR(S)	CRITICAL	BOM OPTION
353S1510	1	ISL6257H, BATT CHGR, 28P, QFN, LF	U8300	CRITICAL	ISL6257H
116S0004	1	0 OHM, 5%, 1/16W, 0402, SMD, LF	R8304		ISL6257H

VOLTAGE FOLLOWER GUARANTEES CURRENT LIMIT CIRCUITS ARE PROVIDED WITH SUFFICIENT CURRENT WITHOUT SINKING CURRENT FROM VREF.



Battery Charge FET

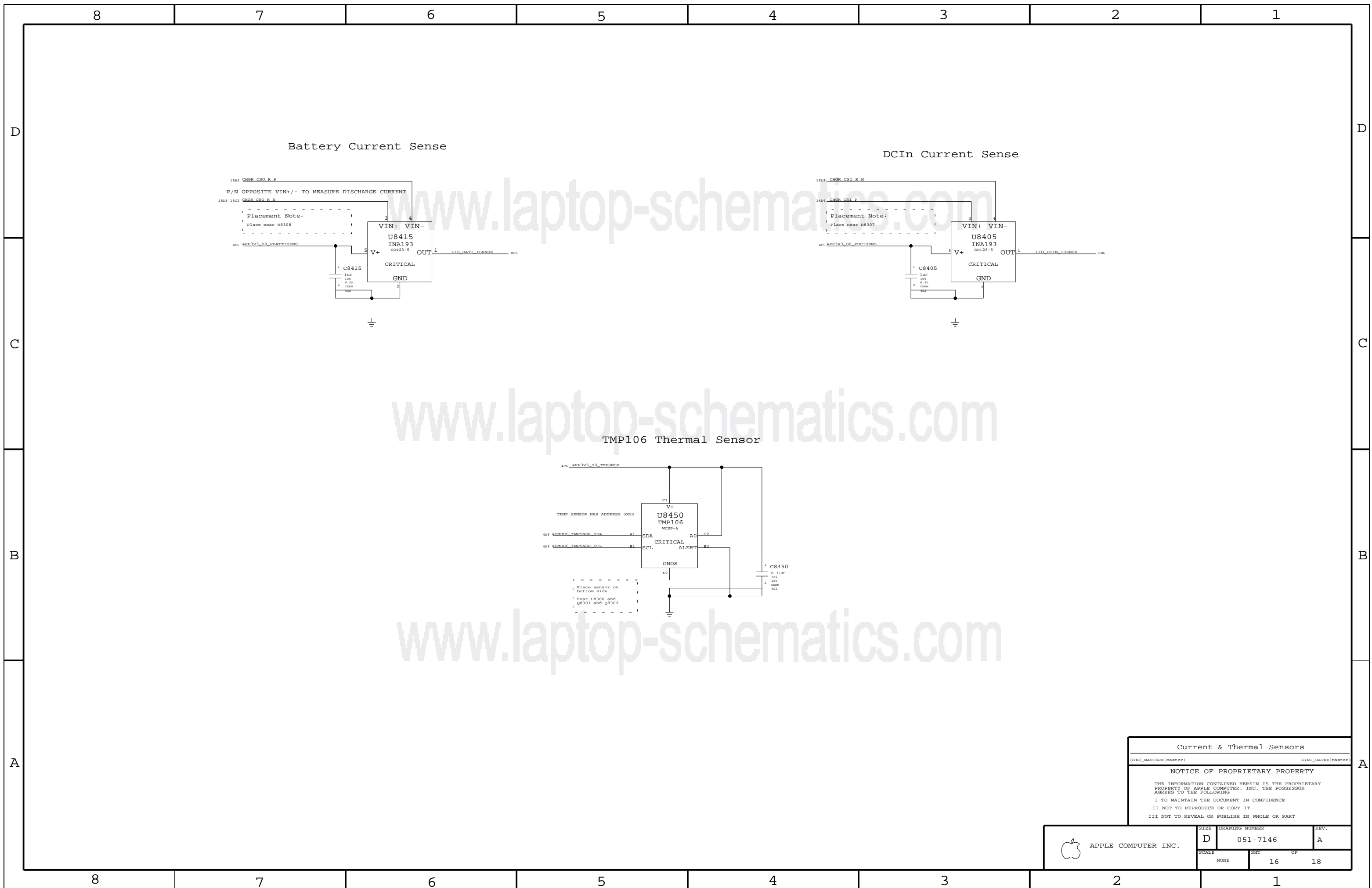


PBus Supply & Batt. Charger
 SYNC_MASTER=(Master) SYNC_DATE=(Master)
NOTICE OF PROPRIETARY PROPERTY
 THE INFORMATION CONTAINED HEREIN IS THE PROPRIETARY PROPERTY OF APPLE COMPUTER, INC. THE POSSESSOR AGREES TO THE FOLLOWING:
 I TO MAINTAIN THE DOCUMENT IN CONFIDENCE
 II NOT TO REPRODUCE OR COPY IT
 III NOT TO REVEAL OR PUBLISH IN WHOLE OR PART

SCALE	DRAWING NUMBER	REV.
NONE	D 051-7146	A
SHEET	OF	
15	18	



APPLE COMPUTER INC.



Battery Current Sense

DCIn Current Sense

TMP106 Thermal Sensor

Current & Thermal Sensors

SYNC_MASTER=(Master) SYNC_DATE=(Master)

NOTICE OF PROPRIETARY PROPERTY

THE INFORMATION CONTAINED HEREIN IS THE PROPRIETARY PROPERTY OF APPLE COMPUTER, INC. THE POSSESSOR AGREES TO THE FOLLOWING

I TO MAINTAIN THE DOCUMENT IN CONFIDENCE

II NOT TO REPRODUCE OR COPY IT

III NOT TO REVEAL OR PUBLISH IN WHOLE OR PART

APPLE COMPUTER INC.	SIZE	DRAWING NUMBER	REV.
	D	051-7146	A
SCALE	SHT OF		
NONE	16		18

8	7	6	5	4	3	2	1
<p>Title: Basenet Report Design: lio Date: Sep 22 14:52:31 2006</p> <p>Base nets and synonyms for lio.lib.LIO(@lio.lib.lio(sch_1)) Base Signal Synonyms Location((Zone)[dir])</p>		<pre> =PPDCIN_G3H_LIO_CONN - @lio.lib.LIO 4D8 14D3 PPDCIN_G3H - @lio.lib.LIO 4D6 =PPVBATT_G3H_LIO_CONN - @lio.lib.LIO 4D8 15B2 =PPDCIN_G3H_LIO_CONN - @lio.lib.LIO 4D8 14D3 SMBUS_EXCARD_SCL - @lio.lib.LIO 4A3 6C3 SMBUS_SB_SCL - @lio.lib.LIO 4A6 8C3 SMBUS_EXCARD_SDA - @lio.lib.LIO 4A3 6C3 SMBUS_SDA - @lio.lib.LIO 4A6 8C3 SMBUS_MINI_SCL - @lio.lib.LIO 4A3 7B3 SMBUS_SMC_SCL - @lio.lib.LIO 4A6 8C3 SMBUS_TSPNSNR_SCL - @lio.lib.LIO 4A3 16B5 SMBUS_SMC_SCL - @lio.lib.LIO 4A6 8C3 SMBUS_TSPNSNR_SCL - @lio.lib.LIO 4A3 16B5 SMBUS_MINI_SDA - @lio.lib.LIO 4A3 7B3 SMBUS_SMC_SDA - @lio.lib.LIO 4A6 8C3 SMBUS_TSPNSNR_SDA - @lio.lib.LIO 4A3 16B5 SMBUS_SMC_SDA - @lio.lib.LIO 4A6 8C3 SMBUS_TSPNSNR_SDA - @lio.lib.LIO 4A3 16B5 ACIN_IV20_REF ACIN_IV20_REF - @lio.lib.LIO 14A7 ACIN_DIV ACIN_DIV - @lio.lib.LIO 14A7 ACIN_ENABLE_DIV2_L ACIN_ENABLE_DIV2_L - @lio.lib.LIO 14B5 ACIN_ENABLE_DIV_L ACIN_ENABLE_DIV_L - @lio.lib.LIO 14B5 ACOK_AND_PS_ON ACOK_AND_PS_ON - @lio.lib.LIO 14A5 AC2_BITCLK AC2_BITCLK - @lio.lib.LIO 8B6 9D7 AC2_RST_L AC2_RST_L - @lio.lib.LIO 8B3 9C7 AC2_SDATAM<0> AC2_SDATAM<0> - @lio.lib.LIO 8B6 9D7 AC2_SDATACOUT AC2_SDATACOUT - @lio.lib.LIO 8B6 9D7 AC2_SYNC AC2_SYNC - @lio.lib.LIO 8B6 9D7 ADAPTER_SENSE ADAPTER_SENSE - @lio.lib.LIO 14D6 ADAPTER_SENSE_UP ADAPTER_SENSE_UP - @lio.lib.LIO 14D7 AUDIO_SHIELD_PLANE AUDIO_SHIELD_PLANE - @lio.lib.LIO 11B3 AUD_4V5_SHDN_L AUD_4V5_SHDN_L - @lio.lib.LIO 9A6 AUD_ANALOG_FILT_1 AUD_ANALOG_FILT_1 - @lio.lib.LIO 9C4 AUD_ANALOG_FILT_2 AUD_ANALOG_FILT_2 - @lio.lib.LIO 9C4 AUD_BI_PORT_A_L AUD_BI_PORT_A_L - @lio.lib.LIO 9C1 12B3 AUD_BI_PORT_A_R AUD_BI_PORT_A_R - @lio.lib.LIO 9C1 12B3 AUD_BI_PORT_B_L AUD_BI_PORT_B_L - @lio.lib.LIO 9C1 12A6 AUD_BI_PORT_B_R AUD_BI_PORT_B_R - @lio.lib.LIO 9C1 12A6 AUD_BI_PORT_C_L AUD_BI_PORT_C_L - @lio.lib.LIO 9C7 10C8 AUD_BI_PORT_C_R AUD_BI_PORT_C_R - @lio.lib.LIO 9C7 10B8 AUD_BI_PORT_D_L AUD_BI_PORT_D_L - @lio.lib.LIO 9C7 12A6 AUD_BI_PORT_D_R AUD_BI_PORT_D_R - @lio.lib.LIO 9C7 12A6 AUD_BI_PORT_E_L AUD_BI_PORT_E_L - @lio.lib.LIO 9C1 12A6 AUD_BI_PORT_E_R AUD_BI_PORT_E_R - @lio.lib.LIO 9C1 12A6 AUD_BI_PORT_F_L AUD_BI_PORT_F_L - @lio.lib.LIO 9C1 12D4 AUD_BI_PORT_F_R AUD_BI_PORT_F_R - @lio.lib.LIO 9C1 12D4 AUD_BYPASS AUD_BYPASS - @lio.lib.LIO 9C4 AUD_CONNJ1_RING AUD_CONNJ1_RING - @lio.lib.LIO 11C7 AUD_CONNJ1_RING_F AUD_CONNJ1_RING_F - @lio.lib.LIO 11C6 AUD_CONNJ1_SLEEVE AUD_CONNJ1_SLEEVE - @lio.lib.LIO 11D7 AUD_CONNJ1_SLEEVEDET AUD_CONNJ1_SLEEVEDET - @lio.lib.LIO 11C7 AUD_CONNJ1_SLEEVEDET_F - @lio.lib.LIO 11C6 AUD_CONNJ1_SLEEVE_F AUD_CONNJ1_SLEEVE_F - @lio.lib.LIO 11C7 AUD_CONNJ1_TIP AUD_CONNJ1_TIP - @lio.lib.LIO 11C7 AUD_CONNJ1_TIPDET AUD_CONNJ1_TIPDET - @lio.lib.LIO 11C7 AUD_CONNJ1_TIPDET_F AUD_CONNJ1_TIPDET_F - @lio.lib.LIO 11D6 AUD_CONNJ1_TIP_F AUD_CONNJ1_TIP_F - @lio.lib.LIO 11C6 AUD_CONNJ2_RING AUD_CONNJ2_RING - @lio.lib.LIO 11B7 AUD_CONNJ2_RING_F AUD_CONNJ2_RING_F - @lio.lib.LIO 11B5 AUD_CONNJ2_SLEEVE AUD_CONNJ2_SLEEVE - @lio.lib.LIO 11B7 AUD_CONNJ2_SLEEVEDET AUD_CONNJ2_SLEEVEDET - @lio.lib.LIO 11A7 AUD_CONNJ2_SLEEVEDET_F - @lio.lib.LIO 11A5 AUD_CONNJ2_SLEEVE_F AUD_CONNJ2_SLEEVE_F - @lio.lib.LIO 11B5 AUD_CONNJ2_TIP AUD_CONNJ2_TIP - @lio.lib.LIO 11B7 AUD_CONNJ2_TIPDET AUD_CONNJ2_TIPDET - @lio.lib.LIO 11B7 AUD_CONNJ2_TIPDET_F AUD_CONNJ2_TIPDET_F - @lio.lib.LIO 11B5 AUD_GPI0_0 AUD_GPI0_0 - @lio.lib.LIO 9B8 10C8 AUD_GPI0_0_R AUD_GPI0_0_R - @lio.lib.LIO 9B7 9C7 AUD_GPI0_1 AUD_GPI0_1 - @lio.lib.LIO 9B8 12C3 AUD_GPI0_1_R AUD_GPI0_1_R - @lio.lib.LIO 9B7 9C7 AUD_INACK_INSERT_L AUD_INACK_INSERT_L - @lio.lib.LIO 12C6 AUD_J1_COM AUD_J1_COM - @lio.lib.LIO 12D7 AUD_J1_DET_RC AUD_J1_DET_RC - @lio.lib.LIO 12D7 AUD_J1_SLEEVEDET_INV AUD_J1_SLEEVEDET_INV - @lio.lib.LIO 12C7 AUD_J1_SLEEVEDET_R AUD_J1_SLEEVEDET_R - @lio.lib.LIO 11C3 12C6 12C8 AUD_J1_TIPDET_R AUD_J1_TIPDET_R - @lio.lib.LIO 11C3 12D8 AUD_J2_COM AUD_J2_COM - @lio.lib.LIO 11B4 AUD_J2_DET_RC AUD_J2_DET_RC - @lio.lib.LIO 12B7 AUD_J2_OPT_OUT AUD_J2_OPT_OUT - @lio.lib.LIO 11B7 AUD_J2_TIPDET_R AUD_J2_TIPDET_R - @lio.lib.LIO 11A3 12B8 AUD_OUTACK_INSERT_L AUD_OUTACK_INSERT_L - @lio.lib.LIO 12D7 AUD_PORTA_DET_L AUD_PORTA_DET_L - @lio.lib.LIO 11C7 12D5 AUD_PORTA_L AUD_PORTA_L - @lio.lib.LIO 11C3 12B1 AUD_PORTA_L_R AUD_PORTA_L_R - @lio.lib.LIO 12B1 12B3 AUD_PORTA_R AUD_PORTA_R - @lio.lib.LIO 11C3 12A1 AUD_PORTA_R_R AUD_PORTA_R_R - @lio.lib.LIO 12A3 12B1 AUD_PORTE_DET_L AUD_PORTE_DET_L - @lio.lib.LIO 12D5 AUD_PORTF_L AUD_PORTF_L - @lio.lib.LIO 11B3 12D1 AUD_PORTF_L_R AUD_PORTF_L_R - @lio.lib.LIO 12D3 AUD_PORTF_R AUD_PORTF_R - @lio.lib.LIO 11B3 12C1 AUD_PORTF_R_R AUD_PORTF_R_R - @lio.lib.LIO 12C3 AUD_SENSE_A AUD_SENSE_A - @lio.lib.LIO 9C1 12C5 12D8 AUD_SENSE_B AUD_SENSE_B - @lio.lib.LIO 9C1 12C4 12C8 12D8 AUD_SPDIF_IN AUD_SPDIF_IN - @lio.lib.LIO 9C1 11B3 AUD_SPDIF_OUT AUD_SPDIF_OUT - @lio.lib.LIO 9D1 11D3 AUD_SPDIF_OUT_R AUD_SPDIF_OUT_R - @lio.lib.LIO 9D4 AUD_SPKRAMP_IN_L AUD_SPKRAMP_IN_L - @lio.lib.LIO 10C7 AUD_SPKRAMP_IN_R AUD_SPKRAMP_IN_R - @lio.lib.LIO 10B7 AUD_SPKRAMP_SHUTDOWN_L - @lio.lib.LIO 10A8 10C7 AUD_VREF_FILT AUD_VREF_FILT - @lio.lib.LIO 9C4 AUD_VREF_PORT_B AUD_VREF_PORT_B - @lio.lib.LIO 9C1 12B6 BAL_IN_COM BAL_IN_COM - @lio.lib.LIO 9C7 12A3 BAL_IN_L BAL_IN_L - @lio.lib.LIO 9C7 12A3 BAL_IN_R BAL_IN_R - @lio.lib.LIO 9C7 12A3 BEEP BEEP - @lio.lib.LIO 9C6 CHGR_AC LIM CHGR_AC LIM - @lio.lib.LIO 15A6 15D6 CHGR_AC LIM_R CHGR_AC LIM_R - @lio.lib.LIO 15A7 CHGR_ACPRN CHGR_ACPRN - @lio.lib.LIO 15A6 15C6 15C8 CHGR_ACSET CHGR_ACSET - @lio.lib.LIO 15C6 15D7 CHGR_ACSET_D CHGR_ACSET_D - @lio.lib.LIO 15C7 CHGR_BOOT CHGR_BOOT - @lio.lib.LIO 15C4 CHGR_BOOT_R CHGR_BOOT_R - @lio.lib.LIO 15C3 CHGR_CHLIM CHGR_CHLIM - @lio.lib.LIO 15A6 15C6 CHGR_CHLIM_R CHGR_CHLIM_R - @lio.lib.LIO 15A7 CHGR_CSI_N CHGR_CSI_N - @lio.lib.LIO 15D4 CHGR_CSI_P CHGR_CSI_P - @lio.lib.LIO 15D4 16D4 CHGR_CSI_R_N CHGR_CSI_R_N - @lio.lib.LIO 15D3 16D4 CHGR_CSO_N CHGR_CSO_N - @lio.lib.LIO 15C1 15C6 CHGR_CSO_P CHGR_CSO_P - @lio.lib.LIO 15B1 15C6 </pre>		<pre> CHGR_CSO_R_N CHGR_CSO_R_N - @lio.lib.LIO 15C2 15D6 16D7 CHGR_CSO_R_P CHGR_CSO_R_P - @lio.lib.LIO 15B2 16D7 CHGR_DCIN CHGR_DCIN - @lio.lib.LIO 15D4 15D7 CHGR_EN CHGR_EN - @lio.lib.LIO 15C4 15C7 CHGR_ICM CHGR_ICM - @lio.lib.LIO 15D5 CHGR_ICM_R CHGR_ICM_R - @lio.lib.LIO 15D6 CHGR_ICOMP CHGR_ICOMP - @lio.lib.LIO 15D6 CHGR_LGATE CHGR_LGATE - @lio.lib.LIO 15C4 CHGR_PHASE CHGR_PHASE - @lio.lib.LIO 15C4 CHGR_PHASE_R CHGR_PHASE_R - @lio.lib.LIO 15C4 CHGR_SGATE CHGR_SGATE - @lio.lib.LIO 15D4 CHGR_SGND CHGR_SGND - @lio.lib.LIO 15A7 15A7 15B7 15B7 15C6 CHGR_UGATE CHGR_UGATE - @lio.lib.LIO 15C7 15D5 CHGR_VCOMP CHGR_VCOMP - @lio.lib.LIO 15D6 CHGR_VCOMP_C CHGR_VCOMP_C - @lio.lib.LIO 15D6 CHGR_VDD CHGR_VDD - @lio.lib.LIO 15C8 15D5 15D7 CHGR_VREF CHGR_VREF - @lio.lib.LIO 15C2 15D5 CHGR_VREF_VF CHGR_VREF_VF - @lio.lib.LIO 15A7 15B7 15B7 CHG_EN_DIV2_L CHG_EN_DIV2_L - @lio.lib.LIO 15A5 CHG_EN_DIV_L CHG_EN_DIV_L - @lio.lib.LIO 15B5 CODEC_VREF_PORT_B CODEC_VREF_PORT_B - @lio.lib.LIO 9C4 EC_HOLE1 EC_HOLE1 - @lio.lib.LIO 6D3 EC_HOLE2 EC_HOLE2 - @lio.lib.LIO 6B2 EXCARD_CLKREQ_CONN EXCARD_CLKREQ_CONN - @lio.lib.LIO 6B3 EXCARD_CLKREQ_CONN_L EXCARD_CLKREQ_CONN_L - @lio.lib.LIO 6A4 6C3 EXCARD_CLKREQ_Q_L EXCARD_CLKREQ_Q_L - @lio.lib.LIO 4C6 6B2 8C6 EXCARD_CPE_L EXCARD_CPE_L - @lio.lib.LIO 6A8 6C3 6C3 EXCARD_CPUSB_L EXCARD_CPUSB_L - @lio.lib.LIO 6A8 6C3 6C3 EXCARD_OC_L EXCARD_OC_L - @lio.lib.LIO 4C6 6C7 8C6 EXCARD_SCHLKEN EXCARD_SCHLKEN - @lio.lib.LIO 6B3 6C5 EXCARD_SHDN_L_R EXCARD_SHDN_L_R - @lio.lib.LIO 6C6 GND_3V3S3_SGND GND_3V3S3_SGND - @lio.lib.LIO 13B7 GND_ADAPTR_UP GND_ADAPTR_UP - @lio.lib.LIO 14D7 LEFT_USB_EMI_N LEFT_USB_EMI_N - @lio.lib.LIO 5C4 LEFT_USB_EMI_P LEFT_USB_EMI_P - @lio.lib.LIO 9C1 12B3 LEFT_USB_GND LEFT_USB_GND - @lio.lib.LIO 5C3 LEFT_USB_N LEFT_USB_N - @lio.lib.LIO 4A3 5C4 LEFT_USB_OC_L LEFT_USB_OC_L - @lio.lib.LIO 4A3 5C5 LTUSB_OC_L LTUSB_OC_L - @lio.lib.LIO 4A6 8C6 LEFT_USB_P LEFT_USB_P - @lio.lib.LIO 4B3 5C4 LEFT_USB_F LEFT_USB_F - @lio.lib.LIO 4B6 8C3 LIO_BATT_ISENSE LIO_BATT_ISENSE - @lio.lib.LIO 8C6 16C6 LIO_DCIN_ISENSE LIO_DCIN_ISENSE - @lio.lib.LIO 8B6 16C2 LIO_P3V3S0_EN_L LIO_P3V3S0_EN_L - @lio.lib.LIO 8B6 13C3 LIO_P3V3S0_EN_R_L LIO_P3V3S0_EN_R_L - @lio.lib.LIO 13C2 LIO_PLT_RESET_L LIO_PLT_RESET_L - @lio.lib.LIO 4C6 8C6 PLT_RESET_L PLT_RESET_L - @lio.lib.LIO 4C3 6C7 7C3 MAX9705L_LIN MAX9705L_LIN - @lio.lib.LIO 10C6 MAX9705L_PIN MAX9705L_PIN - @lio.lib.LIO 10C6 MAX9705R_LIN MAX9705R_LIN - @lio.lib.LIO 10A6 MAX9705R_PIN MAX9705R_PIN - @lio.lib.LIO 10B6 MAX9890_CEXT MAX9890_CEXT - @lio.lib.LIO 12B1 MAX9890_INL MAX9890_INL - @lio.lib.LIO 12B3 MAX9890_INR MAX9890_INR - @lio.lib.LIO 12B3 MIC_HI MIC_HI - @lio.lib.LIO 11C3 12B8 MIC_IN MIC_IN - @lio.lib.LIO 12B7 MIC_LO MIC_LO - @lio.lib.LIO 11C3 12A8 MIC_SHIELD MIC_SHIELD - @lio.lib.LIO 11C3 12A8 MINI_CLKREQ_L MINI_CLKREQ_L - @lio.lib.LIO 4B6 7C6 8C6 NC_AUD_GPIO_2 NC_AUD_GPIO_2 - @lio.lib.LIO 9C6 NC_CHGR_BGATE NC_CHGR_BGATE - @lio.lib.LIO 15D4 NC_CODEC_VREF_PORT_A NC_CODEC_VREF_PORT_A - @lio.lib.LIO 9C4 NC_CODEC_VREF_PORT_C NC_CODEC_VREF_PORT_C - @lio.lib.LIO 9C4 NC_CODEC_VREF_PORT_D NC_CODEC_VREF_PORT_D - @lio.lib.LIO 9C4 NC_LED_WMAN_L NC_LED_WMAN_L - @lio.lib.LIO 7B3 NC_LED_WMAN_R NC_LED_WMAN_R - @lio.lib.LIO 7B3 NC_LED_WMAN_L NC_LED_WMAN_L - @lio.lib.LIO 7B3 NC_LED_WMAN_R NC_LED_WMAN_R - @lio.lib.LIO 7B3 NC_LIO_P3V3S3_PGOOD NC_LIO_P3V3S3_PGOOD - @lio.lib.LIO 13B8 NC_NC1 NC_NC1 - @lio.lib.LIO 9C4 NC_NC2 NC_NC2 - @lio.lib.LIO 9B4 NC_UIM_CLK NC_UIM_CLK - @lio.lib.LIO 7C3 NC_UIM_DATA NC_UIM_DATA - @lio.lib.LIO 7C3 NC_UIM_PWR NC_UIM_PWR - @lio.lib.LIO 7C3 NC_UIM_RESET NC_UIM_RESET - @lio.lib.LIO 7C3 NC_UIM_VPP NC_UIM_VPP - @lio.lib.LIO 7C3 NC_VOL_DOWN NC_VOL_DOWN - @lio.lib.LIO 9C6 NC_VOL_UP NC_VOL_UP - @lio.lib.LIO 9C6 NC_VREG_POK NC_VREG_POK - @lio.lib.LIO 9A4 NC_W_DISABLE_L NC_W_DISABLE_L - @lio.lib.LIO 7C3 ONENWIRE_DCIN_DIV ONENWIRE_DCIN_DIV - @lio.lib.LIO 14C5 ONENWIRE_EN ONENWIRE_EN - @lio.lib.LIO 14C3 ONENWIRE_ESD ONENWIRE_ESD - @lio.lib.LIO 14C4 ONENWIRE_OVERVOLT ONENWIRE_OVERVOLT - @lio.lib.LIO 14C4 ONENWIRE_PWR_EN_L ONENWIRE_PWR_EN_L - @lio.lib.LIO 14C2 ONENWIRE_PWR_EN_L_DIV ONENWIRE_PWR_EN_L_DIV - @lio.lib.LIO 14C2 PCIE_CLK100M_EXCARD_PCIE_CLK100M_EXCARD_N - @lio.lib.LIO 4D6 6C3 8B2 PCIE_CLK100M_EXCARD_PCIE_CLK100M_EXCARD_P - @lio.lib.LIO 4D6 6C3 8B2 PCIE_CLK100M_EXCARD_PCIE_CLK100M_EXCARD_UP_N - @lio.lib.LIO 4D6 8B4 PCIE_CLK100M_EXCARD_PCIE_CLK100M_EXCARD_UP_P - @lio.lib.LIO 4D6 8B4 UP_P UP_P - @lio.lib.LIO 9C1 12C5 12D8 PCIE_CLK100M_MINI_N_PCIE_CLK100M_MINI_N - @lio.lib.LIO 4B6 7C6 8C2 PCIE_CLK100M_MINI_P_PCIE_CLK100M_MINI_P - @lio.lib.LIO 4B6 7C6 8C2 PCIE_CLK100M_MINI_UP_PCIE_CLK100M_MINI_UP_N - @lio.lib.LIO 4B6 8C4 PCIE_CLK100M_MINI_UP_PCIE_CLK100M_MINI_UP_P - @lio.lib.LIO 4B6 8C4 PCIE_EXCARD_D2R_N_PCIE_EXCARD_D2R_N - @lio.lib.LIO 4D6 6C3 8B3 PCIE_EXCARD_D2R_P_PCIE_EXCARD_D2R_P - @lio.lib.LIO 4D6 6C3 8B3 PCIE_EXCARD_R2D_N_PCIE_EXCARD_R2D_N - @lio.lib.LIO 4D6 6C3 8B3 PCIE_EXCARD_R2D_P_PCIE_EXCARD_R2D_P - @lio.lib.LIO 4D6 6C3 8B3 PCIE_MINI_D2R_N_PCIE_MINI_D2R_N - @lio.lib.LIO 4B6 7C6 8C3 PCIE_MINI_D2R_P_PCIE_MINI_D2R_P - @lio.lib.LIO 4B6 7C6 8C3 PCIE_MINI_R2D_N_PCIE_MINI_R2D_N - @lio.lib.LIO 4C6 7B6 8C3 PCIE_MINI_R2D_P_PCIE_MINI_R2D_P - @lio.lib.LIO 4C6 7B6 8B3 PCIE_WAKE_EXCARD_L_PCIE_WAKE_EXCARD_L - @lio.lib.LIO 4C3 6C3 PCIE_WAKE_L_PCIE_WAKE_L - @lio.lib.LIO 4C6 8C3 PCIE_WAKE_MINI_L_PCIE_WAKE_MINI_L - @lio.lib.LIO 4C3 7C6 PLT_RESET_SWITCH_L PLT_RESET_SWITCH_L - @lio.lib.LIO 6C3 6C3 PP1V5_S0_EXCARD_SWIT_PP1V5_S0_EXCARD_SWITCH - @lio.lib.LIO 6C3 6C3 CH CH - @lio.lib.LIO PP3V3_AUDIO_CODEC PP3V3_AUDIO_CODEC - @lio.lib.LIO 9D6 PP3V3_S0_AUDIO_F PP3V3_S0_AUDIO_F - @lio.lib.LIO 12B4 12C8 12C8 12D8 PP3V3_S0_EXCARD_SWIT_PP3V3_S0_EXCARD_SWITCH - @lio.lib.LIO 6C3 6C3 CH CH - @lio.lib.LIO PP3V3_S3_EXCARD_SWIT_PP3V3_S3_EXCARD_SWITCH - @lio.lib.LIO 6C3 6C3 CH CH - @lio.lib.LIO PP4V5_AUDIO_ANALOG PP4V5_AUDIO_ANALOG - @lio.lib.LIO 9A3 9D2 12C3 12C5 </pre>		<pre> PP5V_PWRON_USB_EMI PP5V_PWRON_USB_EMI - @lio.lib.LIO 5C3 PP5V_S0_AUDIO_F PP5V_S0_AUDIO_F - @lio.lib.LIO 10B8 10D6 PP5V_S3_3V3S3_R PP5V_S3_3V3S3_R - @lio.lib.LIO 13C6 PP5V_S3_USB_SWITCH PP5V_S3_USB_SWITCH - @lio.lib.LIO 5C5 PP18V5_DCIN PP18V5_DCIN - @lio.lib.LIO 14B8 14D1 PP18V5_DCIN_FUSE PP18V5_DCIN_FUSE - @lio.lib.LIO 14D6 PP18V5_DCIN_ONENWIRE PP18V5_DCIN_ONENWIRE - @lio.lib.LIO 14D5 PP18V5_DCIN_UP PP18V5_DCIN_UP - @lio.lib.LIO 14D7 PPDCIN_G3H_LIO_CONN PPDCIN_G3H_LIO_CONN - @lio.lib.LIO 14D4 R R - @lio.lib.LIO PPVBATT_G3H_DIO PPVBATT_G3H_DIO - @lio.lib.LIO 15B3 PPVBATT_G3H_FET PPVBATT_G3H_FET - @lio.lib.LIO 15B3 PPVBATT_G3H_PRE PPVBATT_G3H_PRE - @lio.lib.LIO 15B4 PPVBATT_G3H_CHGR_OUT PPVBATT_G3H_CHGR_OUT - @lio.lib.LIO 15B7 15C1 PPVDCIN_G3H_PRE PPVDCIN_G3H_PRE - @lio.lib.LIO 15D4 PPVDCIN_G3H_R PPVDCIN_G3H_R - @lio.lib.LIO 15D2 SDATAIN SDATAIN - @lio.lib.LIO 9C6 SMC_ADAPTER_EN SMC_ADAPTER_EN - @lio.lib.LIO 8C6 14B6 SMC_BATT_CHG_EN SMC_BATT_CHG_EN - @lio.lib.LIO 8C6 15A6 SMC_BATT_ISET SMC_BATT_ISET - @lio.lib.LIO 8C6 15A8 SMC_BATT_ISET_L SMC_BATT_ISET_L - @lio.lib.LIO 15A8 SMC_BATT_TRICKLE_EN SMC_BATT_TRICKLE_EN_L - @lio.lib.LIO 8B6 15A3 SMC_BC_ACOK SMC_BC_ACOK - @lio.lib.LIO 8B6 14A6 14B2 15A6 SMC_BC_ACOK_ONENWIRE SMC_BC_ACOK_ONENWIRE_R - @lio.lib.LIO 14C1 SMC_BC_ACOK_R SMC_BC_ACOK_R - @lio.lib.LIO 15A5 SMC_EXCARD_CP SMC_EXCARD_CP - @lio.lib.LIO 6A6 8B6 SMC_EXCARD_PMR_EN SMC_EXCARD_PMR_EN - @lio.lib.LIO 6C7 8B6 SMC_SYS_ISET SMC_SYS_ISET - @lio.lib.LIO 8C6 15A8 SMC_SYS_ISET_L SMC_SYS_ISET_L - @lio.lib.LIO 15A8 SPKRAMP_L_N_OUT SPKRAMP_L_N_OUT - @lio.lib.LIO 10C3 10C4 SPKRAMP_L_P_OUT SPKRAMP_L_P_OUT - @lio.lib.LIO 10C3 10C4 SPKRAMP_R_N_OUT SPKRAMP_R_N_OUT - @lio.lib.LIO 10A3 10B3 SPKRAMP_R_P_OUT SPKRAMP_R_P_OUT - @lio.lib.LIO 10B3 10B3 SPKRAMP_SYNC1 SPKRAMP_SYNC1 - @lio.lib.LIO 10A4 10C4 SPKRAMP_THERPAD SPKRAMP_THERPAD - @lio.lib.LIO 10A4 10B4 10C5 SPKRCONN_L_N_OUT SPKRCONN_L_N_OUT - @lio.lib.LIO 10C1 11C3 SPKRCONN_L_P_OUT SPKRCONN_L_P_OUT - @lio.lib.LIO 10C1 11C3 SPKRCONN_R_N_OUT SPKRCONN_R_N_OUT - @lio.lib.LIO 10B1 11C3 SPKRCONN_R_P_OUT SPKRCONN_R_P_OUT - @lio.lib.LIO 10B1 11C3 SPKR_SHIELD SPKR_SHIELD - @lio.lib.LIO 11C2 SYS_ONENWIRE SYS_ONENWIRE - @lio.lib.LIO 8C6 14C1 SYS_ONENWIRE_BILAT SYS_ONENWIRE_BILAT - @lio.lib.LIO 14C2 TCHG_EN_DIV2_L TCHG_EN_DIV2_L - @lio.lib.LIO 15A4 TCHG_EN_DIV_L TCHG_EN_DIV_L - @lio.lib.LIO 15A4 TP_CHGR_DCSSET TP_CHGR_DCSSET - @lio.lib.LIO 15C4 TP_CHGR_DCSSET TP_CHGR_DCSSET - @lio.lib.LIO 15C4 TP_CHGR_VADJ TP_CHGR_VADJ - @lio.lib.LIO 15D6 TP_EXCARD_STBY_L TP_EXCARD_STBY_L - @lio.lib.LIO 6C7 TP_USB2_MININ TP_USB2_MININ - @lio.lib.LIO 4B3 USB2_MINI_N USB2_MINI_N - @lio.lib.LIO 4B6 7B3 TP_USB2_MINIP TP_USB2_MINIP - @lio.lib.LIO 4B3 USB2_MINI_P USB2_MINI_P - @lio.lib.LIO 4B6 7B3 USB2_EXCARD_N USB2_EXCARD_N - @lio.lib.LIO 4D6 6C3 8C3 USB2_EXCARD_P USB2_EXCARD_P - @lio.lib.LIO 4D6 6C3 8C3 VREG_FB VREG_FB - @lio.lib.LIO 9A4 </pre>	

