

8

7

6

5

4

3

2

1

- 1. ALL RESISTANCE VALUES ARE IN OHMS, 0.1 WATT +/- 5%.
- 2. ALL CAPACITANCE VALUES ARE IN MICROFARADS.
- 3. ALL CRYSTALS & OSCILLATOR VALUES ARE IN HERTZ.

REV	ZONE	ECN	DESCRIPTION OF CHANGE	CK APPD DATE	ENG APPD DATE
				?	?

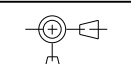
# SCHEM, LIO, MBP17

## 05/07/07

PDF PAGE	CSA PAGE	CONTENTS	SYNC MASTER	DATE
1	1	Table of Contents	M76_LIO	11/27/2006
2	2	Block Diagram	M76_LIO	11/27/2006
3	4	BOM CONFIGURATION	M76_LIO	11/27/2006
4	8	Aliases	M76_LIO	11/27/2006
5	34	PCI-E MiniCard Connector	M75_LIO	04/10/2007
6	35	ExpressCard Connector	M75_LIO	04/10/2007
7	36	MLB I/O Board Connector	M76_LIO	11/27/2006
8	46	Left USB Port	M76_LIO	11/27/2006
9	58	Left ALS	M76_LIO	11/27/2006
10	62	AUDIO:CODEC	M76_AUDIO	05/04/2007
11	63	AUDIO: LINE IN	M76_AUDIO	05/04/2007
12	65	AUDIO: HEADPHONE AMP	M76_AUDIO	05/04/2007
13	66	AUDIO:SPEAKER AMP	M76_AUDIO	05/04/2007
14	67	AUDIO: JACKS	M76_AUDIO	05/04/2007
15	68	AUDIO: JACK TRANSLATORS	M76_AUDIO	05/04/2007
16	69	DC-In & Battery Connectors	M76_LIO	11/27/2006
17	76	5V/3.3V SUPPLY	M57_LIO	11/30/2006
18	96	LEFT I/O POWER CONNECTOR	M76_LIO	11/27/2006
19	97	Cross Reference Page	M76_LIO	11/27/2006
20	98	Cross Reference Page	M76_LIO	11/27/2006
21	100	HISTORY: NON-AUDIO	(MASTER)	(MASTER)
22	101		M76_AUDIO	05/04/2007
23	102	Cross Reference Page		
24	103	Cross Reference Page		

www.laptop-schematics.com

PART#	QTY	DESCRIPTION	REFERENCE DESIGNATOR(S)	CRITICAL	BOM OPTION
051-7268	1	SCHEM,LIO,MBP17	SCH	CRITICAL	
820-2140	1	PCBF,LIO,MBP17	PCB	CRITICAL	

DIMENSIONS ARE IN MILLIMETERS		METRIC		Apple Computer Inc.	
XX : _____		DRAPTER	DESIGN CK	NOTICE OF PROPRIETARY PROPERTY THE INFORMATION CONTAINED HEREIN IS THE PROPRIETARY PROPERTY OF APPLE COMPUTER, INC. THE POSSESSOR AGREES TO THE FOLLOWING: I TO MAINTAIN THE DOCUMENT IN CONFIDENCE II NOT TO REPRODUCE OR COPY IT III NOT TO REVEAL OR PUBLISH IN WHOLE OR PART	
X.XX : _____		ENG APPD	MFG APPD		
X.XXX : _____		QA APPD	DESIGNER		
ANGLES : _____		RELEASE	SCALE		
DO NOT SCALE DRAWING		SCALE NONE		TITLE	
 THIRD ANGLE PROJECTION		MATERIAL/FINISH NOTED AS APPLICABLE		SIZE D	SCHEM, LIO, MBP17 DRAWING NUMBER 051-7268 REV. A.0.0
				SHT 1 OF 24	

8

7

6

5

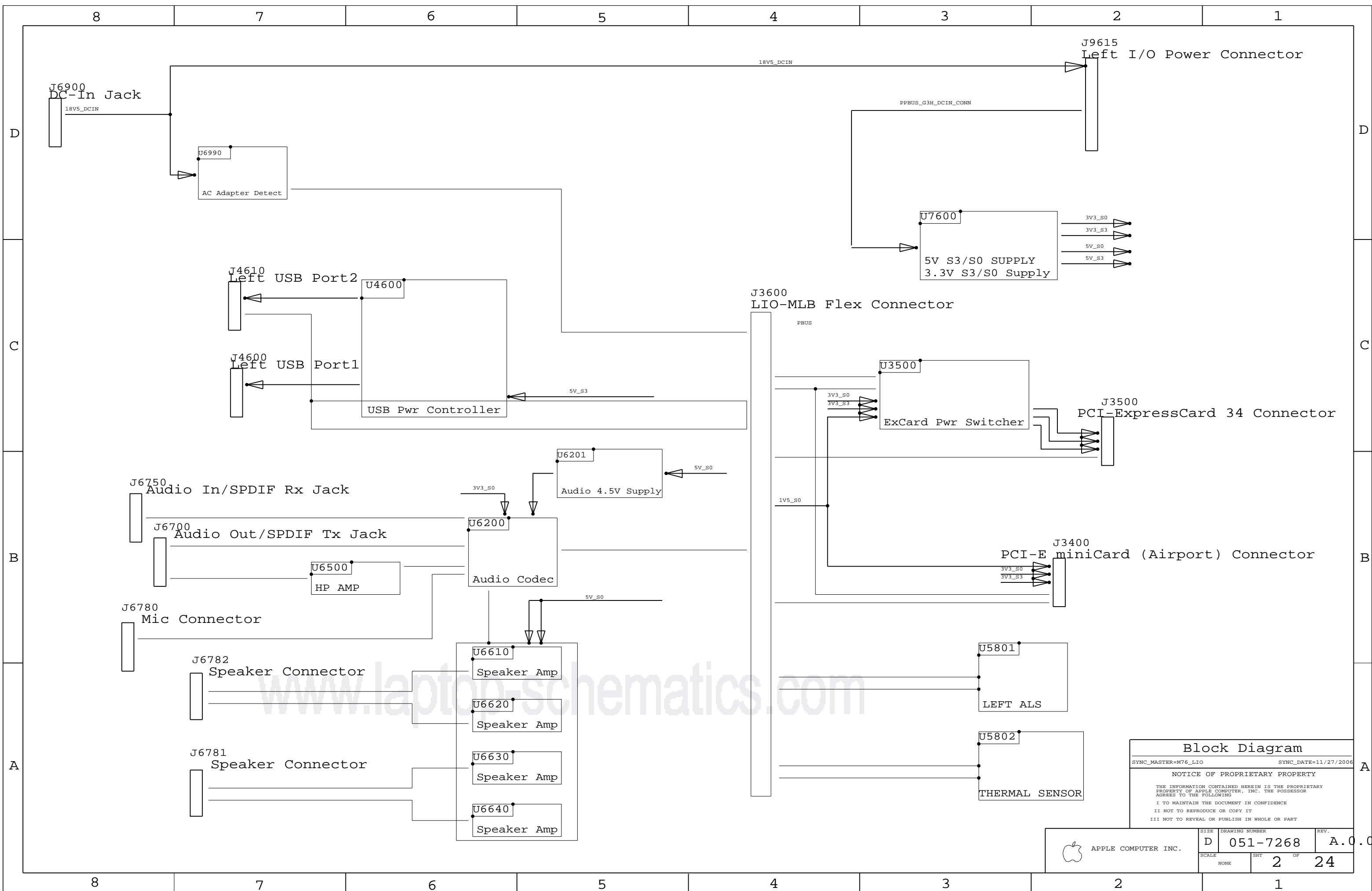
4

3

2

1

www.laptop-schematics.com



**Block Diagram**  
 SYNC\_MASTER=M76\_LIO SYNC\_DATE=11/27/2006  
 NOTICE OF PROPRIETARY PROPERTY  
 THE INFORMATION CONTAINED HEREIN IS THE PROPRIETARY PROPERTY OF APPLE COMPUTER, INC. THE POSSESSOR AGREES TO THE FOLLOWING  
 I TO MAINTAIN THE DOCUMENT IN CONFIDENCE  
 II NOT TO REPRODUCE OR COPY IT  
 III NOT TO REVEAL OR PUBLISH IN WHOLE OR PART

APPLE COMPUTER INC.	SIZE	DRAWING NUMBER	REV.
	D	051-7268	A.0.0
SCALE	SHT	OF	
NONE	2	24	

BOM NUMBER	BOM NAME	BOM OPTIONS
630-7980	PCBA, LIMA, M76	COMMON

PART NUMBER	ALTERNATE FOR PART NUMBER	BOM OPTION	REF DES	COMMENTS:
35381297	35381717		U6990	TI Alt Src


BAR CODE LABEL / EEE#'S

PART NUMBER	QTY	DESCRIPTION	REFERENCE DES	CRITICAL	BOM OPTION
000-0041	1	LBL, P/N LABEL, PCB	[EEE:XBD]	CRITICAL	

PART#	QTY	DESCRIPTION	REFERENCE DESIGNATOR(S)	CRITICAL	BOM OPTION
815-8851	1	ALS SPACER, M9	SP6401	CRITICAL	

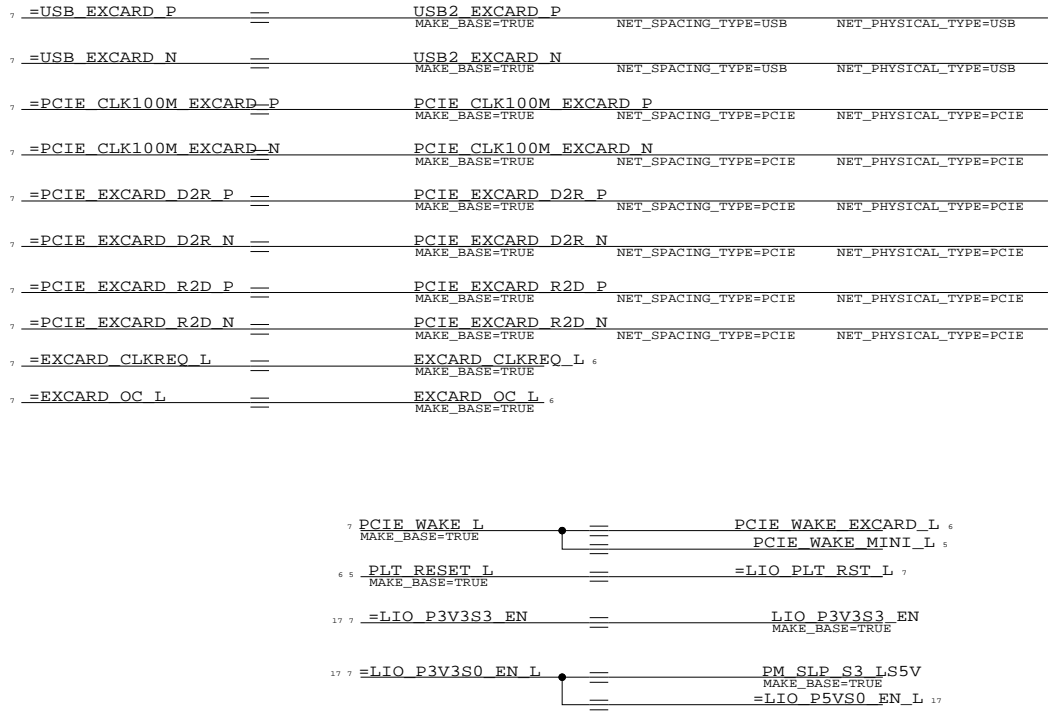
www.laptop-schematics.com

BOM CONFIGURATION	
SYNC_MASTER=M76_LIO	SYNC_DATE=11/27/2006
NOTICE OF PROPRIETARY PROPERTY	
THE INFORMATION CONTAINED HEREIN IS THE PROPRIETARY PROPERTY OF APPLE COMPUTER, INC. THE POSSESSOR AGREES TO THE FOLLOWING	
I TO MAINTAIN THE DOCUMENT IN CONFIDENCE	
II NOT TO REPRODUCE OR COPY IT	
III NOT TO REVEAL OR PUBLISH IN WHOLE OR PART	

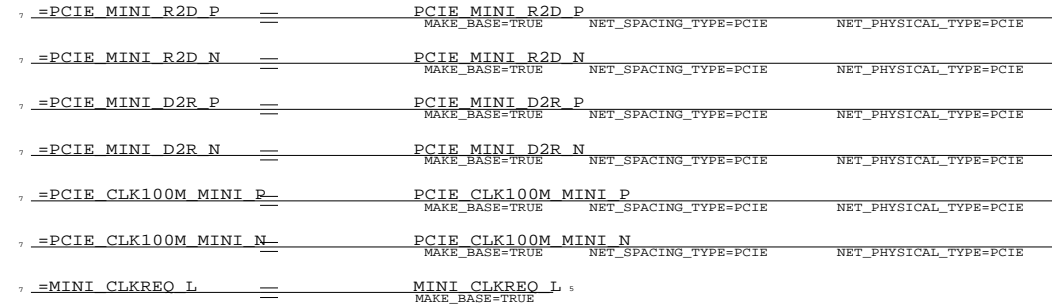
 APPLE COMPUTER INC.	SIZE	DRAWING NUMBER	REV.
	D	051-7268	A.0.0
SCALE	SHT	OF	
NONE	3	24	

POWER & GROUNDS

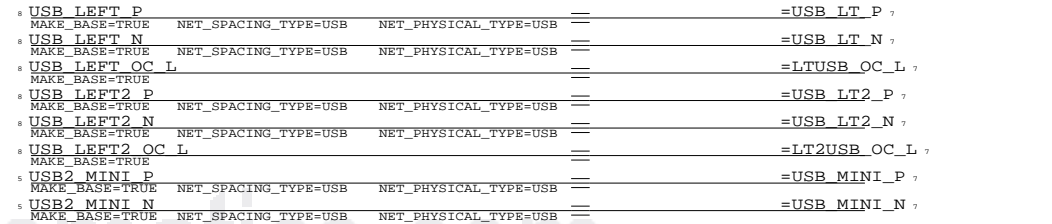
PCI-E EXPRESS CARD 34



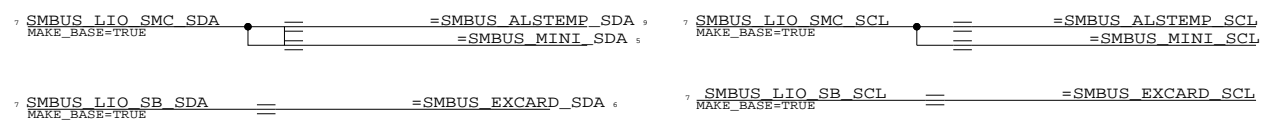
PCI-E MINICARD



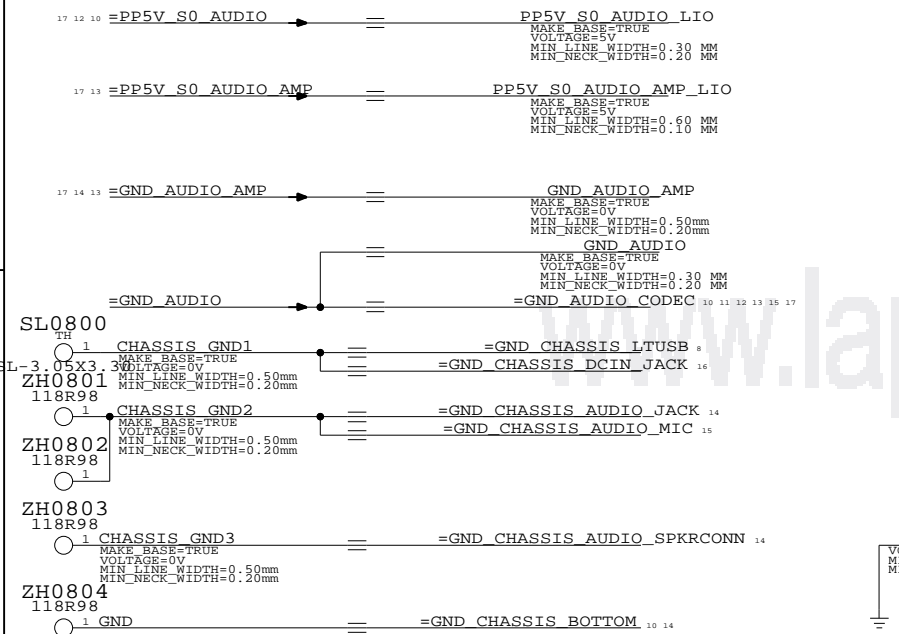
USB



SMBUS



AUDIO



**Aliases**

SYNC\_MASTER=M76\_LIO SYNC\_DATE=11/27/2006

**NOTICE OF PROPRIETARY PROPERTY**

THE INFORMATION CONTAINED HEREIN IS THE PROPRIETARY PROPERTY OF APPLE COMPUTER, INC. THE POSSESSOR AGREES TO THE FOLLOWING

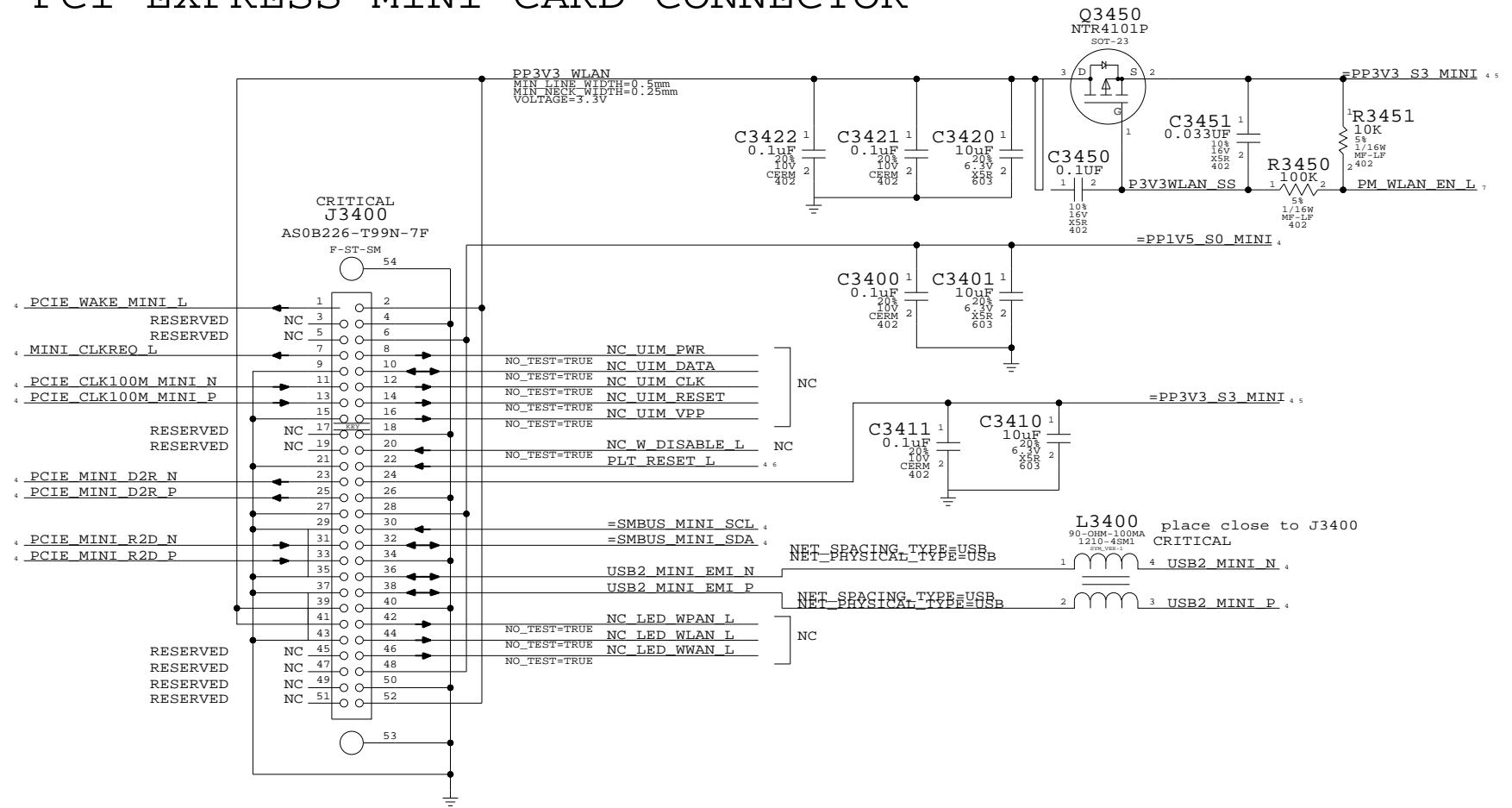
I TO MAINTAIN THE DOCUMENT IN CONFIDENCE  
 II NOT TO REPRODUCE OR COPY IT  
 III NOT TO REVEAL OR PUBLISH IN WHOLE OR PART

APPLE COMPUTER INC.

SIZE	D	DRAWING NUMBER	051-7268	REV.	A.0.0
SCALE	NONE	SHT	4	OF	24

www.laptop-schematics.com

# PCI-EXPRESS MINI CARD CONNECTOR



www.laptop-schematics.com

www.laptop-schematics.com

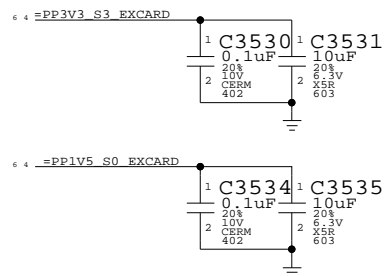
PCI-E MiniCard Connector  
 SYNC\_MASTER=M75\_LIO SYNC\_DATE=04/10/2007  
 NOTICE OF PROPRIETARY PROPERTY  
 THE INFORMATION CONTAINED HEREIN IS THE PROPRIETARY PROPERTY OF APPLE COMPUTER, INC. THE POSSESSOR AGREES TO THE FOLLOWING  
 I TO MAINTAIN THE DOCUMENT IN CONFIDENCE  
 II NOT TO REPRODUCE OR COPY IT  
 III NOT TO REVEAL OR PUBLISH IN WHOLE OR PART

APPLE COMPUTER INC.	SIZE	DRAWING NUMBER	REV.
	D	051-7268	A.0.0
SCALE	SHT OF		
NONE	5 OF		24

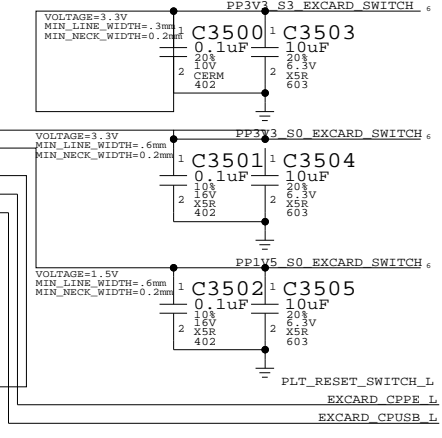
# EXPRESSCARD/34 TOP MOUNT CONNECTOR

CARD CAGE CONNECTOR  
CRITICAL  
J3500  
237-5300703903-2  
P-PT-SM

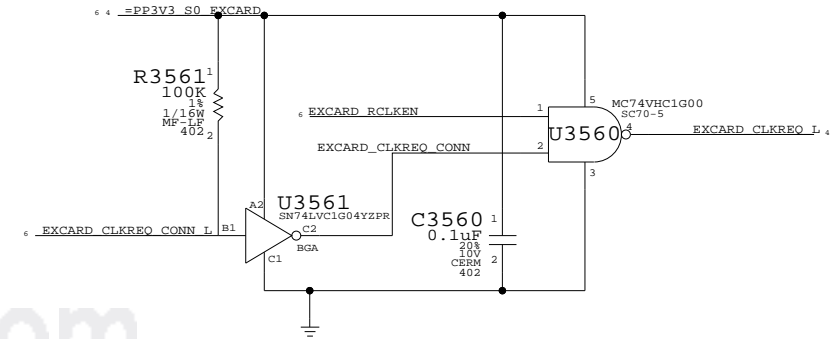
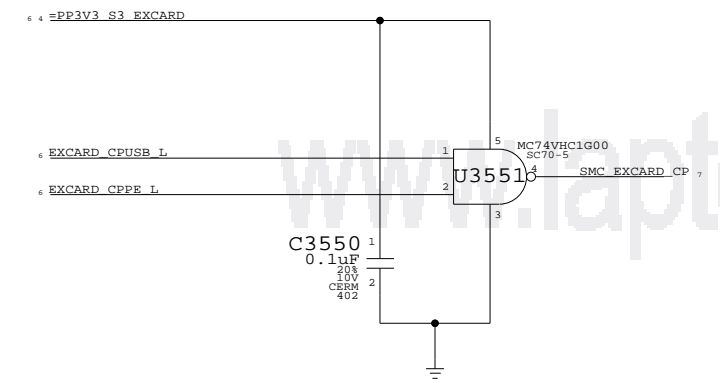
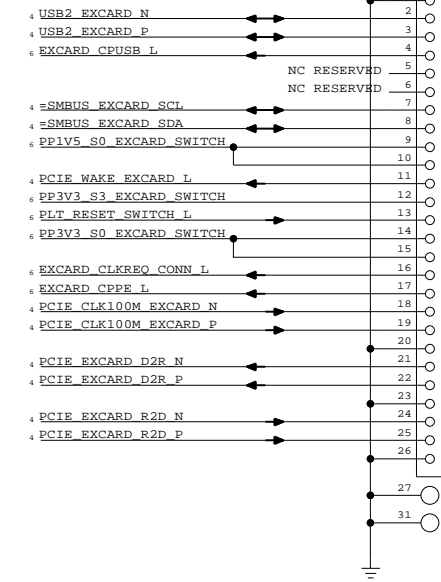
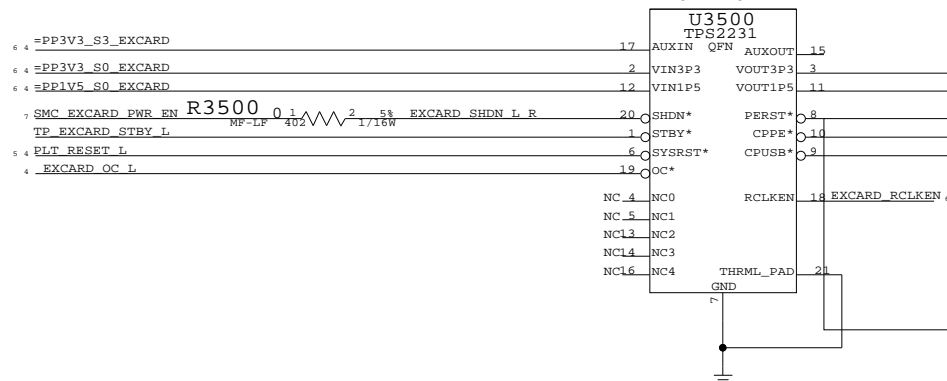
## INPUT DECOUPLING



## OUTPUT DECOUPLING



## CRITICAL

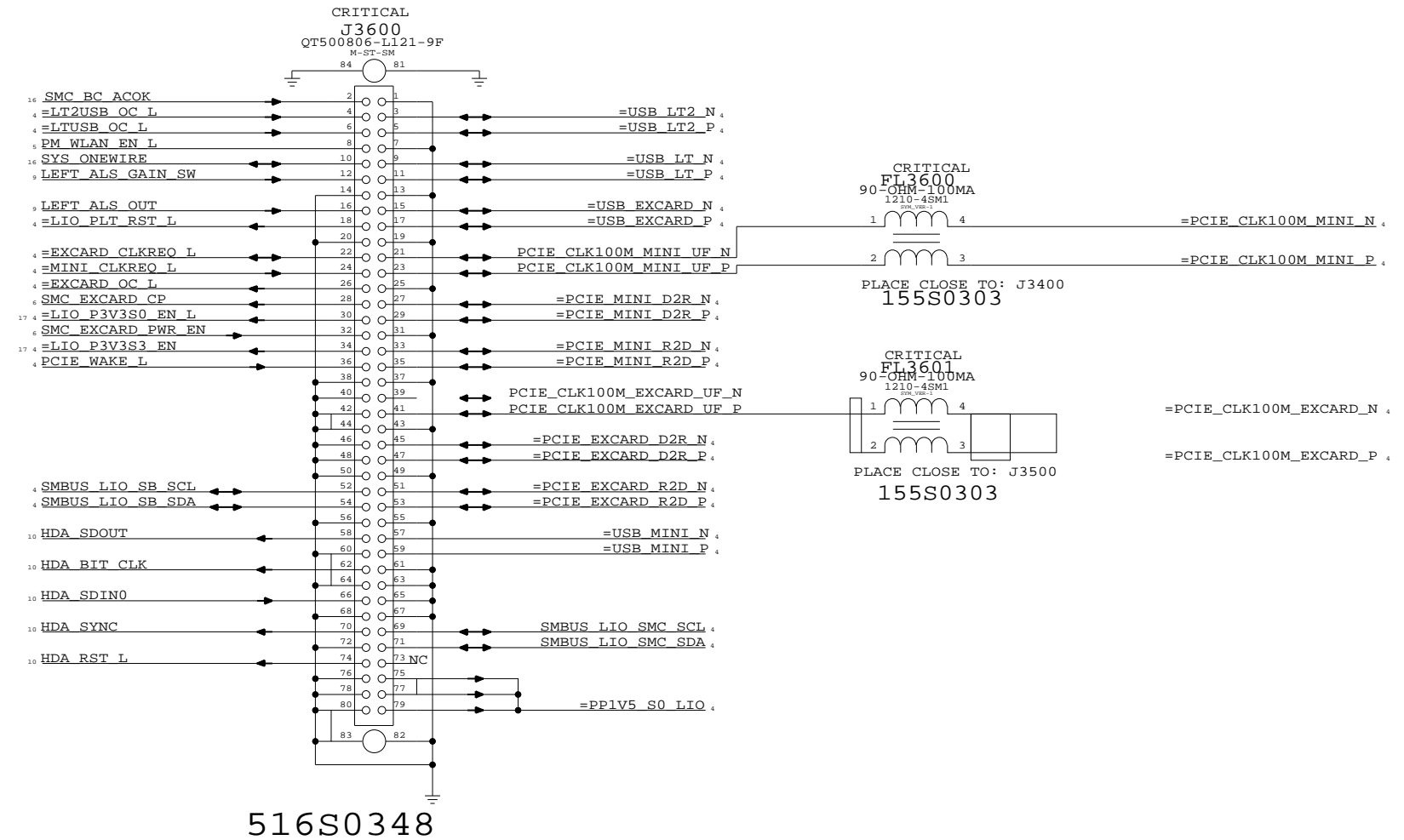


ExpressCard Connector  
SYNC\_MASTER=M75\_LIO SYNC\_DATE=04/10/2007  
NOTICE OF PROPRIETARY PROPERTY  
THE INFORMATION CONTAINED HEREIN IS THE PROPRIETARY PROPERTY OF APPLE COMPUTER, INC. THE POSSESSOR AGREES TO THE FOLLOWING  
I TO MAINTAIN THE DOCUMENT IN CONFIDENCE  
II NOT TO REPRODUCE OR COPY IT  
III NOT TO REVEAL OR PUBLISH IN WHOLE OR PART

APPLE COMPUTER INC.	SIZE	DRAWING NUMBER	REV.
	D	051-7268	A.0.0
SCALE	SHT	OF	
NONE	6	24	

www.laptop-schematics.com

# Left I/O Board Connector



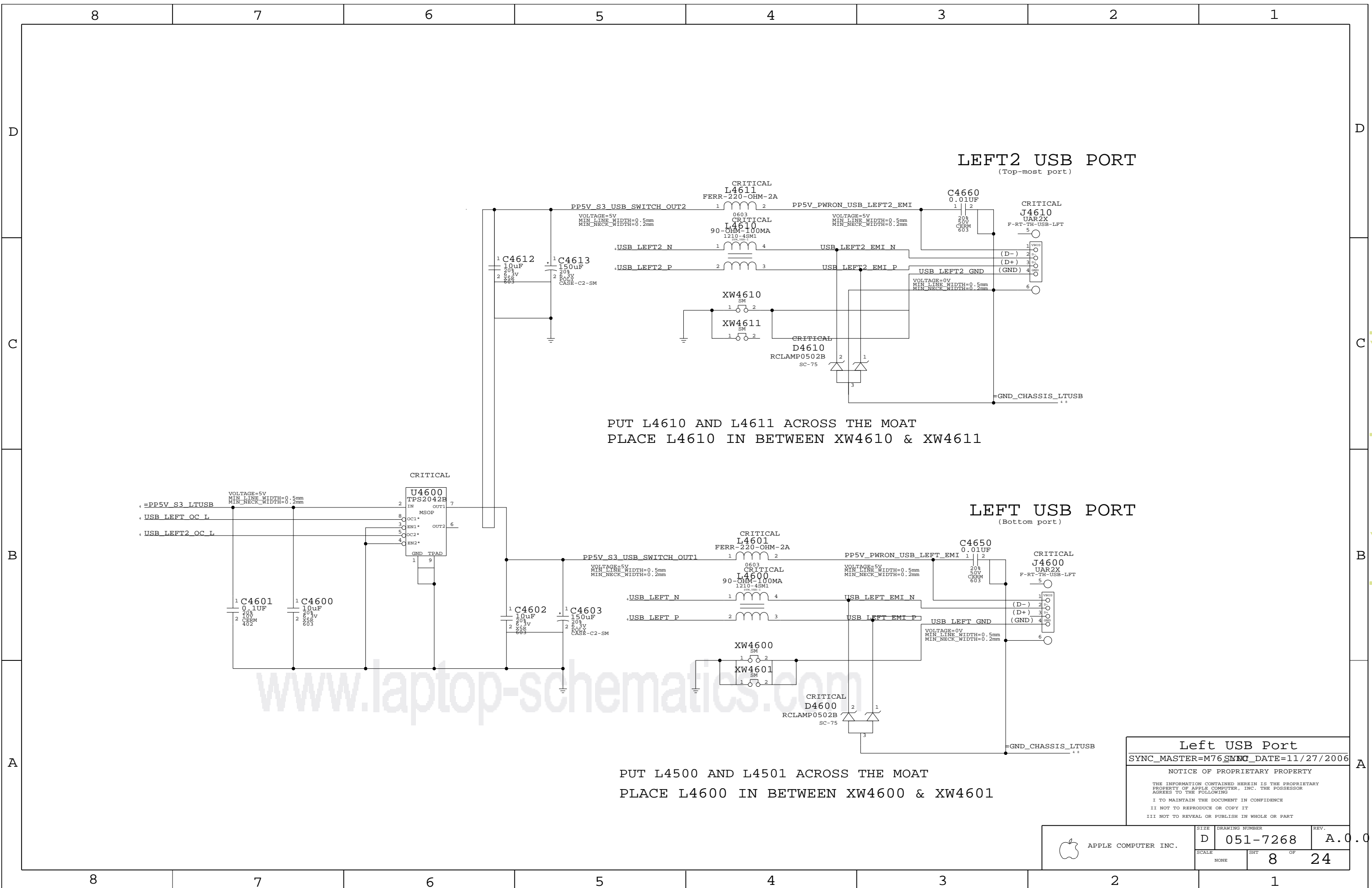
www.laptop-schematics.com

www.laptop-schematics.com

**MLB I/O Board Connector**  
 SYNC\_MASTER=M76\_LIO SYNC\_DATE=11/27/2006

NOTICE OF PROPRIETARY PROPERTY  
 THE INFORMATION CONTAINED HEREIN IS THE PROPRIETARY PROPERTY OF APPLE COMPUTER, INC. THE POSSESSOR AGREES TO THE FOLLOWING  
 I TO MAINTAIN THE DOCUMENT IN CONFIDENCE  
 II NOT TO REPRODUCE OR COPY IT  
 III NOT TO REVEAL OR PUBLISH IN WHOLE OR PART

APPLE COMPUTER INC.	SIZE	DRAWING NUMBER	REV.
	D	051-7268	A.0.0
SCALE	SHT 7 OF 24		
NONE			

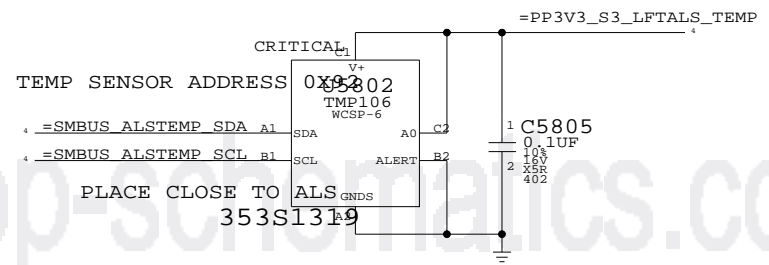
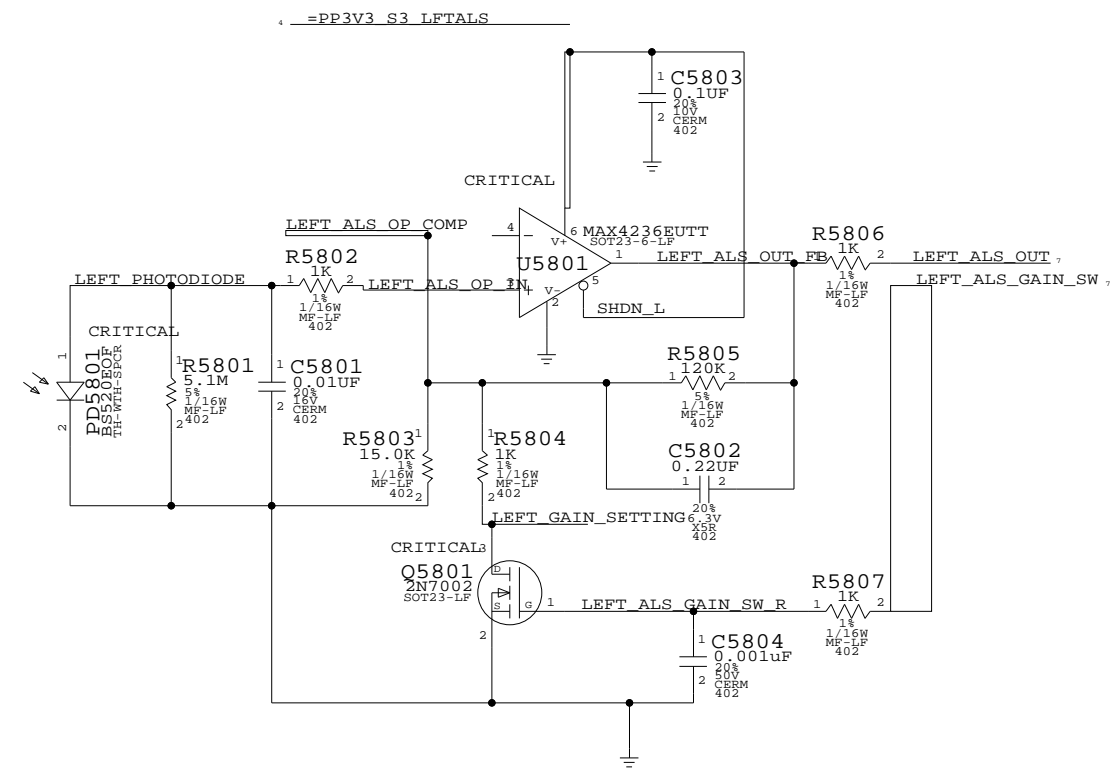


www.laptop-schematics.com

**Left USB Port**  
 SYNC\_MASTER=M76 SMC\_DATE=11/27/2006  
 NOTICE OF PROPRIETARY PROPERTY  
 THE INFORMATION CONTAINED HEREIN IS THE PROPRIETARY PROPERTY OF APPLE COMPUTER, INC. THE POSSESSOR AGREES TO THE FOLLOWING  
 I TO MAINTAIN THE DOCUMENT IN CONFIDENCE  
 II NOT TO REPRODUCE OR COPY IT  
 III NOT TO REVEAL OR PUBLISH IN WHOLE OR PART

APPLE COMPUTER INC.	SIZE	DRAWING NUMBER	REV.
	D	051-7268	A.0.0
SCALE	NONE	SHT	8 OF 24





**Left ALS**

SYNC\_MASTER=M76\_LIO      SYNC\_DATE=11/27/2006

NOTICE OF PROPRIETARY PROPERTY

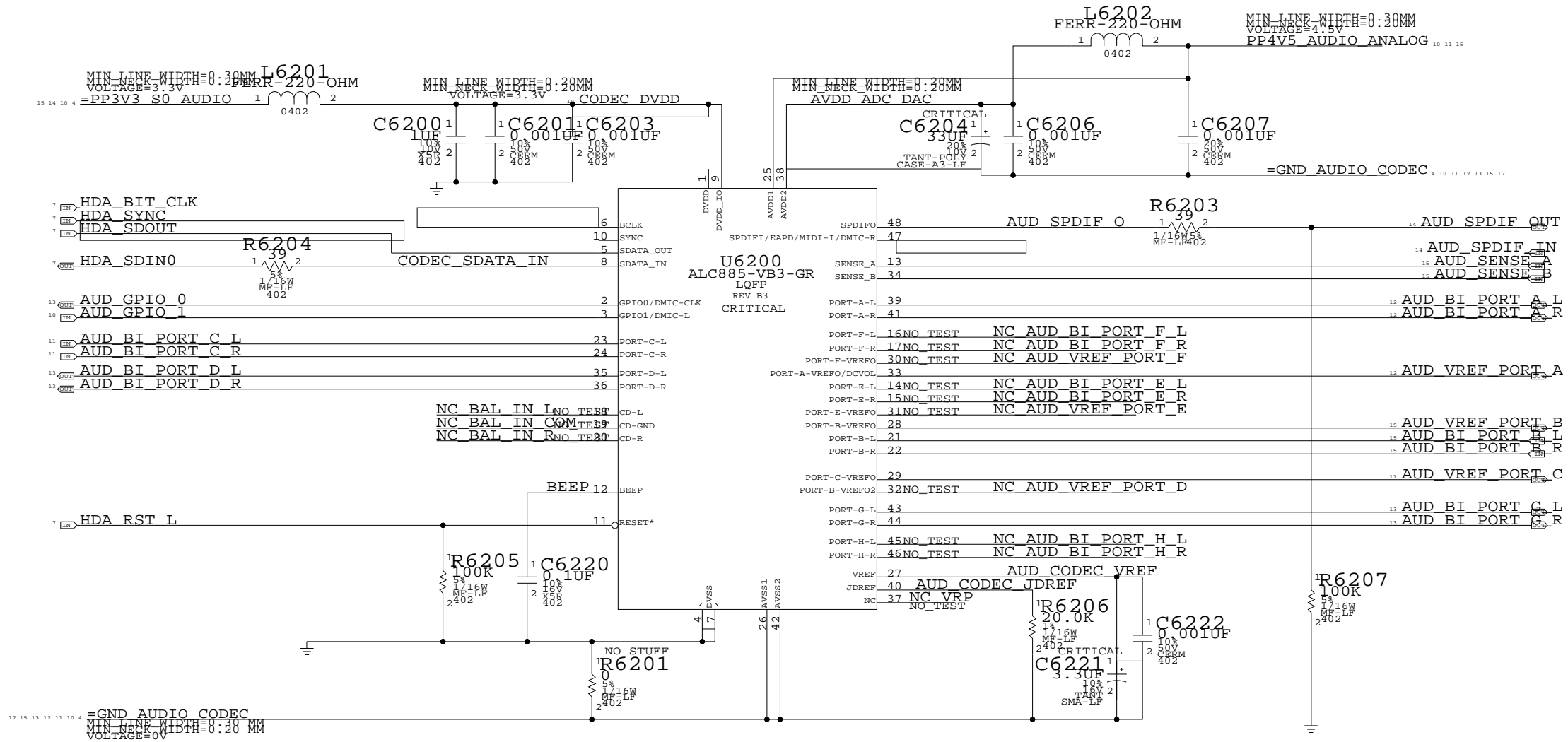
THE INFORMATION CONTAINED HEREIN IS THE PROPRIETARY PROPERTY OF APPLE COMPUTER, INC. THE POSSESSOR AGREES TO THE FOLLOWING

I TO MAINTAIN THE DOCUMENT IN CONFIDENCE  
 II NOT TO REPRODUCE OR COPY IT  
 III NOT TO REVEAL OR PUBLISH IN WHOLE OR PART

APPLE COMPUTER INC.	SIZE	DRAWING NUMBER	REV.
	D	051-7268	A.0.0
SCALE	SHT	OF	
NONE	9	24	

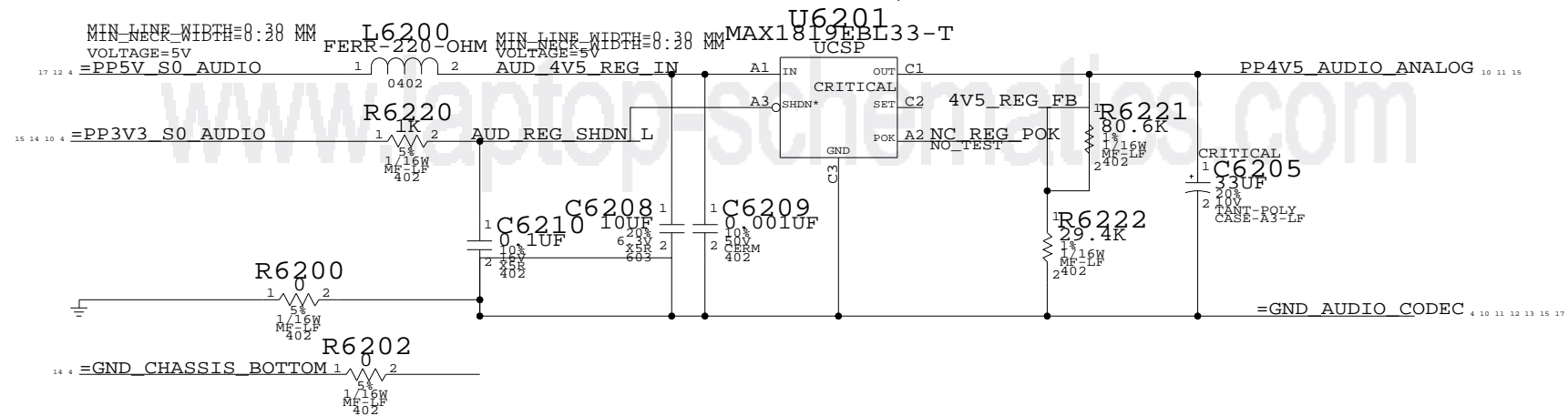
# AUDIO CODEC

APPLE P/N 353S1527



# AUDIO 4.5V REGULATOR

APPLE P/N 353S1455



# AUDIO:CODEC

SYNC\_MASTER=SYNCAUDIO=05/04/2007

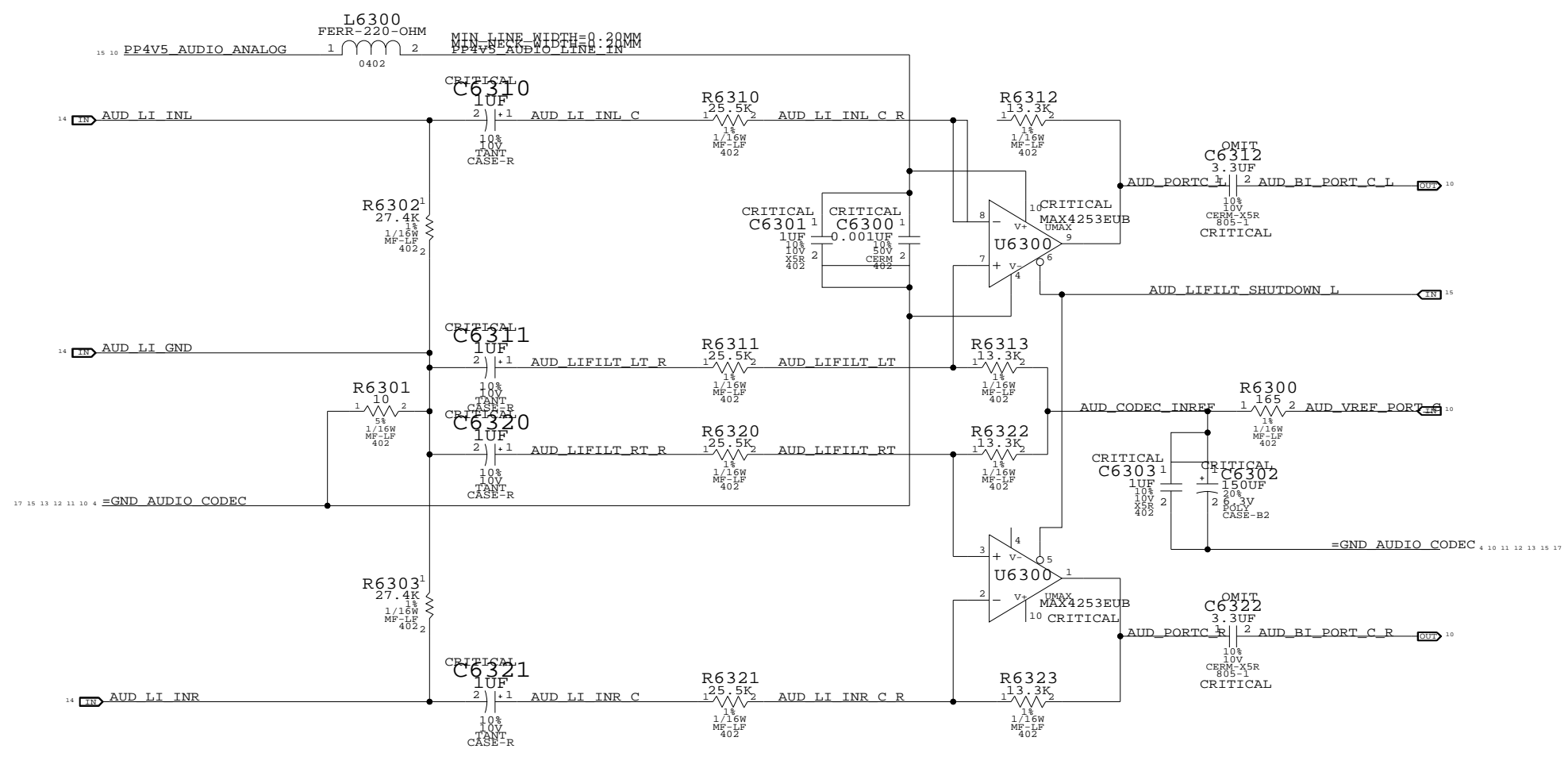
NOTICE OF PROPRIETARY PROPERTY  
 THE INFORMATION CONTAINED HEREIN IS THE PROPRIETARY PROPERTY OF APPLE COMPUTER, INC. THE POSSESSOR AGREES TO THE FOLLOWING  
 I TO MAINTAIN THE DOCUMENT IN CONFIDENCE  
 II NOT TO REPRODUCE OR COPY IT  
 III NOT TO REVEAL OR PUBLISH IN WHOLE OR PART

APPLE COMPUTER INC.	SIZE	DRAWING NUMBER	REV.
	D	051-7268	A.0.0
SCALE	NONE	SHT	10 OF 24

www.laptop-schematics.com

### Pseudo-Diff Line-In Filter

GAIN = -5.4DB AV = 0.52  
 FC = 6.24 HZ



www.laptop-schematics.com

PART#	QTY	DESCRIPTION	REFERENCE DESIGNATOR(S)	CRITICAL	BOM OPTION
138S0620	1	3.3UF 10V 805 X5R CAP	C6312	CRITICAL	?
138S0620	1	3.3UF 10V 805 X5R CAP	C6322	CRITICAL	?

**AUDIO: LINE IN**  
 SYNC\_MASTER=M76\_AUDIO SYNC\_DATE=05/04/2007

NOTICE OF PROPRIETARY PROPERTY

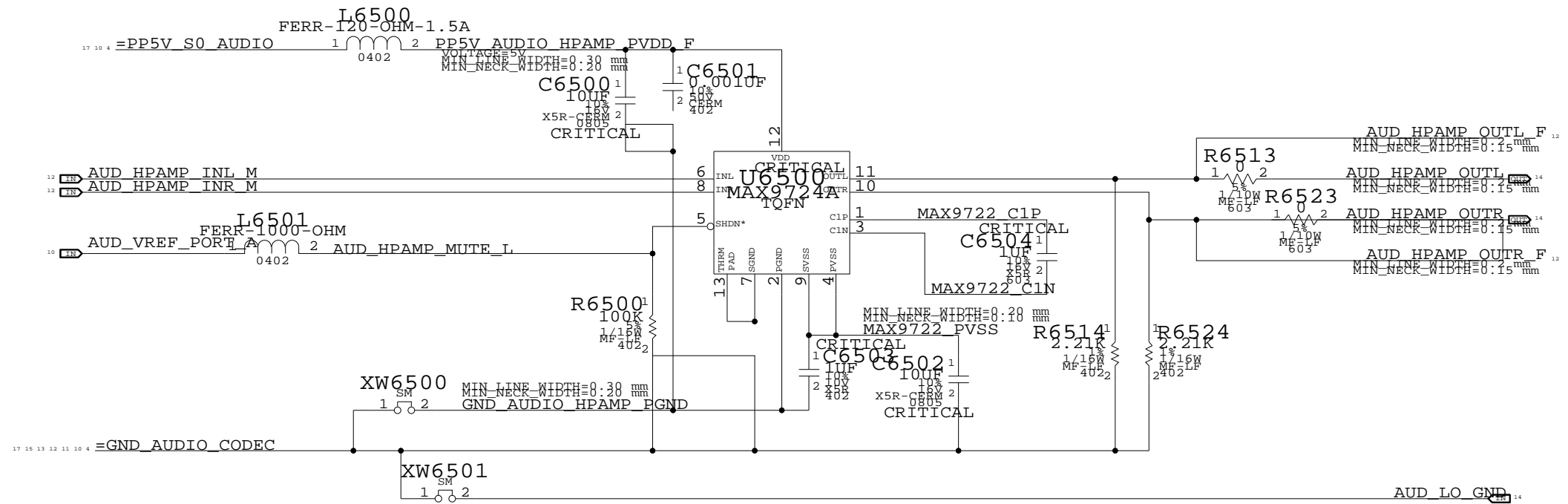
THE INFORMATION CONTAINED HEREIN IS THE PROPRIETARY PROPERTY OF APPLE COMPUTER, INC. THE POSSESSOR AGREES TO THE FOLLOWING

I TO MAINTAIN THE DOCUMENT IN CONFIDENCE  
 II NOT TO REPRODUCE OR COPY IT  
 III NOT TO REVEAL OR PUBLISH IN WHOLE OR PART

APPLE COMPUTER INC.	SIZE	DRAWING NUMBER	REV.
	NONE	051-7268	A.0.0
SCALE		SHT	OF
NONE		11	24

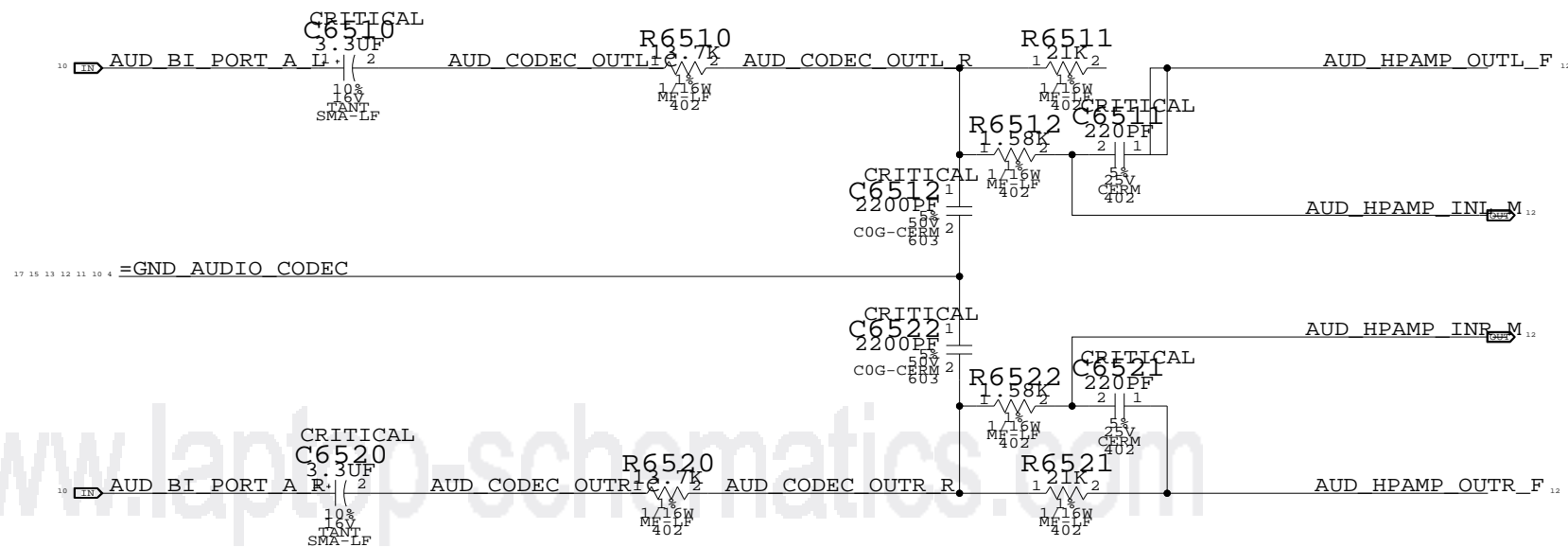
# Headphone Amplifier (MAX9724A)

APN: 353S1637  
VOLTAGE GAIN: 1.53



# 2nd Order DAC Filter

HP: 3.52 HZP: 39 KHZ



## AUDIO: HEADPHONE AMP

SYNC\_MASTER=MSB AUDATE=05/04/2007

NOTICE OF PROPRIETARY PROPERTY

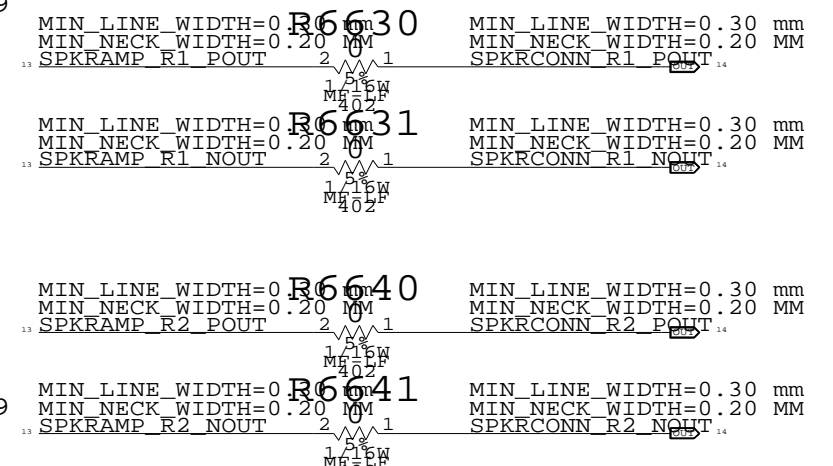
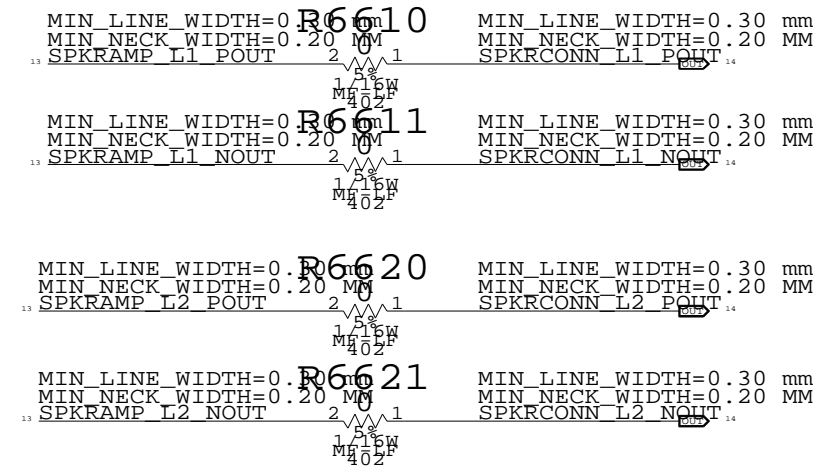
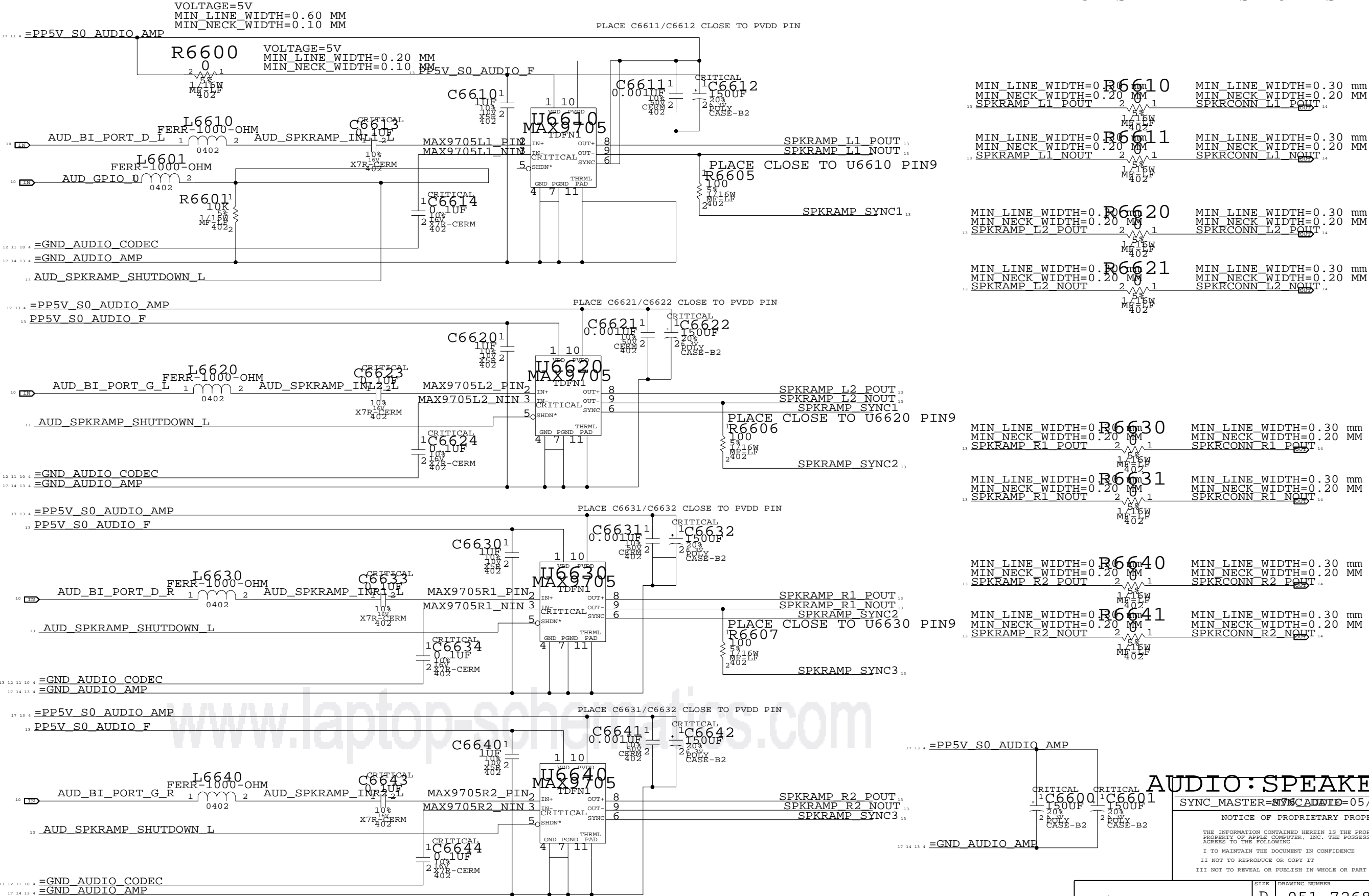
THE INFORMATION CONTAINED HEREIN IS THE PROPRIETARY PROPERTY OF APPLE COMPUTER, INC. THE POSSESSOR AGREES TO THE FOLLOWING

- I TO MAINTAIN THE DOCUMENT IN CONFIDENCE
- II NOT TO REPRODUCE OR COPY IT
- III NOT TO REVEAL OR PUBLISH IN WHOLE OR PART

APPLE COMPUTER INC.	SIZE	DRAWING NUMBER	REV.
	D	051-7268	A.0.0
SCALE	NONE	SHT	12 OF 24

2X MONO SPEAKER AMPLIFIERS (MAX9705) 12DB/9HZ < FC < 132HZ  
 APN: 353S1595 TURN ON TIME: 30MS, TURN ON DELAY: 60MS

FANCY SPEAKER TESTPOINTS



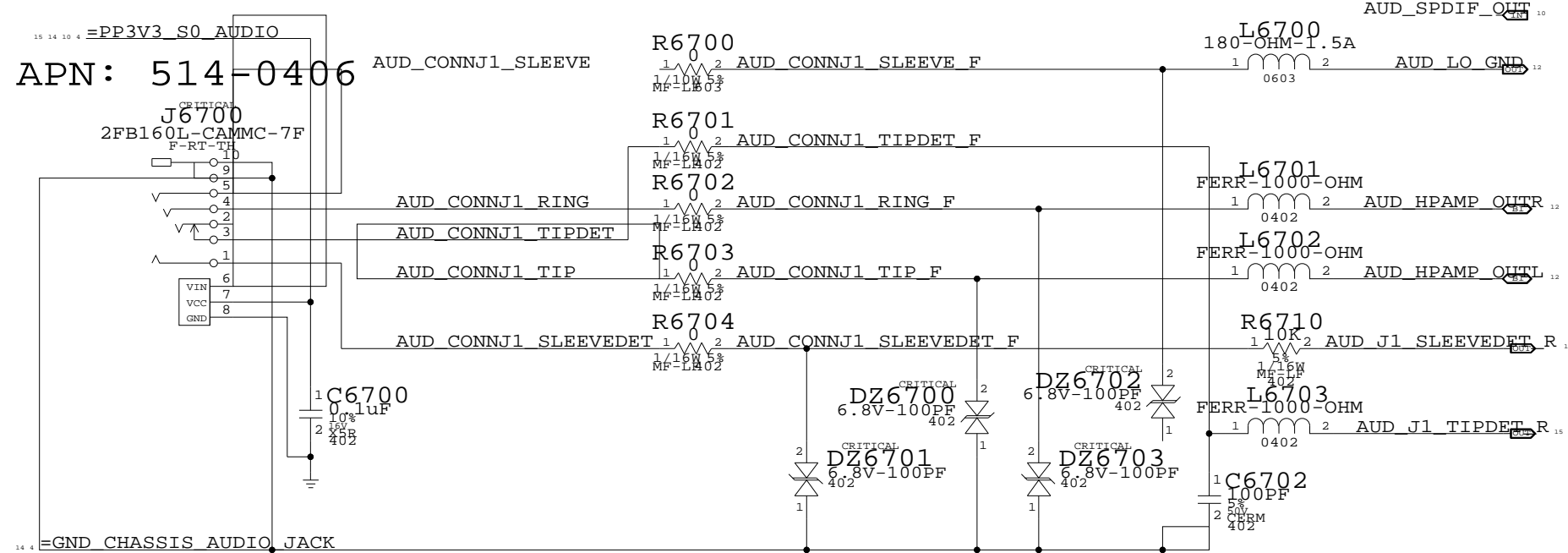
AUDIO: SPEAKER AMP

SYNC\_MASTER=SYNCAUDIO=05/04/2007  
 NOTICE OF PROPRIETARY PROPERTY  
 THE INFORMATION CONTAINED HEREIN IS THE PROPRIETARY PROPERTY OF APPLE COMPUTER, INC. THE POSSESSOR AGREES TO THE FOLLOWING  
 I TO MAINTAIN THE DOCUMENT IN CONFIDENCE  
 II NOT TO REPRODUCE OR COPY IT  
 III NOT TO REVEAL OR PUBLISH IN WHOLE OR PART

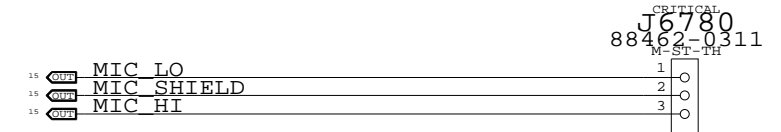
APPLE COMPUTER INC.	SIZE	DRAWING NUMBER	REV.
	NONE	051-7268	A.0.0
		SHT	OF
		13	24

www.laptop-schematics.com

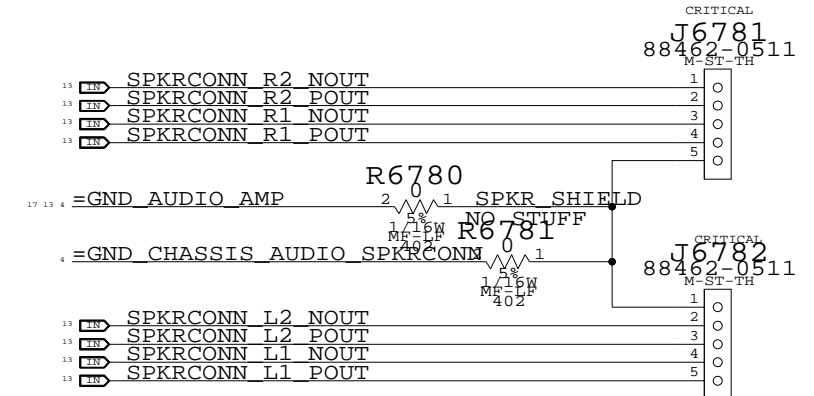
### AUDIO JACK 1 LO/HP CONNECTOR, SPDIF TX



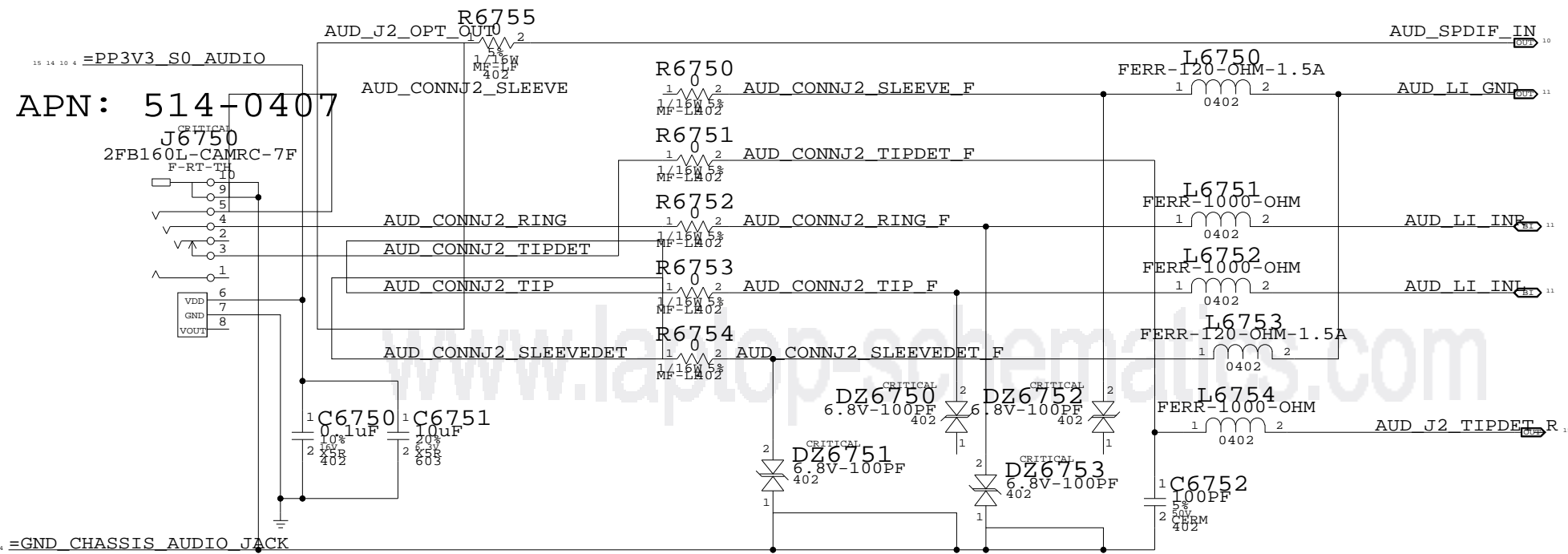
### MIC CONNECTOR APN: 518-0230



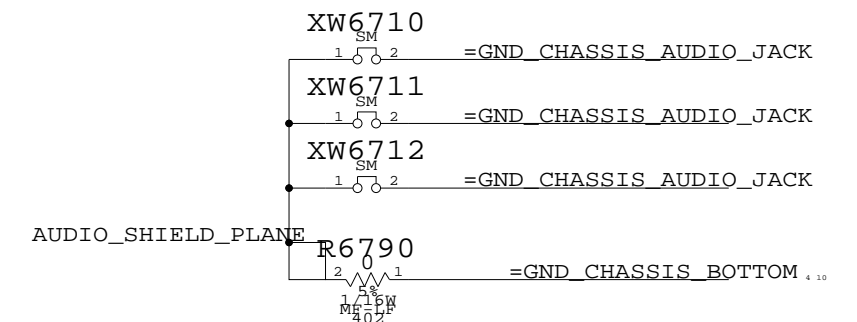
### SPEAKER CONNECTORS APN: 518-0229



### AUDIO JACK 2 LINE IN CONNECTOR, SPDIF RX



### AUDIO SHIELD ( FILLED SHAPE )



**AUDIO: JACKS**  
 SYNC\_MASTER=M76\_AUDIO SYNC\_DATE=05/04/2007  
 NOTICE OF PROPRIETARY PROPERTY  
 THE INFORMATION CONTAINED HEREIN IS THE PROPRIETARY PROPERTY OF APPLE COMPUTER, INC. THE POSSESSOR AGREES TO THE FOLLOWING  
 I TO MAINTAIN THE DOCUMENT IN CONFIDENCE  
 II NOT TO REPRODUCE OR COPY IT  
 III NOT TO REVEAL OR PUBLISH IN WHOLE OR PART

APPLE COMPUTER INC.	SIZE	DRAWING NUMBER	REV.
	D	051-7268	A.0.0
SCALE	NONE	SHT	14 OF 24

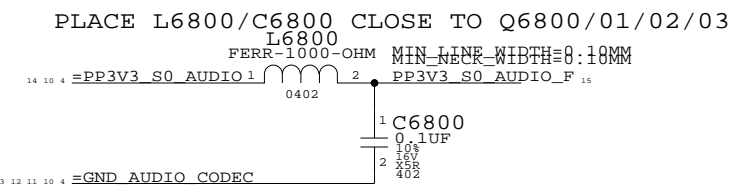
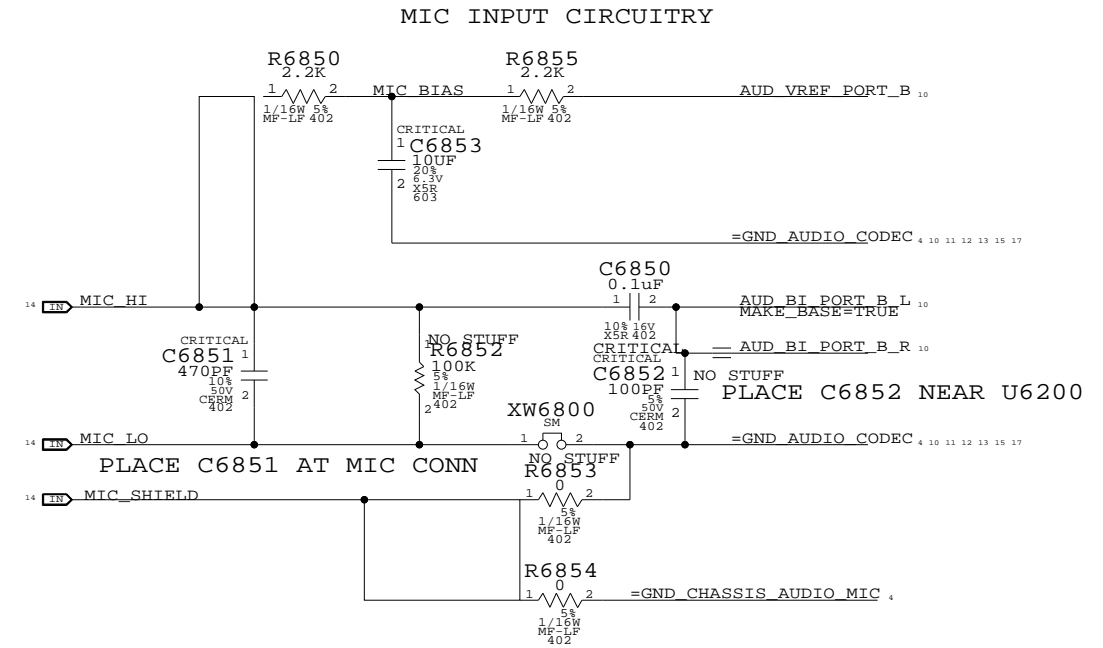
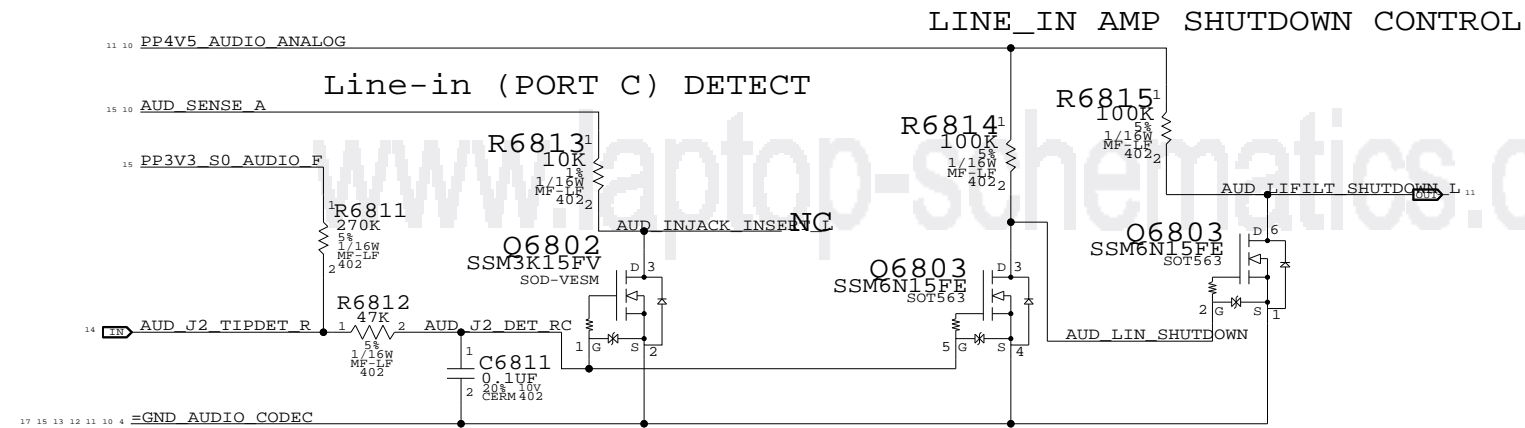
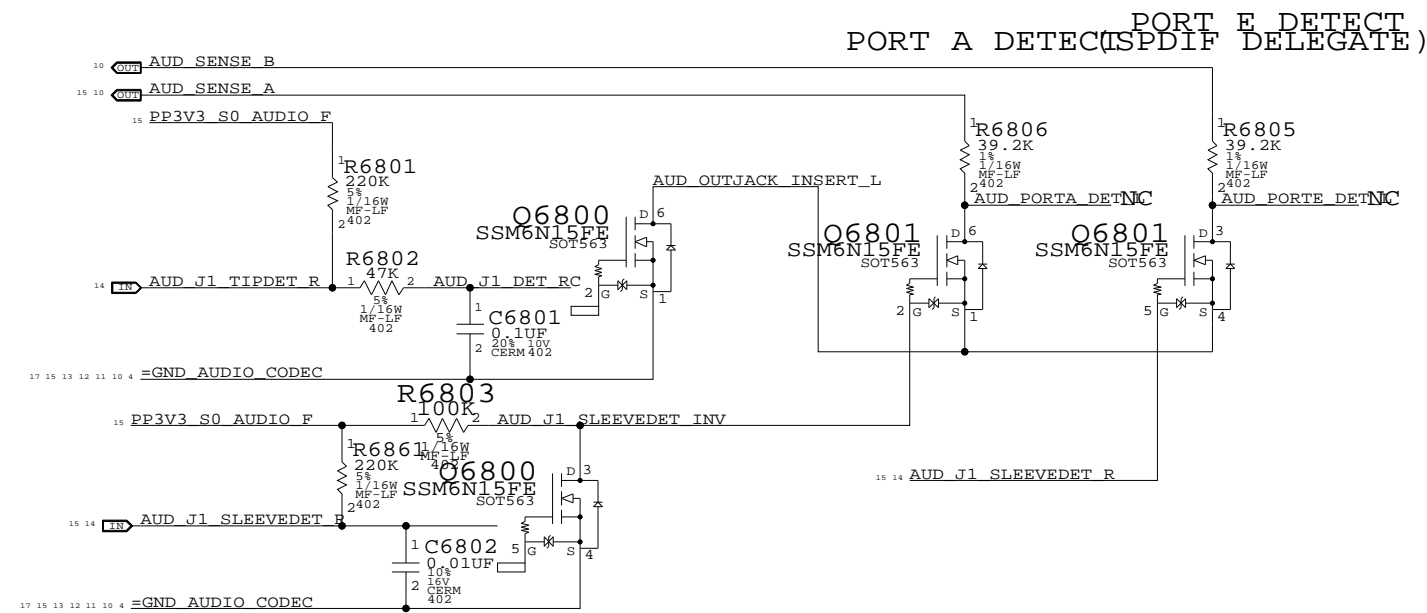
www.laptop-schematics.com

CODEC OUTPUT SIGNAL PATHS

FUNCTION	VOLUME	CONVERTER	PIN	COMPLEX	MUTE CONTROL	DET ASSIGNMENT
HP/LINE OUT	0X0F (15)	0X05 (05)	0X15 (21,A)		VREF A (21)	0X15 (21,A)
SPEAKER 1	0X26 (38)	0X25 (37)	0X14 (20,D)		GPIO 0	N/A
SPEAKER 2	0X04 (14)	0X04 (04)	0X16 (22,G)		GPIO 0	N/A
SPDIF OUT	N/A	0X06 (06)	0X1E (30,SPDIF)		N/A	0X1B (27,E)

CODEC INPUT SIGNAL PATHS

FUNCTION	MIXER	CONVERTER	PIN	COMPLEX	VREF	DET ASSIGNMENT
LINE IN	0X23 (35)	0X08 (08)	0X1A (26,C)		N/A	0X1A (26,C)
MIC IN	0X24 (36)	0X07 (07)	0X18 (24,B)		VREF B (24,80N/A)	N/A
SPDIF IN	N/A	0X0A (10)	0X1F (31,SPDIF)		N/A	N/A



AUDIO: JACK TRANSLATORS

SYNC\_MASTER=M76\_AUDIO SYNC\_DATE=05/04/2007

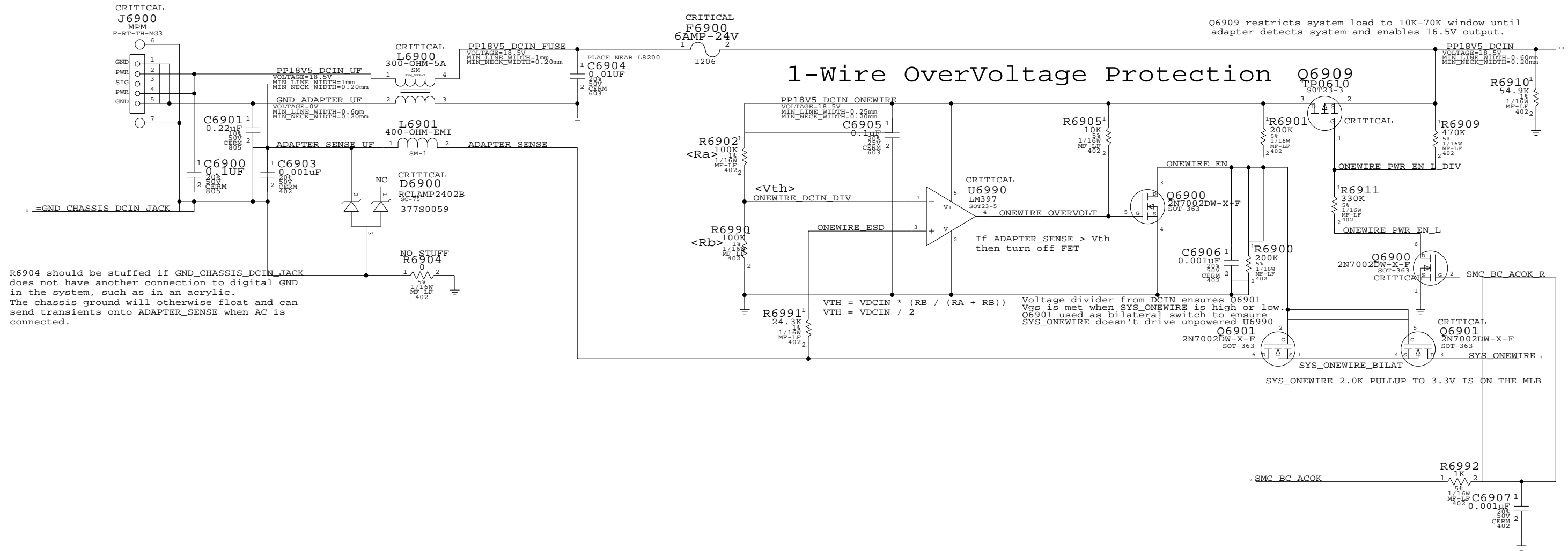
NOTICE OF PROPRIETARY PROPERTY

THE INFORMATION CONTAINED HEREIN IS THE PROPRIETARY PROPERTY OF APPLE COMPUTER, INC. THE POSSESSOR AGREES TO THE FOLLOWING  
 I TO MAINTAIN THE DOCUMENT IN CONFIDENCE  
 II NOT TO REPRODUCE OR COPY IT  
 III NOT TO REVEAL OR PUBLISH IN WHOLE OR PART

APPLE COMPUTER INC.	SIZE	DRAWING NUMBER	REV.
	D	051-7268	A.0.0
SCALE	NONE	SHT	15 OF 24

# DC Power Jack

## 1-Wire OverVoltage Protection



www.laptop-schematics.com

www.laptop-schematics.com

### DC-In & Battery Connectors

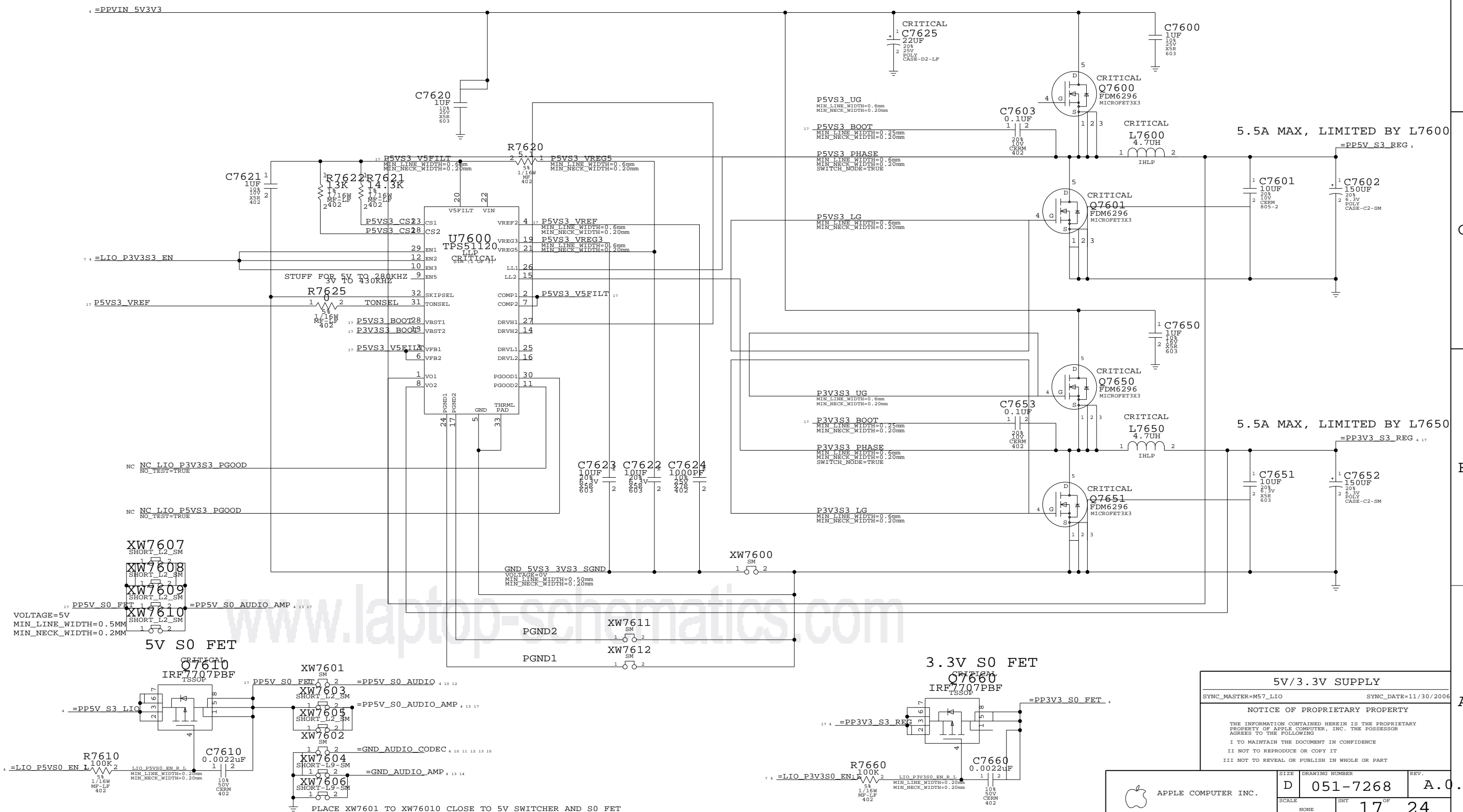
SYNC\_MASTER=M76\_LIO SYNC\_DATE=11/27/2006

NOTICE OF PROPRIETARY PROPERTY  
 THE INFORMATION CONTAINED HEREIN IS THE PROPRIETARY PROPERTY OF APPLE COMPUTER, INC. THE POSSESSOR AGREES TO THE FOLLOWING  
 I TO MAINTAIN THE DOCUMENT IN CONFIDENCE  
 II NOT TO REPRODUCE OR COPY IT  
 III NOT TO REVEAL OR PUBLISH IN WHOLE OR PART

APPLE COMPUTER INC.	SIZE	DRAWING NUMBER	REV.
	D	051-7268	A.0.0
SCALE	SHT	16 OF 24	
NONE			



# 5V/3.3V POWER SUPPLY

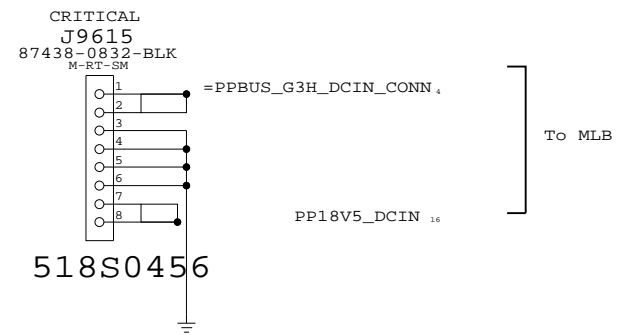


**5V/3.3V SUPPLY**  
 SYNC\_MASTER=M57\_LIO SYNC\_DATE=11/30/2006  
**NOTICE OF PROPRIETARY PROPERTY**  
 THE INFORMATION CONTAINED HEREIN IS THE PROPRIETARY PROPERTY OF APPLE COMPUTER, INC. THE POSSESSOR AGREES TO THE FOLLOWING:  
 I TO MAINTAIN THE DOCUMENT IN CONFIDENCE  
 II NOT TO REPRODUCE OR COPY IT  
 III NOT TO REVEAL OR PUBLISH IN WHOLE OR PART

APPLE COMPUTER INC.	SIZE	DRAWING NUMBER	REV.
	D	051-7268	A.0.0
SCALE	SHT		OF
NONE	17		24

www.laptop-schematics.com

# Left I/O Power Connector



www.laptop-schematics.com

www.laptop-schematics.com

LEFT I/O POWER CONNECTOR  
 SYNC\_MASTER=M76\_LIO SYNC\_DATE=11/27/2006

NOTICE OF PROPRIETARY PROPERTY  
 THE INFORMATION CONTAINED HEREIN IS THE PROPRIETARY  
 PROPERTY OF APPLE COMPUTER, INC. THE POSSESSOR  
 AGREES TO THE FOLLOWING  
 I TO MAINTAIN THE DOCUMENT IN CONFIDENCE  
 II NOT TO REPRODUCE OR COPY IT  
 III NOT TO REVEAL OR PUBLISH IN WHOLE OR PART

APPLE COMPUTER INC.	SIZE	DRAWING NUMBER	REV.
	D	051-7268	A.0.0
SCALE	SHT		OF
NONE	18		24



	8	7	6	5	4	3	2	1																																																																																																																																						
	<p>Title: Cref Part Report  Design: sync  Date: Nov 17 19:00:01 2006</p>		<table border="1"> <tr><td>R6901</td><td>RES_402</td><td>sync[10D2]</td></tr> <tr><td>R6902</td><td>RES_402</td><td>sync[10D5]</td></tr> <tr><td>R6904</td><td>RES_402</td><td>sync[10C6]</td></tr> <tr><td>R6905</td><td>RES_402</td><td>sync[10D3]</td></tr> <tr><td>R6909</td><td>RES_402</td><td>sync[10D1]</td></tr> <tr><td>R6910</td><td>RES_402</td><td>sync[10D1]</td></tr> <tr><td>R6911</td><td>RES_402</td><td>sync[10C2]</td></tr> <tr><td>R6990</td><td>RES_402</td><td>sync[10C5]</td></tr> <tr><td>R6991</td><td>RES_402</td><td>sync[10C4]</td></tr> <tr><td>R6992</td><td>RES_402</td><td>sync[10B1]</td></tr> <tr><td>R7610</td><td>RES_402</td><td>sync[11A8]</td></tr> <tr><td>R7620</td><td>RES_402</td><td>sync[11C5]</td></tr> <tr><td>R7621</td><td>RES_402</td><td>sync[11C6]</td></tr> <tr><td>R7622</td><td>RES_402</td><td>sync[11C7]</td></tr> <tr><td>R7625</td><td>RES_402</td><td>sync[11C6]</td></tr> <tr><td>R7660</td><td>RES_402</td><td>sync[11A4]</td></tr> <tr><td>SL0800</td><td>SLOT_TH</td><td>sync[4A8]</td></tr> <tr><td>U3500</td><td>PWR_CNTRL_TPS2231_QF</td><td>sync[6C5]</td></tr> <tr><td></td><td>N</td><td></td></tr> <tr><td>U3551</td><td>MC74VHC1G00_SC70-5</td><td>sync[6A6]</td></tr> <tr><td>U3560</td><td>MC74VHC1G00_SC70-5</td><td>sync[6B2]</td></tr> <tr><td>U4600</td><td>SWI_TPS2042B_MSOP</td><td>sync[8B6]</td></tr> <tr><td>U5801</td><td>OPAMP_MAX4236EUITT_SO</td><td>sync[9C5]</td></tr> <tr><td></td><td>T23-6-LF</td><td></td></tr> <tr><td>U5802</td><td>TMP106_WCSP-6</td><td>sync[9B5]</td></tr> <tr><td>U6990</td><td>COMPARATOR_LM397_SOT</td><td>sync[10C4]</td></tr> <tr><td></td><td>23-5</td><td></td></tr> <tr><td>U7600</td><td>TPS51120_ILP</td><td>sync[11C6]</td></tr> <tr><td>XW7600</td><td>SHORT_SM</td><td>sync[11A4]</td></tr> <tr><td>XW7601</td><td>SHORT_SM</td><td>sync[11A7]</td></tr> <tr><td>XW7602</td><td>SHORT_SM</td><td>sync[11A7]</td></tr> <tr><td>XW7603</td><td>SHORT_SM</td><td>sync[11A7]</td></tr> <tr><td>XW7604</td><td>SHORT_SM</td><td>sync[11A7]</td></tr> <tr><td>XW7605</td><td>SHORT_SM</td><td>sync[11A7]</td></tr> <tr><td>XW7606</td><td>SHORT_SM</td><td>sync[11A7]</td></tr> <tr><td>XW7607</td><td>SHORT_SM</td><td>sync[11B6]</td></tr> <tr><td>XW7608</td><td>SHORT_SM</td><td>sync[11B6]</td></tr> <tr><td>XW7609</td><td>SHORT_SM</td><td>sync[11A2]</td></tr> <tr><td>XW7610</td><td>SHORT_SM</td><td>sync[11A2]</td></tr> <tr><td>ZH0801</td><td>MTGSOLE</td><td>sync[4A8]</td></tr> <tr><td>ZH0802</td><td>MTGSOLE</td><td>sync[4A8]</td></tr> <tr><td>ZH0803</td><td>MTGSOLE</td><td>sync[4A8]</td></tr> <tr><td>ZH0804</td><td>MTGSOLE</td><td>sync[4A8]</td></tr> </table>						R6901	RES_402	sync[10D2]	R6902	RES_402	sync[10D5]	R6904	RES_402	sync[10C6]	R6905	RES_402	sync[10D3]	R6909	RES_402	sync[10D1]	R6910	RES_402	sync[10D1]	R6911	RES_402	sync[10C2]	R6990	RES_402	sync[10C5]	R6991	RES_402	sync[10C4]	R6992	RES_402	sync[10B1]	R7610	RES_402	sync[11A8]	R7620	RES_402	sync[11C5]	R7621	RES_402	sync[11C6]	R7622	RES_402	sync[11C7]	R7625	RES_402	sync[11C6]	R7660	RES_402	sync[11A4]	SL0800	SLOT_TH	sync[4A8]	U3500	PWR_CNTRL_TPS2231_QF	sync[6C5]		N		U3551	MC74VHC1G00_SC70-5	sync[6A6]	U3560	MC74VHC1G00_SC70-5	sync[6B2]	U4600	SWI_TPS2042B_MSOP	sync[8B6]	U5801	OPAMP_MAX4236EUITT_SO	sync[9C5]		T23-6-LF		U5802	TMP106_WCSP-6	sync[9B5]	U6990	COMPARATOR_LM397_SOT	sync[10C4]		23-5		U7600	TPS51120_ILP	sync[11C6]	XW7600	SHORT_SM	sync[11A4]	XW7601	SHORT_SM	sync[11A7]	XW7602	SHORT_SM	sync[11A7]	XW7603	SHORT_SM	sync[11A7]	XW7604	SHORT_SM	sync[11A7]	XW7605	SHORT_SM	sync[11A7]	XW7606	SHORT_SM	sync[11A7]	XW7607	SHORT_SM	sync[11B6]	XW7608	SHORT_SM	sync[11B6]	XW7609	SHORT_SM	sync[11A2]	XW7610	SHORT_SM	sync[11A2]	ZH0801	MTGSOLE	sync[4A8]	ZH0802	MTGSOLE	sync[4A8]	ZH0803	MTGSOLE	sync[4A8]	ZH0804	MTGSOLE	sync[4A8]					
R6901	RES_402	sync[10D2]																																																																																																																																												
R6902	RES_402	sync[10D5]																																																																																																																																												
R6904	RES_402	sync[10C6]																																																																																																																																												
R6905	RES_402	sync[10D3]																																																																																																																																												
R6909	RES_402	sync[10D1]																																																																																																																																												
R6910	RES_402	sync[10D1]																																																																																																																																												
R6911	RES_402	sync[10C2]																																																																																																																																												
R6990	RES_402	sync[10C5]																																																																																																																																												
R6991	RES_402	sync[10C4]																																																																																																																																												
R6992	RES_402	sync[10B1]																																																																																																																																												
R7610	RES_402	sync[11A8]																																																																																																																																												
R7620	RES_402	sync[11C5]																																																																																																																																												
R7621	RES_402	sync[11C6]																																																																																																																																												
R7622	RES_402	sync[11C7]																																																																																																																																												
R7625	RES_402	sync[11C6]																																																																																																																																												
R7660	RES_402	sync[11A4]																																																																																																																																												
SL0800	SLOT_TH	sync[4A8]																																																																																																																																												
U3500	PWR_CNTRL_TPS2231_QF	sync[6C5]																																																																																																																																												
	N																																																																																																																																													
U3551	MC74VHC1G00_SC70-5	sync[6A6]																																																																																																																																												
U3560	MC74VHC1G00_SC70-5	sync[6B2]																																																																																																																																												
U4600	SWI_TPS2042B_MSOP	sync[8B6]																																																																																																																																												
U5801	OPAMP_MAX4236EUITT_SO	sync[9C5]																																																																																																																																												
	T23-6-LF																																																																																																																																													
U5802	TMP106_WCSP-6	sync[9B5]																																																																																																																																												
U6990	COMPARATOR_LM397_SOT	sync[10C4]																																																																																																																																												
	23-5																																																																																																																																													
U7600	TPS51120_ILP	sync[11C6]																																																																																																																																												
XW7600	SHORT_SM	sync[11A4]																																																																																																																																												
XW7601	SHORT_SM	sync[11A7]																																																																																																																																												
XW7602	SHORT_SM	sync[11A7]																																																																																																																																												
XW7603	SHORT_SM	sync[11A7]																																																																																																																																												
XW7604	SHORT_SM	sync[11A7]																																																																																																																																												
XW7605	SHORT_SM	sync[11A7]																																																																																																																																												
XW7606	SHORT_SM	sync[11A7]																																																																																																																																												
XW7607	SHORT_SM	sync[11B6]																																																																																																																																												
XW7608	SHORT_SM	sync[11B6]																																																																																																																																												
XW7609	SHORT_SM	sync[11A2]																																																																																																																																												
XW7610	SHORT_SM	sync[11A2]																																																																																																																																												
ZH0801	MTGSOLE	sync[4A8]																																																																																																																																												
ZH0802	MTGSOLE	sync[4A8]																																																																																																																																												
ZH0803	MTGSOLE	sync[4A8]																																																																																																																																												
ZH0804	MTGSOLE	sync[4A8]																																																																																																																																												
D	<p>C3400 CAP_402 sync[5C3]  C3401 CAP_603 sync[5C3]  C3410 CAP_402 sync[5C3]  C3411 CAP_603 sync[5C3]  C3420 CAP_402 sync[5C3]  C3421 CAP_603 sync[5C3]  C3500 CAP_402 sync[6C4]  C3501 CAP_402 sync[6C4]  C3502 CAP_402 sync[6C4]  C3503 CAP_603 sync[6C4]  C3504 CAP_603 sync[6C4]  C3505 CAP_603 sync[6C4]  C3530 CAP_402 sync[6C8]  C3531 CAP_603 sync[6C7]  C3534 CAP_402 sync[6C8]  C3535 CAP_603 sync[6C7]  C3550 CAP_402 sync[6A7]  C3560 CAP_402 sync[6A3]  C4600 CAP_603 sync[8B7]  C4601 CAP_402 sync[8B7]  C4602 CAP_603 sync[8B6]  C4603 CAP_P_CASE-C2-SM sync[8B5]  C4612 CAP_603 sync[8C6]  C4613 CAP_P_CASE-C2-SM sync[8C5]  C4650 CAP_603 sync[8B3]  C4651 CAP_603 sync[8A3]  C4660 CAP_603 sync[8D3]  C4661 CAP_603 sync[8C3]  C5801 CAP_402 sync[9C6]  C5802 CAP_402 sync[9C5]  C5803 CAP_402 sync[9D5]  C5804 CAP_402 sync[9B5]  C5805 CAP_402 sync[9A4]  C6900 CAP_805 sync[10D7]  C6901 CAP_805 sync[10D7]  C6903 CAP_402 sync[10D7]  C6904 CAP_603 sync[10D6]  C6905 CAP_603 sync[10D4]  C6906 CAP_402 sync[10C2]  C6907 CAP_402 sync[10B1]  C7600 CAP_603 sync[11D2]  C7601 CAP_805-2 sync[11C2]  C7602 CAP_P_CASE-C2-SM sync[11C1]  C7603 CAP_402 sync[11C3]  C7610 CAP_402 sync[11A7]  C7620 CAP_603 sync[11C6]  C7621 CAP_402 sync[11C7]  C7622 CAP_603 sync[11B5]  C7623 CAP_603 sync[11B5]  C7624 CAP_402 sync[11B5]  C7625 CAP_P_CASE-D2-LF sync[11D4]  C7650 CAP_603 sync[11B2]  C7651 CAP_603 sync[11B2]  C7652 CAP_P_CASE-C2-SM sync[11B1]  C7653 CAP_402 sync[11B3]  C7660 CAP_402 sync[11A3]  D4600 DIODE_SCHOT_3P_A_SC-75 sync[8A3]  D4610 DIODE_SCHOT_3P_A_SC-75 sync[8C4]  D6900 DIODE_SCHOT_3P_A_SC-75 sync[10C7]  F6900 FUSE_1206 sync[10D5]  FL3600 FILTER_4P_1210-4SM1 sync[7C3]  FL3601 FILTER_4P_1210-4SM1 sync[7B3]  J3400 CON_F52RT_D2MT_SM_F-ST-SM sync[5C5]  J3500 CON_F26RT_S2MT_SM_M5_9_F-RT-SM sync[6D2]  J3600 CON_F80ST_D4MT_SM_F-ST-SM sync[7C4]  J4600 CON_F4RT_USB_S2MT_TH_F-RT-TH-USB-LFT sync[8B2]  J4610 CON_F4RT_USB_S2MT_TH_F-RT-TH-USB-LFT sync[8C2]  J6900 CON_F5RT_S2MT_TH3_F-RT-TH-MG3 sync[10D8]  J9615 CON_M8RT_S_SM_M-RT-SM sync[12C5]  L3400 FILTER_4P_1210-4SM1 sync[5B2]  L4600 FILTER_4P_1210-4SM1 sync[8B4]  L4601 IND_0603 sync[8B4]  L4610 FILTER_4P_1210-4SM1 sync[8C4]  L4611 IND_0603 sync[8D4]  L4650 IND_0603 sync[8A4]  L4660 IND_0603 sync[8C4]  L6900 FILTER_4P_SM sync[10D6]  L6901 IND_SM-1 sync[10D6]  L7600 IND_IHLP sync[11C2]  L7650 IND_IHLP sync[11B2]  PDS801 PHOTODIODE_2P_TH-WTH-SPCR sync[9C6]  Q3560 TRA_2N7002_SOT23-LF sync[6B3]  Q5801 TRA_2N7002_SOT23-LF sync[9C5]  Q6900 TRA_2N7002DW_SOT-363 sync[10C1 10C3]  Q6901 TRA_2N7002DW_SOT-363 sync[10C1 10C2]  Q6909 TRA_TP0610_SOT23-3 sync[10D2]  Q7600 TRA_FDM6296_MICROFET sync[11C3]  Q7601 TRA_FDM6296_MICROFET sync[11C3]  Q7610 TRA_IRF7707_TSSOP sync[11A7]  Q7650 TRA_S17212DN_PWRPK-1 212-8 sync[11B3 11B3]  Q7660 TRA_IRF7707_TSSOP sync[11A3]  R3500 RES_402 sync[6C6]  R3560 RES_402 sync[6B3]  R3561 RES_402 sync[6B3]  R3570 RES_402 sync[6B2]  R3571 RES_402 sync[6B3]  R3600 RES_402 sync[7B4]  R5801 RES_402 sync[9C6]  R5802 RES_402 sync[9C6]  R5803 RES_402 sync[9C5]  R5804 RES_402 sync[9C5]  R5805 RES_402 sync[9C5]  R5806 RES_402 sync[9C4]  R5807 RES_402 sync[9C4]  R6900 RES_402 sync[10C2]</p>																																																																																																																																													
C			<p>U3551 MC74VHC1G00_SC70-5 sync[6A6]  U3560 MC74VHC1G00_SC70-5 sync[6B2]  U4600 SWI_TPS2042B_MSOP sync[8B6]  U5801 OPAMP_MAX4236EUITT_SO sync[9C5]  U5802 TMP106_WCSP-6 sync[9B5]  U6990 COMPARATOR_LM397_SOT23-5 sync[10C4]  U7600 TPS51120_ILP sync[11C6]  XW7600 SHORT_SM sync[11A4]  XW7601 SHORT_SM sync[11A7]  XW7602 SHORT_SM sync[11A7]  XW7603 SHORT_SM sync[11A7]  XW7604 SHORT_SM sync[11A7]  XW7605 SHORT_SM sync[11A7]  XW7606 SHORT_SM sync[11A7]  XW7607 SHORT_SM sync[11B6]  XW7608 SHORT_SM sync[11B6]  XW7609 SHORT_SM sync[11A2]  XW7610 SHORT_SM sync[11A2]  ZH0801 MTGSOLE sync[4A8]  ZH0802 MTGSOLE sync[4A8]  ZH0803 MTGSOLE sync[4A8]  ZH0804 MTGSOLE sync[4A8]</p>																																																																																																																																											
B			<p>L3400 FILTER_4P_1210-4SM1 sync[5B2]  L4600 FILTER_4P_1210-4SM1 sync[8B4]  L4601 IND_0603 sync[8B4]  L4610 FILTER_4P_1210-4SM1 sync[8C4]  L4611 IND_0603 sync[8D4]  L4650 IND_0603 sync[8A4]  L4660 IND_0603 sync[8C4]  L6900 FILTER_4P_SM sync[10D6]  L6901 IND_SM-1 sync[10D6]  L7600 IND_IHLP sync[11C2]  L7650 IND_IHLP sync[11B2]  PDS801 PHOTODIODE_2P_TH-WTH-SPCR sync[9C6]  Q3560 TRA_2N7002_SOT23-LF sync[6B3]  Q5801 TRA_2N7002_SOT23-LF sync[9C5]  Q6900 TRA_2N7002DW_SOT-363 sync[10C1 10C3]  Q6901 TRA_2N7002DW_SOT-363 sync[10C1 10C2]  Q6909 TRA_TP0610_SOT23-3 sync[10D2]  Q7600 TRA_FDM6296_MICROFET sync[11C3]  Q7601 TRA_FDM6296_MICROFET sync[11C3]  Q7610 TRA_IRF7707_TSSOP sync[11A7]  Q7650 TRA_S17212DN_PWRPK-1 212-8 sync[11B3 11B3]  Q7660 TRA_IRF7707_TSSOP sync[11A3]  R3500 RES_402 sync[6C6]  R3560 RES_402 sync[6B3]  R3561 RES_402 sync[6B3]  R3570 RES_402 sync[6B2]  R3571 RES_402 sync[6B3]  R3600 RES_402 sync[7B4]  R5801 RES_402 sync[9C6]  R5802 RES_402 sync[9C6]  R5803 RES_402 sync[9C5]  R5804 RES_402 sync[9C5]  R5805 RES_402 sync[9C5]  R5806 RES_402 sync[9C4]  R5807 RES_402 sync[9C4]  R6900 RES_402 sync[10C2]</p>																																																																																																																																											
A			<p>U3551 MC74VHC1G00_SC70-5 sync[6A6]  U3560 MC74VHC1G00_SC70-5 sync[6B2]  U4600 SWI_TPS2042B_MSOP sync[8B6]  U5801 OPAMP_MAX4236EUITT_SO sync[9C5]  U5802 TMP106_WCSP-6 sync[9B5]  U6990 COMPARATOR_LM397_SOT23-5 sync[10C4]  U7600 TPS51120_ILP sync[11C6]  XW7600 SHORT_SM sync[11A4]  XW7601 SHORT_SM sync[11A7]  XW7602 SHORT_SM sync[11A7]  XW7603 SHORT_SM sync[11A7]  XW7604 SHORT_SM sync[11A7]  XW7605 SHORT_SM sync[11A7]  XW7606 SHORT_SM sync[11A7]  XW7607 SHORT_SM sync[11B6]  XW7608 SHORT_SM sync[11B6]  XW7609 SHORT_SM sync[11A2]  XW7610 SHORT_SM sync[11A2]  ZH0801 MTGSOLE sync[4A8]  ZH0802 MTGSOLE sync[4A8]  ZH0803 MTGSOLE sync[4A8]  ZH0804 MTGSOLE sync[4A8]</p>																																																																																																																																											
	8	7	6	5	4	3	2	1																																																																																																																																						

# CHANGE LIST

11/27/06:

FIRST M76 LIMA SCHEMATIC CHECK-IN  
FUTURE UPDATES LOGGED IN PERFORCE

D

D

C

C

B

B


A

A

www.laptop-schematics.com

www.laptop-schematics.com

HISTORY: NON-AUDIO	
SYNC_MASTER=(MASTER)	SYNC_DATE=(MASTER)
NOTICE OF PROPRIETARY PROPERTY	
THE INFORMATION CONTAINED HEREIN IS THE PROPRIETARY PROPERTY OF APPLE COMPUTER, INC. THE POSSESSOR AGREES TO THE FOLLOWING	
I TO MAINTAIN THE DOCUMENT IN CONFIDENCE	
II NOT TO REPRODUCE OR COPY IT	
III NOT TO REVEAL OR PUBLISH IN WHOLE OR PART	


 APPLE COMPUTER INC.	SIZE	DRAWING NUMBER	REV.
	D	051-7268	A.0.0
SCALE	SHT	OF	
NONE	21	24	

CHANGE LIST

MAY 03 2006: FIRST RELEASE  
MAY 04 2006: REMOVED U7350  
MAY 10 2006: CONNECT XW7200.1 TO GND AUDIO\_PWR INSTEAD OF 5V. REPLACED C7301/02/04/52/53/55 WITH ZAP DIODES  
MAY 25 2006: REPLACED R6801, R7000, R7200 WITH 155S0138. CHANGED C6803 TO 22UF ROHS COMPLIANT CAP  
MAY 31 2006: CHANGE U6800 TO 353S1458, DC SCREENED VERSION. CHANGED NETNAME "=GND\_AUDIO\_PWR" TO "=GND\_AUDIO\_AMP"  
JUNE 1 2006: CHANGED NETNAME "=PP5V\_S0\_AUDIO\_PWR" TO "=PP5V\_S0\_AUDIO\_AMP"  
JUNE 1 2006: ADDED NETNAMES TO NC PINS ON U6800. ADDED "NO\_TEST=TRUE" ATTRIBUTES TO NC NETS.  
JUNE 28 2006: ADDED CRITICAL TO U6800. REMOVE "?" FROM BOMOPTION TABLE

www.laptop-schematics.com

NOTICE OF PROPRIETARY PROPERTY  
THE INFORMATION CONTAINED HEREIN IS THE PROPRIETARY PROPERTY OF APPLE COMPUTER, INC. THE POSSESSOR AGREES TO THE FOLLOWING  
I TO MAINTAIN THE DOCUMENT IN CONFIDENCE  
II NOT TO REPRODUCE OR COPY IT  
III NOT TO REVEAL OR PUBLISH IN WHOLE OR PART

 APPLE COMPUTER INC.	SIZE	DRAWING NUMBER	REV.
	D	051-7268	A.0.0
SCALE	SHEET		OF
NONE	22		24

www.laptop-schematics.com



