

8

7

6

5

4

3

2

1

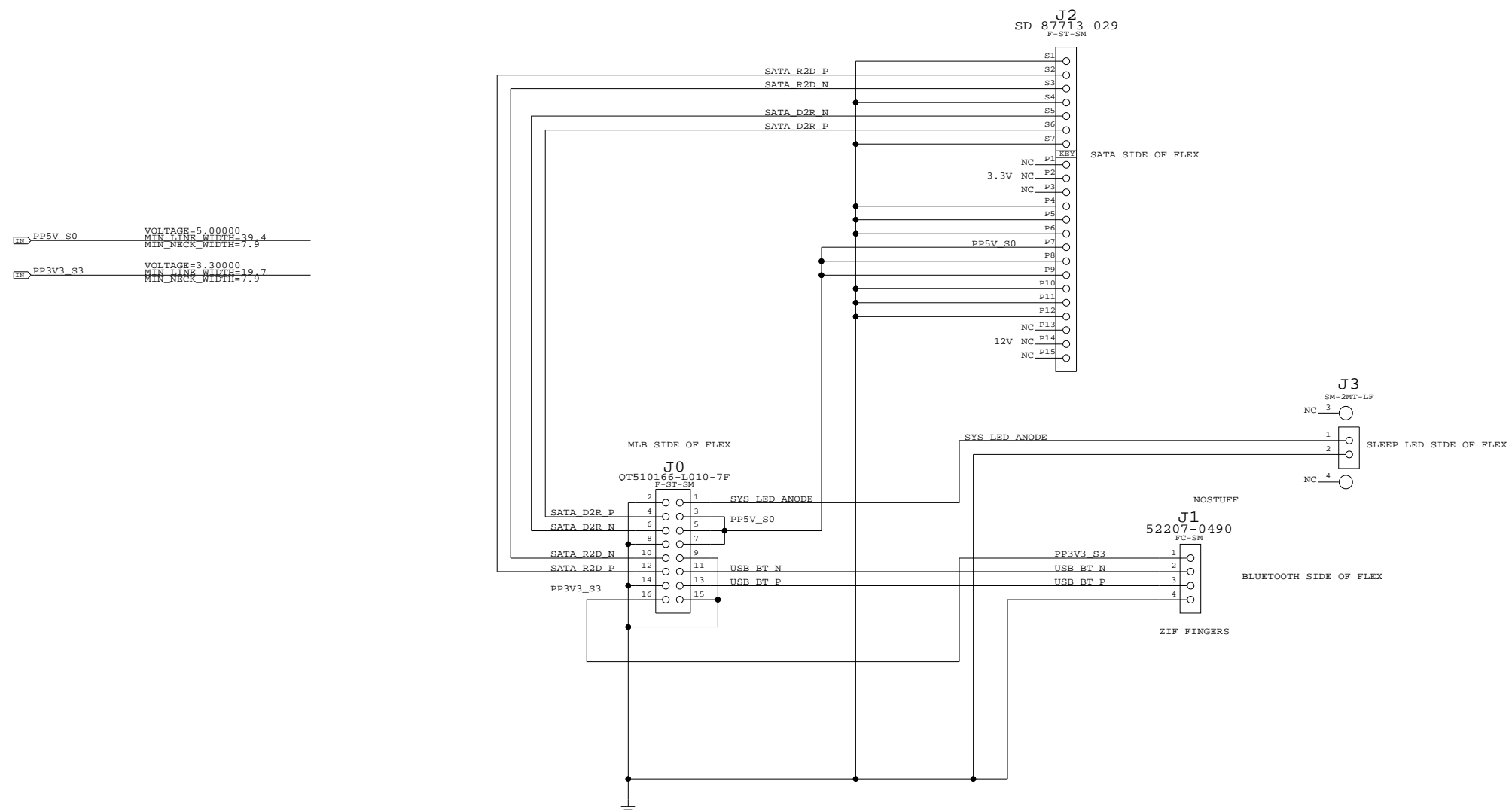
- 1. ALL RESISTANCE VALUES ARE IN OHMS, 0.1 WATT +/- 5%.
- 2. ALL CAPACITANCE VALUES ARE IN MICROFARADS.
- 3. ALL CRYSTALS & OSCILLATOR VALUES ARE IN HERTZ.

REV	ZONE	ECN	DESCRIPTION OF CHANGE	CK APPD	ENG APPD
04		398188	ENGINEERING RELEASED	DATE	DATE
				09/02/05	?

# SCHEM, FLEX, HDD/ BT, M1

## EVT

### 09/1/05



PART#	QTY	DESCRIPTION	REFERENCE DESIGNATOR(S)	CRITICAL	BOM OPTION
051-6959	1	SCHEM, FLEX, HDD/ BT, M1	SCH1	?	?
821-0403	1	PCBP, FLEX, SATA/ BT, M1	PCB1	?	?
632-0368	1	PCBA, FLEX, HDD/ BT, M1	BOM1	?	OMIT

DIMENSIONS ARE IN MILLIMETERS		METRIC		Apple Computer Inc.	
XX :	_____	DRAPTER	DESIGN CK	NOTICE OF PROPRIETARY PROPERTY THE INFORMATION CONTAINED HEREIN IS THE PROPRIETARY PROPERTY OF APPLE COMPUTER, INC. THE POSSESSOR AGREES TO THE FOLLOWING: I TO MAINTAIN THE DOCUMENT IN CONFIDENCE II NOT TO REPRODUCE OR COPY IT III NOT TO REVEAL OR PUBLISH IN WHOLE OR PART	
X.XX :	_____	ENG APPD	MFG APPD		
X.XXX :	_____	QA APPD	DESIGNER		
ANGLES :	_____	RELEASE	SCALE		
DO NOT SCALE DRAWING		NONE		TITLE	
THIRD ANGLE PROJECTION		MATERIAL/FINISH NOTED AS APPLICABLE		SIZE D	
				DRAWING NUMBER 051-6959 REV. 04	
				SHT 1 OF 1	

www.laptop-schematics.com