

1. ALL RESISTANCE VALUES ARE IN OHMS, 0.1 WATT +/- 5%.  
 2. ALL CAPACITANCE VALUES ARE IN MICROFARADS.  
 3. ALL CRYSTALS & OSCILLATOR VALUES ARE IN HERTZ.


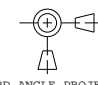
REV	ZONE	ECN	DESCRIPTION OF CHANGE	CK APPD DATE	ENG APPD DATE
?		?	?	?	?

# Q16 INTERFACE BOARD

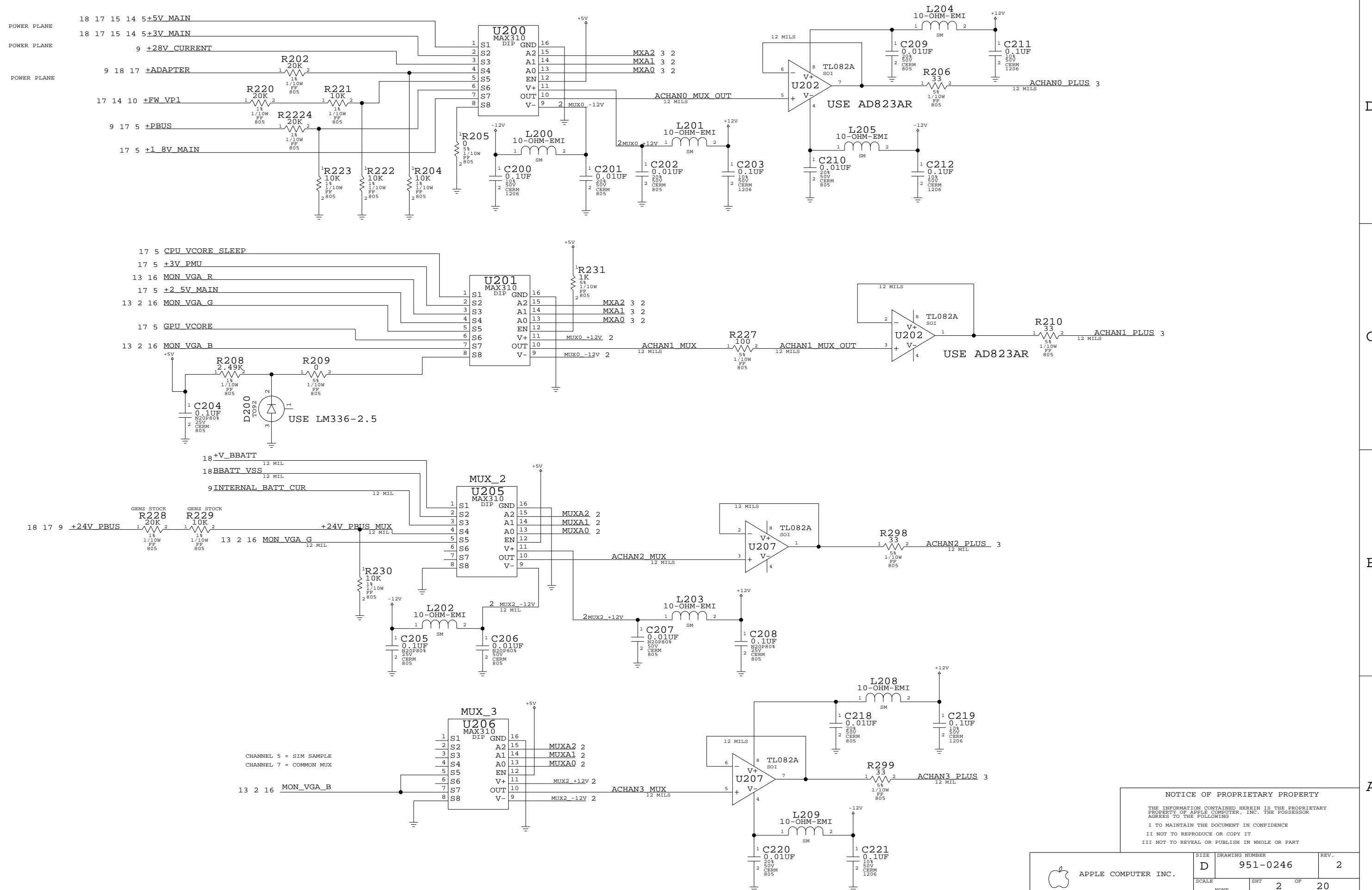
920-0120-03 (PCB)  
 951-0246-03 (SCHEMATICS)

12/21/2002 REV 1 TEF  
 3/20/2003 REV 2 TEF  
 6/23/2003 REV 3 WF  
 7/17/2003 REV 4 WF

PAGE	CONTENTS
1	TITLE PAGE AND CONTENTS
2	ANALOG MEASUREMENTS, MUX'S FOR 6111E
3	6111E, DSA, KEYBOARD AND SCAN CONNECTORS
4	POWER-IN FOR INTERFACE, DIP SWITCHES FOR FIXTURE
5	DEBUG CIRCUIT FOR INTERFACE BOARD
6	VOLTAGE MARGIN CIRCUIT
7	BATTERY AND SERIAL INPUT INTERFACE
8	POR/PMU SWITCHES
9	V-IN AND BACK-UP BATTERY CURRENT SENSING CIRCUIT
10	FIREWIRE-A SWITCHING CONTROL CIRCUIT
11	FIREWIRE-B SWITCHING CONTROL CIRCUIT
12	ETHERNET SWITCHING CONTROL CIRCUIT
13	DVI AND SVIDEO CONNECTOR. BUFFERS FOR SVGA IN DVI CONNECTOR
14	SOUND INTERFACE CIRCUIT
15	BATTERY BACK-UP, BLUETOOTH, USB AND FAN CONNECTORS. FIREWIRE-A LOAD CIRCUITRY
16	WIRELESS, DVD, LVDS, MODEM, KEYBOARD, TRACKPAD, AND BACKLIGHT CONNECTORS
17	CHEESE BOX/SVGA SWITCH CONTROL AND EXTERNAL VGA CONNECTORS
18	TEST POINTS
19	TEST POINTS

DIMENSIONS ARE IN MILLIMETERS		METRIC		 Apple Computer Inc.	
XX : _____				NOTICE OF PROPRIETARY PROPERTY THE INFORMATION CONTAINED HEREIN IS THE PROPRIETARY PROPERTY OF APPLE COMPUTER, INC. THE POSSESSOR AGREES TO THE FOLLOWING I TO MAINTAIN THE DOCUMENT IN CONFIDENCE II NOT TO REPRODUCE OR COPY IT III NOT TO REVEAL OR PUBLISH IN WHOLE OR PART	
X.XX : _____				TITLE	
X.XXX : _____				Q16 INTERFACE BOARD	
ANGLES : _____				DRAWING NUMBER 951-0246 REV. 2	
DO NOT SCALE DRAWING				SHT 1 OF 20	
 THIRD ANGLE PROJECTION		MATERIAL/FINISH NOTED AS APPLICABLE	SIZE D		

www.laptop-schematics.com

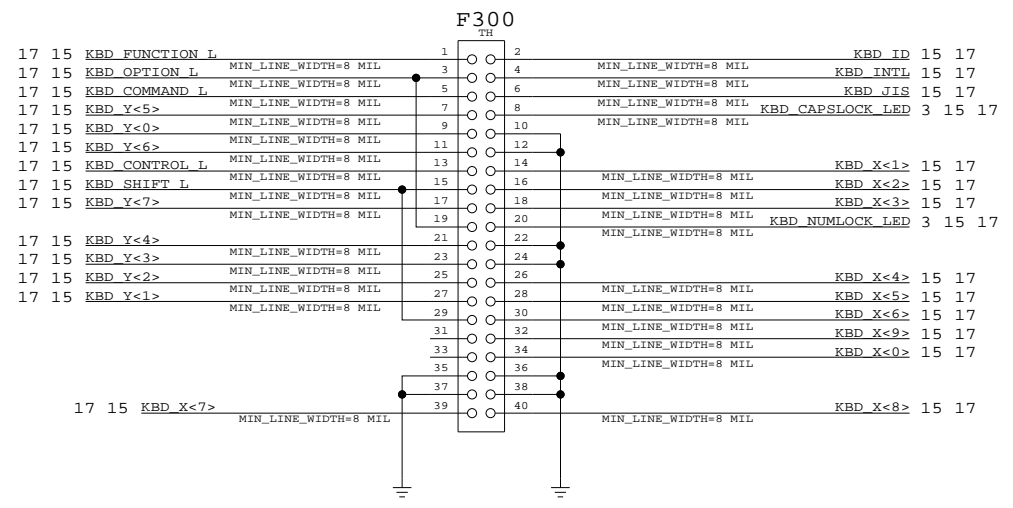


NOTICE OF PROPRIETARY PROPERTY  
 THE INFORMATION CONTAINED HEREIN IS THE PROPRIETARY PROPERTY OF APPLE COMPUTER, INC. THE POSSESSOR AGREES TO THE FOLLOWING  
 I TO MAINTAIN THE DOCUMENT IN CONFIDENCE  
 II NOT TO REPRODUCE OR COPY IT  
 III NOT TO REVEAL OR PUBLISH IN WHOLE OR PART

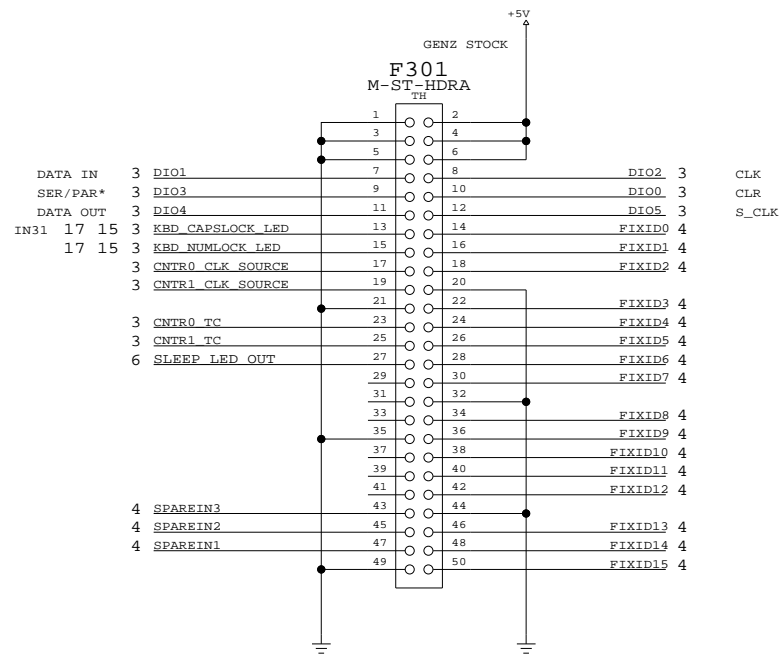
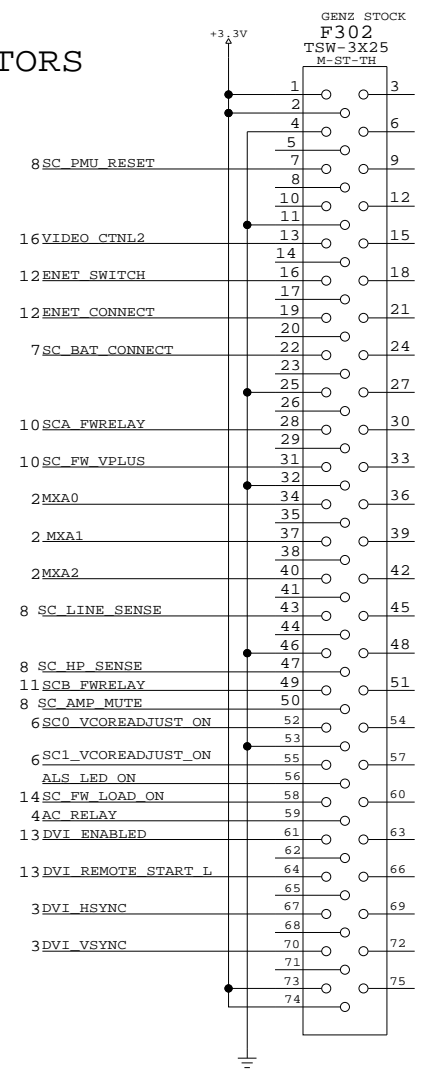
	SIZE	DRAWING NUMBER	REV.
	D	951-0246	2
SCALE	SHEET	OF	
NONE	2	20	

www.laptop-schematics.com

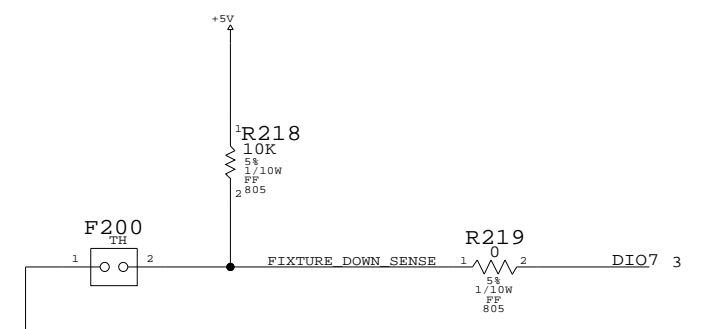
### KEYBOARD SIMULATOR CONNECTOR



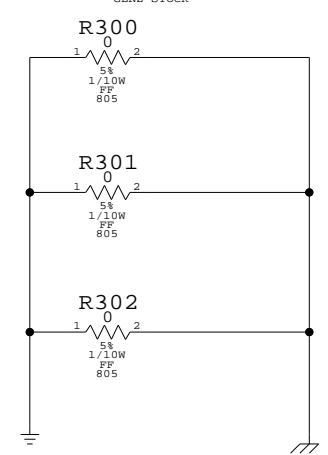
### SCAN CARD CONNECTORS



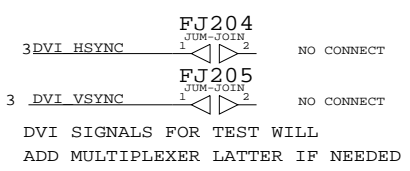
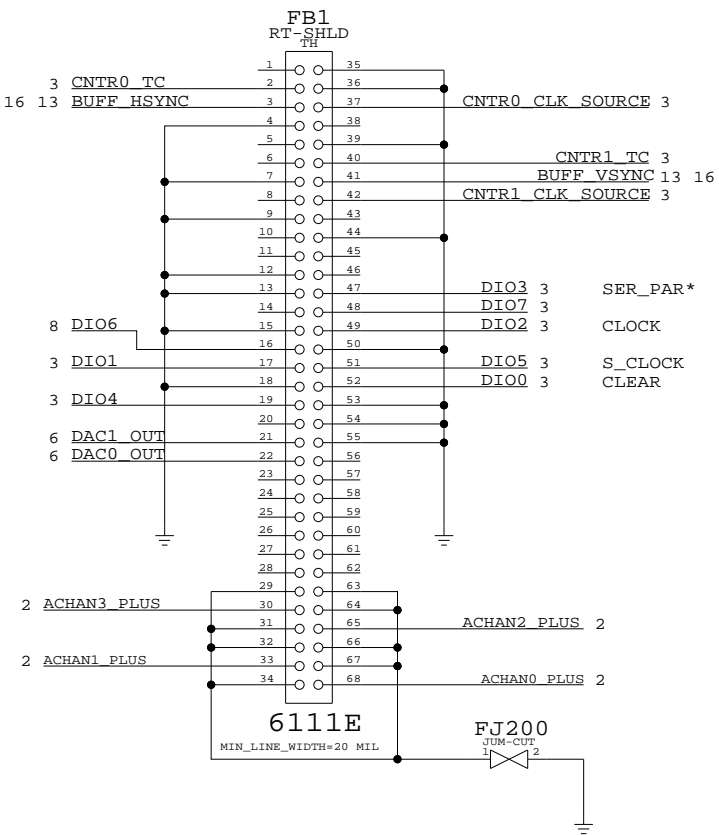
### FIXTURE DOWN SENSE



### SPREAD OUT ACROSS PCB



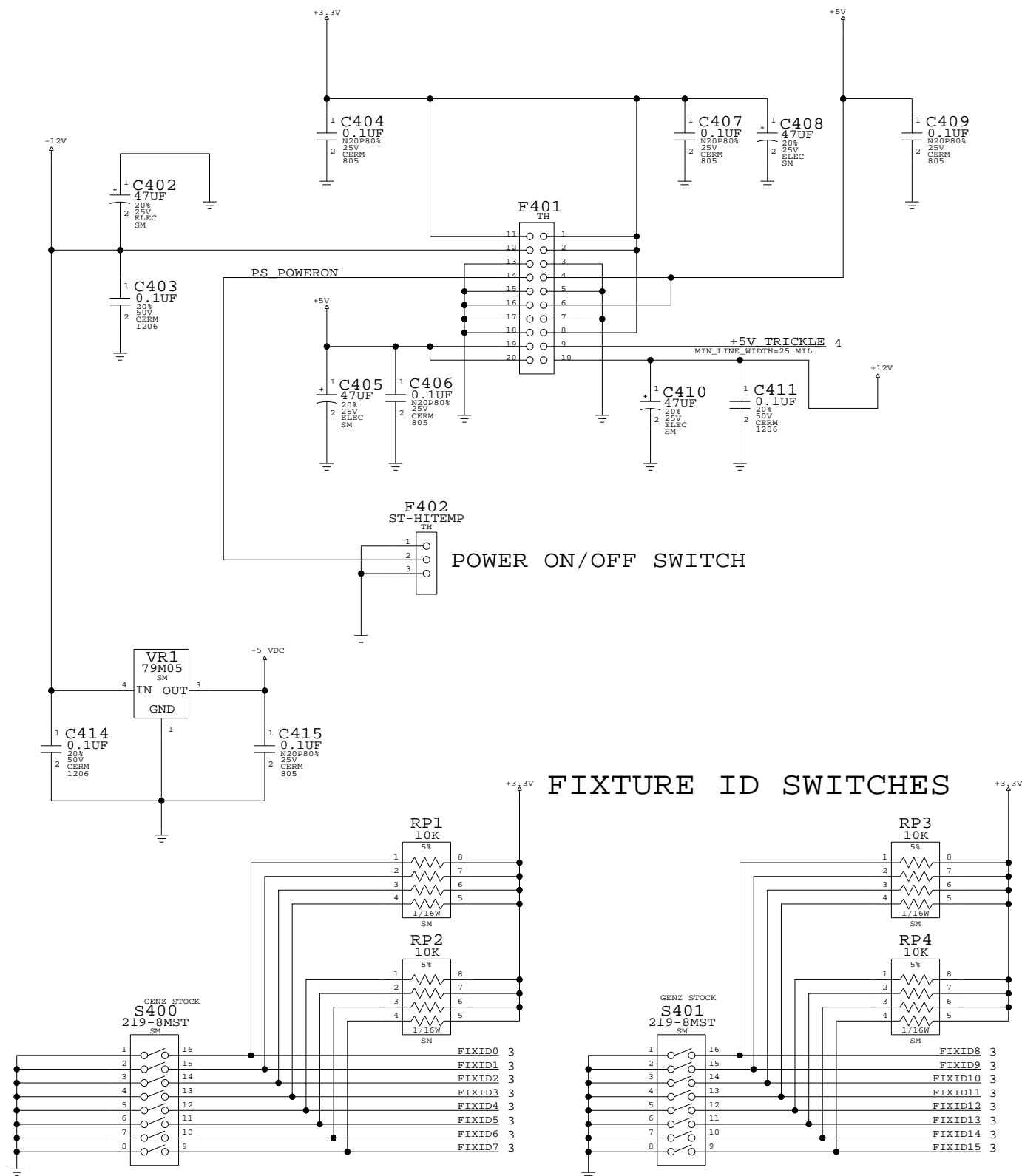
POR SIGNAL  
S-IN OF EPLD  
S-OUT OF EPLD



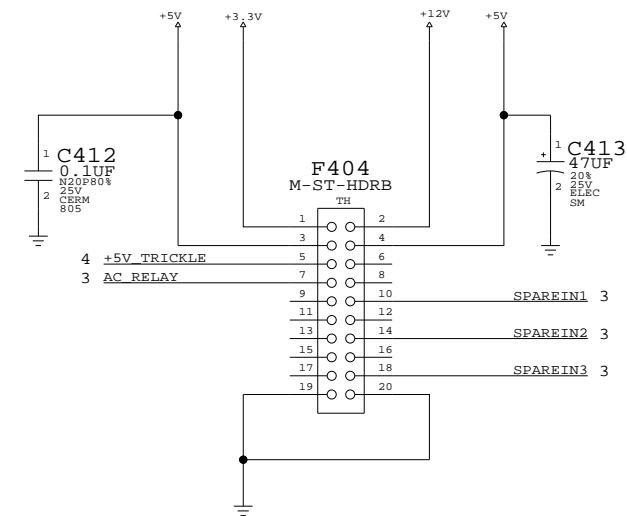
NOTICE OF PROPRIETARY PROPERTY  
THE INFORMATION CONTAINED HEREIN IS THE PROPRIETARY PROPERTY OF APPLE COMPUTER, INC. THE POSSESSOR AGREES TO THE FOLLOWING  
I TO MAINTAIN THE DOCUMENT IN CONFIDENCE  
II NOT TO REPRODUCE OR COPY IT  
III NOT TO REVEAL OR PUBLISH IN WHOLE OR PART

APPLE COMPUTER INC.	SIZE	DRAWING NUMBER	REV.
	D	951-0246	2
SCALE	SHT		OF
NONE	4		20

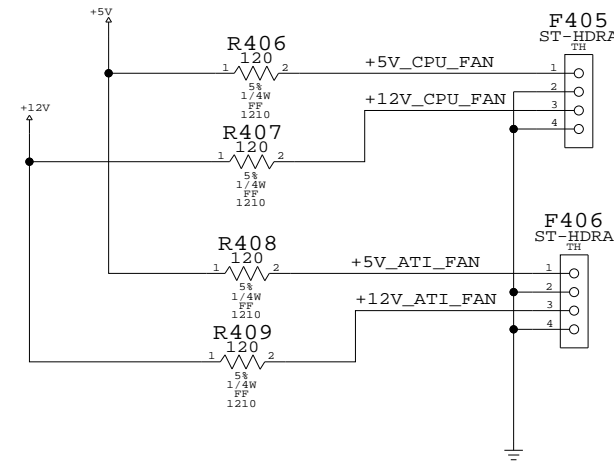
# INTERFACE BOARD POWER CONNECTOR



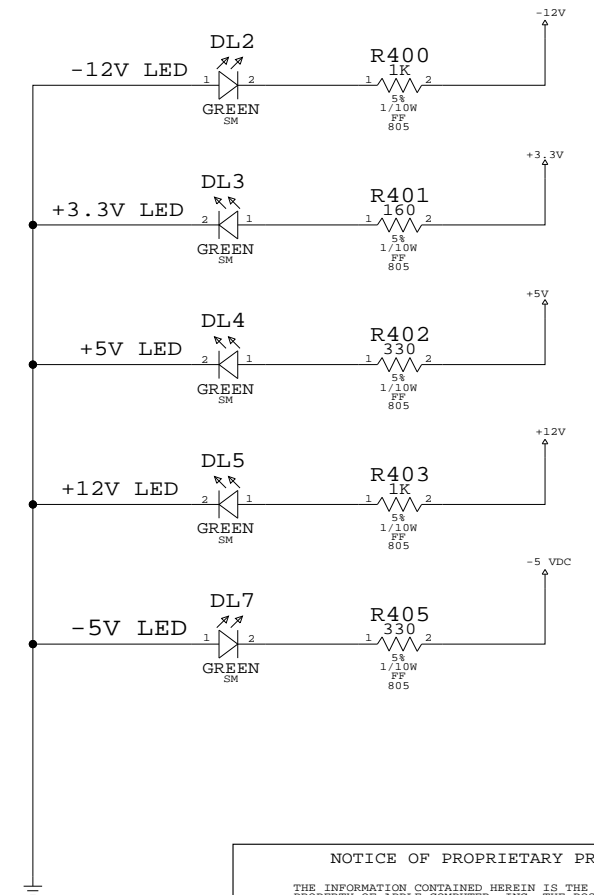
# FIXTURE CONTROL PORT



# GENZ FAN CONNECTORS



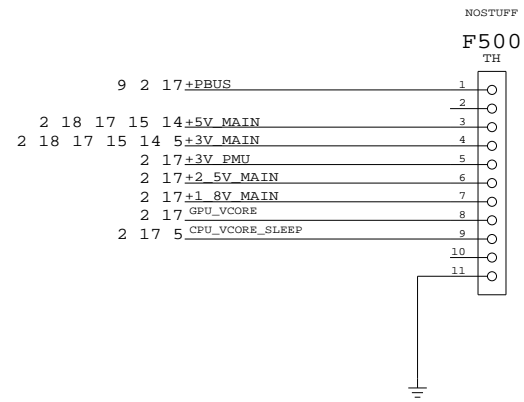
# FIXTURE POWER ON LEDs



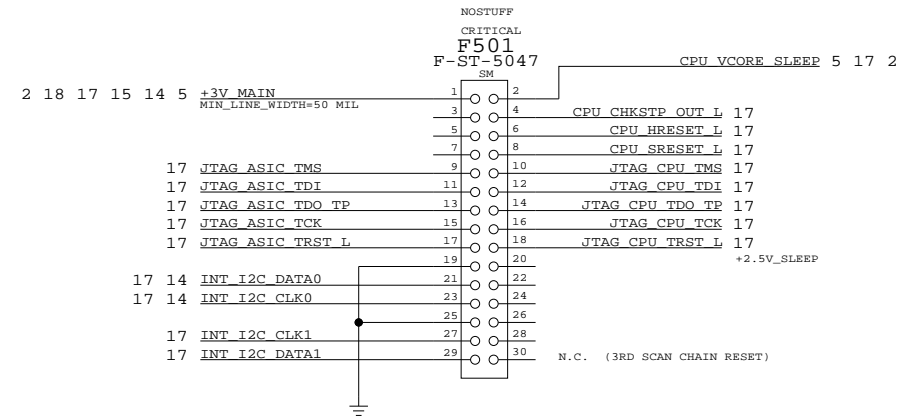
NOTICE OF PROPRIETARY PROPERTY  
 THE INFORMATION CONTAINED HEREIN IS THE PROPRIETARY PROPERTY OF APPLE COMPUTER, INC. THE POSSESSOR AGREES TO THE FOLLOWING  
 I TO MAINTAIN THE DOCUMENT IN CONFIDENCE  
 II NOT TO REPRODUCE OR COPY IT  
 III NOT TO REVEAL OR PUBLISH IN WHOLE OR PART

APPLE COMPUTER INC.	SIZE	DRAWING NUMBER	REV.
	D	951-0246	2
SCALE	SHT	OF	
NONE	5	20	

### POWER SUPPLY TEST PINS



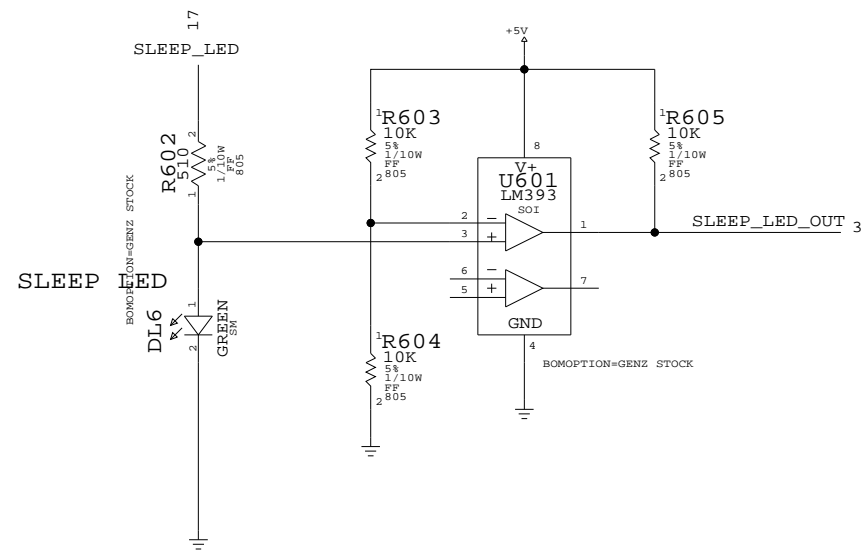
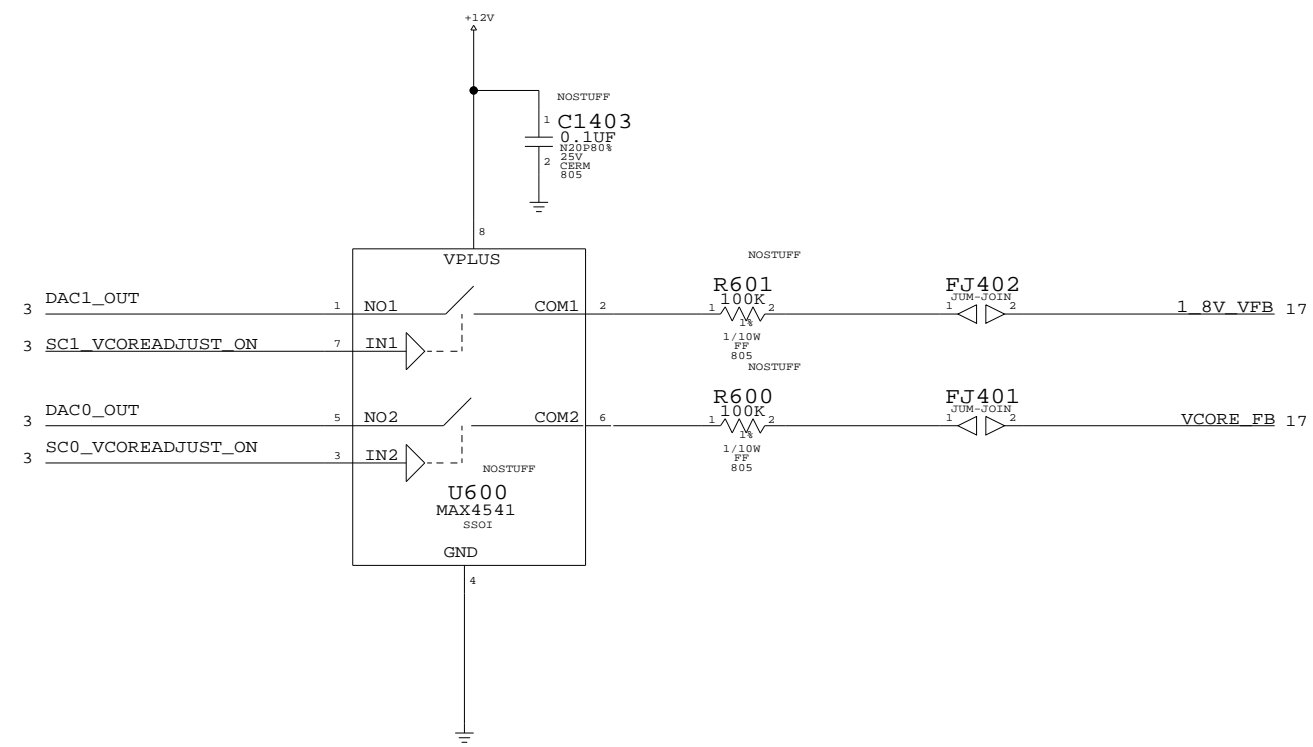
### JTAG AND I2C TEST CONNECTOR



NOTICE OF PROPRIETARY PROPERTY  
THE INFORMATION CONTAINED HEREIN IS THE PROPRIETARY PROPERTY OF APPLE COMPUTER, INC. THE POSSESSOR AGREES TO THE FOLLOWING  
I TO MAINTAIN THE DOCUMENT IN CONFIDENCE  
II NOT TO REPRODUCE OR COPY IT  
III NOT TO REVEAL OR PUBLISH IN WHOLE OR PART

	SIZE	DRAWING NUMBER	REV.
	D	951-0246	2
SCALE	SHT	OF	
NONE	6	20	

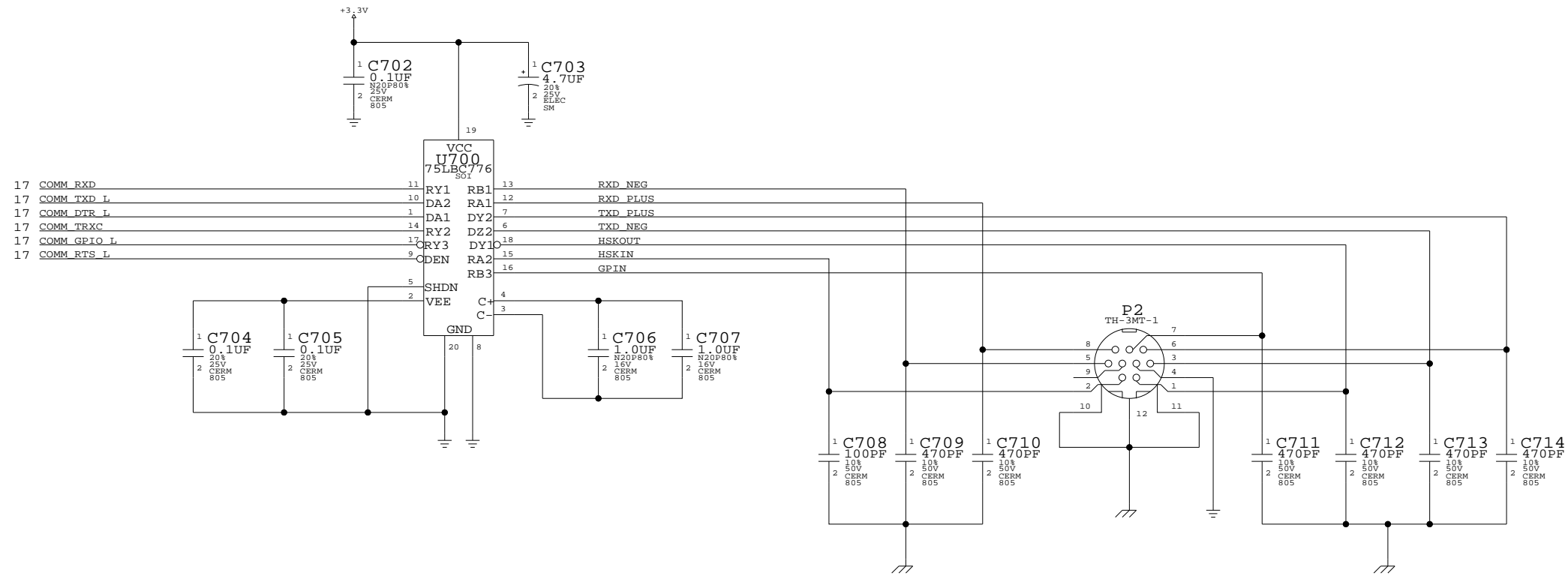
# VOLTAGE MARGIN CIRCUIT



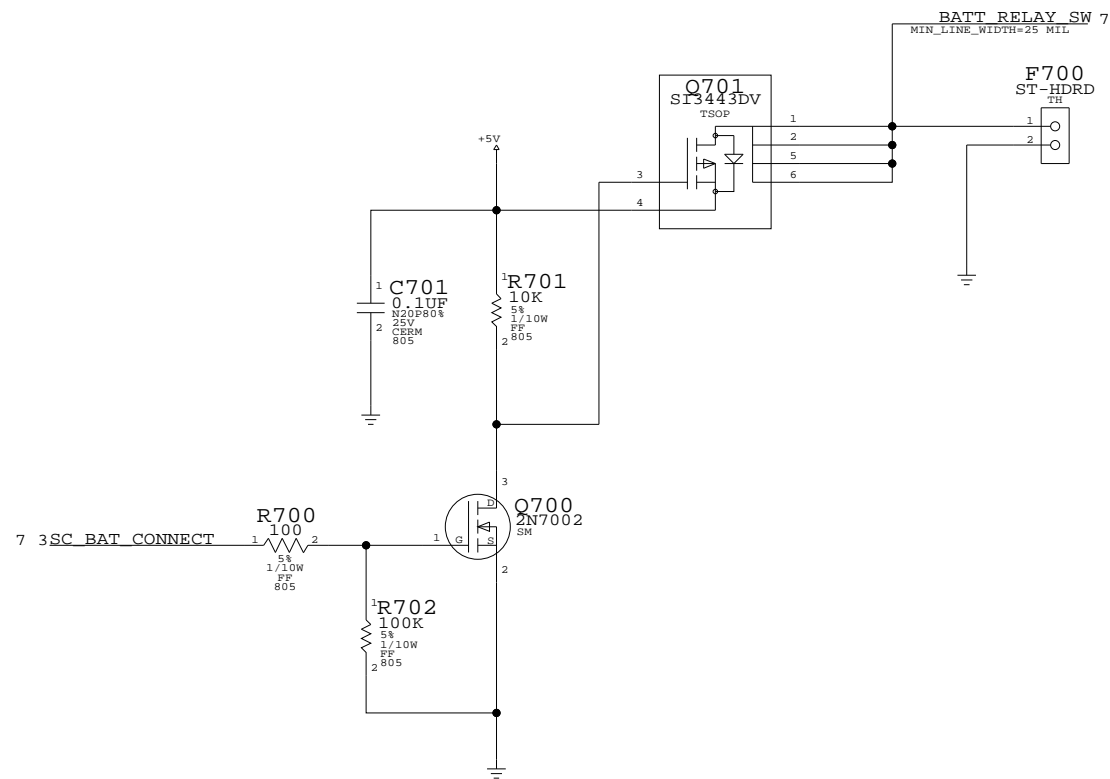
NOTICE OF PROPRIETARY PROPERTY  
 THE INFORMATION CONTAINED HEREIN IS THE PROPRIETARY  
 PROPERTY OF APPLE COMPUTER, INC. THE POSSESSOR  
 AGREES TO THE FOLLOWING  
 I TO MAINTAIN THE DOCUMENT IN CONFIDENCE  
 II NOT TO REPRODUCE OR COPY IT  
 III NOT TO REVEAL OR PUBLISH IN WHOLE OR PART

	SIZE	DRAWING NUMBER	REV.
	D	951-0246	2
SCALE	SHT	OF	
NONE	7	20	

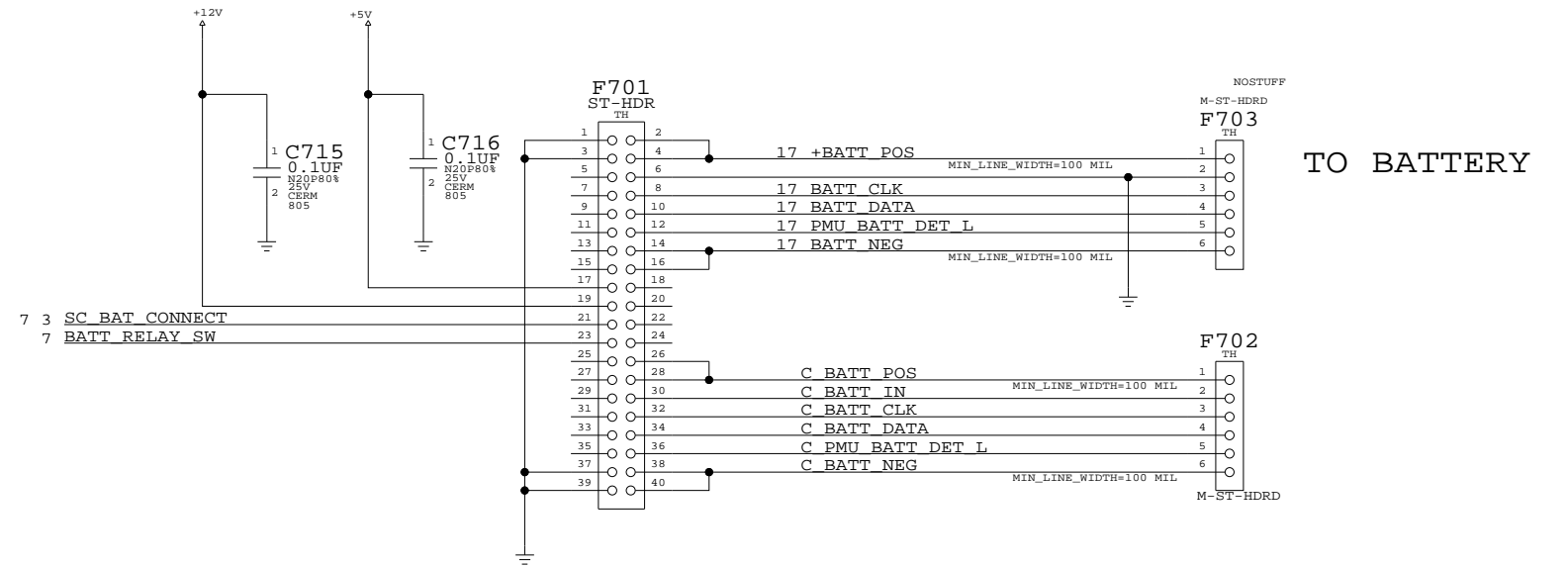
### SERIAL PORT INTERFACE



### BATTERY CONNECT/DISCONNECT



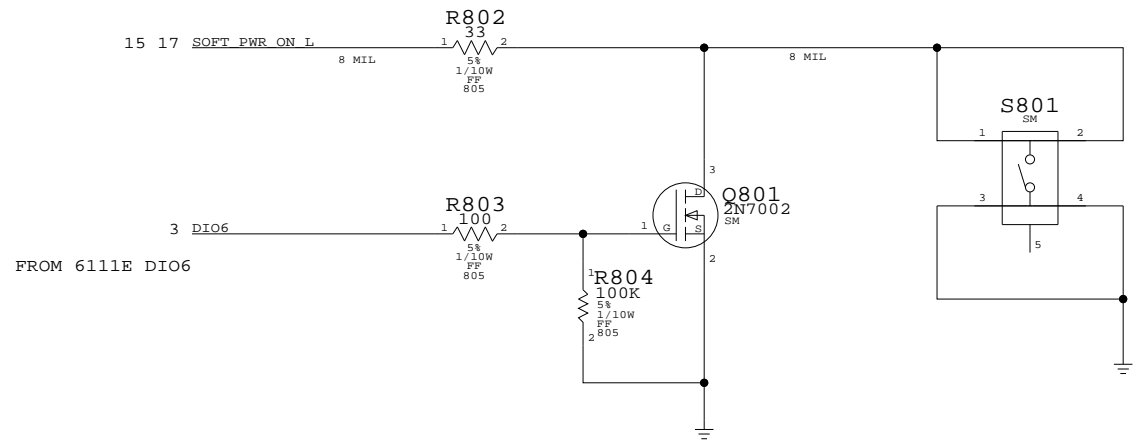
### NEW BATTERY RELAY BOARD CONNECTORS



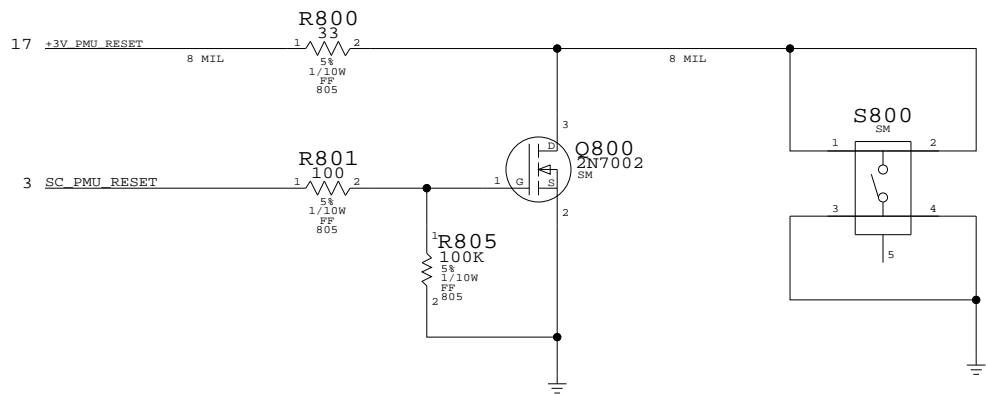
NOTICE OF PROPRIETARY PROPERTY  
 THE INFORMATION CONTAINED HEREIN IS THE PROPRIETARY PROPERTY OF APPLE COMPUTER, INC. THE POSSESSOR AGREES TO THE FOLLOWING  
 I TO MAINTAIN THE DOCUMENT IN CONFIDENCE  
 II NOT TO REPRODUCE OR COPY IT  
 III NOT TO REVEAL OR PUBLISH IN WHOLE OR PART

	SIZE	DRAWING NUMBER	REV.
	D	951-0246	2
SCALE	SHT	OF	
NONE	8	20	

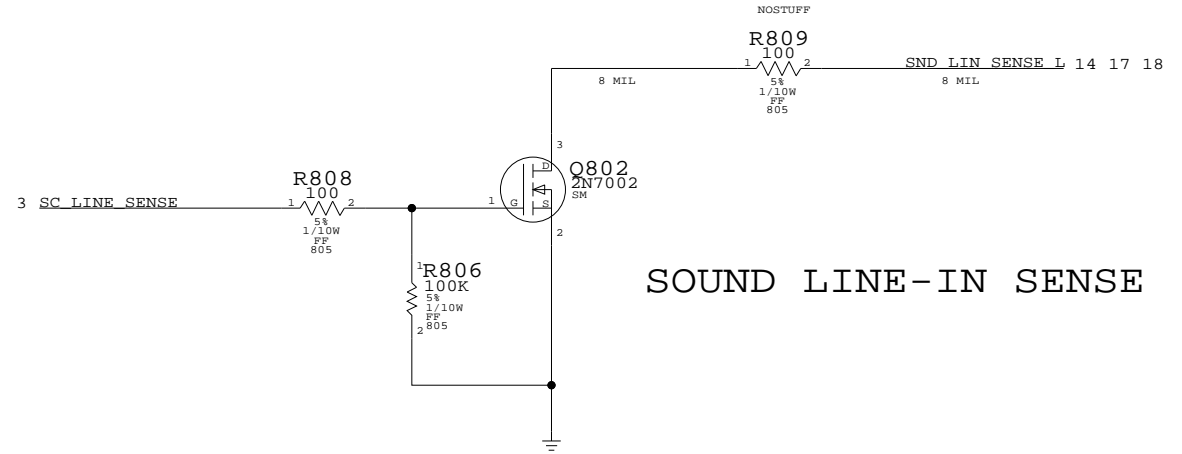
### UUT POR



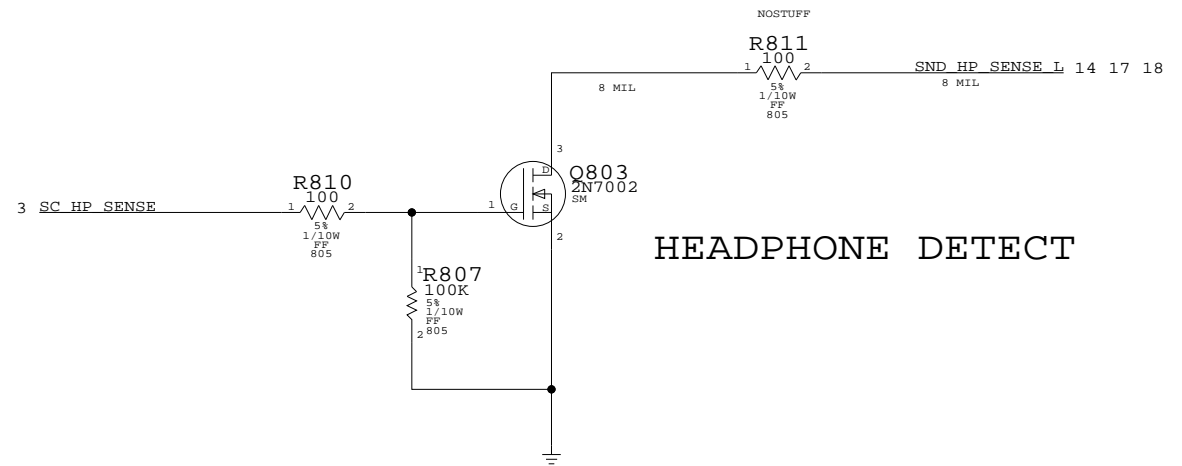
### UUT PMU RESET



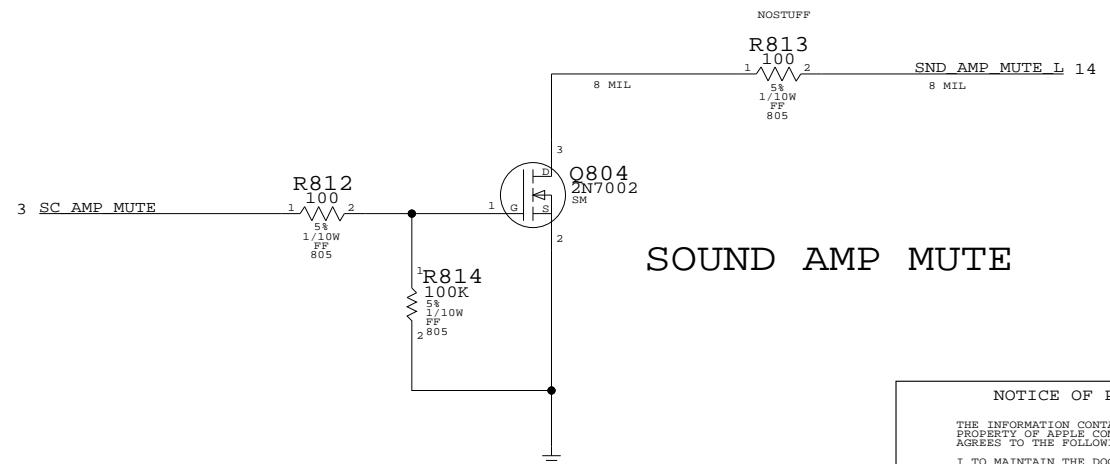
### SOUND LINE-IN SENSE



### HEADPHONE DETECT



### SOUND AMP MUTE



NOTICE OF PROPRIETARY PROPERTY  
 THE INFORMATION CONTAINED HEREIN IS THE PROPRIETARY PROPERTY OF APPLE COMPUTER, INC. THE POSSESSOR AGREES TO THE FOLLOWING  
 I TO MAINTAIN THE DOCUMENT IN CONFIDENCE  
 II NOT TO REPRODUCE OR COPY IT  
 III NOT TO REVEAL OR PUBLISH IN WHOLE OR PART

APPLE COMPUTER INC.	SIZE D	DRAWING NUMBER 951-0246	REV. 2
	SCALE NONE	SHEET 9 OF 20	

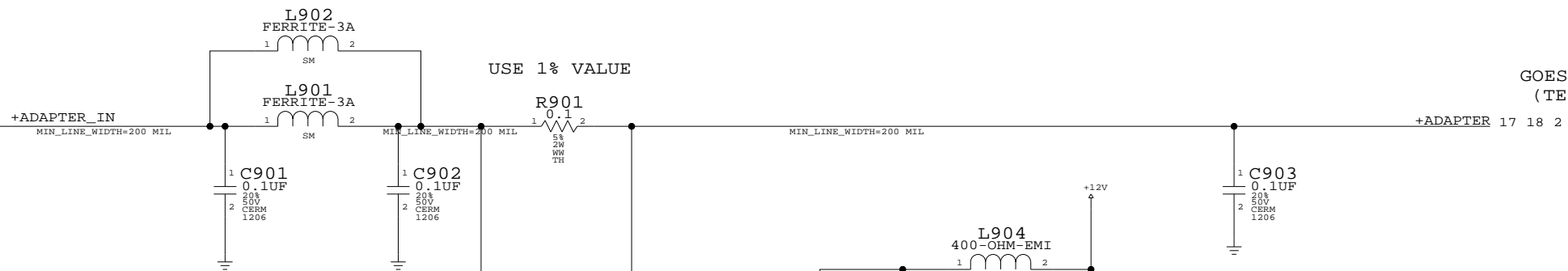


# POWER-IN CURRENT SENSE CIRCUIT

DC POWER INPUT  
FROM LIO BOARD

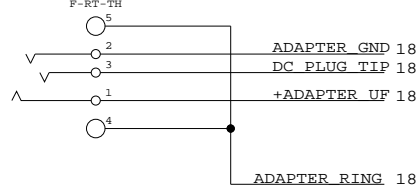
ENGINEERING STOCK

F920  
87438-0433  
M-RT-SM



MUST USE LIO BOARD BECAUSE DC-IN POWER JACK IS ON IT  
THIS DUPLICATES DC POWER JACK ON LIO BOARD

F901  
PJK13  
F-RT-TH



THIS NETS GO TO TP'S FOR LIO BOARD

VOUT, 1 VOLT=1 AMP

+28V CURRENT 2

VOUT, 1 VOLT=1 AMP

INTERNAL BATT CUR 2

BACKUP  
BATTERY

ENGINEERING STOCK

CRITICAL  
F900  
SM-2MT

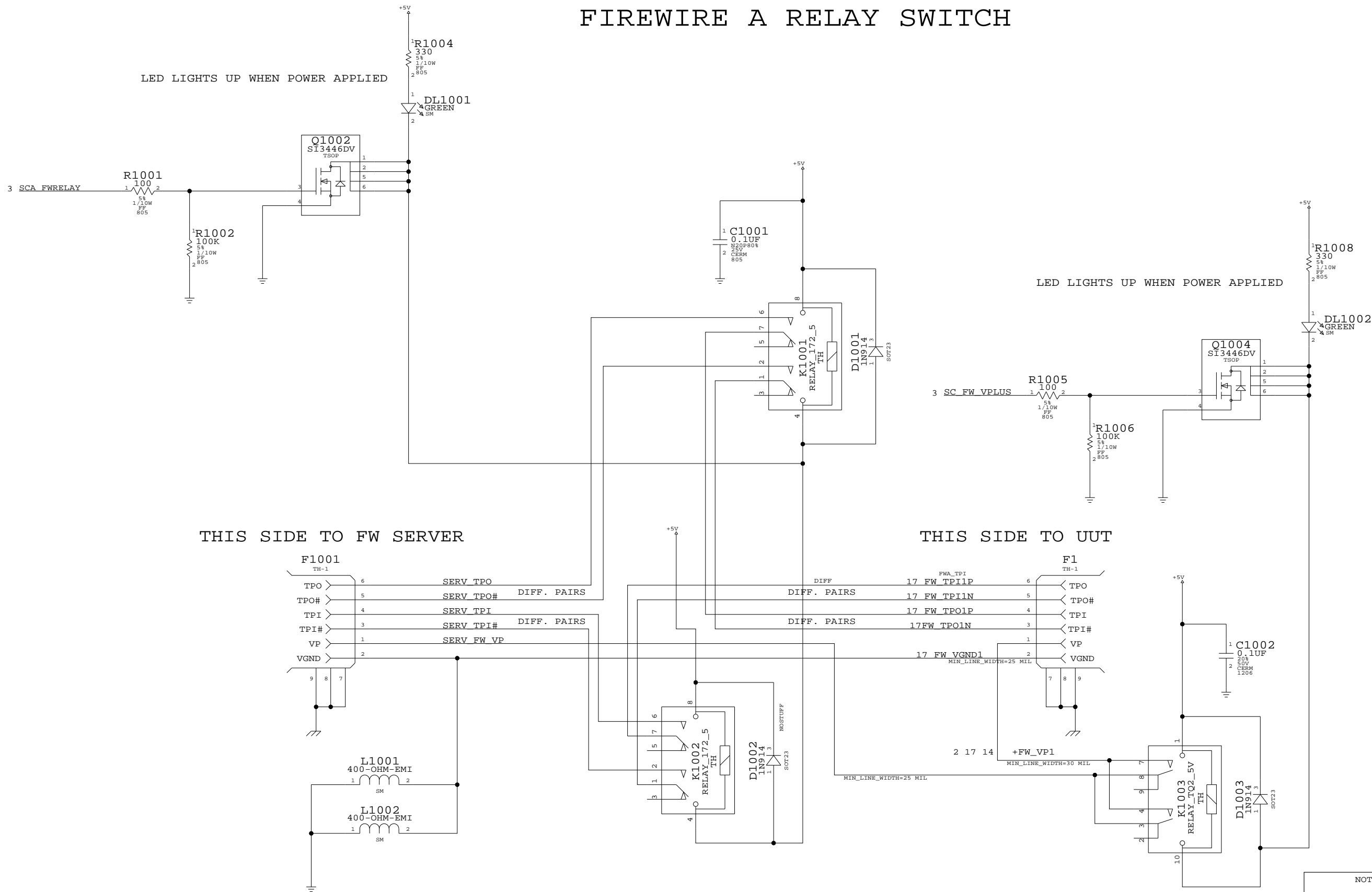


NOTICE OF PROPRIETARY PROPERTY  
THE INFORMATION CONTAINED HEREIN IS THE PROPRIETARY PROPERTY OF APPLE COMPUTER, INC. THE POSSESSOR AGREES TO THE FOLLOWING  
I TO MAINTAIN THE DOCUMENT IN CONFIDENCE  
II NOT TO REPRODUCE OR COPY IT  
III NOT TO REVEAL OR PUBLISH IN WHOLE OR PART

APPLE COMPUTER INC.	SIZE D	DRAWING NUMBER 951-0246	REV. 2
	SCALE NONE	SHEET 10 OF 20	

www.laptop-schematics.com

# FIREWIRE A RELAY SWITCH

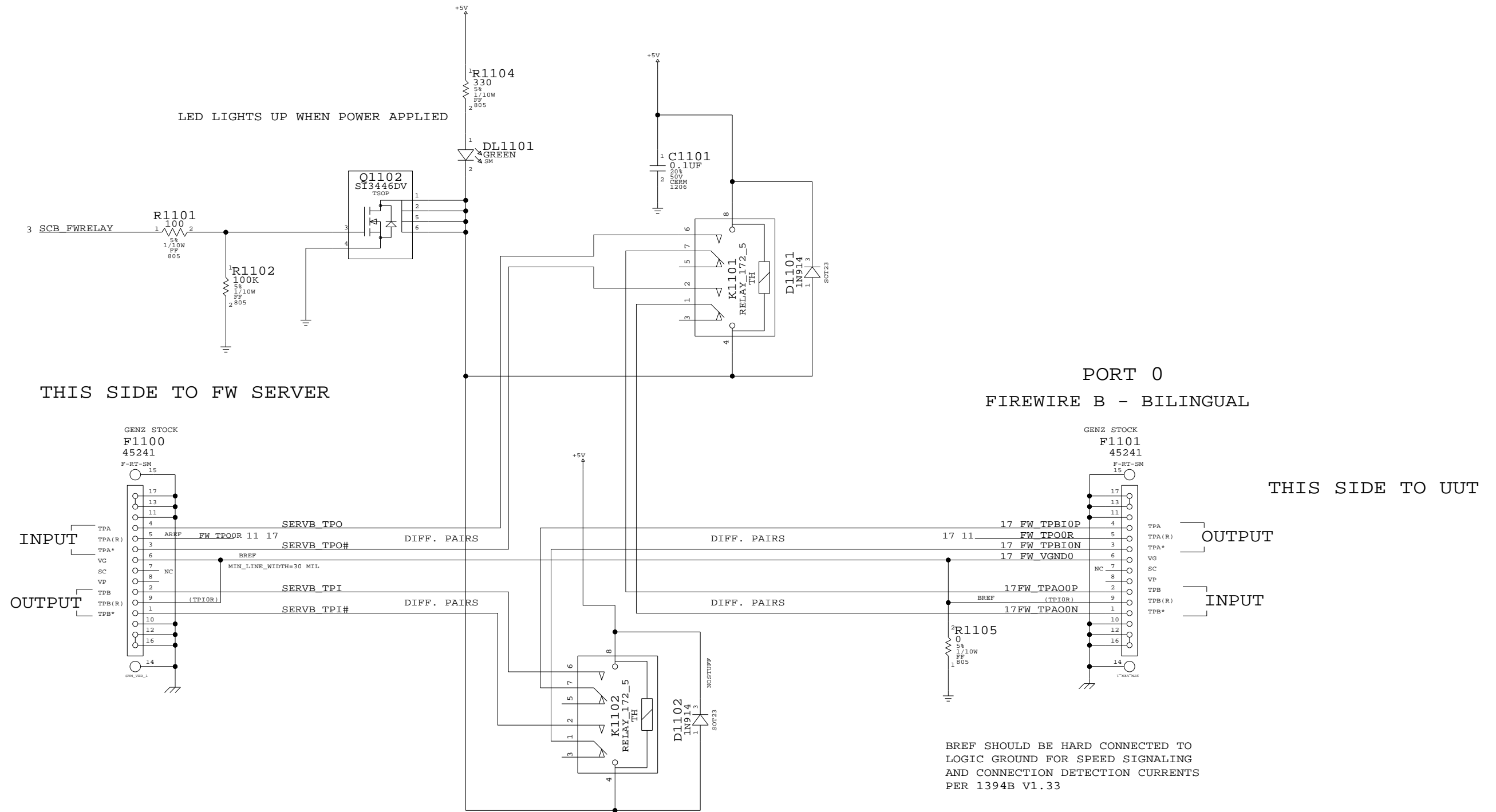


## FIREWIRE V+ RELAY

NOTICE OF PROPRIETARY PROPERTY  
 THE INFORMATION CONTAINED HEREIN IS THE PROPRIETARY PROPERTY OF APPLE COMPUTER, INC. THE POSSESSOR AGREES TO THE FOLLOWING  
 I TO MAINTAIN THE DOCUMENT IN CONFIDENCE  
 II NOT TO REPRODUCE OR COPY IT  
 III NOT TO REVEAL OR PUBLISH IN WHOLE OR PART

APPLE COMPUTER INC.	SIZE D SCALE NONE	DRAWING NUMBER 951-0246 SHEET 11 OF 20	REV. 2
---------------------	----------------------	---	--------

# FIREWIRE B RELAY SWITCH



THIS SIDE TO UUT

THIS SIDE TO FW SERVER

PORT 0  
FIREWIRE B - BILINGUAL

INPUT

OUTPUT

OUTPUT

INPUT

BREF SHOULD BE HARD CONNECTED TO LOGIC GROUND FOR SPEED SIGNALING AND CONNECTION DETECTION CURRENTS PER 1394B V1.33

NOTICE OF PROPRIETARY PROPERTY  
THE INFORMATION CONTAINED HEREIN IS THE PROPRIETARY PROPERTY OF APPLE COMPUTER, INC. THE POSSESSOR AGREES TO THE FOLLOWING  
I TO MAINTAIN THE DOCUMENT IN CONFIDENCE  
II NOT TO REPRODUCE OR COPY IT  
III NOT TO REVEAL OR PUBLISH IN WHOLE OR PART

	SIZE	DRAWING NUMBER	REV.
	D	951-0246	2
SCALE	SHT	OF	20
NONE	12	20	

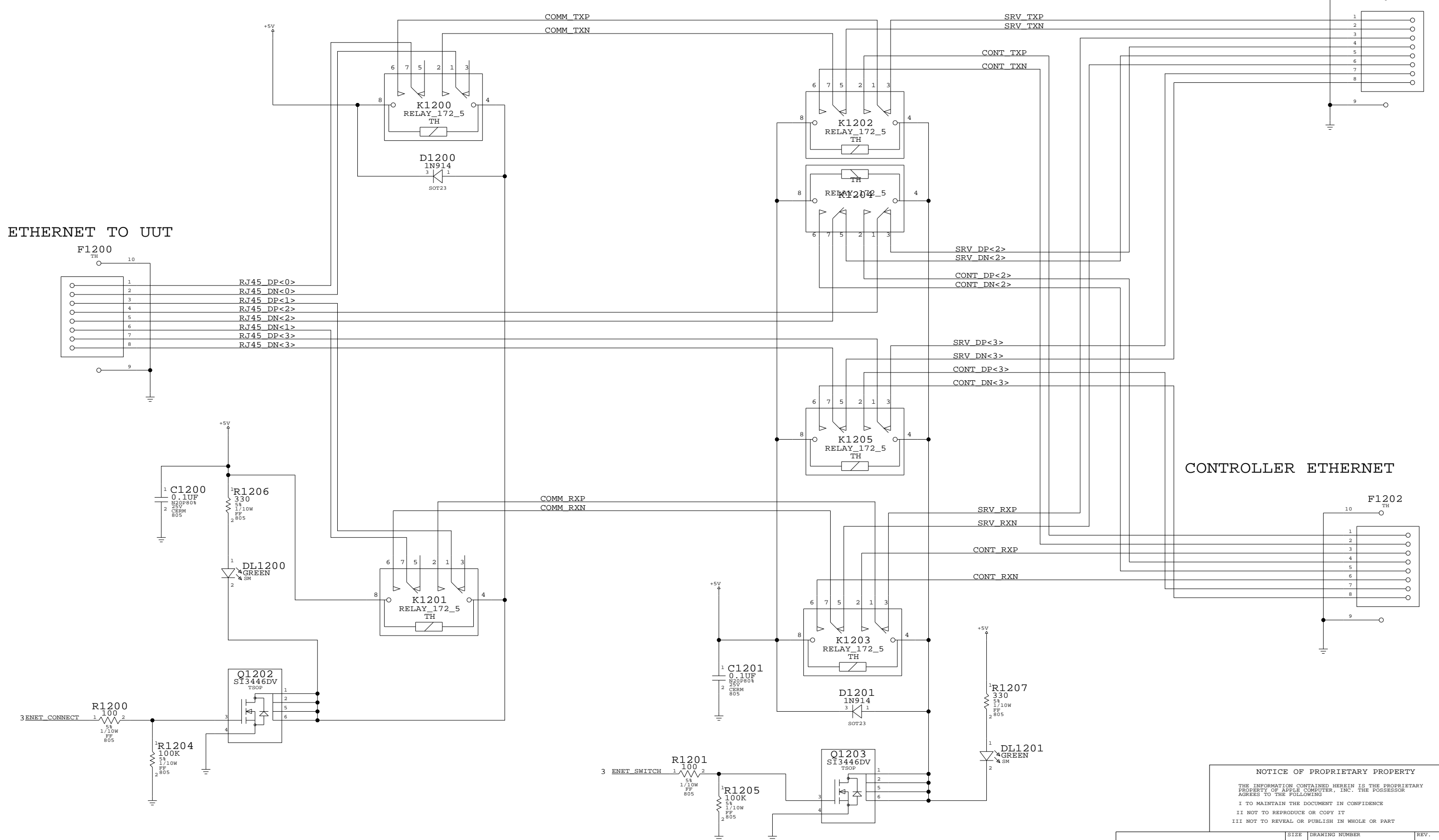
www.laptop-schematics.com

# ETHERNET SWITCHING

## SERVER ETHERNET F1201

## ETHERNET TO UUT F1200

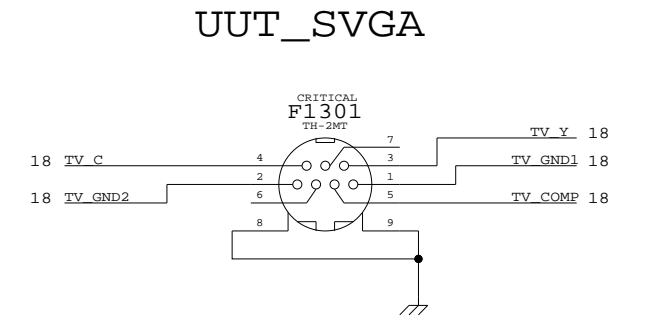
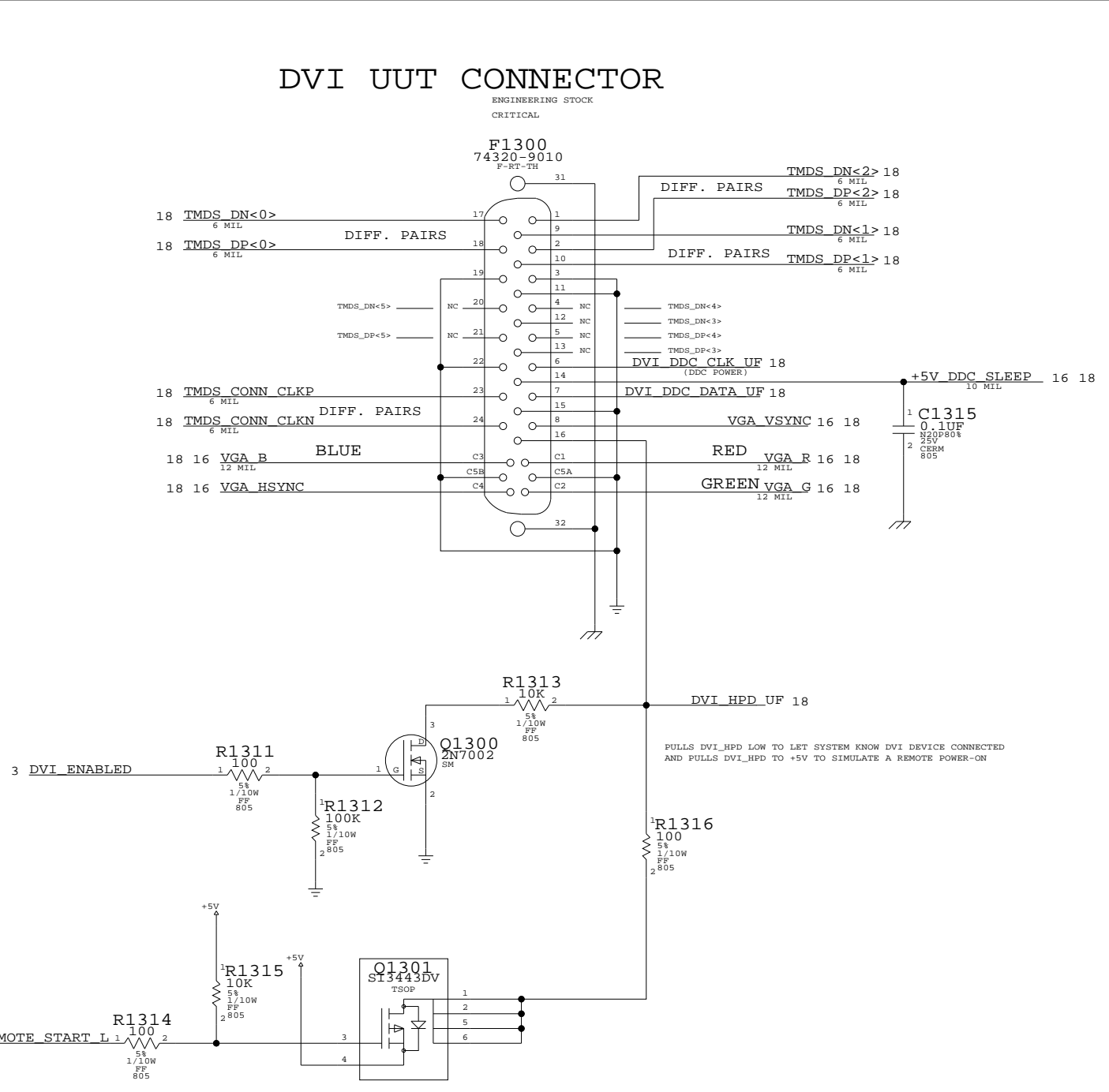
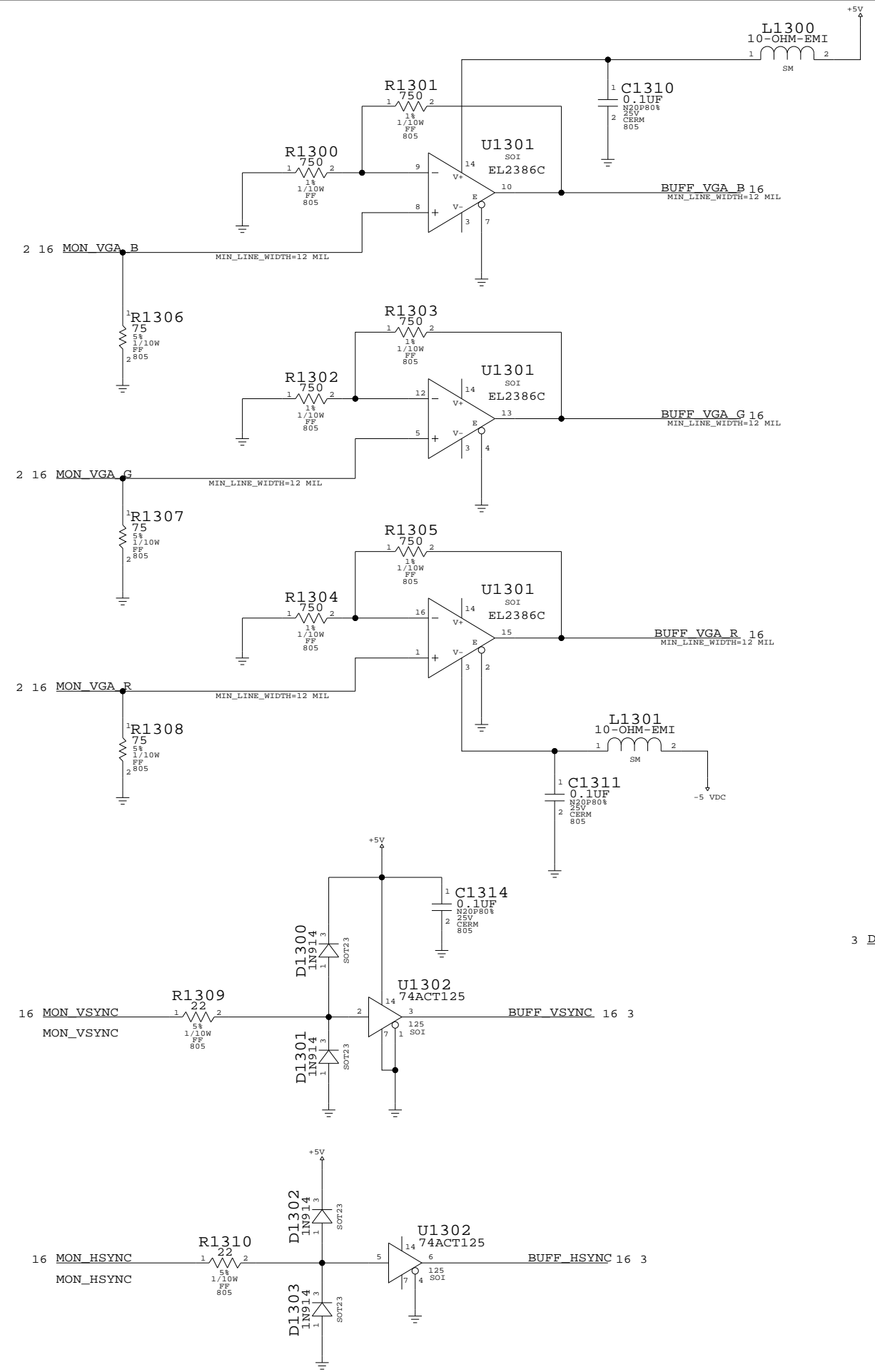
## CONTROLLER ETHERNET F1202



REFER TO PAGE 15 FOR DIFF. PAIR SIGNAL LAYOUT

NOTICE OF PROPRIETARY PROPERTY  
THE INFORMATION CONTAINED HEREIN IS THE PROPRIETARY PROPERTY OF APPLE COMPUTER, INC. THE POSSESSOR AGREES TO THE FOLLOWING  
I TO MAINTAIN THE DOCUMENT IN CONFIDENCE  
II NOT TO REPRODUCE OR COPY IT  
III NOT TO REVEAL OR PUBLISH IN WHOLE OR PART

APPLE COMPUTER INC.	SIZE	DRAWING NUMBER	REV.
	D	951-0246	2
SCALE	SHT	OF	
NONE	13	20	



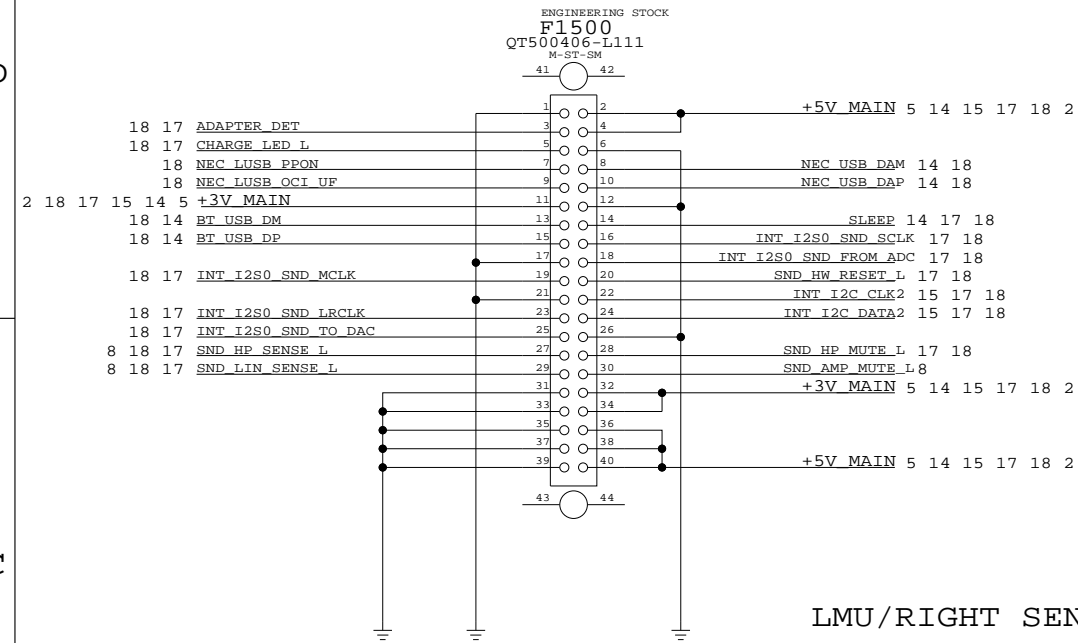
NOTICE OF PROPRIETARY PROPERTY  
 THE INFORMATION CONTAINED HEREIN IS THE PROPRIETARY PROPERTY OF APPLE COMPUTER, INC. THE POSSESSOR AGREES TO THE FOLLOWING:  
 I TO MAINTAIN THE DOCUMENT IN CONFIDENCE  
 II NOT TO REPRODUCE OR COPY IT  
 III NOT TO REVEAL OR PUBLISH IN WHOLE OR PART

APPLE COMPUTER INC.	SIZE	DRAWING NUMBER	REV.
	D	951-0246	2
SCALE	SHT	OF	
NONE	14	20	

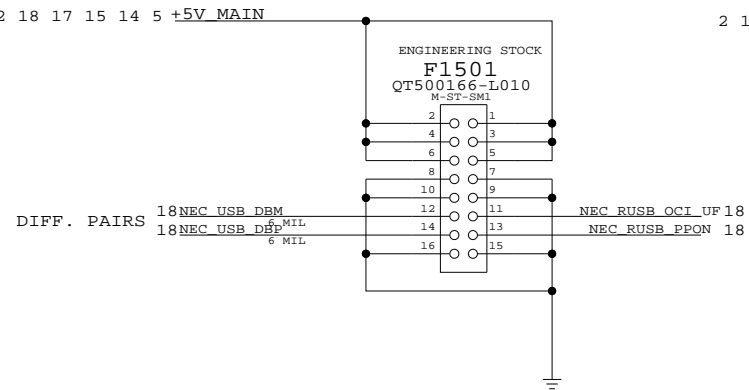
www.laptop-schematics.com

# FIREWIRE LOAD CIRCUIT

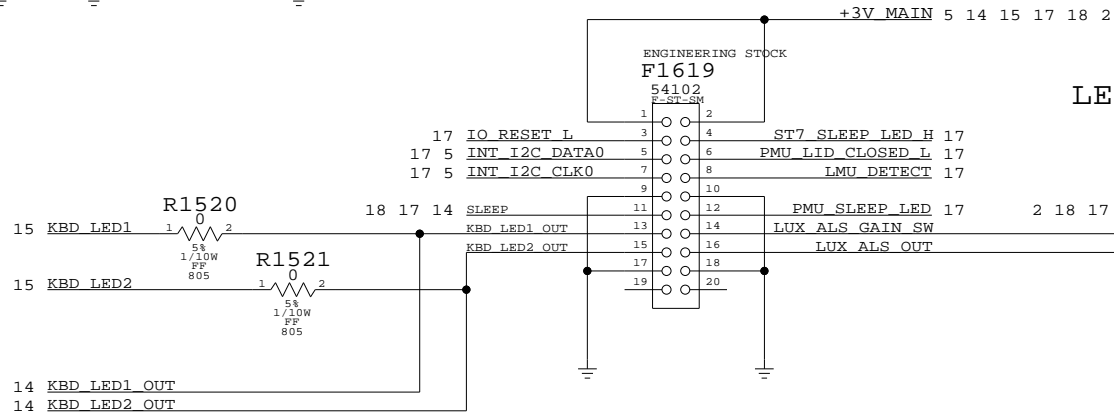
## AUDIO/LEFT I/O BOARD (LIO)



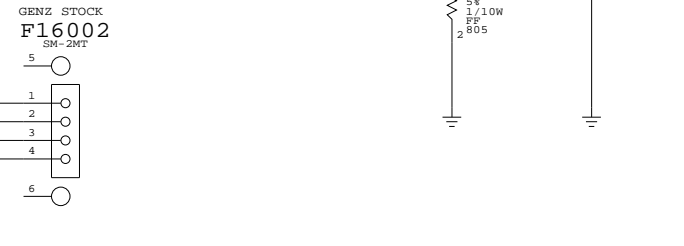
## RIGHT USB BOARD



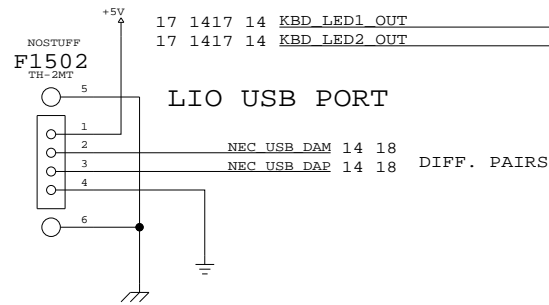
## LMU/RIGHT SENSOR CONNECTOR



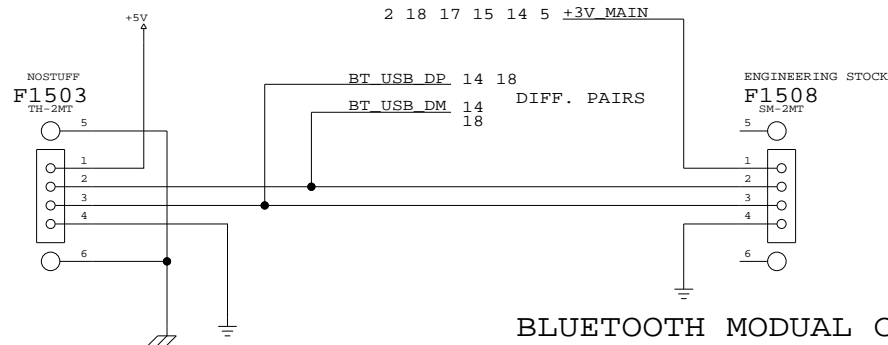
## LEFT LIGHT SENSOR CONNECTOR



## LIO USB PORT

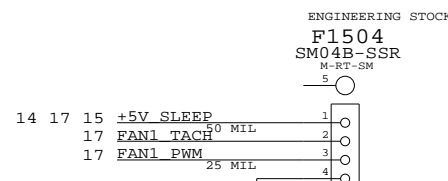


## EXTERNAL BLUETOOTH USB PORT

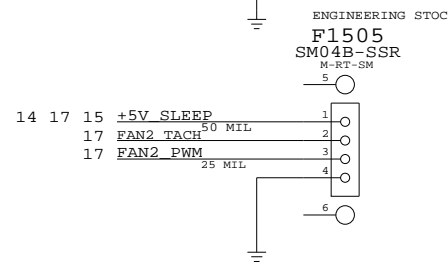


## BLUETOOTH MODULAR CONNECTOR

## FAN 1 CONNECTOR CPU



## FAN 2 CONNECTOR GPU

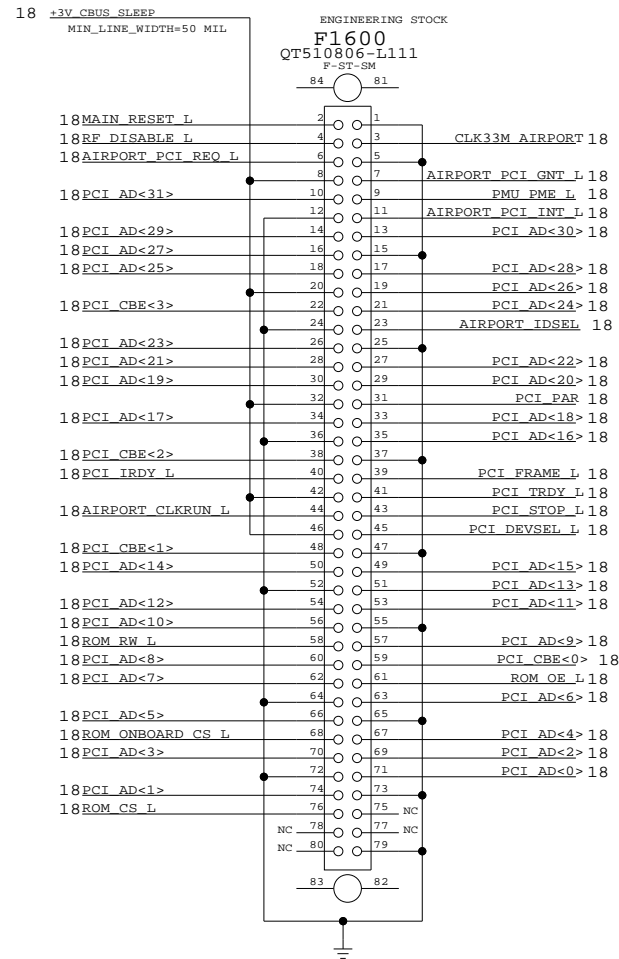


NOTICE OF PROPRIETARY PROPERTY  
THE INFORMATION CONTAINED HEREIN IS THE PROPRIETARY PROPERTY OF APPLE COMPUTER, INC. THE POSSESSOR AGREES TO THE FOLLOWING  
I TO MAINTAIN THE DOCUMENT IN CONFIDENCE  
II NOT TO REPRODUCE OR COPY IT  
III NOT TO REVEAL OR PUBLISH IN WHOLE OR PART

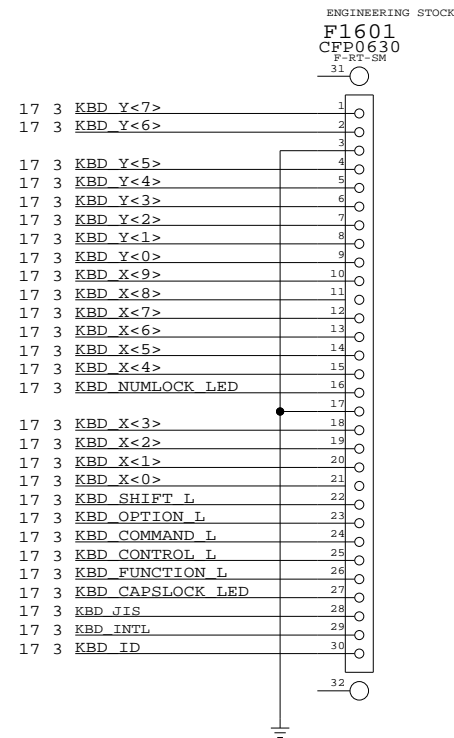
APPLE COMPUTER INC.	SIZE <b>D</b>	DRAWING NUMBER <b>951-0246</b>	REV. <b>2</b>
	SCALE NONE	SHEET 16	OF 20

www.laptop-schematics.com

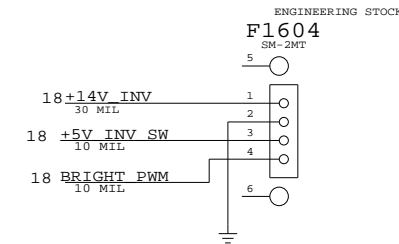
### WIRELESS INTERFACE



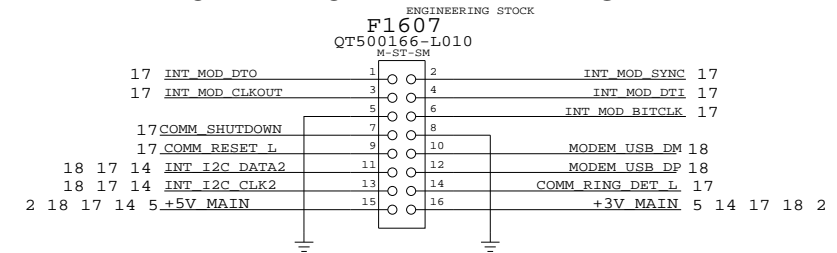
### KEYBOARD INTERFACE



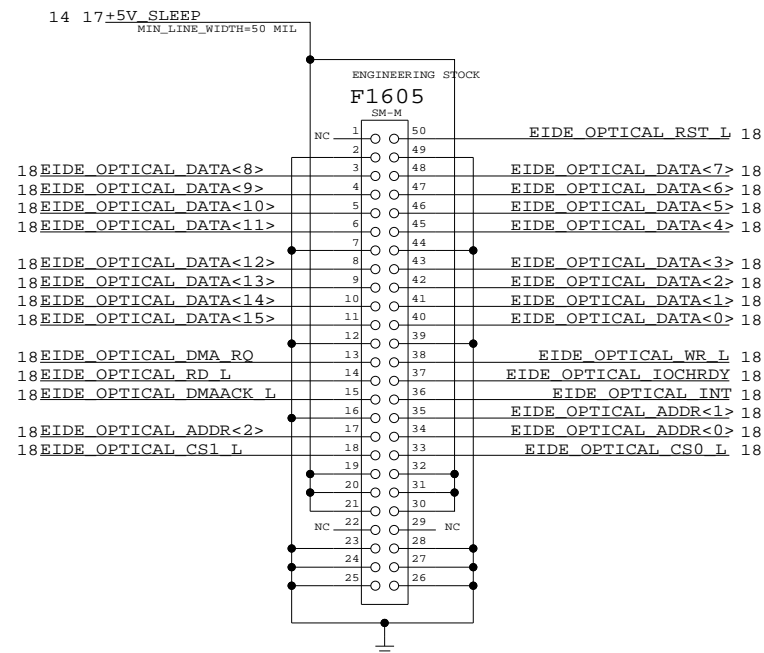
### INVERTER INTERFACE



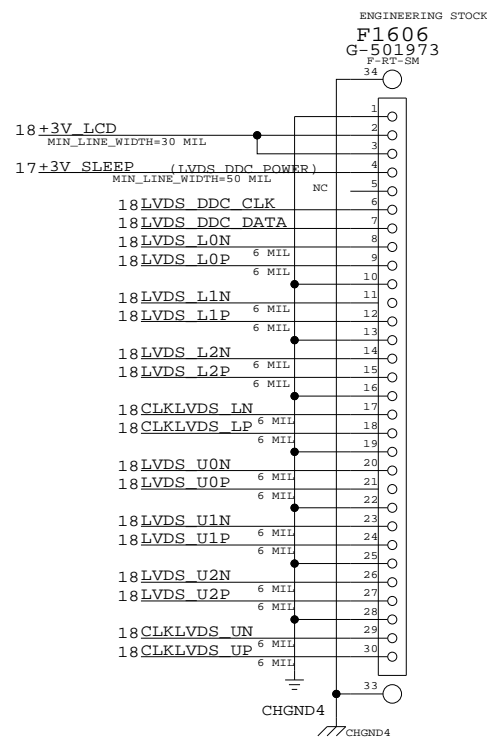
### MODEM BOARD INTERFACE



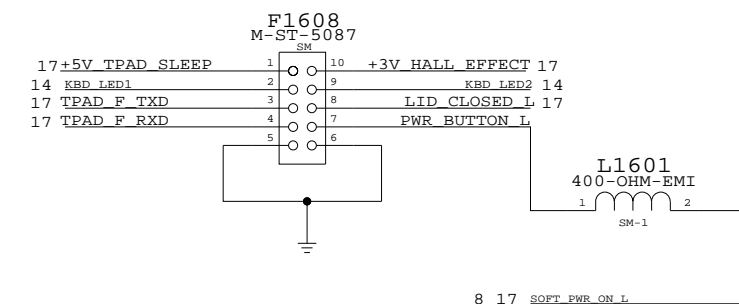
### OPTICAL DRIVE INTERFACE (EIDE)



### LVDS INTERFACE



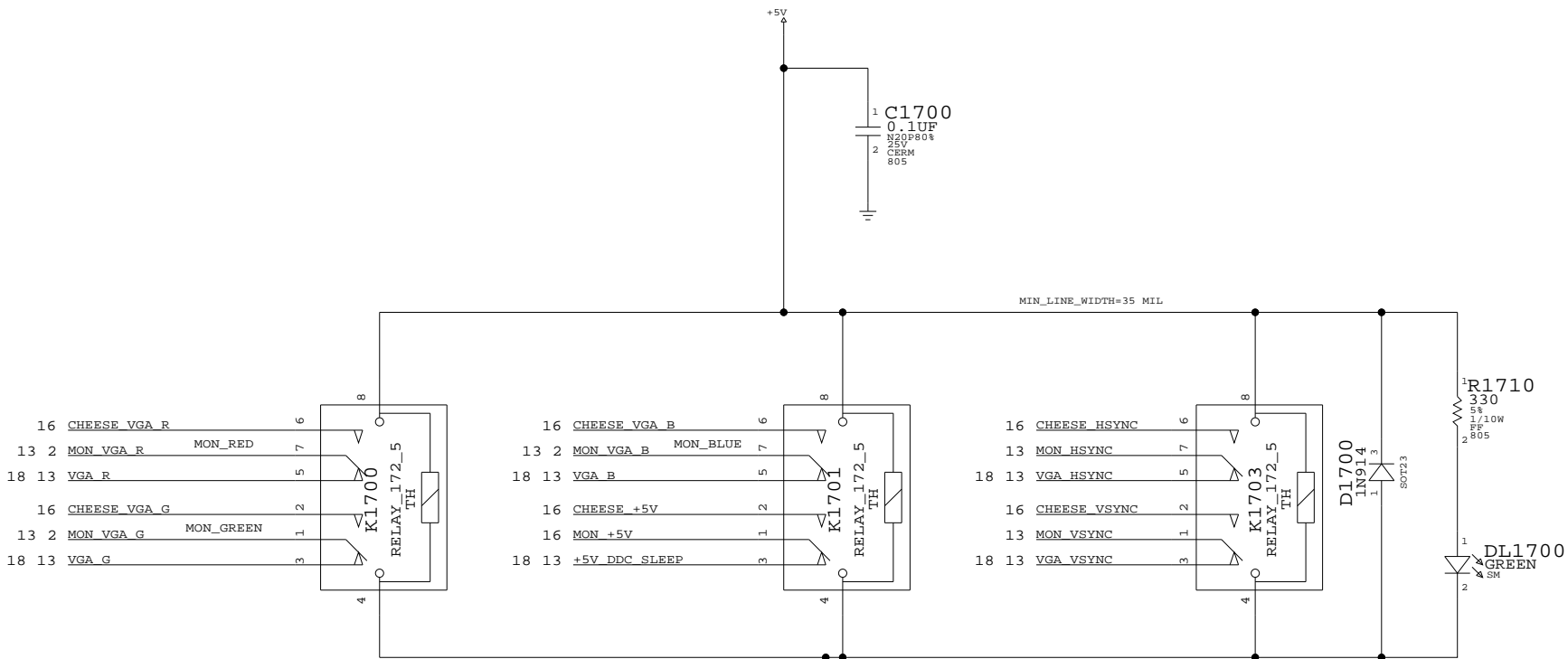
### TRACKPAD/PWR BTN CONN



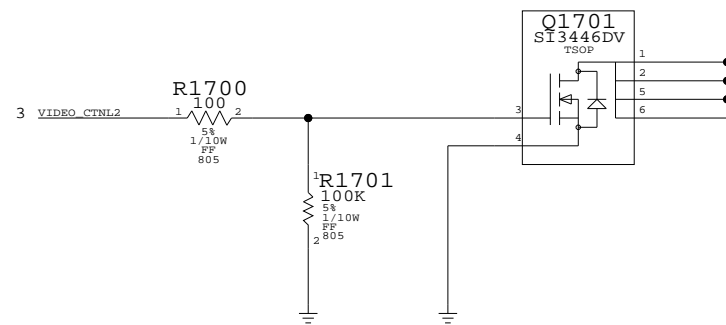
NOTICE OF PROPRIETARY PROPERTY  
THE INFORMATION CONTAINED HEREIN IS THE PROPRIETARY PROPERTY OF APPLE COMPUTER, INC. THE POSSESSOR AGREES TO THE FOLLOWING  
I TO MAINTAIN THE DOCUMENT IN CONFIDENCE  
II NOT TO REPRODUCE OR COPY IT  
III NOT TO REVEAL OR PUBLISH IN WHOLE OR PART

APPLE COMPUTER INC.	SIZE D DRAWING NUMBER 951-0246 SCALE NONE	REV. 2 SHEET 17 OF 20
---------------------	---	--------------------------

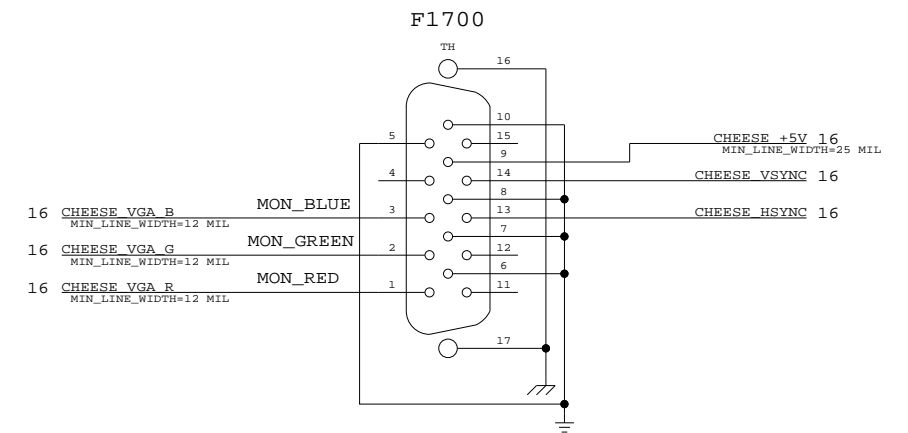
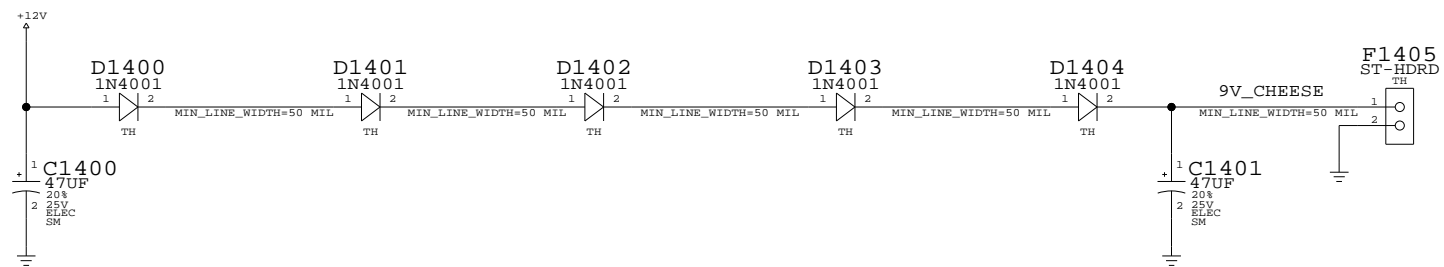
www.laptop-schematics.com



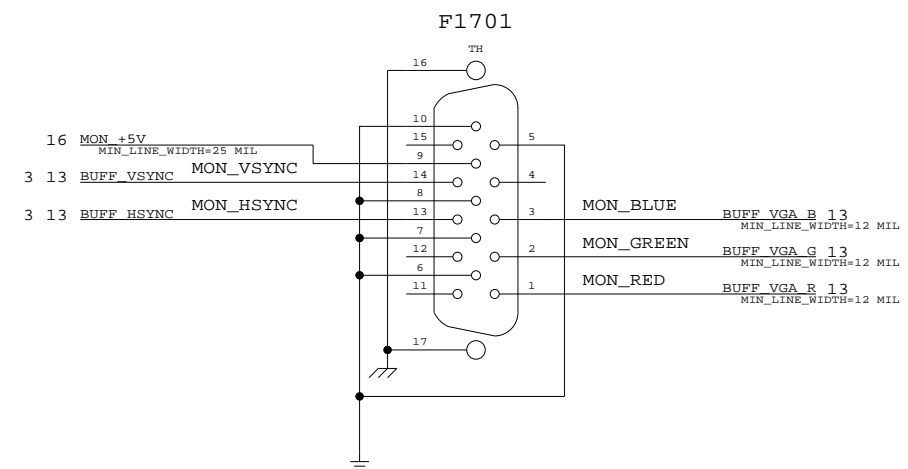
SVIDEO/VGA SELECT



CHEESE BOX VOLTAGE SOURCE



CHEESE\_BOX



CONTROLLER MONITOR

NOTICE OF PROPRIETARY PROPERTY  
 THE INFORMATION CONTAINED HEREIN IS THE PROPRIETARY PROPERTY OF APPLE COMPUTER, INC. THE POSSESSOR AGREES TO THE FOLLOWING  
 I TO MAINTAIN THE DOCUMENT IN CONFIDENCE  
 II NOT TO REPRODUCE OR COPY IT  
 III NOT TO REVEAL OR PUBLISH IN WHOLE OR PART

APPLE COMPUTER INC.	SIZE	DRAWING NUMBER	REV.
	D	951-0246	2
SCALE	SHT		OF
NONE	18		20

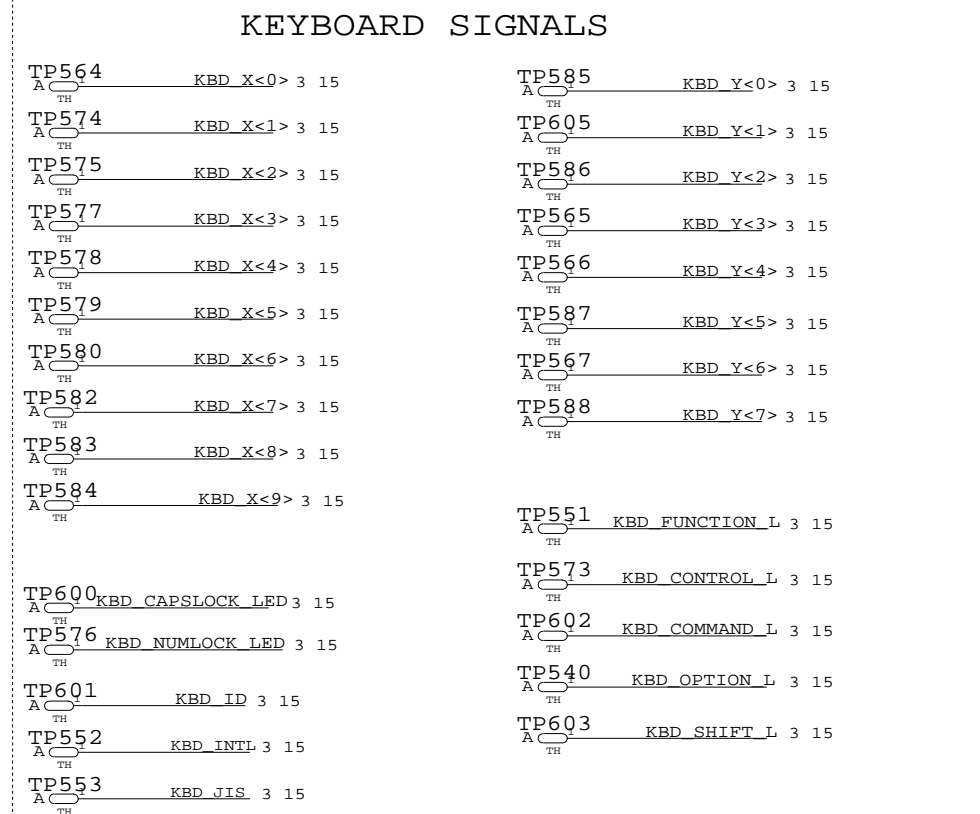
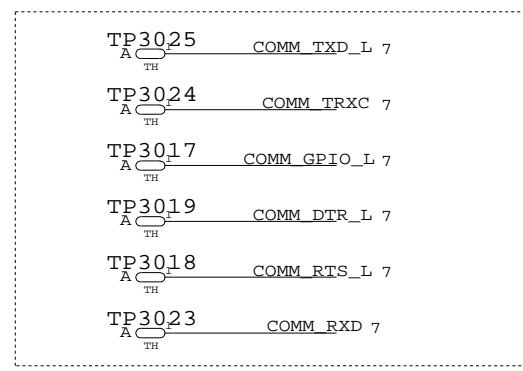
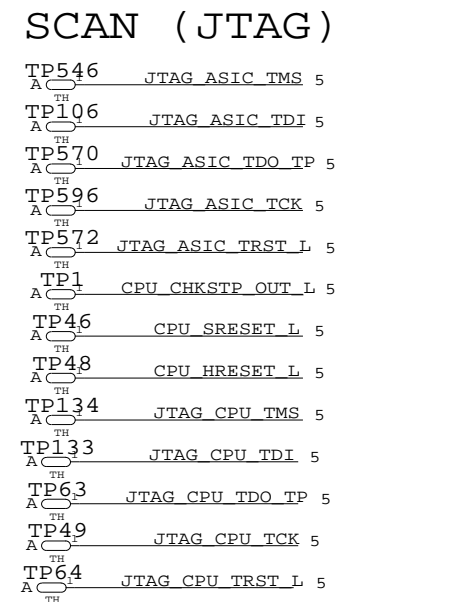
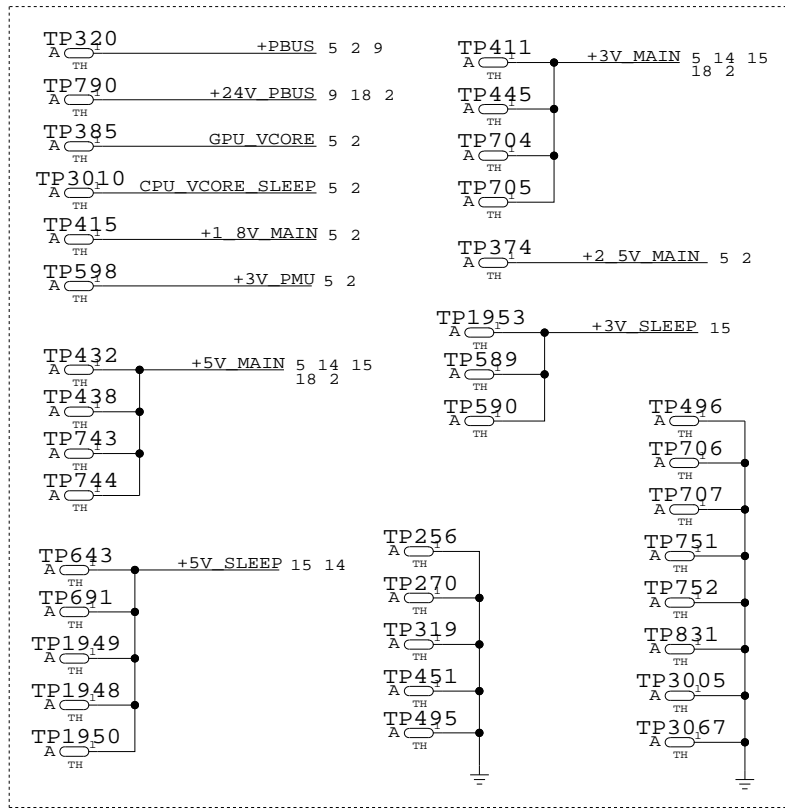


POWER & GND

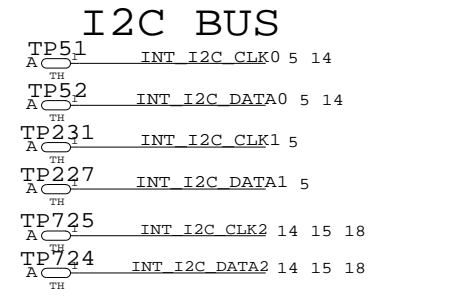
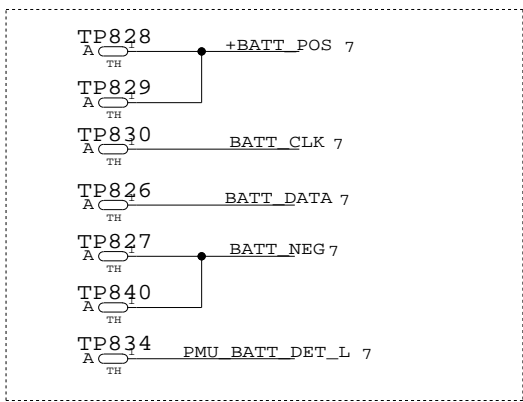
TEST SIGNALS

SERIAL PORT-UUT COMM

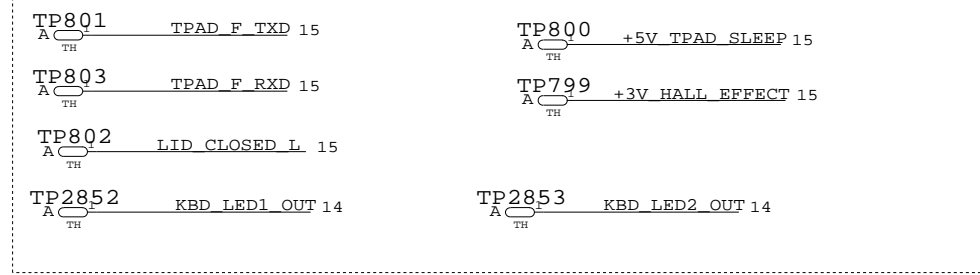
KEYBOARD CONNECTOR



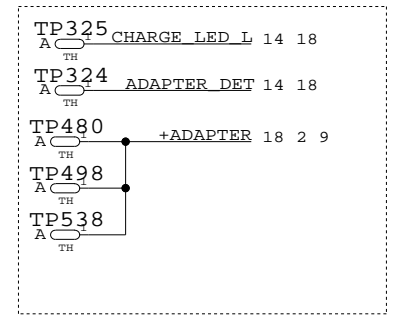
BATTERY CONNECTIONS



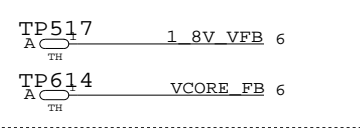
TRACKPAD SIGNALS



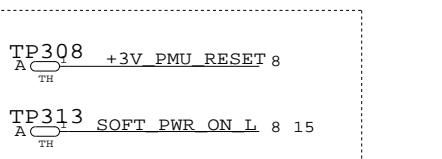
POWER INPUT SIGNALS



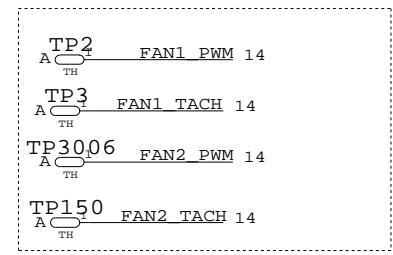
VOLTAGE MARGINING



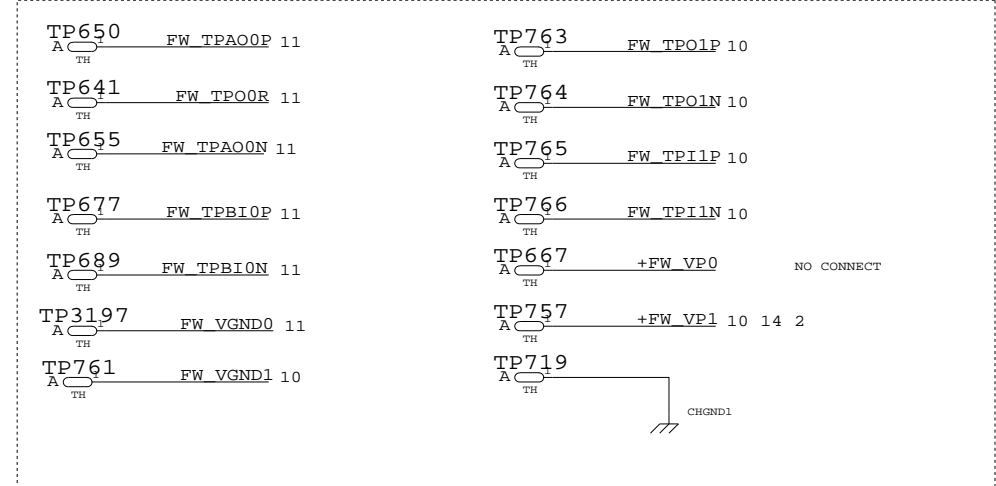
POWER-UP CONTROL SIGNALS



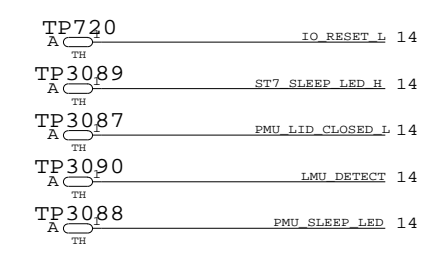
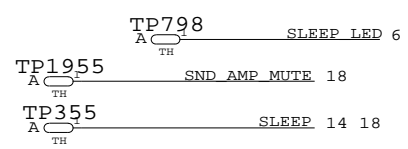
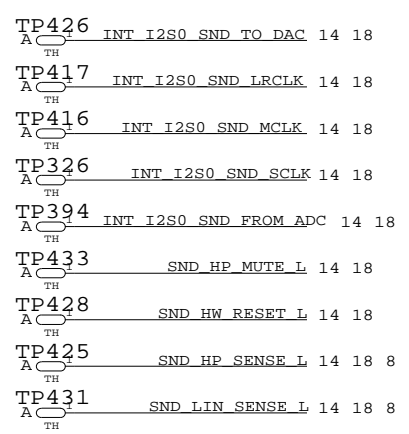
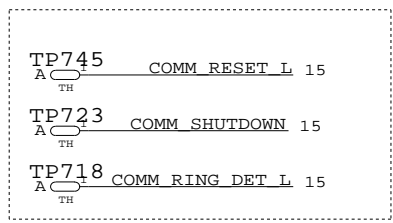
FAN TP'S



FIREWIRE TP'S



MODEM



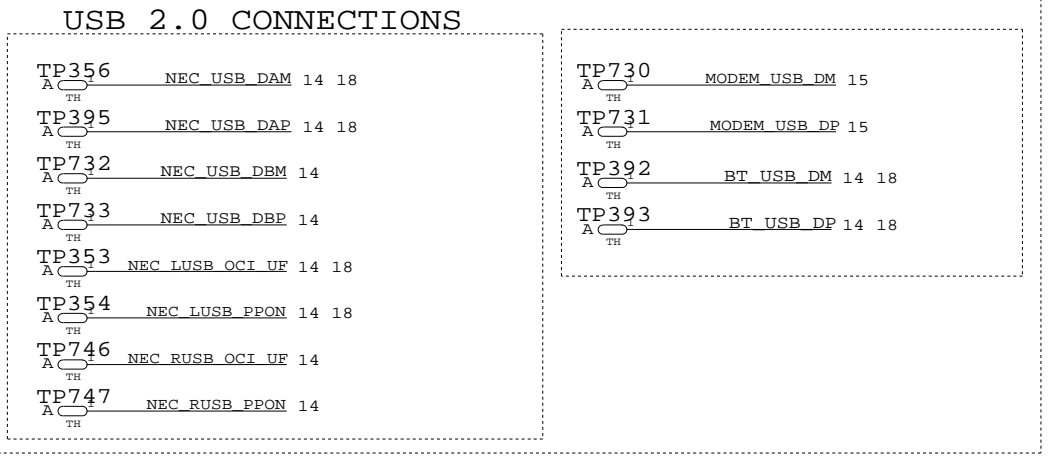
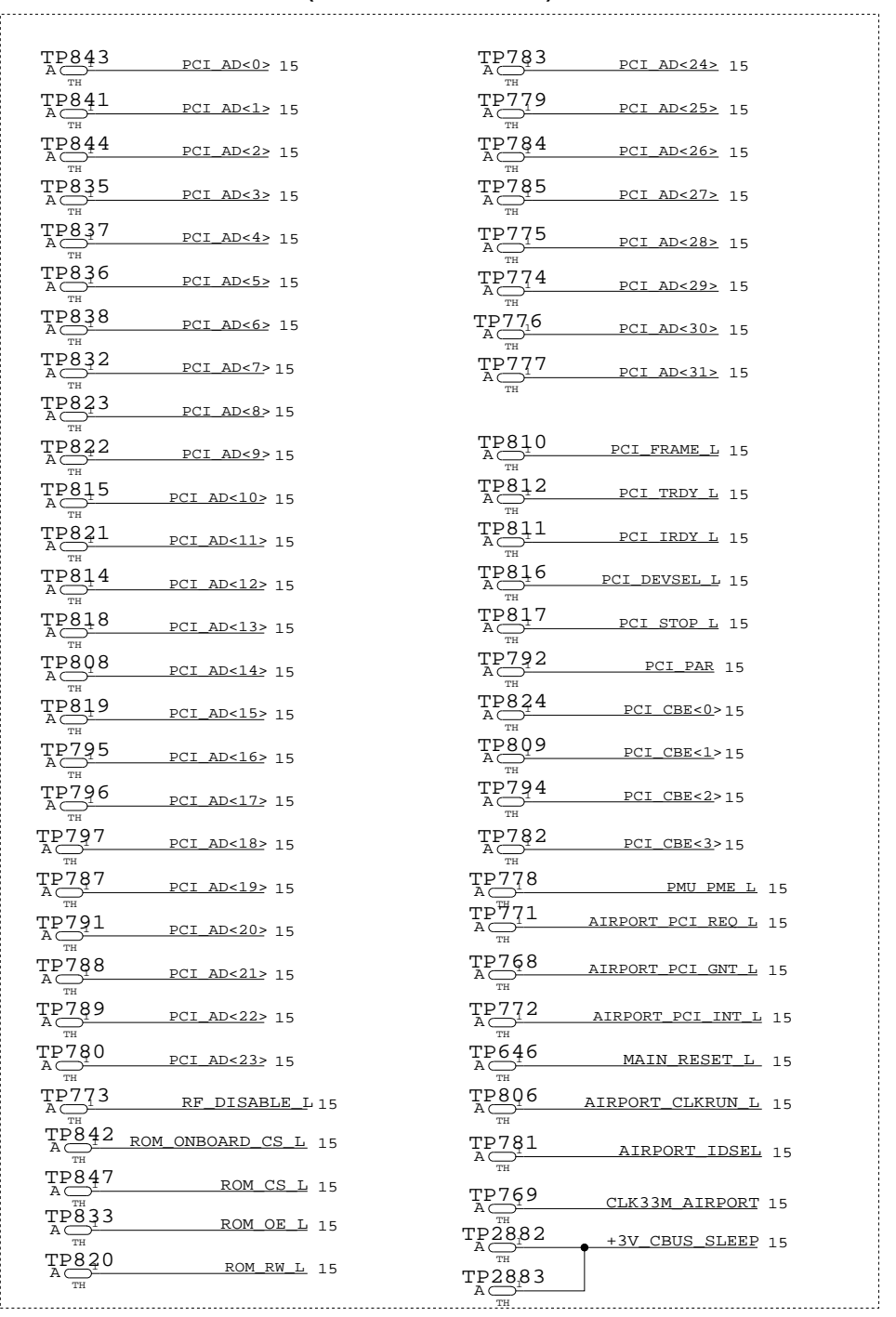
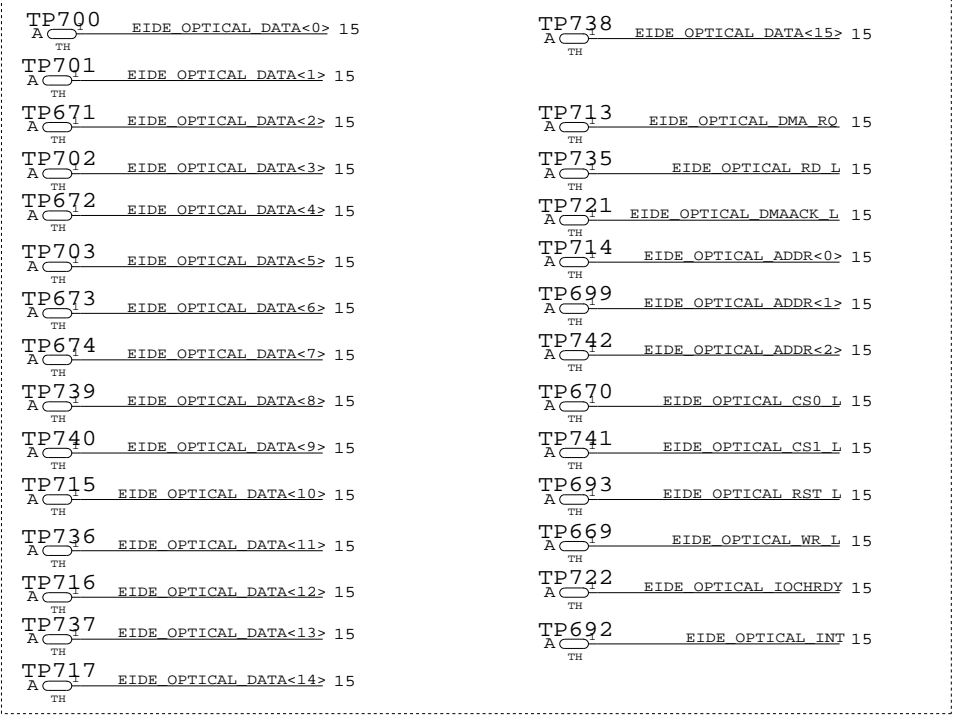
NOTICE OF PROPRIETARY PROPERTY  
 THE INFORMATION CONTAINED HEREIN IS THE PROPRIETARY PROPERTY OF APPLE COMPUTER, INC. THE POSSESSOR AGREES TO THE FOLLOWING  
 I TO MAINTAIN THE DOCUMENT IN CONFIDENCE  
 II NOT TO REPRODUCE OR COPY IT  
 III NOT TO REVEAL OR PUBLISH IN WHOLE OR PART

APPLE COMPUTER INC.  
 SIZE DRAWING NUMBER REV.  
 D 951-0246 2  
 SCALE NONE SHEET 19 OF 20

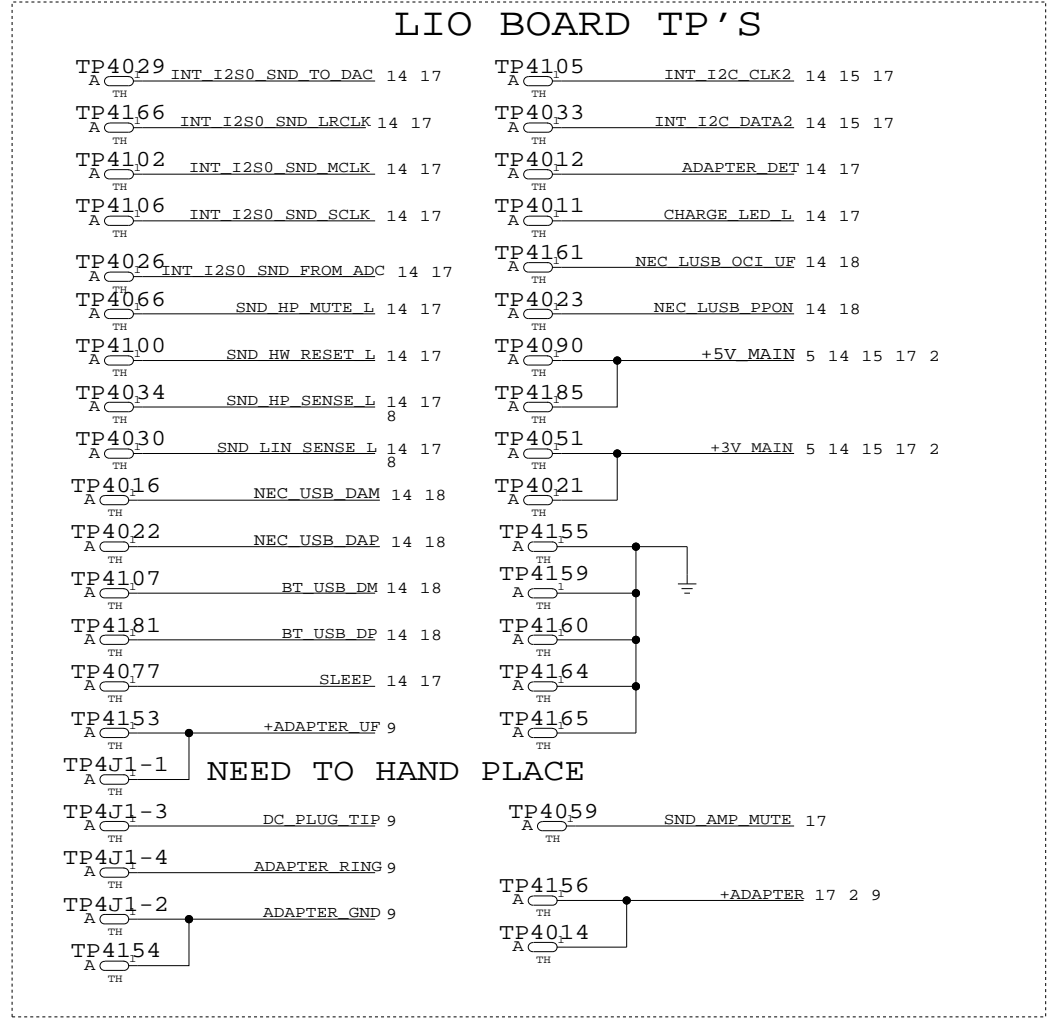
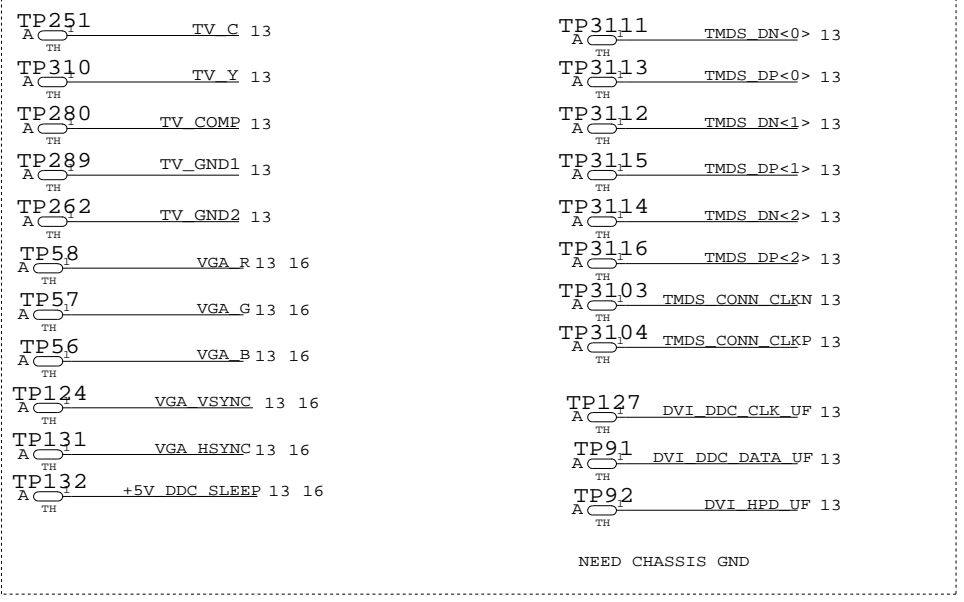
DVD TP'S

CARDSLOT(WIRELESS) TP'S

USB TP'S



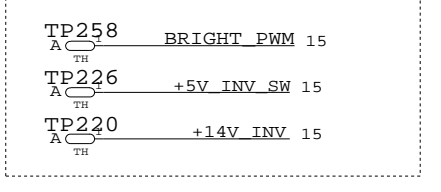
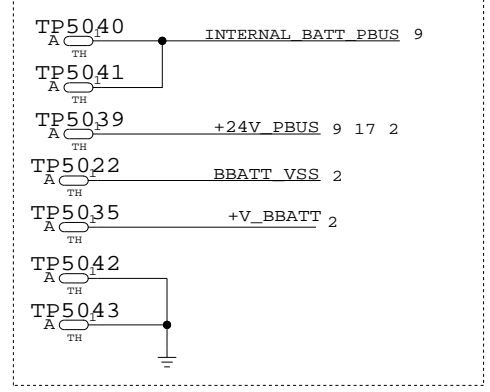
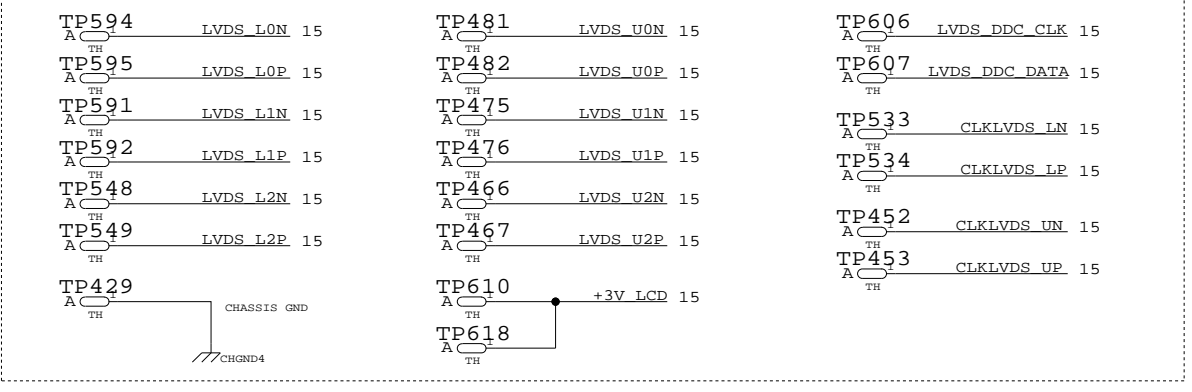
DVI (VGA, DIGITAL) & S-VIDEO



LVDS TP'S

LIBBA TP'S

BACKLIGHT TP'S



NOTICE OF PROPRIETARY PROPERTY  
 THE INFORMATION CONTAINED HEREIN IS THE PROPRIETARY PROPERTY OF APPLE COMPUTER, INC. THE POSSESSOR AGREES TO THE FOLLOWING  
 I TO MAINTAIN THE DOCUMENT IN CONFIDENCE  
 II NOT TO REPRODUCE OR COPY IT  
 III NOT TO REVEAL OR PUBLISH IN WHOLE OR PART

APPLE COMPUTER INC.

SIZE	DRAWING NUMBER	REV.
D	951-0246	2
SCALE	SHT	OF
NONE	20	20