

8

7

6

5

4

3

2

1

- 1. ALL RESISTANCE VALUES ARE IN OHMS, 0.1 WATT +/- 5%.
- 2. ALL CAPACITANCE VALUES ARE IN MICROFARADS.
- 3. ALL CRYSTALS & OSCILLATOR VALUES ARE IN HERTZ.

REV	ZONE	ECN	DESCRIPTION OF CHANGE	CK APPD	ENG APPD
				DATE	DATE
?		?	?	?	?

Q45 INTERFACE BOARD

920-0163-03 (PCB)


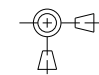
951-0292-03 (SCHEMATIC)

REV 1: 11/12/2003 TEF

REV 2: 1/19/2004 TEF

REV 3: 4/09/2004 TEF

TOM FUSSELMAN EXT 4-8994

DIMENSIONS ARE IN MILLIMETERS		METRIC		 Apple Computer Inc.	
XX : _____				NOTICE OF PROPRIETARY PROPERTY THE INFORMATION CONTAINED HEREIN IS THE PROPRIETARY PROPERTY OF APPLE COMPUTER, INC. THE POSSESSOR AGREES TO THE FOLLOWING I TO MAINTAIN THE DOCUMENT IN CONFIDENCE II NOT TO REPRODUCE OR COPY IT III NOT TO REVEAL OR PUBLISH IN WHOLE OR PART	
X.XX : _____				TITLE	
X.XXX : _____				Q45 INTERFACE BOARD	
ANGLES : _____				DRAWING NUMBER 951-0292 REV. 3	
DO NOT SCALE DRAWING				SHT 1 OF 26	
 THIRD ANGLE PROJECTION		MATERIAL/FINISH NOTED AS APPLICABLE	SIZE D		

8

7

6

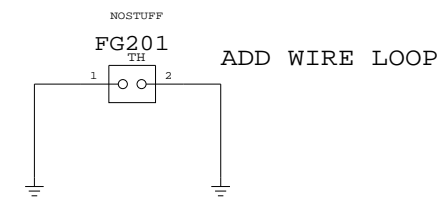
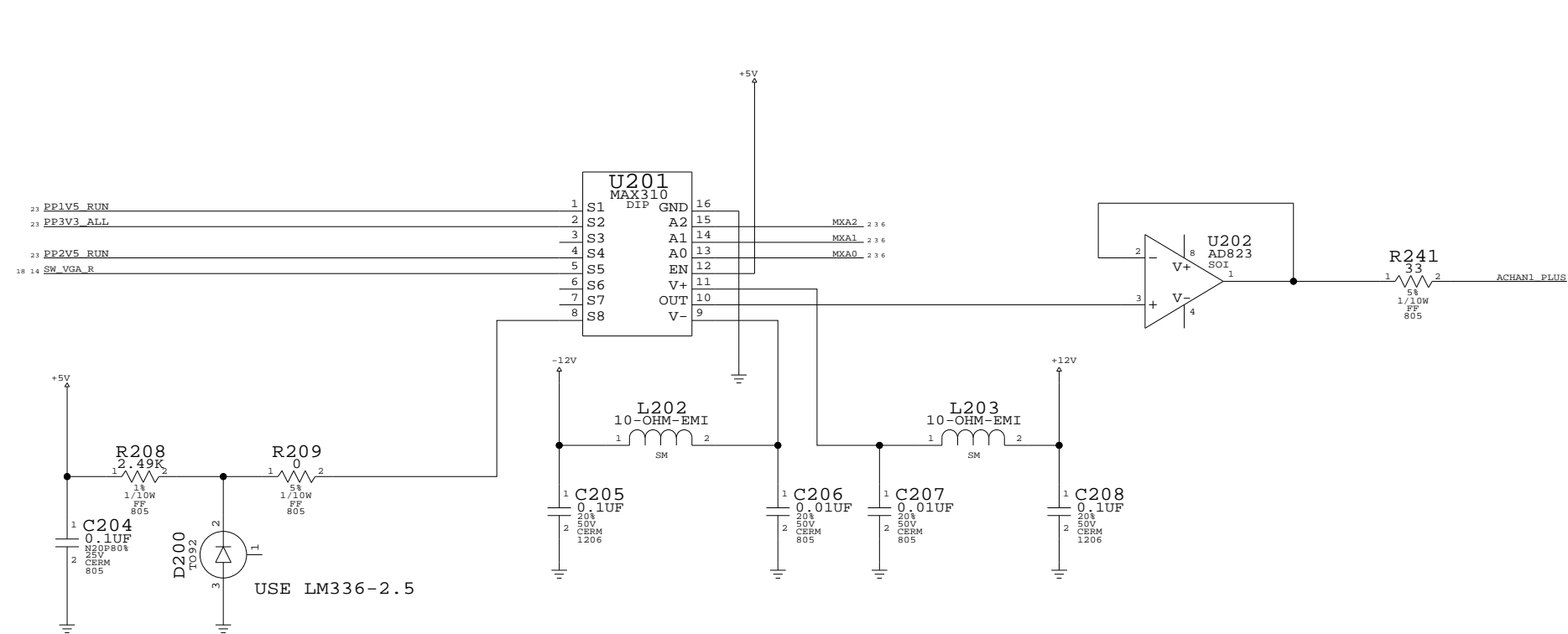
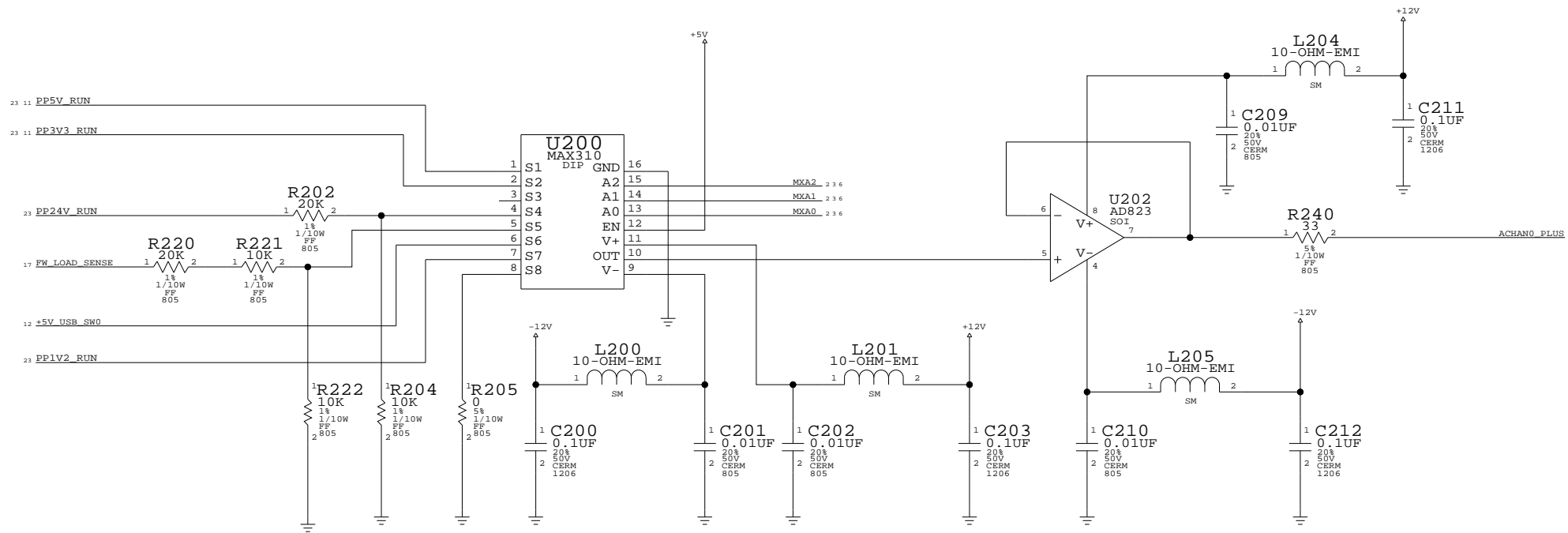
5

4

3

2

1



NOTICE OF PROPRIETARY PROPERTY
 THE INFORMATION CONTAINED HEREIN IS THE PROPRIETARY PROPERTY OF APPLE COMPUTER, INC. THE POSSESSOR AGREES TO THE FOLLOWING
 I TO MAINTAIN THE DOCUMENT IN CONFIDENCE
 II NOT TO REPRODUCE OR COPY IT
 III NOT TO REVEAL OR PUBLISH IN WHOLE OR PART

	SIZE	DRAWING NUMBER	REV.
	D	951-0292	3
SCALE	SHEET		OF
NONE	2		26

8

7

6

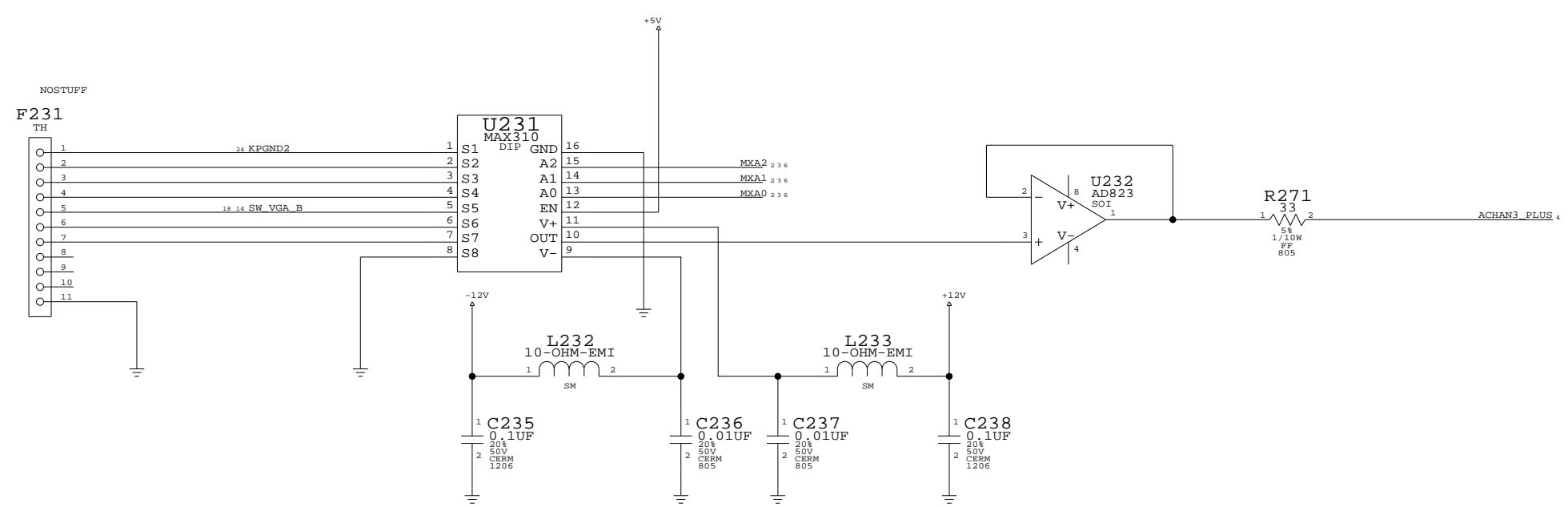
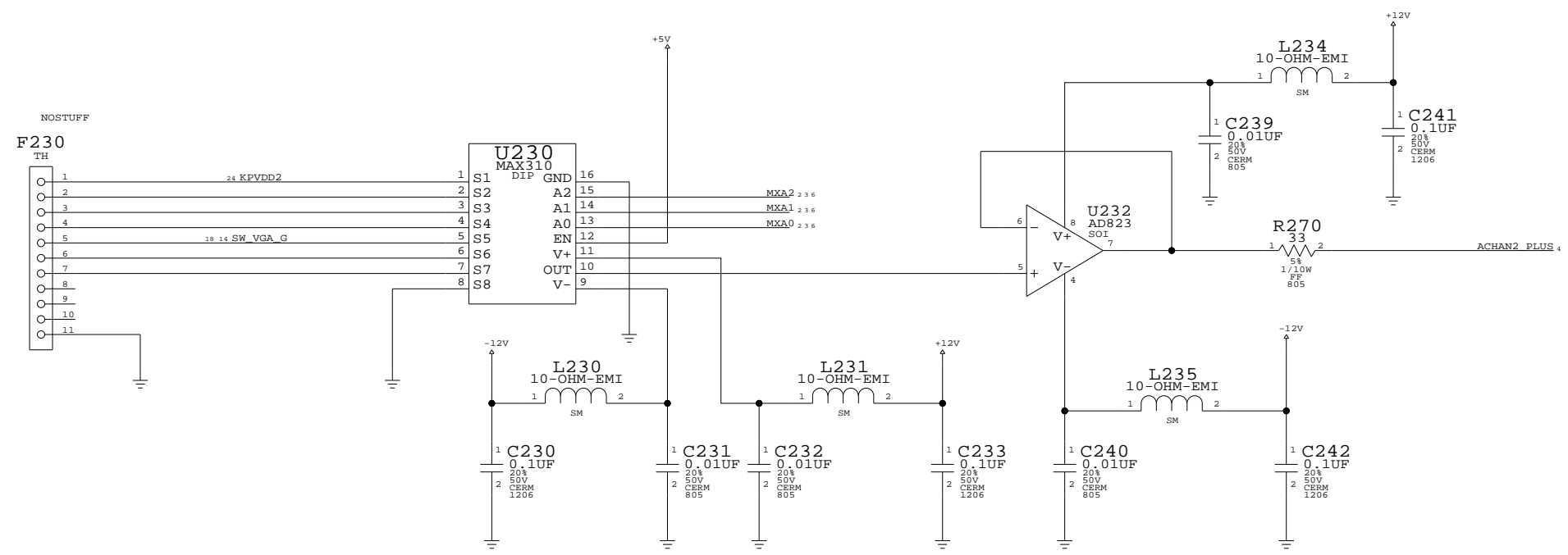
5

4

3

2

1



NOTICE OF PROPRIETARY PROPERTY

THE INFORMATION CONTAINED HEREIN IS THE PROPRIETARY PROPERTY OF APPLE COMPUTER, INC. THE POSSESSOR AGREES TO THE FOLLOWING

I TO MAINTAIN THE DOCUMENT IN CONFIDENCE

II NOT TO REPRODUCE OR COPY IT

III NOT TO REVEAL OR PUBLISH IN WHOLE OR PART

	SIZE	DRAWING NUMBER	REV.
	D	951-0292	3
SCALE	SHEET		OF
NONE	3		26

8

7

6

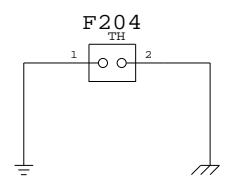
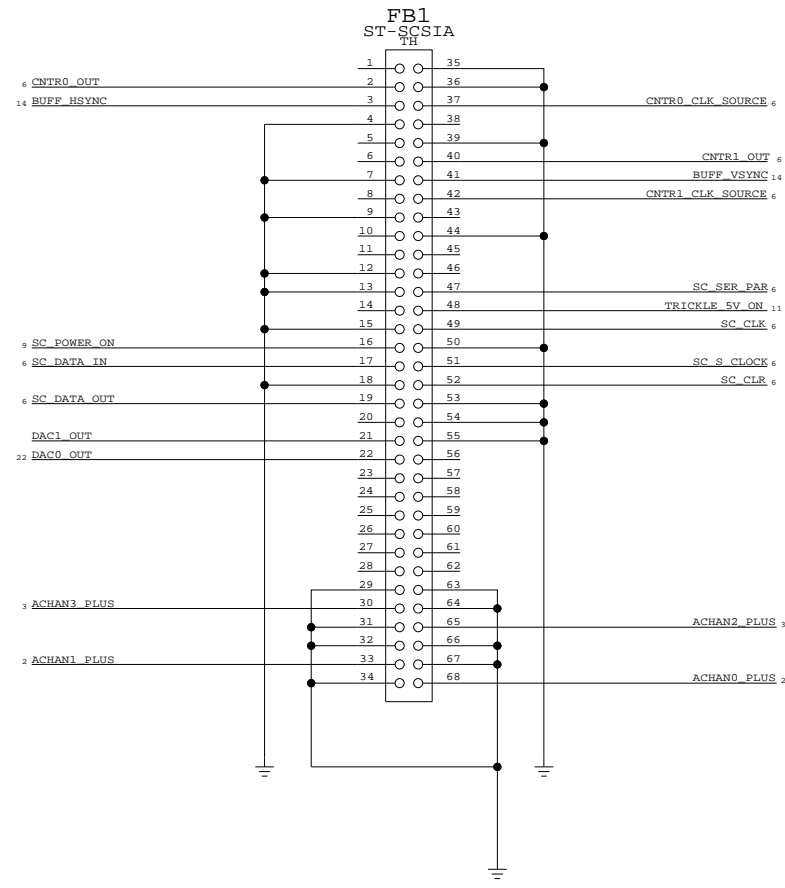
5

4

3

2

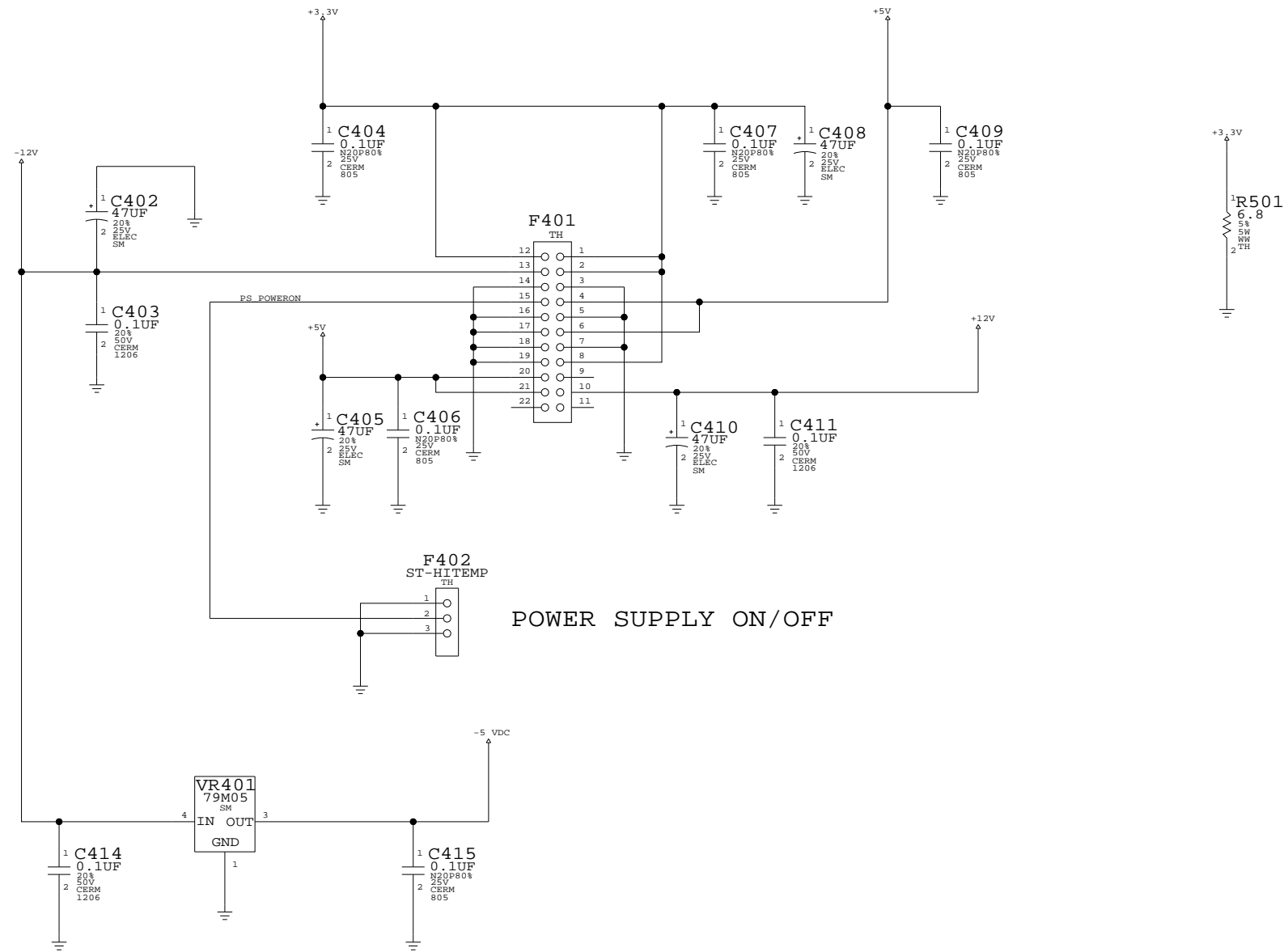
1



NOTICE OF PROPRIETARY PROPERTY
 THE INFORMATION CONTAINED HEREIN IS THE PROPRIETARY PROPERTY OF APPLE COMPUTER, INC. THE POSSESSOR AGREES TO THE FOLLOWING
 I TO MAINTAIN THE DOCUMENT IN CONFIDENCE
 II NOT TO REPRODUCE OR COPY IT
 III NOT TO REVEAL OR PUBLISH IN WHOLE OR PART

	SIZE	DRAWING NUMBER	REV.
	D	951-0292	3
SCALE	SHT	OF	
NONE	4	26	

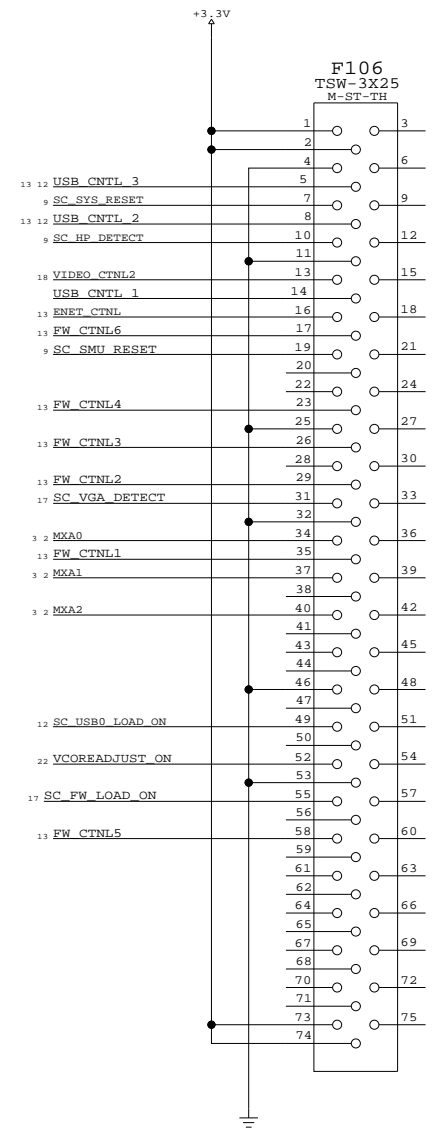
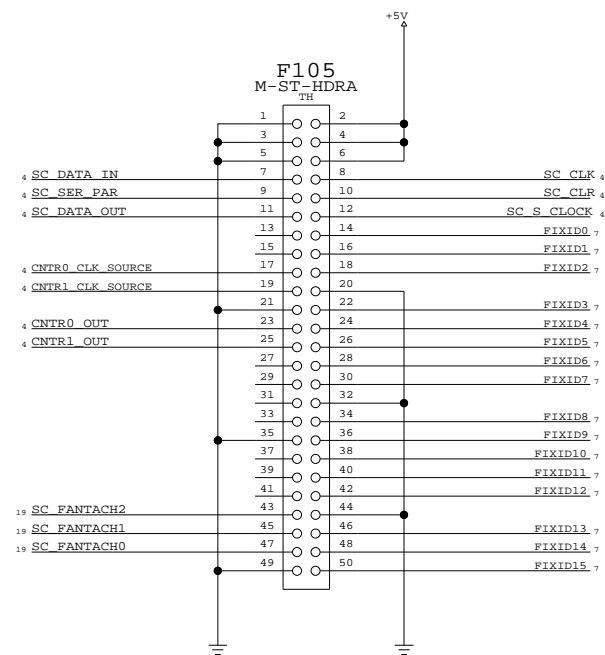
INTERFACE BOARD POWER CONNECTOR



NOTICE OF PROPRIETARY PROPERTY
 THE INFORMATION CONTAINED HEREIN IS THE PROPRIETARY PROPERTY OF APPLE COMPUTER, INC. THE POSSESSOR AGREES TO THE FOLLOWING
 I TO MAINTAIN THE DOCUMENT IN CONFIDENCE
 II NOT TO REPRODUCE OR COPY IT
 III NOT TO REVEAL OR PUBLISH IN WHOLE OR PART

	SIZE	DRAWING NUMBER	REV.
	D	951-0292	3
SCALE	SHT	OF	
NONE	5	26	

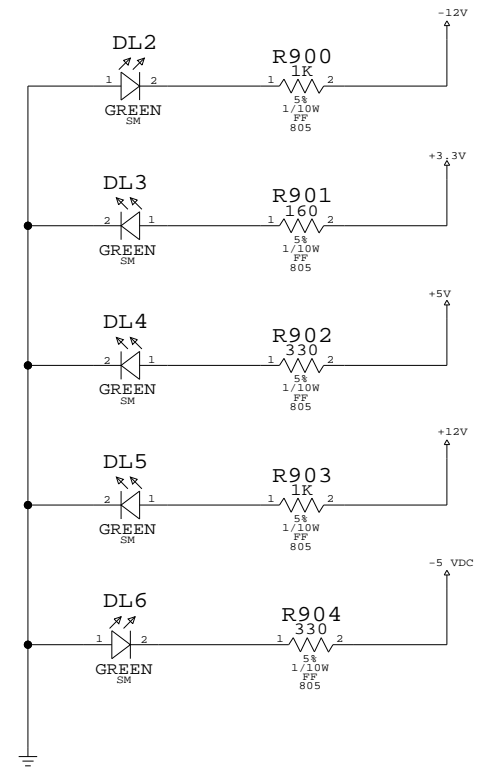
SCAN CARD CONNECTORS



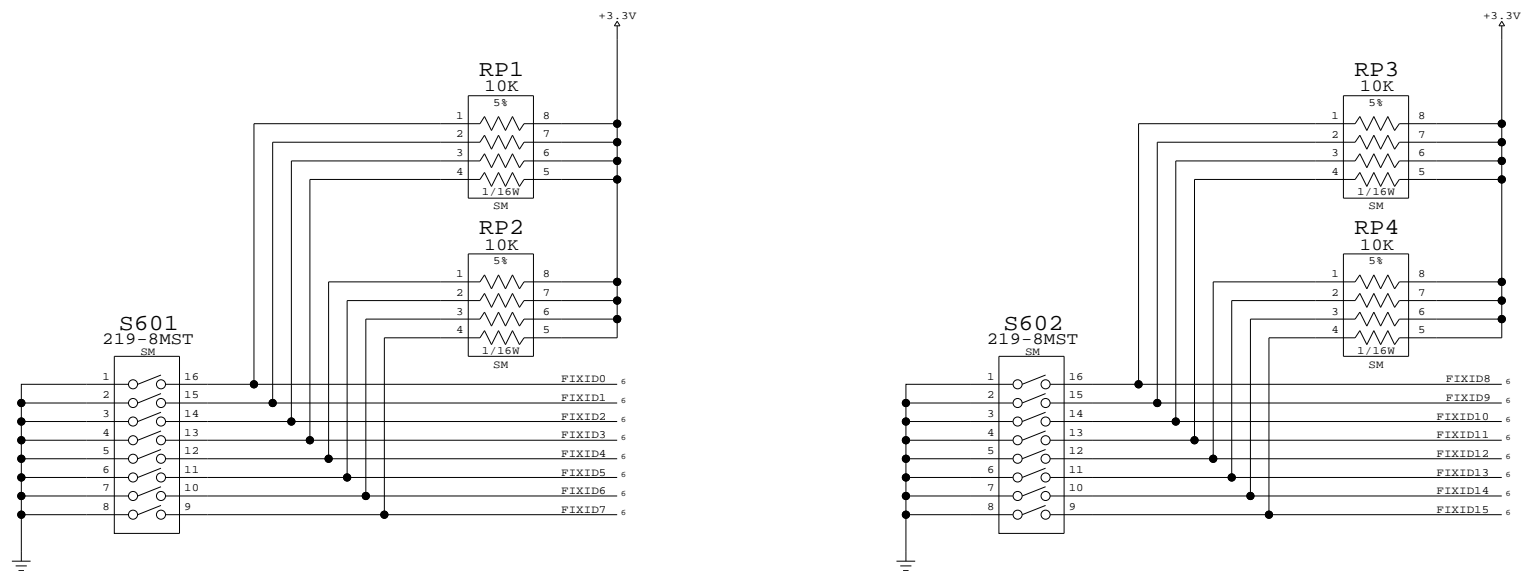
NOTICE OF PROPRIETARY PROPERTY
 THE INFORMATION CONTAINED HEREIN IS THE PROPRIETARY PROPERTY OF APPLE COMPUTER, INC. THE POSSESSOR AGREES TO THE FOLLOWING
 I TO MAINTAIN THE DOCUMENT IN CONFIDENCE
 II NOT TO REPRODUCE OR COPY IT
 III NOT TO REVEAL OR PUBLISH IN WHOLE OR PART

	SIZE	DRAWING NUMBER	REV.
	D	951-0292	3
SCALE	SHT	OF	
NONE	6	26	

FIXTURE POWER ON LEDS



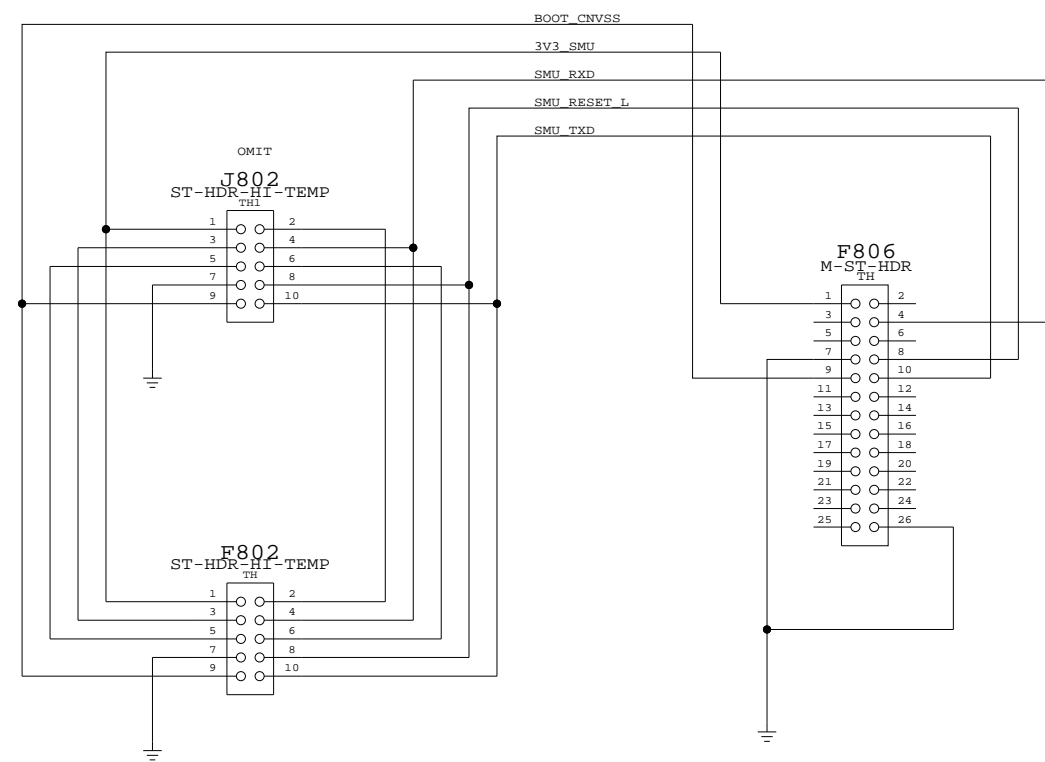
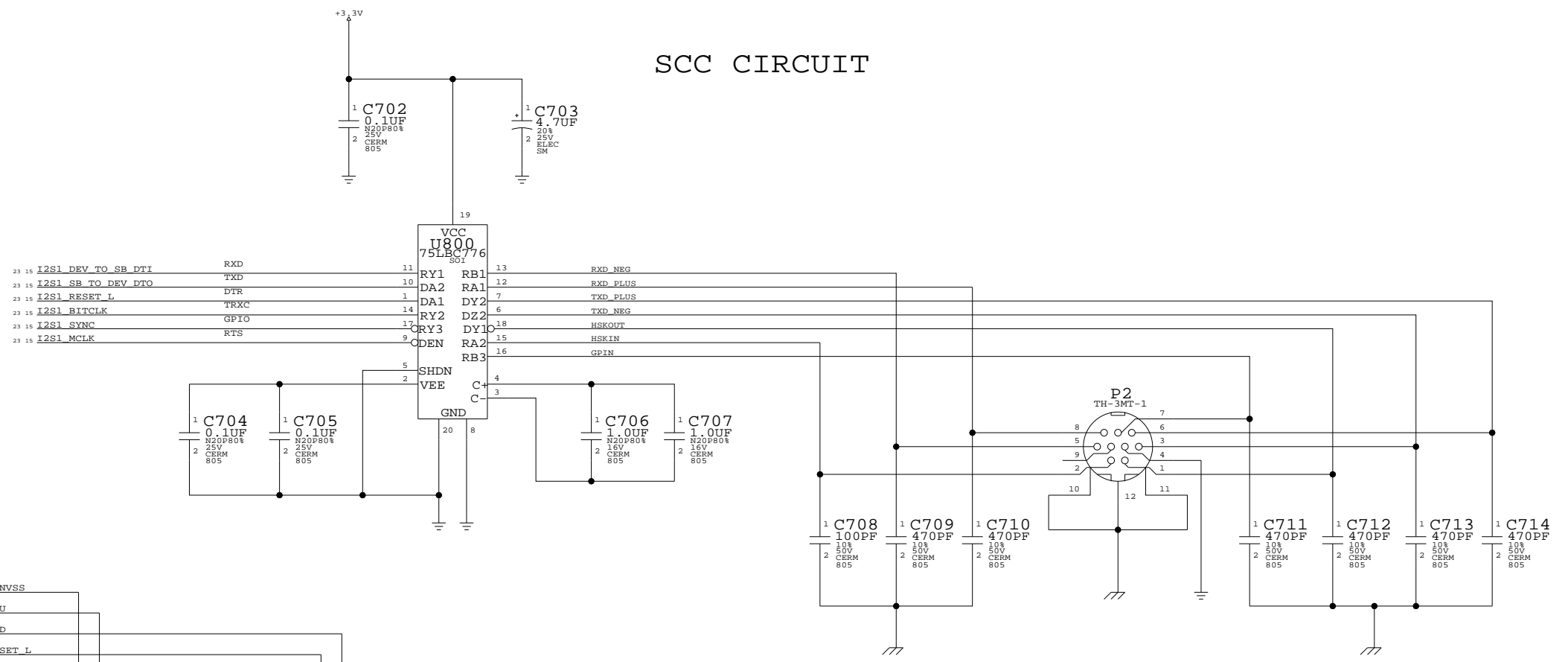
FIXTURE ID SWITCHES



NOTICE OF PROPRIETARY PROPERTY
 THE INFORMATION CONTAINED HEREIN IS THE PROPRIETARY PROPERTY OF APPLE COMPUTER, INC. THE POSSESSOR AGREES TO THE FOLLOWING
 I TO MAINTAIN THE DOCUMENT IN CONFIDENCE
 II NOT TO REPRODUCE OR COPY IT
 III NOT TO REVEAL OR PUBLISH IN WHOLE OR PART

	SIZE	DRAWING NUMBER	REV.
	D	951-0292	3
SCALE	SHT	OF	
NONE	7	26	

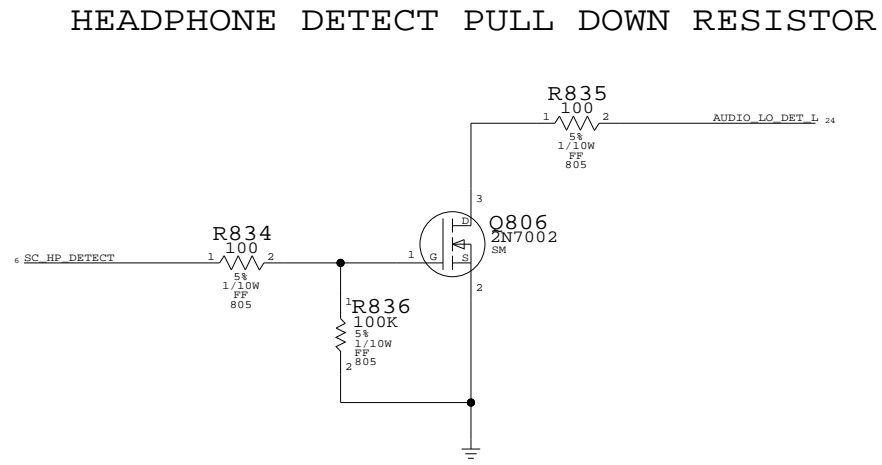
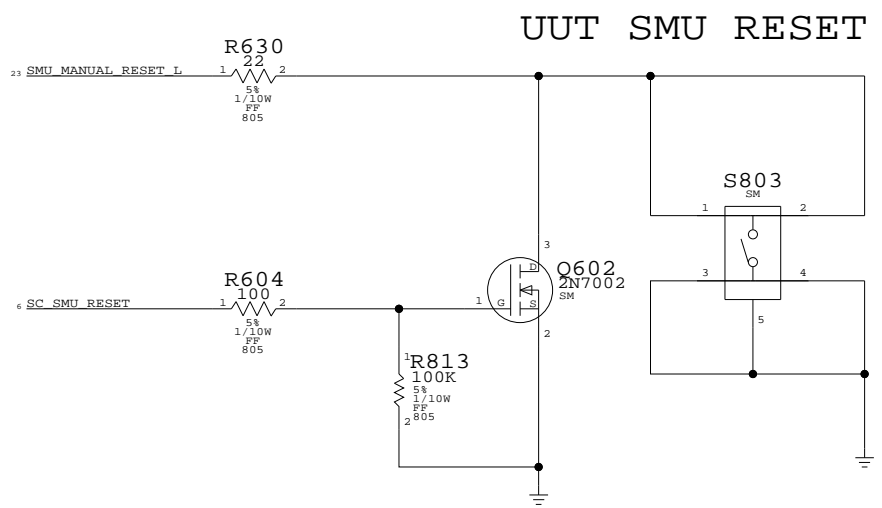
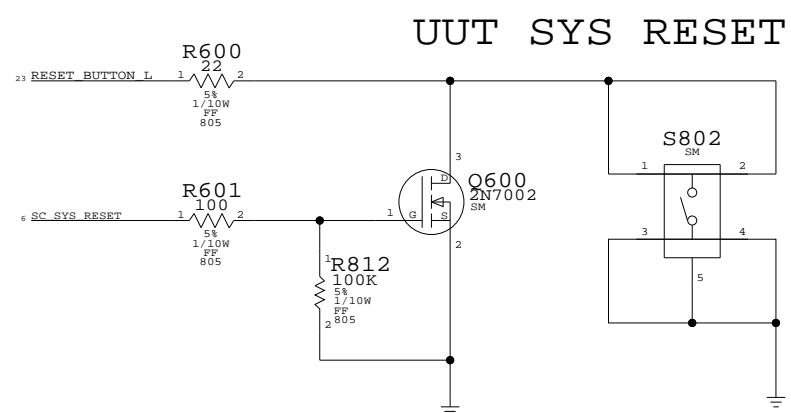
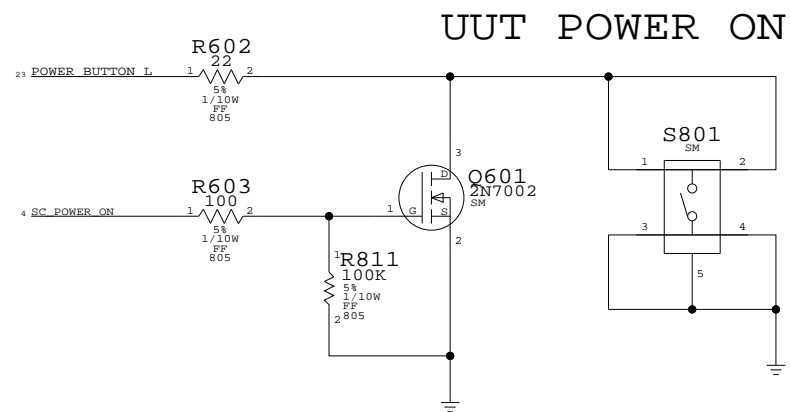
SCC CIRCUIT



SMU DOWNLOAD CONNECTOR

NOTICE OF PROPRIETARY PROPERTY
 THE INFORMATION CONTAINED HEREIN IS THE PROPRIETARY PROPERTY OF APPLE COMPUTER, INC. THE POSSESSOR AGREES TO THE FOLLOWING
 I TO MAINTAIN THE DOCUMENT IN CONFIDENCE
 II NOT TO REPRODUCE OR COPY IT
 III NOT TO REVEAL OR PUBLISH IN WHOLE OR PART

	SIZE	DRAWING NUMBER	REV.
	D	951-0292	3
SCALE	SHT	OF	
NONE	8	26	



NOTICE OF PROPRIETARY PROPERTY
 THE INFORMATION CONTAINED HEREIN IS THE PROPRIETARY PROPERTY OF APPLE COMPUTER, INC. THE POSSESSOR AGREES TO THE FOLLOWING
 I TO MAINTAIN THE DOCUMENT IN CONFIDENCE
 II NOT TO REPRODUCE OR COPY IT
 III NOT TO REVEAL OR PUBLISH IN WHOLE OR PART

APPLE COMPUTER INC.	SIZE D	DRAWING NUMBER 951-0292	REV. 3
	SCALE NONE	SHEET 9	OF 26

8

7

6

5

4

3

2

1

THIS PAGE BLANK

D

D

C

C

B

B

A

A


NOTICE OF PROPRIETARY PROPERTY

THE INFORMATION CONTAINED HEREIN IS THE PROPRIETARY PROPERTY OF APPLE COMPUTER, INC. THE POSSESSOR AGREES TO THE FOLLOWING

I TO MAINTAIN THE DOCUMENT IN CONFIDENCE

II NOT TO REPRODUCE OR COPY IT

III NOT TO REVEAL OR PUBLISH IN WHOLE OR PART

 APPLE COMPUTER INC.	SIZE D	DRAWING NUMBER 951-0292	REV. 3
	SCALE NONE	SHEET 10 OF 26	

8

7

6

5

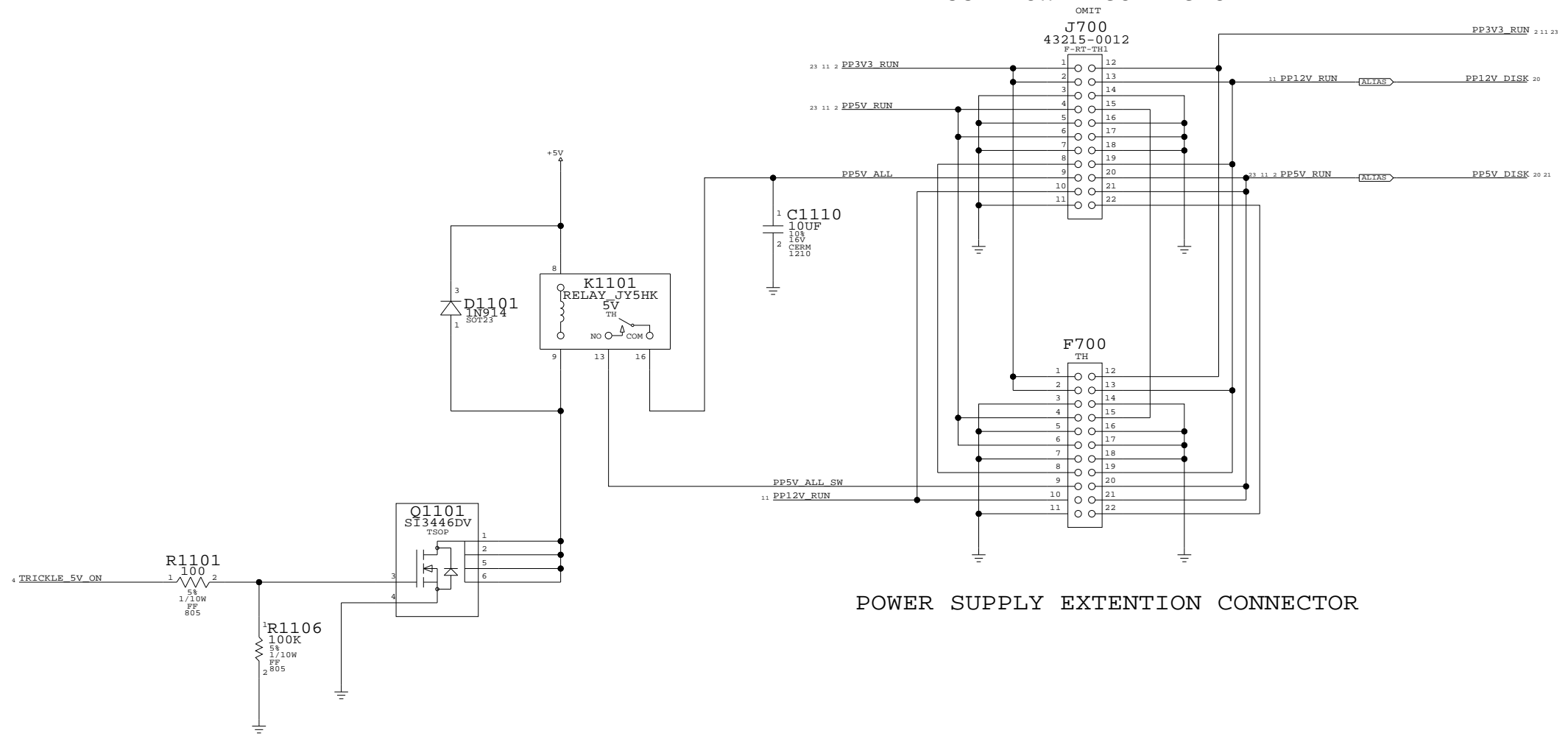
4

3

2

1

UUT POWER CONNECTOR



POWER SUPPLY EXTENTION CONNECTOR

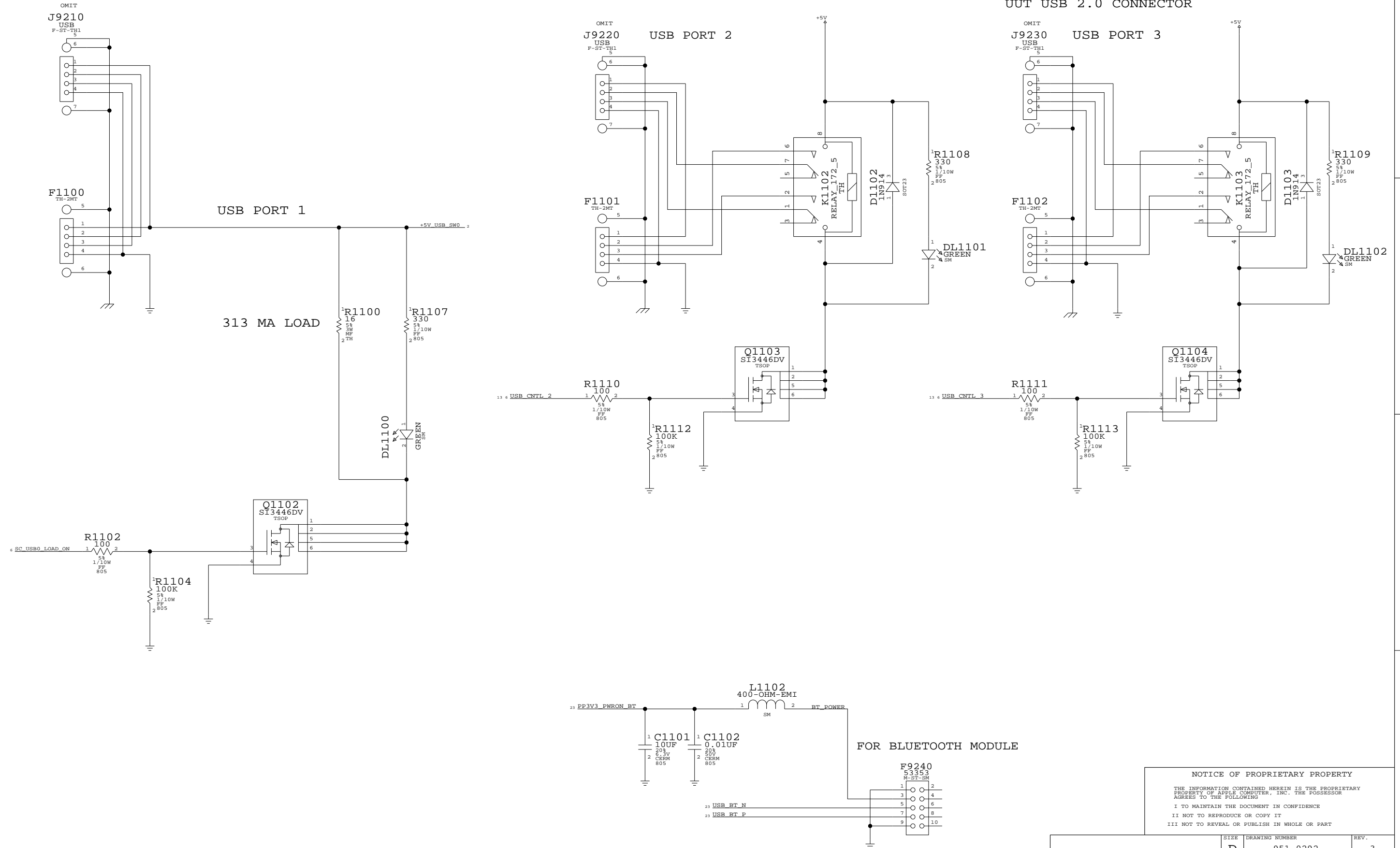
NOTICE OF PROPRIETARY PROPERTY
 THE INFORMATION CONTAINED HEREIN IS THE PROPRIETARY PROPERTY OF APPLE COMPUTER, INC. THE POSSESSOR AGREES TO THE FOLLOWING
 I TO MAINTAIN THE DOCUMENT IN CONFIDENCE
 II NOT TO REPRODUCE OR COPY IT
 III NOT TO REVEAL OR PUBLISH IN WHOLE OR PART

	SIZE	DRAWING NUMBER	REV.
	D	951-0292	3
SCALE	SHT	OF	
NONE	11	26	

USB CIRCUIT

UUT USB 2.0 CONNECTOR

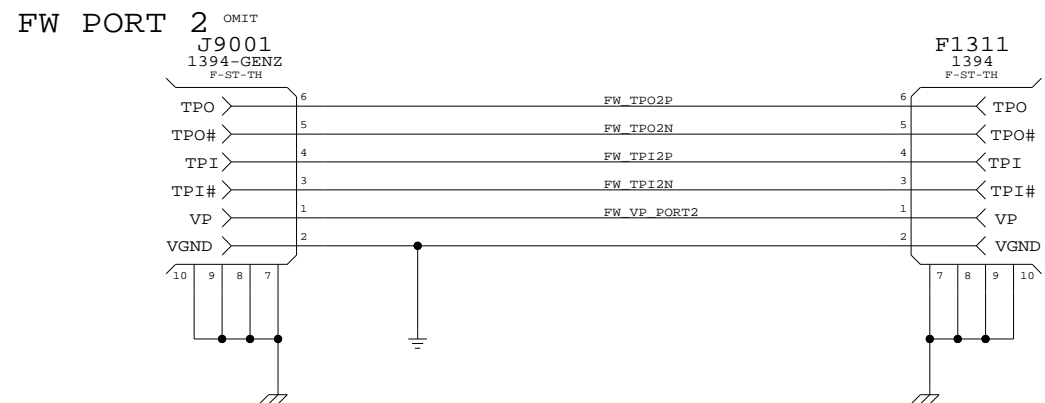
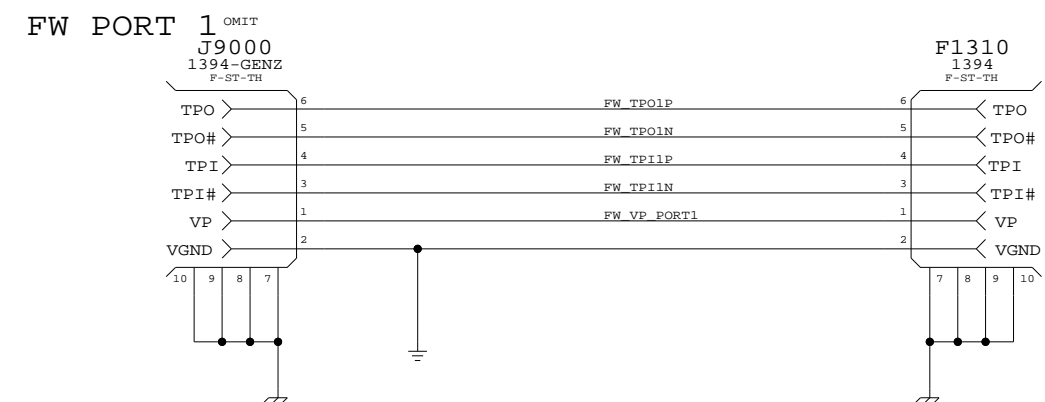
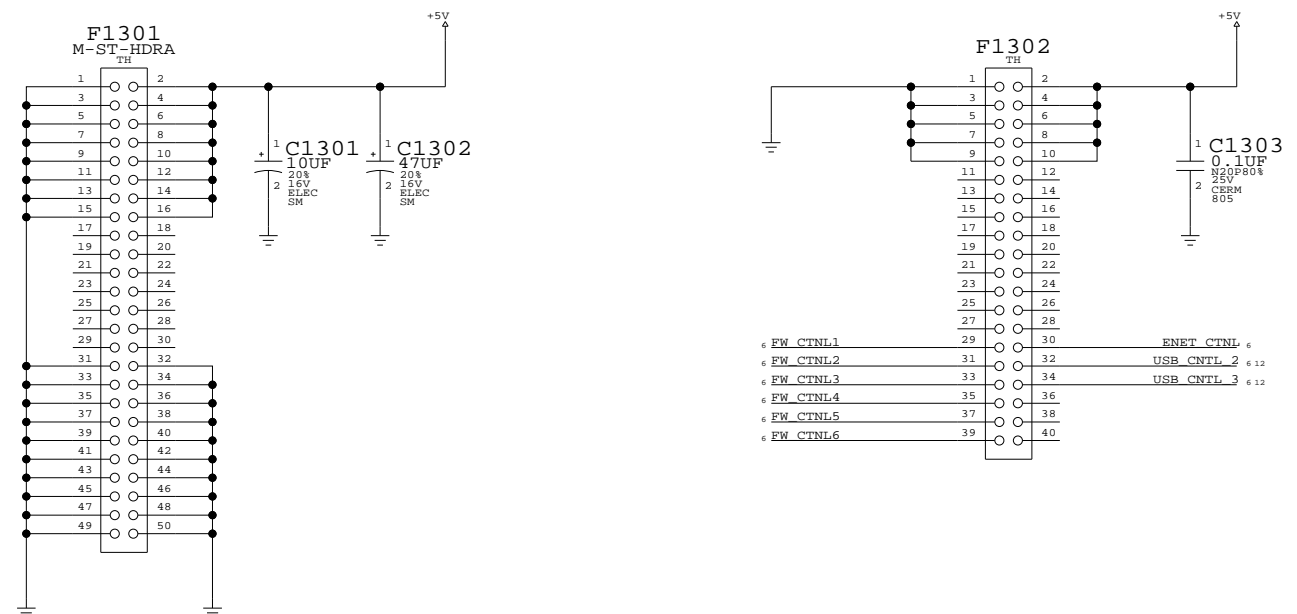
UUT USB 2.0 CONNECTOR



NOTICE OF PROPRIETARY PROPERTY
 THE INFORMATION CONTAINED HEREIN IS THE PROPRIETARY PROPERTY OF APPLE COMPUTER, INC. THE POSSESSOR AGREES TO THE FOLLOWING
 I TO MAINTAIN THE DOCUMENT IN CONFIDENCE
 II NOT TO REPRODUCE OR COPY IT
 III NOT TO REVEAL OR PUBLISH IN WHOLE OR PART

	SIZE	DRAWING NUMBER	REV.
	D	951-0292	3
SCALE	SHT	OF	
NONE	12	26	

ETHERNET SWITCHING (EFU_MUX)

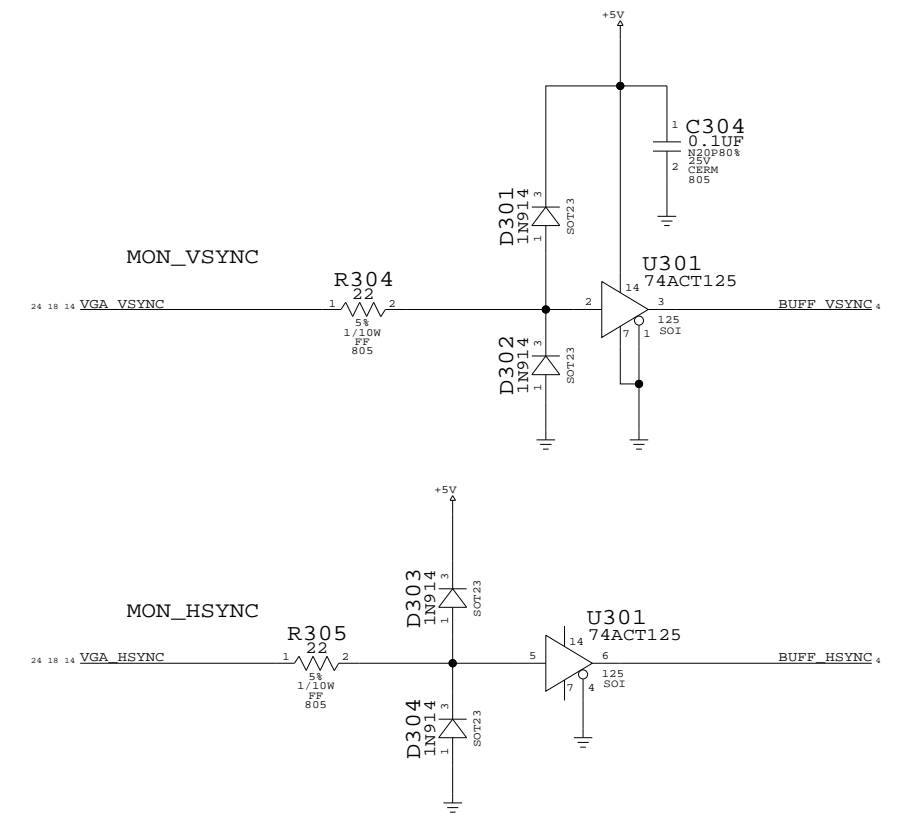
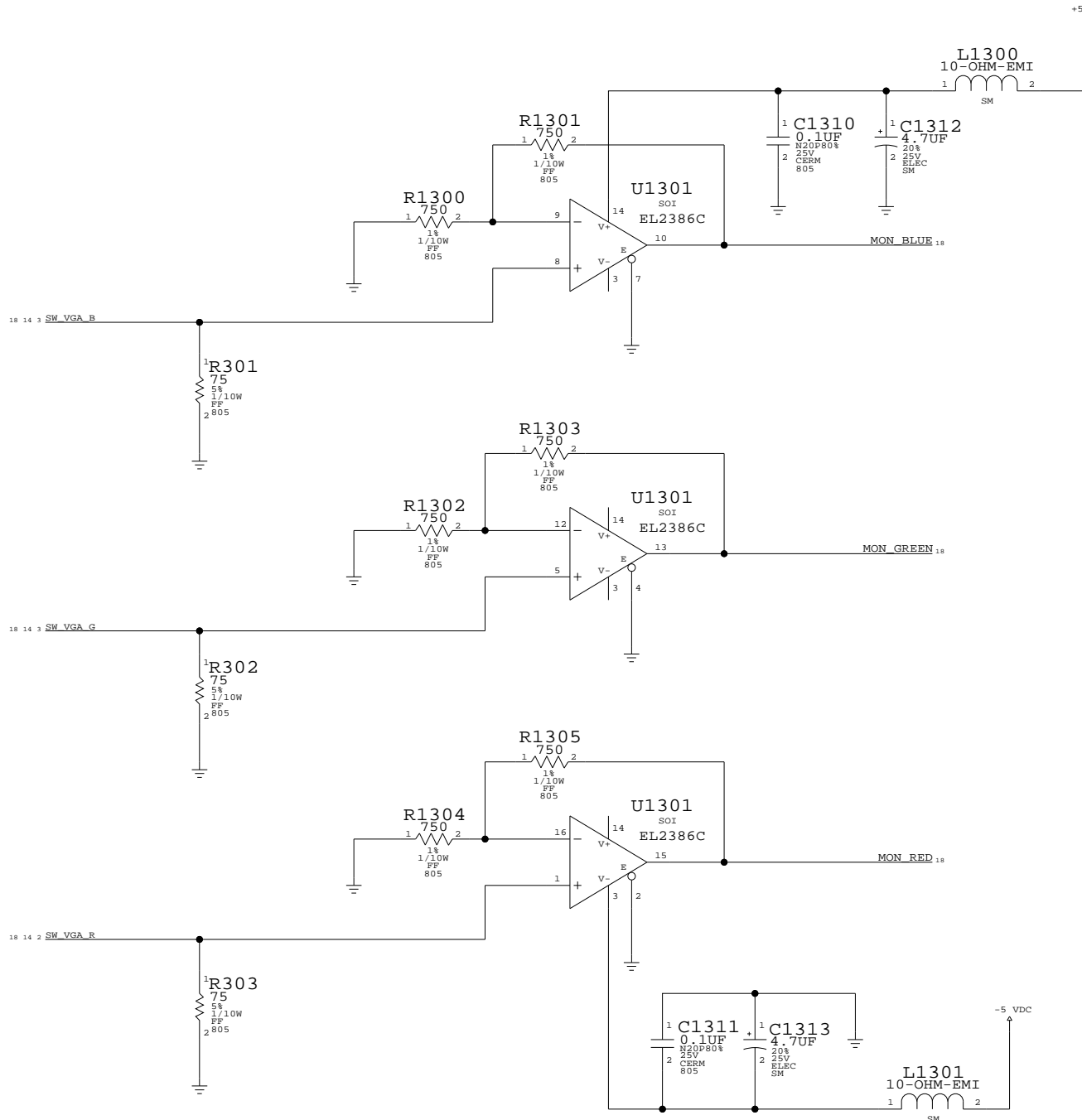


NOTICE OF PROPRIETARY PROPERTY

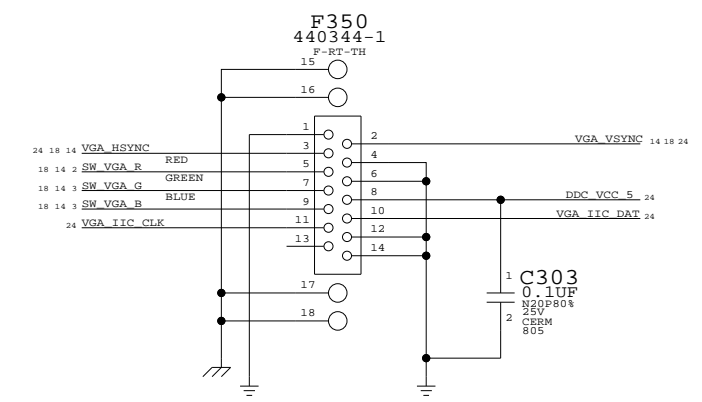
THE INFORMATION CONTAINED HEREIN IS THE PROPRIETARY PROPERTY OF APPLE COMPUTER, INC. THE POSSESSOR AGREES TO THE FOLLOWING

I TO MAINTAIN THE DOCUMENT IN CONFIDENCE
 II NOT TO REPRODUCE OR COPY IT
 III NOT TO REVEAL OR PUBLISH IN WHOLE OR PART

APPLE COMPUTER INC.	SIZE D	DRAWING NUMBER 951-0292	REV. 3
	SCALE NONE	SHEET 13	OF 26



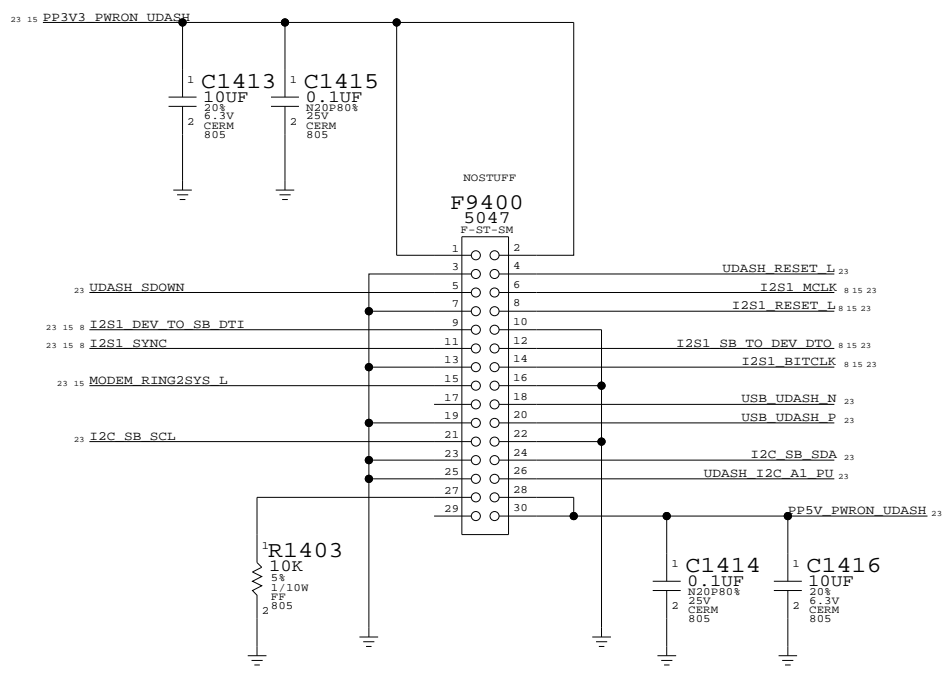
NTSC DONGLE TEST CONNECTOR



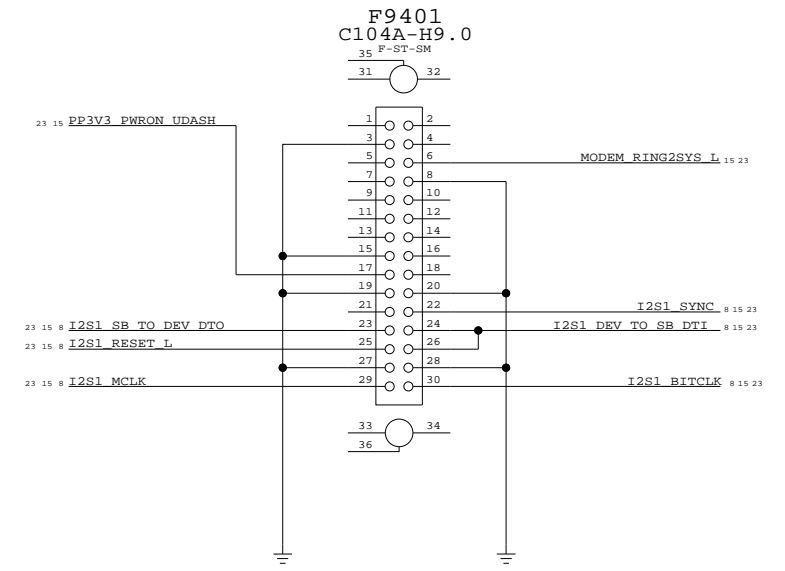
NOTICE OF PROPRIETARY PROPERTY
 THE INFORMATION CONTAINED HEREIN IS THE PROPRIETARY PROPERTY OF APPLE COMPUTER, INC. THE POSSESSOR AGREES TO THE FOLLOWING
 I TO MAINTAIN THE DOCUMENT IN CONFIDENCE
 II NOT TO REPRODUCE OR COPY IT
 III NOT TO REVEAL OR PUBLISH IN WHOLE OR PART

	SIZE	DRAWING NUMBER	REV.
	D	951-0292	3
SCALE	SHEET	OF	
NONE	14	26	

DASH MODEM CONNECTOR



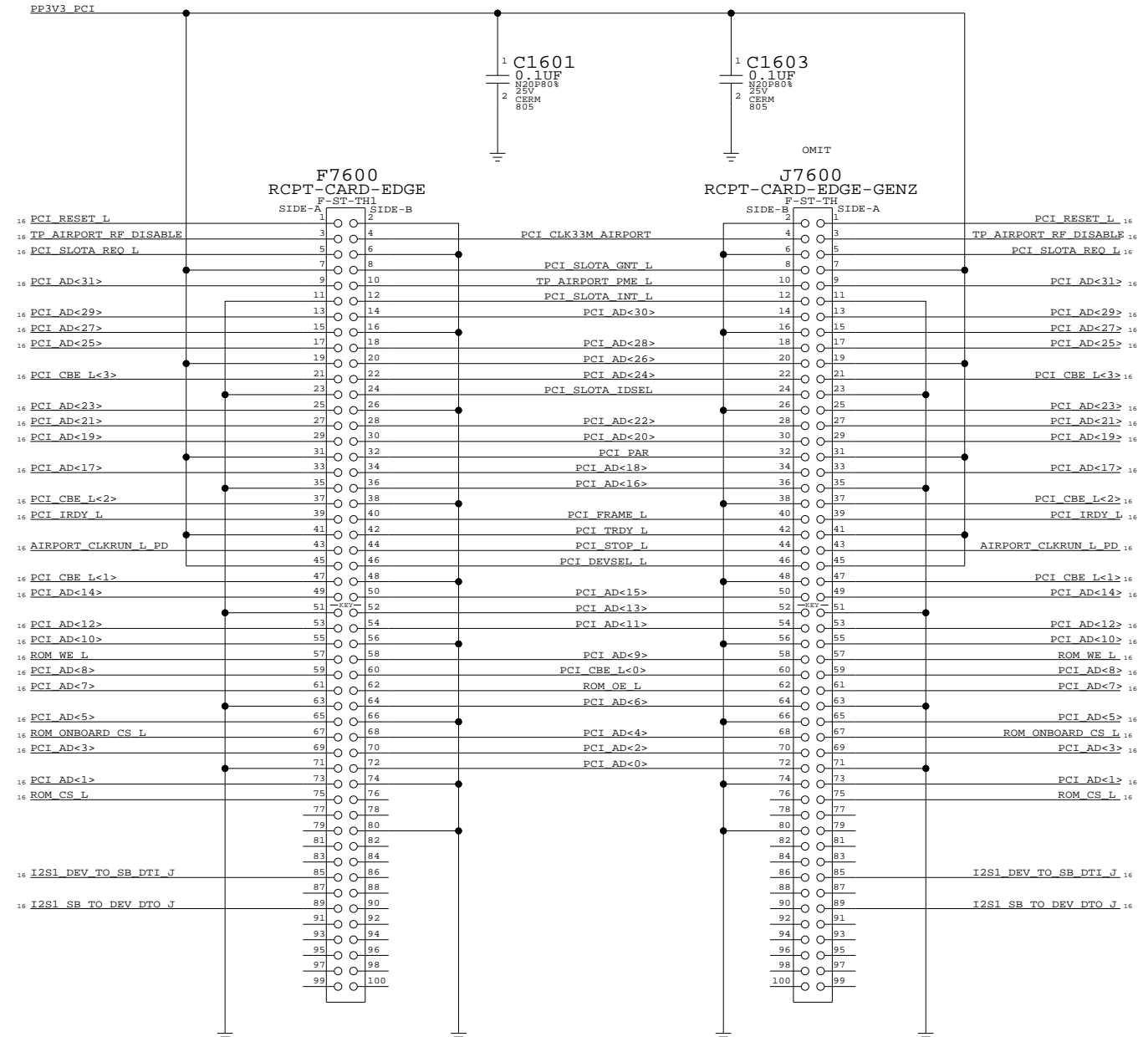
SOFT MODEM



NOTICE OF PROPRIETARY PROPERTY
 THE INFORMATION CONTAINED HEREIN IS THE PROPRIETARY PROPERTY OF APPLE COMPUTER, INC. THE POSSESSOR AGREES TO THE FOLLOWING
 I TO MAINTAIN THE DOCUMENT IN CONFIDENCE
 II NOT TO REPRODUCE OR COPY IT
 III NOT TO REVEAL OR PUBLISH IN WHOLE OR PART

	SIZE	DRAWING NUMBER	REV.
	D	951-0292	3
SCALE	SHEET		OF
NONE	15		26

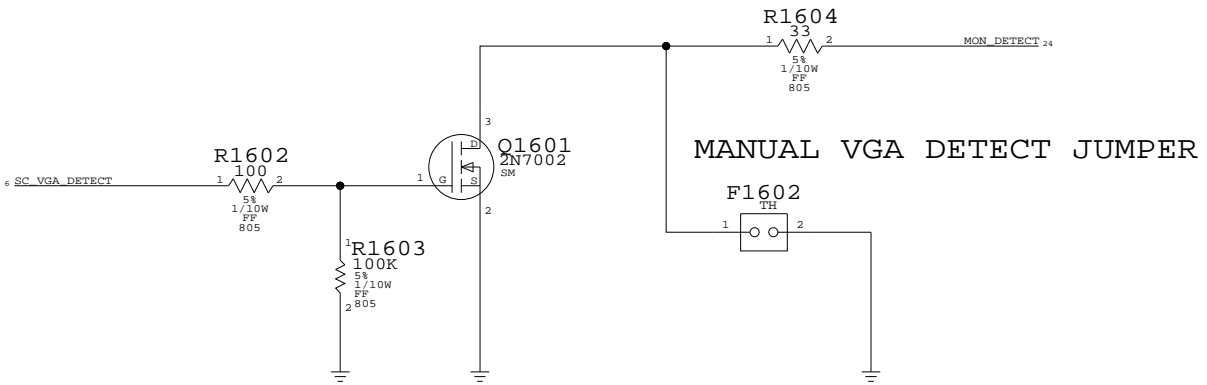
AIRPORT CARD CONNECTOR



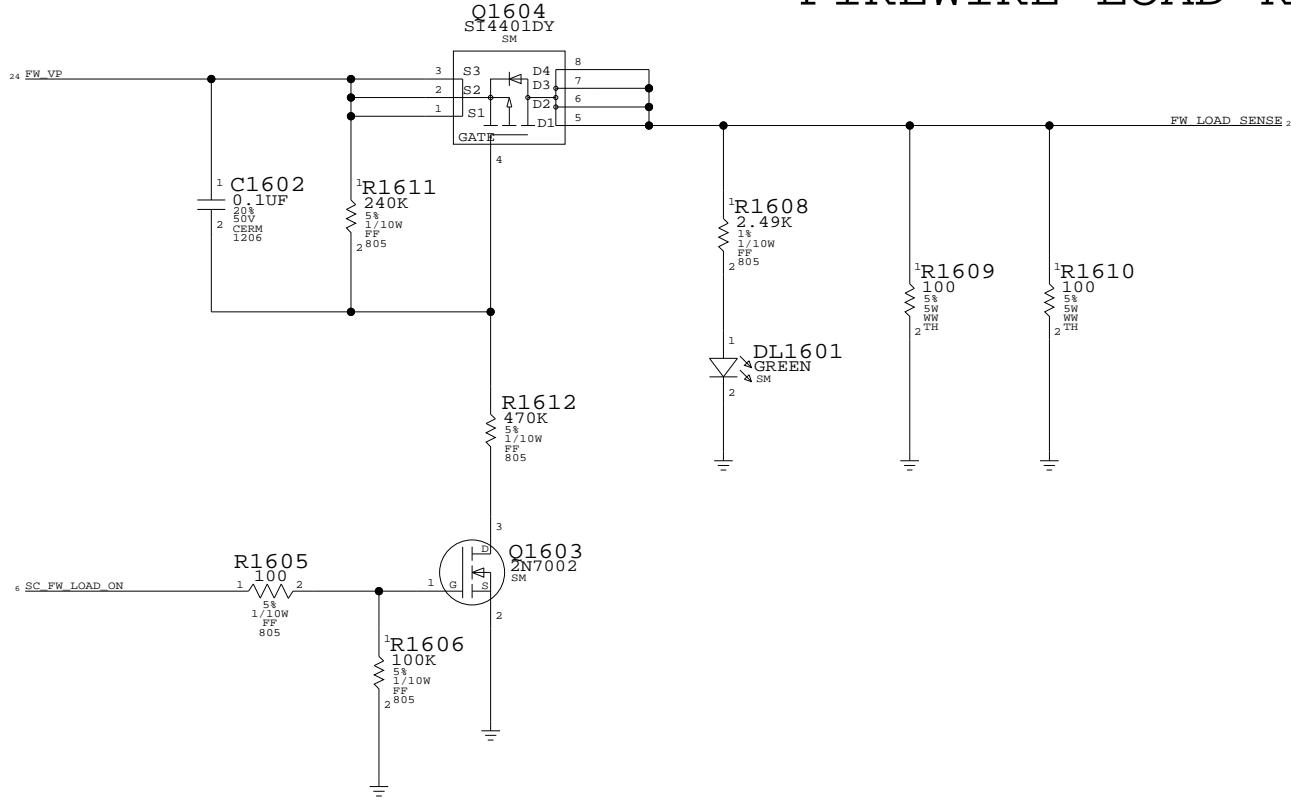
NOTICE OF PROPRIETARY PROPERTY
 THE INFORMATION CONTAINED HEREIN IS THE PROPRIETARY PROPERTY OF APPLE COMPUTER, INC. THE POSSESSOR AGREES TO THE FOLLOWING
 I TO MAINTAIN THE DOCUMENT IN CONFIDENCE
 II NOT TO REPRODUCE OR COPY IT
 III NOT TO REVEAL OR PUBLISH IN WHOLE OR PART

	SIZE	DRAWING NUMBER	REV.
	D	951-0292	3
SCALE	SHT	OF	
NONE	16	26	

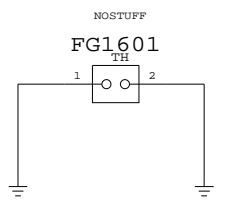
VGA DETECT FOR S-VIDEO/COMPOSITE AND SVGA MONITOR



FIREWIRE LOAD RESISTOR



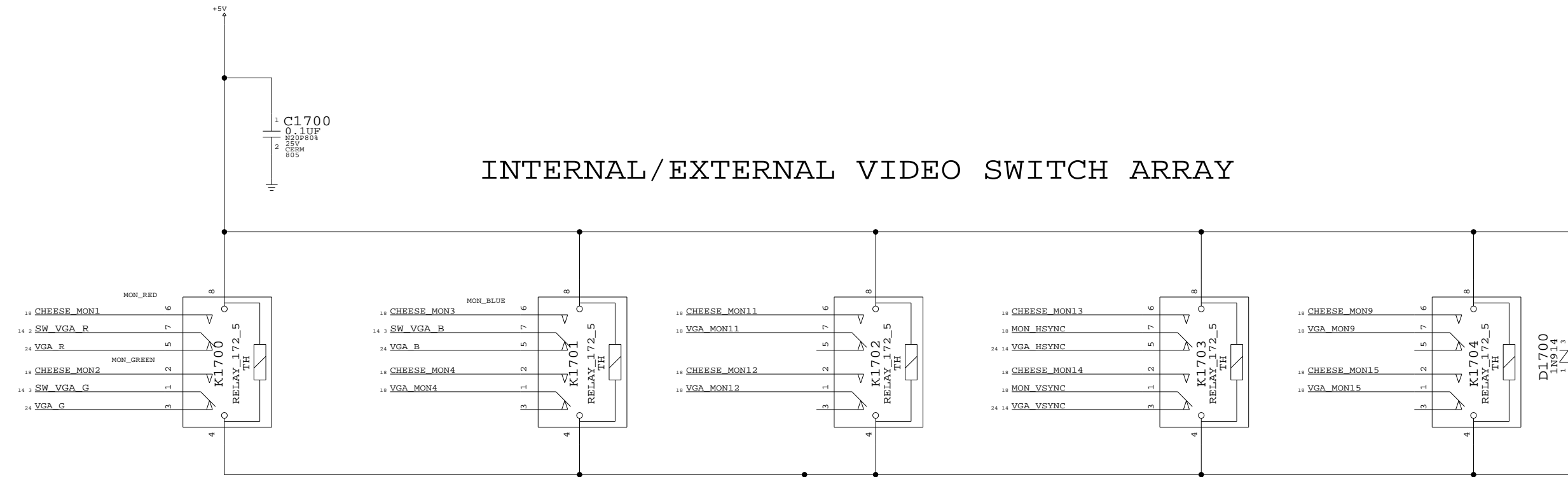
ADD WIRE LOOP



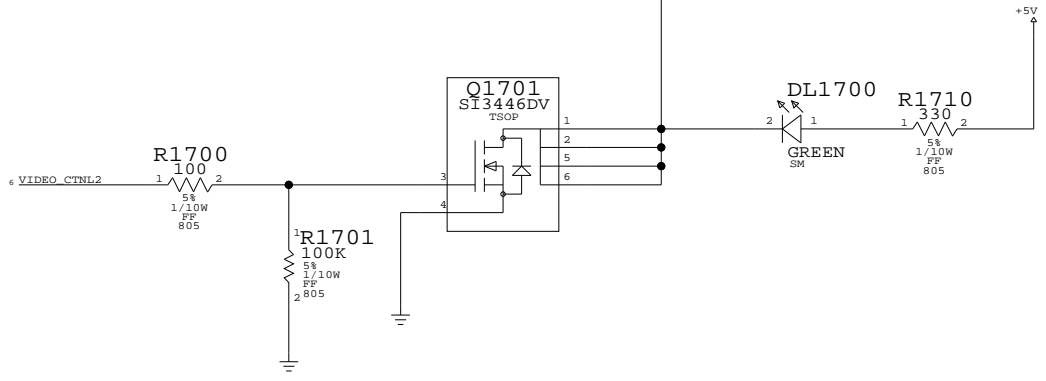
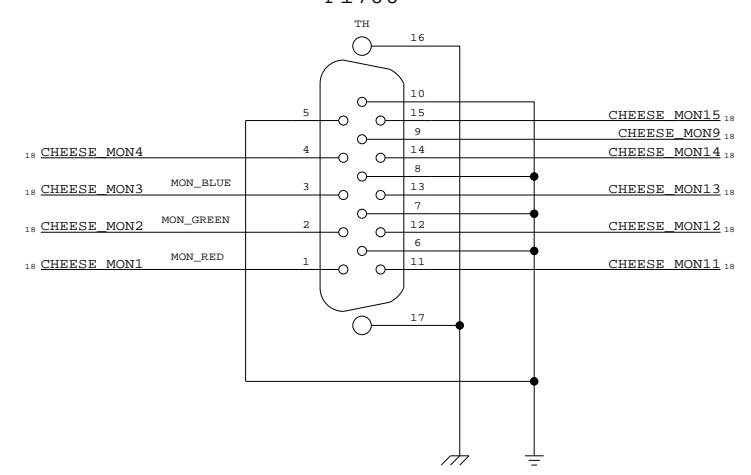
NOTICE OF PROPRIETARY PROPERTY
 THE INFORMATION CONTAINED HEREIN IS THE PROPRIETARY PROPERTY OF APPLE COMPUTER, INC. THE POSSESSOR AGREES TO THE FOLLOWING
 I TO MAINTAIN THE DOCUMENT IN CONFIDENCE
 II NOT TO REPRODUCE OR COPY IT
 III NOT TO REVEAL OR PUBLISH IN WHOLE OR PART

	SIZE	DRAWING NUMBER	REV.
	D	951-0292	3
SCALE	SHEET	OF	
NONE	17	26	

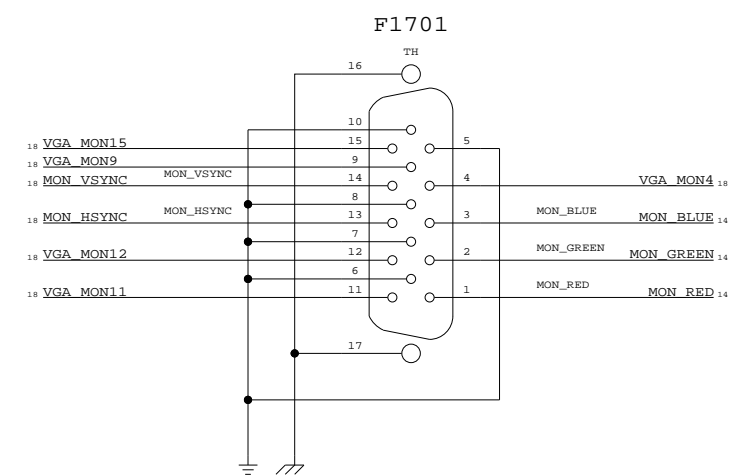
INTERNAL/EXTERNAL VIDEO SWITCH ARRAY



CHEESE_BOX



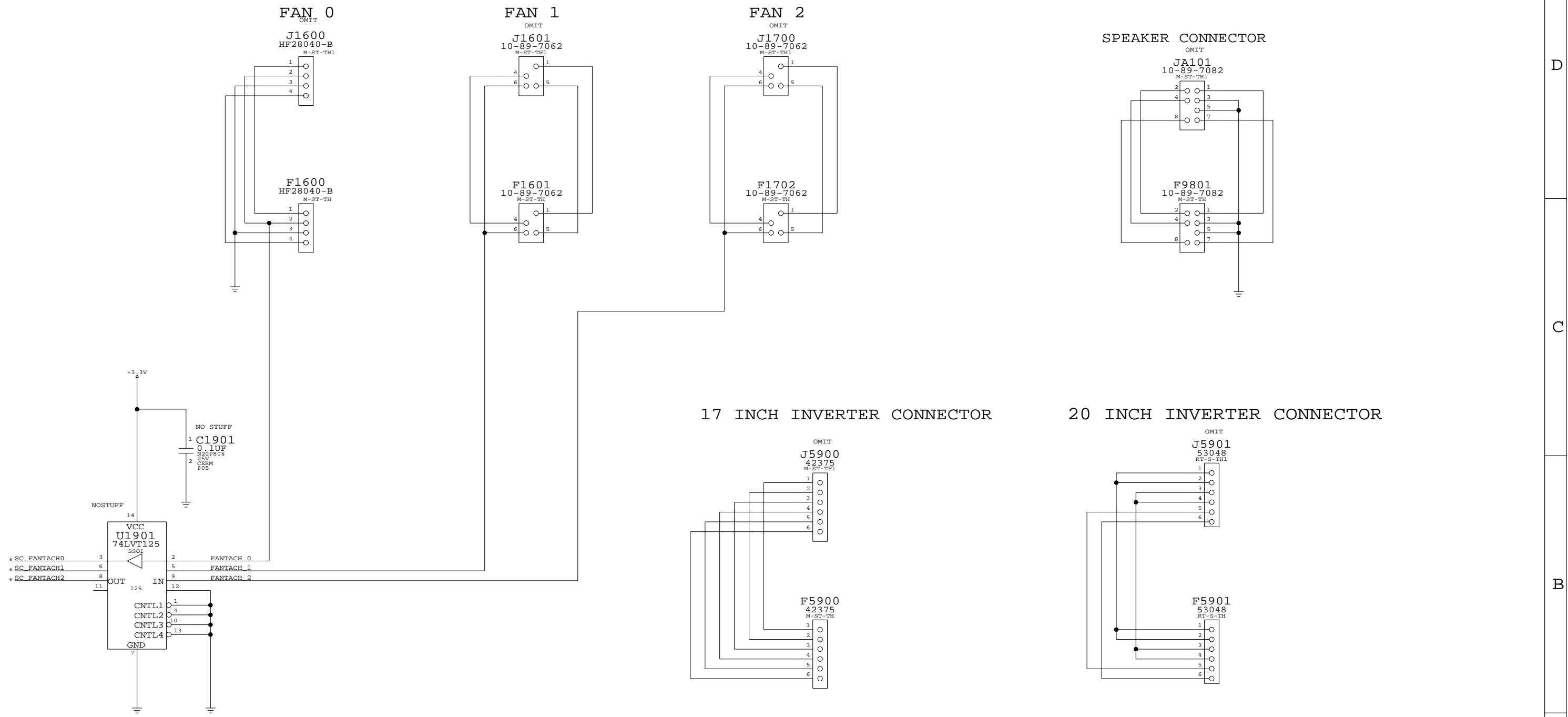
VGA_MON



NOTICE OF PROPRIETARY PROPERTY
 THE INFORMATION CONTAINED HEREIN IS THE PROPRIETARY PROPERTY OF APPLE COMPUTER, INC. THE POSSESSOR AGREES TO THE FOLLOWING
 I TO MAINTAIN THE DOCUMENT IN CONFIDENCE
 II NOT TO REPRODUCE OR COPY IT
 III NOT TO REVEAL OR PUBLISH IN WHOLE OR PART

	SIZE	DRAWING NUMBER	REV.
	D	951-0292	3
SCALE	SHT	OF	
NONE	18	26	

8 7 6 5 4 3 2 1

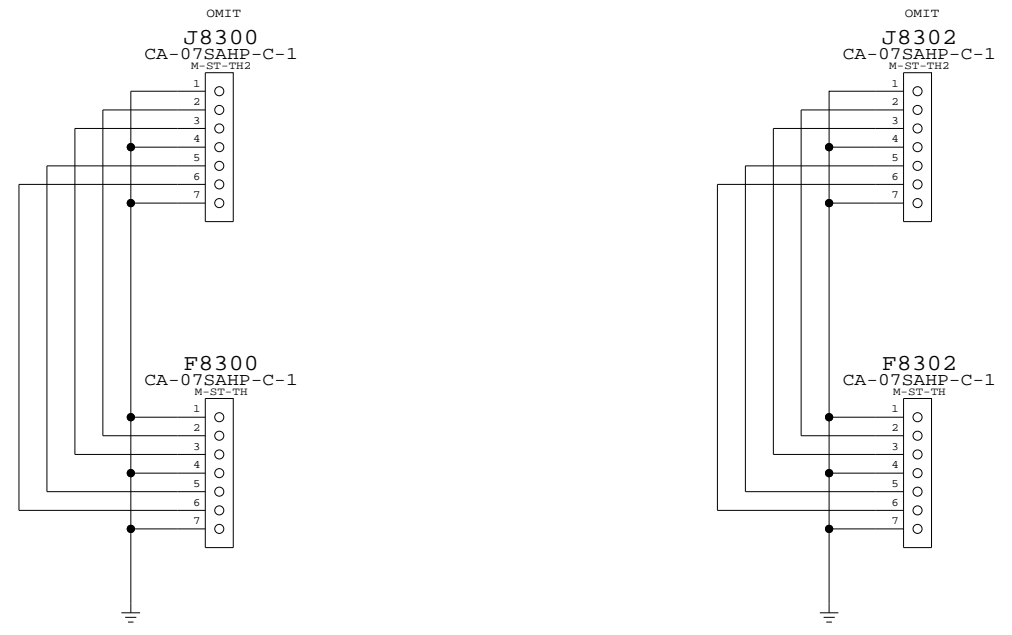


NOTICE OF PROPRIETARY PROPERTY
 THE INFORMATION CONTAINED HEREIN IS THE PROPRIETARY PROPERTY OF APPLE COMPUTER, INC. THE POSSESSOR AGREES TO THE FOLLOWING
 I TO MAINTAIN THE DOCUMENT IN CONFIDENCE
 II NOT TO REPRODUCE OR COPY IT
 III NOT TO REVEAL OR PUBLISH IN WHOLE OR PART

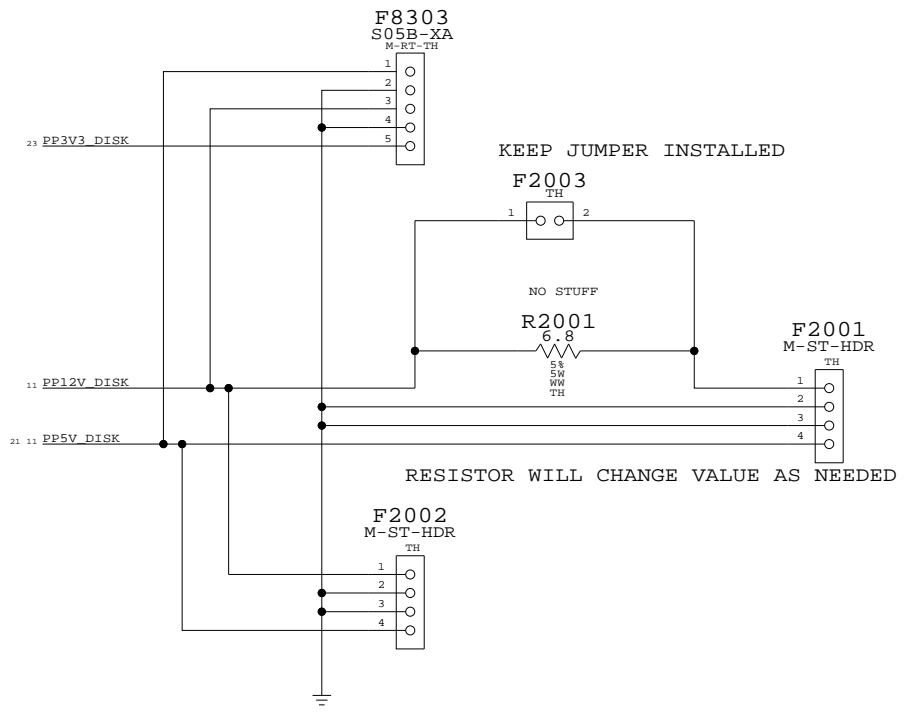
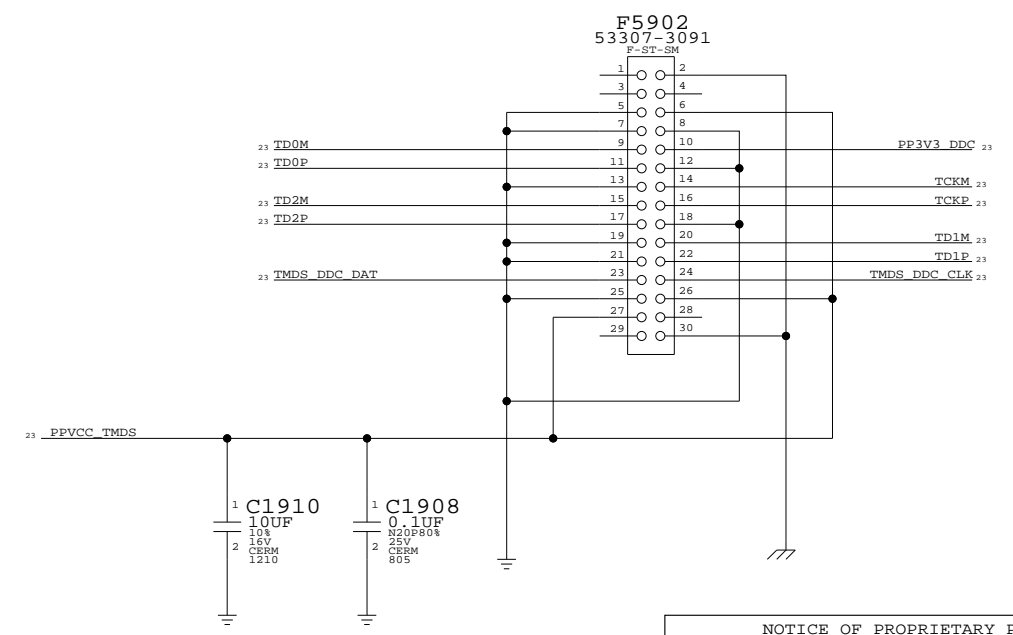
APPLE COMPUTER INC.	SIZE D	DRAWING NUMBER 951-0292	REV. 3
	SCALE NONE	SHEET 19	OF 26

8 7 6 5 4 3 2 1

SATA HARD DRIVE CONNECTOR



TMDS CONNECTOR



NOTICE OF PROPRIETARY PROPERTY
THE INFORMATION CONTAINED HEREIN IS THE PROPRIETARY PROPERTY OF APPLE COMPUTER, INC. THE POSSESSOR AGREES TO THE FOLLOWING
I TO MAINTAIN THE DOCUMENT IN CONFIDENCE
II NOT TO REPRODUCE OR COPY IT
III NOT TO REVEAL OR PUBLISH IN WHOLE OR PART

	SIZE	DRAWING NUMBER	REV.
	D	951-0292	3
SCALE	SHT		OF
NONE	20		26

8

7

6

5

4

3

2

1

D

D

C

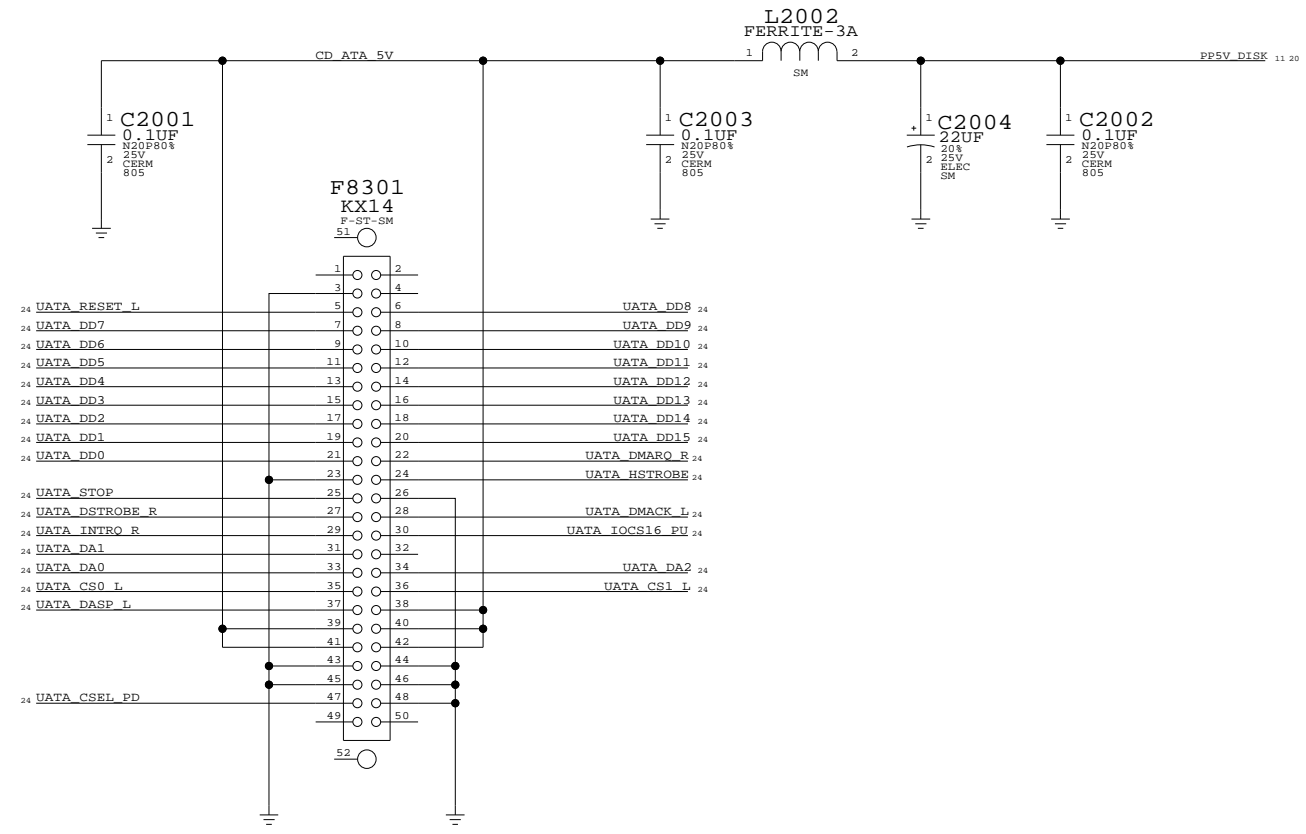
C

B

B

A

A



CONNECTOR FOR CD

NOTICE OF PROPRIETARY PROPERTY
 THE INFORMATION CONTAINED HEREIN IS THE PROPRIETARY PROPERTY OF APPLE COMPUTER, INC. THE POSSESSOR AGREES TO THE FOLLOWING
 I TO MAINTAIN THE DOCUMENT IN CONFIDENCE
 II NOT TO REPRODUCE OR COPY IT
 III NOT TO REVEAL OR PUBLISH IN WHOLE OR PART

	SIZE	DRAWING NUMBER	REV.
	D	951-0292	3
SCALE	SHT	OF	
NONE	21	26	

8

7

6

5

4

3

2

1

8

7

6

5

4

3

2

1

D

D

C

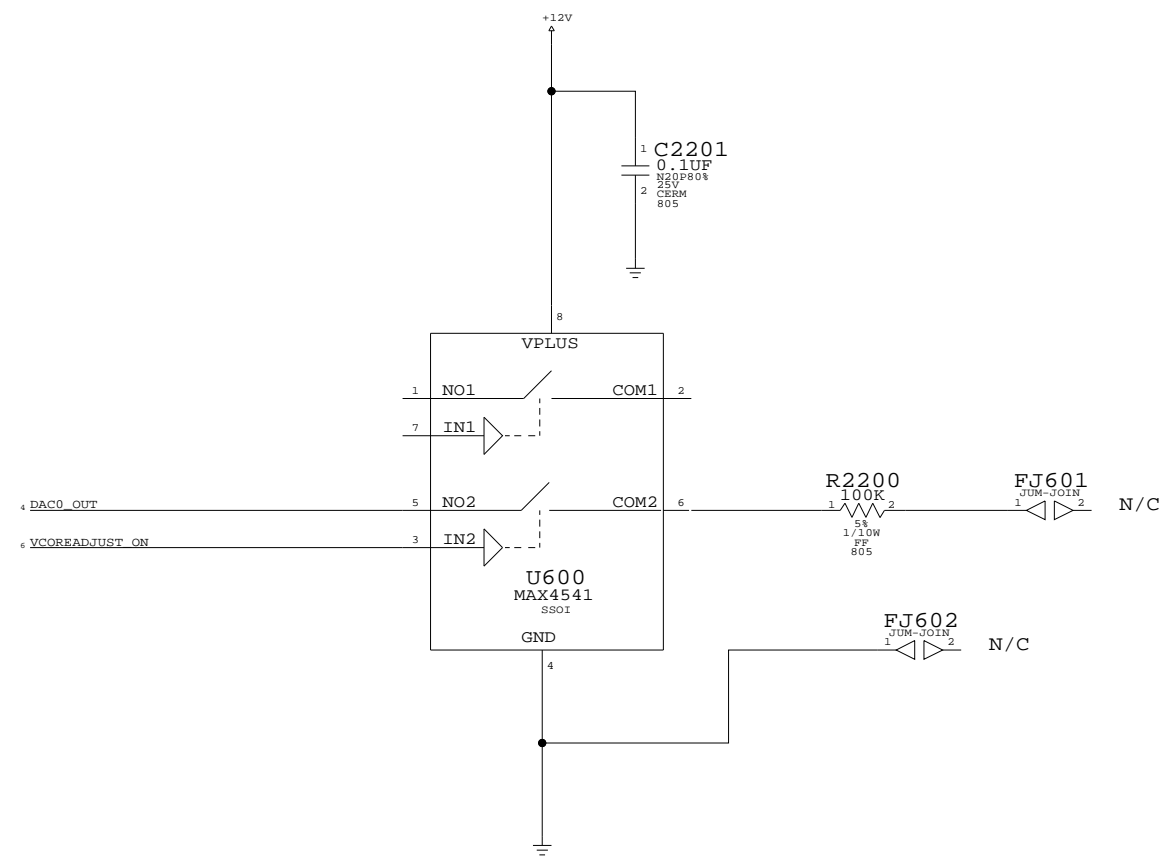
C

B

B

A

A



NOTICE OF PROPRIETARY PROPERTY
 THE INFORMATION CONTAINED HEREIN IS THE PROPRIETARY PROPERTY OF APPLE COMPUTER, INC. THE POSSESSOR AGREES TO THE FOLLOWING
 I TO MAINTAIN THE DOCUMENT IN CONFIDENCE
 II NOT TO REPRODUCE OR COPY IT
 III NOT TO REVEAL OR PUBLISH IN WHOLE OR PART

	SIZE	DRAWING NUMBER	REV.
	D	951-0292	3
SCALE	SHT	OF	
NONE	22	26	

8

7

6

5

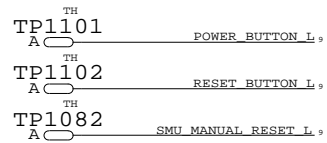
4

3

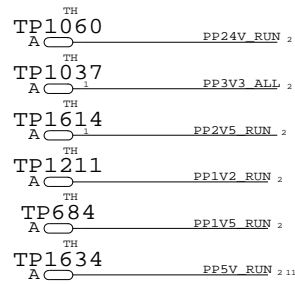
2

1

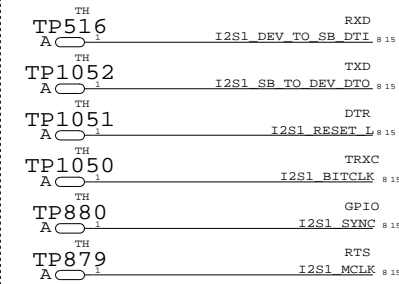
POWERON/RESET



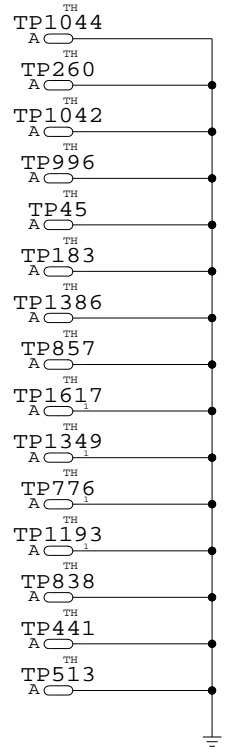
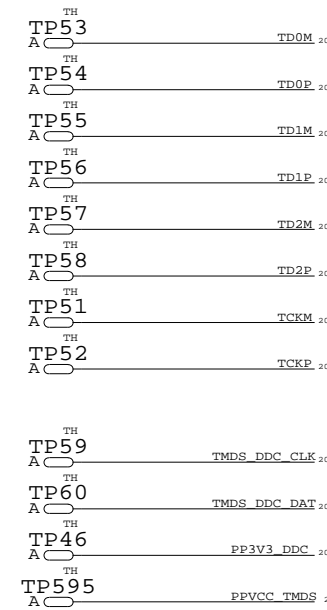
POWER & GND



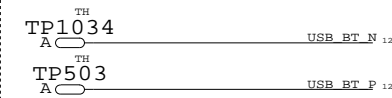
SERIAL PORT-UUT COMM



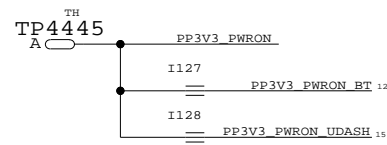
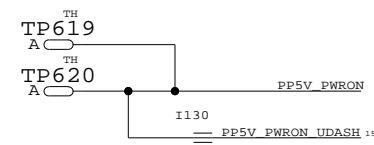
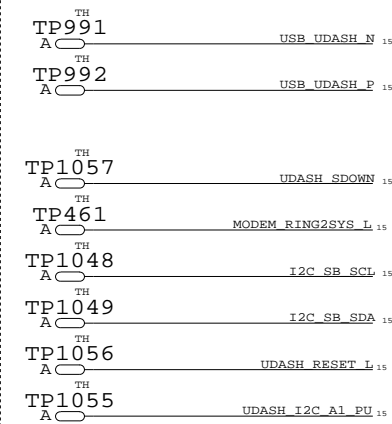
TMDS SIGNALS



BLUETOOTH/USB CONNECTIONS



USB/OTHER FOR MODEM

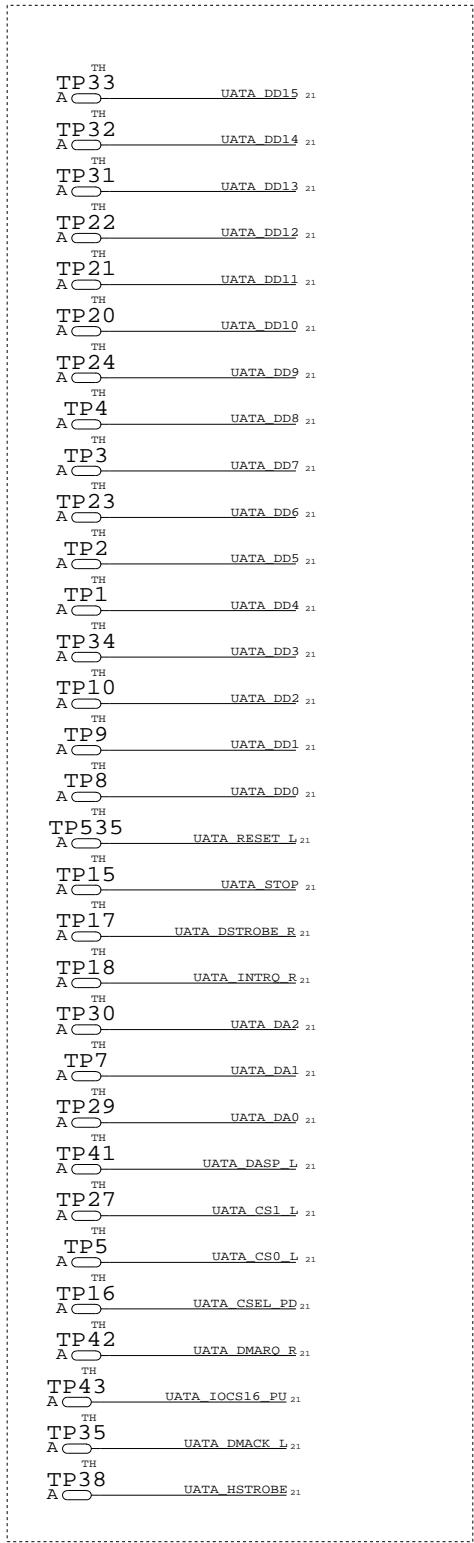


11 2 PP3V3_RUN ALIAS PP3V3_DISK 20

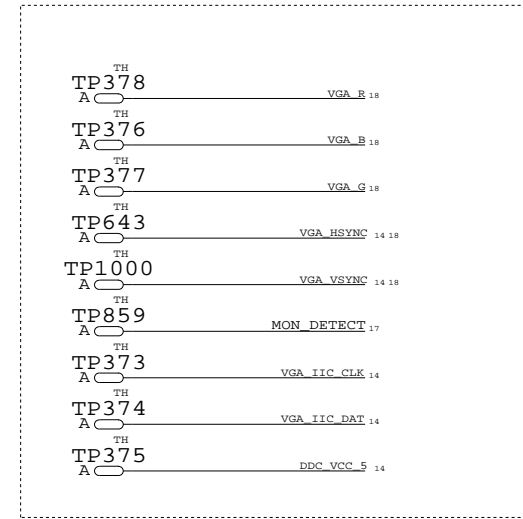
NOTICE OF PROPRIETARY PROPERTY
 THE INFORMATION CONTAINED HEREIN IS THE PROPRIETARY PROPERTY OF APPLE COMPUTER, INC. THE POSSESSOR AGREES TO THE FOLLOWING
 I TO MAINTAIN THE DOCUMENT IN CONFIDENCE
 II NOT TO REPRODUCE OR COPY IT
 III NOT TO REVEAL OR PUBLISH IN WHOLE OR PART

APPLE COMPUTER INC.	SIZE	DRAWING NUMBER	REV.
	D	951-0292	3
SCALE	SHEET		OF
NONE	23		26

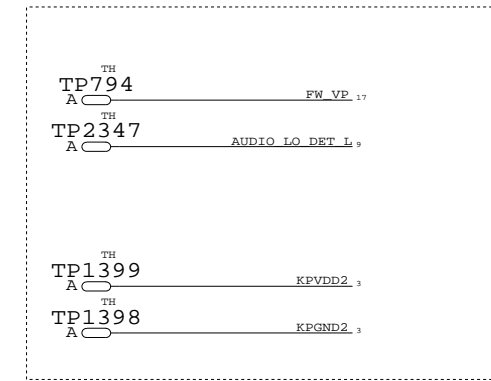
CD TP'S



EXTERNAL VIDEO



MISC SIGNALS



NOTICE OF PROPRIETARY PROPERTY
 THE INFORMATION CONTAINED HEREIN IS THE PROPRIETARY PROPERTY OF APPLE COMPUTER, INC. THE POSSESSOR AGREES TO THE FOLLOWING
 I TO MAINTAIN THE DOCUMENT IN CONFIDENCE
 II NOT TO REPRODUCE OR COPY IT
 III NOT TO REVEAL OR PUBLISH IN WHOLE OR PART

	SIZE	DRAWING NUMBER	REV.
	D	951-0292	3
SCALE	SHEET	OF	
NONE	24	26	

*** Signal Cross-Reference for the entire design ***

```

+SV_USB_SWO 2D7< 12C5<>
JY3_DM0 8C7<>
ACHAN0_PJUS 2D3< 4C6<
ACHAN1_PJUS 2A3< 4C8<
ACHAN2_PJUS 3C2< 4C6<
ACHAN3_PJUS 3B2< 4C6<
AIRPORT_CLKRUM_L_PD 16B4< 16B7<
AIDIO_LO_SWT_L 9D1< 24C2<>
BOOT_CN2S 8C7<>
BT_POWER 12A4<>
BUFF_HSYNRC 4D8< 14C1<>
BUFF_VSYNRC 4D6< 14D1<>
CDATA_SV 21C7<>
CHERESE_MON0 18A8<> 18C7<>
CHERESE_MON2 18B8<> 18C7<>
CHERESE_MON3 18B8<> 18C6<>
CHERESE_MON4 18B8<> 18C6<>
CHERESE_MON9 18B8<> 18C2<>
CHERESE_MON11 18A6<> 18C5<>
CHERESE_MON12 18B6<> 18C5<>
CHERESE_MON13 18B6<> 18C3<>
CHERESE_MON14 18B6<> 18C3<>
CHERESE_MON15 18B6<> 18C2<>
CNTRL_CLK_SOURCE 4D6< 6B8<>
CNTRL_OUT 4D8< 6A8<>
CNTRL_CLK_SOURCE 4D6< 6B8<>
CNTRL_OUT 4D6< 6A8<>
DAC0_OUT 4C8< 22C5<>
DAC1_OUT 4C8<
DCC_HCL_5 14B3< 24C4<>
ENET_CNTRL 6B5<> 13C3<>
FANTACH_0 19B7<>
FANTACH_1 19B7<>
FANTACH_2 19B7<>
FIX10 6B6<> 7A6<>
FIX101 6B6<> 7A6<>
FIX102 6B6<> 7A6<>
FIX103 6B6<> 7A6<>
FIX104 6A6<> 7A6<>
FIX105 6A6<> 7A6<>
FIX106 6A6<> 7A6<>
FIX107 6A6<> 7A6<>
FIX108 6A6<> 7A6<>
FIX109 6A6<> 7A6<>
FIX110 6A6<> 7A6<>
FIX111 6A6<> 7A6<>
FIX112 6A6<> 7A6<>
FIX113 6A6<> 7A6<>
FIX114 6A6<> 7A6<>
FIX115 6A6<> 7A6<>
FW_CNTRL 6B5<> 13C4<>
FW_CNTRL2 6B5<> 13C4<>
FW_CNTRL3 6B5<> 13C4<>
FW_CNTRL4 6B5<> 13C4<>
FW_CNTRL5 6A5<> 13C4<>
FW_CNTRL6 6B5<> 13C4<>
FW_LOAD_SENSE 2D7< 17B4<>
FW_TP1IN 13B6<
FW_TP1P 13B6<
FW_TP2H 13A6<
FW_TP2P 13A6<
FW_TP2N 13A6<
FW_TP2P 13A6<
FW_VP 17B8< 24C2<>
FW_VP_PORT1 13B6<
FW_VP_PORT2 13A6<
GPIN 8C4<>
HSKIN 8C4<>
HSKOUT 8C4<>
I2C_SB_SCL 15C7<> 23A3<>
I2C_SB_SDA 15C5<> 23A3<>
I2B1_B1C1A 8C6<> 15C1<> 15C5<> 23C3<>
I2B1_DEV_TO_SR_DTT 8D6<> 15C1<> 15C7<> 23D3<>
I2B1_DEV_TO_SR_DTT_1 16B4< 16B7<
I2B1_MCLK 8C6<> 15C3<> 15C5<> 23C3<>
I2B1_RESET_L 8C6<> 15C1<> 15C5<> 23D3<>
I2B1_SB_TO_DEV_DTT 8D6<> 15C3<> 15C5<> 23D3<>
I2B1_SB_TO_DEV_DTT_0 16A4< 16A7<
I2B1_SYNRC 8C6<> 15C1<> 15C7<> 23C3<>
KPN02 3B6<> 24C2<>
KPN02 3C6<> 24C2<>
M0B0_R1N02V5_L 15C1<> 15C7<> 23B3<>
M0M_BLIK 14C5<> 18B1<>
M0M_DBYNRC 17D1< 24C4<>
M0M_DREN 14B3<> 18A1<>
M0M_HSYNRC 18B3<> 18C3<>
M0M_RED 14A5<> 18A1<>
M0M_VSYNRC 18B3<> 18C3<>
M0A 2A5< 2D5< 3B5< 3C5< 6B5<>
M0A1 2A5< 2D5< 3B5< 3C5< 6B5<>
M0A2 2B5< 2D5< 3B5< 3C5< 6B5<>
PCI_AD<0> 16B5<
PCI_AD<1> 16B4< 16B7<
PCI_AD<2> 16B5<
PCI_AD<3> 16B4< 16B7<
PCI_AD<4> 16B5<
PCI_AD<5> 16B4< 16B7<
PCI_AD<6> 16B5<
PCI_AD<7> 16B4< 16B7<
PCI_AD<8> 16B4< 16B7<
PCI_AD<9> 16B5<
PCI_AD<10> 16B4< 16B7<
PCI_AD<11> 16B4<
PCI_AD<12> 16B4< 16B7<
PCI_AD<13> 16B4<
PCI_AD<14> 16B4< 16B7<
PCI_AD<15> 16B5<
PCI_AD<16> 16B5<
PCI_AD<17> 16C4< 16C7<
PCI_AD<18> 16C5<
PCI_AD<19> 16C4< 16C7<
PCI_AD<20> 16C5<
PCI_AD<21> 16C4< 16C7<
PCI_AD<22> 16C5<
PCI_AD<23> 16C4< 16C7<
PCI_AD<24> 16C5<
PCI_AD<25> 16C4< 16C7<
PCI_AD<26> 16C5<
PCI_AD<27> 16C4< 16C7<
PCI_AD<28> 16C5<
PCI_AD<29> 16C4< 16C7<
PCI_AD<30> 16C5<
PCI_AD<31> 16C4< 16C7<
PCI_CBE_L<0> 16B5<
PCI_CBE_L<1> 16B4< 16B7<
PCI_CBE_L<2> 16B4< 16B7<
PCI_CBE_L<3> 16C4< 16C7<
PCI_CLK3M_AIRPORT 16C6<
PCI_DEVSEL_L 16B5<
PCI_FRMCL_L 16B5<
PCI_IRQD_L 16B4< 16B7<
PCI_PAR 16C5<
PCI_RESET_L 16C4< 16C7<
PCI_SLOTA_CNT_L 16C6<
PCI_SLOTA_IDSEL 16C6<
PCI_SLOTA_INT_L 16C6<
PCI_SLOTA_REQ_L 16C4< 16C7<
PCI_STOP_L 16B5<
PCI_TRM_L 16B5<
POWER_BUTTON_L 9D8< 23D7<>
P0V1V_RUN 2C7< 23C6<>
P0V1V_RUN 2B7< 23C6<>
P0V1V_RUN 2A7< 23D6<>
P0V1V_ALL 2B7< 23D6<>
P0V1V_DDC 2D8<> 21B7<>
P0V1V_DISK 2D87<> 23A7<
P0V1V_PCI 16D7<
P0V1V_PWRON 23A6<
P0V1V_PWRON_BT 12A5< 23A6<
P0V1V_PWRON_UDASH 15C1<> 15C7<> 23A6<
P0V1V_RUN 2D7< 11D1<> 11D4<> 23A8<
P0V1V_ALL_SW 11C4<>
P0V1V_DISK 11B4<>
P0V1V_DISK 11C3<> 2D7<> 21C4<
P0V1V_PWRON 23A7<>
P0V1V_PWRON_UDASH 15B5<> 23A7<
P0V1V_RUN 2D7< 11C1<> 11D4<> 23C6<>
P0V1V_DISK 11D1< 2D7<>
P0V1V_RUN 11B4<> 11D2<>
P0V1V_RUN 2D7< 23D6<>
P0V1V_DDC 2D8<> 23B7<>
P0V1V_DISK 5C7<>
P0V1V_BUTTON_L 9C8<> 23D7<>
ROM_CS_L 16B4< 16B7<

```

```

ROM_OR_L 16B5<
ROM_ORWARD_CS_L 16B4< 16B7<
ROM_WE_L 16B4< 16B7<
ROM_WEG 8D4<>
RSD_PJUS 8C4<>
SC_CLK 4C6< 6B6<>
SC_CLR 4C6< 6B6<>
SC_DATA_IN 4C6< 6B8<>
SC_DATA_OUT 4C6< 6B8<>
SC_FANTACH0 6A8<> 19B8<>
SC_FANTACH1 6A8<> 19B8<>
SC_FANTACH2 6A8<> 19B8<>
SC_PW_LOAD_ON 6A5<> 17A8<
SC_R0_DETECT 6B5<> 9C1<
SC_POWER_ON 4C6< 9D8<
SC_SBL_PAR 4D6< 6B8<>
SC_SBL_RESET 6B5<> 9A8<
SC_SBL_RESET 6B5<> 9B8<
SC_S_CLOCK 4C6< 6B6<>
SC_USB_LOAD_ON 6A5<> 12B8<
SC_VGA_DETECT 6B5<> 17D4<
SMI_MANTAL_RESET_L 9B8< 23D7<>
SMI_RESET_L 8C7<>
SMI_RXD 8C7<>
SMI_TXD 8B7<>
SW_VGA_B 3B6<> 14B3<> 14B7< 18C6<>
SW_VGA_G 3C6<> 14B3<> 14B7< 18C7<>
SW_VGA_R 2A7< 14A7< 14B3<> 18C7<>
T0M 2D81<> 23B7<>
T0CP 2D81<> 23B7<>
T0DM 2D81<> 23C7<>
T0DP 2D81<> 23C7<>
T0DM 2D81<> 23C7<>
T0IP 2D81<> 23C7<>
T0DM 2D81<> 23B7<>
T0DP 2D81<> 23B7<>
T0DS_DCC_CLK 2D81<> 23B7<>
T0DS_DCC_DAT 2D81<> 23B7<>
TP_AIRPORT_RF_DISABLE 16C4< 16C7<
TRICKLE_SW_ON 4D6< 11B7<
TXD_NEO 8C4<>
TXD_PJUS 8C4<>
UATA_CS0_L 21B7<> 24A6<>
UATA_CS1_L 21B6<> 24A6<>
UATA_CS0_PD 21A7<> 24A6<>
UATA_D0 21B7<> 24B6<>
UATA_D1 21B7<> 24B6<>
UATA_D2 21B6<> 24B6<>
UATA_D0E_L 21B7<> 24B6<>
UATA_D0 21B7<> 24B6<>
UATA_D01 21B7<> 24B6<>
UATA_D02 21B7<> 24B6<>
UATA_D03 21B7<> 24C6<>
UATA_D04 21B7<> 24C6<>
UATA_D05 21B7<> 24C6<>
UATA_D06 21B7<> 24C6<>
UATA_D07 21B7<> 24C6<>
UATA_D08 21B6<> 24C6<>
UATA_D09 21B6<> 24C6<>
UATA_D010 21B6<> 24C6<>
UATA_D011 21B6<> 24C6<>
UATA_D012 21B6<> 24C6<>
UATA_D013 21B6<> 24C6<>
UATA_D014 21B6<> 24D6<>
UATA_D015 21B6<> 24D6<>
UATA_D0ACK_L 21B6<> 24A6<>
UATA_D0ACK_R 21B6<> 24A6<>
UATA_DSTROBE_S 21B7<> 24B6<>
UATA_DSTROBE 21B6<> 24A6<>
UATA_INTREQ_R 21B7<> 24B6<>
UATA_IOC0_PU 21B6<> 24A6<>
UATA_RESET_L 21B7<> 24B6<>
UATA_STOP 21B7<> 24B6<>
UDASH_I2C_A1_PU 15C5< 23A3<
UDASH_RESET_L 15C5< 23A3<
UDASH_S0B0E 15C7<> 23B3<
USB_BT_M 12A4< 23C3<
USB_BT_P 12A4< 23B3<
USB_CNTRL_1 6B5<>
USB_CNTRL_2 6B5<> 12B5< 13C3<>
USB_CNTRL_3 6B5<> 12B3< 13C3<>
USB_UDASH_M 15C5< 23B3<
USB_UDASH_P 15C5< 23B3<
V0R0ADJUST_ON 6A5<> 22C5<
VGA_B 18C7<> 24D4<
VGA_G 18C7<> 24C4<
VGA_HSYNRC 14B3<> 14C3< 18C3<> 24C4<>
VGA_IIC_CLE 14B3<> 24C4<
VGA_IIC_DAT 14B2<> 24C4<
VGA_MON0 18B1<> 18C6<>
VGA_MON9 18B3<> 18C2<>
VGA_MON11 18A3<> 18C5<>
VGA_MON12 18A3<> 18C5<>
VGA_MON15 18B3<> 18C2<>
VGA_R 18C7<> 24D4<
VGA_VSYNRC 14B2<> 14D3< 18C3<> 24C4<>
VIDEO_CNTRL2 6B5<> 18B6<

```

D

D

C

C

B

B

A

A


NOTICE OF PROPRIETARY PROPERTY

THE INFORMATION CONTAINED HEREIN IS THE PROPRIETARY PROPERTY OF APPLE COMPUTER, INC. THE POSSESSOR AGREES TO THE FOLLOWING

I TO MAINTAIN THE DOCUMENT IN CONFIDENCE

II NOT TO REPRODUCE OR COPY IT

III NOT TO REVEAL OR PUBLISH IN WHOLE OR PART

 APPLE COMPUTER INC.	SIZE D	DRAWING NUMBER 951-0292	REV. 3
	SCALE NONE	SHEET 25	OF 26

