

8

7

6

5

4

3

2

1

- 1. ALL RESISTANCE VALUES ARE IN OHMS, 0.1 WATT +/- 5%.
- 2. ALL CAPACITANCE VALUES ARE IN MICROFARADS.
- 3. ALL CRYSTALS & OSCILLATOR VALUES ARE IN HERTZ.

REV	ZONE	ECN	DESCRIPTION OF CHANGE	CK APPD DATE	ENG APPD DATE
06		412666	ENGINEERING RELEASED	12/02/05?	


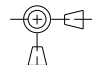
SCHEM, BUZZ, M1

DVT

12/02/05

PDF PAGE	CSA PAGE	CONTENTS	SYNC MASTER	DATE
1	1	Table of Contents		
2	2	Block Diagram		
3	4	BOM Configuration	(Master)	(Master)
4	6	Aliases	(Master)	(Master)
5	51	Left USB Port	(Master)	(Master)
6	53	ExpressCard Connector	(Master)	(Master)
7	54	PCI-E MiniCard Connector	(Master)	(Master)
8	55	MLB I/O Board Connector	(Master)	(Master)
9	68	AUDIO: CODEC	LENGO_M1_LIO	12/02/2005
10	72	AUDIO:SPEAKER AMP	LENGO_M1_LIO	12/02/2005
11	73	AUDIO: JACKS	LENGO_M1_LIO	12/02/2005
12	74	AUDIO: JACK TRANSLATORS	LENGO_M1_LIO	12/02/2005
13	78	3.3V Supply	(Master)	(Master)
14	82	DC-In & Battery Connectors	(Master)	(Master)
15	83	PBus Supply & Batt. Charger	(Master)	(Master)
16	84	Current & Thermal Sensors	(Master)	(Master)
17	85	Cross Reference Page		
18	86	Cross Reference Page		

PART#	QTY	DESCRIPTION	REFERENCE DESIGNATOR(S)	CRITICAL	BOM OPTION
051-6951	1	SCHEM, BUZZ, M1	SCH1		
820-1699	1	PCBF, BUZZ, M1	PCB1		

DIMENSIONS ARE IN MILLIMETERS		METRIC		 Apple Computer Inc.	
XX : _____	_____	DRAPFER	DESIGN CK	NOTICE OF PROPRIETARY PROPERTY THE INFORMATION CONTAINED HEREIN IS THE PROPRIETARY PROPERTY OF APPLE COMPUTER, INC. THE POSSESSOR AGREES TO THE FOLLOWING: I TO MAINTAIN THE DOCUMENT IN CONFIDENCE II NOT TO REPRODUCE OR COPY IT III NOT TO REVEAL OR PUBLISH IN WHOLE OR PART	
X.XX : _____	_____	ENG APPD	MFG APPD		
X.XXX : _____	_____	QA APPD	DESIGNER		
ANGLES : _____	_____	RELEASE	SCALE		
DO NOT SCALE DRAWING		NONE		SCHEM, BUZZ, M1 DRAWING NUMBER 051-6951 REV. 06	
 THIRD ANGLE PROJECTION		MATERIAL/FINISH NOTED AS APPLICABLE			
				SHT 1 OF 86	

8

7

6

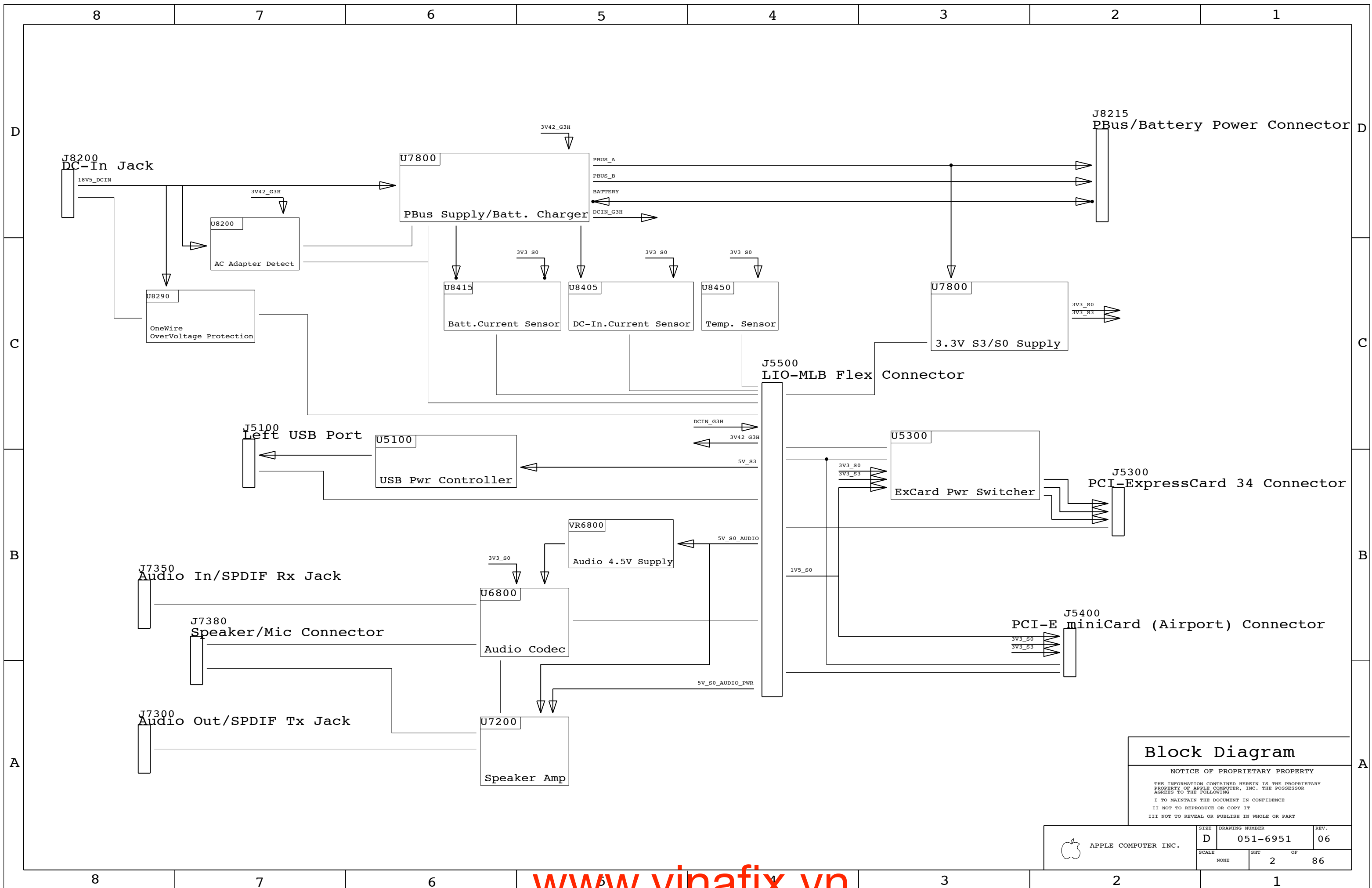
5

4

3

2

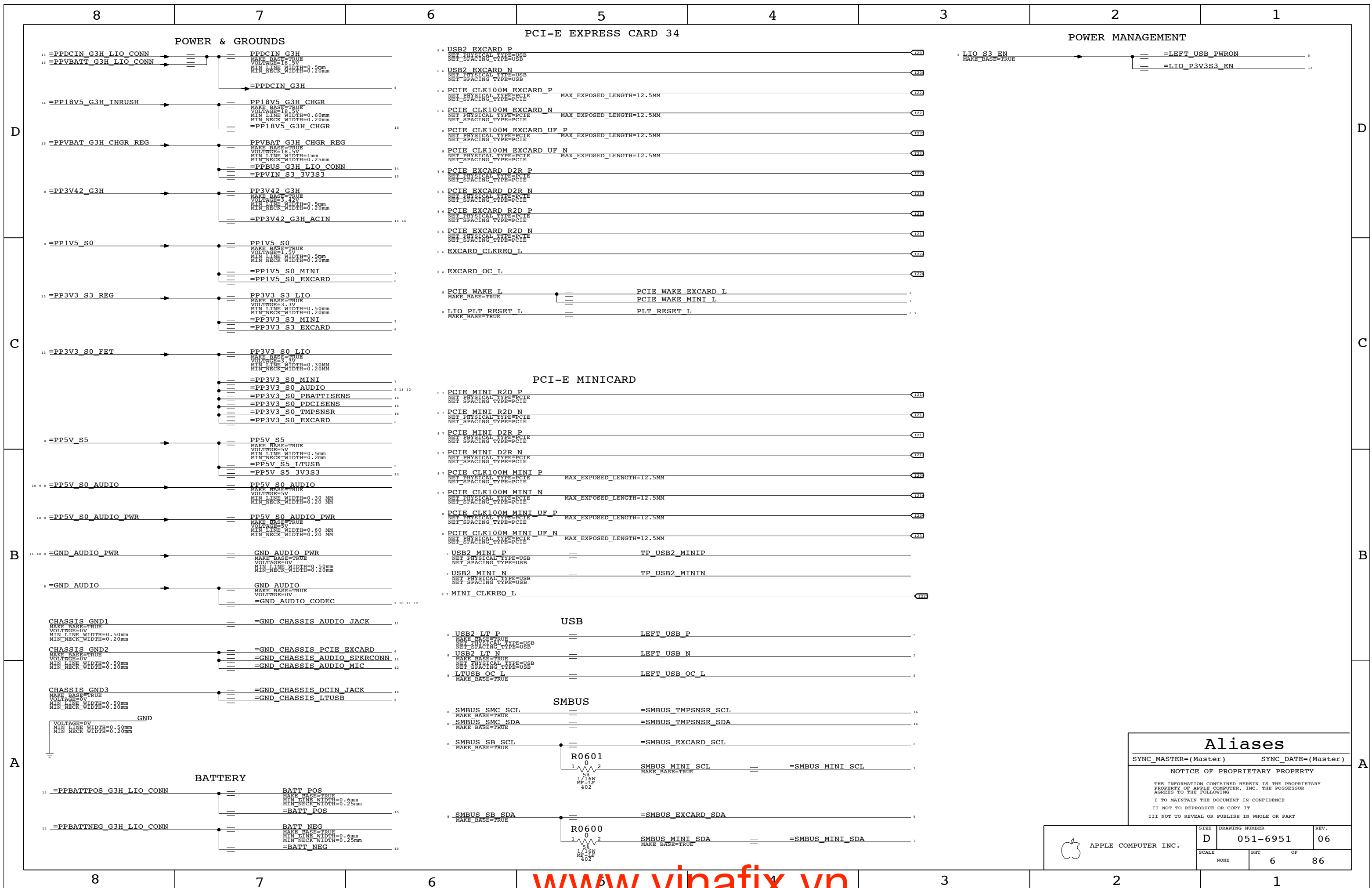
1



Block Diagram

NOTICE OF PROPRIETARY PROPERTY
 THE INFORMATION CONTAINED HEREIN IS THE PROPRIETARY PROPERTY OF APPLE COMPUTER, INC. THE POSSESSOR AGREES TO THE FOLLOWING
 I TO MAINTAIN THE DOCUMENT IN CONFIDENCE
 II NOT TO REPRODUCE OR COPY IT
 III NOT TO REVEAL OR PUBLISH IN WHOLE OR PART

APPLE COMPUTER INC.	SIZE	DRAWING NUMBER	REV.
	D	051-6951	06
SCALE	SHT	OF	
NONE	2	86	



Aliases

SYNC_MASTER=(Master) SYNC_DATE=(Master)

NOTICE OF PROPRIETARY PROPERTY

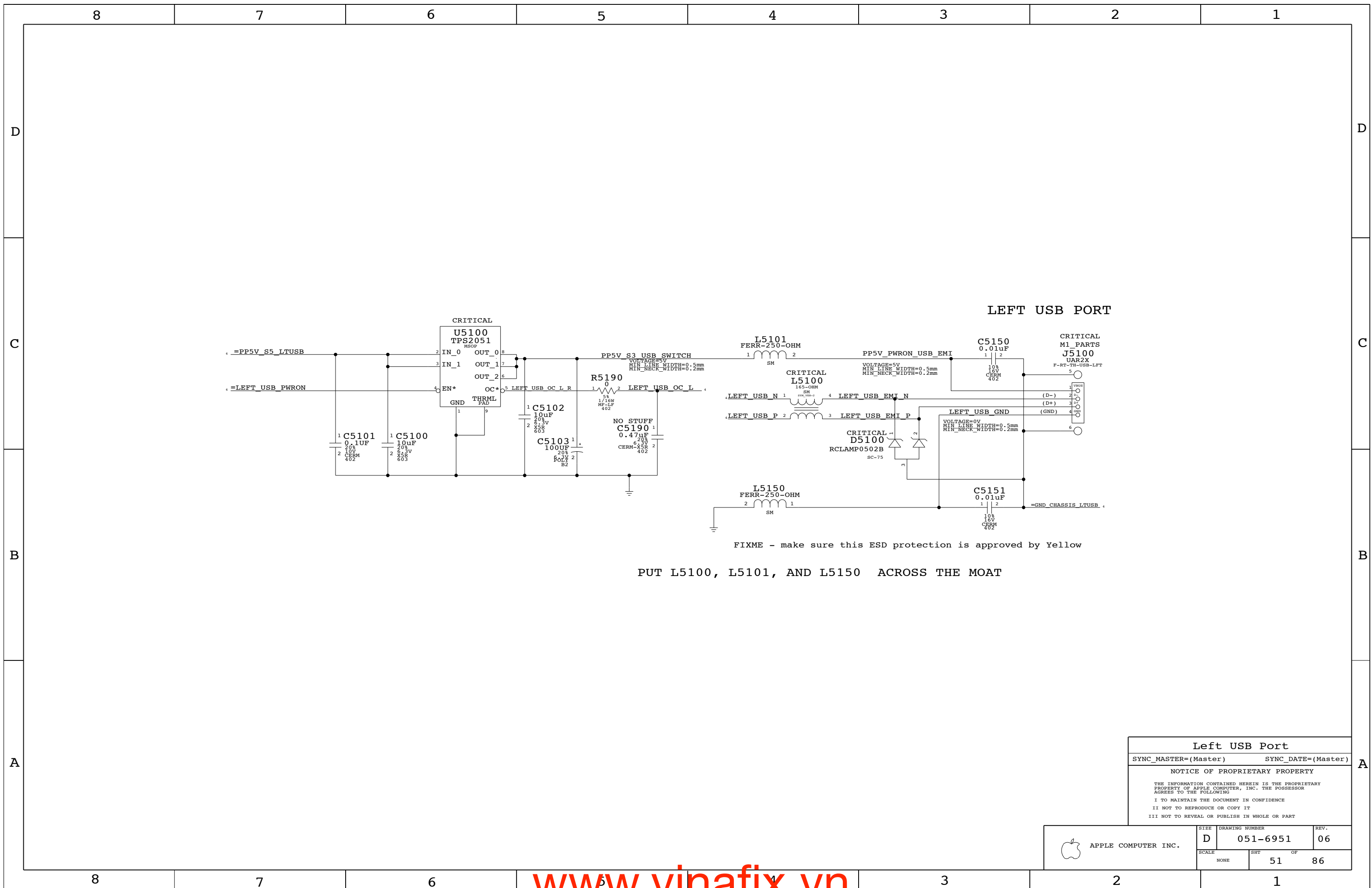
THE INFORMATION CONTAINED HEREIN IS THE PROPRIETARY PROPERTY OF APPLE COMPUTER, INC. THE POSSESSOR AGREES TO THE FOLLOWING

I TO MAINTAIN THE DOCUMENT IN CONFIDENCE

II NOT TO REPRODUCE OR COPY IT

III NOT TO REVEAL OR PUBLISH IN WHOLE OR PART

APPLE COMPUTER INC.	SIZE	DRAWING NUMBER	REV.
	D	051-6951	06
SCALE	SHT	OF	REV.
NONE	6	86	86



Left USB Port

SYNC_MASTER=(Master) SYNC_DATE=(Master)

NOTICE OF PROPRIETARY PROPERTY

THE INFORMATION CONTAINED HEREIN IS THE PROPRIETARY PROPERTY OF APPLE COMPUTER, INC. THE POSSESSOR AGREES TO THE FOLLOWING

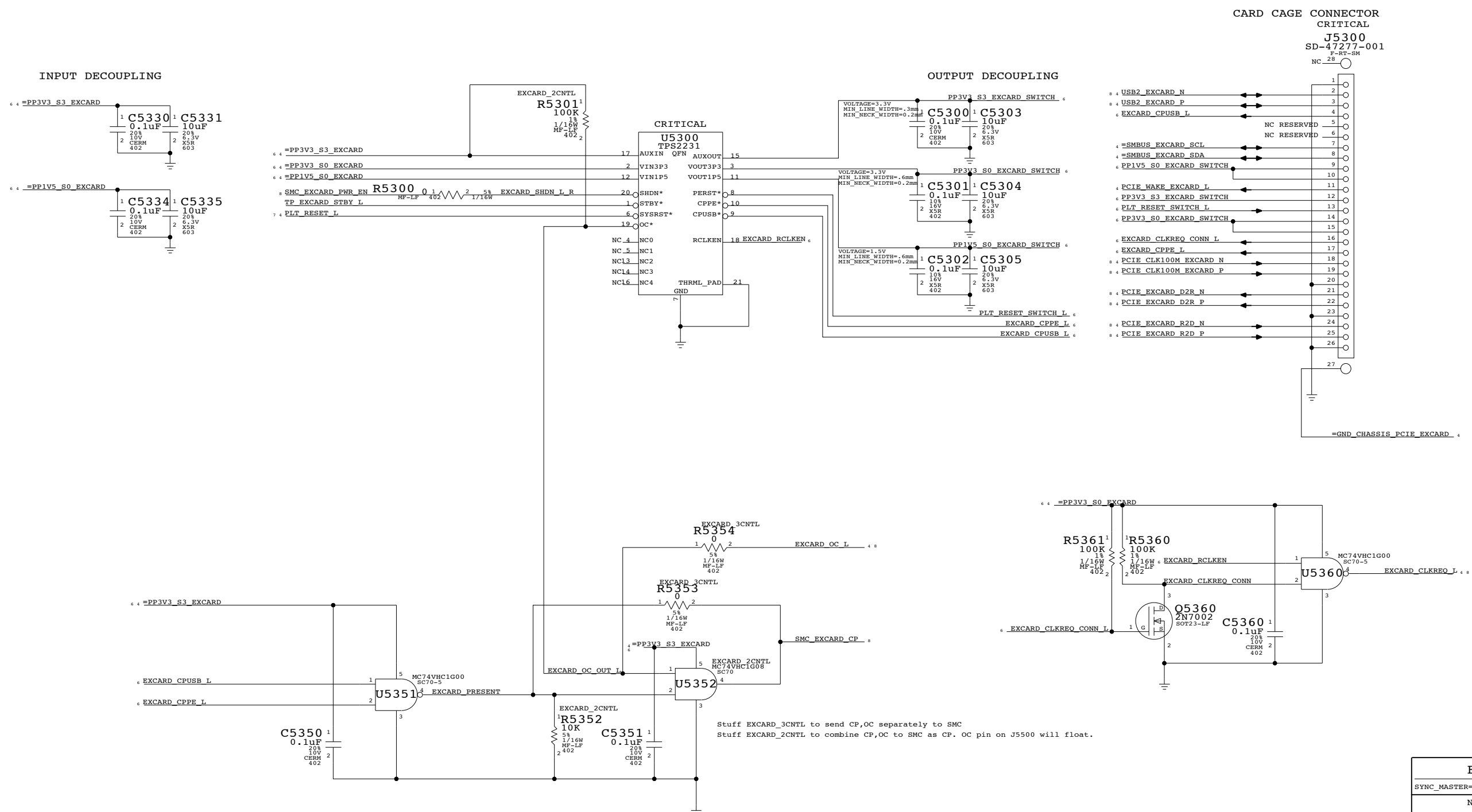
I TO MAINTAIN THE DOCUMENT IN CONFIDENCE

II NOT TO REPRODUCE OR COPY IT

III NOT TO REVEAL OR PUBLISH IN WHOLE OR PART

APPLE COMPUTER INC.	SIZE	DRAWING NUMBER	REV.
	D	051-6951	06
SCALE	SHT OF		
NONE	51 OF		86

PCI-EXPRESS CARD 34 TOP MOUNT CONNECTOR

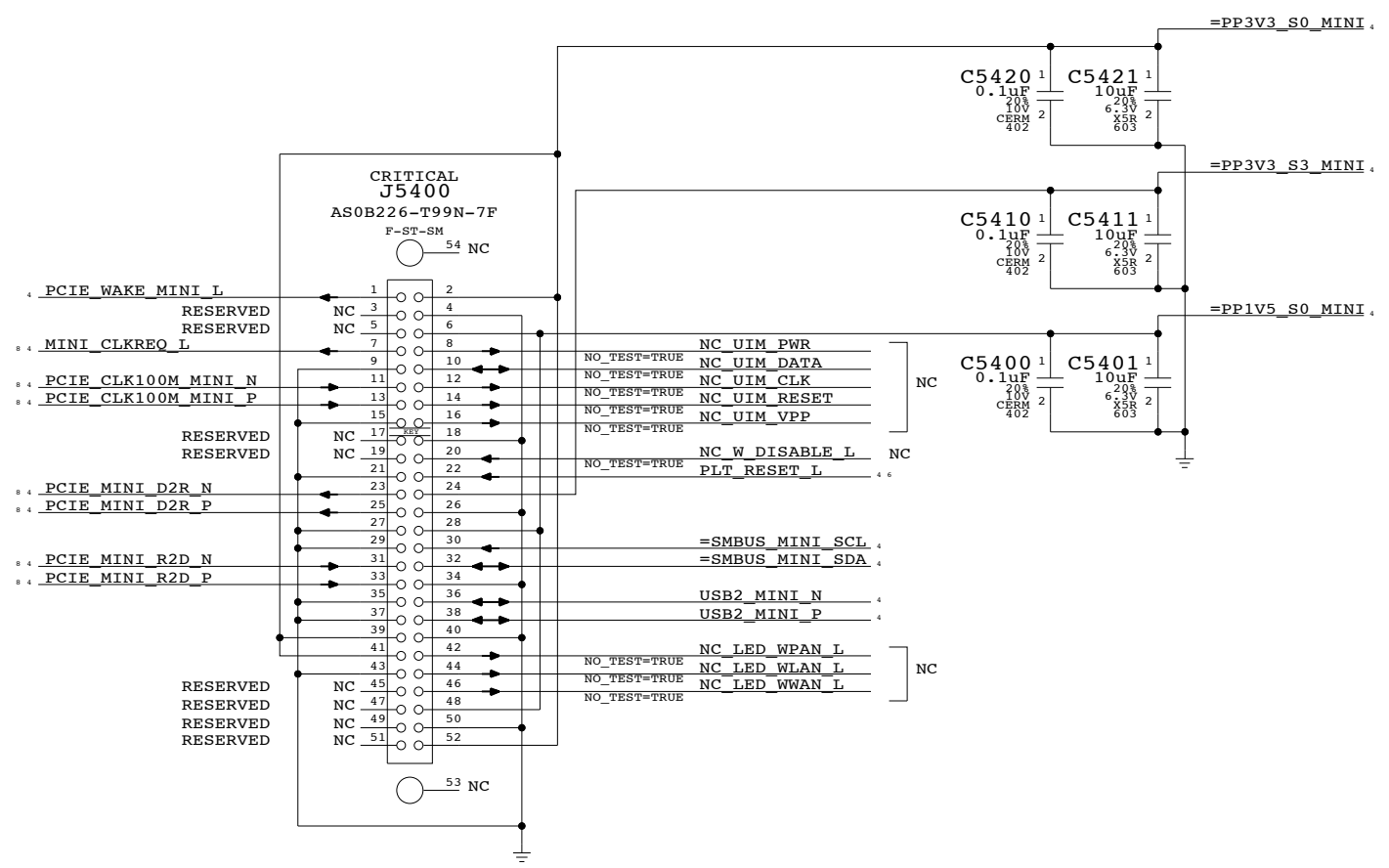


Stuff EXCARD_3CNTL to send CP,OC separately to SMC
 Stuff EXCARD_2CNTL to combine CP,OC to SMC as CP. OC pin on J5500 will float.

ExpressCard Connector
 SYNC_MASTER=(Master) SYNC_DATE=(Master)
NOTICE OF PROPRIETARY PROPERTY
 THE INFORMATION CONTAINED HEREIN IS THE PROPRIETARY PROPERTY OF APPLE COMPUTER, INC. THE POSSESSOR AGREES TO THE FOLLOWING:
 I TO MAINTAIN THE DOCUMENT IN CONFIDENCE
 II NOT TO REPRODUCE OR COPY IT
 III NOT TO REVEAL OR PUBLISH IN WHOLE OR PART

APPLE COMPUTER INC.	SIZE	DRAWING NUMBER	REV.
	D	051-6951	06
SCALE	SHT OF		
NONE	53		86

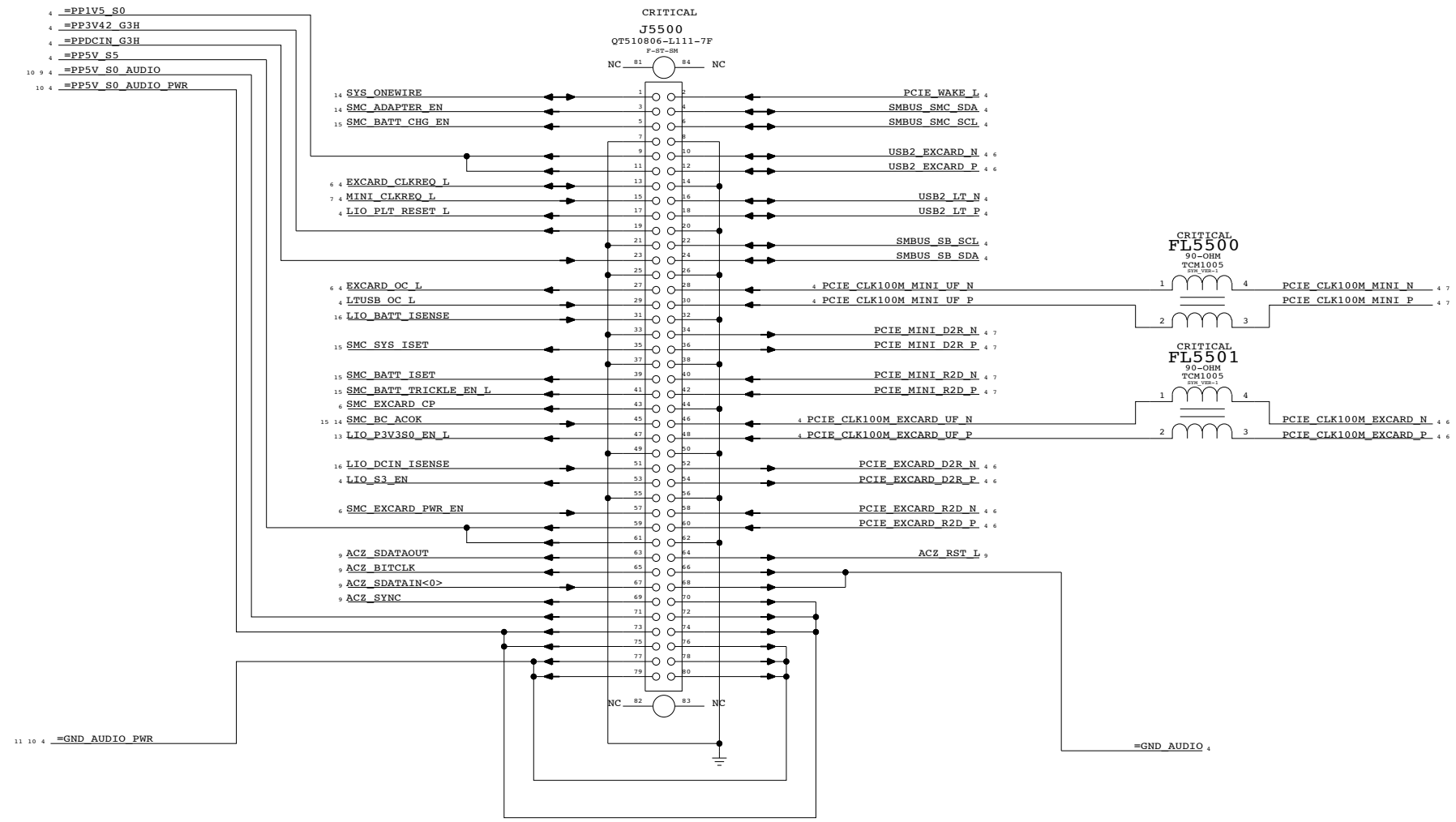
PCI-EXPRESS MINI CARD CONNECTOR



PCI-E MiniCard Connector
 SYNC_MASTER=(Master) SYNC_DATE=(Master)
NOTICE OF PROPRIETARY PROPERTY
 THE INFORMATION CONTAINED HEREIN IS THE PROPRIETARY PROPERTY OF APPLE COMPUTER, INC. THE POSSESSOR AGREES TO THE FOLLOWING
 I TO MAINTAIN THE DOCUMENT IN CONFIDENCE
 II NOT TO REPRODUCE OR COPY IT
 III NOT TO REVEAL OR PUBLISH IN WHOLE OR PART

APPLE COMPUTER INC.	SIZE	DRAWING NUMBER	REV.
	D	051-6951	06
SCALE	SHT OF		
NONE	54 OF		86

Left I/O Board Connector

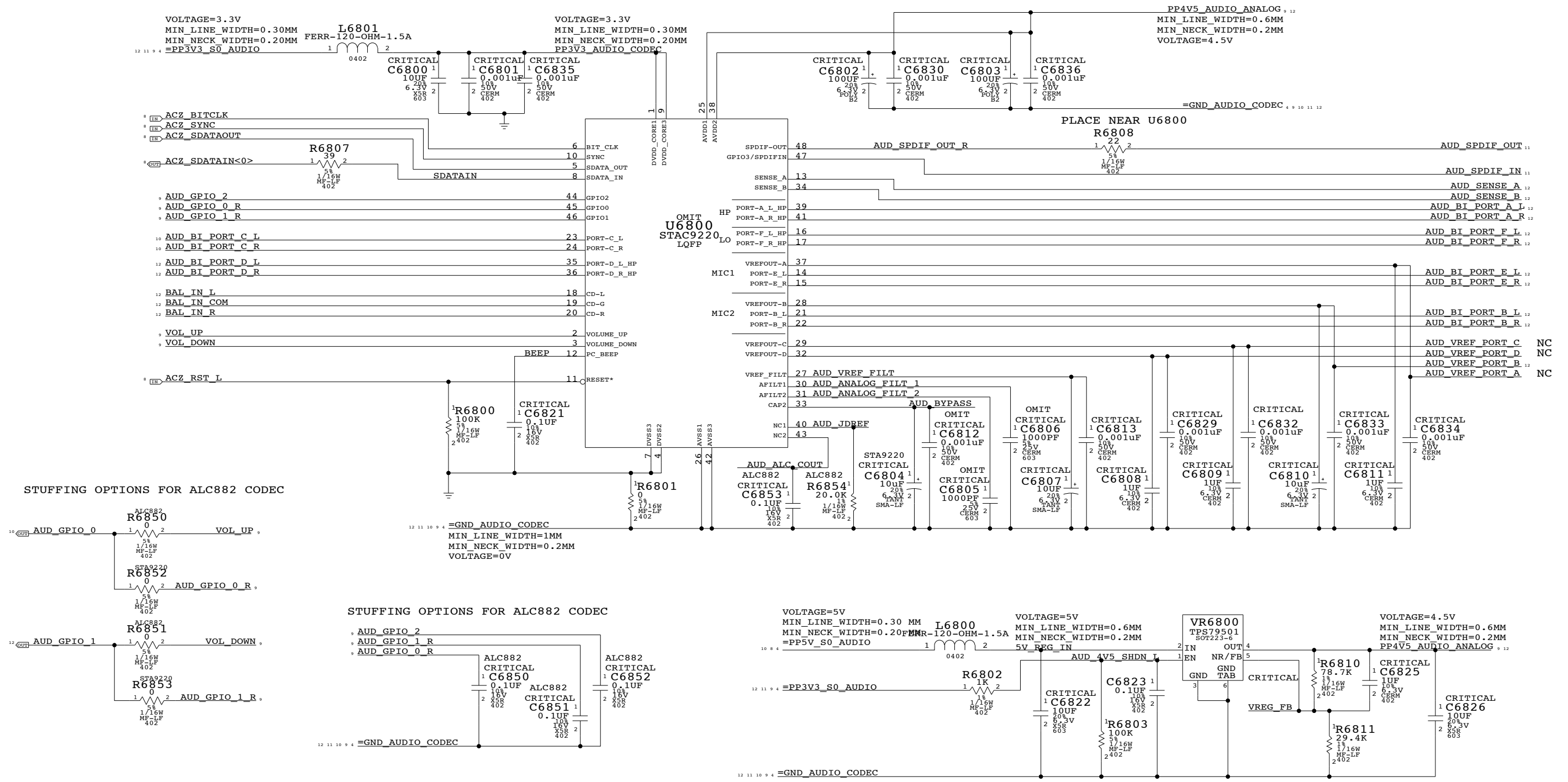


MLB I/O Board Connector
 SYNC_MASTER=(Master) SYNC_DATE=(Master)
NOTICE OF PROPRIETARY PROPERTY
 THE INFORMATION CONTAINED HEREIN IS THE PROPRIETARY PROPERTY OF APPLE COMPUTER, INC. THE POSSESSOR AGREES TO THE FOLLOWING:
 I TO MAINTAIN THE DOCUMENT IN CONFIDENCE
 II NOT TO REPRODUCE OR COPY IT
 III NOT TO REVEAL OR PUBLISH IN WHOLE OR PART

APPLE COMPUTER INC.	SIZE	DRAWING NUMBER	REV.
	D	051-6951	06
SCALE	SHT OF		
NONE	55		86

AUDIO CODEC

APPLE P/N 353S1345



APN: 353S1233 4.5V POWER SUPPLY FOR CODEC

PART#	QTY	DESCRIPTION	REFERENCE DESIGNATOR(S)	CRITICAL	BOM OPTION
353S1345	1	SIGMATEL STA9220 CODEC	U6800	CRITICAL	LEMENU
131S1034	1	1000PF NPO CAPACITOR	C6805	CRITICAL	STA9220
131S1034	1	1000PF NPO CAPACITOR	C6806	CRITICAL	STA9220
132S0045	1	0.001uF 50V 10% X7R Capacitor	C6812	CRITICAL	STA9220
353S1268	1	Realtek ALC882 CODEC	U6800	CRITICAL	ALC882
138S0541	1	1uF 10V X7R Capacitor	C6805	CRITICAL	ALC882
138S0541	1	1uF 10V X7R Capacitor	C6806	CRITICAL	ALC882
116S0004	1	0 ohms 0402 Resistor	C6812	CRITICAL	ALC882

AUDIO: CODEC

SYNC_MASTER=LENGO_M1_LIOSYNC_DATE=12/02/2005

NOTICE OF PROPRIETARY PROPERTY

THE INFORMATION CONTAINED HEREIN IS THE PROPRIETARY PROPERTY OF APPLE COMPUTER, INC. THE POSSESSOR AGREES TO THE FOLLOWING

I TO MAINTAIN THE DOCUMENT IN CONFIDENCE

II NOT TO REPRODUCE OR COPY IT

III NOT TO REVEAL OR PUBLISH IN WHOLE OR PART

APPLE COMPUTER INC.	SIZE	DRAWING NUMBER	REV.
	D	051-6951	06
SCALE	NONE	SHT	OF
		68	86

8

7

6

5

4

3

2

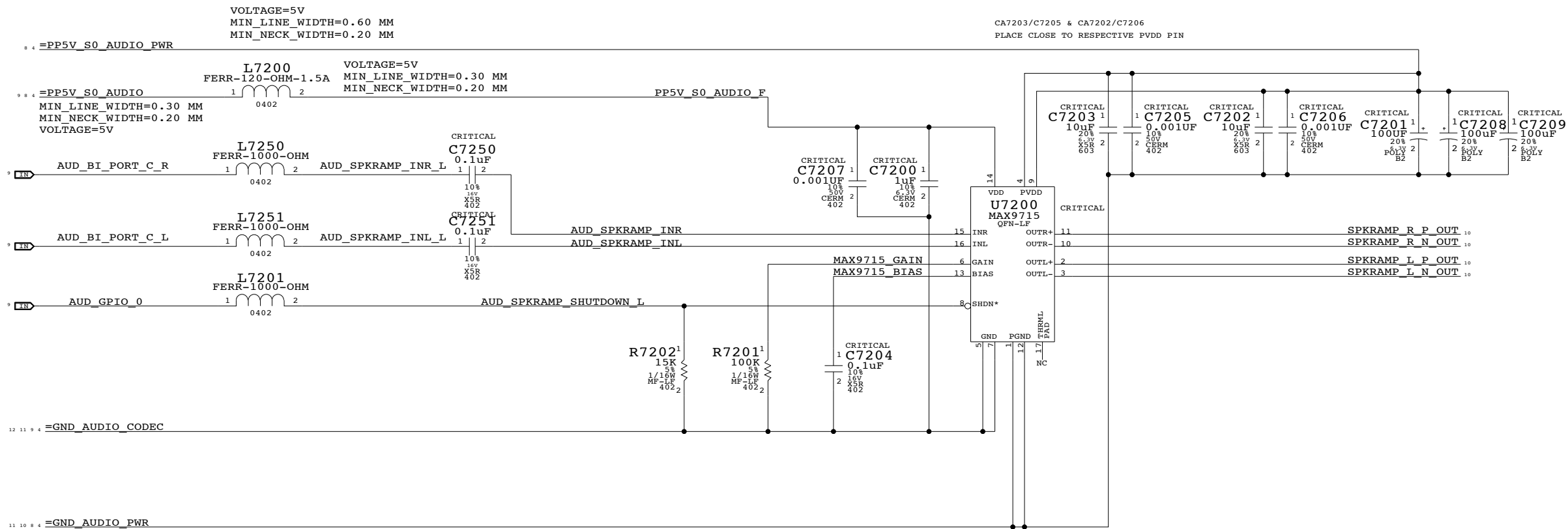
1

STEREO SPEAKER AMPLIFIERS (MAX9715)

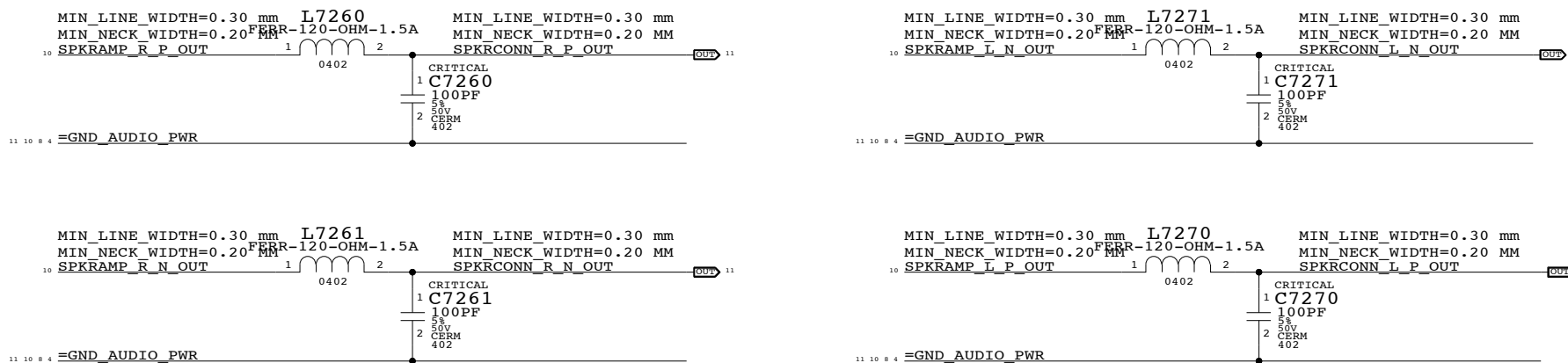
APN: 353S1283

Gain = 10.5dB

118 < FC < 245Hz



EMI FILTERS FOR AMPLIFIER OUTPUTS



AUDIO: SPEAKER AMP

SYNC_MASTER=LENGO_M1_LBYNC_DATE=12/02/2005

NOTICE OF PROPRIETARY PROPERTY

THE INFORMATION CONTAINED HEREIN IS THE PROPRIETARY PROPERTY OF APPLE COMPUTER, INC. THE POSSESSOR AGREES TO THE FOLLOWING

I TO MAINTAIN THE DOCUMENT IN CONFIDENCE

II NOT TO REPRODUCE OR COPY IT

III NOT TO REVEAL OR PUBLISH IN WHOLE OR PART

APPLE COMPUTER INC.	SIZE	DRAWING NUMBER	REV.
	D	051-6951	06
SCALE	NONE	SHT OF	72 OF 86

8

7

6

5

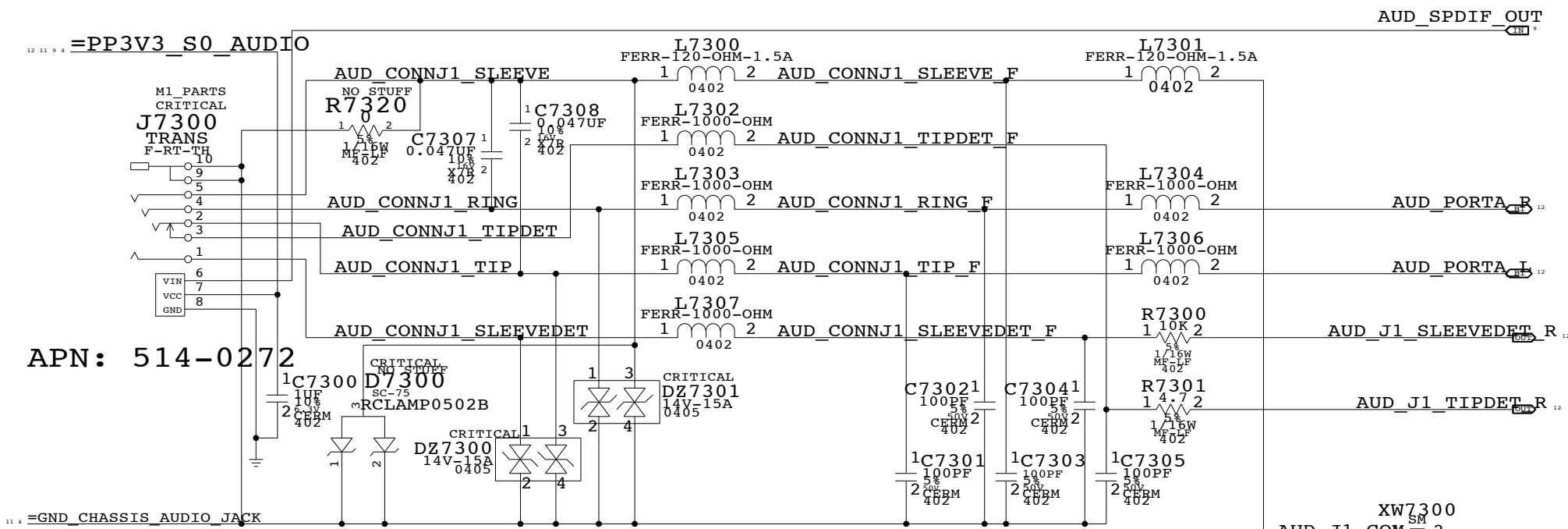
4

3

2

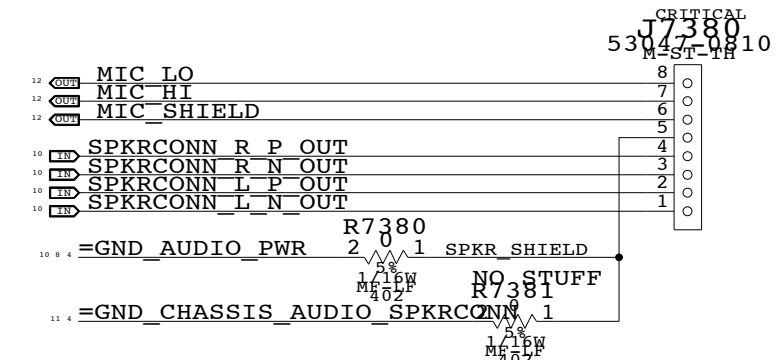
1

AUDIO JACK 1/DEFAULT LO/HP CONNECTOR, SPDIF TX



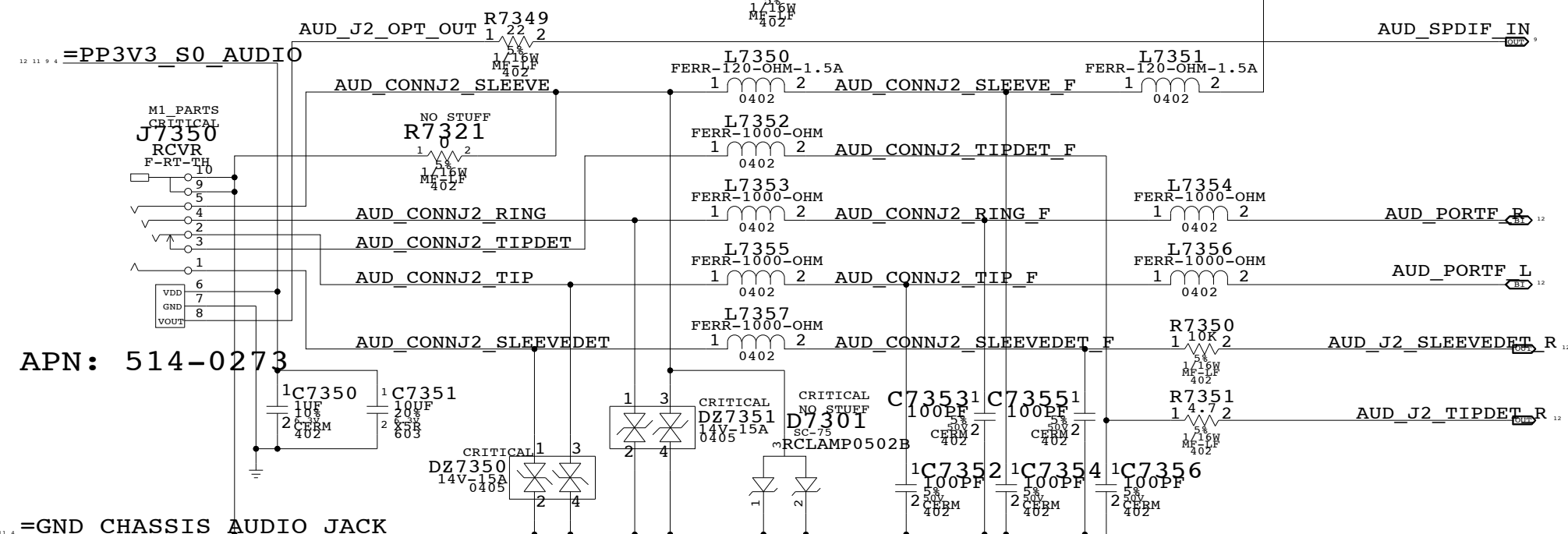
APN: 514-0272

SPEAKER/MIC CONNECTOR
APN: 518-0216

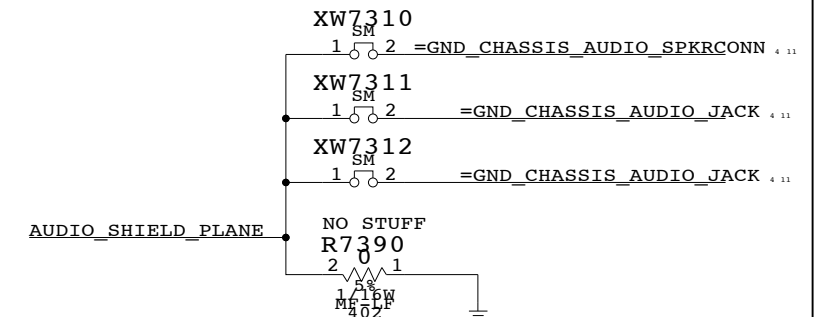


PLACE AT GROUND MOAT

=GND_CHASSIS_AUDIO_JACK =GND_AUDIO_CODEC



APN: 514-0273



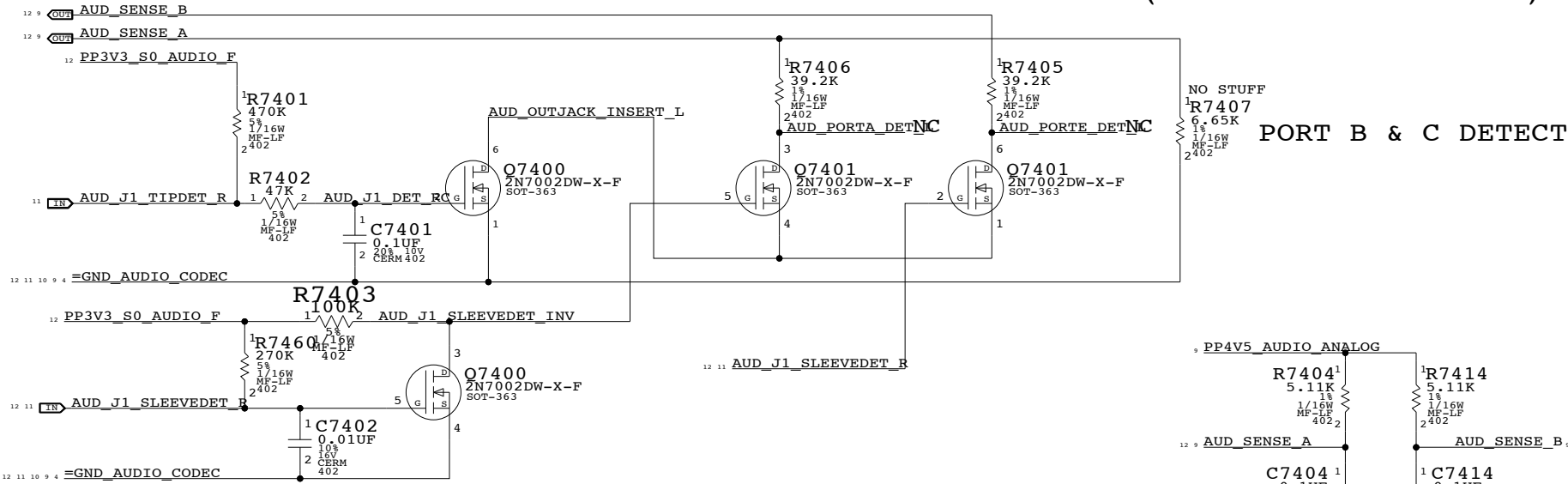
AUDIO SHIELD
(FILLED SHAPE)

AUDIO JACK 2/DEFAULT LINE IN CONNECTOR, SPDIF RX

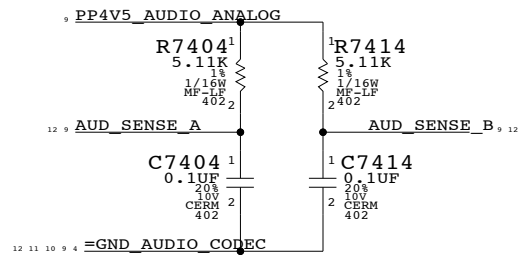
AUDIO: JACKS		
SYNC_MASTER=LENGO_M1_SYNC_DATE=12/02/2005		
NOTICE OF PROPRIETARY PROPERTY		
THE INFORMATION CONTAINED HEREIN IS THE PROPRIETARY PROPERTY OF APPLE COMPUTER, INC. THE POSSESSOR AGREES TO THE FOLLOWING		
I TO MAINTAIN THE DOCUMENT IN CONFIDENCE		
II NOT TO REPRODUCE OR COPY IT		
III NOT TO REVEAL OR PUBLISH IN WHOLE OR PART		

APPLE COMPUTER INC.	SIZE	DRAWING NUMBER	REV.
	D	051-6951	06
SCALE	NONE	SHT OF	73 OF 86

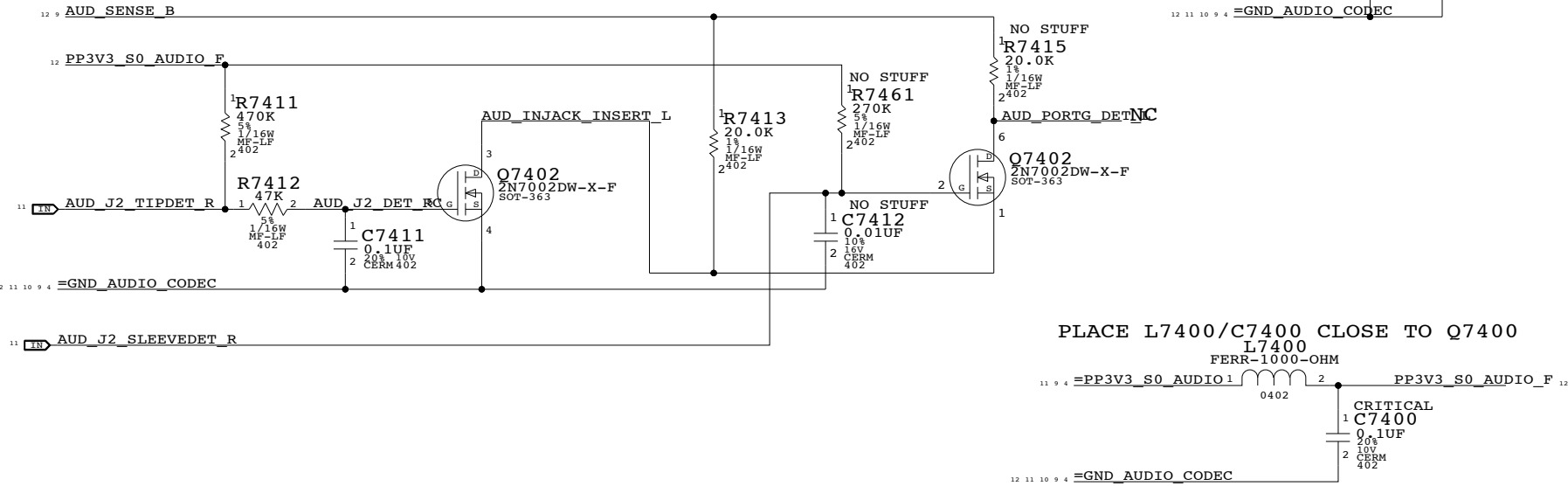
PORT A DETECT PORT E DETECT (E TELLS H TO TURN ON)



PORT B & C DETECT



PORT F DETECT PORT G DETECT

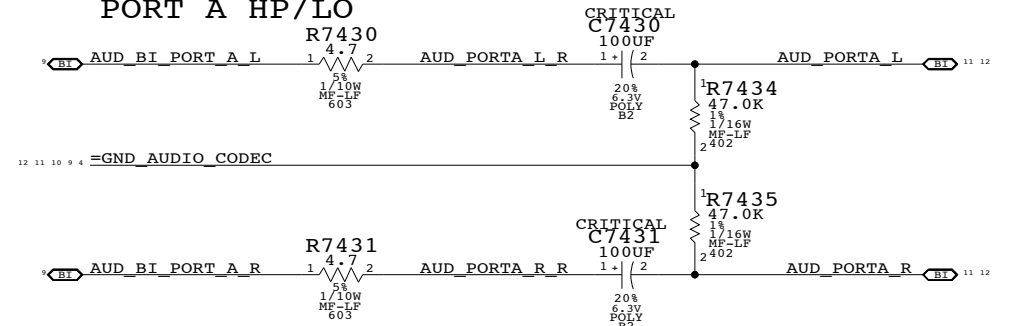


PLACE L7400/C7400 CLOSE TO Q7400

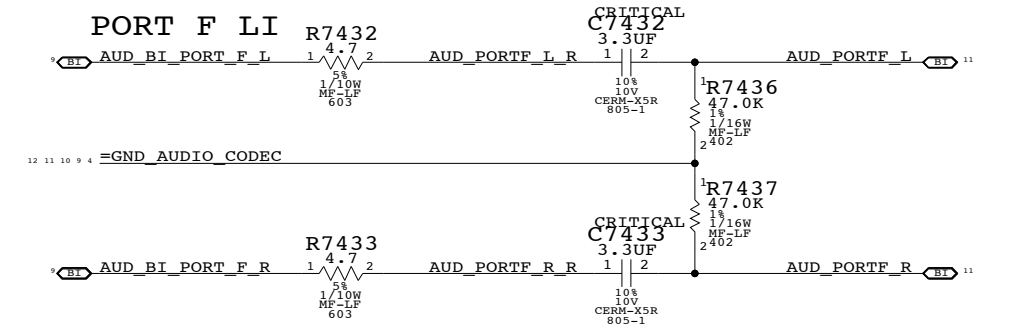
CODEC PORT ASSIGNMENTS

- PORT A : HEADPHONE/LINE OUT
- PORT B : MICROPHONE ON BOTH CH
- PORT C : SPEAKER AMP
- PORT D : UNUSED
- PORT E : SW USES TO TRIGGER DIGITAL OUT
- PORT F : LINE IN
- CD INPUT : UNUSED

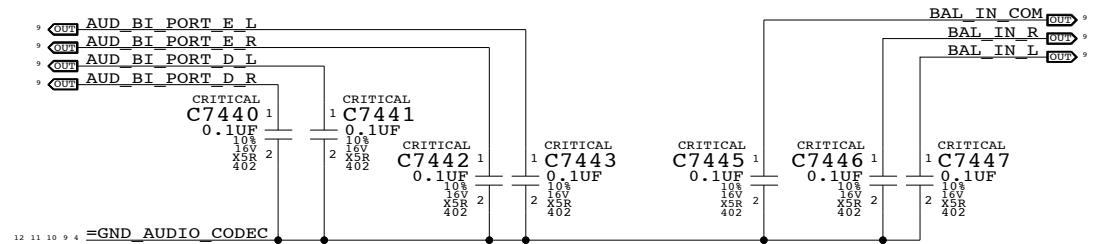
PORT A HP/LO



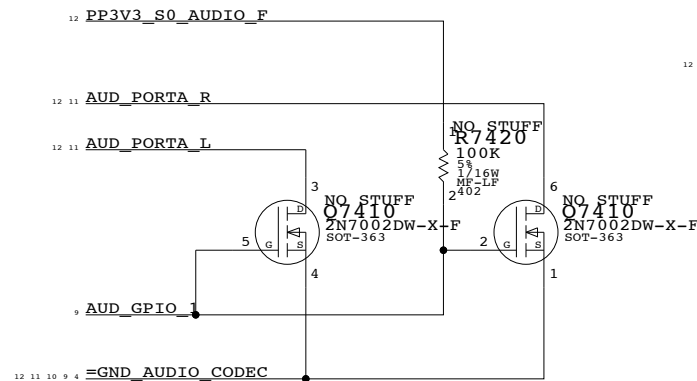
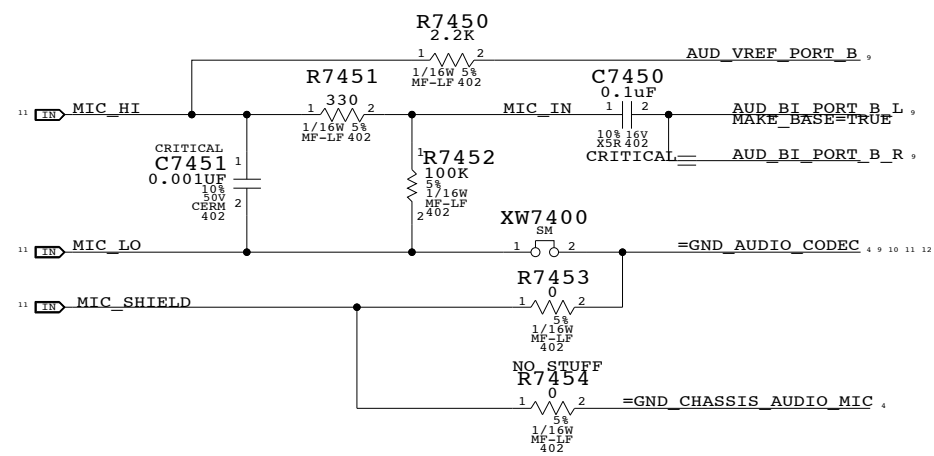
PORT F LI



UNUSED CODEC ANALOG PORT TERMINATIONS



MIC INPUT CIRCUITRY



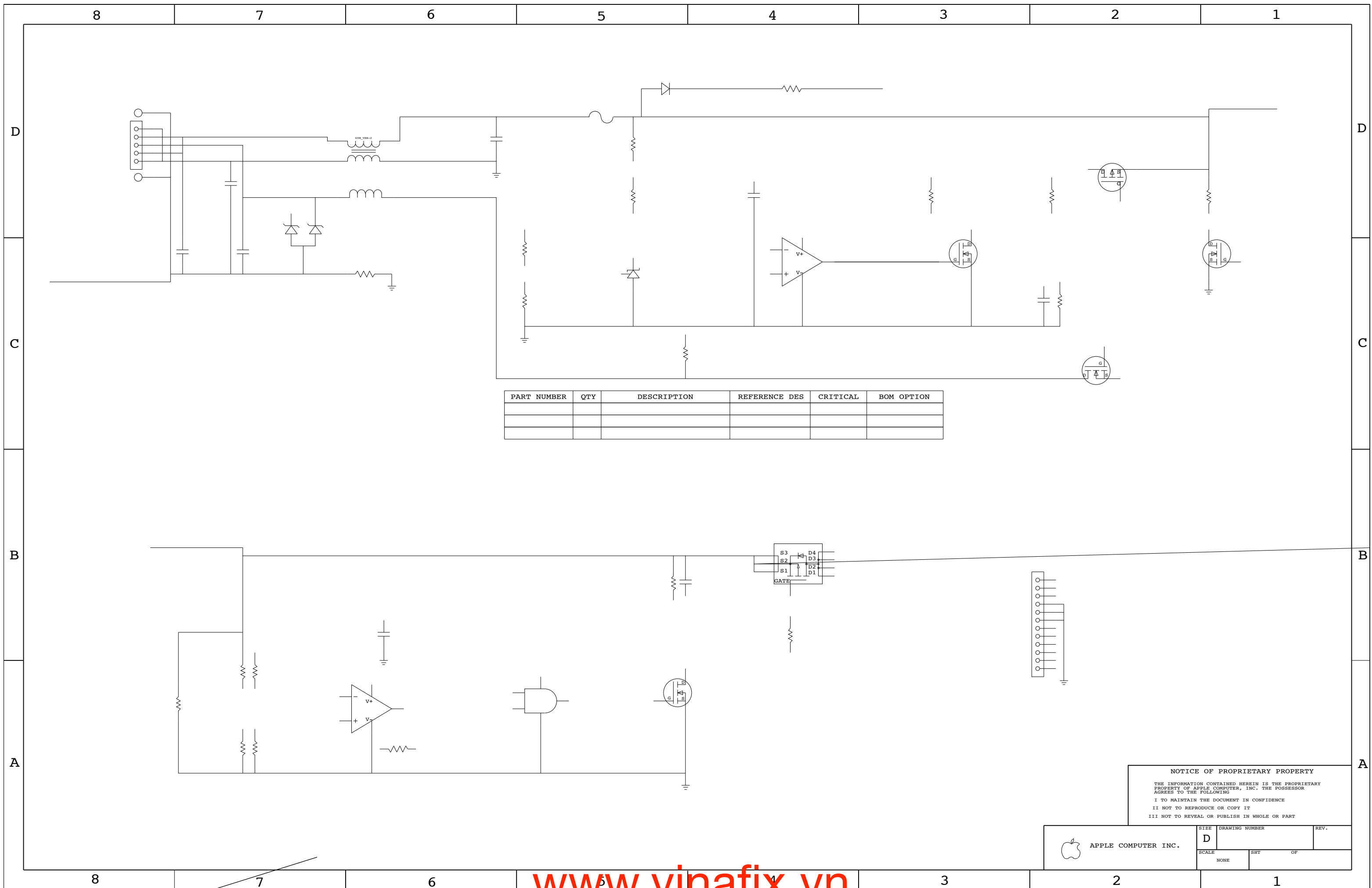
AUDIO: JACK TRANSLATORS

SYNC_MASTER=LENGO_M1_LIO SYNC_DATE=12/02/2005

NOTICE OF PROPRIETARY PROPERTY


THE INFORMATION CONTAINED HEREIN IS THE PROPRIETARY PROPERTY OF APPLE COMPUTER, INC. THE POSSESSOR AGREES TO THE FOLLOWING
 I TO MAINTAIN THE DOCUMENT IN CONFIDENCE
 II NOT TO REPRODUCE OR COPY IT
 III NOT TO REVEAL OR PUBLISH IN WHOLE OR PART

APPLE COMPUTER INC.	SIZE	DRAWING NUMBER	REV.
	D	051-6951	06
SCALE	SHT OF		
NONE	74		86



PART NUMBER	QTY	DESCRIPTION	REFERENCE DES	CRITICAL	BOM OPTION

NOTICE OF PROPRIETARY PROPERTY
 THE INFORMATION CONTAINED HEREIN IS THE PROPRIETARY PROPERTY OF APPLE COMPUTER, INC. THE POSSESSOR AGREES TO THE FOLLOWING
 I TO MAINTAIN THE DOCUMENT IN CONFIDENCE
 II NOT TO REPRODUCE OR COPY IT
 III NOT TO REVEAL OR PUBLISH IN WHOLE OR PART

 APPLE COMPUTER INC.	SIZE D	DRAWING NUMBER	REV.
	SCALE NONE	SHEET OF	

8

7

6

5

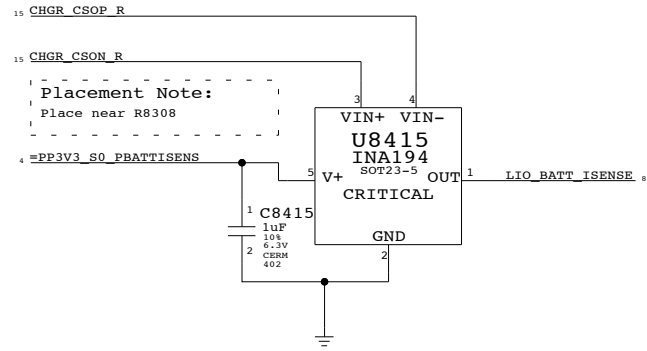
4

3

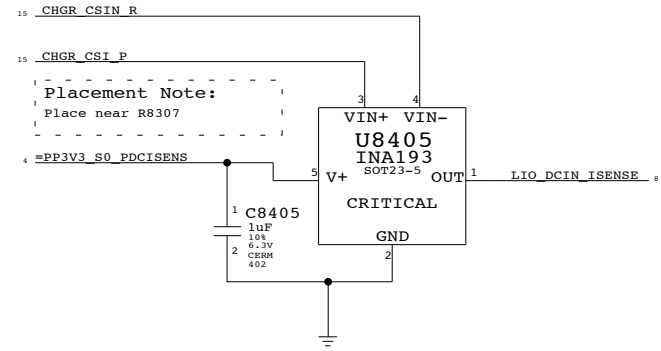
2

1

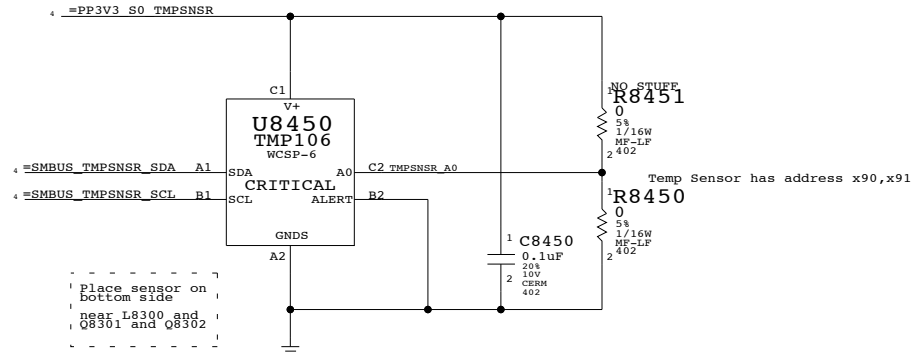
Battery Current Sense



DCIn Current Sense



TMP106 Thermal Sensor



Current & Thermal Sensors

SYNC_MASTER=(Master) SYNC_DATE=(Master)

NOTICE OF PROPRIETARY PROPERTY

THE INFORMATION CONTAINED HEREIN IS THE PROPRIETARY PROPERTY OF APPLE COMPUTER, INC. THE POSSESSOR AGREES TO THE FOLLOWING

- I TO MAINTAIN THE DOCUMENT IN CONFIDENCE
- II NOT TO REPRODUCE OR COPY IT
- III NOT TO REVEAL OR PUBLISH IN WHOLE OR PART

APPLE COMPUTER INC.	SIZE	DRAWING NUMBER	REV.
	D	051-6951	06
SCALE	SHT OF		
NONE	84 OF		86

8

7

6

5

4

3

2

1

8	7	6	5	4	3	2	1																																																																																																																																																																																																																																																																																																																																	
<p>Title: Basenet Report Design: buzz Date: Dec 2 9:16:54 2005</p> <p>Base nets and synonyms for buzz_lib.BUZZ(@buzz_lib.buzz(sch_1))</p> <table border="1"> <thead> <tr> <th>Base Signal</th> <th>Synonyms</th> <th>Location((Zone) dir))</th> </tr> </thead> <tbody> <tr> <td>3V3S3_BOOT</td> <td>3V3S3_BOOT - @buzz_lib.BUZZ</td> <td>1305</td> </tr> <tr> <td>3V3S3_BOOT_R</td> <td>3V3S3_BOOT_R - @buzz_lib.BUZZ</td> <td>1305</td> </tr> <tr> <td>3V3S3_COMP</td> <td>3V3S3_COMP - @buzz_lib.BUZZ</td> <td>1386</td> </tr> <tr> <td>3V3S3_COMP_R</td> <td>3V3S3_COMP_R - @buzz_lib.BUZZ</td> <td>1387</td> </tr> <tr> <td>3V3S3_FB</td> <td>3V3S3_FB - @buzz_lib.BUZZ</td> <td>1386</td> </tr> <tr> <td>3V3S3_FB_R</td> <td>3V3S3_FB_R - @buzz_lib.BUZZ</td> <td>1382</td> </tr> <tr> <td>3V3S3_FCCM</td> <td>3V3S3_FCCM - @buzz_lib.BUZZ</td> <td>1386</td> </tr> <tr> <td>3V3S3_FSET</td> <td>3V3S3_FSET - @buzz_lib.BUZZ</td> <td>1306</td> </tr> <tr> <td>3V3S3_ISEN</td> <td>3V3S3_ISEN - @buzz_lib.BUZZ</td> <td>1385</td> </tr> <tr> <td>3V3S3_LG</td> <td>3V3S3_LG - @buzz_lib.BUZZ</td> <td>1385</td> </tr> <tr> <td>3V3S3_PHASE</td> <td>3V3S3_PHASE - @buzz_lib.BUZZ</td> <td>1385</td> </tr> <tr> <td>3V3S3_UG</td> <td>3V3S3_UG - @buzz_lib.BUZZ</td> <td>1305</td> </tr> <tr> <td>5V_REG_IN</td> <td>5V_REG_IN - @buzz_lib.BUZZ</td> <td>983</td> </tr> <tr> <td>=BATT_NEG</td> <td>=BATT_NEG - @buzz_lib.BUZZ</td> <td>4A6 15A1</td> </tr> <tr> <td>=PPBATTNEG_G3H_LIO_CONN - @buzz_lib.BUZZ</td> <td>=PPBATTNEG_G3H_LIO_CONN - @buzz_lib.BUZZ</td> <td>4A8 14A1</td> </tr> <tr> <td>BATT_NEG - @buzz_lib.BUZZ</td> <td>BATT_NEG - @buzz_lib.BUZZ</td> <td>4A6</td> </tr> <tr> <td>=PPBATTNEG_G3H_LIO_CONN - @buzz_lib.BUZZ</td> <td>=PPBATTNEG_G3H_LIO_CONN - @buzz_lib.BUZZ</td> <td>4A8 14A1</td> </tr> <tr> <td>=BATT_POS</td> <td>=BATT_POS - @buzz_lib.BUZZ</td> <td>4A6 15B1</td> </tr> <tr> <td>=PPBATTPOS_G3H_LIO_CONN - @buzz_lib.BUZZ</td> <td>=PPBATTPOS_G3H_LIO_CONN - @buzz_lib.BUZZ</td> <td>4A8 14A1</td> </tr> <tr> <td>BATT_POS - @buzz_lib.BUZZ</td> <td>BATT_POS - @buzz_lib.BUZZ</td> <td>4A6</td> </tr> <tr> <td>=PPBATTPOS_G3H_LIO_CONN - @buzz_lib.BUZZ</td> <td>=PPBATTPOS_G3H_LIO_CONN - @buzz_lib.BUZZ</td> <td>4A8 14A1</td> </tr> <tr> <td>=GND_AUDIO</td> <td>=GND_AUDIO - @buzz_lib.BUZZ</td> <td>4B8 8B3</td> </tr> <tr> <td>=GND_AUDIO_CODECC - @buzz_lib.BUZZ</td> <td>=GND_AUDIO_CODECC - @buzz_lib.BUZZ</td> <td>4B6 9A5 9A6 986 9D2 10C7 11B2 11B5 12A3 12A5 12A6 12B5 12B8 12C3 12C3 12C5 12C8 12D8</td> </tr> <tr> <td>GND_AUDIO - @buzz_lib.BUZZ</td> <td>GND_AUDIO - @buzz_lib.BUZZ</td> <td>4B6</td> </tr> <tr> <td>=GND_AUDIO_CODECC - @buzz_lib.BUZZ</td> <td>=GND_AUDIO_CODECC - @buzz_lib.BUZZ</td> <td>4B6 9A5 9A6 986 9D2 10C7 11B2 11B5 12A3 12A5 12A6 12B5 12B8 12C3 12C3 12C5 12C8 12D8</td> </tr> <tr> <td>=GND_AUDIO_PWR</td> <td>=GND_AUDIO_PWR - @buzz_lib.BUZZ</td> <td>4B8 8B6 10A4 10A4 10A7 10A7 10B7 11C3</td> </tr> <tr> <td>GND_AUDIO_PWR - @buzz_lib.BUZZ</td> <td>GND_AUDIO_PWR - @buzz_lib.BUZZ</td> <td>4B6</td> </tr> <tr> <td>=GND_CHASSIS_AUDIO_JACK - @buzz_lib.BUZZ</td> <td>=GND_CHASSIS_AUDIO_JACK - @buzz_lib.BUZZ</td> <td>4B6 11A8 11B1 11B1 11B7 11C8</td> </tr> <tr> <td>CHASSIS_GND1 - @buzz_lib.BUZZ</td> <td>CHASSIS_GND1 - @buzz_lib.BUZZ</td> <td>4B8</td> </tr> <tr> <td>=GND_CHASSIS_AUDIO_MIC - @buzz_lib.BUZZ</td> <td>=GND_CHASSIS_AUDIO_MIC - @buzz_lib.BUZZ</td> <td>4A6 12A5</td> </tr> <tr> <td>CHASSIS_AUDIO_SPKRCONN - @buzz_lib.BUZZ</td> <td>CHASSIS_AUDIO_SPKRCONN - @buzz_lib.BUZZ</td> <td>4A6 11B1 11C3</td> </tr> <tr> <td>=GND_CHASSIS_PCIE_EXCARD - @buzz_lib.BUZZ</td> <td>=GND_CHASSIS_PCIE_EXCARD - @buzz_lib.BUZZ</td> <td>4A6 6B2</td> </tr> <tr> <td>CHASSIS_GND2 - @buzz_lib.BUZZ</td> <td>CHASSIS_GND2 - @buzz_lib.BUZZ</td> <td>4A8</td> </tr> <tr> <td>=GND_CHASSIS_PCIE_EXCARD - @buzz_lib.BUZZ</td> <td>=GND_CHASSIS_PCIE_EXCARD - @buzz_lib.BUZZ</td> <td>4A6 6B2</td> </tr> <tr> <td>CHASSIS_AUDIO_SPKRCONN - @buzz_lib.BUZZ</td> <td>CHASSIS_AUDIO_SPKRCONN - @buzz_lib.BUZZ</td> <td>4A6 11B1 11C3</td> </tr> <tr> <td>=GND_CHASSIS_DCIN_JACK - @buzz_lib.BUZZ</td> <td>=GND_CHASSIS_DCIN_JACK - @buzz_lib.BUZZ</td> <td>4A6 14C8</td> </tr> <tr> <td>CHASSIS_LTUSB - @buzz_lib.BUZZ</td> <td>CHASSIS_LTUSB - @buzz_lib.BUZZ</td> <td>4A6 5B2</td> </tr> <tr> <td>CHASSIS_GND3 - @buzz_lib.BUZZ</td> <td>CHASSIS_GND3 - @buzz_lib.BUZZ</td> <td>4A8</td> </tr> <tr> <td>=GND_CHASSIS_LTUSB - @buzz_lib.BUZZ</td> <td>=GND_CHASSIS_LTUSB - @buzz_lib.BUZZ</td> <td>4A6 5B2</td> </tr> <tr> <td>=LEFT_USB_PWRON</td> <td>=LEFT_USB_PWRON - @buzz_lib.BUZZ</td> <td>4D1 5C7 4D1 13B8</td> </tr> <tr> <td>=L10_P3V3S3_EN - @buzz_lib.BUZZ</td> <td>=L10_P3V3S3_EN - @buzz_lib.BUZZ</td> <td>4D3 8B6</td> </tr> <tr> <td>=L10_P3V3S3_EN - @buzz_lib.BUZZ</td> <td>=L10_P3V3S3_EN - @buzz_lib.BUZZ</td> <td>4D1 13B8</td> </tr> <tr> <td>PP1V5_S0</td> <td>PP1V5_S0 - @buzz_lib.BUZZ</td> <td>4C8 8C6</td> </tr> <tr> <td>PP1V5_S0_EXCARD - @buzz_lib.BUZZ</td> <td>PP1V5_S0_EXCARD - @buzz_lib.BUZZ</td> <td>4C6 6C7 6C8</td> </tr> <tr> <td>PP1V5_S0_MINI - @buzz_lib.BUZZ</td> <td>PP1V5_S0_MINI - @buzz_lib.BUZZ</td> <td>4C6 7C2</td> </tr> <tr> <td>PP1V5_S0 - @buzz_lib.BUZZ</td> <td>PP1V5_S0 - @buzz_lib.BUZZ</td> <td>4C6</td> </tr> <tr> <td>PP1V5_S0_MINI - @buzz_lib.BUZZ</td> <td>PP1V5_S0_MINI - @buzz_lib.BUZZ</td> <td>4C6 7C2</td> </tr> <tr> <td>PP1V5_S0_EXCARD - @buzz_lib.BUZZ</td> <td>PP1V5_S0_EXCARD - @buzz_lib.BUZZ</td> <td>4C6 6C7 6C8</td> </tr> <tr> <td>PP3V3_S0_AUDIO</td> <td>PP3V3_S0_AUDIO - @buzz_lib.BUZZ</td> <td>4C6 9B5 9D7 11B8 11D8 12A5</td> </tr> <tr> <td>PP3V3_S0_EXCARD - @buzz_lib.BUZZ</td> <td>PP3V3_S0_EXCARD - @buzz_lib.BUZZ</td> <td>4C6 5B4 6C7</td> </tr> <tr> <td>PP3V3_S0_FET - @buzz_lib.BUZZ</td> <td>PP3V3_S0_FET - @buzz_lib.BUZZ</td> <td>4C8 13C1</td> </tr> <tr> <td>PP3V3_S0_PDCISENS - @buzz_lib.BUZZ</td> <td>PP3V3_S0_PDCISENS - @buzz_lib.BUZZ</td> <td>4C6 16C4</td> </tr> <tr> <td>PP3V3_S0_TSPNSNR - @buzz_lib.BUZZ</td> <td>PP3V3_S0_TSPNSNR - @buzz_lib.BUZZ</td> <td>4C6 16B5</td> </tr> <tr> <td>PP3V3_S0_PBATTISENS - @buzz_lib.BUZZ</td> <td>PP3V3_S0_PBATTISENS - @buzz_lib.BUZZ</td> <td>4C6 16C7</td> </tr> <tr> <td>PP3V3_S0_MINI - @buzz_lib.BUZZ</td> <td>PP3V3_S0_MINI - @buzz_lib.BUZZ</td> <td>4C6 7D2</td> </tr> <tr> <td>PP3V3_S0_LIO - @buzz_lib.BUZZ</td> <td>PP3V3_S0_LIO - @buzz_lib.BUZZ</td> <td>4C6</td> </tr> <tr> <td>PP3V3_S0_TSPNSNR - @buzz_lib.BUZZ</td> <td>PP3V3_S0_TSPNSNR - @buzz_lib.BUZZ</td> <td>4C6 16B5</td> </tr> <tr> <td>PP3V3_S0_PDCISENS - @buzz_lib.BUZZ</td> <td>PP3V3_S0_PDCISENS - @buzz_lib.BUZZ</td> <td>4C6 16C4</td> </tr> <tr> <td>PP3V3_S0_PBATTISENS - @buzz_lib.BUZZ</td> <td>PP3V3_S0_PBATTISENS - @buzz_lib.BUZZ</td> <td>4C6 16C7</td> </tr> <tr> <td>PP3V3_S0_MINI - @buzz_lib.BUZZ</td> <td>PP3V3_S0_MINI - @buzz_lib.BUZZ</td> <td>4C6 7D2</td> </tr> <tr> <td>PP3V3_S0_FET - @buzz_lib.BUZZ</td> <td>PP3V3_S0_FET - @buzz_lib.BUZZ</td> <td>4C8 13C1</td> </tr> <tr> <td>PP3V3_S0_EXCARD - @buzz_lib.BUZZ</td> <td>PP3V3_S0_EXCARD - @buzz_lib.BUZZ</td> <td>4C6 6B4 6C7</td> </tr> <tr> <td>PP3V3_S3_EXCARD</td> <td>PP3V3_S3_EXCARD - @buzz_lib.BUZZ</td> <td>4C6 6A5 6B8 6C7 6C8 4C8 13B1</td> </tr> <tr> <td>PP3V3_S3_MINI - @buzz_lib.BUZZ</td> <td>PP3V3_S3_MINI - @buzz_lib.BUZZ</td> <td>4C6 7C2</td> </tr> <tr> <td>PP3V3_S3_LIO - @buzz_lib.BUZZ</td> <td>PP3V3_S3_LIO - @buzz_lib.BUZZ</td> <td>4C6</td> </tr> <tr> <td>PP3V3_S3_REG - @buzz_lib.BUZZ</td> <td>PP3V3_S3_REG - @buzz_lib.BUZZ</td> <td>4C8 13B1</td> </tr> <tr> <td>PP3V3_S3_MINI - @buzz_lib.BUZZ</td> <td>PP3V3_S3_MINI - @buzz_lib.BUZZ</td> <td>4C6 7C2</td> </tr> <tr> <td>PP3V42_G3H</td> <td>PP3V42_G3H - @buzz_lib.BUZZ</td> <td>4D8 8C6</td> </tr> <tr> <td>PP3V42_G3H_ACIN - @buzz_lib.BUZZ</td> <td>PP3V42_G3H_ACIN - @buzz_lib.BUZZ</td> <td>4C6 14B8 15B6</td> </tr> <tr> <td>PP3V42_G3H - @buzz_lib.BUZZ</td> <td>PP3V42_G3H - @buzz_lib.BUZZ</td> <td>4D6</td> </tr> <tr> <td>PP3V42_G3H_ACIN - @buzz_lib.BUZZ</td> <td>PP3V42_G3H_ACIN - @buzz_lib.BUZZ</td> <td>4C6 14B8 15B6</td> </tr> <tr> <td>PP5V_S0_AUDIO</td> <td>PP5V_S0_AUDIO - @buzz_lib.BUZZ</td> <td>4B8 8C6 9B5 10D7</td> </tr> <tr> <td>PP5V_S0_AUDIO_PWR</td> <td>PP5V_S0_AUDIO_PWR - @buzz_lib.BUZZ</td> <td>4B8 8C6 10D7</td> </tr> <tr> <td>PP5V_S0_AUDIO_PWR - @buzz_lib.BUZZ</td> <td>PP5V_S0_AUDIO_PWR - @buzz_lib.BUZZ</td> <td>4B6</td> </tr> <tr> <td>PP5V_S5</td> <td>PP5V_S5 - @buzz_lib.BUZZ</td> <td>4B8 8C6</td> </tr> <tr> <td>PP5V_S5_3V3S3 - @buzz_lib.BUZZ</td> <td>PP5V_S5_3V3S3 - @buzz_lib.BUZZ</td> <td>4B6 13C8</td> </tr> <tr> <td>PP5V_S5_LTUSB - @buzz_lib.BUZZ</td> <td>PP5V_S5_LTUSB - @buzz_lib.BUZZ</td> <td>4B6 5C7</td> </tr> <tr> <td>PP5V_S5 - @buzz_lib.BUZZ</td> <td>PP5V_S5 - @buzz_lib.BUZZ</td> <td>4B6</td> </tr> <tr> <td>PP5V_S5_LTUSB - @buzz_lib.BUZZ</td> <td>PP5V_S5_LTUSB - @buzz_lib.BUZZ</td> <td>4B6 5C7</td> </tr> <tr> <td>PP5V_S5_3V3S3 - @buzz_lib.BUZZ</td> <td>PP5V_S5_3V3S3 - @buzz_lib.BUZZ</td> <td>4B6 13C8</td> </tr> <tr> <td>PP18V5_G3H_CHGR</td> <td>PP18V5_G3H_CHGR - @buzz_lib.BUZZ</td> <td>4D6 15D8</td> </tr> <tr> <td>PP18V5_G3H_INRUSH - @buzz_lib.BUZZ</td> <td>PP18V5_G3H_INRUSH - @buzz_lib.BUZZ</td> <td>4D8 14B3</td> </tr> <tr> <td>PP18V5_G3H_CHGR - @buzz_lib.BUZZ</td> <td>PP18V5_G3H_CHGR - @buzz_lib.BUZZ</td> <td>4D6</td> </tr> <tr> <td>PP18V5_G3H_INRUSH - @buzz_lib.BUZZ</td> <td>PP18V5_G3H_INRUSH - @buzz_lib.BUZZ</td> <td>4D8 14B3</td> </tr> <tr> <td>PPBUS_G3H_LIO_CONN</td> <td>PPBUS_G3H_LIO_CONN - @buzz_lib.BUZZ</td> <td>4D6 14B1</td> </tr> <tr> <td>PPBATT_G3H_CHGR_REG - @buzz_lib.BUZZ</td> <td>PPBATT_G3H_CHGR_REG - @buzz_lib.BUZZ</td> <td>4D8 15C1</td> </tr> <tr> <td>PPVIN_S3_3V3S3 - @buzz_lib.BUZZ</td> <td>PPVIN_S3_3V3S3 - @buzz_lib.BUZZ</td> <td>4D6 13D8</td> </tr> <tr> <td>PPVBAT_G3H_CHGR_REG - @buzz_lib.BUZZ</td> <td>PPVBAT_G3H_CHGR_REG - @buzz_lib.BUZZ</td> <td>4D6</td> </tr> <tr> <td>PPVIN_S3_3V3S3 - @buzz_lib.BUZZ</td> <td>PPVIN_S3_3V3S3 - @buzz_lib.BUZZ</td> <td>4D6 13D8</td> </tr> <tr> <td>PPVBAT_G3H_CHGR_REG - @buzz_lib.BUZZ</td> <td>PPVBAT_G3H_CHGR_REG - @buzz_lib.BUZZ</td> <td>4D8 15C1</td> </tr> </tbody> </table>								Base Signal	Synonyms	Location((Zone) dir))	3V3S3_BOOT	3V3S3_BOOT - @buzz_lib.BUZZ	1305	3V3S3_BOOT_R	3V3S3_BOOT_R - @buzz_lib.BUZZ	1305	3V3S3_COMP	3V3S3_COMP - @buzz_lib.BUZZ	1386	3V3S3_COMP_R	3V3S3_COMP_R - @buzz_lib.BUZZ	1387	3V3S3_FB	3V3S3_FB - @buzz_lib.BUZZ	1386	3V3S3_FB_R	3V3S3_FB_R - @buzz_lib.BUZZ	1382	3V3S3_FCCM	3V3S3_FCCM - @buzz_lib.BUZZ	1386	3V3S3_FSET	3V3S3_FSET - @buzz_lib.BUZZ	1306	3V3S3_ISEN	3V3S3_ISEN - @buzz_lib.BUZZ	1385	3V3S3_LG	3V3S3_LG - @buzz_lib.BUZZ	1385	3V3S3_PHASE	3V3S3_PHASE - @buzz_lib.BUZZ	1385	3V3S3_UG	3V3S3_UG - @buzz_lib.BUZZ	1305	5V_REG_IN	5V_REG_IN - @buzz_lib.BUZZ	983	=BATT_NEG	=BATT_NEG - @buzz_lib.BUZZ	4A6 15A1	=PPBATTNEG_G3H_LIO_CONN - @buzz_lib.BUZZ	=PPBATTNEG_G3H_LIO_CONN - @buzz_lib.BUZZ	4A8 14A1	BATT_NEG - @buzz_lib.BUZZ	BATT_NEG - @buzz_lib.BUZZ	4A6	=PPBATTNEG_G3H_LIO_CONN - @buzz_lib.BUZZ	=PPBATTNEG_G3H_LIO_CONN - @buzz_lib.BUZZ	4A8 14A1	=BATT_POS	=BATT_POS - @buzz_lib.BUZZ	4A6 15B1	=PPBATTPOS_G3H_LIO_CONN - @buzz_lib.BUZZ	=PPBATTPOS_G3H_LIO_CONN - @buzz_lib.BUZZ	4A8 14A1	BATT_POS - @buzz_lib.BUZZ	BATT_POS - @buzz_lib.BUZZ	4A6	=PPBATTPOS_G3H_LIO_CONN - @buzz_lib.BUZZ	=PPBATTPOS_G3H_LIO_CONN - @buzz_lib.BUZZ	4A8 14A1	=GND_AUDIO	=GND_AUDIO - @buzz_lib.BUZZ	4B8 8B3	=GND_AUDIO_CODECC - @buzz_lib.BUZZ	=GND_AUDIO_CODECC - @buzz_lib.BUZZ	4B6 9A5 9A6 986 9D2 10C7 11B2 11B5 12A3 12A5 12A6 12B5 12B8 12C3 12C3 12C5 12C8 12D8	GND_AUDIO - @buzz_lib.BUZZ	GND_AUDIO - @buzz_lib.BUZZ	4B6	=GND_AUDIO_CODECC - @buzz_lib.BUZZ	=GND_AUDIO_CODECC - @buzz_lib.BUZZ	4B6 9A5 9A6 986 9D2 10C7 11B2 11B5 12A3 12A5 12A6 12B5 12B8 12C3 12C3 12C5 12C8 12D8	=GND_AUDIO_PWR	=GND_AUDIO_PWR - @buzz_lib.BUZZ	4B8 8B6 10A4 10A4 10A7 10A7 10B7 11C3	GND_AUDIO_PWR - @buzz_lib.BUZZ	GND_AUDIO_PWR - @buzz_lib.BUZZ	4B6	=GND_CHASSIS_AUDIO_JACK - @buzz_lib.BUZZ	=GND_CHASSIS_AUDIO_JACK - @buzz_lib.BUZZ	4B6 11A8 11B1 11B1 11B7 11C8	CHASSIS_GND1 - @buzz_lib.BUZZ	CHASSIS_GND1 - @buzz_lib.BUZZ	4B8	=GND_CHASSIS_AUDIO_MIC - @buzz_lib.BUZZ	=GND_CHASSIS_AUDIO_MIC - @buzz_lib.BUZZ	4A6 12A5	CHASSIS_AUDIO_SPKRCONN - @buzz_lib.BUZZ	CHASSIS_AUDIO_SPKRCONN - @buzz_lib.BUZZ	4A6 11B1 11C3	=GND_CHASSIS_PCIE_EXCARD - @buzz_lib.BUZZ	=GND_CHASSIS_PCIE_EXCARD - @buzz_lib.BUZZ	4A6 6B2	CHASSIS_GND2 - @buzz_lib.BUZZ	CHASSIS_GND2 - @buzz_lib.BUZZ	4A8	=GND_CHASSIS_PCIE_EXCARD - @buzz_lib.BUZZ	=GND_CHASSIS_PCIE_EXCARD - @buzz_lib.BUZZ	4A6 6B2	CHASSIS_AUDIO_SPKRCONN - @buzz_lib.BUZZ	CHASSIS_AUDIO_SPKRCONN - @buzz_lib.BUZZ	4A6 11B1 11C3	=GND_CHASSIS_DCIN_JACK - @buzz_lib.BUZZ	=GND_CHASSIS_DCIN_JACK - @buzz_lib.BUZZ	4A6 14C8	CHASSIS_LTUSB - @buzz_lib.BUZZ	CHASSIS_LTUSB - @buzz_lib.BUZZ	4A6 5B2	CHASSIS_GND3 - @buzz_lib.BUZZ	CHASSIS_GND3 - @buzz_lib.BUZZ	4A8	=GND_CHASSIS_LTUSB - @buzz_lib.BUZZ	=GND_CHASSIS_LTUSB - @buzz_lib.BUZZ	4A6 5B2	=LEFT_USB_PWRON	=LEFT_USB_PWRON - @buzz_lib.BUZZ	4D1 5C7 4D1 13B8	=L10_P3V3S3_EN - @buzz_lib.BUZZ	=L10_P3V3S3_EN - @buzz_lib.BUZZ	4D3 8B6	=L10_P3V3S3_EN - @buzz_lib.BUZZ	=L10_P3V3S3_EN - @buzz_lib.BUZZ	4D1 13B8	PP1V5_S0	PP1V5_S0 - @buzz_lib.BUZZ	4C8 8C6	PP1V5_S0_EXCARD - @buzz_lib.BUZZ	PP1V5_S0_EXCARD - @buzz_lib.BUZZ	4C6 6C7 6C8	PP1V5_S0_MINI - @buzz_lib.BUZZ	PP1V5_S0_MINI - @buzz_lib.BUZZ	4C6 7C2	PP1V5_S0 - @buzz_lib.BUZZ	PP1V5_S0 - @buzz_lib.BUZZ	4C6	PP1V5_S0_MINI - @buzz_lib.BUZZ	PP1V5_S0_MINI - @buzz_lib.BUZZ	4C6 7C2	PP1V5_S0_EXCARD - @buzz_lib.BUZZ	PP1V5_S0_EXCARD - @buzz_lib.BUZZ	4C6 6C7 6C8	PP3V3_S0_AUDIO	PP3V3_S0_AUDIO - @buzz_lib.BUZZ	4C6 9B5 9D7 11B8 11D8 12A5	PP3V3_S0_EXCARD - @buzz_lib.BUZZ	PP3V3_S0_EXCARD - @buzz_lib.BUZZ	4C6 5B4 6C7	PP3V3_S0_FET - @buzz_lib.BUZZ	PP3V3_S0_FET - @buzz_lib.BUZZ	4C8 13C1	PP3V3_S0_PDCISENS - @buzz_lib.BUZZ	PP3V3_S0_PDCISENS - @buzz_lib.BUZZ	4C6 16C4	PP3V3_S0_TSPNSNR - @buzz_lib.BUZZ	PP3V3_S0_TSPNSNR - @buzz_lib.BUZZ	4C6 16B5	PP3V3_S0_PBATTISENS - @buzz_lib.BUZZ	PP3V3_S0_PBATTISENS - @buzz_lib.BUZZ	4C6 16C7	PP3V3_S0_MINI - @buzz_lib.BUZZ	PP3V3_S0_MINI - @buzz_lib.BUZZ	4C6 7D2	PP3V3_S0_LIO - @buzz_lib.BUZZ	PP3V3_S0_LIO - @buzz_lib.BUZZ	4C6	PP3V3_S0_TSPNSNR - @buzz_lib.BUZZ	PP3V3_S0_TSPNSNR - @buzz_lib.BUZZ	4C6 16B5	PP3V3_S0_PDCISENS - @buzz_lib.BUZZ	PP3V3_S0_PDCISENS - @buzz_lib.BUZZ	4C6 16C4	PP3V3_S0_PBATTISENS - @buzz_lib.BUZZ	PP3V3_S0_PBATTISENS - @buzz_lib.BUZZ	4C6 16C7	PP3V3_S0_MINI - @buzz_lib.BUZZ	PP3V3_S0_MINI - @buzz_lib.BUZZ	4C6 7D2	PP3V3_S0_FET - @buzz_lib.BUZZ	PP3V3_S0_FET - @buzz_lib.BUZZ	4C8 13C1	PP3V3_S0_EXCARD - @buzz_lib.BUZZ	PP3V3_S0_EXCARD - @buzz_lib.BUZZ	4C6 6B4 6C7	PP3V3_S3_EXCARD	PP3V3_S3_EXCARD - @buzz_lib.BUZZ	4C6 6A5 6B8 6C7 6C8 4C8 13B1	PP3V3_S3_MINI - @buzz_lib.BUZZ	PP3V3_S3_MINI - @buzz_lib.BUZZ	4C6 7C2	PP3V3_S3_LIO - @buzz_lib.BUZZ	PP3V3_S3_LIO - @buzz_lib.BUZZ	4C6	PP3V3_S3_REG - @buzz_lib.BUZZ	PP3V3_S3_REG - @buzz_lib.BUZZ	4C8 13B1	PP3V3_S3_MINI - @buzz_lib.BUZZ	PP3V3_S3_MINI - @buzz_lib.BUZZ	4C6 7C2	PP3V42_G3H	PP3V42_G3H - @buzz_lib.BUZZ	4D8 8C6	PP3V42_G3H_ACIN - @buzz_lib.BUZZ	PP3V42_G3H_ACIN - @buzz_lib.BUZZ	4C6 14B8 15B6	PP3V42_G3H - @buzz_lib.BUZZ	PP3V42_G3H - @buzz_lib.BUZZ	4D6	PP3V42_G3H_ACIN - @buzz_lib.BUZZ	PP3V42_G3H_ACIN - @buzz_lib.BUZZ	4C6 14B8 15B6	PP5V_S0_AUDIO	PP5V_S0_AUDIO - @buzz_lib.BUZZ	4B8 8C6 9B5 10D7	PP5V_S0_AUDIO_PWR	PP5V_S0_AUDIO_PWR - @buzz_lib.BUZZ	4B8 8C6 10D7	PP5V_S0_AUDIO_PWR - @buzz_lib.BUZZ	PP5V_S0_AUDIO_PWR - @buzz_lib.BUZZ	4B6	PP5V_S5	PP5V_S5 - @buzz_lib.BUZZ	4B8 8C6	PP5V_S5_3V3S3 - @buzz_lib.BUZZ	PP5V_S5_3V3S3 - @buzz_lib.BUZZ	4B6 13C8	PP5V_S5_LTUSB - @buzz_lib.BUZZ	PP5V_S5_LTUSB - @buzz_lib.BUZZ	4B6 5C7	PP5V_S5 - @buzz_lib.BUZZ	PP5V_S5 - @buzz_lib.BUZZ	4B6	PP5V_S5_LTUSB - @buzz_lib.BUZZ	PP5V_S5_LTUSB - @buzz_lib.BUZZ	4B6 5C7	PP5V_S5_3V3S3 - @buzz_lib.BUZZ	PP5V_S5_3V3S3 - @buzz_lib.BUZZ	4B6 13C8	PP18V5_G3H_CHGR	PP18V5_G3H_CHGR - @buzz_lib.BUZZ	4D6 15D8	PP18V5_G3H_INRUSH - @buzz_lib.BUZZ	PP18V5_G3H_INRUSH - @buzz_lib.BUZZ	4D8 14B3	PP18V5_G3H_CHGR - @buzz_lib.BUZZ	PP18V5_G3H_CHGR - @buzz_lib.BUZZ	4D6	PP18V5_G3H_INRUSH - @buzz_lib.BUZZ	PP18V5_G3H_INRUSH - @buzz_lib.BUZZ	4D8 14B3	PPBUS_G3H_LIO_CONN	PPBUS_G3H_LIO_CONN - @buzz_lib.BUZZ	4D6 14B1	PPBATT_G3H_CHGR_REG - @buzz_lib.BUZZ	PPBATT_G3H_CHGR_REG - @buzz_lib.BUZZ	4D8 15C1	PPVIN_S3_3V3S3 - @buzz_lib.BUZZ	PPVIN_S3_3V3S3 - @buzz_lib.BUZZ	4D6 13D8	PPVBAT_G3H_CHGR_REG - @buzz_lib.BUZZ	PPVBAT_G3H_CHGR_REG - @buzz_lib.BUZZ	4D6	PPVIN_S3_3V3S3 - @buzz_lib.BUZZ	PPVIN_S3_3V3S3 - @buzz_lib.BUZZ	4D6 13D8	PPVBAT_G3H_CHGR_REG - @buzz_lib.BUZZ	PPVBAT_G3H_CHGR_REG - @buzz_lib.BUZZ	4D8 15C1																																																
Base Signal	Synonyms	Location((Zone) dir))																																																																																																																																																																																																																																																																																																																																						
3V3S3_BOOT	3V3S3_BOOT - @buzz_lib.BUZZ	1305																																																																																																																																																																																																																																																																																																																																						
3V3S3_BOOT_R	3V3S3_BOOT_R - @buzz_lib.BUZZ	1305																																																																																																																																																																																																																																																																																																																																						
3V3S3_COMP	3V3S3_COMP - @buzz_lib.BUZZ	1386																																																																																																																																																																																																																																																																																																																																						
3V3S3_COMP_R	3V3S3_COMP_R - @buzz_lib.BUZZ	1387																																																																																																																																																																																																																																																																																																																																						
3V3S3_FB	3V3S3_FB - @buzz_lib.BUZZ	1386																																																																																																																																																																																																																																																																																																																																						
3V3S3_FB_R	3V3S3_FB_R - @buzz_lib.BUZZ	1382																																																																																																																																																																																																																																																																																																																																						
3V3S3_FCCM	3V3S3_FCCM - @buzz_lib.BUZZ	1386																																																																																																																																																																																																																																																																																																																																						
3V3S3_FSET	3V3S3_FSET - @buzz_lib.BUZZ	1306																																																																																																																																																																																																																																																																																																																																						
3V3S3_ISEN	3V3S3_ISEN - @buzz_lib.BUZZ	1385																																																																																																																																																																																																																																																																																																																																						
3V3S3_LG	3V3S3_LG - @buzz_lib.BUZZ	1385																																																																																																																																																																																																																																																																																																																																						
3V3S3_PHASE	3V3S3_PHASE - @buzz_lib.BUZZ	1385																																																																																																																																																																																																																																																																																																																																						
3V3S3_UG	3V3S3_UG - @buzz_lib.BUZZ	1305																																																																																																																																																																																																																																																																																																																																						
5V_REG_IN	5V_REG_IN - @buzz_lib.BUZZ	983																																																																																																																																																																																																																																																																																																																																						
=BATT_NEG	=BATT_NEG - @buzz_lib.BUZZ	4A6 15A1																																																																																																																																																																																																																																																																																																																																						
=PPBATTNEG_G3H_LIO_CONN - @buzz_lib.BUZZ	=PPBATTNEG_G3H_LIO_CONN - @buzz_lib.BUZZ	4A8 14A1																																																																																																																																																																																																																																																																																																																																						
BATT_NEG - @buzz_lib.BUZZ	BATT_NEG - @buzz_lib.BUZZ	4A6																																																																																																																																																																																																																																																																																																																																						
=PPBATTNEG_G3H_LIO_CONN - @buzz_lib.BUZZ	=PPBATTNEG_G3H_LIO_CONN - @buzz_lib.BUZZ	4A8 14A1																																																																																																																																																																																																																																																																																																																																						
=BATT_POS	=BATT_POS - @buzz_lib.BUZZ	4A6 15B1																																																																																																																																																																																																																																																																																																																																						
=PPBATTPOS_G3H_LIO_CONN - @buzz_lib.BUZZ	=PPBATTPOS_G3H_LIO_CONN - @buzz_lib.BUZZ	4A8 14A1																																																																																																																																																																																																																																																																																																																																						
BATT_POS - @buzz_lib.BUZZ	BATT_POS - @buzz_lib.BUZZ	4A6																																																																																																																																																																																																																																																																																																																																						
=PPBATTPOS_G3H_LIO_CONN - @buzz_lib.BUZZ	=PPBATTPOS_G3H_LIO_CONN - @buzz_lib.BUZZ	4A8 14A1																																																																																																																																																																																																																																																																																																																																						
=GND_AUDIO	=GND_AUDIO - @buzz_lib.BUZZ	4B8 8B3																																																																																																																																																																																																																																																																																																																																						
=GND_AUDIO_CODECC - @buzz_lib.BUZZ	=GND_AUDIO_CODECC - @buzz_lib.BUZZ	4B6 9A5 9A6 986 9D2 10C7 11B2 11B5 12A3 12A5 12A6 12B5 12B8 12C3 12C3 12C5 12C8 12D8																																																																																																																																																																																																																																																																																																																																						
GND_AUDIO - @buzz_lib.BUZZ	GND_AUDIO - @buzz_lib.BUZZ	4B6																																																																																																																																																																																																																																																																																																																																						
=GND_AUDIO_CODECC - @buzz_lib.BUZZ	=GND_AUDIO_CODECC - @buzz_lib.BUZZ	4B6 9A5 9A6 986 9D2 10C7 11B2 11B5 12A3 12A5 12A6 12B5 12B8 12C3 12C3 12C5 12C8 12D8																																																																																																																																																																																																																																																																																																																																						
=GND_AUDIO_PWR	=GND_AUDIO_PWR - @buzz_lib.BUZZ	4B8 8B6 10A4 10A4 10A7 10A7 10B7 11C3																																																																																																																																																																																																																																																																																																																																						
GND_AUDIO_PWR - @buzz_lib.BUZZ	GND_AUDIO_PWR - @buzz_lib.BUZZ	4B6																																																																																																																																																																																																																																																																																																																																						
=GND_CHASSIS_AUDIO_JACK - @buzz_lib.BUZZ	=GND_CHASSIS_AUDIO_JACK - @buzz_lib.BUZZ	4B6 11A8 11B1 11B1 11B7 11C8																																																																																																																																																																																																																																																																																																																																						
CHASSIS_GND1 - @buzz_lib.BUZZ	CHASSIS_GND1 - @buzz_lib.BUZZ	4B8																																																																																																																																																																																																																																																																																																																																						
=GND_CHASSIS_AUDIO_MIC - @buzz_lib.BUZZ	=GND_CHASSIS_AUDIO_MIC - @buzz_lib.BUZZ	4A6 12A5																																																																																																																																																																																																																																																																																																																																						
CHASSIS_AUDIO_SPKRCONN - @buzz_lib.BUZZ	CHASSIS_AUDIO_SPKRCONN - @buzz_lib.BUZZ	4A6 11B1 11C3																																																																																																																																																																																																																																																																																																																																						
=GND_CHASSIS_PCIE_EXCARD - @buzz_lib.BUZZ	=GND_CHASSIS_PCIE_EXCARD - @buzz_lib.BUZZ	4A6 6B2																																																																																																																																																																																																																																																																																																																																						
CHASSIS_GND2 - @buzz_lib.BUZZ	CHASSIS_GND2 - @buzz_lib.BUZZ	4A8																																																																																																																																																																																																																																																																																																																																						
=GND_CHASSIS_PCIE_EXCARD - @buzz_lib.BUZZ	=GND_CHASSIS_PCIE_EXCARD - @buzz_lib.BUZZ	4A6 6B2																																																																																																																																																																																																																																																																																																																																						
CHASSIS_AUDIO_SPKRCONN - @buzz_lib.BUZZ	CHASSIS_AUDIO_SPKRCONN - @buzz_lib.BUZZ	4A6 11B1 11C3																																																																																																																																																																																																																																																																																																																																						
=GND_CHASSIS_DCIN_JACK - @buzz_lib.BUZZ	=GND_CHASSIS_DCIN_JACK - @buzz_lib.BUZZ	4A6 14C8																																																																																																																																																																																																																																																																																																																																						
CHASSIS_LTUSB - @buzz_lib.BUZZ	CHASSIS_LTUSB - @buzz_lib.BUZZ	4A6 5B2																																																																																																																																																																																																																																																																																																																																						
CHASSIS_GND3 - @buzz_lib.BUZZ	CHASSIS_GND3 - @buzz_lib.BUZZ	4A8																																																																																																																																																																																																																																																																																																																																						
=GND_CHASSIS_LTUSB - @buzz_lib.BUZZ	=GND_CHASSIS_LTUSB - @buzz_lib.BUZZ	4A6 5B2																																																																																																																																																																																																																																																																																																																																						
=LEFT_USB_PWRON	=LEFT_USB_PWRON - @buzz_lib.BUZZ	4D1 5C7 4D1 13B8																																																																																																																																																																																																																																																																																																																																						
=L10_P3V3S3_EN - @buzz_lib.BUZZ	=L10_P3V3S3_EN - @buzz_lib.BUZZ	4D3 8B6																																																																																																																																																																																																																																																																																																																																						
=L10_P3V3S3_EN - @buzz_lib.BUZZ	=L10_P3V3S3_EN - @buzz_lib.BUZZ	4D1 13B8																																																																																																																																																																																																																																																																																																																																						
PP1V5_S0	PP1V5_S0 - @buzz_lib.BUZZ	4C8 8C6																																																																																																																																																																																																																																																																																																																																						
PP1V5_S0_EXCARD - @buzz_lib.BUZZ	PP1V5_S0_EXCARD - @buzz_lib.BUZZ	4C6 6C7 6C8																																																																																																																																																																																																																																																																																																																																						
PP1V5_S0_MINI - @buzz_lib.BUZZ	PP1V5_S0_MINI - @buzz_lib.BUZZ	4C6 7C2																																																																																																																																																																																																																																																																																																																																						
PP1V5_S0 - @buzz_lib.BUZZ	PP1V5_S0 - @buzz_lib.BUZZ	4C6																																																																																																																																																																																																																																																																																																																																						
PP1V5_S0_MINI - @buzz_lib.BUZZ	PP1V5_S0_MINI - @buzz_lib.BUZZ	4C6 7C2																																																																																																																																																																																																																																																																																																																																						
PP1V5_S0_EXCARD - @buzz_lib.BUZZ	PP1V5_S0_EXCARD - @buzz_lib.BUZZ	4C6 6C7 6C8																																																																																																																																																																																																																																																																																																																																						
PP3V3_S0_AUDIO	PP3V3_S0_AUDIO - @buzz_lib.BUZZ	4C6 9B5 9D7 11B8 11D8 12A5																																																																																																																																																																																																																																																																																																																																						
PP3V3_S0_EXCARD - @buzz_lib.BUZZ	PP3V3_S0_EXCARD - @buzz_lib.BUZZ	4C6 5B4 6C7																																																																																																																																																																																																																																																																																																																																						
PP3V3_S0_FET - @buzz_lib.BUZZ	PP3V3_S0_FET - @buzz_lib.BUZZ	4C8 13C1																																																																																																																																																																																																																																																																																																																																						
PP3V3_S0_PDCISENS - @buzz_lib.BUZZ	PP3V3_S0_PDCISENS - @buzz_lib.BUZZ	4C6 16C4																																																																																																																																																																																																																																																																																																																																						
PP3V3_S0_TSPNSNR - @buzz_lib.BUZZ	PP3V3_S0_TSPNSNR - @buzz_lib.BUZZ	4C6 16B5																																																																																																																																																																																																																																																																																																																																						
PP3V3_S0_PBATTISENS - @buzz_lib.BUZZ	PP3V3_S0_PBATTISENS - @buzz_lib.BUZZ	4C6 16C7																																																																																																																																																																																																																																																																																																																																						
PP3V3_S0_MINI - @buzz_lib.BUZZ	PP3V3_S0_MINI - @buzz_lib.BUZZ	4C6 7D2																																																																																																																																																																																																																																																																																																																																						
PP3V3_S0_LIO - @buzz_lib.BUZZ	PP3V3_S0_LIO - @buzz_lib.BUZZ	4C6																																																																																																																																																																																																																																																																																																																																						
PP3V3_S0_TSPNSNR - @buzz_lib.BUZZ	PP3V3_S0_TSPNSNR - @buzz_lib.BUZZ	4C6 16B5																																																																																																																																																																																																																																																																																																																																						
PP3V3_S0_PDCISENS - @buzz_lib.BUZZ	PP3V3_S0_PDCISENS - @buzz_lib.BUZZ	4C6 16C4																																																																																																																																																																																																																																																																																																																																						
PP3V3_S0_PBATTISENS - @buzz_lib.BUZZ	PP3V3_S0_PBATTISENS - @buzz_lib.BUZZ	4C6 16C7																																																																																																																																																																																																																																																																																																																																						
PP3V3_S0_MINI - @buzz_lib.BUZZ	PP3V3_S0_MINI - @buzz_lib.BUZZ	4C6 7D2																																																																																																																																																																																																																																																																																																																																						
PP3V3_S0_FET - @buzz_lib.BUZZ	PP3V3_S0_FET - @buzz_lib.BUZZ	4C8 13C1																																																																																																																																																																																																																																																																																																																																						
PP3V3_S0_EXCARD - @buzz_lib.BUZZ	PP3V3_S0_EXCARD - @buzz_lib.BUZZ	4C6 6B4 6C7																																																																																																																																																																																																																																																																																																																																						
PP3V3_S3_EXCARD	PP3V3_S3_EXCARD - @buzz_lib.BUZZ	4C6 6A5 6B8 6C7 6C8 4C8 13B1																																																																																																																																																																																																																																																																																																																																						
PP3V3_S3_MINI - @buzz_lib.BUZZ	PP3V3_S3_MINI - @buzz_lib.BUZZ	4C6 7C2																																																																																																																																																																																																																																																																																																																																						
PP3V3_S3_LIO - @buzz_lib.BUZZ	PP3V3_S3_LIO - @buzz_lib.BUZZ	4C6																																																																																																																																																																																																																																																																																																																																						
PP3V3_S3_REG - @buzz_lib.BUZZ	PP3V3_S3_REG - @buzz_lib.BUZZ	4C8 13B1																																																																																																																																																																																																																																																																																																																																						
PP3V3_S3_MINI - @buzz_lib.BUZZ	PP3V3_S3_MINI - @buzz_lib.BUZZ	4C6 7C2																																																																																																																																																																																																																																																																																																																																						
PP3V42_G3H	PP3V42_G3H - @buzz_lib.BUZZ	4D8 8C6																																																																																																																																																																																																																																																																																																																																						
PP3V42_G3H_ACIN - @buzz_lib.BUZZ	PP3V42_G3H_ACIN - @buzz_lib.BUZZ	4C6 14B8 15B6																																																																																																																																																																																																																																																																																																																																						
PP3V42_G3H - @buzz_lib.BUZZ	PP3V42_G3H - @buzz_lib.BUZZ	4D6																																																																																																																																																																																																																																																																																																																																						
PP3V42_G3H_ACIN - @buzz_lib.BUZZ	PP3V42_G3H_ACIN - @buzz_lib.BUZZ	4C6 14B8 15B6																																																																																																																																																																																																																																																																																																																																						
PP5V_S0_AUDIO	PP5V_S0_AUDIO - @buzz_lib.BUZZ	4B8 8C6 9B5 10D7																																																																																																																																																																																																																																																																																																																																						
PP5V_S0_AUDIO_PWR	PP5V_S0_AUDIO_PWR - @buzz_lib.BUZZ	4B8 8C6 10D7																																																																																																																																																																																																																																																																																																																																						
PP5V_S0_AUDIO_PWR - @buzz_lib.BUZZ	PP5V_S0_AUDIO_PWR - @buzz_lib.BUZZ	4B6																																																																																																																																																																																																																																																																																																																																						
PP5V_S5	PP5V_S5 - @buzz_lib.BUZZ	4B8 8C6																																																																																																																																																																																																																																																																																																																																						
PP5V_S5_3V3S3 - @buzz_lib.BUZZ	PP5V_S5_3V3S3 - @buzz_lib.BUZZ	4B6 13C8																																																																																																																																																																																																																																																																																																																																						
PP5V_S5_LTUSB - @buzz_lib.BUZZ	PP5V_S5_LTUSB - @buzz_lib.BUZZ	4B6 5C7																																																																																																																																																																																																																																																																																																																																						
PP5V_S5 - @buzz_lib.BUZZ	PP5V_S5 - @buzz_lib.BUZZ	4B6																																																																																																																																																																																																																																																																																																																																						
PP5V_S5_LTUSB - @buzz_lib.BUZZ	PP5V_S5_LTUSB - @buzz_lib.BUZZ	4B6 5C7																																																																																																																																																																																																																																																																																																																																						
PP5V_S5_3V3S3 - @buzz_lib.BUZZ	PP5V_S5_3V3S3 - @buzz_lib.BUZZ	4B6 13C8																																																																																																																																																																																																																																																																																																																																						
PP18V5_G3H_CHGR	PP18V5_G3H_CHGR - @buzz_lib.BUZZ	4D6 15D8																																																																																																																																																																																																																																																																																																																																						
PP18V5_G3H_INRUSH - @buzz_lib.BUZZ	PP18V5_G3H_INRUSH - @buzz_lib.BUZZ	4D8 14B3																																																																																																																																																																																																																																																																																																																																						
PP18V5_G3H_CHGR - @buzz_lib.BUZZ	PP18V5_G3H_CHGR - @buzz_lib.BUZZ	4D6																																																																																																																																																																																																																																																																																																																																						
PP18V5_G3H_INRUSH - @buzz_lib.BUZZ	PP18V5_G3H_INRUSH - @buzz_lib.BUZZ	4D8 14B3																																																																																																																																																																																																																																																																																																																																						
PPBUS_G3H_LIO_CONN	PPBUS_G3H_LIO_CONN - @buzz_lib.BUZZ	4D6 14B1																																																																																																																																																																																																																																																																																																																																						
PPBATT_G3H_CHGR_REG - @buzz_lib.BUZZ	PPBATT_G3H_CHGR_REG - @buzz_lib.BUZZ	4D8 15C1																																																																																																																																																																																																																																																																																																																																						
PPVIN_S3_3V3S3 - @buzz_lib.BUZZ	PPVIN_S3_3V3S3 - @buzz_lib.BUZZ	4D6 13D8																																																																																																																																																																																																																																																																																																																																						
PPVBAT_G3H_CHGR_REG - @buzz_lib.BUZZ	PPVBAT_G3H_CHGR_REG - @buzz_lib.BUZZ	4D6																																																																																																																																																																																																																																																																																																																																						
PPVIN_S3_3V3S3 - @buzz_lib.BUZZ	PPVIN_S3_3V3S3 - @buzz_lib.BUZZ	4D6 13D8																																																																																																																																																																																																																																																																																																																																						
PPVBAT_G3H_CHGR_REG - @buzz_lib.BUZZ	PPVBAT_G3H_CHGR_REG - @buzz_lib.BUZZ	4D8 15C1																																																																																																																																																																																																																																																																																																																																						
<table border="1"> <thead> <tr> <th>Base Signal</th> <th>Synonyms</th> <th>Location((Zone) dir))</th> </tr> </thead> <tbody> <tr> <td>=PPDCIN_G3H</td> <td>=PPDCIN_G3H - @buzz_lib.BUZZ</td> <td>4D6 8C6</td> </tr> <tr> <td>=PPVBATT_G3H_LIO_CONN - @buzz_lib.BUZZ</td> <td>=PPVBATT_G3H_LIO_CONN - @buzz_lib.BUZZ</td> <td>4D8 15B3</td> </tr> <tr> <td>PPDCIN_G3H_LIO_CONN - @buzz_lib.BUZZ</td> <td>PPDCIN_G3H_LIO_CONN - @buzz_lib.BUZZ</td> <td>4D8 14D3</td> </tr> <tr> <td>PPDCIN_G3H - @buzz_lib.BUZZ</td> <td>PPDCIN_G3H - @buzz_lib.BUZZ</td> <td>4D6</td> </tr> <tr> <td>=PPVBATT_G3H_LIO_CONN - @buzz_lib.BUZZ</td> <td>=PPVBATT_G3H_LIO_CONN - @buzz_lib.BUZZ</td> <td>4D8 15B3</td> </tr> <tr> <td>=PPDCIN_G3H_LIO_CONN - @buzz_lib.BUZZ</td> <td>=PPDCIN_G3H_LIO_CONN - @buzz_lib.BUZZ</td> <td>4D8 14D3</td> </tr> <tr> <td>=SMBUS_EXCARD_SCL</td> <td>=SMBUS_EXCARD_SCL - @buzz_lib.BUZZ</td> <td>4A3 6C3</td> </tr> <tr> <td>SMBUS_SB_SCL - @buzz_lib.BUZZ</td> <td>SMBUS_SB_SCL - @buzz_lib.BUZZ</td> <td>4A6 8C3</td> </tr> <tr> <td>=SMBUS_EXCARD_SDA</td> <td>=SMBUS_EXCARD_SDA - @buzz_lib.BUZZ</td> <td>4A3 6C3</td> </tr> <tr> <td>SMBUS_SB_SDA - @buzz_lib.BUZZ</td> <td>SMBUS_SB_SDA - @buzz_lib.BUZZ</td> <td>4A6 8C3</td> </tr> <tr> <td>=SMBUS_MINI_SCL</td> <td>=SMBUS_MINI_SCL - @buzz_lib.BUZZ</td> <td>4A3 7B3</td> </tr> <tr> <td>SMBUS_MINI_SCL - @buzz_lib.BUZZ</td> <td>SMBUS_MINI_SCL - @buzz_lib.BUZZ</td> <td>4A5</td> </tr> <tr> <td>=SMBUS_MINI_SDA</td> <td>=SMBUS_MINI_SDA - @buzz_lib.BUZZ</td> <td>4A3 7B3</td> </tr> <tr> <td>SMBUS_MINI_SDA - @buzz_lib.BUZZ</td> <td>SMBUS_MINI_SDA - @buzz_lib.BUZZ</td> <td>4A5</td> </tr> <tr> <td>=SMBUS_TSPNSNR_SCL</td> <td>=SMBUS_TSPNSNR_SCL - @buzz_lib.BUZZ</td> <td>4A3 16B5</td> </tr> <tr> <td>SMBUS_SMC_SCL - @buzz_lib.BUZZ</td> <td>SMBUS_SMC_SCL - @buzz_lib.BUZZ</td> <td>4A6 8C3</td> </tr> <tr> <td>=SMBUS_TSPNSNR_SDA</td> <td>=SMBUS_TSPNSNR_SDA - @buzz_lib.BUZZ</td> <td>4A3 16B5</td> </tr> <tr> <td>SMBUS_SMC_SDA - @buzz_lib.BUZZ</td> <td>SMBUS_SMC_SDA - @buzz_lib.BUZZ</td> <td>4A6 8C3</td> </tr> <tr> <td>ACIN_IV20_REF - @buzz_lib.BUZZ</td> <td>ACIN_IV20_REF - @buzz_lib.BUZZ</td> <td>14A7</td> </tr> <tr> <td>ACIN_DIV - @buzz_lib.BUZZ</td> <td>ACIN_DIV - @buzz_lib.BUZZ</td> <td>14A7</td> </tr> <tr> <td>ACIN_ENABLE_DIV2_L - @buzz_lib.BUZZ</td> <td>ACIN_ENABLE_DIV2_L - @buzz_lib.BUZZ</td> <td>14A4</td> </tr> <tr> <td>ACIN_ENABLE_DIV_L - @buzz_lib.BUZZ</td> <td>ACIN_ENABLE_DIV_L - @buzz_lib.BUZZ</td> <td>14B4</td> </tr> <tr> <td>ACOK_AND_PS_ON - @buzz_lib.BUZZ</td> <td>ACOK_AND_PS_ON - @buzz_lib.BUZZ</td> <td>14A5</td> </tr> <tr> <td>AC2_BITCLK - @buzz_lib.BUZZ</td> <td>AC2_BITCLK - @buzz_lib.BUZZ</td> <td>8B6 9D7</td> </tr> <tr> <td>AC2_RST_L - @buzz_lib.BUZZ</td> <td>AC2_RST_L - @buzz_lib.BUZZ</td> <td>8B3 9C7</td> </tr> <tr> <td>AC2_SDATAIN<O> - @buzz_lib.BUZZ</td> <td>AC2_SDATAIN<O> - @buzz_lib.BUZZ</td> <td>8B6 9D7</td> </tr> <tr> <td>AC2_SDATAOUT - @buzz_lib.BUZZ</td> <td>AC2_SDATAOUT - @buzz_lib.BUZZ</td> <td>8B6 9D7</td> </tr> <tr> <td>AC2_SYNC - @buzz_lib.BUZZ</td> <td>AC2_SYNC - @buzz_lib.BUZZ</td> <td>8B6 9D7</td> </tr> <tr> <td>ADAPTER_SENSE - @buzz_lib.BUZZ</td> <td>ADAPTER_SENSE - @buzz_lib.BUZZ</td> <td>14D6</td> </tr> <tr> <td>ADAPTER_SENSE_UP - @buzz_lib.BUZZ</td> <td>ADAPTER_SENSE_UP - @buzz_lib.BUZZ</td> <td>14D7</td> </tr> <tr> <td>AUDIO_SHIELD_PLANE</td> <td>AUDIO_SHIELD_PLANE - @buzz_lib.BUZZ</td> <td>11B3</td> </tr> <tr> <td>AUD_4V5_SHDN_L - @buzz_lib.BUZZ</td> <td>AUD_4V5_SHDN_L - @buzz_lib.BUZZ</td> <td>9B3</td> </tr> <tr> <td>AUD_ALC_COUT - @buzz_lib.BUZZ</td> <td>AUD_ALC_COUT - @buzz_lib.BUZZ</td> <td>9B5</td> </tr> <tr> <td>AUD_ANALOG_FILT_1 - @buzz_lib.BUZZ</td> <td>AUD_ANALOG_FILT_1 - @buzz_lib.BUZZ</td> <td>9C4</td> </tr> <tr> <td>AUD_ANALOG_FILT_2 - @buzz_lib.BUZZ</td> <td>AUD_ANALOG_FILT_2 - @buzz_lib.BUZZ</td> <td>9C4</td> </tr> <tr> <td>AUD_BI_PORT_A_L - @buzz_lib.BUZZ</td> <td>AUD_BI_PORT_A_L - @buzz_lib.BUZZ</td> <td>9C1 12D3</td> </tr> <tr> <td>AUD_BI_PORT_A_R - @buzz_lib.BUZZ</td> <td>AUD_BI_PORT_A_R - @buzz_lib.BUZZ</td> <td>9C1 12C3</td> </tr> <tr> <td>AUD_BI_PORT_B_L - @buzz_lib.BUZZ</td> <td>AUD_BI_PORT_B_L - @buzz_lib.BUZZ</td> <td>9C1 12A6</td> </tr> <tr> <td>AUD_BI_PORT_B_R - @buzz_lib.BUZZ</td> <td>AUD_BI_PORT_B_R - @buzz_lib.BUZZ</td> <td>9C1 12A5</td> </tr> <tr> <td>AUD_BI_PORT_C_L - @buzz_lib.BUZZ</td> <td>AUD_BI_PORT_C_L - @buzz_lib.BUZZ</td> <td>9C7 10C7</td> </tr> <tr> <td>AUD_BI_PORT_C_R - @buzz_lib.BUZZ</td> <td>AUD_BI_PORT_C_R - @buzz_lib.BUZZ</td> <td>9C7 10C7</td> </tr> <tr> <td>AUD_BI_PORT_D_L - @buzz_lib.BUZZ</td> <td>AUD_BI_PORT_D_L - @buzz_lib.BUZZ</td> <td>9C7 12B3</td> </tr> <tr> <td>AUD_BI_PORT_D_R - @buzz_lib.BUZZ</td> <td>AUD_BI_PORT_D_R - @buzz_lib.BUZZ</td> <td>9C7 12B3</td> </tr> <tr> <td>AUD_BI_PORT_E_L - @buzz_lib.BUZZ</td> <td>AUD_BI_PORT_E_L - @buzz_lib.BUZZ</td> <td>9C1 12B3</td> </tr> <tr> <td>AUD_BI_PORT_E_R - @buzz_lib.BUZZ</td> <td>AUD_BI_PORT_E_R - @buzz_lib.BUZZ</td> <td>9C1 12B3</td> </tr> <tr> <td>AUD_BI_PORT_F_L - @buzz_lib.BUZZ</td> <td>AUD_BI_PORT_F_L - @buzz_lib.BUZZ</td> <td>9C1 12C3</td> </tr> <tr> <td>AUD_BI_PORT_F_R - @buzz_lib.BUZZ</td> <td>AUD_BI_PORT_F_R - @buzz_lib.BUZZ</td> <td>9C1 12B3</td> </tr> <tr> <td>AUD_BYPASS - @buzz_lib.BUZZ</td> <td>AUD_BYPASS - @buzz_lib.BUZZ</td> <td>9C4</td> </tr> <tr> <td>AUD_CONNJ1_RING - @buzz_lib.BUZZ</td> <td>AUD_CONNJ1_RING - @buzz_lib.BUZZ</td> <td>11C7</td> </tr> <tr> <td>AUD_CONNJ1_RING_F - @buzz_lib.BUZZ</td> <td>AUD_CONNJ1_RING_F - @buzz_lib.BUZZ</td> <td>11C6</td> </tr> <tr> <td>AUD_CONNJ1_SLEEVE - @buzz_lib.BUZZ</td> <td>AUD_CONNJ1_SLEEVE - @buzz_lib.BUZZ</td> <td>11C7</td> </tr> <tr> <td>AUD_CONNJ1_SLEEVEDET - @buzz_lib.BUZZ</td> <td>AUD_CONNJ1_SLEEVEDET - @buzz_lib.BUZZ</td> <td>11C7</td> </tr> <tr> <td>AUD_CONNJ1_SLEEVEDET_F - @buzz_lib.BUZZ</td> <td>AUD_CONNJ1_SLEEVEDET_F - @buzz_lib.BUZZ</td> <td>11C6</td> </tr> <tr> <td>AUD_CONNJ1_SLEEVEDET_F - @buzz_lib.BUZZ</td> <td>AUD_CONNJ1_SLEEVEDET_F - @buzz_lib.BUZZ</td> <td>11B6</td> </tr> <tr> <td>AUD_CONNJ1_TIP - @buzz_lib.BUZZ</td> <td>AUD_CONNJ1_TIP - @buzz_lib.BUZZ</td> <td>11C7</td> </tr> <tr> <td>AUD_CONNJ1_TIPDET - @buzz_lib.BUZZ</td> <td>AUD_CONNJ1_TIPDET - @buzz_lib.BUZZ</td> <td>11C7</td> </tr> <tr> <td>AUD_CONNJ1_TIPDET_F - @buzz_lib.BUZZ</td> <td>AUD_CONNJ1_TIPDET_F - @buzz_lib.BUZZ</td> <td>11C6</td> </tr> <tr> <td>AUD_CONNJ2_RING - @buzz_lib.BUZZ</td> <td>AUD_CONNJ2_RING - @buzz_lib.BUZZ</td> <td>11B7</td> </tr> <tr> <td>AUD_CONNJ2_RING_F - @buzz_lib.BUZZ</td> <td>AUD_CONNJ2_RING_F - @buzz_lib.BUZZ</td> <td>11B5</td> </tr> <tr> <td>AUD_CONNJ2_SLEEVE - @buzz_lib.BUZZ</td> <td>AUD_CONNJ2_SLEEVE - @buzz_lib.BUZZ</td> <td>11B7</td> </tr> <tr> <td>AUD_CONNJ2_SLEEVEDET - @buzz_lib.BUZZ</td> <td>AUD_CONNJ2_SLEEVEDET - @buzz_lib.BUZZ</td> <td>11A7</td> </tr> <tr> <td>AUD_CONNJ2_SLEEVEDET_F - @buzz_lib.BUZZ</td> <td>AUD_CONNJ2_SLEEVEDET_F - @buzz_lib.BUZZ</td> <td>11A5</td> </tr> <tr> <td>AUD_CONNJ2_SLEEVEDET_F - @buzz_lib.BUZZ</td> <td>AUD_CONNJ2_SLEEVEDET_F - @buzz_lib.BUZZ</td> <td>11B5</td> </tr> <tr> <td>AUD_CONNJ2_TIP - @buzz_lib.BUZZ</td> <td>AUD_CONNJ2_TIP - @buzz_lib.BUZZ</td> <td>11B7</td> </tr> <tr> <td>AUD_CONNJ2_TIPDET - @buzz_lib.BUZZ</td> <td>AUD_CONNJ2_TIPDET - @buzz_lib.BUZZ</td> <td>11B7</td> </tr> <tr> <td>AUD_CONNJ2_TIPDET_F - @buzz_lib.BUZZ</td> <td>AUD_CONNJ2_TIPDET_F - @buzz_lib.BUZZ</td> <td>11B5</td> </tr> <tr> <td>AUD_CONNJ2_TIP_F - @buzz_lib.BUZZ</td> <td>AUD_CONNJ2_TIP_F - @buzz_lib.BUZZ</td> <td>11B5</td> </tr> <tr> <td>AUD_GPIO_0 - @buzz_lib.BUZZ</td> <td>AUD_GPIO_0 - @buzz_lib.BUZZ</td> <td>9B8 10C7</td> </tr> <tr> <td>AUD_GPIO_0_R - @buzz_lib.BUZZ</td> <td>AUD_GPIO_0_R - @buzz_lib.BUZZ</td> <td>9B6 9B7 9C7</td> </tr> <tr> <td>AUD_GPIO_1 - @buzz_lib.BUZZ</td> <td>AUD_GPIO_1 - @buzz_lib.BUZZ</td> <td>9B8 12A5</td> </tr> <tr> <td>AUD_GPIO_1_R - @buzz_lib.BUZZ</td> <td>AUD_GPIO_1_R - @buzz_lib.BUZZ</td> <td>9A7 9B6 9C7</td> </tr> <tr> <td>AUD_GPIO_2 - @buzz_lib.BUZZ</td> <td>AUD_GPIO_2 - @buzz_lib.BUZZ</td> <td>9B6 9C7</td> </tr> <tr> <td>AUD_INJACK_INSERT_L - @buzz_lib.BUZZ</td> <td>AUD_INJACK_INSERT_L - @buzz_lib.BUZZ</td> <td>12C7</td> </tr> <tr> <td>AUD_J1_COM - @buzz_lib.BUZZ</td> <td>AUD_J1_COM - @buzz_lib.BUZZ</td> <td>11C4</td> </tr> <tr> <td>AUD_J1_DET_RC - @buzz_lib.BUZZ</td> <td>AUD_J1_DET_RC - @buzz_lib.BUZZ</td> <td>12D7</td> </tr> <tr> <td>AUD_J1_SLEEVEDET_INV - @buzz_lib.BUZZ</td> <td>AUD_J1_SLEEVEDET_INV - @buzz_lib.BUZZ</td> <td>12C7</td> </tr> <tr> <td>AUD_J1_SLEEVEDET_R - @buzz_lib.BUZZ</td> <td>AUD_J1_SLEEVEDET_R - @buzz_lib.BUZZ</td> <td>11C3 12C6 12C8</td> </tr> <tr> <td>AUD_J1_TIPDET_R - @buzz_lib.BUZZ</td> <td>AUD_J1_TIPDET_R - @buzz_lib.BUZZ</td> <td>11C3 12D8</td> </tr> <tr> <td>AUD_J2_COM - @buzz_lib.BUZZ</td> <td>AUD_J2_COM - @buzz_lib.BUZZ</td> <td>11B4</td> </tr> <tr> <td>AUD_J2_DET_RC - @buzz_lib.BUZZ</td> <td>AUD_J2_DET_RC - @buzz_lib.BUZZ</td> <td>12B7</td> </tr> <tr> <td>AUD_J2_OPT_OUT - @buzz_lib.BUZZ</td> <td>AUD_J2_OPT_OUT - @buzz_lib.BUZZ</td> <td>11B7</td> </tr> <tr> <td>AUD_J2_SLEEVEDET_R - @buzz_lib.BUZZ</td> <td>AUD_J2_SLEEVEDET_R - @buzz_lib.BUZZ</td> <td>11A3 12B8</td> </tr> <tr> <td>AUD_J2_TIPDET_R - @buzz_lib.BUZZ</td> <td>AUD_J2_TIPDET_R - @buzz_lib.BUZZ</td> <td>11A3 12B8</td> </tr> <tr> <td>AUD_JDREF - @buzz_lib.BUZZ</td> <td>AUD_JDREF - @buzz_lib.BUZZ</td> <td>9C4</td> </tr> <tr> <td>AUD_OUTJACK_INSERT_L - @buzz_lib.BUZZ</td> <td>AUD_OUTJACK_INSERT_L - @buzz_lib.BUZZ</td> <td>12D7</td> </tr> <tr> <td>AUD_PORTA_DET_L - @buzz_lib.BUZZ</td> <td>AUD_PORTA_DET_L - @buzz_lib.BUZZ</td> <td>12D5</td> </tr> <tr> <td>AUD_PORTA_L - @buzz_lib.BUZZ</td> <td>AUD_PORTA_L - @buzz_lib.BUZZ</td> <td>11C3 12A5 12D1</td> </tr> <tr> <td>AUD_PORTA_L_R - @buzz_lib.BUZZ</td> <td>AUD_PORTA_L_R - @buzz_lib.BUZZ</td> <td>12D2</td> </tr> <tr> <td>AUD_PORTA_R - @buzz_lib.BUZZ</td> <td>AUD_PORTA_R - @buzz_lib.BUZZ</td> <td>11C3 12A5 12C1</td> </tr> <tr> <td>AUD_PORTA_R_R - @buzz_lib.BUZZ</td> <td>AUD_PORTA_R_R - @buzz_lib.BUZZ</td> <td>12C2</td> </tr> <tr> <td>AUD_PORTE_DET_L - @buzz_lib.BUZZ</td> <td>AUD_PORTE_DET_L - @buzz_lib.BUZZ</td> <td>12D5</td> </tr> <tr> <td>AUD_PORTF_L - @buzz_lib.BUZZ</td> <td>AUD_PORTF_L - @buzz_lib.BUZZ</td> <td>11B3 12C1</td> </tr> <tr> <td>AUD_PORTF_L_R - @buzz_lib.BUZZ</td> <td>AUD_PORTF_L_R - @buzz_lib.BUZZ</td> <td>12C2</td> </tr> <tr> <td>AUD_PORTF_R - @buzz_lib.BUZZ</td> <td>AUD_PORTF_R - @buzz_lib.BUZZ</td> <td>11B3 12B1</td> </tr> <tr> <td>AUD_PORTF_R_R - @buzz_lib.BUZZ</td> <td>AUD_PORTF_R_R - @buzz_lib.BUZZ</td> <td>12B2</td> </tr> <tr> <td>AUD_PORTG_DET_L - @buzz_lib.BUZZ</td> <td>AUD_PORTG_DET_L - @buzz_lib.BUZZ</td> <td>12C5</td> </tr> <tr> <td>AUD_PORTG_A - @buzz_lib.BUZZ</td> <td>AUD_PORTG_A - @buzz_lib.BUZZ</td> <td>9C1 12C5 12D8</td> </tr> <tr> <td>AUD_PORTG_B - @buzz_lib.BUZZ</td> <td>AUD_PORTG_B - @buzz_lib.BUZZ</td> <td>9C1 12C4 12C8 12D8</td> </tr> <tr> <td>AUD_SPDIF_IN - @buzz_lib.BUZZ</td> <td>AUD_SPDIF_IN - @buzz_lib.BUZZ</td> <td>9C1 11B3</td> </tr> <tr> <td>AUD_SPDIF_OUT - @buzz_lib.BUZZ</td> <td>AUD_SPDIF_OUT - @buzz_lib.BUZZ</td> <td>9D1 11D3</td> </tr> <tr> <td>AUD_SPDIF_OUT_R - @buzz_lib.BUZZ</td> <td>AUD_SPDIF_OUT_R - @buzz_lib.BUZZ</td> <td>9D4</td> </tr> <tr> <td>AUD_SPKRAMP_INL - @buzz_lib.BUZZ</td> <td>AUD_SPKRAMP_INL - @buzz_lib.BUZZ</td> <td>10C5</td> </tr> <tr> <td>AUD_SPKRAMP_INL_L - @buzz_lib.BUZZ</td> <td>AUD_SPKRAMP_INL_L - @buzz_lib.BUZZ</td> <td>10C6</td> </tr> <tr> <td>AUD_SPKRAMP_INR - @buzz_lib.BUZZ</td> <td>AUD_SPKRAMP_INR - @buzz_lib.BUZZ</td> <td>10C5</td> </tr> <tr> <td>AUD_SPKRAMP_INR_L - @buzz_lib.BUZZ</td> <td>AUD_SPKRAMP_INR_L - @buzz_lib.BUZZ</td> <td>10C6</td> </tr> <tr> <td>AUD_SPKRAMP_SHUTDOWN_L - @buzz_lib.BUZZ</td> <td>AUD_SPKRAMP_SHUTDOWN_L - @buzz_lib.BUZZ</td> <td>10C5</td> </tr> </tbody> </table>								Base Signal	Synonyms	Location((Zone) dir))	=PPDCIN_G3H	=PPDCIN_G3H - @buzz_lib.BUZZ	4D6 8C6	=PPVBATT_G3H_LIO_CONN - @buzz_lib.BUZZ	=PPVBATT_G3H_LIO_CONN - @buzz_lib.BUZZ	4D8 15B3	PPDCIN_G3H_LIO_CONN - @buzz_lib.BUZZ	PPDCIN_G3H_LIO_CONN - @buzz_lib.BUZZ	4D8 14D3	PPDCIN_G3H - @buzz_lib.BUZZ	PPDCIN_G3H - @buzz_lib.BUZZ	4D6	=PPVBATT_G3H_LIO_CONN - @buzz_lib.BUZZ	=PPVBATT_G3H_LIO_CONN - @buzz_lib.BUZZ	4D8 15B3	=PPDCIN_G3H_LIO_CONN - @buzz_lib.BUZZ	=PPDCIN_G3H_LIO_CONN - @buzz_lib.BUZZ	4D8 14D3	=SMBUS_EXCARD_SCL	=SMBUS_EXCARD_SCL - @buzz_lib.BUZZ	4A3 6C3	SMBUS_SB_SCL - @buzz_lib.BUZZ	SMBUS_SB_SCL - @buzz_lib.BUZZ	4A6 8C3	=SMBUS_EXCARD_SDA	=SMBUS_EXCARD_SDA - @buzz_lib.BUZZ	4A3 6C3	SMBUS_SB_SDA - @buzz_lib.BUZZ	SMBUS_SB_SDA - @buzz_lib.BUZZ	4A6 8C3	=SMBUS_MINI_SCL	=SMBUS_MINI_SCL - @buzz_lib.BUZZ	4A3 7B3	SMBUS_MINI_SCL - @buzz_lib.BUZZ	SMBUS_MINI_SCL - @buzz_lib.BUZZ	4A5	=SMBUS_MINI_SDA	=SMBUS_MINI_SDA - @buzz_lib.BUZZ	4A3 7B3	SMBUS_MINI_SDA - @buzz_lib.BUZZ	SMBUS_MINI_SDA - @buzz_lib.BUZZ	4A5	=SMBUS_TSPNSNR_SCL	=SMBUS_TSPNSNR_SCL - @buzz_lib.BUZZ	4A3 16B5	SMBUS_SMC_SCL - @buzz_lib.BUZZ	SMBUS_SMC_SCL - @buzz_lib.BUZZ	4A6 8C3	=SMBUS_TSPNSNR_SDA	=SMBUS_TSPNSNR_SDA - @buzz_lib.BUZZ	4A3 16B5	SMBUS_SMC_SDA - @buzz_lib.BUZZ	SMBUS_SMC_SDA - @buzz_lib.BUZZ	4A6 8C3	ACIN_IV20_REF - @buzz_lib.BUZZ	ACIN_IV20_REF - @buzz_lib.BUZZ	14A7	ACIN_DIV - @buzz_lib.BUZZ	ACIN_DIV - @buzz_lib.BUZZ	14A7	ACIN_ENABLE_DIV2_L - @buzz_lib.BUZZ	ACIN_ENABLE_DIV2_L - @buzz_lib.BUZZ	14A4	ACIN_ENABLE_DIV_L - @buzz_lib.BUZZ	ACIN_ENABLE_DIV_L - @buzz_lib.BUZZ	14B4	ACOK_AND_PS_ON - @buzz_lib.BUZZ	ACOK_AND_PS_ON - @buzz_lib.BUZZ	14A5	AC2_BITCLK - @buzz_lib.BUZZ	AC2_BITCLK - @buzz_lib.BUZZ	8B6 9D7	AC2_RST_L - @buzz_lib.BUZZ	AC2_RST_L - @buzz_lib.BUZZ	8B3 9C7	AC2_SDATAIN<O> - @buzz_lib.BUZZ	AC2_SDATAIN<O> - @buzz_lib.BUZZ	8B6 9D7	AC2_SDATAOUT - @buzz_lib.BUZZ	AC2_SDATAOUT - @buzz_lib.BUZZ	8B6 9D7	AC2_SYNC - @buzz_lib.BUZZ	AC2_SYNC - @buzz_lib.BUZZ	8B6 9D7	ADAPTER_SENSE - @buzz_lib.BUZZ	ADAPTER_SENSE - @buzz_lib.BUZZ	14D6	ADAPTER_SENSE_UP - @buzz_lib.BUZZ	ADAPTER_SENSE_UP - @buzz_lib.BUZZ	14D7	AUDIO_SHIELD_PLANE	AUDIO_SHIELD_PLANE - @buzz_lib.BUZZ	11B3	AUD_4V5_SHDN_L - @buzz_lib.BUZZ	AUD_4V5_SHDN_L - @buzz_lib.BUZZ	9B3	AUD_ALC_COUT - @buzz_lib.BUZZ	AUD_ALC_COUT - @buzz_lib.BUZZ	9B5	AUD_ANALOG_FILT_1 - @buzz_lib.BUZZ	AUD_ANALOG_FILT_1 - @buzz_lib.BUZZ	9C4	AUD_ANALOG_FILT_2 - @buzz_lib.BUZZ	AUD_ANALOG_FILT_2 - @buzz_lib.BUZZ	9C4	AUD_BI_PORT_A_L - @buzz_lib.BUZZ	AUD_BI_PORT_A_L - @buzz_lib.BUZZ	9C1 12D3	AUD_BI_PORT_A_R - @buzz_lib.BUZZ	AUD_BI_PORT_A_R - @buzz_lib.BUZZ	9C1 12C3	AUD_BI_PORT_B_L - @buzz_lib.BUZZ	AUD_BI_PORT_B_L - @buzz_lib.BUZZ	9C1 12A6	AUD_BI_PORT_B_R - @buzz_lib.BUZZ	AUD_BI_PORT_B_R - @buzz_lib.BUZZ	9C1 12A5	AUD_BI_PORT_C_L - @buzz_lib.BUZZ	AUD_BI_PORT_C_L - @buzz_lib.BUZZ	9C7 10C7	AUD_BI_PORT_C_R - @buzz_lib.BUZZ	AUD_BI_PORT_C_R - @buzz_lib.BUZZ	9C7 10C7	AUD_BI_PORT_D_L - @buzz_lib.BUZZ	AUD_BI_PORT_D_L - @buzz_lib.BUZZ	9C7 12B3	AUD_BI_PORT_D_R - @buzz_lib.BUZZ	AUD_BI_PORT_D_R - @buzz_lib.BUZZ	9C7 12B3	AUD_BI_PORT_E_L - @buzz_lib.BUZZ	AUD_BI_PORT_E_L - @buzz_lib.BUZZ	9C1 12B3	AUD_BI_PORT_E_R - @buzz_lib.BUZZ	AUD_BI_PORT_E_R - @buzz_lib.BUZZ	9C1 12B3	AUD_BI_PORT_F_L - @buzz_lib.BUZZ	AUD_BI_PORT_F_L - @buzz_lib.BUZZ	9C1 12C3	AUD_BI_PORT_F_R - @buzz_lib.BUZZ	AUD_BI_PORT_F_R - @buzz_lib.BUZZ	9C1 12B3	AUD_BYPASS - @buzz_lib.BUZZ	AUD_BYPASS - @buzz_lib.BUZZ	9C4	AUD_CONNJ1_RING - @buzz_lib.BUZZ	AUD_CONNJ1_RING - @buzz_lib.BUZZ	11C7	AUD_CONNJ1_RING_F - @buzz_lib.BUZZ	AUD_CONNJ1_RING_F - @buzz_lib.BUZZ	11C6	AUD_CONNJ1_SLEEVE - @buzz_lib.BUZZ	AUD_CONNJ1_SLEEVE - @buzz_lib.BUZZ	11C7	AUD_CONNJ1_SLEEVEDET - @buzz_lib.BUZZ	AUD_CONNJ1_SLEEVEDET - @buzz_lib.BUZZ	11C7	AUD_CONNJ1_SLEEVEDET_F - @buzz_lib.BUZZ	AUD_CONNJ1_SLEEVEDET_F - @buzz_lib.BUZZ	11C6	AUD_CONNJ1_SLEEVEDET_F - @buzz_lib.BUZZ	AUD_CONNJ1_SLEEVEDET_F - @buzz_lib.BUZZ	11B6	AUD_CONNJ1_TIP - @buzz_lib.BUZZ	AUD_CONNJ1_TIP - @buzz_lib.BUZZ	11C7	AUD_CONNJ1_TIPDET - @buzz_lib.BUZZ	AUD_CONNJ1_TIPDET - @buzz_lib.BUZZ	11C7	AUD_CONNJ1_TIPDET_F - @buzz_lib.BUZZ	AUD_CONNJ1_TIPDET_F - @buzz_lib.BUZZ	11C6	AUD_CONNJ2_RING - @buzz_lib.BUZZ	AUD_CONNJ2_RING - @buzz_lib.BUZZ	11B7	AUD_CONNJ2_RING_F - @buzz_lib.BUZZ	AUD_CONNJ2_RING_F - @buzz_lib.BUZZ	11B5	AUD_CONNJ2_SLEEVE - @buzz_lib.BUZZ	AUD_CONNJ2_SLEEVE - @buzz_lib.BUZZ	11B7	AUD_CONNJ2_SLEEVEDET - @buzz_lib.BUZZ	AUD_CONNJ2_SLEEVEDET - @buzz_lib.BUZZ	11A7	AUD_CONNJ2_SLEEVEDET_F - @buzz_lib.BUZZ	AUD_CONNJ2_SLEEVEDET_F - @buzz_lib.BUZZ	11A5	AUD_CONNJ2_SLEEVEDET_F - @buzz_lib.BUZZ	AUD_CONNJ2_SLEEVEDET_F - @buzz_lib.BUZZ	11B5	AUD_CONNJ2_TIP - @buzz_lib.BUZZ	AUD_CONNJ2_TIP - @buzz_lib.BUZZ	11B7	AUD_CONNJ2_TIPDET - @buzz_lib.BUZZ	AUD_CONNJ2_TIPDET - @buzz_lib.BUZZ	11B7	AUD_CONNJ2_TIPDET_F - @buzz_lib.BUZZ	AUD_CONNJ2_TIPDET_F - @buzz_lib.BUZZ	11B5	AUD_CONNJ2_TIP_F - @buzz_lib.BUZZ	AUD_CONNJ2_TIP_F - @buzz_lib.BUZZ	11B5	AUD_GPIO_0 - @buzz_lib.BUZZ	AUD_GPIO_0 - @buzz_lib.BUZZ	9B8 10C7	AUD_GPIO_0_R - @buzz_lib.BUZZ	AUD_GPIO_0_R - @buzz_lib.BUZZ	9B6 9B7 9C7	AUD_GPIO_1 - @buzz_lib.BUZZ	AUD_GPIO_1 - @buzz_lib.BUZZ	9B8 12A5	AUD_GPIO_1_R - @buzz_lib.BUZZ	AUD_GPIO_1_R - @buzz_lib.BUZZ	9A7 9B6 9C7	AUD_GPIO_2 - @buzz_lib.BUZZ	AUD_GPIO_2 - @buzz_lib.BUZZ	9B6 9C7	AUD_INJACK_INSERT_L - @buzz_lib.BUZZ	AUD_INJACK_INSERT_L - @buzz_lib.BUZZ	12C7	AUD_J1_COM - @buzz_lib.BUZZ	AUD_J1_COM - @buzz_lib.BUZZ	11C4	AUD_J1_DET_RC - @buzz_lib.BUZZ	AUD_J1_DET_RC - @buzz_lib.BUZZ	12D7	AUD_J1_SLEEVEDET_INV - @buzz_lib.BUZZ	AUD_J1_SLEEVEDET_INV - @buzz_lib.BUZZ	12C7	AUD_J1_SLEEVEDET_R - @buzz_lib.BUZZ	AUD_J1_SLEEVEDET_R - @buzz_lib.BUZZ	11C3 12C6 12C8	AUD_J1_TIPDET_R - @buzz_lib.BUZZ	AUD_J1_TIPDET_R - @buzz_lib.BUZZ	11C3 12D8	AUD_J2_COM - @buzz_lib.BUZZ	AUD_J2_COM - @buzz_lib.BUZZ	11B4	AUD_J2_DET_RC - @buzz_lib.BUZZ	AUD_J2_DET_RC - @buzz_lib.BUZZ	12B7	AUD_J2_OPT_OUT - @buzz_lib.BUZZ	AUD_J2_OPT_OUT - @buzz_lib.BUZZ	11B7	AUD_J2_SLEEVEDET_R - @buzz_lib.BUZZ	AUD_J2_SLEEVEDET_R - @buzz_lib.BUZZ	11A3 12B8	AUD_J2_TIPDET_R - @buzz_lib.BUZZ	AUD_J2_TIPDET_R - @buzz_lib.BUZZ	11A3 12B8	AUD_JDREF - @buzz_lib.BUZZ	AUD_JDREF - @buzz_lib.BUZZ	9C4	AUD_OUTJACK_INSERT_L - @buzz_lib.BUZZ	AUD_OUTJACK_INSERT_L - @buzz_lib.BUZZ	12D7	AUD_PORTA_DET_L - @buzz_lib.BUZZ	AUD_PORTA_DET_L - @buzz_lib.BUZZ	12D5	AUD_PORTA_L - @buzz_lib.BUZZ	AUD_PORTA_L - @buzz_lib.BUZZ	11C3 12A5 12D1	AUD_PORTA_L_R - @buzz_lib.BUZZ	AUD_PORTA_L_R - @buzz_lib.BUZZ	12D2	AUD_PORTA_R - @buzz_lib.BUZZ	AUD_PORTA_R - @buzz_lib.BUZZ	11C3 12A5 12C1	AUD_PORTA_R_R - @buzz_lib.BUZZ	AUD_PORTA_R_R - @buzz_lib.BUZZ	12C2	AUD_PORTE_DET_L - @buzz_lib.BUZZ	AUD_PORTE_DET_L - @buzz_lib.BUZZ	12D5	AUD_PORTF_L - @buzz_lib.BUZZ	AUD_PORTF_L - @buzz_lib.BUZZ	11B3 12C1	AUD_PORTF_L_R - @buzz_lib.BUZZ	AUD_PORTF_L_R - @buzz_lib.BUZZ	12C2	AUD_PORTF_R - @buzz_lib.BUZZ	AUD_PORTF_R - @buzz_lib.BUZZ	11B3 12B1	AUD_PORTF_R_R - @buzz_lib.BUZZ	AUD_PORTF_R_R - @buzz_lib.BUZZ	12B2	AUD_PORTG_DET_L - @buzz_lib.BUZZ	AUD_PORTG_DET_L - @buzz_lib.BUZZ	12C5	AUD_PORTG_A - @buzz_lib.BUZZ	AUD_PORTG_A - @buzz_lib.BUZZ	9C1 12C5 12D8	AUD_PORTG_B - @buzz_lib.BUZZ	AUD_PORTG_B - @buzz_lib.BUZZ	9C1 12C4 12C8 12D8	AUD_SPDIF_IN - @buzz_lib.BUZZ	AUD_SPDIF_IN - @buzz_lib.BUZZ	9C1 11B3	AUD_SPDIF_OUT - @buzz_lib.BUZZ	AUD_SPDIF_OUT - @buzz_lib.BUZZ	9D1 11D3	AUD_SPDIF_OUT_R - @buzz_lib.BUZZ	AUD_SPDIF_OUT_R - @buzz_lib.BUZZ	9D4	AUD_SPKRAMP_INL - @buzz_lib.BUZZ	AUD_SPKRAMP_INL - @buzz_lib.BUZZ	10C5	AUD_SPKRAMP_INL_L - @buzz_lib.BUZZ	AUD_SPKRAMP_INL_L - @buzz_lib.BUZZ	10C6	AUD_SPKRAMP_INR - @buzz_lib.BUZZ	AUD_SPKRAMP_INR - @buzz_lib.BUZZ	10C5	AUD_SPKRAMP_INR_L - @buzz_lib.BUZZ	AUD_SPKRAMP_INR_L - @buzz_lib.BUZZ	10C6	AUD_SPKRAMP_SHUTDOWN_L - @buzz_lib.BUZZ	AUD_SPKRAMP_SHUTDOWN_L - @buzz_lib.BUZZ	10C5
Base Signal	Synonyms	Location((Zone) dir))																																																																																																																																																																																																																																																																																																																																						
=PPDCIN_G3H	=PPDCIN_G3H - @buzz_lib.BUZZ	4D6 8C6																																																																																																																																																																																																																																																																																																																																						
=PPVBATT_G3H_LIO_CONN - @buzz_lib.BUZZ	=PPVBATT_G3H_LIO_CONN - @buzz_lib.BUZZ	4D8 15B3																																																																																																																																																																																																																																																																																																																																						
PPDCIN_G3H_LIO_CONN - @buzz_lib.BUZZ	PPDCIN_G3H_LIO_CONN - @buzz_lib.BUZZ	4D8 14D3																																																																																																																																																																																																																																																																																																																																						
PPDCIN_G3H - @buzz_lib.BUZZ	PPDCIN_G3H - @buzz_lib.BUZZ	4D6																																																																																																																																																																																																																																																																																																																																						
=PPVBATT_G3H_LIO_CONN - @buzz_lib.BUZZ	=PPVBATT_G3H_LIO_CONN - @buzz_lib.BUZZ	4D8 15B3																																																																																																																																																																																																																																																																																																																																						
=PPDCIN_G3H_LIO_CONN - @buzz_lib.BUZZ	=PPDCIN_G3H_LIO_CONN - @buzz_lib.BUZZ	4D8 14D3																																																																																																																																																																																																																																																																																																																																						
=SMBUS_EXCARD_SCL	=SMBUS_EXCARD_SCL - @buzz_lib.BUZZ	4A3 6C3																																																																																																																																																																																																																																																																																																																																						
SMBUS_SB_SCL - @buzz_lib.BUZZ	SMBUS_SB_SCL - @buzz_lib.BUZZ	4A6 8C3																																																																																																																																																																																																																																																																																																																																						
=SMBUS_EXCARD_SDA	=SMBUS_EXCARD_SDA - @buzz_lib.BUZZ	4A3 6C3																																																																																																																																																																																																																																																																																																																																						
SMBUS_SB_SDA - @buzz_lib.BUZZ	SMBUS_SB_SDA - @buzz_lib.BUZZ	4A6 8C3																																																																																																																																																																																																																																																																																																																																						
=SMBUS_MINI_SCL	=SMBUS_MINI_SCL - @buzz_lib.BUZZ	4A3 7B3																																																																																																																																																																																																																																																																																																																																						
SMBUS_MINI_SCL - @buzz_lib.BUZZ	SMBUS_MINI_SCL - @buzz_lib.BUZZ	4A5																																																																																																																																																																																																																																																																																																																																						
=SMBUS_MINI_SDA	=SMBUS_MINI_SDA - @buzz_lib.BUZZ	4A3 7B3																																																																																																																																																																																																																																																																																																																																						
SMBUS_MINI_SDA - @buzz_lib.BUZZ	SMBUS_MINI_SDA - @buzz_lib.BUZZ	4A5																																																																																																																																																																																																																																																																																																																																						
=SMBUS_TSPNSNR_SCL	=SMBUS_TSPNSNR_SCL - @buzz_lib.BUZZ	4A3 16B5																																																																																																																																																																																																																																																																																																																																						
SMBUS_SMC_SCL - @buzz_lib.BUZZ	SMBUS_SMC_SCL - @buzz_lib.BUZZ	4A6 8C3																																																																																																																																																																																																																																																																																																																																						
=SMBUS_TSPNSNR_SDA	=SMBUS_TSPNSNR_SDA - @buzz_lib.BUZZ	4A3 16B5																																																																																																																																																																																																																																																																																																																																						
SMBUS_SMC_SDA - @buzz_lib.BUZZ	SMBUS_SMC_SDA - @buzz_lib.BUZZ	4A6 8C3																																																																																																																																																																																																																																																																																																																																						
ACIN_IV20_REF - @buzz_lib.BUZZ	ACIN_IV20_REF - @buzz_lib.BUZZ	14A7																																																																																																																																																																																																																																																																																																																																						
ACIN_DIV - @buzz_lib.BUZZ	ACIN_DIV - @buzz_lib.BUZZ	14A7																																																																																																																																																																																																																																																																																																																																						
ACIN_ENABLE_DIV2_L - @buzz_lib.BUZZ	ACIN_ENABLE_DIV2_L - @buzz_lib.BUZZ	14A4																																																																																																																																																																																																																																																																																																																																						
ACIN_ENABLE_DIV_L - @buzz_lib.BUZZ	ACIN_ENABLE_DIV_L - @buzz_lib.BUZZ	14B4																																																																																																																																																																																																																																																																																																																																						
ACOK_AND_PS_ON - @buzz_lib.BUZZ	ACOK_AND_PS_ON - @buzz_lib.BUZZ	14A5																																																																																																																																																																																																																																																																																																																																						
AC2_BITCLK - @buzz_lib.BUZZ	AC2_BITCLK - @buzz_lib.BUZZ	8B6 9D7																																																																																																																																																																																																																																																																																																																																						
AC2_RST_L - @buzz_lib.BUZZ	AC2_RST_L - @buzz_lib.BUZZ	8B3 9C7																																																																																																																																																																																																																																																																																																																																						
AC2_SDATAIN<O> - @buzz_lib.BUZZ	AC2_SDATAIN<O> - @buzz_lib.BUZZ	8B6 9D7																																																																																																																																																																																																																																																																																																																																						
AC2_SDATAOUT - @buzz_lib.BUZZ	AC2_SDATAOUT - @buzz_lib.BUZZ	8B6 9D7																																																																																																																																																																																																																																																																																																																																						
AC2_SYNC - @buzz_lib.BUZZ	AC2_SYNC - @buzz_lib.BUZZ	8B6 9D7																																																																																																																																																																																																																																																																																																																																						
ADAPTER_SENSE - @buzz_lib.BUZZ	ADAPTER_SENSE - @buzz_lib.BUZZ	14D6																																																																																																																																																																																																																																																																																																																																						
ADAPTER_SENSE_UP - @buzz_lib.BUZZ	ADAPTER_SENSE_UP - @buzz_lib.BUZZ	14D7																																																																																																																																																																																																																																																																																																																																						
AUDIO_SHIELD_PLANE	AUDIO_SHIELD_PLANE - @buzz_lib.BUZZ	11B3																																																																																																																																																																																																																																																																																																																																						
AUD_4V5_SHDN_L - @buzz_lib.BUZZ	AUD_4V5_SHDN_L - @buzz_lib.BUZZ	9B3																																																																																																																																																																																																																																																																																																																																						
AUD_ALC_COUT - @buzz_lib.BUZZ	AUD_ALC_COUT - @buzz_lib.BUZZ	9B5																																																																																																																																																																																																																																																																																																																																						
AUD_ANALOG_FILT_1 - @buzz_lib.BUZZ	AUD_ANALOG_FILT_1 - @buzz_lib.BUZZ	9C4																																																																																																																																																																																																																																																																																																																																						
AUD_ANALOG_FILT_2 - @buzz_lib.BUZZ	AUD_ANALOG_FILT_2 - @buzz_lib.BUZZ	9C4																																																																																																																																																																																																																																																																																																																																						
AUD_BI_PORT_A_L - @buzz_lib.BUZZ	AUD_BI_PORT_A_L - @buzz_lib.BUZZ	9C1 12D3																																																																																																																																																																																																																																																																																																																																						
AUD_BI_PORT_A_R - @buzz_lib.BUZZ	AUD_BI_PORT_A_R - @buzz_lib.BUZZ	9C1 12C3																																																																																																																																																																																																																																																																																																																																						
AUD_BI_PORT_B_L - @buzz_lib.BUZZ	AUD_BI_PORT_B_L - @buzz_lib.BUZZ	9C1 12A6																																																																																																																																																																																																																																																																																																																																						
AUD_BI_PORT_B_R - @buzz_lib.BUZZ	AUD_BI_PORT_B_R - @buzz_lib.BUZZ	9C1 12A5																																																																																																																																																																																																																																																																																																																																						
AUD_BI_PORT_C_L - @buzz_lib.BUZZ	AUD_BI_PORT_C_L - @buzz_lib.BUZZ	9C7 10C7																																																																																																																																																																																																																																																																																																																																						
AUD_BI_PORT_C_R - @buzz_lib.BUZZ	AUD_BI_PORT_C_R - @buzz_lib.BUZZ	9C7 10C7																																																																																																																																																																																																																																																																																																																																						
AUD_BI_PORT_D_L - @buzz_lib.BUZZ	AUD_BI_PORT_D_L - @buzz_lib.BUZZ	9C7 12B3																																																																																																																																																																																																																																																																																																																																						
AUD_BI_PORT_D_R - @buzz_lib.BUZZ	AUD_BI_PORT_D_R - @buzz_lib.BUZZ	9C7 12B3																																																																																																																																																																																																																																																																																																																																						
AUD_BI_PORT_E_L - @buzz_lib.BUZZ	AUD_BI_PORT_E_L - @buzz_lib.BUZZ	9C1 12B3																																																																																																																																																																																																																																																																																																																																						
AUD_BI_PORT_E_R - @buzz_lib.BUZZ	AUD_BI_PORT_E_R - @buzz_lib.BUZZ	9C1 12B3																																																																																																																																																																																																																																																																																																																																						
AUD_BI_PORT_F_L - @buzz_lib.BUZZ	AUD_BI_PORT_F_L - @buzz_lib.BUZZ	9C1 12C3																																																																																																																																																																																																																																																																																																																																						
AUD_BI_PORT_F_R - @buzz_lib.BUZZ	AUD_BI_PORT_F_R - @buzz_lib.BUZZ	9C1 12B3																																																																																																																																																																																																																																																																																																																																						
AUD_BYPASS - @buzz_lib.BUZZ	AUD_BYPASS - @buzz_lib.BUZZ	9C4																																																																																																																																																																																																																																																																																																																																						
AUD_CONNJ1_RING - @buzz_lib.BUZZ	AUD_CONNJ1_RING - @buzz_lib.BUZZ	11C7																																																																																																																																																																																																																																																																																																																																						
AUD_CONNJ1_RING_F - @buzz_lib.BUZZ	AUD_CONNJ1_RING_F - @buzz_lib.BUZZ	11C6																																																																																																																																																																																																																																																																																																																																						
AUD_CONNJ1_SLEEVE - @buzz_lib.BUZZ	AUD_CONNJ1_SLEEVE - @buzz_lib.BUZZ	11C7																																																																																																																																																																																																																																																																																																																																						
AUD_CONNJ1_SLEEVEDET - @buzz_lib.BUZZ	AUD_CONNJ1_SLEEVEDET - @buzz_lib.BUZZ	11C7																																																																																																																																																																																																																																																																																																																																						
AUD_CONNJ1_SLEEVEDET_F - @buzz_lib.BUZZ	AUD_CONNJ1_SLEEVEDET_F - @buzz_lib.BUZZ	11C6																																																																																																																																																																																																																																																																																																																																						
AUD_CONNJ1_SLEEVEDET_F - @buzz_lib.BUZZ	AUD_CONNJ1_SLEEVEDET_F - @buzz_lib.BUZZ	11B6																																																																																																																																																																																																																																																																																																																																						
AUD_CONNJ1_TIP - @buzz_lib.BUZZ	AUD_CONNJ1_TIP - @buzz_lib.BUZZ	11C7																																																																																																																																																																																																																																																																																																																																						
AUD_CONNJ1_TIPDET - @buzz_lib.BUZZ	AUD_CONNJ1_TIPDET - @buzz_lib.BUZZ	11C7																																																																																																																																																																																																																																																																																																																																						
AUD_CONNJ1_TIPDET_F - @buzz_lib.BUZZ	AUD_CONNJ1_TIPDET_F - @buzz_lib.BUZZ	11C6																																																																																																																																																																																																																																																																																																																																						
AUD_CONNJ2_RING - @buzz_lib.BUZZ	AUD_CONNJ2_RING - @buzz_lib.BUZZ	11B7																																																																																																																																																																																																																																																																																																																																						
AUD_CONNJ2_RING_F - @buzz_lib.BUZZ	AUD_CONNJ2_RING_F - @buzz_lib.BUZZ	11B5																																																																																																																																																																																																																																																																																																																																						
AUD_CONNJ2_SLEEVE - @buzz_lib.BUZZ	AUD_CONNJ2_SLEEVE - @buzz_lib.BUZZ	11B7																																																																																																																																																																																																																																																																																																																																						
AUD_CONNJ2_SLEEVEDET - @buzz_lib.BUZZ	AUD_CONNJ2_SLEEVEDET - @buzz_lib.BUZZ	11A7																																																																																																																																																																																																																																																																																																																																						
AUD_CONNJ2_SLEEVEDET_F - @buzz_lib.BUZZ	AUD_CONNJ2_SLEEVEDET_F - @buzz_lib.BUZZ	11A5																																																																																																																																																																																																																																																																																																																																						
AUD_CONNJ2_SLEEVEDET_F - @buzz_lib.BUZZ	AUD_CONNJ2_SLEEVEDET_F - @buzz_lib.BUZZ	11B5																																																																																																																																																																																																																																																																																																																																						
AUD_CONNJ2_TIP - @buzz_lib.BUZZ	AUD_CONNJ2_TIP - @buzz_lib.BUZZ	11B7																																																																																																																																																																																																																																																																																																																																						
AUD_CONNJ2_TIPDET - @buzz_lib.BUZZ	AUD_CONNJ2_TIPDET - @buzz_lib.BUZZ	11B7																																																																																																																																																																																																																																																																																																																																						
AUD_CONNJ2_TIPDET_F - @buzz_lib.BUZZ	AUD_CONNJ2_TIPDET_F - @buzz_lib.BUZZ	11B5																																																																																																																																																																																																																																																																																																																																						
AUD_CONNJ2_TIP_F - @buzz_lib.BUZZ	AUD_CONNJ2_TIP_F - @buzz_lib.BUZZ	11B5																																																																																																																																																																																																																																																																																																																																						
AUD_GPIO_0 - @buzz_lib.BUZZ	AUD_GPIO_0 - @buzz_lib.BUZZ	9B8 10C7																																																																																																																																																																																																																																																																																																																																						
AUD_GPIO_0_R - @buzz_lib.BUZZ	AUD_GPIO_0_R - @buzz_lib.BUZZ	9B6 9B7 9C7																																																																																																																																																																																																																																																																																																																																						
AUD_GPIO_1 - @buzz_lib.BUZZ	AUD_GPIO_1 - @buzz_lib.BUZZ	9B8 12A5																																																																																																																																																																																																																																																																																																																																						
AUD_GPIO_1_R - @buzz_lib.BUZZ	AUD_GPIO_1_R - @buzz_lib.BUZZ	9A7 9B6 9C7																																																																																																																																																																																																																																																																																																																																						
AUD_GPIO_2 - @buzz_lib.BUZZ	AUD_GPIO_2 - @buzz_lib.BUZZ	9B6 9C7																																																																																																																																																																																																																																																																																																																																						
AUD_INJACK_INSERT_L - @buzz_lib.BUZZ	AUD_INJACK_INSERT_L - @buzz_lib.BUZZ	12C7																																																																																																																																																																																																																																																																																																																																						
AUD_J1_COM - @buzz_lib.BUZZ	AUD_J1_COM - @buzz_lib.BUZZ	11C4																																																																																																																																																																																																																																																																																																																																						
AUD_J1_DET_RC - @buzz_lib.BUZZ	AUD_J1_DET_RC - @buzz_lib.BUZZ	12D7																																																																																																																																																																																																																																																																																																																																						
AUD_J1_SLEEVEDET_INV - @buzz_lib.BUZZ	AUD_J1_SLEEVEDET_INV - @buzz_lib.BUZZ	12C7																																																																																																																																																																																																																																																																																																																																						
AUD_J1_SLEEVEDET_R - @buzz_lib.BUZZ	AUD_J1_SLEEVEDET_R - @buzz_lib.BUZZ	11C3 12C6 12C8																																																																																																																																																																																																																																																																																																																																						
AUD_J1_TIPDET_R - @buzz_lib.BUZZ	AUD_J1_TIPDET_R - @buzz_lib.BUZZ	11C3 12D8																																																																																																																																																																																																																																																																																																																																						
AUD_J2_COM - @buzz_lib.BUZZ	AUD_J2_COM - @buzz_lib.BUZZ	11B4																																																																																																																																																																																																																																																																																																																																						
AUD_J2_DET_RC - @buzz_lib.BUZZ	AUD_J2_DET_RC - @buzz_lib.BUZZ	12B7																																																																																																																																																																																																																																																																																																																																						
AUD_J2_OPT_OUT - @buzz_lib.BUZZ	AUD_J2_OPT_OUT - @buzz_lib.BUZZ	11B7																																																																																																																																																																																																																																																																																																																																						
AUD_J2_SLEEVEDET_R - @buzz_lib.BUZZ	AUD_J2_SLEEVEDET_R - @buzz_lib.BUZZ	11A3 12B8																																																																																																																																																																																																																																																																																																																																						
AUD_J2_TIPDET_R - @buzz_lib.BUZZ	AUD_J2_TIPDET_R - @buzz_lib.BUZZ	11A3 12B8																																																																																																																																																																																																																																																																																																																																						
AUD_JDREF - @buzz_lib.BUZZ	AUD_JDREF - @buzz_lib.BUZZ	9C4																																																																																																																																																																																																																																																																																																																																						
AUD_OUTJACK_INSERT_L - @buzz_lib.BUZZ	AUD_OUTJACK_INSERT_L - @buzz_lib.BUZZ	12D7																																																																																																																																																																																																																																																																																																																																						
AUD_PORTA_DET_L - @buzz_lib.BUZZ	AUD_PORTA_DET_L - @buzz_lib.BUZZ	12D5																																																																																																																																																																																																																																																																																																																																						
AUD_PORTA_L - @buzz_lib.BUZZ	AUD_PORTA_L - @buzz_lib.BUZZ	11C3 12A5 12D1																																																																																																																																																																																																																																																																																																																																						
AUD_PORTA_L_R - @buzz_lib.BUZZ	AUD_PORTA_L_R - @buzz_lib.BUZZ	12D2																																																																																																																																																																																																																																																																																																																																						
AUD_PORTA_R - @buzz_lib.BUZZ	AUD_PORTA_R - @buzz_lib.BUZZ	11C3 12A5 12C1																																																																																																																																																																																																																																																																																																																																						
AUD_PORTA_R_R - @buzz_lib.BUZZ	AUD_PORTA_R_R - @buzz_lib.BUZZ	12C2																																																																																																																																																																																																																																																																																																																																						
AUD_PORTE_DET_L - @buzz_lib.BUZZ	AUD_PORTE_DET_L - @buzz_lib.BUZZ	12D5																																																																																																																																																																																																																																																																																																																																						
AUD_PORTF_L - @buzz_lib.BUZZ	AUD_PORTF_L - @buzz_lib.BUZZ	11B3 12C1																																																																																																																																																																																																																																																																																																																																						
AUD_PORTF_L_R - @buzz_lib.BUZZ	AUD_PORTF_L_R - @buzz_lib.BUZZ	12C2																																																																																																																																																																																																																																																																																																																																						
AUD_PORTF_R - @buzz_lib.BUZZ	AUD_PORTF_R - @buzz_lib.BUZZ	11B3 12B1																																																																																																																																																																																																																																																																																																																																						
AUD_PORTF_R_R - @buzz_lib.BUZZ	AUD_PORTF_R_R - @buzz_lib.BUZZ	12B2																																																																																																																																																																																																																																																																																																																																						
AUD_PORTG_DET_L - @buzz_lib.BUZZ	AUD_PORTG_DET_L - @buzz_lib.BUZZ	12C5																																																																																																																																																																																																																																																																																																																																						
AUD_PORTG_A - @buzz_lib.BUZZ	AUD_PORTG_A - @buzz_lib.BUZZ	9C1 12C5 12D8																																																																																																																																																																																																																																																																																																																																						
AUD_PORTG_B - @buzz_lib.BUZZ	AUD_PORTG_B - @buzz_lib.BUZZ	9C1 12C4 12C8 12D8																																																																																																																																																																																																																																																																																																																																						
AUD_SPDIF_IN - @buzz_lib.BUZZ	AUD_SPDIF_IN - @buzz_lib.BUZZ	9C1 11B3																																																																																																																																																																																																																																																																																																																																						
AUD_SPDIF_OUT - @buzz_lib.BUZZ	AUD_SPDIF_OUT - @buzz_lib.BUZZ	9D1 11D3																																																																																																																																																																																																																																																																																																																																						
AUD_SPDIF_OUT_R - @buzz_lib.BUZZ	AUD_SPDIF_OUT_R - @buzz_lib.BUZZ	9D4																																																																																																																																																																																																																																																																																																																																						
AUD_SPKRAMP_INL - @buzz_lib.BUZZ	AUD_SPKRAMP_INL - @buzz_lib.BUZZ	10C5																																																																																																																																																																																																																																																																																																																																						
AUD_SPKRAMP_INL_L - @buzz_lib.BUZZ	AUD_SPKRAMP_INL_L - @buzz_lib.BUZZ	10C6																																																																																																																																																																																																																																																																																																																																						
AUD_SPKRAMP_INR - @buzz_lib.BUZZ	AUD_SPKRAMP_INR - @buzz_lib.BUZZ	10C5																																																																																																																																																																																																																																																																																																																																						
AUD_SPKRAMP_INR_L - @buzz_lib.BUZZ	AUD_SPKRAMP_INR_L - @buzz_lib.BUZZ	10C6																																																																																																																																																																																																																																																																																																																																						
AUD_SPKRAMP_SHUTDOWN_L - @buzz_lib.BUZZ	AUD_SPKRAMP_SHUTDOWN_L - @buzz_lib.BUZZ	10C5																																																																																																																																																																																																																																																																																																																																						
<table border="1"> <thead> <tr> <th>Base Signal</th> <th>Synonyms</th> <th>Location((Zone) dir))</th> </tr> </thead> <tbody> <tr> <td>AUD_VREF_FLIT</td> <td>AUD_VREF_FLIT - @buzz_lib.BUZZ</td> <td>9C4</td> </tr> <tr> <td>AUD_VREF_PORT_A - @buzz_lib.BUZZ</td> <td>AUD_VREF_PORT_A - @buzz_lib.BUZZ</td> <td>9C1</td> </tr> <tr> <td>AUD_VREF_PORT_B - @buzz_lib.BUZZ</td> <td>AUD_VREF_PORT_B - @buzz_lib.BUZZ</td> <td>9C1 12B6</td> </tr> <tr> <td>AUD_VREF_PORT_C - @buzz_lib.BUZZ</td> <td>AUD_VREF_PORT_C - @buzz_lib.BUZZ</td> <td>9C1</td> </tr> <tr> <td>AUD_VREF_PORT_D - @buzz_lib.BUZZ</td> <td>AUD_VREF_PORT_D - @buzz_lib.BUZZ</td> <td>9C1</td> </tr> <tr> <td>BAL_IN_COM</td> <td>BAL_IN_COM - @buzz_lib.BUZZ</td> <td>9C7 12B1</td> </tr> <tr> <td>BAL_IN_L - @buzz_lib.BUZZ</td> <td>BAL_IN_L - @buzz_lib.BUZZ</td> <td>9C7 12B1</td> </tr> <tr> <td>BAL_IN_R - @buzz_lib.BUZZ</td> <td>BAL_IN_R - @buzz_lib.BUZZ</td> <td>9C7 12B1</td> </tr> <tr> <td>BEFP - @buzz_lib.BUZZ</td> <td>BEFP - @buzz_lib.BUZZ</td> <td>9C6</td> </tr> <tr> <td>CHGR_ACLIM</td></tr></tbody></table>								Base Signal	Synonyms	Location((Zone) dir))	AUD_VREF_FLIT	AUD_VREF_FLIT - @buzz_lib.BUZZ	9C4	AUD_VREF_PORT_A - @buzz_lib.BUZZ	AUD_VREF_PORT_A - @buzz_lib.BUZZ	9C1	AUD_VREF_PORT_B - @buzz_lib.BUZZ	AUD_VREF_PORT_B - @buzz_lib.BUZZ	9C1 12B6	AUD_VREF_PORT_C - @buzz_lib.BUZZ	AUD_VREF_PORT_C - @buzz_lib.BUZZ	9C1	AUD_VREF_PORT_D - @buzz_lib.BUZZ	AUD_VREF_PORT_D - @buzz_lib.BUZZ	9C1	BAL_IN_COM	BAL_IN_COM - @buzz_lib.BUZZ	9C7 12B1	BAL_IN_L - @buzz_lib.BUZZ	BAL_IN_L - @buzz_lib.BUZZ	9C7 12B1	BAL_IN_R - @buzz_lib.BUZZ	BAL_IN_R - @buzz_lib.BUZZ	9C7 12B1	BEFP - @buzz_lib.BUZZ	BEFP - @buzz_lib.BUZZ	9C6	CHGR_ACLIM																																																																																																																																																																																																																																																																																																		
Base Signal	Synonyms	Location((Zone) dir))																																																																																																																																																																																																																																																																																																																																						
AUD_VREF_FLIT	AUD_VREF_FLIT - @buzz_lib.BUZZ	9C4																																																																																																																																																																																																																																																																																																																																						
AUD_VREF_PORT_A - @buzz_lib.BUZZ	AUD_VREF_PORT_A - @buzz_lib.BUZZ	9C1																																																																																																																																																																																																																																																																																																																																						
AUD_VREF_PORT_B - @buzz_lib.BUZZ	AUD_VREF_PORT_B - @buzz_lib.BUZZ	9C1 12B6																																																																																																																																																																																																																																																																																																																																						
AUD_VREF_PORT_C - @buzz_lib.BUZZ	AUD_VREF_PORT_C - @buzz_lib.BUZZ	9C1																																																																																																																																																																																																																																																																																																																																						
AUD_VREF_PORT_D - @buzz_lib.BUZZ	AUD_VREF_PORT_D - @buzz_lib.BUZZ	9C1																																																																																																																																																																																																																																																																																																																																						
BAL_IN_COM	BAL_IN_COM - @buzz_lib.BUZZ	9C7 12B1																																																																																																																																																																																																																																																																																																																																						
BAL_IN_L - @buzz_lib.BUZZ	BAL_IN_L - @buzz_lib.BUZZ	9C7 12B1																																																																																																																																																																																																																																																																																																																																						
BAL_IN_R - @buzz_lib.BUZZ	BAL_IN_R - @buzz_lib.BUZZ	9C7 12B1																																																																																																																																																																																																																																																																																																																																						
BEFP - @buzz_lib.BUZZ	BEFP - @buzz_lib.BUZZ	9C6																																																																																																																																																																																																																																																																																																																																						
CHGR_ACLIM																																																																																																																																																																																																																																																																																																																																								

	8	7	6	5	4	3	2	1		
D	Title: Cref Part Report Design: buzz Date: Dec 2 9:16:54 2005		C7843 CAP_402 buzz[13B2] C7890 CAP_402 buzz[13C1] C8200 CAP_805 buzz[14C7] C8201 CAP_805 buzz[14D7] C8203 CAP_402 buzz[14C7] C8204 CAP_603 buzz[14D6] C8205 CAP_603 buzz[14D4] C8206 CAP_402 buzz[14C2] C8210 CAP_402 buzz[14B6] C8250 CAP_805 buzz[14B4] C8300 CAP_402 buzz[15D6] C8301 CAP_402 buzz[15C6] C8302 CAP_402 buzz[15C6] C8303 CAP_603 buzz[15C4] C8304 CAP_402 buzz[15D4] C8305 CAP_1206 buzz[15C2] C8306 CAP_1206 buzz[15C2] C8307 CAP_603 buzz[15D7] C8308 CAP_1210 buzz[15C3] C8309 CAP_P_6_3X5.5SM1 buzz[15C2] C8310 CAP_1210 buzz[15B2] C8311 CAP_402 buzz[15D6] C8312 CAP_402 buzz[15D5] C8314 CAP_402 buzz[15C6] C8315 CAP_402 buzz[15C6] C8316 CAP_1206 buzz[15C2] C8319 CAP_402 buzz[15D6] C8320 CAP_402 buzz[15B7] C8321 CAP_402 buzz[15B6] C8322 CAP_402 buzz[15B6] C8323 CAP_402 buzz[15A6] C8324 CAP_402 buzz[15B5] C8325 CAP_402 buzz[15B5] C8327 CAP_402 buzz[15B2] C8330 CAP_402 buzz[15A2] C8340 CAP_603 buzz[15D7] C8341 CAP_402 buzz[15C7] C8361 CAP_402 buzz[15A7] C8362 CAP_402 buzz[15A7] C8370 CAP_603 buzz[15C5] C8405 CAP_402 buzz[16C3] C8415 CAP_402 buzz[16C7] C8450 CAP_402 buzz[16B4] D5100 DIODE_SCHOT_3P_A_SC- buzz[5B3] 75 D7300 DIODE_SCHOT_3P_A_SC- buzz[11C7] 75 D7301 DIODE_SCHOT_3P_A_SC- buzz[11A6] 75 D7800 DIO_MBRM140T3_SM_SMD buzz[13B3] D8200 DIODE_SCHOT_3P_A_SC- buzz[14C7] 75 D8201 DIODE_SOT23 buzz[14D5] D8300 DIODE_SCHOT_SOD-123 buzz[15C3] D8321 DIODE_SOT23 buzz[15B4] D8340 DIODE_SOT23 buzz[15C7] D87300 SUPPR_TRANSIENT_4P1_ buzz[11C6] 0405 D87301 SUPPR_TRANSIENT_4P1_ buzz[11C6] 0405 D87350 SUPPR_TRANSIENT_4P1_ buzz[11A6] 0405 D87351 SUPPR_TRANSIENT_4P1_ buzz[11A6] 0405 F8200 FUSE_1206 buzz[14D5] F8302 FUSE_1206 buzz[15B3] FL5500 FILTER_4P_TCM1005 buzz[8C2] FL5501 FILTER_4P_TCM1005 buzz[8B3] J5100 CON_F4RT_USB_S2MT_TH buzz[5C2] _F-RT-TH-USB-LFT J5300 CON_F26RT_S2MT_SM_F- buzz[6D2] RT-SM J5400 CON_F52RT_D2MT_SM_F- buzz[7C5] ST-SM J5500 CON_F80ST_D4MT_SM_F- buzz[8C4] ST-SM J7300 CON_F8RT_SPDIFFRAN_T buzz[11D8] H2_F-RT-TH J7350 CON_F8RT_SPDIFRCVR_T buzz[11B8] H2_F-RT-TH J7380 CON_M8ST_S_TH_M-ST-T buzz[11C1] H J8200 CON_F5RT_S2MT_TH3_F- buzz[14D8] RT-TH J8215 CON_M12ST_S_SM-M-ST- buzz[14B2] SM L5100 FILTER_4P_SM buzz[5C4] L5101 IND_SM buzz[5C4] L5150 IND_SM buzz[5B4] L6800 IND_0402 buzz[9B4] L6801 IND_0402 buzz[9D6] L7200 IND_0402 buzz[10D6] L7201 IND_0402 buzz[10C6] L7250 IND_0402 buzz[10C6] L7251 IND_0402 buzz[10C6] L7260 IND_0402 buzz[10B6] L7261 IND_0402 buzz[10A6] L7270 IND_0402 buzz[10A4] L7271 IND_0402 buzz[10B4] L7300 IND_0402 buzz[11D6] L7301 IND_0402 buzz[11D4] L7302 IND_0402 buzz[11D6] L7303 IND_0402 buzz[11C6] L7304 IND_0402 buzz[11C4] L7305 IND_0402 buzz[11C6] L7306 IND_0402 buzz[11C4] L7307 IND_0402 buzz[11C6] L7350 IND_0402 buzz[11B6] L7351 IND_0402 buzz[11B4] L7352 IND_0402 buzz[11B6] L7353 IND_0402 buzz[11B6] L7354 IND_0402 buzz[11B4] L7355 IND_0402 buzz[11B6] L7356 IND_0402 buzz[11B4] L7357 IND_0402 buzz[11A6] L7400 IND_0402 buzz[12B4] L7800 IND_IHLP buzz[13B3] L8200 FILTER_4P_SM buzz[14D6] L8201 IND_SM-1 buzz[14D6] L8300 IND_3P_SM buzz[15C3] L8320 IND_SM-LF buzz[15B2] L8321 IND_SM-LF buzz[15A2] Q5360 TRA_2N7002D_SOT23-LF buzz[6B3] Q7400 TRA_2N7002D_SOT-363 buzz[12C7 12D7]	Q7401 TRA_2N7002D_SOT-363 buzz[12D5 12D6] Q7402 TRA_2N7002D_SOT-363 buzz[12B7 12C5] Q7410 TRA_2N7002D_SOT-363 buzz[12A4 12A5] Q7800 TRA_FDC796N_SUPERSOT buzz[13C4] -6 Q7801 TRA_FDC796N_SUPERSOT buzz[13B4] -6 Q7890 TRA_FDC638P_SM-LF buzz[13C2] Q8200 TRA_2N7002D_SOT-363 buzz[14C2 14C3] Q8209 TRA_TP0610_SOT23-3 buzz[14D2] Q8210 TRA_2N7002D_SOT-363 buzz[14C1 14A5] Q8250 TRA_S14405DY_SO-8 buzz[14B4] Q8300 TRA_S14405DY_SO-8 buzz[15D4] Q8301 TRA_HAT2168H_LFPAK buzz[15C3] Q8302 TRA_HAT2165H_LFPAK buzz[15C3] Q8320 TRA_S14405DY_SO-8 buzz[15B5] Q8321 TRA_S14405DY_SO-8 buzz[15B4] Q8322 TRA_2N7002D_SOT-363 buzz[15A5 15A6] Q8324 TRA_2N7002D_SOT-363 buzz[15A4 15A5] Q8340 TRA_IHLM5203_SM buzz[15D7] Q8350 TRA_2N7002_SOT23-LF buzz[15B7] R0600 RES_402 buzz[4A5] R0601 RES_402 buzz[4A5] R5190 RES_402 buzz[5C5] R5300 RES_402 buzz[6C6] R5301 RES_402 buzz[6C6] R5352 RES_402 buzz[6A6] R5353 RES_402 buzz[6B5] R5354 RES_402 buzz[6B5] R5360 RES_402 buzz[6B3] R5361 RES_402 buzz[6B3] R6800 RES_402 buzz[9C6] R6801 RES_402 buzz[9B5] R6802 RES_402 buzz[9B4] R6803 RES_402 buzz[9A3] R6807 RES_402 buzz[9D7] R6808 RES_402 buzz[9D3] R6810 RES_402 buzz[9B2] R6811 RES_402 buzz[9A2] R6850 RES_402 buzz[9B7] R6851 RES_402 buzz[9B7] R6852 RES_402 buzz[9B7] R6853 RES_402 buzz[9A7] R6854 RES_402 buzz[9B4] R7201 RES_402 buzz[10C4] R7202 RES_402 buzz[10C5] R7300 RES_402 buzz[11C4] R7301 RES_402 buzz[11C4] R7320 RES_402 buzz[11D7] R7321 RES_402 buzz[11B7] R7349 RES_402 buzz[11B7] R7350 RES_402 buzz[11A4] R7351 RES_402 buzz[11A4] R7380 RES_402 buzz[11C2] R7381 RES_402 buzz[11C1] R7390 RES_402 buzz[11B2] R7391 RES_402 buzz[11B6] R7401 RES_402 buzz[12D8] R7402 RES_402 buzz[12D7] R7403 RES_402 buzz[12C7] R7404 RES_402 buzz[12C4] R7405 RES_402 buzz[12D5] R7406 RES_402 buzz[12D6] R7407 RES_402 buzz[12D5] R7411 RES_402 buzz[12C8] R7412 RES_402 buzz[12B7] R7413 RES_402 buzz[12C6] R7414 RES_402 buzz[12C4] R7415 RES_402 buzz[12C5] R7420 RES_402 buzz[12A4] R7430 RES_603 buzz[12D3] R7431 RES_603 buzz[12C3] R7432 RES_603 buzz[12C3] R7433 RES_603 buzz[12B3] R7434 RES_402 buzz[12C2] R7435 RES_402 buzz[12C2] R7436 RES_402 buzz[12C2] R7437 RES_402 buzz[12B2] R7450 RES_402 buzz[12B7] R7451 RES_402 buzz[12A7] R7452 RES_402 buzz[12A7] R7453 RES_402 buzz[12A6] R7454 RES_402 buzz[12A6] R7460 RES_402 buzz[12C7] R7461 RES_402 buzz[12C6] R7800 RES_402 buzz[13B2] R7802 RES_402 buzz[13C6] R7804 RES_402 buzz[13C7] R7805 RES_402 buzz[13B7] R7806 RES_402 buzz[13B8] R7808 RES_402 buzz[13B7] R7810 RES_402 buzz[13B4] R7821 RES_402 buzz[13B3] R7822 RES_402 buzz[13B3] R7823 RES_402 buzz[13C5] R7830 RES_402 buzz[13C6] R7890 RES_402 buzz[13C2] R8200 RES_402 buzz[14C2] R8201 RES_402 buzz[14D2] R8202 RES_402 buzz[14D5] R8203 RES_402 buzz[14C5] R8204 RES_402 buzz[14C6] R8205 RES_402 buzz[14D3] R8207 RES_805 buzz[14D4] R8208 RES_402 buzz[14D5] R8209 RES_402 buzz[14D1] R8210 RES_402 buzz[14A7] R8212 RES_402 buzz[14A7] R8213 RES_402 buzz[14A7] R8214 RES_402 buzz[14A7] R8215 RES_402 buzz[14A7] R8216 RES_402 buzz[14A6] R8221 RES_402 buzz[14B5] R8250 RES_402 buzz[14B4] R8290 RES_402 buzz[14C5] R8291 RES_402 buzz[14C4] R8300 RES_402 buzz[15D5] R8301 RES_402 buzz[15C6] R8302 RES_402 buzz[15D6] R8303 RES_402 buzz[15C4] R8304 RES_402 buzz[15B1] R8305 RES_402 buzz[15C4] R8306 RES_402 buzz[15B1] R8307 RES_0612 buzz[15D3]	R8308 RES_0612 buzz[15C2] R8310 RES_402 buzz[15D4] R8311 RES_402 buzz[15D6] R8320 RES_2525 buzz[15B4] R8322 RES_402 buzz[15B5] R8323 RES_402 buzz[15A5] R8324 RES_402 buzz[15A6] R8325 RES_402 buzz[15A6] R8330 RES_402 buzz[15B5] R8331 RES_402 buzz[15B5] R8340 RES_402 buzz[15D8] R8341 RES_402 buzz[15D8] R8342 RES_402 buzz[15D8] R8343 RES_402 buzz[15C8] R8344 RES_402 buzz[15C7] R8350 RES_402 buzz[15C7] R8352 RES_402 buzz[15B8] R8360 RES_402 buzz[15B8] R8362 RES_402 buzz[15A8] R8363 RES_402 buzz[15A7] R8364 RES_402 buzz[15C6] R8365 RES_402 buzz[15B6] R8366 RES_402 buzz[15A7] R8367 RES_402 buzz[15A7] R8370 RES_603 buzz[15C4] R8450 RES_402 buzz[16B4] R8451 RES_402 buzz[16B4] U5100 SWI_TP82051BDGN_MSOP buzz[5C6] U5300 PWR_CNTRL_TP82231_QF buzz[6C5] N U5351 MC74VHC1G08_SCT0-5 buzz[6A6] U5352 MC74VHC1G08_SCT0 buzz[6A5] U5360 MC74VHC1G08_SCT0-5 buzz[6B2] U6800 AUDIO_STAC9220_LQFP buzz[9D5] U7200 MAX9715_QFN-LF buzz[10C4] U7800 ISL6269_QFN buzz[13C6] U8200 COMPARATOR_LMC7211_8 buzz[14A6] M-LF U8250 MC74VHC1G08_SCT0 buzz[14A5] U8290 COMPARATOR_LM397_SOT buzz[14C4] 23-5 U8300 ISL6255_QFN buzz[15D5] U8405 INA193_SOT23-5 buzz[16C3] U8415 INA194_SOT23-5 buzz[16C6] U8450 TMP106_WCSP-6 buzz[16B5] VR6800 LREG_TPS79501_SOT223 buzz[9B3] -6 VR8290 SHVTRRG_LM431_SOT23- buzz[14C5] 3-LF XW7300 SHORT_SM buzz[11C4] XW7301 SHORT_SM buzz[11B4] XW7310 SHORT_SM buzz[11B2] XW7311 SHORT_SM buzz[11B2] XW7312 SHORT_SM buzz[11B2] XW7400 SHORT_SM buzz[12A6] XW7800 SHORT_SM buzz[13B6] XW8300 SHORT_SM buzz[15C5] XW8301 SHORT_SM buzz[15D3] XW8302 SHORT_SM buzz[15C3] XW8303 SHORT_SM buzz[15B2] XW8304 SHORT_SM buzz[15B2]					
	C									
B										
A										