

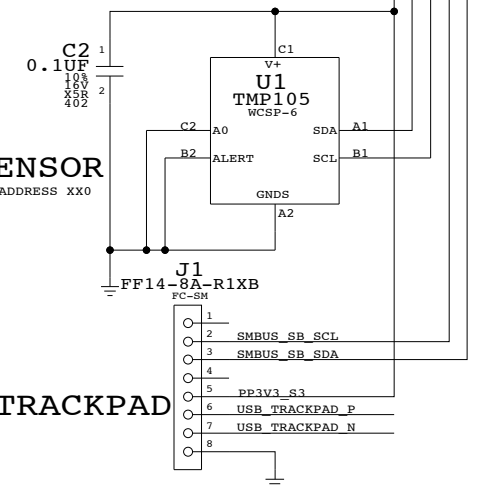
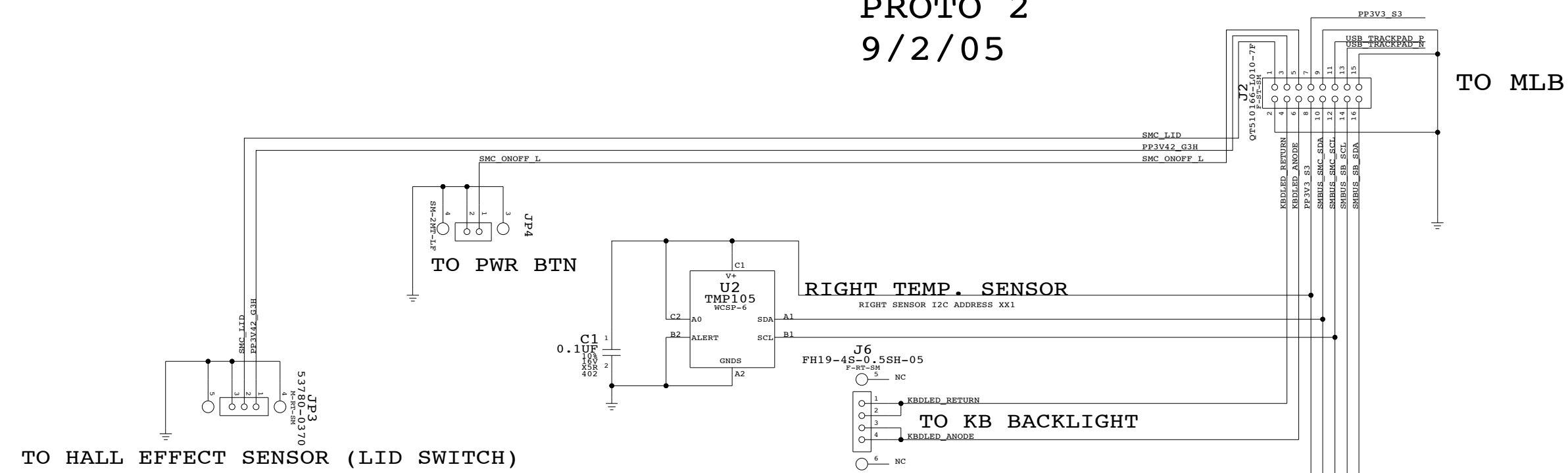
REV	ZONE	ECN	DESCRIPTION OF CHANGE	CK APPD	ENG APPD
04		39821	ENGINEERING RELEASE	09/02/05	

SCHEM, FLEX, TOP CASE, M1

PROTO 2

9/2/05

1. ALL RESISTANCE VALUES ARE IN OHMS, 0.1 WATT +/- 5%.
2. ALL CAPACITANCE VALUES ARE IN MICROFARADS.
3. ALL CRYSTALS & OSCILLATOR VALUES ARE IN HERTZ.



Differential Signals

GROUP	SIG_NAME	DIFFERENTIAL_PAIR	MATCHED_DELAY	MIN_LINE_WIDTH	NET_SPACING_TYPE	NET_PHYSICAL_TYPE
USB	USB_TRACKPAD_N	USB_TRACKPAD	USB_D2:::40	MIN_LINE_WIDTH=0.127MM	USB	USB
	USB_TRACKPAD_P	USB_TRACKPAD	USB_D2:::40	MIN_LINE_WIDTH=0.127MM	USB	USB

Power Signals

GROUP	SIG_NAME	VOLTAGE	MIN_LINE_WIDTH	MIN_NECK_WIDTH
PP3V3S3	PP3V3S3	VOLTAGE=3.3V	MIN_LINE_WIDTH=0.458MM	MIN_NECK_WIDTH=0.200MM
	SMC_LID		MIN_LINE_WIDTH=0.254MM	MIN_NECK_WIDTH=0.200MM
PP3V42_G3H	PP3V42_G3H	VOLTAGE=3.3V	MIN_LINE_WIDTH=0.254MM	MIN_NECK_WIDTH=0.200MM
	GND	VOLTAGE=0V	MIN_LINE_WIDTH=2.54MM	MIN_NECK_WIDTH=0.200MM

PART#	QTY	DESCRIPTION	REFERENCE DESIGNATOR(S)	BOM OPTION
051-6965	1	SCHEM, FLEX, TOP CASE, M1	SCH1	
821-0404	1	PCBF, FLEX, TOP CASE, M1	PCB1	

DIMENSIONS ARE IN MILLIMETERS

XX : _____

X.XX : _____

X.XXX : _____

ANGLES : _____

DO NOT SCALE DRAWING

THIRD ANGLE PROJECTION

METRIC

DRAPTR	DESIGN CK
ENG APPD	MFG APPD
QA APPD	DESIGNER
RELEASE	SCALE
	NONE

MATERIAL/FINISH NOTED AS APPLICABLE

SIZE D

Apple Computer Inc.

NOTICE OF PROPRIETARY PROPERTY

THE INFORMATION CONTAINED HEREIN IS THE PROPRIETARY PROPERTY OF APPLE COMPUTER, INC. THE POSSESSOR AGREES TO THE FOLLOWING

I TO MAINTAIN THE DOCUMENT IN CONFIDENCE
II NOT TO REPRODUCE OR COPY IT
III NOT TO REVEAL OR PUBLISH IN WHOLE OR PART

SCHEM, FLEX, TOP CASE, M1

DRAWING NUMBER **051-6965** REV. **04**

SHT 1 OF 1