

8

7

6

5

4

3

2

1

1. ALL RESISTANCE VALUES ARE IN OHMS, 0.1 WATT +/- 5%.
2. ALL CAPACITANCE VALUES ARE IN MICROFARADS.
3. ALL CRYSTALS & OSCILLATOR VALUES ARE IN HERTZ.

REV	ZONE	ECN	DESCRIPTION OF CHANGE	CK APPD	ENG APPD
				DATE	DATE
04		412703	ENGINEERING RELEASED	12/02/05	?

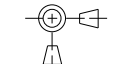

M1 GOATEE

DVT VERSION

REVISION HISTORY

DATE	DESIGNER	DESCRIPTION
9/20/05	BBAILEY	PROTO VERSION - REDRAWN FROM 051-6943 REVISION A
9/20/05	BBAILEY	PROTO VERSION - CHANGED J3, TESTPOINTS FOR J1, SMALLER C7
9/20/05	BBAILEY	PROTO VERSION - ADDED CRITICAL AND OMIT TO U1, ADDED TABLE_5
10/3/05	NMARTIN	PRE-EVT VERSION - CHANGED C9 PACKAGE, ADDED TESTPOINT ATTRS.
10/6/05	NMARTIN	PRE-EVT VERSION - REMOVED USB CONNECTOR, ADDED SMT PADS
10/6/05	NMARTIN	PRE-EVT VERSION - REMOVED C5, REMOVED HOLES
10/19/05	NMARTIN	EVT VERSION - ADDED HOLES FOR BRACKET
11/30/05	NMARTIN	DVT VERSION - REMOVED HOLES FOR BRACKET

PART NUMBER	QTY	DESCRIPTION	REFERENCE DES	CRITICAL	BOM OPTION
051-7007	1	SCHEM, GOATEE, M1	SCH	CRITICAL	
820-1947	1	PCBF, GOATEE, M1	PCB	CRITICAL	
630-7381	1	PCBA, GOATEE, M1	BOM		OMIT

DIMENSIONS ARE IN MILLIMETERS XX : _____ X.XX : _____ X.XXX : _____ ANGLES : _____ DO NOT SCALE DRAWING  THIRD ANGLE PROJECTION	METRIC		 Apple Computer Inc.	
	NOTICE OF PROPRIETARY PROPERTY THE INFORMATION CONTAINED HEREIN IS THE PROPRIETARY PROPERTY OF APPLE COMPUTER, INC. THE POSSESSOR AGREES TO THE FOLLOWING I TO MAINTAIN THE DOCUMENT IN CONFIDENCE II NOT TO REPRODUCE OR COPY IT III NOT TO REVEAL OR PUBLISH IN WHOLE OR PART			
	DRAFTER <input type="checkbox"/> / ENG APPD <input type="checkbox"/> / QA APPD <input type="checkbox"/> / RELEASE <input type="checkbox"/> /	DESGN CK <input type="checkbox"/> / MFG APPD <input type="checkbox"/> / DESIGNER <input type="checkbox"/> / SCALE NONE <input type="checkbox"/> /	TITLE SCHEM, GOATEE, M1	
	MATERIAL/FINISH NOTED AS APPLICABLE		SIZE D	DRAWING NUMBER 051-7007
		REV. 04	SHT 1 OF 2	

8

7

6

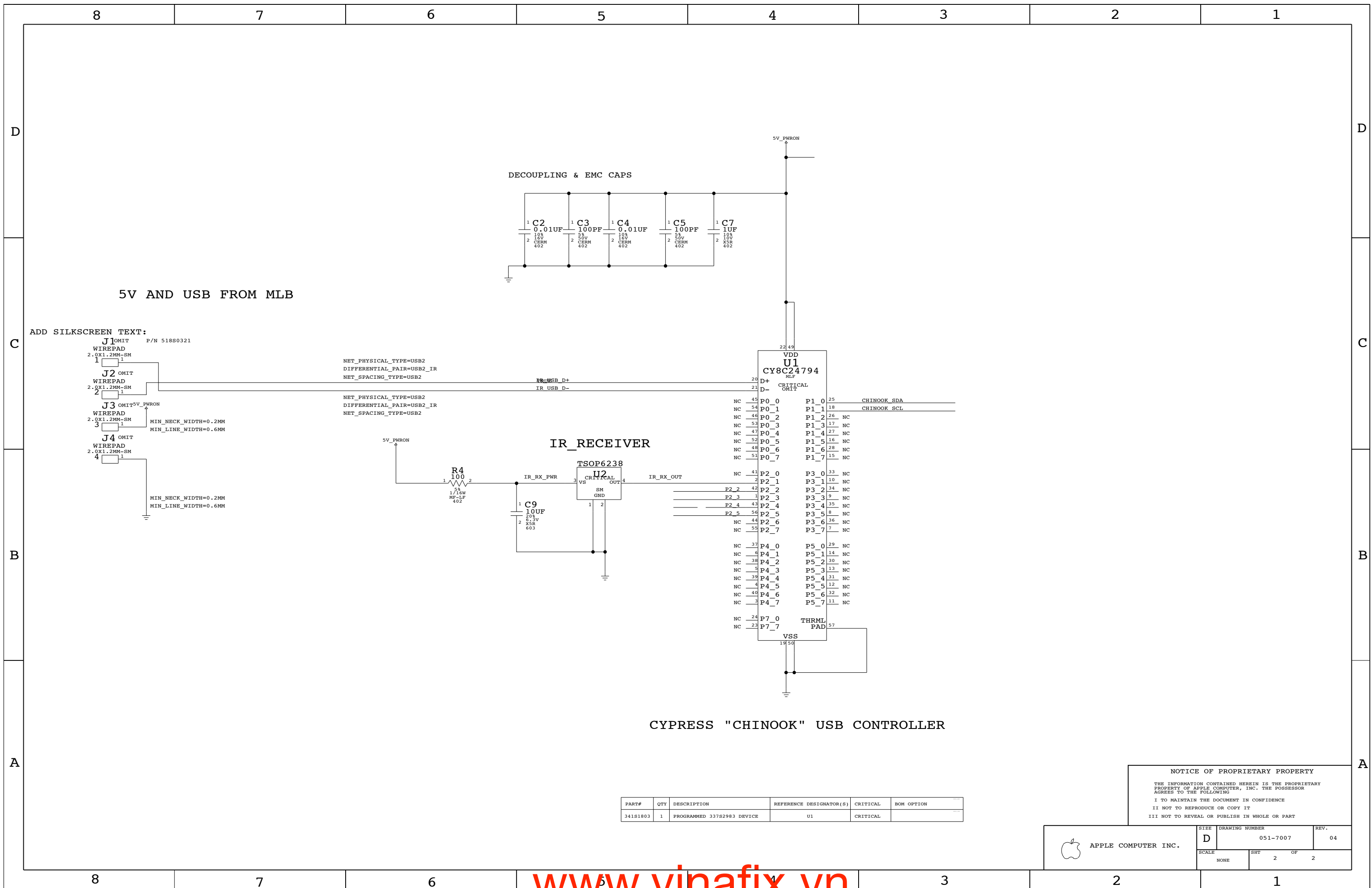
5

4

3

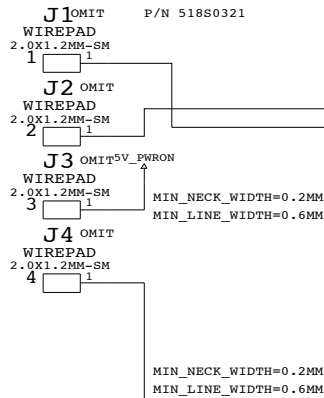
2

1



5V AND USB FROM MLB

ADD SILKSCREEN TEXT:

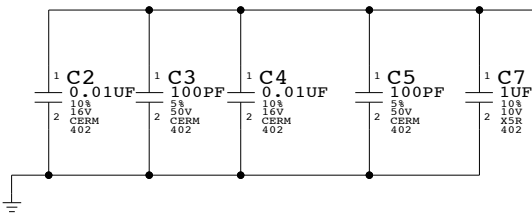


NET_PHYSICAL_TYPE=USB2
DIFFERENTIAL_PAIR=USB2_IR
NET_SPACING_TYPE=USB2

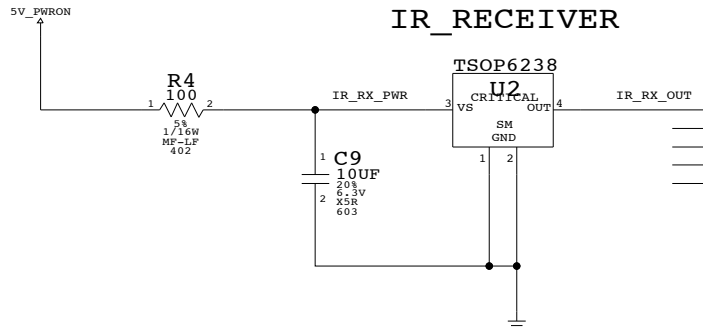
NET_PHYSICAL_TYPE=USB2
DIFFERENTIAL_PAIR=USB2_IR
NET_SPACING_TYPE=USB2

MIN_NECK_WIDTH=0.2MM
MIN_LINE_WIDTH=0.6MM

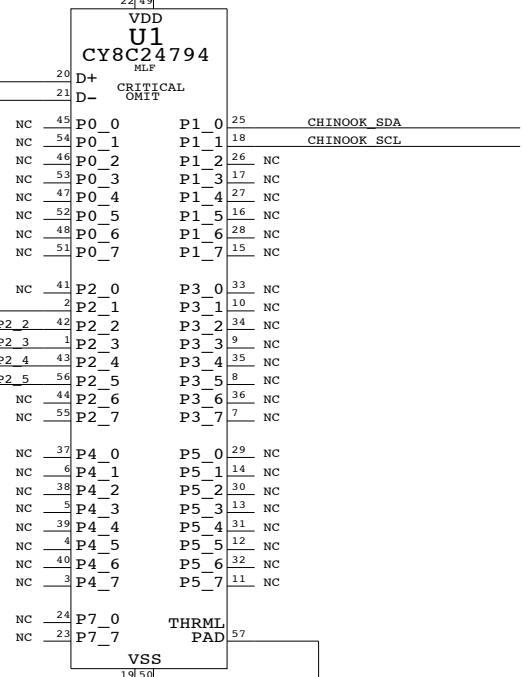
DECOUPLING & EMC CAPS



IR_RECEIVER



CYPRESS "CHINOOK" USB CONTROLLER



PART#	QTY	DESCRIPTION	REFERENCE DESIGNATOR(S)	CRITICAL	BOM OPTION
341S1803	1	PROGRAMMED 337S2983 DEVICE	U1	CRITICAL	

NOTICE OF PROPRIETARY PROPERTY
 THE INFORMATION CONTAINED HEREIN IS THE PROPRIETARY PROPERTY OF APPLE COMPUTER, INC. THE POSSESSOR AGREES TO THE FOLLOWING
 I TO MAINTAIN THE DOCUMENT IN CONFIDENCE
 II NOT TO REPRODUCE OR COPY IT
 III NOT TO REVEAL OR PUBLISH IN WHOLE OR PART

APPLE COMPUTER INC.	SIZE D	DRAWING NUMBER 051-7007	REV. 04
	SCALE NONE	SHEET 2	OF 2