

8

7

6

5

4

3

2

1

- 1. ALL RESISTANCE VALUES ARE IN OHMS, 0.1 WATT +/- 5%.
- 2. ALL CAPACITANCE VALUES ARE IN MICROFARADS.
- 3. ALL CRYSTALS & OSCILLATOR VALUES ARE IN HERTZ.

REV	ZONE	ECN	DESCRIPTION OF CHANGE	CK APPD	ENG APPD
				DATE	DATE
01		395077	ENGINEERING RELEASED	08/12/05	?

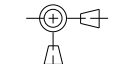

M1 / M9 FHB-MCO_HBAR

PROTO VERSION

REVISION HISTORY

DATE	DESIGNER	DESCRIPTION
8/10/05	BBAILEY	PROTO VERSION - COPIED FROM 051-6964 REVISION 00016
8/10/05	BBAILEY	PROTO VERSION - SWITCH TO 1.0 MM HOT BAR CONNECTOR
8/11/05	BBAILEY	PROTO VERSION - 820 AND 630 NUMBERS ADDED
8/11/05	BBAILEY	PROTO VERSION - REMOVED MAX_EXPOSED_LENGTH, SPACING, NECK WIDTH = 0.2
8/11/05	BBAILEY	PROTO VERSION - REWIRE CONNECTOR J7
8/11/05	BBAILEY	PROTO VERSION - CHANGING HOLE
8/12/05	BBAILEY	PROTO VERSION - CHANGING HOLE

PART NUMBER	QTY	DESCRIPTION	REFERENCE DES	CRITICAL	BOM OPTION
051-6978	1	SCH, M1/M9, FHB_MCO_HBAR	SCH	?	?
820-1920	1	PCB, M1/M9, FHB_MCO_HBAR	PCB	?	?
630-7311	1	PCBA, FHB_MCO_HBAR, M1_M9	BOM	?	OMIT

DIMENSIONS ARE IN MILLIMETERS XX : _____ X.XX : _____ X.XXX : _____ ANGLES : _____ DO NOT SCALE DRAWING  THIRD ANGLE PROJECTION	METRIC		 Apple Computer Inc. NOTICE OF PROPRIETARY PROPERTY THE INFORMATION CONTAINED HEREIN IS THE PROPRIETARY PROPERTY OF APPLE COMPUTER, INC. THE POSSESSOR AGREES TO THE FOLLOWING I TO MAINTAIN THE DOCUMENT IN CONFIDENCE II NOT TO REPRODUCE OR COPY IT III NOT TO REVEAL OR PUBLISH IN WHOLE OR PART
	DRAPTER	DESIGN CK	
	ENG APPD	MFG APPD	
	QA APPD	DESIGNER	
RELEASE	SCALE	NONE	TITLE
MATERIAL/FINISH NOTED AS APPLICABLE	SIZE	D	M1/M9 FHB-MCO_HBAR DRAWING NUMBER 051-6978 REV. 01
SHT 1 OF 3			

8

7

6

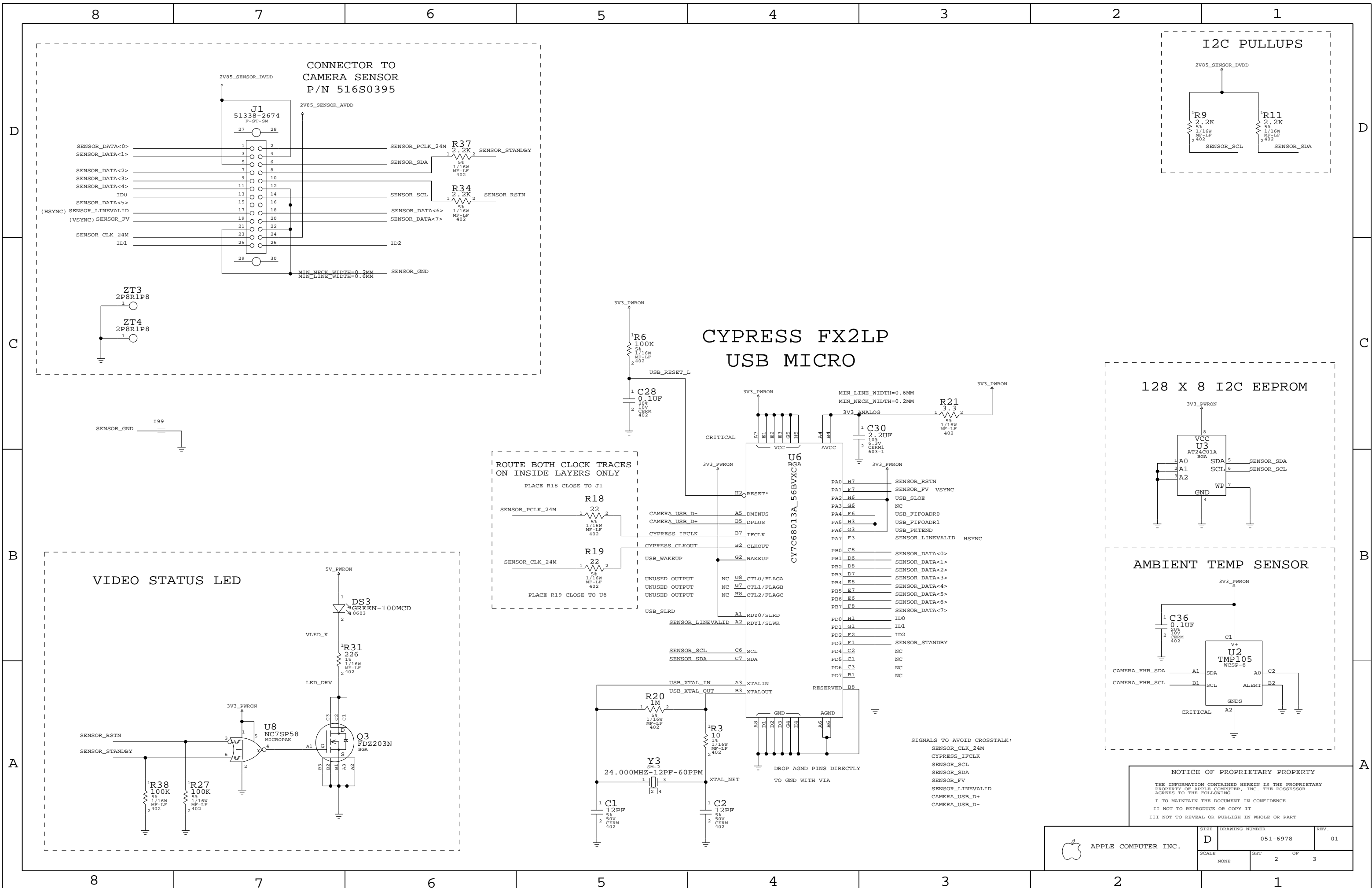
5

4

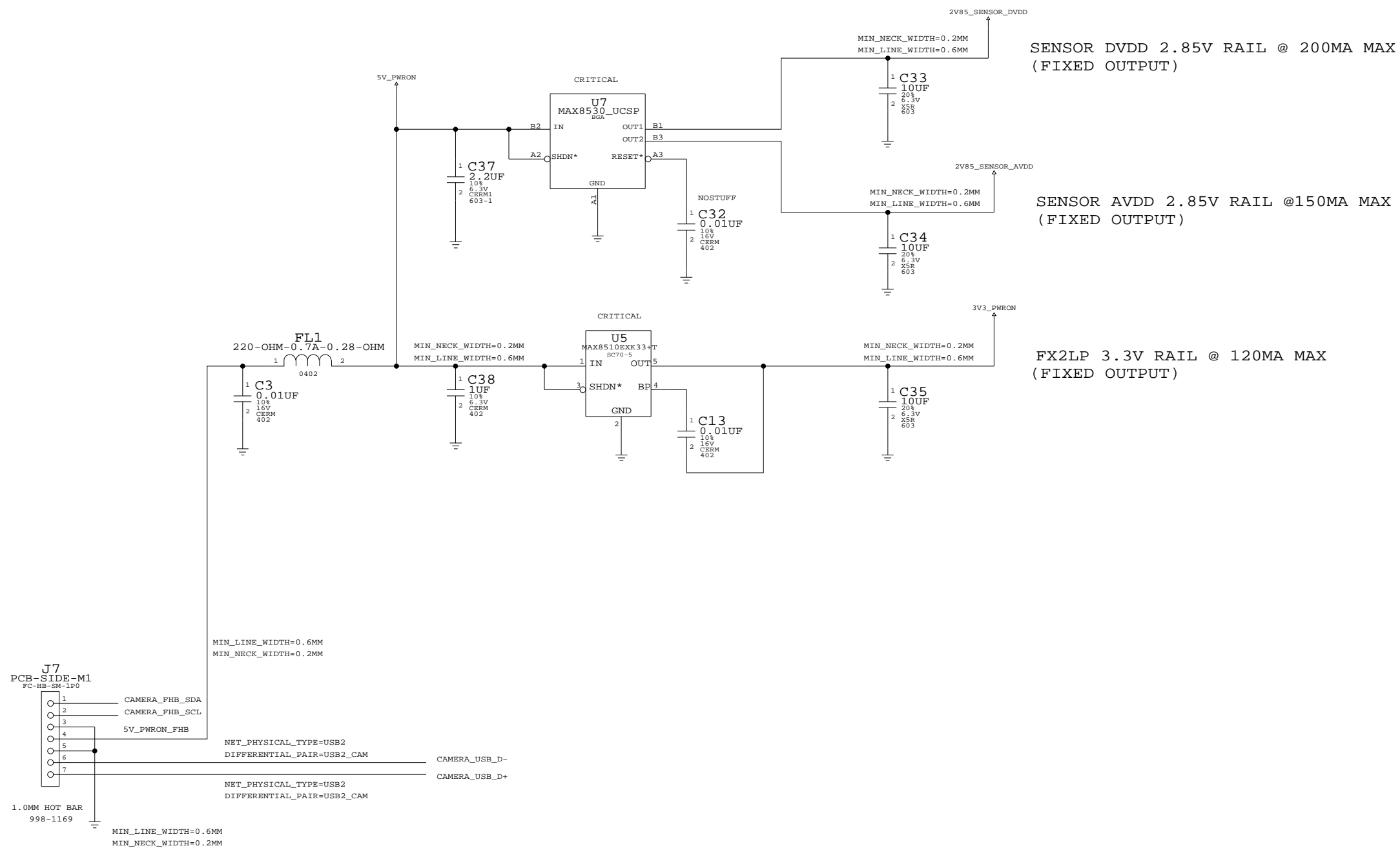
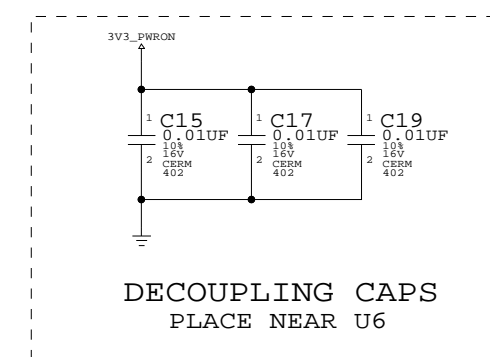
3

2

1



POWER REGULATORS DECOUPLING, AND INTERCONNECT



MLB TO FHB CONNECTION

NOTICE OF PROPRIETARY PROPERTY
 THE INFORMATION CONTAINED HEREIN IS THE PROPRIETARY PROPERTY OF APPLE COMPUTER, INC. THE POSSESSOR AGREES TO THE FOLLOWING
 I TO MAINTAIN THE DOCUMENT IN CONFIDENCE
 II NOT TO REPRODUCE OR COPY IT
 III NOT TO REVEAL OR PUBLISH IN WHOLE OR PART

APPLE COMPUTER INC.	SIZE	DRAWING NUMBER	REV.
	D	051-6978	01
	SCALE	SHT	OF
	NONE	3	3