

8

7

6

5

4

3

2

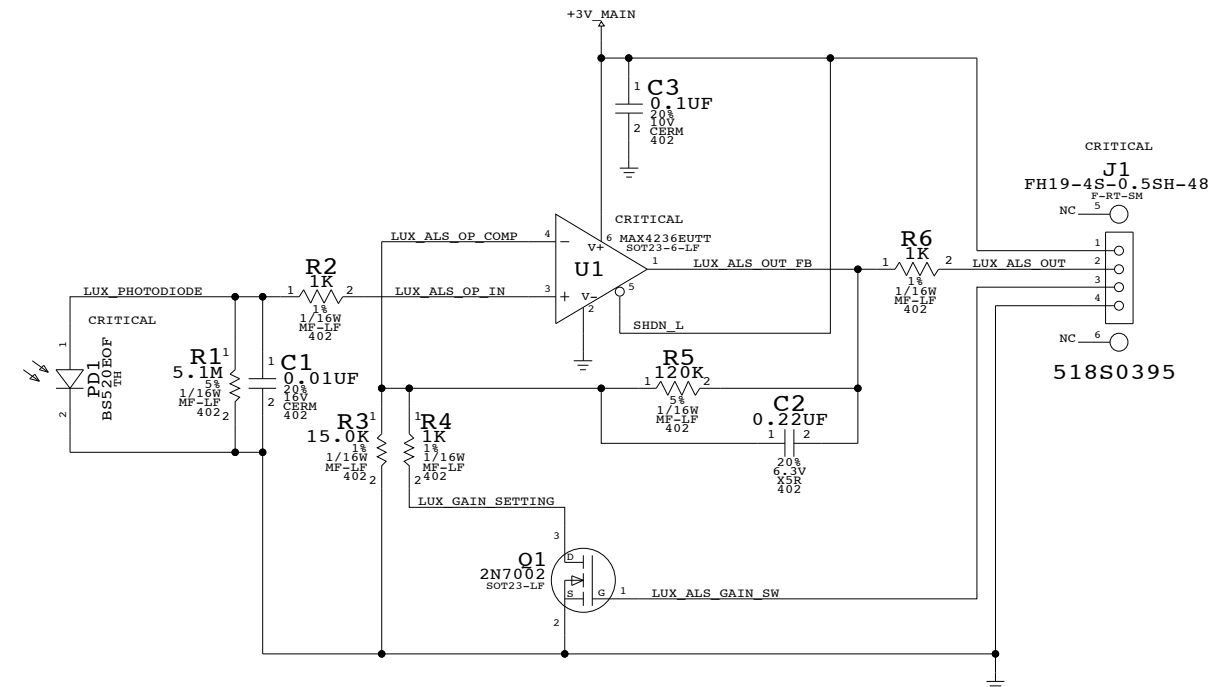
1

1. ALL RESISTANCE VALUES ARE IN OHMS, 0.1 WATT +/- 5%.
2. ALL CAPACITANCE VALUES ARE IN MICROFARADS.
3. ALL CRYSTALS & OSCILLATOR VALUES ARE IN HERTZ.

REV	ZONE	ECN	DESCRIPTION OF CHANGE	CK APPD DATE	ENG APPD DATE
03		412754	ENGINEERING RELEASED	12/02/05	

SCHEM, SIDEBURN, M1

DVT BUILD - 12/02/05



REVISION HISTORY

- 08/24/2005 - REV 00
INITIAL RELEASE
 - 08/27/2005 - REV 01
1. CHANGE ZH1,2,3 AND ZH4 TO APN#518S0321 FOR FFC
 - 2. VERSION CHANGE FROM 00 TO 01
 - 3. THE LOCATION OF 4PIN CONNECTOR IS REVISED TO J1
 - 10/19/2005 - REV 02
EVT RELEASE
 - 11/28/2005 - REV 03
4. CHANGE J1 FROM 518S0113 TO 518S0321 (ROHS-COMPLIANT)
 - 5. CHANGE J1 FROM 518S0321 TO 518S0395
 - 6. DOCUMENTED THICK & THIN PCB OPTIONS
- DVT RELEASE

PART NUMBER	QTY	DESCRIPTION	REFERENCE DES	CRITICAL	BOM OPTION
051-6990	1	SCHEM, SIDEBURN, M1	SCH1	CRITICAL	
820-1932	1	PCBF, SIDEBURN, M1	PCB1	CRITICAL	PCB_THICK
920-0344	1	PCBF, SIDEBURN THIN, M1	PCB1	CRITICAL	PCB_THIN

BOM NUMBER	BOM NAME	BOM OPTIONS
630-7322	M1_SIDEBURN	COMMON, PCB_THICK

DIMENSIONS ARE IN MILLIMETERS		METRIC		Apple Computer Inc.	
XX :	_____	DRAPFER	DESIGN CK	NOTICE OF PROPRIETARY PROPERTY THE INFORMATION CONTAINED HEREIN IS THE PROPRIETARY PROPERTY OF APPLE COMPUTER, INC. THE POSSESSOR AGREES TO THE FOLLOWING: I TO MAINTAIN THE DOCUMENT IN CONFIDENCE II NOT TO REPRODUCE OR COPY IT III NOT TO REVEAL OR PUBLISH IN WHOLE OR PART	
X.XX :	_____	ENG APPD	MFG APPD		
X.XXX :	_____	QA APPD	DESIGNER		
ANGLES :	_____	RELEASE	SCALE		
DO NOT SCALE DRAWING		NONE		TITLE	
 THIRD ANGLE PROJECTION		MATERIAL/FINISH NOTED AS APPLICABLE		SIZE D	DRAWING NUMBER
					051-6990
					REV. 03
					SHT 1 OF 1