

M72/M78 "HOP" AUDIO

M72/M78 HOP DVT

CHANGE LIST (CHANGES FROM M51)

- 23OCT06**
 1. CHANGED CODEC TO QFN, ADDED 4 AND 5 PIN FLAT SPEAKER CONNECTORS.
 2. DELETED 4 PIN MICROPHONE CONNECTOR
 3. ADDED 8 PIN MICROPHONE CONNECTOR
 4. DELETED OPTIONAL STUFF PATH FOR LINE INPUT TO CDIN OF CODEC, ADDED VARIOUS I/O LABELS
- 24OCT06**
 4. DELETED C6517, C6501, C6617, C6601 (TOO LARGE CAPS ON SPEAKER AMPLIFIERS)
 5. CHANGED R6292, C6899 TO 220UF FROM 470UF (NO NEED FOR THAT MUCH BULK)
 6. DELETED R6292, C6899 AS THEY ARE UNNEEDED IN SINGLE-ENDED MODE
 7. CHANGED CODEC AVDD CAPS TO 2UF (NOT DRIVING A HIGH CURRENT LOAD)
 8. ADDED R6799, 01 VOLTAGE REGULATOR TO GENERATE 1.2V AVDD
 9. REMOVED R6570, R6670 0.005 OHM RESISTORS THAT WERE EXPENSIVE AND NO LONGER NEEDED.
 10. REPLACED C6502, C6602 WITH MORE APPROPRIATE CAPACITORS (35380608) AS THE OTHERS WERE RARE
- 15NOV06**
 11. DELETED ALL FERRITE BEADS ON OUTPUT SIDE OF T FILTER
 12. DELETED 4 PIN STATIC ZAP DIODES
 13. REPLACED ALL OUTPUT T FILTER CAPACITORS WITH VARISTERS (100PF CAP PLUS ZAP PROTECTION)
 14. CHANGED DETECT TRANSISTORS TO SOT-253 FROM SOT-163 FOR SMALLER PACKAGE
 15. CHANGED TOP AND BOTTOM RESISTORS FOR LI DETECT SO THAT T WILL OPERATE PROPERLY
- 28NOV06**
 16. CHANGED BOARD TO BOARD CONNECTOR TO APN 516S0564 (22 PIN)
 17. ADDED SYSTEM LED
 18. ADDED DECOUPLING AROUND BRD TO BRD CONNECTOR
 19. CHANGED BOARD TO BOARD CONNECTOR TO PADS WHICH IS APN 998-1569
- 29NOV06 AUDIOHW/SW/FET DESIGN REVIEW HELD (1PM SONNY ROLLINS)**
 20. CHANGED L6201/L6202 TO CHEAPER 220 OHM FERRITE BEADS
 21. ADDED NET NAMES TO U6200 PINS 1, U6201 PINS 1, 5, 8, ADDED AUD_ TO BEEP, JDREF, VREF ON PAGE 62
 22. CHANGED R6308 TO 28K ON PAGE 63
 23. CHANGED R6410 TO 0 OHMS. CHANGED NOTES FROM LINE OUTPUT TO HEADPHONES ON PAGE 64
 24. CHANGED L6505, L6506, L6507, L6508, L6605, L6606, L6607, L6608 TO 0402 PACKAGES PAGES 65 AND 66
 25. CHANGED ALL CHASSIS NET NAMES TO THE SAME (GND CHASSIS AUDIO EXTERNAL) PAGE 67
 26. CHANGED NET NAME ON J6702 PINS 3 TO NC 16702. ADDED CHASSIS GND TO PINS 3, 6, J6701, PINS 6, 7, J6702
 27. NOSTUFFED D26702 AND D26705 AS THEY SHOULD NEVER BE NEEDED DUE TO LOCATION OF PIN DEEP INSIDE CONNECTOR
 28. CHANGED REFERENCES TO LINE OUTPUT ON PAGE 68 TO BE REFERENCES TO HEADPHONES
- 6DEC06**
 29. FIXED ONE SINGLE PIN NET ON CHASSIS GND NEAR XW6700
 30. ADDED MIN LINE WIDTH PROPERTY TO AUD LO GND
 31. DELETED ALL ALIASED NETS (+) SIGNS TO ELIMINATE AMBIGUITY
 32. FIXED THE MIN NECK/MIN LINE WIDTH PROPERTIES ON GND
 33. COMBINED 12V POWER AND GROUND FOR BOTH SPEAKER AMPLIFIERS TO AID IN PLANE POURING AND ROUTING
- 7DEC06**
 34. FIXED A COUPLE OF LINE WIDTH MINIMUMS FOR ROUTING
- 8DEC06**
 35. ADDED M72/M78 AUDIO IN/OUT CONNECTORS
 36. CHANGED R6303/08 TO 100K FROM 28K AS WE DO NOT NEED THE PULL DOWN FUNCTION FOR DETECT
 37. ADDED R6720/L6781 TO LI TYPE DETECT LINE AS WE ARE NOW GOING TO USE IT
 38. CHANGED NET NAME FOR LI DETECT TO END WITH L
 39. DELETED DETECT TRANSISTORS AS THE CONNECTORS WILL NOW TAKE THAT FUNCTIONALITY
- 11DEC06**
 40. ADDED STANDOFFS, FIXED NET PROPERTIES IN HEADPHONES CIRCUIT
- 12DEC06**
 41. MODIFIED PORT CONNECTIONS TO MATCH M75/M76 WHERE POSSIBLE
 42. MODIFIED SOME MIN LINE/MIN NECK WIDTHS ON GROUNDS FOR I/O
- 13DEC06**
 43. ADDED GPIO1 FUNCTIONALITY FOR M72/M78 SELECTION
 44. VREF_A NOW MUTES LINE OUTPUT
- 14DEC06**
 45. CHANGED J9900 TO 998-1580 (20 PIN VERSION)
- 15DEC06**
 46. ADDED RESISTOR STUFF OPTIONS TO PLATED HOLES TO CONNECT TO RELEVANT GROUNDS
 47. CHANGED MICROPHONE SHIELD SHORTR TO 0 OHM RESISTOR IN CASE WE NEED TO REMOVE A GROUND LOOP
 48. ADDED PROPER HOLES FOR AUDIO BOARD (500-8893)
 49. CHANGED PINOUT OF 20 PIN CONNECTOR TO REDUCE CROSSTALK BETWEEN SIGNALS
- 18DEC06**
 50. ADDED PROPER SIZED HOLES
 51. CHANGED 220UF CAPS FROM 126S0087 TO HIGHER TEMP, 126S0110 (ALSO ADDS A SUPPLIER FOR GSM)
 52. CHANGED C6301, C6304 TO COMPLIANT 1275050 CAPS
 53. ADDED 128S0106 AS ALTERNATE FOR C6202, C6203
 54. CHANGED L6505/06/07/08, L6605/06/07/08 TO APN 155S0137 TO MATCH PARTS ON OTHER PAGES (SAME PART WITH DIFFERENT PART NUMBER)
- 10JAN07**
 55. FOUND SERIOUS ERRORS IN DETECT CIRCUITRY, REDESIGNED DETECTS
- 11JAN07**
 56. CHANGED J6701/J6704 TO VERTICAL CONNECTORS PER PD
- 23JAN07**
 57. CHANGED U6200 TO LOFP
 58. ADDED 20 PIN ZIP CONNECTOR J9901, HOOKED UP
 59. DELETED ZT9901
- 24JAN07**
 60. PLACED QFN CODEC BACK ONTO SCHEMATIC (U6200)
 61. MODIFIED PIN OUT FOR J9900 TO PLACE DGND BETWEEN TWO POWERS
 62. CHANGED PULL DOWN RESISTORS ON OUTPUT OF MAX9722 TO 2.2K FROM 1K TO AID IN THD+N
- 29JAN07**
 63. CHANGED Q6500 TO MATCH Q6800-Q6802 (BOM COMSOLOADATION)
 64. DELETED R6203 AND HW SDFIF NET (NOT REQ'D PER DEREK DICARLO AND LAURA METZ)
 65. DELETED R6217 AND NO CONNECTED GPIO_1 (NOT REQ'D PER RADAR 4880571)
- 29JAN07**
 65. DELETED R6217 AND NO CONNECTED GPIO_1 (NOT REQ'D PER RADAR 4880571)
- 9 FEB 07**
 66. UPDATED PORT LABEL TABLE TO INCLUDE VREF A AS MUTE FOR HEADPHONES AMPLIFIER
 67. CHANGED L6280 TO 220 OHM FERRITE (SAME AS M70/75/76) AND CHANGED C6202/C6203 TO 150 UF FROM 33UF TO IMPROVE THD+N ON HEADPHONES OUTPUT.
- 13 FEB 07**
 68. ADDED DUAL ANALOG MIC SUPPORT
- 13 MAR 07**
 69. CHANGED VREF CAP ON CODEC (C6205) TO 3.3UF FROM 10UF TO ENSURE THAT THE VREF IS FULLY CHARGED WHEN SPKR AND HP AMPS ARE UNMUTED
 70. CHANGED HF COUPLING CAPS (C6400, C6401) TO 3.3UF FROM 10UF TO REDUCE POP
 71. ADDED NO-STUFFED R6854 TO CONNECT L AND R CHANNELS TOGETHER FOR MONO MIC IMPLEMENTATION
- 14 MAR 07**
 71. BACKED OUT CHANGES FOR MULTIPLE MICROPHONE SUPPORT ON THIS SCHEMATIC (MOVED CHANGES TO NEW 951-0619 TEST SCHEMATIC.)
- 26 MAR 07**
 72. ADDED R6843 (0 OHM RESISTOR) SO THAT M72/M78 WILL FOLLOW LOW POWER MODEL IMPLEMENTED ON ALL NEW MACS.
- 9 APR 07**
 73. ADDED SILICONIX PART 376S0422 AS ALTERNATE FOR 376S0568 (DUAL PACKAGE FET)
- 3 MAY 07**
 74. ADDED CRITICAL ATTRIBUTE TO A LOT OF COMPONENTS
 75. CHANGED C6406 TO 22UF PER RADAR 5063912.
- 7 MAY 07**
 76. ADDED C6219 (1UF CAP) AND CHANGED R6211 TO 2.2K FROM 1K TO FIX MLB POWER SUPPLY STARTUP ISSUE (RADAR-5183842)..
 77. REMOVED PLATING FROM TWO HOLES (ZT6800, ZT6801) AND REMOVED RESISTOR R6840 WHICH WAS NO LONGER NEEDED.
 78. STUFFED R9900, R6836, R6841, R6842 FOR EMC.


AUDIO: CODEC

SYNC_MASTER=AUDIO SYNC_DATE=08/04/2006

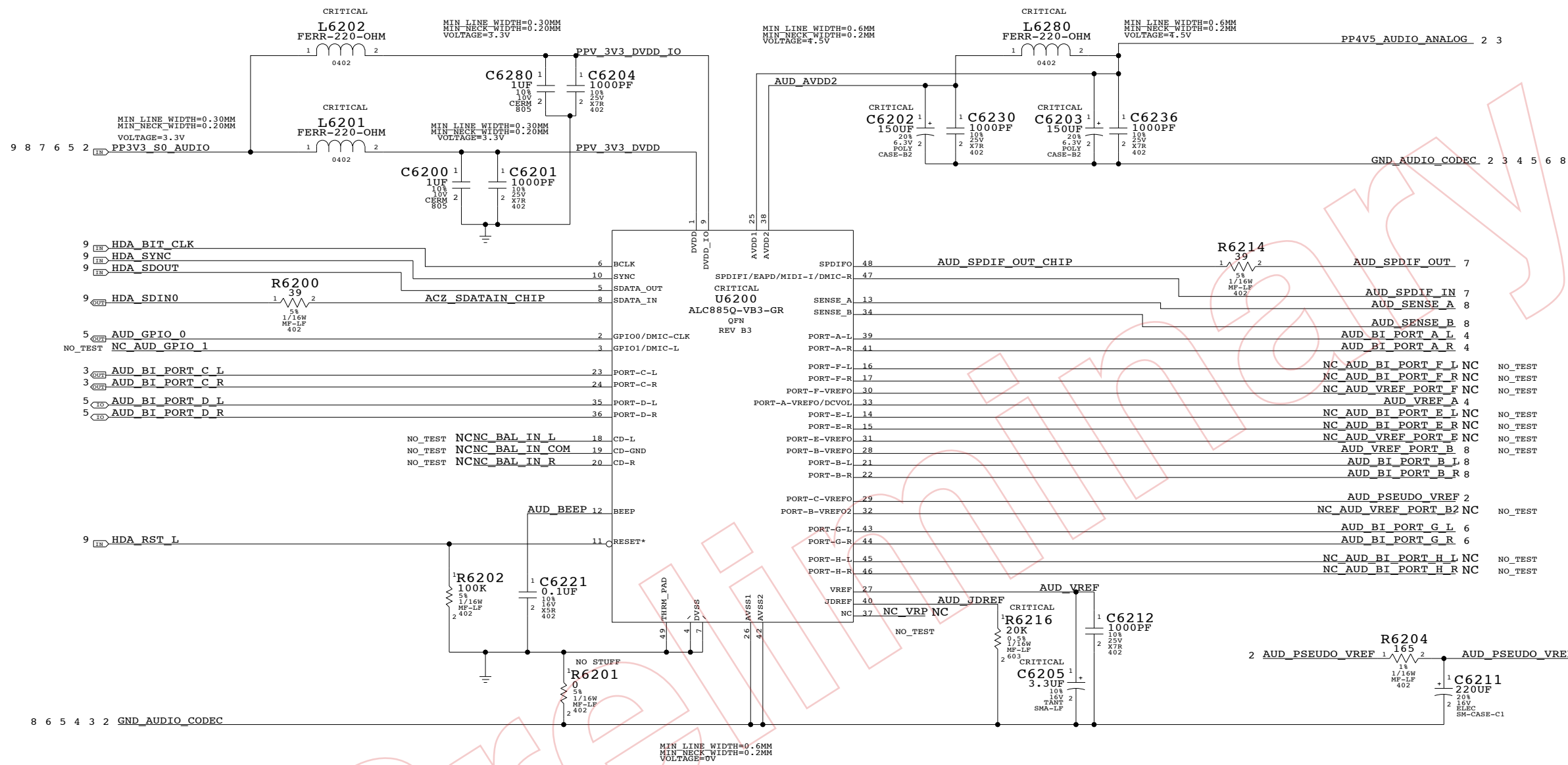
NOTICE OF PROPRIETARY PROPERTY

THE INFORMATION CONTAINED HEREIN IS THE PROPRIETARY PROPERTY OF APPLE COMPUTER, INC. THE POSSESSOR AGREES TO THE FOLLOWING

I TO MAINTAIN THE DOCUMENT IN CONFIDENCE
 II NOT TO REPRODUCE OR COPY IT
 III NOT TO REVEAL OR PUBLISH IN WHOLE OR PART

 APPLE COMPUTER INC.	SIZE	DRAWING NUMBER	REV.
	D	051-7265	16
SCALE	SHT	OF	
NONE	1	101	

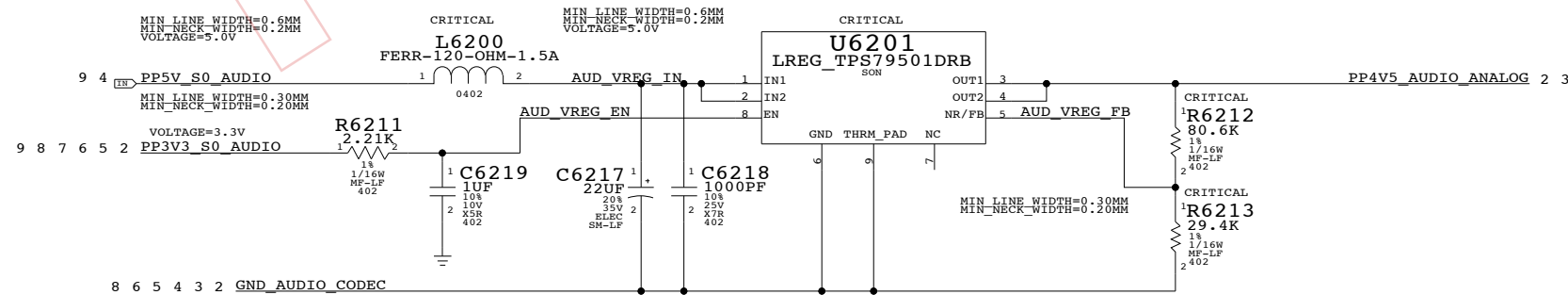
AUDIO CODEC APPLE P/N 353S1538



4.5V POWER SUPPLY FOR CODEC AND LINE IN AMP
 $V_{OUT} = 1.2246 \times (1 + (80.6K/29.4K)) = 4.58V$

PART NUMBER	ALTERNATE FOR PART NUMBER	BOM OPTION	REF DES	COMMENTS
12880106	12880079		C6202,C6203	GSM REQUEST

PART#	QTY	DESCRIPTION	REFERENCE DESIGNATOR(S)	CRITICAL	BOM OPTION
820-2136	1	PCB, FAB, AUDIO, M72/M78	MLB1		



AUDIO: CODEC
 SYNC_MASTER=AUDIO SYNC_DATE=08/04/2006
NOTICE OF PROPRIETARY PROPERTY
 THE INFORMATION CONTAINED HEREIN IS THE PROPRIETARY PROPERTY OF APPLE COMPUTER, INC. THE POSSESSOR AGREES TO THE FOLLOWING:
 I TO MAINTAIN THE DOCUMENT IN CONFIDENCE
 II NOT TO REPRODUCE OR COPY IT
 III NOT TO REVEAL OR PUBLISH IN WHOLE OR PART

APPLE COMPUTER INC.	SIZE	DRAWING NUMBER	REV.
	D	051-7265	16
SCALE	SHT	OF	
NONE	62	101	

8

7

6

5

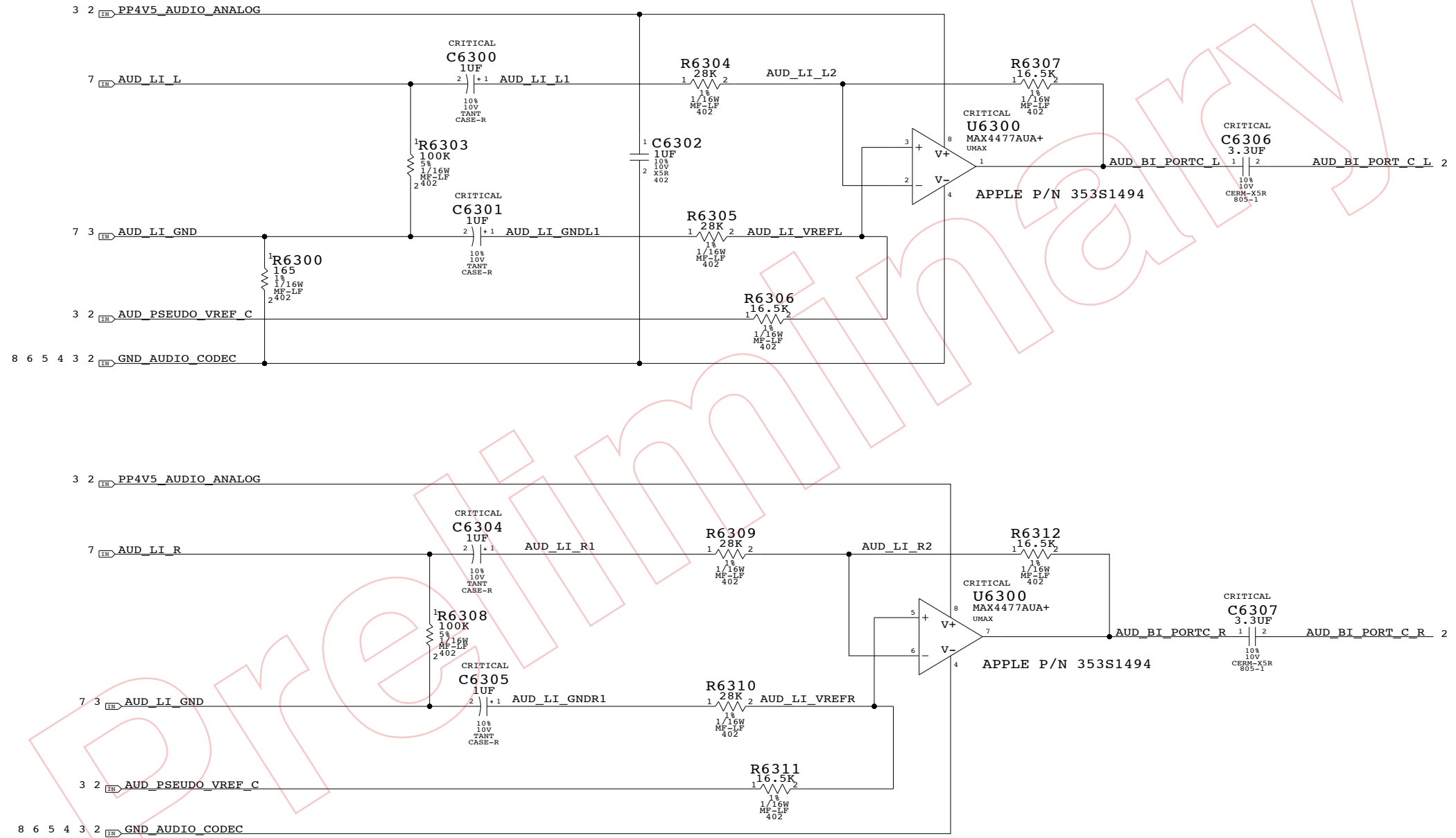
4

3

2

1

LINE IN PSEUDO-DIFFERENTIAL AMP
 $A_V = 0.59$
 $F_C = 5.7 \text{ HZ}$



AUDIO: LINE INPUT AMP

NOTICE OF PROPRIETARY PROPERTY

THE INFORMATION CONTAINED HEREIN IS THE PROPRIETARY PROPERTY OF APPLE COMPUTER, INC. THE POSSESSOR AGREES TO THE FOLLOWING
 I TO MAINTAIN THE DOCUMENT IN CONFIDENCE
 II NOT TO REPRODUCE OR COPY IT
 III NOT TO REVEAL OR PUBLISH IN WHOLE OR PART

APPLE COMPUTER INC.	SIZE	DRAWING NUMBER	REV.
	D	051-7265	16
SCALE	SHT		OF
NONE	63		101

8

7

6

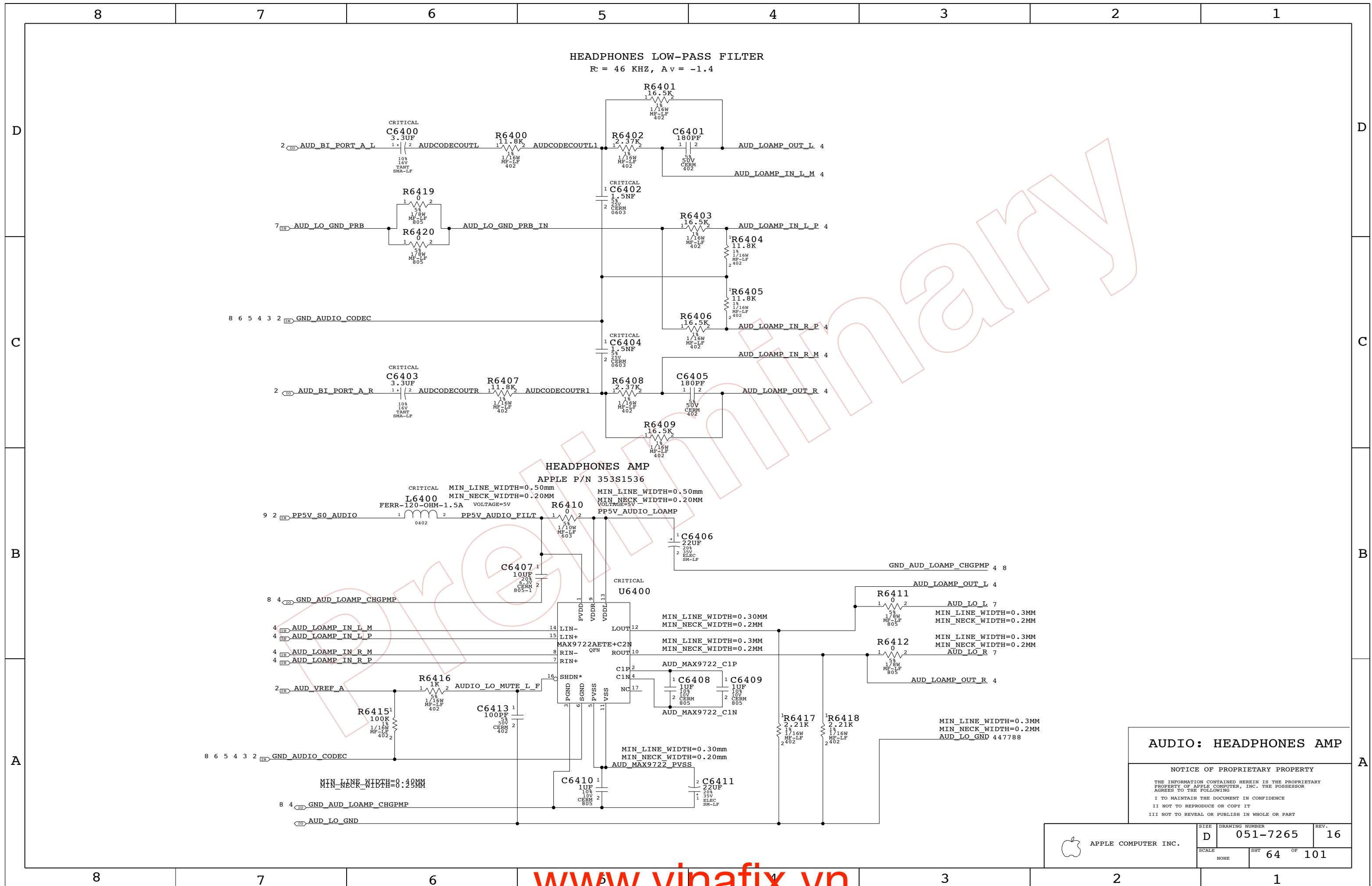
5

4

3

2

1



HEADPHONES LOW-PASS FILTER
 $F_c = 46 \text{ KHZ}, A_v = -1.4$

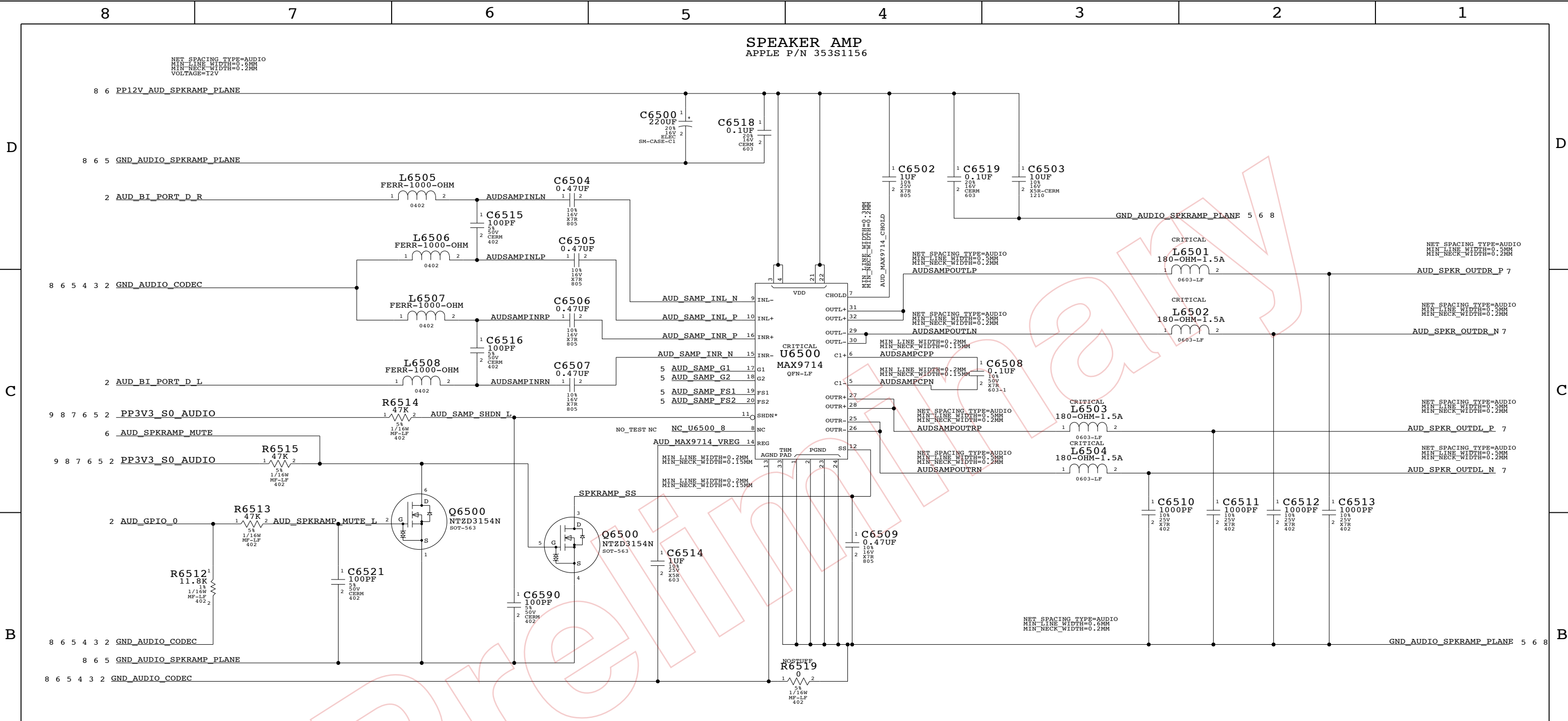
HEADPHONES AMP
 APPLE P/N 353S1536

AUDIO: HEADPHONES AMP

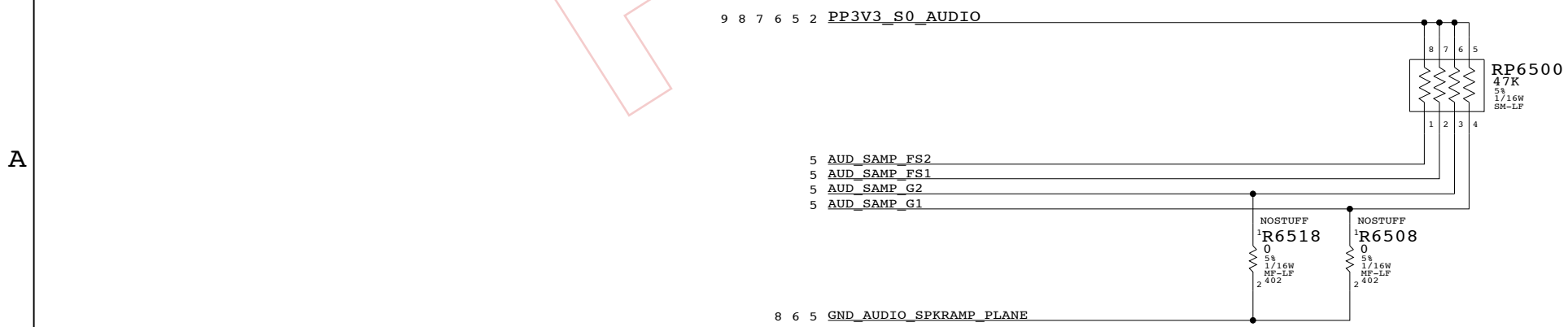
NOTICE OF PROPRIETARY PROPERTY
 THE INFORMATION CONTAINED HEREIN IS THE PROPRIETARY PROPERTY OF APPLE COMPUTER, INC. THE POSSESSOR AGREES TO THE FOLLOWING
 I TO MAINTAIN THE DOCUMENT IN CONFIDENCE
 II NOT TO REPRODUCE OR COPY IT
 III NOT TO REVEAL OR PUBLISH IN WHOLE OR PART

APPLE COMPUTER INC.	SIZE	DRAWING NUMBER	REV.
	D	051-7265	16
SCALE	SHT	OF	
NONE	64	101	

SPEAKER AMP
APPLE P/N 353S1156



GAIN SETTINGS: +16DB
MODULATION SETTING: LOW EMI
GAIN AND SWITCHING FREQUENCY STUFF OPTIONS

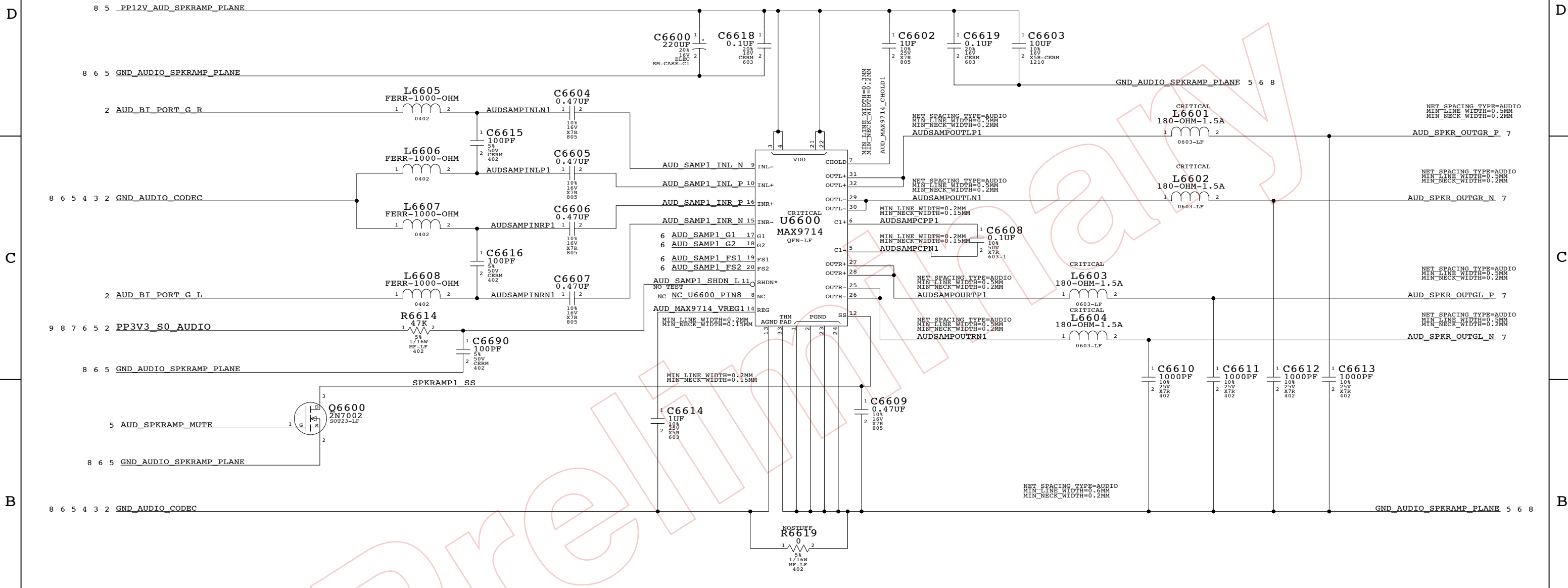


AUDIO: SPEAKER AMP_1
SYNC_MASTER=AUDIO SYNC_DATE=08/04/2006
NOTICE OF PROPRIETARY PROPERTY
THE INFORMATION CONTAINED HEREIN IS THE PROPRIETARY PROPERTY OF APPLE COMPUTER, INC. THE POSSESSOR AGREES TO THE FOLLOWING
I TO MAINTAIN THE DOCUMENT IN CONFIDENCE
II NOT TO REPRODUCE OR COPY IT
III NOT TO REVEAL OR PUBLISH IN WHOLE OR PART

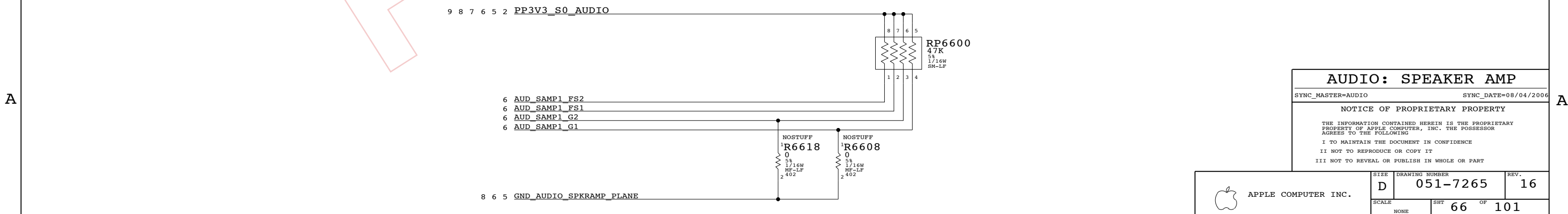
APPLE COMPUTER INC.	SIZE	DRAWING NUMBER	REV.
	D	051-7265	16
SCALE	SHT 65 OF 101		
NONE			

SPEAKER AMP
APPLE P/N 353S1156

NET SPACING TYPE=AUDIO
MIN_LINE_WIDTH=0.6MM
MIN_NECK_WIDTH=0.2MM
VOLTAGE=12V

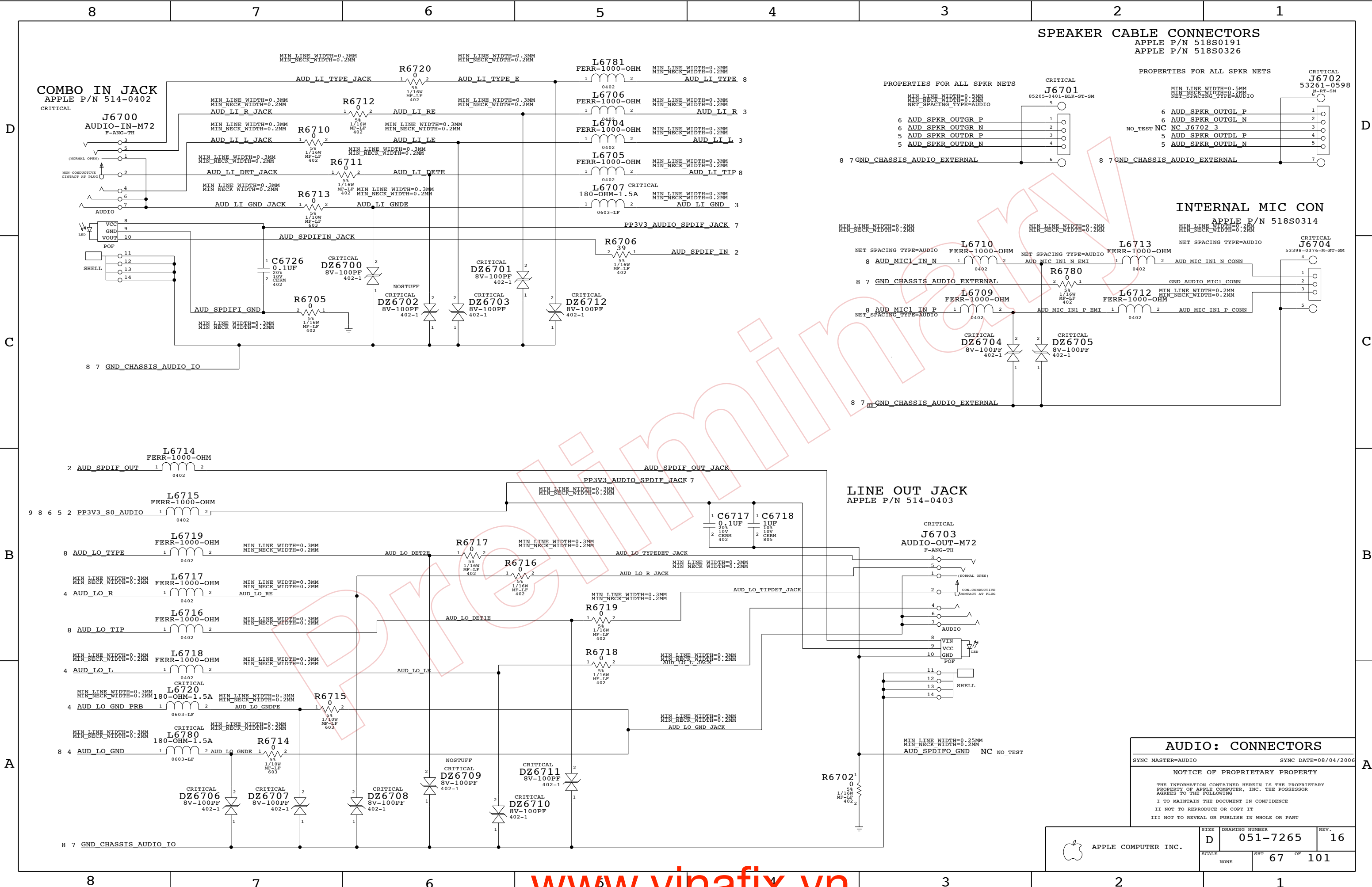


GAIN SETTINGS: +16DB
MODULATION SETTING: LOW EMI
GAIN AND SWITCHING FREQUENCY STUFF OPTIONS



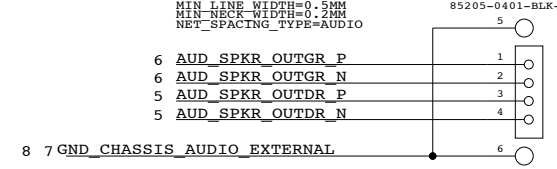
AUDIO: SPEAKER AMP
SYNC_MASTER=AUDIO SYNC_DATE=08/04/2006
NOTICE OF PROPRIETARY PROPERTY
THE INFORMATION CONTAINED HEREIN IS THE PROPRIETARY PROPERTY OF APPLE COMPUTER, INC. THE POSSESSOR AGREES TO THE FOLLOWING
I TO MAINTAIN THE DOCUMENT IN CONFIDENCE
II NOT TO REPRODUCE OR COPY IT
III NOT TO REVEAL OR PUBLISH IN WHOLE OR PART

APPLE COMPUTER INC.	SIZE	DRAWING NUMBER	REV.
	D	051-7265	16
SCALE	SHT	OF	
NONE	66	101	

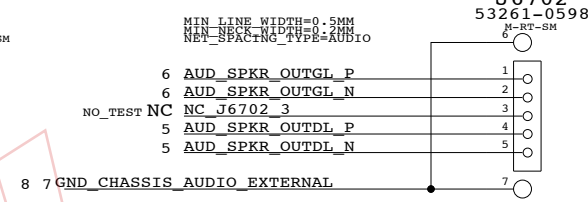


SPEAKER CABLE CONNECTORS
 APPLE P/N 518S0191
 APPLE P/N 518S0326

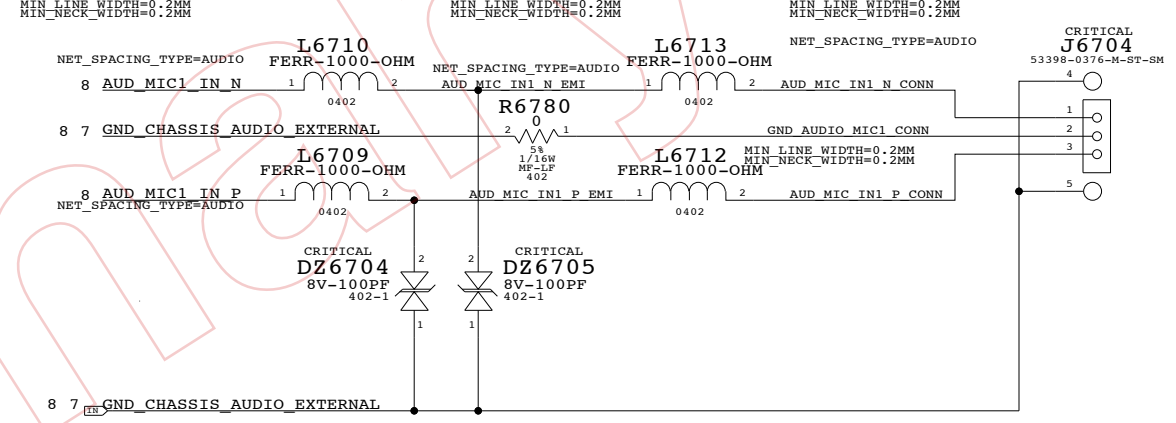
PROPERTIES FOR ALL SPKR NETS



PROPERTIES FOR ALL SPKR NETS

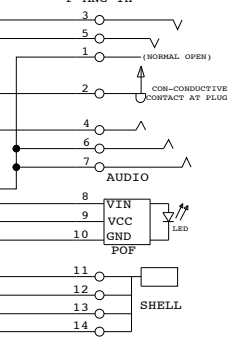


INTERNAL MIC CON
 APPLE P/N 518S0314



LINE OUT JACK
 APPLE P/N 514-0403

J6703
 AUDIO-OUT-M72
 F-ANG-TH



AUDIO: CONNECTORS

SYNC_MASTER=AUDIO SYNC_DATE=08/04/2006

NOTICE OF PROPRIETARY PROPERTY

THE INFORMATION CONTAINED HEREIN IS THE PROPRIETARY PROPERTY OF APPLE COMPUTER, INC. THE POSSESSOR AGREES TO THE FOLLOWING

I TO MAINTAIN THE DOCUMENT IN CONFIDENCE
 II NOT TO REPRODUCE OR COPY IT
 III NOT TO REVEAL OR PUBLISH IN WHOLE OR PART

APPLE COMPUTER INC.	SIZE	DRAWING NUMBER	REV.
	D	051-7265	16
SCALE	SHT	OF	
NONE	67	101	

CODEC OUTPUT SIGNAL PATHS

FUNCTION	VOLUME	DAC	PIN COMPLEX	MUTE CONTROL
HEADPHONES	0X0D	0X03	0X15 (A)	VREF A
SPKR AMP (M72/M78)	0X0C	0X02	0X14 (D)	GPIO 0
SPKR AMP (M72/M78)	0X0E	0X04	0X16 (G)	GPIO 0
SPDIFOUT		CONVERTER=0X06	PIN=0X1E	
		DETECT DELEGATE PIN	0X1BH (E)	

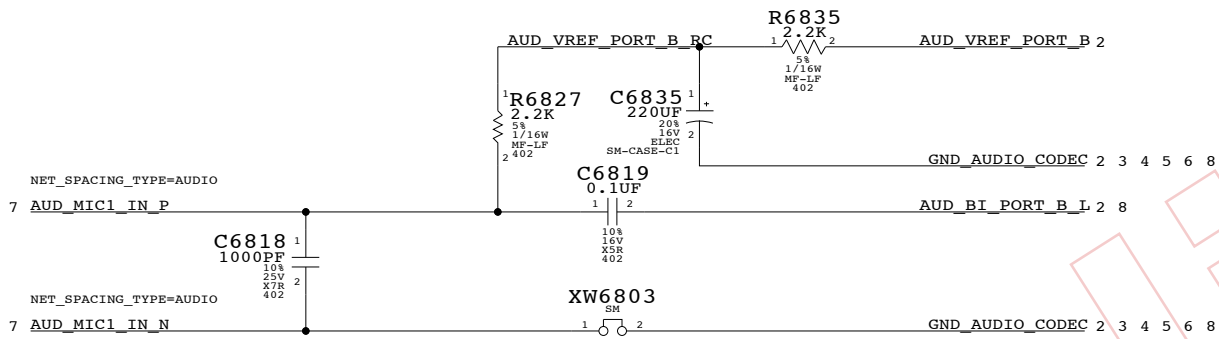
CODEC INPUT SIGNAL PATHS

FUNCTION	ADC	MIXER	PORT	VREF
MIC INPUT	0X07	0X24	0X18 (B)	80%
LINE INPUT	0X08	0X23	0X1A (C)	50%
SPDIFIN	CONVERTER=0X0A		PIN=0X1F	

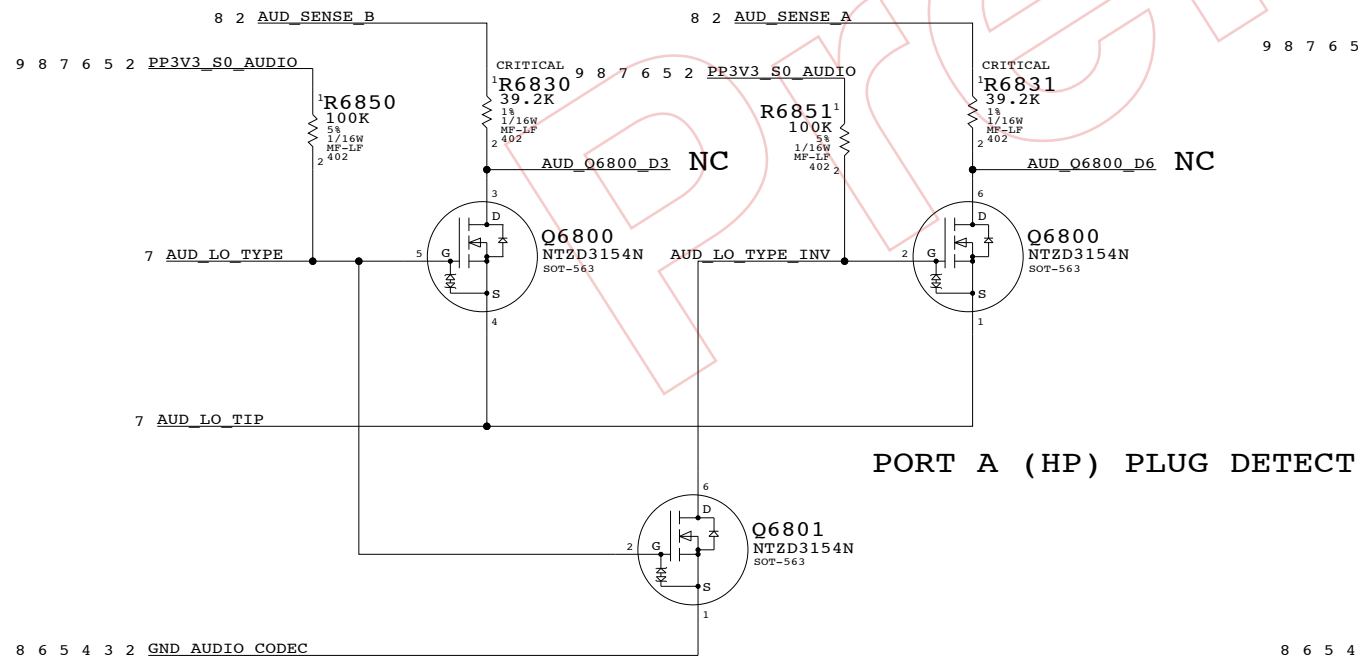
OPTIONAL RESISTOR TO COMBINE L/R SIGNALS FOR MONO MIC



MICROPHONE IMPEDANCE MATCHING CIRCUIT

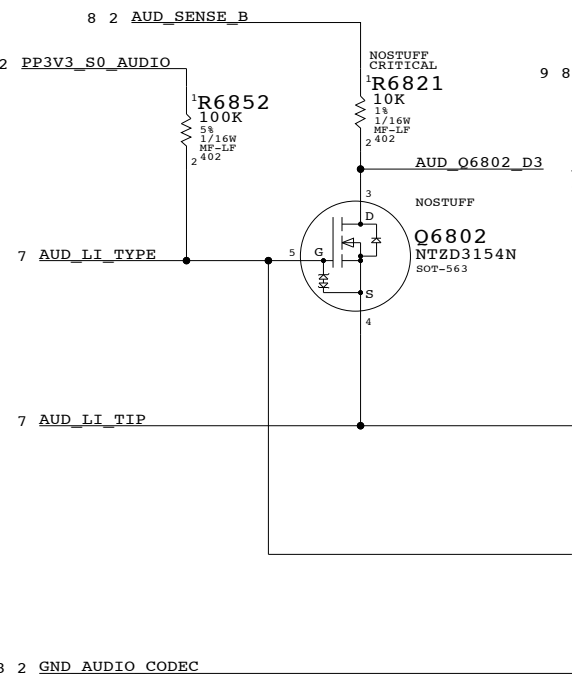


PORT A DIGITAL OUT DETECT DELEGATE

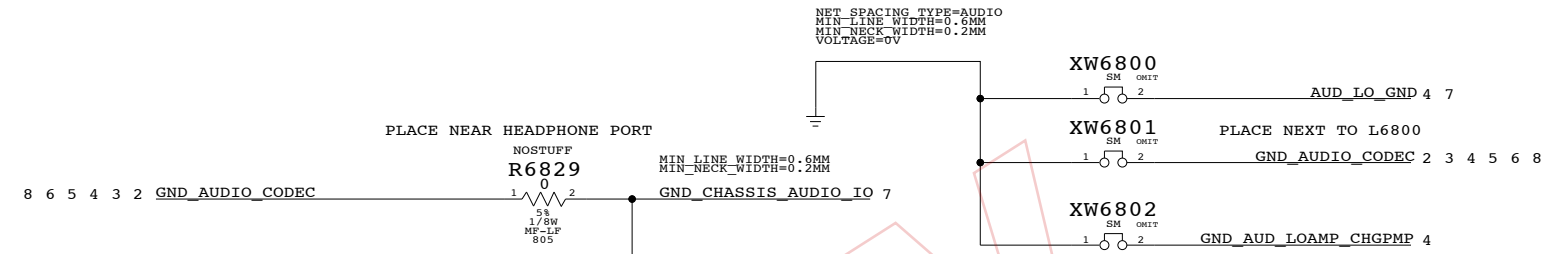


PORT A (HP) PLUG DETECT

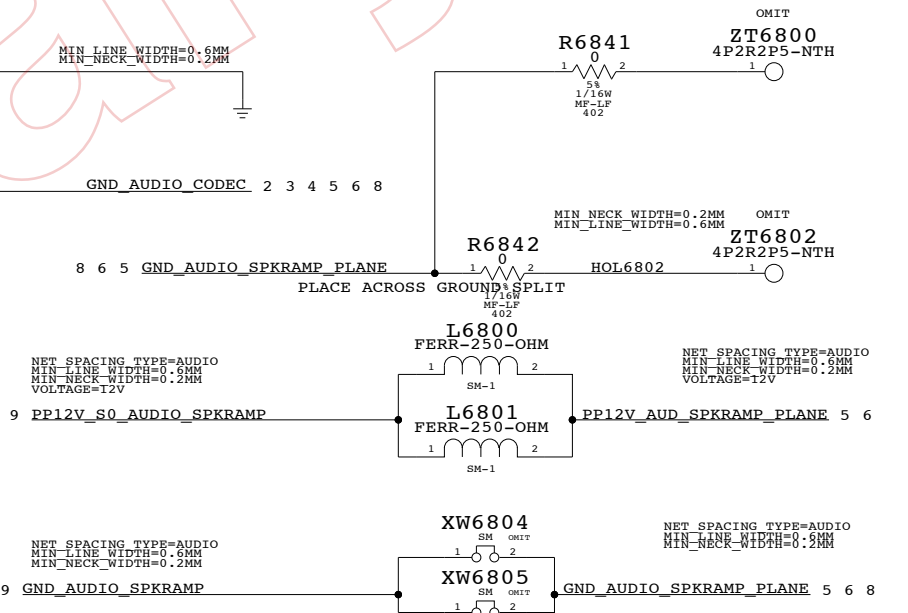
PORT G (DI) DIG DET DELEGATE



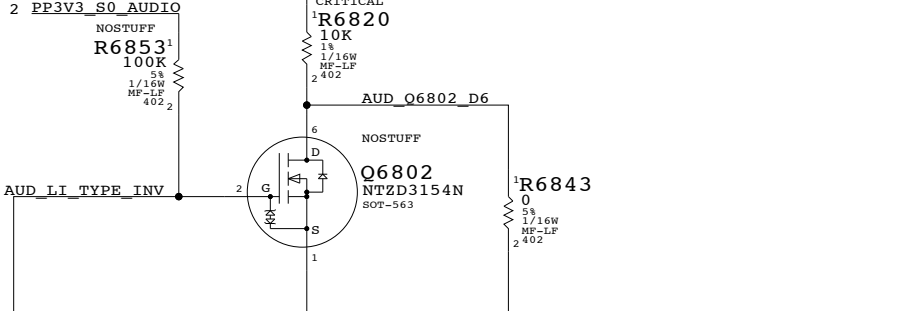
AUDIO GROUND RETURNS



AUDIO MTG HOLES



PORT C (LI) INSERT DETECT



AUDIO: POWER SUPPLIES

SYNC_MASTER=AUDIO SYNC_DATE=08/04/2006
 NOTICE OF PROPRIETARY PROPERTY
 THE INFORMATION CONTAINED HEREIN IS THE PROPRIETARY PROPERTY OF APPLE COMPUTER, INC. THE POSSESSOR AGREES TO THE FOLLOWING
 I TO MAINTAIN THE DOCUMENT IN CONFIDENCE
 II NOT TO REPRODUCE OR COPY IT
 III NOT TO REVEAL OR PUBLISH IN WHOLE OR PART

APPLE COMPUTER INC.	SIZE	DRAWING NUMBER	REV.
	D	051-7265	16
SCALE	SHT	OF	
NONE	68	101	

8

7

6

5

4

3

2

1

D

D

C

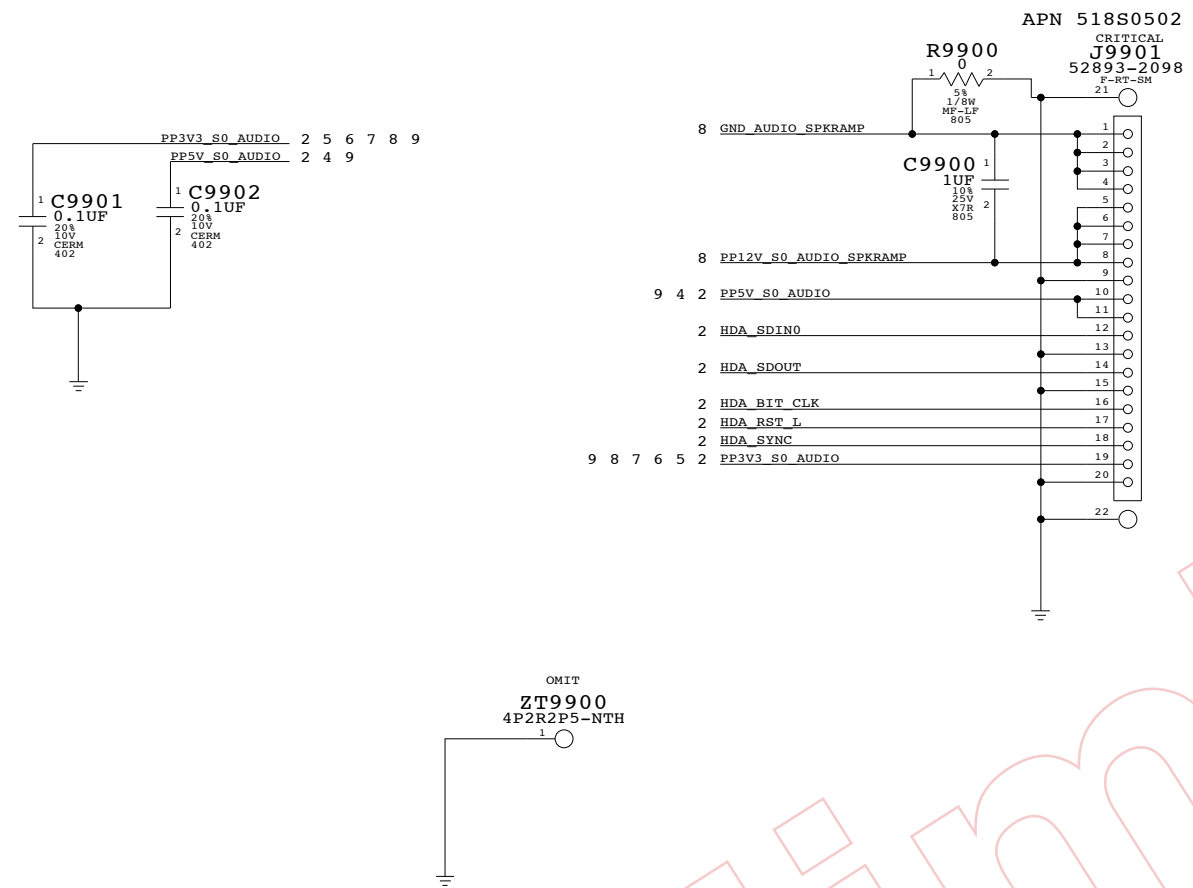
C

B

B

A


A



PART NUMBER	ALTERNATE FOR PART NUMBER	BOM OPTION	REF DES	COMMENTS:
376S0568	376S0422	ALTERNATE	06500,06800	SILICONIX DUAL FET
376S0568	376S0422	ALTERNATE	06801,06802	SILICONIX DUAL FET

Preliminary

AUDIO: MLB CONNECTOR
 SYNC_MASTER=DEREK SYNC_DATE=10/10/2006
NOTICE OF PROPRIETARY PROPERTY
 THE INFORMATION CONTAINED HEREIN IS THE PROPRIETARY PROPERTY OF APPLE COMPUTER, INC. THE POSSESSOR AGREES TO THE FOLLOWING
 I TO MAINTAIN THE DOCUMENT IN CONFIDENCE
 II NOT TO REPRODUCE OR COPY IT
 III NOT TO REVEAL OR PUBLISH IN WHOLE OR PART

 APPLE COMPUTER INC.	SIZE	DRAWING NUMBER	REV.
	D	051-7265	16
SCALE	SHT		
NONE	99 OF		101

8 7 6 5 4 3 2 1

	8	7	6	5	4	3	2	1
D	Title: Basenet Report Design: hop Date: Oct 23 12:30:13 2006 Base nets and synonyms for hop_lib.HOP(@hop_lib.hop(sch_1)) Base Signal Synonyms Location((Zone)(dir))		AUD_PSEUDO_VREF_F AUD_PSEUDO_VREF_F - @hop_lib.HOP 2B2 3A7 3C7 AUD_SAMP1_FS1 AUD_SAMP1_FS1 - @hop_lib.HOP 6A6 6C5 AUD_SAMP1_FS2 AUD_SAMP1_FS2 - @hop_lib.HOP 6A6 6C5 AUD_SAMP1_G1 AUD_SAMP1_G1 - @hop_lib.HOP 6A6 6C5 AUD_SAMP1_G2 AUD_SAMP1_G2 - @hop_lib.HOP 6A6 6C5 AUD_SAMP1_INL_N AUD_SAMP1_INL_N - @hop_lib.HOP 6C5 AUD_SAMP1_INL_P AUD_SAMP1_INL_P - @hop_lib.HOP 6C5 AUD_SAMP1_INR_N AUD_SAMP1_INR_N - @hop_lib.HOP 6C5 AUD_SAMP1_INR_P AUD_SAMP1_INR_P - @hop_lib.HOP 6C5 AUD_SAMP1_SHDN_L AUD_SAMP1_SHDN_L - @hop_lib.HOP 6C5 AUD_SAMP_FS1 AUD_SAMP_FS1 - @hop_lib.HOP 5A6 5C5 AUD_SAMP_FS2 AUD_SAMP_FS2 - @hop_lib.HOP 5A6 5C5 AUD_SAMP_G1 AUD_SAMP_G1 - @hop_lib.HOP 5A6 5C5 AUD_SAMP_G2 AUD_SAMP_G2 - @hop_lib.HOP 5A6 5C5 AUD_SAMP_INL_N AUD_SAMP_INL_N - @hop_lib.HOP 5C5 AUD_SAMP_INL_P AUD_SAMP_INL_P - @hop_lib.HOP 5C5 AUD_SAMP_INR_N AUD_SAMP_INR_N - @hop_lib.HOP 5C5 AUD_SAMP_INR_P AUD_SAMP_INR_P - @hop_lib.HOP 5C5 AUD_SAMP_SHDN_L AUD_SAMP_SHDN_L - @hop_lib.HOP 5C6 AUD_SENSE_A AUD_SENSE_A - @hop_lib.HOP 2C2 8B4 8B7 AUD_SENSE_B AUD_SENSE_B - @hop_lib.HOP 2C2 8B4 AUD_SPDIFIN_JACK AUD_SPDIFIN_JACK - @hop_lib.HOP 7D7 AUD_SPDIF_GND AUD_SPDIF_GND - @hop_lib.HOP 7A3 7D8 AUD_SPDIF_IN AUD_SPDIF_IN - @hop_lib.HOP 2C2 7D4 AUD_SPDIF_OUT AUD_SPDIF_OUT - @hop_lib.HOP 2D2 7B8 AUD_SPDIF_OUT_CHIP AUD_SPDIF_OUT_CHIP - @hop_lib.HOP 2D4 AUD_SPDIF_OUT_JACK AUD_SPDIF_OUT_JACK - @hop_lib.HOP 7B5 AUD_SPKRAMP_MUTE AUD_SPKRAMP_MUTE - @hop_lib.HOP 5C8 6B8 AUD_SPKRAMP_MUTE_L AUD_SPKRAMP_MUTE_L - @hop_lib.HOP 5B7 AUD_SPKR_OUTBL_N AUD_SPKR_OUTBL_N - @hop_lib.HOP 6C1 7D2 AUD_SPKR_OUTBL_P AUD_SPKR_OUTBL_P - @hop_lib.HOP 6C1 7D2 AUD_SPKR_OUTBR_N AUD_SPKR_OUTBR_N - @hop_lib.HOP 5C1 7C2 AUD_SPKR_OUTBR_P AUD_SPKR_OUTBR_P - @hop_lib.HOP 5C1 7C2 AUD_SPKR_OUTCL_N AUD_SPKR_OUTCL_N - @hop_lib.HOP 6C1 7D2 AUD_SPKR_OUTCL_P AUD_SPKR_OUTCL_P - @hop_lib.HOP 6C1 7D2 AUD_SPKR_OUTCR_N AUD_SPKR_OUTCR_N - @hop_lib.HOP 5C1 7C2 AUD_SPKR_OUTCR_P AUD_SPKR_OUTCR_P - @hop_lib.HOP 5C1 7C2 AUD_TYPE_DET_EM AUD_TYPE_DET_EM - @hop_lib.HOP 8B3 AUD_VREF_PORT_F AUD_VREF_PORT_F - @hop_lib.HOP 2C2 8C5 AUD_VREF_PORT_F_RC AUD_VREF_PORT_F_RC - @hop_lib.HOP 8C6 BAL_IN_COM BAL_IN_COM - @hop_lib.HOP 2C7 3B3 BAL_IN_L BAL_IN_L - @hop_lib.HOP 2C7 3D3 BAL_IN_R BAL_IN_R - @hop_lib.HOP 2C7 3C3 BEEP BEEP - @hop_lib.HOP 2C6 GND_AUDIO GND_AUDIO - @hop_lib.HOP 8D4 GND_AUDIO_CODECC GND_AUDIO_CODECC - @hop_lib.HOP 2B7 2D2 3A7 3C7 4A7 4C7 5B8 5C8 6B8 6C8 8A4 8A7 8C4 8C5 8D2 8D4		D			
	C	12V_S5_SPKRAMP 12V_S5_SPKRAMP - @hop_lib.HOP 5D7 12V_S5_SPKRAMP1 12V_S5_SPKRAMP1 - @hop_lib.HOP 6D7 =PP3V3_S0_AUDIO =PP3V3_S0_AUDIO - @hop_lib.HOP 2D7 5A6 5C8 5C8 6A6 6C8 7B8 8A4 8B4 8B7 9C4 =PP5V_S0_AUDIO =PP5V_S0_AUDIO - @hop_lib.HOP 2B7 4B7 9C4 =PP12V_S5_AUDIO_SPKRAMP =PP12V_S5_AUDIO_SPKRAMP - 5D8 6D8 9D4 @hop_lib.HOP AC2_BITCLK AC2_BITCLK - @hop_lib.HOP 2D7 9D6 AC2_RST_L AC2_RST_L - @hop_lib.HOP 2C7 9C6 AC2_RST_P AC2_RST_P - @hop_lib.HOP 2C7 9C6 AC2_SDATAIN<O> AC2_SDATAIN<O> - @hop_lib.HOP 2C7 9C6 AC2_SDATAIN_CHIP AC2_SDATAIN_CHIP - @hop_lib.HOP 2C6 AC2_SDATAOUT AC2_SDATAOUT - @hop_lib.HOP 2D7 9C6 AC2_SYNC AC2_SYNC - @hop_lib.HOP 2D7 9C6 AUDCODECOUTL AUDCODECOUTL - @hop_lib.HOP 4D6 AUDCODECOUTL1 AUDCODECOUTL1 - @hop_lib.HOP 4D5 AUDCODECOUTR AUDCODECOUTR - @hop_lib.HOP 4C6 AUDCODECOUTR1 AUDCODECOUTR1 - @hop_lib.HOP 4C5 AUDIO_LO_MUTE_L_F AUDIO_LO_MUTE_L_F - @hop_lib.HOP 4A6 AUDLINDETH AUDLINDETH - @hop_lib.HOP 8B7 AUDSAMP_CFN AUDSAMP_CFN - @hop_lib.HOP 5C4 AUDSAMP_CFN1 AUDSAMP_CFN1 - @hop_lib.HOP 6C4 AUDSAMP_CFP AUDSAMP_CFP - @hop_lib.HOP 5C4 AUDSAMP_CFP1 AUDSAMP_CFP1 - @hop_lib.HOP 6C4 AUDSAMP_INLN AUDSAMP_INLN - @hop_lib.HOP 5D6 AUDSAMP_INLN1 AUDSAMP_INLN1 - @hop_lib.HOP 6D6 AUDSAMP_INLP AUDSAMP_INLP - @hop_lib.HOP 5C6 AUDSAMP_INLP1 AUDSAMP_INLP1 - @hop_lib.HOP 6C6 AUDSAMP_INRN AUDSAMP_INRN - @hop_lib.HOP 5C6 AUDSAMP_INRN1 AUDSAMP_INRN1 - @hop_lib.HOP 6C6 AUDSAMP_INRP AUDSAMP_INRP - @hop_lib.HOP 5C6 AUDSAMP_INRP1 AUDSAMP_INRP1 - @hop_lib.HOP 6C6 AUDSAMP_POUTP AUDSAMP_POUTP - @hop_lib.HOP 5C4 AUDSAMP_POUTP1 AUDSAMP_POUTP1 - @hop_lib.HOP 6C4 AUDSAMP_POUTLN AUDSAMP_POUTLN - @hop_lib.HOP 5C4 AUDSAMP_POUTLN1 AUDSAMP_POUTLN1 - @hop_lib.HOP 6C4 AUDSAMP_POUTLP AUDSAMP_POUTLP - @hop_lib.HOP 5C4 AUDSAMP_POUTLP1 AUDSAMP_POUTLP1 - @hop_lib.HOP 6C4 AUDSAMP_POUTRN AUDSAMP_POUTRN - @hop_lib.HOP 5C4 AUDSAMP_POUTRN1 AUDSAMP_POUTRN1 - @hop_lib.HOP 6C4 AUD_BI_PORTA_L AUD_BI_PORTA_L - @hop_lib.HOP 3C3 AUD_BI_PORTA_R AUD_BI_PORTA_R - @hop_lib.HOP 3B3 AUD_BI_PORT_A_L AUD_BI_PORT_A_L - @hop_lib.HOP 2C2 3C2 AUD_BI_PORT_A_R AUD_BI_PORT_A_R - @hop_lib.HOP 2C2 3B2 AUD_BI_PORT_B_L AUD_BI_PORT_B_L - @hop_lib.HOP 2C2 6C8 AUD_BI_PORT_B_R AUD_BI_PORT_B_R - @hop_lib.HOP 2C2 5C8 AUD_BI_PORT_C_L AUD_BI_PORT_C_L - @hop_lib.HOP 2C7 6D8 AUD_BI_PORT_C_R AUD_BI_PORT_C_R - @hop_lib.HOP 2C7 5D8 AUD_BI_PORT_D_L AUD_BI_PORT_D_L - @hop_lib.HOP 2C7 4D7 AUD_BI_PORT_D_R AUD_BI_PORT_D_R - @hop_lib.HOP 2C7 4C7 AUD_BI_PORT_F_L AUD_BI_PORT_F_L - @hop_lib.HOP 2B3 2C2 8C5 AUD_BI_PORT_F_R AUD_BI_PORT_F_R - @hop_lib.HOP 2B2 2C2 AUD_GPIO_0 AUD_GPIO_0 - @hop_lib.HOP 2C7 5B8 AUD_GPIO_1 AUD_GPIO_1 - @hop_lib.HOP 2C7 4A7 AUD_LI_DET_EMI AUD_LI_DET_EMI - @hop_lib.HOP 7D6 AUD_LI_DET_H AUD_LI_DET_H - @hop_lib.HOP 7D4 8B7 AUD_LI_DET_JACK AUD_LI_DET_JACK - @hop_lib.HOP 7D7 AUD_LI_GND AUD_LI_GND - @hop_lib.HOP 3B7 3C7 7D4 AUD_LI_GNDL1 AUD_LI_GNDL1 - @hop_lib.HOP 3C5 AUD_LI_GNDR1 AUD_LI_GNDR1 - @hop_lib.HOP 3B5 AUD_LI_GND_EMI AUD_LI_GND_EMI - @hop_lib.HOP 7D6 AUD_LI_GND_JACK AUD_LI_GND_JACK - @hop_lib.HOP 7D8 AUD_LI_L AUD_LI_L - @hop_lib.HOP 3D7 7D4 AUD_LI_L1 AUD_LI_L1 - @hop_lib.HOP 3D5 AUD_LI_L2 AUD_LI_L2 - @hop_lib.HOP 3D4 AUD_LI_L_EMI AUD_LI_L_EMI - @hop_lib.HOP 7D5 AUD_LI_L_JACK AUD_LI_L_JACK - @hop_lib.HOP 7D7 AUD_LI_R AUD_LI_R - @hop_lib.HOP 3B7 7D4 AUD_LI_R1 AUD_LI_R1 - @hop_lib.HOP 3B5 AUD_LI_R2 AUD_LI_R2 - @hop_lib.HOP 3B4 AUD_LI_R_EMI AUD_LI_R_EMI - @hop_lib.HOP 7D6 AUD_LI_R_JACK AUD_LI_R_JACK - @hop_lib.HOP 7D7 AUD_LI_VREFL AUD_LI_VREFL - @hop_lib.HOP 3C4 AUD_LI_VREFR AUD_LI_VREFR - @hop_lib.HOP 3B4 AUD_LOAMP_IN_L_M AUD_LOAMP_IN_L_M - @hop_lib.HOP 4B7 4D4 AUD_LOAMP_IN_L_P AUD_LOAMP_IN_L_P - @hop_lib.HOP 4A7 4C4 AUD_LOAMP_IN_R_M AUD_LOAMP_IN_R_M - @hop_lib.HOP 4A7 4C4 AUD_LOAMP_IN_R_P AUD_LOAMP_IN_R_P - @hop_lib.HOP 4A7 4C4 AUD_LOAMP_OUT_L AUD_LOAMP_OUT_L - @hop_lib.HOP 4B3 4D4 AUD_LOAMP_OUT_R AUD_LOAMP_OUT_R - @hop_lib.HOP 4A3 4C4 AUD_LO_DET1 AUD_LO_DET1 - @hop_lib.HOP 7B8 8A4 AUD_LO_DET1_1 AUD_LO_DET1_1 - @hop_lib.HOP 8A2 8A4 AUD_LO_DET1_EMI AUD_LO_DET1_EMI - @hop_lib.HOP 7B7 AUD_LO_DET1_INV AUD_LO_DET1_INV - @hop_lib.HOP 8A3 AUD_LO_DET1_JACK AUD_LO_DET1_JACK - @hop_lib.HOP 7B4 AUD_LO_DET2 AUD_LO_DET2 - @hop_lib.HOP 7B8 8B4 AUD_LO_DET2_1 AUD_LO_DET2_1 - @hop_lib.HOP 8B4 AUD_LO_DET2_EMI AUD_LO_DET2_EMI - @hop_lib.HOP 7B7 AUD_LO_DET2_JACK AUD_LO_DET2_JACK - @hop_lib.HOP 7B4 AUD_LO_GND AUD_LO_GND - @hop_lib.HOP 4A3 4A7 7A8 8D2 AUD_LO_GND_EMI AUD_LO_GND_EMI - @hop_lib.HOP 7A7 AUD_LO_GND_JACK AUD_LO_GND_JACK - @hop_lib.HOP 7B4 AUD_LO_GND_FRB AUD_LO_GND_FRB - @hop_lib.HOP 4C7 7A8 AUD_LO_GND_FRB_IN AUD_LO_GND_FRB_IN - @hop_lib.HOP 4C6 AUD_LO_L AUD_LO_L - @hop_lib.HOP 4B3 7B8 AUD_LO_L_EMI AUD_LO_L_EMI - @hop_lib.HOP 7B7 AUD_LO_L_JACK AUD_LO_L_JACK - @hop_lib.HOP 7B4 AUD_LO_R AUD_LO_R - @hop_lib.HOP 4A3 7A8 AUD_LO_R_EMI AUD_LO_R_EMI - @hop_lib.HOP 7A7 AUD_LO_R_JACK AUD_LO_R_JACK - @hop_lib.HOP 7B4 AUD_MAX9714_CHOLD AUD_MAX9714_CHOLD - @hop_lib.HOP 5C4 AUD_MAX9714_CHOLD1 AUD_MAX9714_CHOLD1 - @hop_lib.HOP 6C4 AUD_MAX9714_VREG AUD_MAX9714_VREG - @hop_lib.HOP 5C5 AUD_MAX9714_VREG1 AUD_MAX9714_VREG1 - @hop_lib.HOP 6C5 AUD_MAX9722_C1N AUD_MAX9722_C1N - @hop_lib.HOP 4A5 AUD_MAX9722_C1P AUD_MAX9722_C1P - @hop_lib.HOP 4A5 AUD_MAX9722_PVSS AUD_MAX9722_PVSS - @hop_lib.HOP 4A5 AUD_MIC_IN_N AUD_MIC_IN_N - @hop_lib.HOP 7C6 8C8 AUD_MIC_IN_N_CONN AUD_MIC_IN_N_CONN - @hop_lib.HOP 7C4 AUD_MIC_IN_N_EMI AUD_MIC_IN_N_EMI - @hop_lib.HOP 7C5 AUD_MIC_IN_P AUD_MIC_IN_P - @hop_lib.HOP 7C6 8C8 AUD_MIC_IN_P_CONN AUD_MIC_IN_P_CONN - @hop_lib.HOP 7C4 AUD_MIC_IN_P_EMI AUD_MIC_IN_P_EMI - @hop_lib.HOP 7C5 AUD_MIC_P1 AUD_MIC_P1 - @hop_lib.HOP 8C7 AUD_PORT_A_DET_L AUD_PORT_A_DET_L - @hop_lib.HOP 8B6 AUD_PORT_D_DET_L AUD_PORT_D_DET_L - @hop_lib.HOP 8B2 AUD_PORT_G_DET_L AUD_PORT_G_DET_L - @hop_lib.HOP 8B1 AUD_PSEUDO_VREF AUD_PSEUDO_VREF - @hop_lib.HOP 2B3 2C2		C				
B		GND_AUDIO_CODECC1 GND_AUDIO_CODECC1 - @hop_lib.HOP 7A7 GND_AUDIO_MIC_CONN GND_AUDIO_MIC_CONN - @hop_lib.HOP 7C4 GND_AUDIO_SPKRAMP GND_AUDIO_SPKRAMP - @hop_lib.HOP 5B1 6B1 9C4 GND_AUDIO_SPKRAMP1_P GND_AUDIO_SPKRAMP1_PLANE - 6A6 6B2 6B8 6D2 6D8 @hop_lib.HOP GND_AUDIO_SPKRAMP_PL GND_AUDIO_SPKRAMP_PLANE - 5A6 5B2 5B8 5D2 5D8 @hop_lib.HOP GND_AUD_LOAMP_CHGMP GND_AUD_LOAMP_CHGMP - @hop_lib.HOP 4A7 4B3 4B7 8D2 GND_CHASSIS_AUDIO_EX GND_CHASSIS_AUDIO_EXTERNAL - 7A8 7C8 8C4 8D2 @hop_lib.HOP GND_CHASSIS_AUDIO_IN GND_CHASSIS_AUDIO_INTERNAL - 7C6 @hop_lib.HOP JDREF JDREF - @hop_lib.HOP 2B4 NC_AUD_BI_PORT_E_L NC_AUD_BI_PORT_E_L - @hop_lib.HOP 2C2 NC_AUD_BI_PORT_E_R NC_AUD_BI_PORT_E_R - @hop_lib.HOP 2C2 NC_AUD_BI_PORT_G_L NC_AUD_BI_PORT_G_L - @hop_lib.HOP 2C2 NC_AUD_BI_PORT_G_R NC_AUD_BI_PORT_G_R - @hop_lib.HOP 2C2 NC_AUD_BI_PORT_H_L NC_AUD_BI_PORT_H_L - @hop_lib.HOP 2C2 NC_AUD_BI_PORT_H_R NC_AUD_BI_PORT_H_R - @hop_lib.HOP 2C2 NC_AUD_LI_TYPE_JACK NC_AUD_LI_TYPE_JACK - @hop_lib.HOP 7D7 NC_AUD_VREF_PORT_B NC_AUD_VREF_PORT_B - @hop_lib.HOP 2C2 NC_AUD_VREF_PORT_C NC_AUD_VREF_PORT_C - @hop_lib.HOP 2C2 NC_AUD_VREF_PORT_D NC_AUD_VREF_PORT_D - @hop_lib.HOP 2C2 NC_AUD_VREF_PORT_E NC_AUD_VREF_PORT_E - @hop_lib.HOP 2C2 NC_J7302_3 NC_J7302_3 - @hop_lib.HOP 7C2 NC_VRP NC_VRP - @hop_lib.HOP 2B4 PP3V3_AUDIO_SPDIF_EM PP3V3_AUDIO_SPDIF_EMI - 7B7 @hop_lib.HOP PP3V3_AUDIO_SPDIF_JA PP3V3_AUDIO_SPDIF_JACK - 7B5 7D8 @hop_lib.HOP PP4V5_AUDIO_ANALOG PP4V5_AUDIO_ANALOG - @hop_lib.HOP 2B3 2D2 3B7 3D7 PP5V_AUDIO_FILT PP5V_AUDIO_FILT - @hop_lib.HOP 4B6 PP5V_AUDIO_LOAMP PP5V_AUDIO_LOAMP - @hop_lib.HOP 4B5 PP12V_AUD_SPKRAMP1_P PP12V_AUD_SPKRAMP1_PLANE - 6D5 @hop_lib.HOP PP12V_AUD_SPKRAMP_PL PP12V_AUD_SPKRAMP_PLANE - 5D5 @hop_lib.HOP PPV_3V3_DVDD PPV_3V3_DVDD - @hop_lib.HOP 2D6 PPV_3V3_DVDD_IO PPV_3V3_DVDD_IO - @hop_lib.HOP 2D6 SPKRAMP_SS SPKRAMP_SS - @hop_lib.HOP 6B6 SPKRAMP_SS SPKRAMP_SS - @hop_lib.HOP 5B6 VREF VREF - @hop_lib.HOP 2C4			B			
	A	12V_S5_SPKRAMP 12V_S5_SPKRAMP - @hop_lib.HOP 5D7 12V_S5_SPKRAMP1 12V_S5_SPKRAMP1 - @hop_lib.HOP 6D7 =PP3V3_S0_AUDIO =PP3V3_S0_AUDIO - @hop_lib.HOP 2D7 5A6 5C8 5C8 6A6 6C8 7B8 8A4 8B4 8B7 9C4 =PP5V_S0_AUDIO =PP5V_S0_AUDIO - @hop_lib.HOP 2B7 4B7 9C4 =PP12V_S5_AUDIO_SPKRAMP =PP12V_S5_AUDIO_SPKRAMP - 5D8 6D8 9D4 @hop_lib.HOP AC2_BITCLK AC2_BITCLK - @hop_lib.HOP 2D7 9D6 AC2_RST_L AC2_RST_L - @hop_lib.HOP 2C7 9C6 AC2_RST_P AC2_RST_P - @hop_lib.HOP 2C7 9C6 AC2_SDATAIN<O> AC2_SDATAIN<O> - @hop_lib.HOP 2C7 9C6 AC2_SDATAIN_CHIP AC2_SDATAIN_CHIP - @hop_lib.HOP 2C6 AC2_SDATAOUT AC2_SDATAOUT - @hop_lib.HOP 2D7 9C6 AC2_SYNC AC2_SYNC - @hop_lib.HOP 2D7 9C6 AUDCODECOUTL AUDCODECOUTL - @hop_lib.HOP 4D6 AUDCODECOUTL1 AUDCODECOUTL1 - @hop_lib.HOP 4D5 AUDCODECOUTR AUDCODECOUTR - @hop_lib.HOP 4C6 AUDCODECOUTR1 AUDCODECOUTR1 - @hop_lib.HOP 4C5 AUDIO_LO_MUTE_L_F AUDIO_LO_MUTE_L_F - @hop_lib.HOP 4A6 AUDLINDETH AUDLINDETH - @hop_lib.HOP 8B7 AUDSAMP_CFN AUDSAMP_CFN - @hop_lib.HOP 5C4 AUDSAMP_CFN1 AUDSAMP_CFN1 - @hop_lib.HOP 6C4 AUDSAMP_CFP AUDSAMP_CFP - @hop_lib.HOP 5C4 AUDSAMP_CFP1 AUDSAMP_CFP1 - @hop_lib.HOP 6C4 AUDSAMP_INLN AUDSAMP_INLN - @hop_lib.HOP 5D6 AUDSAMP_INLN1 AUDSAMP_INLN1 - @hop_lib.HOP 6D6 AUDSAMP_INLP AUDSAMP_INLP - @hop_lib.HOP 5C6 AUDSAMP_INLP1 AUDSAMP_INLP1 - @hop_lib.HOP 6C6 AUDSAMP_INRN AUDSAMP_INRN - @hop_lib.HOP 5C6 AUDSAMP_INRN1 AUDSAMP_INRN1 - @hop_lib.HOP 6C6 AUDSAMP_INRP AUDSAMP_INRP - @hop_lib.HOP 5C6 AUDSAMP_INRP1 AUDSAMP_INRP1 - @hop_lib.HOP 6C6 AUDSAMP_POUTP AUDSAMP_POUTP - @hop_lib.HOP 5C4 AUDSAMP_POUTP1 AUDSAMP_POUTP1 - @hop_lib.HOP 6C4 AUDSAMP_POUTLN AUDSAMP_POUTLN - @hop_lib.HOP 5C4 AUDSAMP_POUTLN1 AUDSAMP_POUTLN1 - @hop_lib.HOP 6C4 AUDSAMP_POUTLP AUDSAMP_POUTLP - @hop_lib.HOP 5C4 AUDSAMP_POUTLP1 AUDSAMP_POUTLP1 - @hop_lib.HOP 6C4 AUDSAMP_POUTRN AUDSAMP_POUTRN - @hop_lib.HOP 5C4 AUDSAMP_POUTRN1 AUDSAMP_POUTRN1 - @hop_lib.HOP 6C4 AUD_BI_PORTA_L AUD_BI_PORTA_L - @hop_lib.HOP 3C3 AUD_BI_PORTA_R AUD_BI_PORTA_R - @hop_lib.HOP 3B3 AUD_BI_PORT_A_L AUD_BI_PORT_A_L - @hop_lib.HOP 2C2 3C2 AUD_BI_PORT_A_R AUD_BI_PORT_A_R - @hop_lib.HOP 2C2 3B2 AUD_BI_PORT_B_L AUD_BI_PORT_B_L - @hop_lib.HOP 2C2 6C8 AUD_BI_PORT_B_R AUD_BI_PORT_B_R - @hop_lib.HOP 2C2 5C8 AUD_BI_PORT_C_L AUD_BI_PORT_C_L - @hop_lib.HOP 2C7 6D8 AUD_BI_PORT_C_R AUD_BI_PORT_C_R - @hop_lib.HOP 2C7 5D8 AUD_BI_PORT_D_L AUD_BI_PORT_D_L - @hop_lib.HOP 2C7 4D7 AUD_BI_PORT_D_R AUD_BI_PORT_D_R - @hop_lib.HOP 2C7 4C7 AUD_BI_PORT_F_L AUD_BI_PORT_F_L - @hop_lib.HOP 2B3 2C2 8C5 AUD_BI_PORT_F_R AUD_BI_PORT_F_R - @hop_lib.HOP 2B2 2C2 AUD_GPIO_0 AUD_GPIO_0 - @hop_lib.HOP 2C7 5B8 AUD_GPIO_1 AUD_GPIO_1 - @hop_lib.HOP 2C7 4A7 AUD_LI_DET_EMI AUD_LI_DET_EMI - @hop_lib.HOP 7D6 AUD_LI_DET_H AUD_LI_DET_H - @hop_lib.HOP 7D4 8B7 AUD_LI_DET_JACK AUD_LI_DET_JACK - @hop_lib.HOP 7D7 AUD_LI_GND AUD_LI_GND - @hop_lib.HOP 3B7 3C7 7D4 AUD_LI_GNDL1 AUD_LI_GNDL1 - @hop_lib.HOP 3C5 AUD_LI_GNDR1 AUD_LI_GNDR1 - @hop_lib.HOP 3B5 AUD_LI_GND_EMI AUD_LI_GND_EMI - @hop_lib.HOP 7D6 AUD_LI_GND_JACK AUD_LI_GND_JACK - @hop_lib.HOP 7D8 AUD_LI_L AUD_LI_L - @hop_lib.HOP 3D7 7D4 AUD_LI_L1 AUD_LI_L1 - @hop_lib.HOP 3D5 AUD_LI_L2 AUD_LI_L2 - @hop_lib.HOP 3D4 AUD_LI_L_EMI AUD_LI_L_EMI - @hop_lib.HOP 7D5 AUD_LI_L_JACK AUD_LI_L_JACK - @hop_lib.HOP 7D7 AUD_LI_R AUD_LI_R - @hop_lib.HOP 3B7 7D4 AUD_LI_R1 AUD_LI_R1 - @hop_lib.HOP 3B5 AUD_LI_R2 AUD_LI_R2 - @hop_lib.HOP 3B4 AUD_LI_R_EMI AUD_LI_R_EMI - @hop_lib.HOP 7D6 AUD_LI_R_JACK AUD_LI_R_JACK - @hop_lib.HOP 7D7 AUD_LI_VREFL AUD_LI_VREFL - @hop_lib.HOP 3C4 AUD_LI_VREFR AUD_LI_VREFR - @hop_lib.HOP 3B4 AUD_LOAMP_IN_L_M AUD_LOAMP_IN_L_M - @hop_lib.HOP 4B7 4D4 AUD_LOAMP_IN_L_P AUD_LOAMP_IN_L_P - @hop_lib.HOP 4A7 4C4 AUD_LOAMP_IN_R_M AUD_LOAMP_IN_R_M - @hop_lib.HOP 4A7 4C4 AUD_LOAMP_IN_R_P AUD_LOAMP_IN_R_P - @hop_lib.HOP 4A7 4C4 AUD_LOAMP_OUT_L AUD_LOAMP_OUT_L - @hop_lib.HOP 4B3 4D4 AUD_LOAMP_OUT_R AUD_LOAMP_OUT_R - @hop_lib.HOP 4A3 4C4 AUD_LO_DET1 AUD_LO_DET1 - @hop_lib.HOP 7B8 8A4 AUD_LO_DET1_1 AUD_LO_DET1_1 - @hop_lib.HOP 8A2 8A4 AUD_LO_DET1_EMI AUD_LO_DET1_EMI - @hop_lib.HOP 7B7 AUD_LO_DET1_INV AUD_LO_DET1_INV - @hop_lib.HOP 8A3 AUD_LO_DET1_JACK AUD_LO_DET1_JACK - @hop_lib.HOP 7B4 AUD_LO_DET2 AUD_LO_DET2 - @hop_lib.HOP 7B8 8B4 AUD_LO_DET2_1 AUD_LO_DET2_1 - @hop_lib.HOP 8B4 AUD_LO_DET2_EMI AUD_LO_DET2_EMI - @hop_lib.HOP 7B7 AUD_LO_DET2_JACK AUD_LO_DET2_JACK - @hop_lib.HOP 7B4 AUD_LO_GND AUD_LO_GND - @hop_lib.HOP 4A3 4A7 7A8 8D2 AUD_LO_GND_EMI AUD_LO_GND_EMI - @hop_lib.HOP 7A7 AUD_LO_GND_JACK AUD_LO_GND_JACK - @hop_lib.HOP 7B4 AUD_LO_GND_FRB AUD_LO_GND_FRB - @hop_lib.HOP 4C7 7A8 AUD_LO_GND_FRB_IN AUD_LO_GND_FRB_IN - @hop_lib.HOP 4C6 AUD_LO_L AUD_LO_L - @hop_lib.HOP 4B3 7B8 AUD_LO_L_EMI AUD_LO_L_EMI - @hop_lib.HOP 7B7 AUD_LO_L_JACK AUD_LO_L_JACK - @hop_lib.HOP 7B4 AUD_LO_R AUD_LO_R - @hop_lib.HOP 4A3 7A8 AUD_LO_R_EMI AUD_LO_R_EMI - @hop_lib.HOP 7A7 AUD_LO_R_JACK AUD_LO_R_JACK - @hop_lib.HOP 7B4 AUD_MAX9714_CHOLD AUD_MAX9714_CHOLD - @hop_lib.HOP 5C4 AUD_MAX9714_CHOLD1 AUD_MAX9714_CHOLD1 - @hop_lib.HOP 6C4 AUD_MAX9714_VREG AUD_MAX9714_VREG - @hop_lib.HOP 5C5 AUD_MAX9714_VREG1 AUD_MAX9714_VREG1 - @hop_lib.HOP 6C5 AUD_MAX9722_C1N AUD_MAX9722_C1N - @hop_lib.HOP 4A5 AUD_MAX9722_C1P AUD_MAX9722_C1P - @hop_lib.HOP 4A5 AUD_MAX9722_PVSS AUD_MAX9722_PVSS - @hop_lib.HOP 4A5 AUD_MIC_IN_N AUD_MIC_IN_N - @hop_lib.HOP 7C6 8C8 AUD_MIC_IN_N_CONN AUD_MIC_IN_N_CONN - @hop_lib.HOP 7C4 AUD_MIC_IN_N_EMI AUD_MIC_IN_N_EMI - @hop_lib.HOP 7C5 AUD_MIC_IN_P AUD_MIC_IN_P - @hop_lib.HOP 7C6 8C8 AUD_MIC_IN_P_CONN AUD_MIC_IN_P_CONN - @hop_lib.HOP 7C4 AUD_MIC_IN_P_EMI AUD_MIC_IN_P_EMI - @hop_lib.HOP 7C5 AUD_MIC_P1 AUD_MIC_P1 - @hop_lib.HOP 8C7 AUD_PORT_A_DET_L AUD_PORT_A_DET_L - @hop_lib.HOP 8B6 AUD_PORT_D_DET_L AUD_PORT_D_DET_L - @hop_lib.HOP 8B2 AUD_PORT_G_DET_L AUD_PORT_G_DET_L - @hop_lib.HOP 8B1 AUD_PSEUDO_VREF AUD_PSEUDO_VREF - @hop_lib.HOP 2B3 2C2		A				

	8	7	6	5	4	3	2	1
D	Title: Cref Part Report		SM		R6827 RES_402 hop[8C6]			
	Design: hop		L6200 IND_0402 hop[2B5]		R6829 RES_805 hop[8D3]			
	Date: Oct 23 12:30:13 2006		L6201 IND_0402 hop[2D6]		R6830 RES_402 hop[8B1]			
	C6200 CAP_805 hop[2D6]		L6202 IND_0402 hop[2D6]		R6831 RES_402 hop[8B2]			
	C6201 CAP_402 hop[2D6]		L6400 IND_0402 hop[4B6]		R6835 RES_402 hop[8C5]			
	C6202 CAP_P_SM-CASE-C1 hop[2D4]		L6500 IND_SM-1 hop[5D6]		RP6500 RPAK4F_SM-LF hop[5A4]			
	C6203 CAP_P_SM-CASE-C1 hop[2D3]		L6501 IND_0603-LF hop[5C2]		RP6600 RPAK4F_SM-LF hop[6A4]			
	C6204 CAP_402 hop[2D6]		L6502 IND_0603-LF hop[5C2]		U6200 AUDIO_ALC885B2_QFN_Q hop[2D5]			
	C6205 CAP_P_SMA-LF hop[2B4]		L6503 IND_0603-LF hop[5C3]		FW			
	C6210 CAP_P_SMA-LF hop[2B3]		L6504 IND_0603-LF hop[5C3]		U6300 OPAMP_MAX4477_UMAX hop[3B4 3C4]			
C	C6211 CAP_P_SM-CASE-C1 hop[2B2]		L6505 IND_0603 hop[5D6]		U6400 MAX9722_QFN hop[4B5]			
	C6212 CAP_402 hop[2B4]		L6506 IND_0603 hop[5C6]		U6500 MAX9714_QFN-LF hop[5C5]			
	C6221 CAP_402 hop[2C6]		L6507 IND_0603 hop[5C6]		U6600 MAX9714_QFN-LF hop[6C5]			
	C6230 CAP_805-1 hop[3D5]		L6508 IND_0603 hop[5C6]		XW6501 SHORT_SM hop[5B2]			
	C6301 CAP_805-1 hop[3C5]		L6522 IND_SM-1 hop[5D6]		XW6502 SHORT_SM hop[5B2]			
	C6302 CAP_402 hop[3C5]		L6600 IND_SM-1 hop[6D6]		XW6601 SHORT_SM hop[6B2]			
	C6304 CAP_805-1 hop[3B5]		L6601 IND_0603-LF hop[6C2]		XW6602 SHORT_SM hop[6B2]			
	C6305 CAP_805-1 hop[3B5]		L6602 IND_0603-LF hop[6C2]		XW6700 SHORT_SM hop[7C5]			
	C6306 CAP_805-1 hop[3C2]		L6603 IND_0603-LF hop[6C3]		XW6800 SHORT_SM hop[8D3]			
	C6307 CAP_805-1 hop[3B2]		L6604 IND_0603-LF hop[6C3]		XW6801 SHORT_SM hop[8D3]			
B	C6400 CAP_P_4X5.5-SM hop[4D6]		L6605 IND_0603 hop[6D6]		XW6802 SHORT_SM hop[8D3]			
	C6401 CAP_402 hop[4D4]		L6606 IND_0603 hop[6C6]		XW6803 SHORT_SM hop[8C6]			
	C6402 CAP_0603 hop[4D5]		L6607 IND_0603 hop[6C6]					
	C6403 CAP_P_4X5.5-SM hop[4C6]		L6608 IND_0603 hop[6C6]					
	C6404 CAP_0603 hop[4C5]		L6622 IND_SM-1 hop[6D6]					
	C6405 CAP_402 hop[4C4]		L6700 IND_0603-LF hop[7D6]					
	C6406 CAP_P_6.3X5.5-SM hop[4B5]		L6701 IND_0603-LF hop[7D6]					
	C6407 CAP_805-1 hop[4B5]		L6702 IND_0603-LF hop[7D6]					
	C6408 CAP_805 hop[4A5]		L6703 IND_0603-LF hop[7D6]					
	C6409 CAP_805 hop[4A4]		L6704 IND_0603-LF hop[7D5]					
A	C6410 CAP_805 hop[4A5]		L6705 IND_0603-LF hop[7D5]					
	C6411 CAP_P_SM-LF hop[4A4]		L6706 IND_0603-LF hop[7D5]					
	C6412 CAP_402 hop[4A6]		L6707 IND_0603-LF hop[7D5]					
	C6413 CAP_402 hop[4A5]		L6709 IND_0603-LF hop[7C6]					
	C6500 CAP_P_10X10-SM hop[5D5]		L6710 IND_0603-LF hop[7C6]					
	C6501 CAP_1210 hop[5D5]		L6712 IND_0603-LF hop[7C4]					
	C6502 CAP_805 hop[5D4]		L6713 IND_0603-LF hop[7C4]					
	C6503 CAP_1210 hop[5D3]		L6714 IND_0603-LF hop[7B7]					
	C6504 CAP_805 hop[5D6]		L6715 IND_0603-LF hop[7B7]					
	C6505 CAP_805 hop[5C6]		L6716 IND_0603 hop[7B7]					

