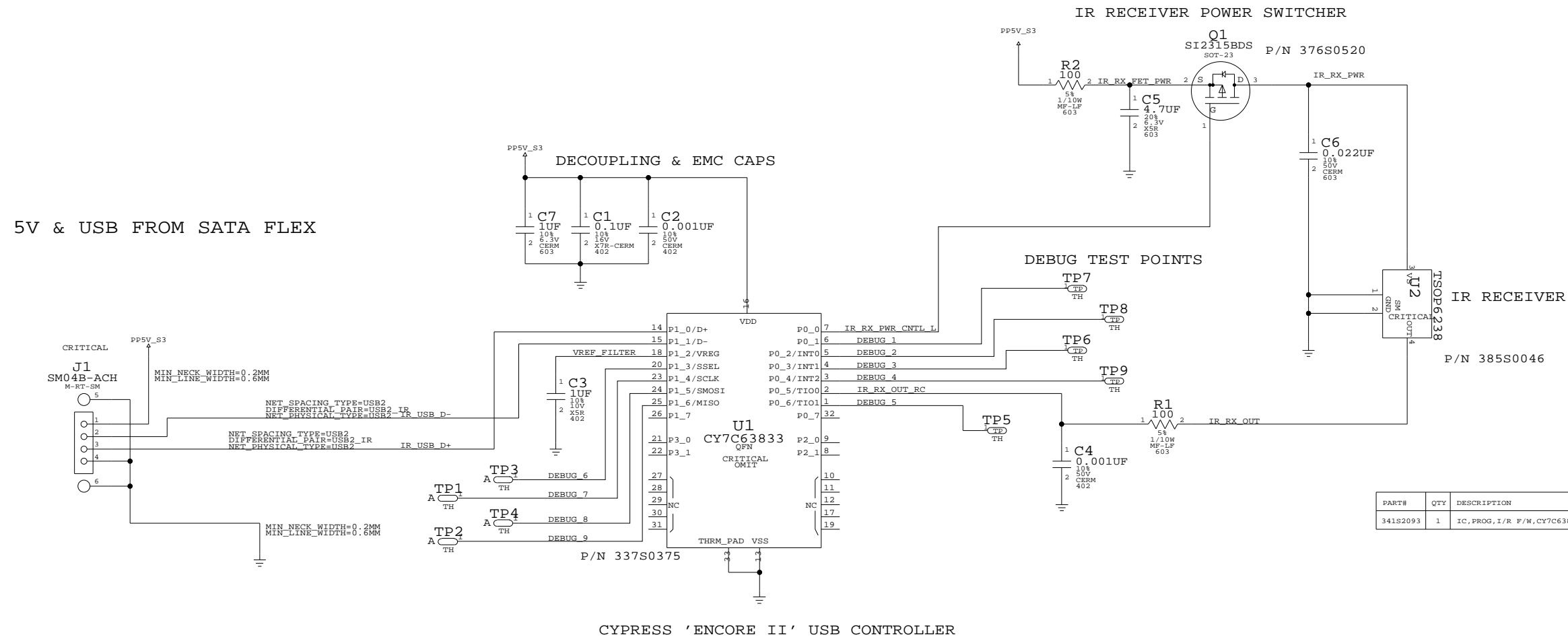


SCHEM, IRB, M75

REV	ZONE	ECN	DESCRIPTION OF CHANGE	CK APPD	ENG APPD
?		?	?	DATE	DATE

1. ALL RESISTANCE VALUES ARE IN OHMS, 0.1 WATT +/- 5%.
2. ALL CAPACITANCE VALUES ARE IN MICROFARADS.
3. ALL CRYSTALS & OSCILLATOR VALUES ARE IN HERTZ.



REVISION HISTORY

DATE	DESIGNER	DESCRIPTION
11/29/06	NMARTIN	PROTO VERSION - INTEGRATED FROM M1, M70, AND M58 IR DESIGNS
11/30/06	NMARTIN	PROTO VERSION - CHANGED LOCATION OF C5, ADDED CAPS FOR FILTERING, CHANGED POWER CONTROL TO P2-0
12/08/06	NMARTIN	PROTO VERSION - CHANGED POWER CONTROL TO P0-0, SHIFTED DEBUG PINS

PART#	QTY	DESCRIPTION	REFERENCE DESIGNATOR(S)	CRITICAL	BOM OPTION
051-7287	1	SCHEM, IRB, M75	SCH	CRITICAL	
820-2155	1	PCBF, IRB, M75	PCB	CRITICAL	
630-8082	1	PCBA, IRB, M75	BOM		OMIT
000-0041	1	PLACEHOLDER FOR EEE/CCC INFO	[EEE:XPQ]	CRITICAL	

DIMENSIONS ARE IN MILLIMETERS

XX : _____
 X.XX : _____
 X.XXX : _____
 ANGLES : _____

DO NOT SCALE DRAWING



THIRD ANGLE PROJECTION

METRIC

DRAPTR	DESIGN CK		
ENG APPD	MFG APPD		
QA APPD	DESIGNER		
RELEASE	SCALE	NONE	
MATERIAL/FINISH NOTED AS APPLICABLE		SIZE	D

Apple Computer Inc.

NOTICE OF PROPRIETARY PROPERTY
 THE INFORMATION CONTAINED HEREIN IS THE PROPRIETARY PROPERTY OF APPLE COMPUTER, INC. THE POSSESSOR AGREES TO THE FOLLOWING
 I TO MAINTAIN THE DOCUMENT IN CONFIDENCE
 II NOT TO REPRODUCE OR COPY IT
 III NOT TO REVEAL OR PUBLISH IN WHOLE OR PART

M75 IR BOARD

DRAWING NUMBER 051-7287 REV. 00