

8

7

6

5

4

3

2

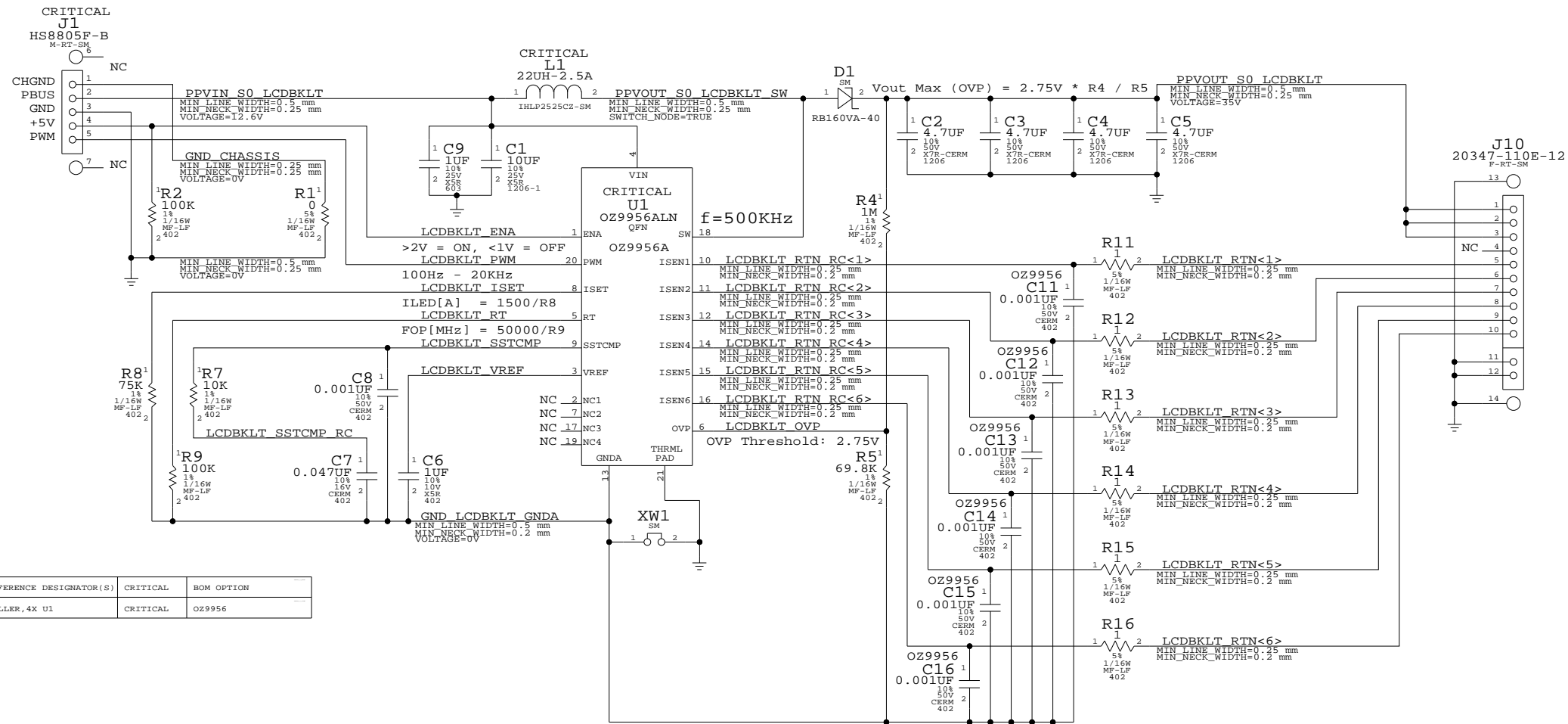
1

- 1. ALL RESISTANCE VALUES ARE IN OHMS, 0.1 WATT +/- 5%.
- 2. ALL CAPACITANCE VALUES ARE IN MICROFARADS.
- 3. ALL CRYSTALS & OSCILLATOR VALUES ARE IN HERTZ.

# SCHEM, LED BOARD MPB 15"

04/19/2007

REV	ZONE	ECN	DESCRIPTION OF CHANGE	CK APPD	ENG APPD
?		?	?		
				DATE	DATE
				?	?



PART#	QTY	DESCRIPTION	REFERENCE DESIGNATOR(S)	CRITICAL	BOM OPTION
353S1656	1	OZ9956, WHITE LED BACKLIGHT CONTROLLER, 4X U1		CRITICAL	OZ9956

PART NUMBER	QTY	DESCRIPTION	REFERENCE DES	CRITICAL	BOM OPTION
051-7271	1	SCHEM, DOH-RUN, M75	SCH1	CRITICAL	
820-2142	1	PCBF, DOH-RUN, M75	PCB1	CRITICAL	
000-0041	1	PLACEHOLDER FOR EEE/CCC INFO	[EEE:XB0]	CRITICAL	OZ9956
000-0041	1	PLACEHOLDER FOR EEE/CCC INFO	[EEE:Y9R]	CRITICAL	OZ9956A

DIMENSIONS ARE IN MILLIMETERS		METRIC		Apple Computer Inc.	
XX :	_____	DRAPTR	/	DESIGN CK	/
X.XX :	_____	ENG APPD	/	MFG APPD	/
X.XXX :	_____	QA APPD	/	DESIGNER	/
ANGLES :	_____	RELEASE	/	SCALE	NONE
DO NOT SCALE DRAWING		MATERIAL/FINISH NOTED AS APPLICABLE		SIZE	D
THIRD ANGLE PROJECTION		DRAWING NUMBER		051-7271	REV. A
		SHEET		1	OF 1