

8

7

6

5

4

3

2

1

- 1. ALL RESISTANCE VALUES ARE IN OHMS, 0.1 WATT +/- 5%.
- 2. ALL CAPACITANCE VALUES ARE IN MICROFARADS.
- 3. ALL CRYSTALS & OSCILLATOR VALUES ARE IN HERTZ.

REV	ZONE	ECN	DESCRIPTION OF CHANGE	CK APPD DATE	ENG APPD DATE
		485442	EVT Release #2	?	?

# SCHEM, LIMA, M76


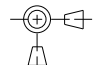
## EVT

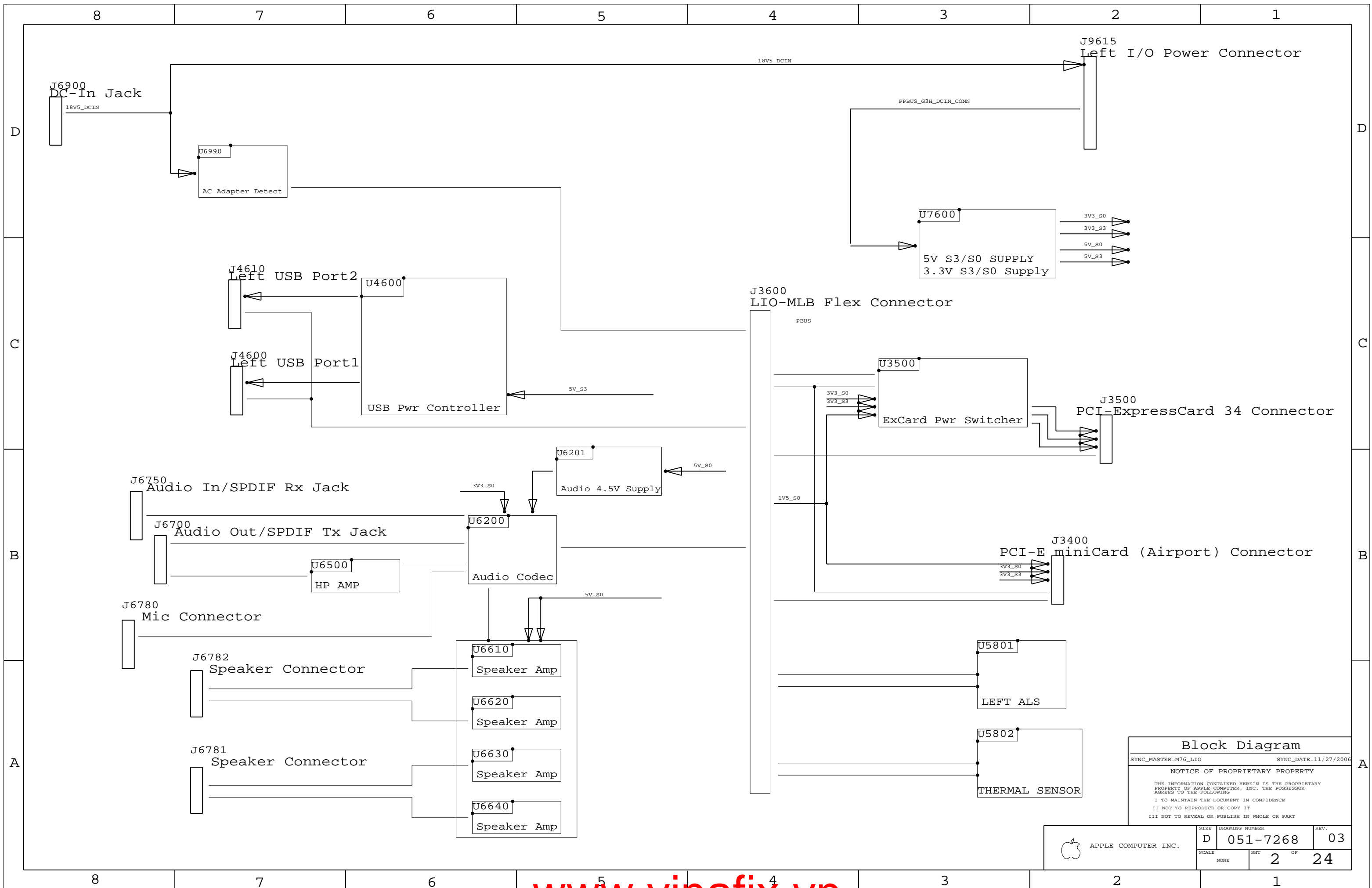
### 02/05/07

PDF PAGE	CSA PAGE	CONTENTS	SYNC MASTER	DATE
1	1	Table of Contents	M76_LIO	11/27/2006
2	2	Block Diagram	M76_LIO	11/27/2006
3	4	BOM CONFIGURATION	M76_LIO	11/27/2006
4	8	Aliases	M76_LIO	11/27/2006
5	34	PCI-E MiniCard Connector	M75_LIO	02/05/2007
6	35	ExpressCard Connector	M75_LIO	02/05/2007
7	36	MLB I/O Board Connector	M76_LIO	11/27/2006
8	46	Left USB Port	M76_LIO	11/27/2006
9	58	Left ALS	M76_LIO	11/27/2006
10	62	AUDIO:CODEC	M76_AUDIO	02/05/2007
11	63	AUDIO: LINE IN	M76_AUDIO	02/05/2007
12	65	AUDIO: HEADPHONE AMP	M76_AUDIO	02/05/2007
13	66	AUDIO:SPEAKER AMP	M76_AUDIO	02/05/2007
14	67	AUDIO: JACKS	M76_AUDIO	02/05/2007
15	68	AUDIO: JACK TRANSLATORS	M76_AUDIO	02/05/2007
16	69	DC-In & Battery Connectors	M76_LIO	11/27/2006
17	76	5V/3.3V SUPPLY	M57_LIO	11/30/2006
18	96	LEFT I/O POWER CONNECTOR	M76_LIO	11/27/2006
19	97	Cross Reference Page	M76_LIO	11/27/2006
20	98	Cross Reference Page	M76_LIO	11/27/2006
21	100	HISTORY: NON-AUDIO	(MASTER)	(MASTER)
22	101		M76_AUDIO	02/05/2007
23	102	Cross Reference Page		
24	103	Cross Reference Page		

# ALIASES RESOLVED

PART#	QTY	DESCRIPTION	REFERENCE DESIGNATOR(S)	CRITICAL	BOM OPTION
051-7268	1	SCHEM, LIO, M76	SCH	CRITICAL	
820-2140	1	PCBF, LIO, M76	PCB	CRITICAL	

DIMENSIONS ARE IN MILLIMETERS		<b>METRIC</b>		 Apple Computer Inc.	
XX :	_____	DRAPTER	/	DESIGN CK	/
X.XX :	_____	ENG APPD	/	MFG APPD	/
X.XXX :	_____	QA APPD	/	DESIGNER	/
ANGLES :	_____	RELEASE	/	SCALE	NONE
DO NOT SCALE DRAWING		MATERIAL/FINISH NOTED AS APPLICABLE		SIZE	D
 THIRD ANGLE PROJECTION		DRAWING NUMBER		051-7268	REV. 03
SHT 1 OF 24					



**Block Diagram**  
 SYNC\_MASTER=M76\_LIO SYNC\_DATE=11/27/2006  
 NOTICE OF PROPRIETARY PROPERTY  
 THE INFORMATION CONTAINED HEREIN IS THE PROPRIETARY PROPERTY OF APPLE COMPUTER, INC. THE POSSESSOR AGREES TO THE FOLLOWING  
 I TO MAINTAIN THE DOCUMENT IN CONFIDENCE  
 II NOT TO REPRODUCE OR COPY IT  
 III NOT TO REVEAL OR PUBLISH IN WHOLE OR PART

APPLE COMPUTER INC.	SIZE	DRAWING NUMBER	REV.
	D	051-7268	03
SCALE	SHT	OF	
NONE	2	24	

8

7

6

5

4

3

2

1

BOM NUMBER	BOM NAME	BOM OPTIONS
630-7980	PCBA, LIMA, M76	COMMON

BAR CODE LABEL / EEE#'S

PART NUMBER	QTY	DESCRIPTION	REFERENCE DES	CRITICAL	BOM OPTION
000-0041	1	LBL, P/N LABEL, PCB	[EEE:XBD]	CRITICAL	

PART#	QTY	DESCRIPTION	REFERENCE DESIGNATOR(S)	CRITICAL	BOM OPTION
815-8851	1	ALS SPACER, M9	SP6401	CRITICAL	

BOM CONFIGURATION

SYNC\_MASTER=M76\_LIO SYNC\_DATE=11/27/2006

NOTICE OF PROPRIETARY PROPERTY

THE INFORMATION CONTAINED HEREIN IS THE PROPRIETARY PROPERTY OF APPLE COMPUTER, INC. THE POSSESSOR AGREES TO THE FOLLOWING

I TO MAINTAIN THE DOCUMENT IN CONFIDENCE

II NOT TO REPRODUCE OR COPY IT

III NOT TO REVEAL OR PUBLISH IN WHOLE OR PART



APPLE COMPUTER INC.

SIZE	DRAWING NUMBER	REV.
D	051-7268	03
SCALE	SHT	OF
NONE	3	24

8

7

6

5

4

3

2

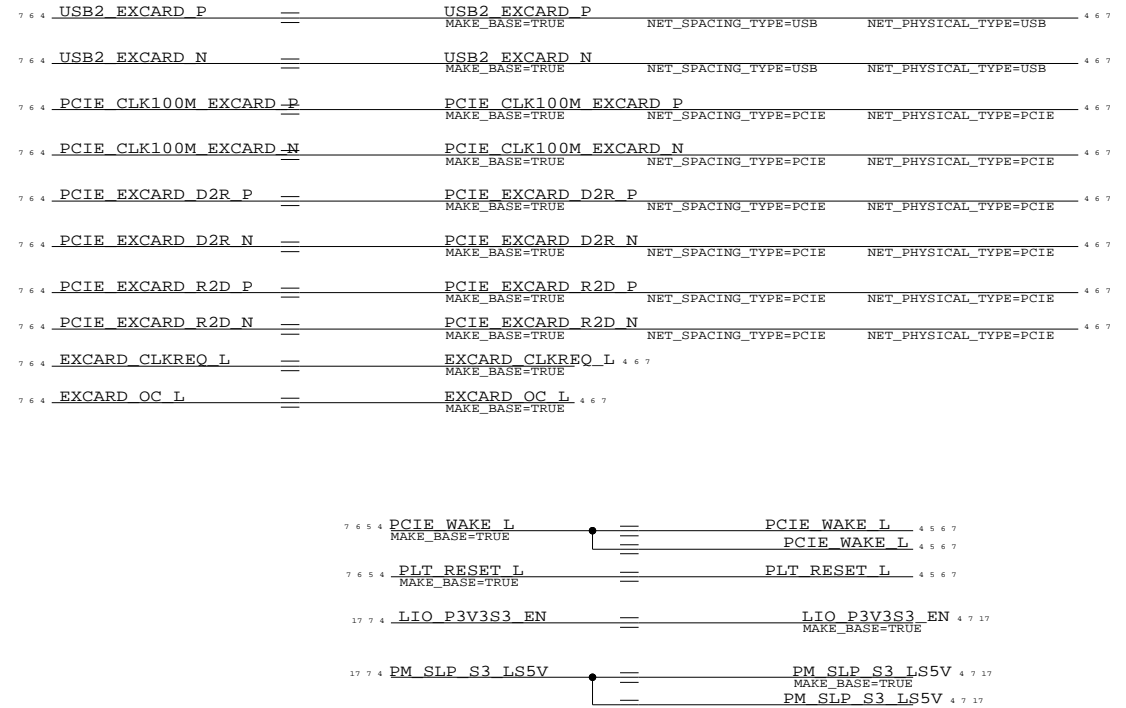
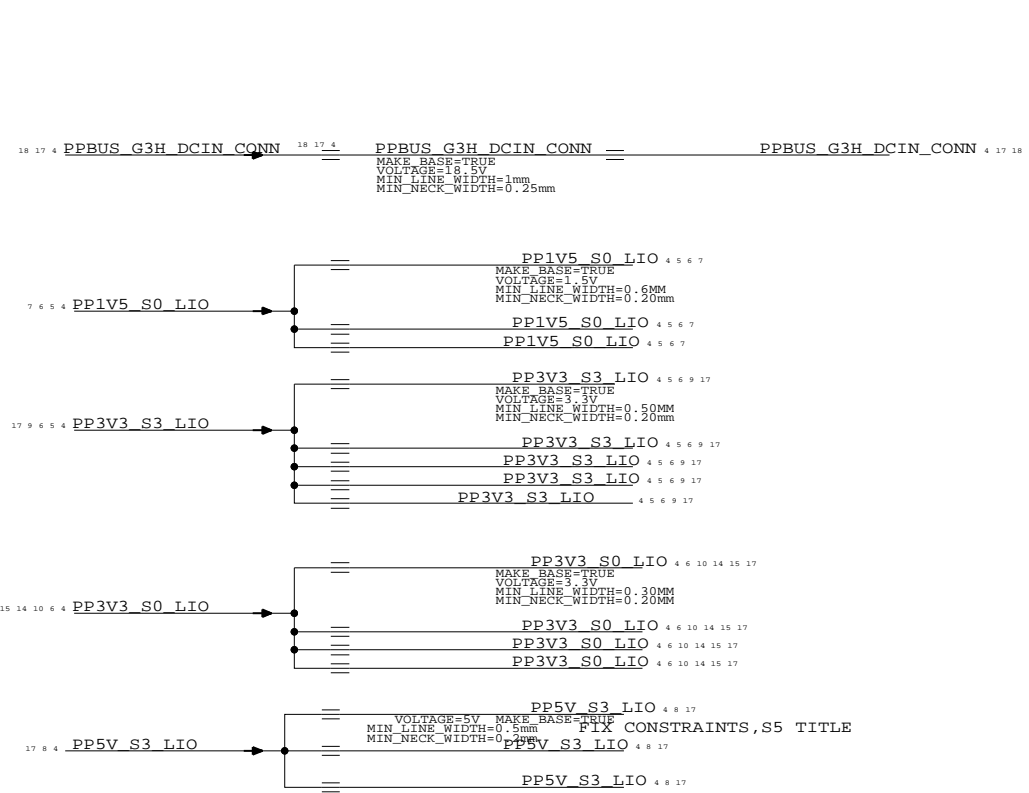
1

POWER & GROUNDS

PCI-E EXPRESS CARD 34

D

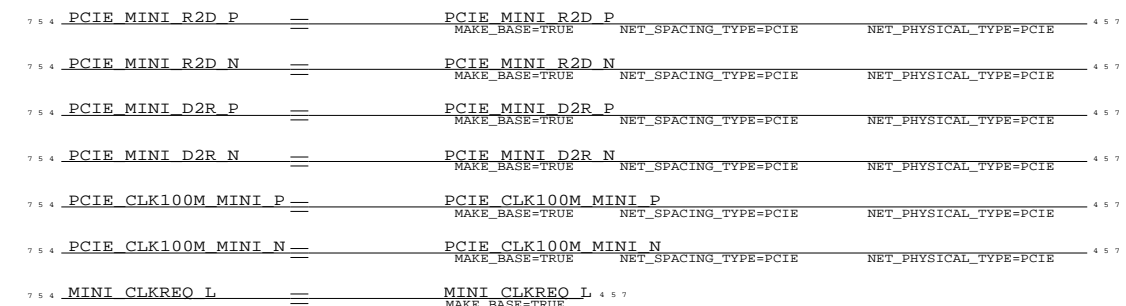
D



C

C

PCI-E MINICARD

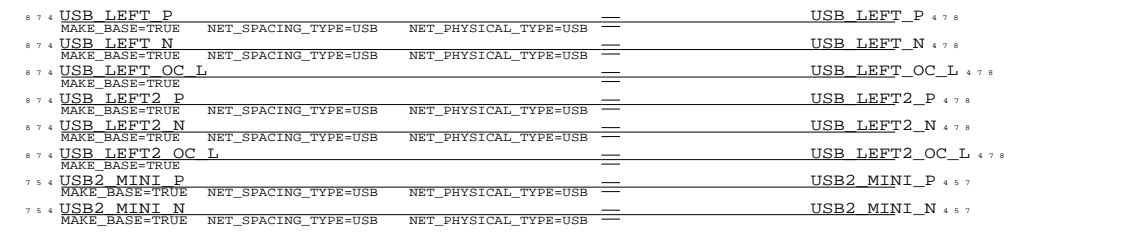
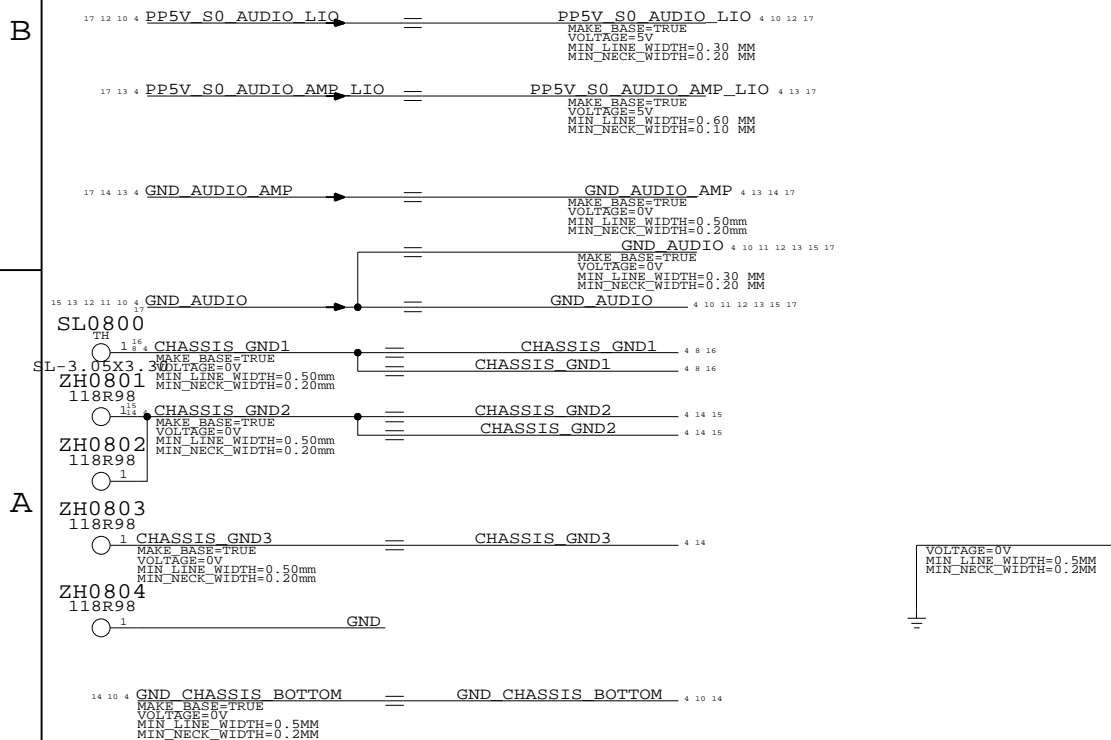


B

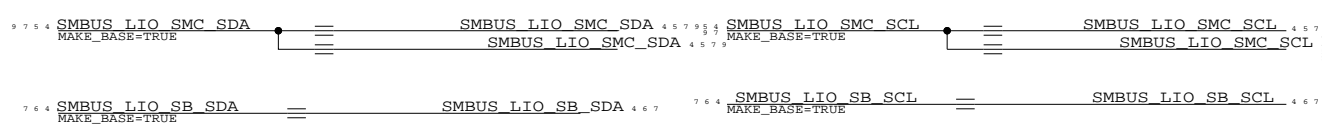
B

AUDIO

USB



SMBUS



A

A

**Aliases**

SYNC\_MASTER=M76\_LIO SYNC\_DATE=11/27/2006

**NOTICE OF PROPRIETARY PROPERTY**

THE INFORMATION CONTAINED HEREIN IS THE PROPRIETARY PROPERTY OF APPLE COMPUTER, INC. THE POSSESSOR AGREES TO THE FOLLOWING

I TO MAINTAIN THE DOCUMENT IN CONFIDENCE

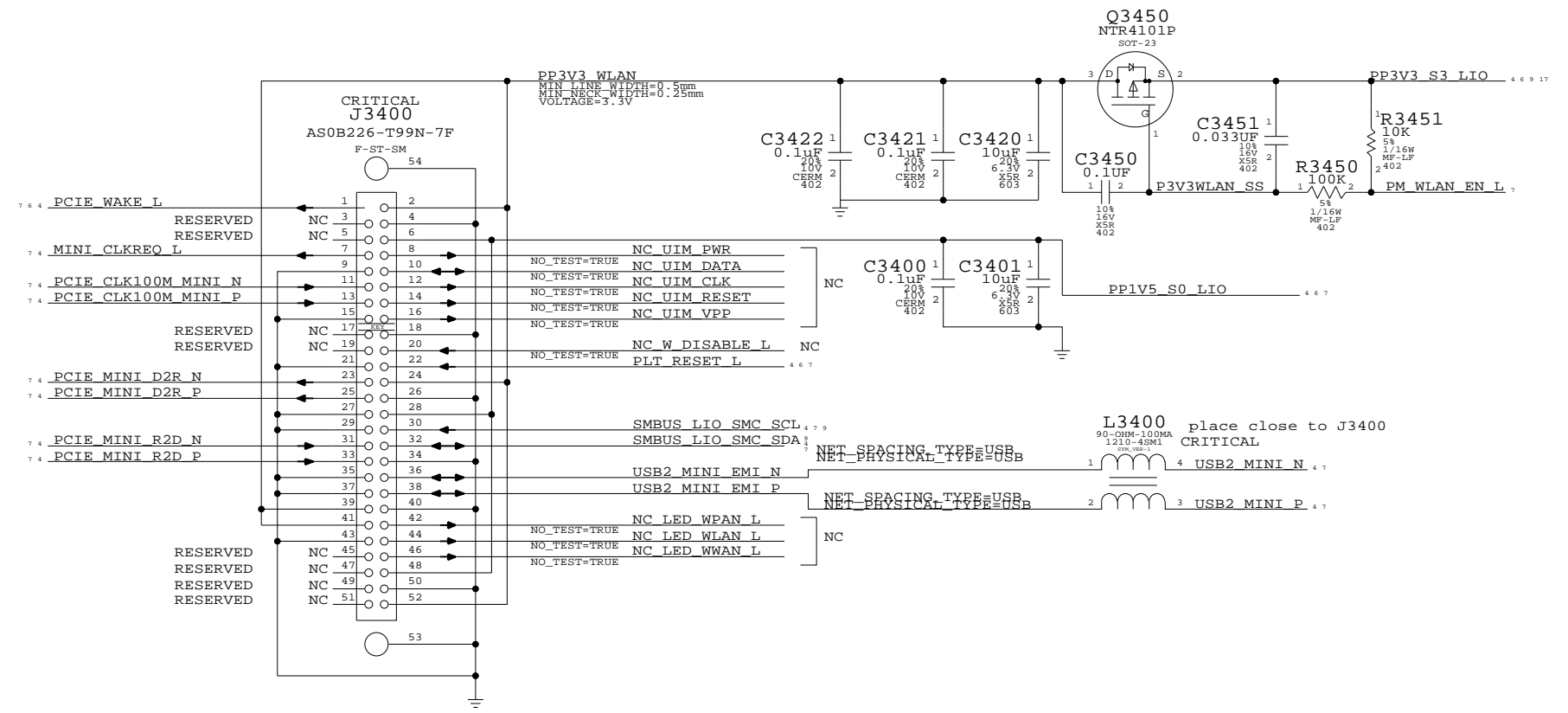
II NOT TO REPRODUCE OR COPY IT

III NOT TO REVEAL OR PUBLISH IN WHOLE OR PART

APPLE COMPUTER INC.

SIZE	DRAWING NUMBER	REV.
D	051-7268	03
SCALE	SHT	OF
NONE	4	24

# PCI-EXPRESS MINI CARD CONNECTOR

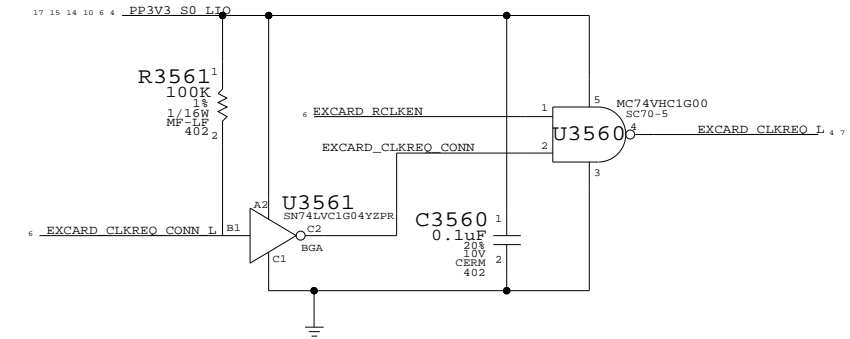
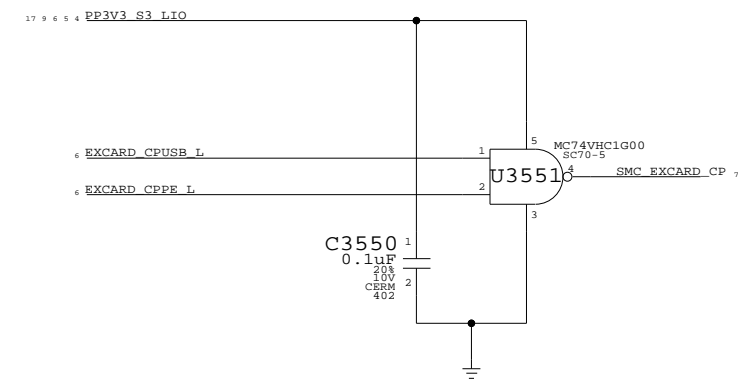
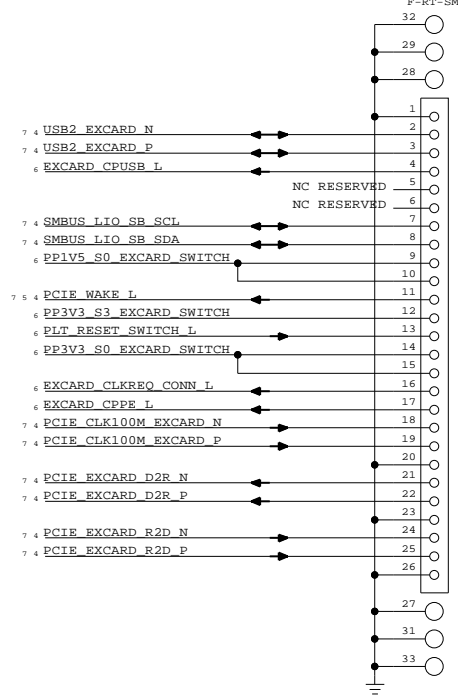
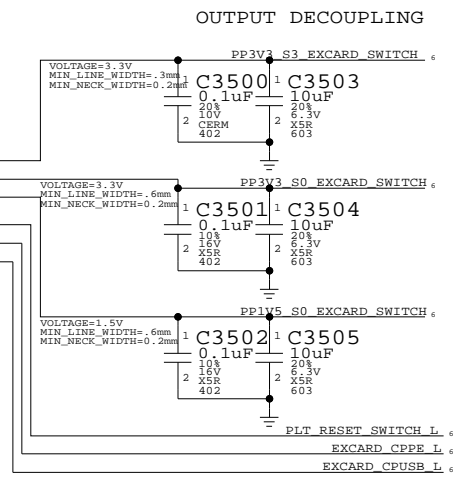
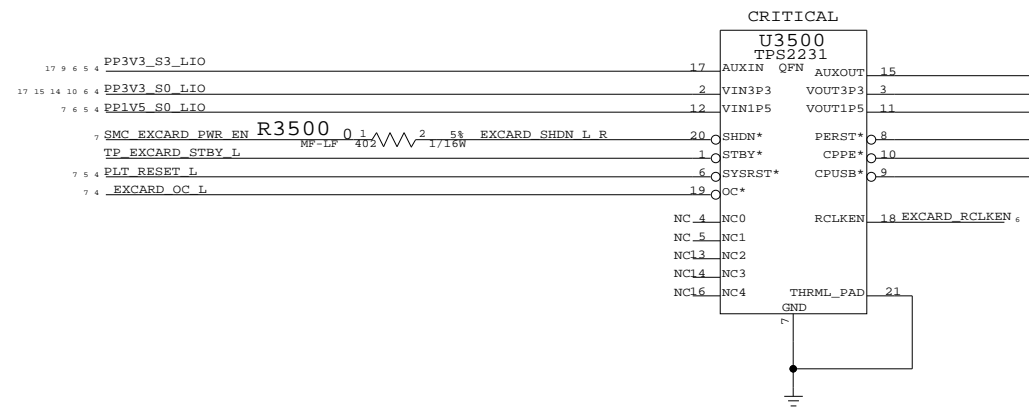
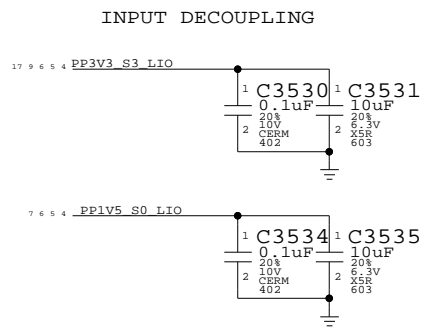


PCI-E MiniCard Connector  
 SYNC\_MASTER=M75\_LIO SYNC\_DATE=02/05/2007  
 NOTICE OF PROPRIETARY PROPERTY  
 THE INFORMATION CONTAINED HEREIN IS THE PROPRIETARY PROPERTY OF APPLE COMPUTER, INC. THE POSSESSOR AGREES TO THE FOLLOWING  
 I TO MAINTAIN THE DOCUMENT IN CONFIDENCE  
 II NOT TO REPRODUCE OR COPY IT  
 III NOT TO REVEAL OR PUBLISH IN WHOLE OR PART

APPLE COMPUTER INC.	SIZE	DRAWING NUMBER	REV.
	D	051-7268	03
SCALE	SHT		OF
NONE	5		24

# EXPRESSCARD/34 TOP MOUNT CONNECTOR

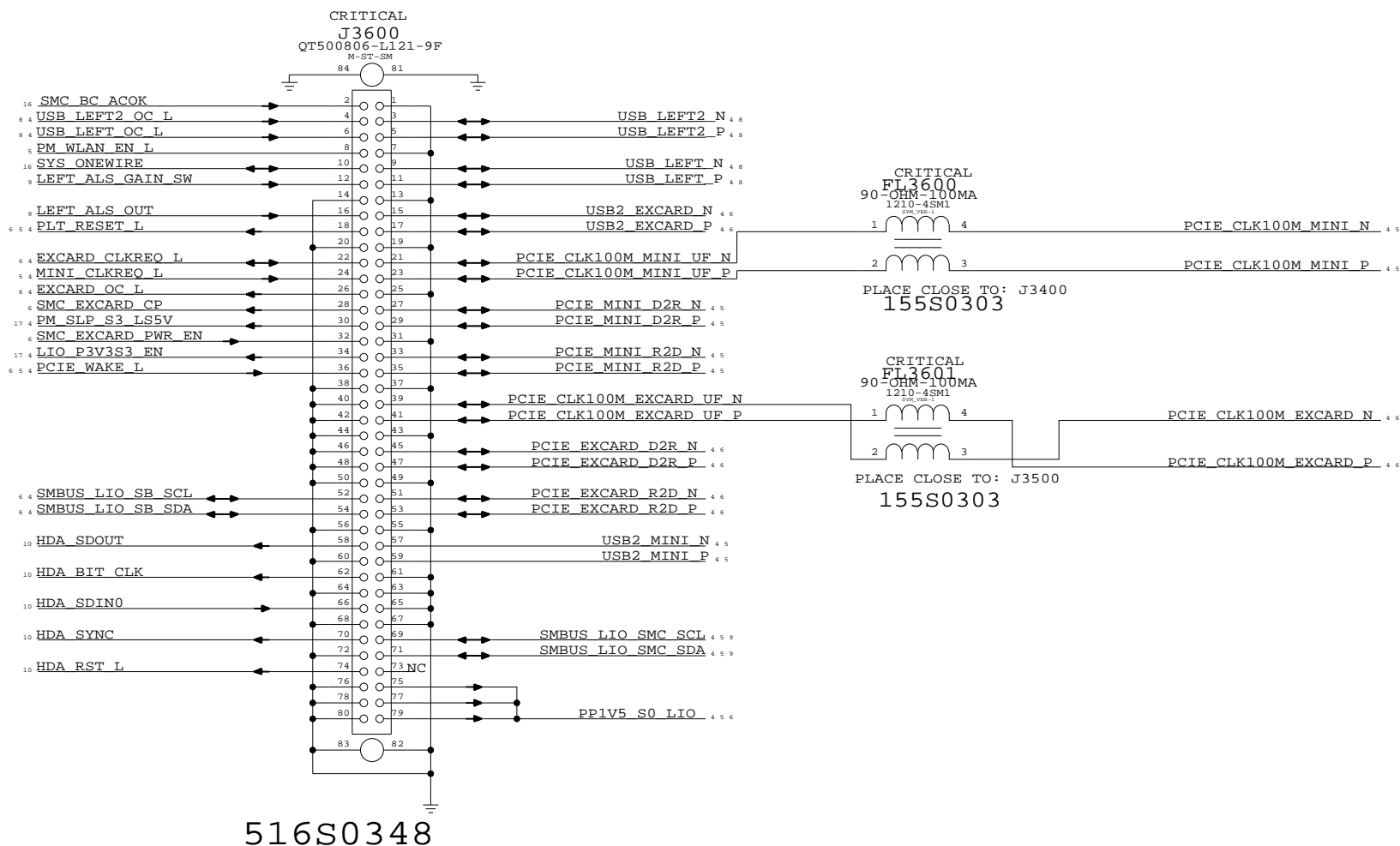
CARD CAGE CONNECTOR  
CRITICAL  
J3500  
237-5300703903-2  
P-RF-SM



**ExpressCard Connector**  
SYNC\_MASTER=M75\_LIO SYNC\_DATE=02/05/2007  
**NOTICE OF PROPRIETARY PROPERTY**  
THE INFORMATION CONTAINED HEREIN IS THE PROPRIETARY PROPERTY OF APPLE COMPUTER, INC. THE POSSESSOR AGREES TO THE FOLLOWING:  
I TO MAINTAIN THE DOCUMENT IN CONFIDENCE  
II NOT TO REPRODUCE OR COPY IT  
III NOT TO REVEAL OR PUBLISH IN WHOLE OR PART

APPLE COMPUTER INC.	SIZE	DRAWING NUMBER	REV.
	D	051-7268	03
SCALE	SHT		OF
NONE	6		24

# Left I/O Board Connector



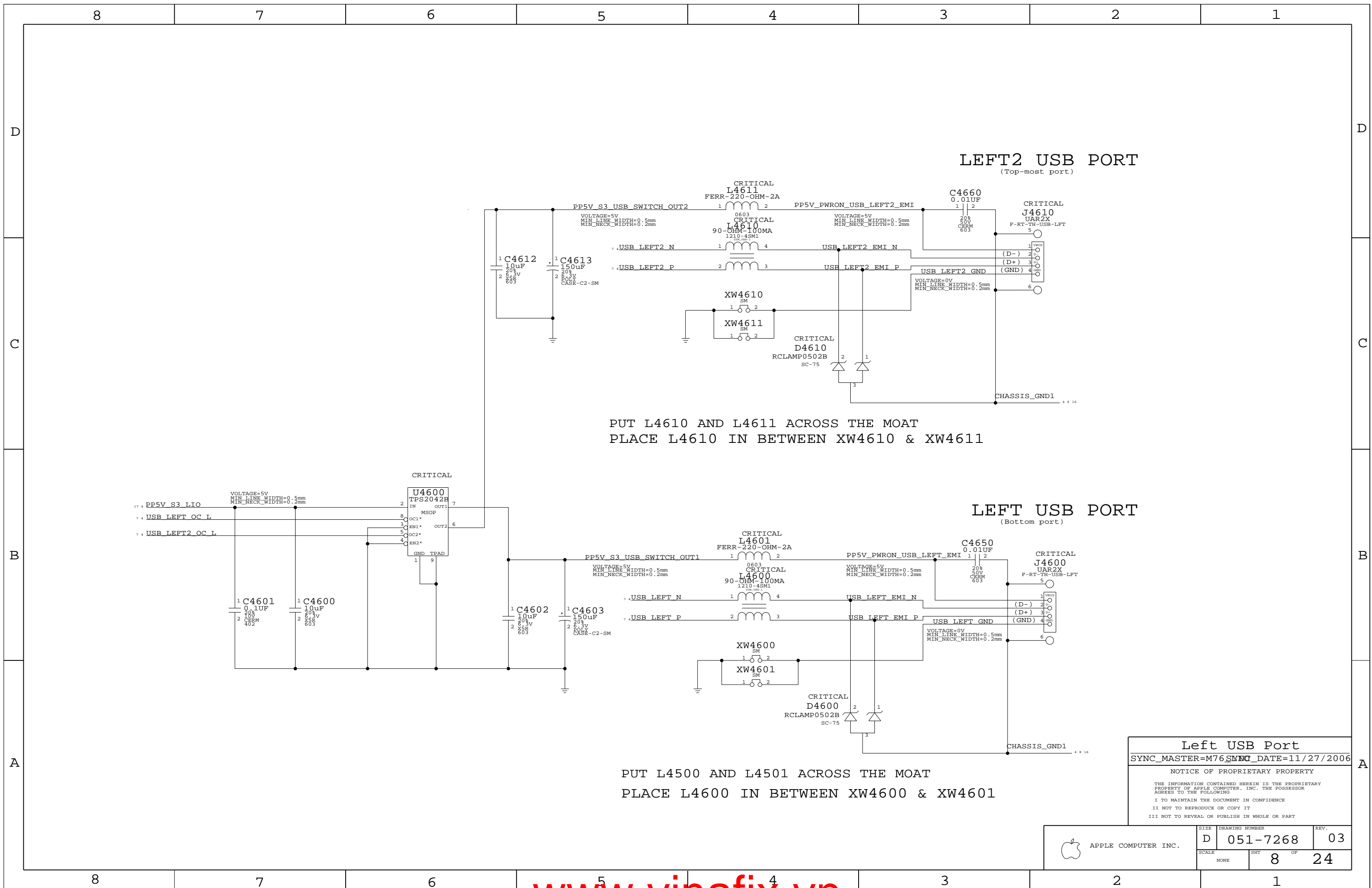
## MLB I/O Board Connector

SYNC\_MASTER=M76\_LIO SYNC\_DATE=11/27/2006

### NOTICE OF PROPRIETARY PROPERTY

THE INFORMATION CONTAINED HEREIN IS THE PROPRIETARY PROPERTY OF APPLE COMPUTER, INC. THE POSSESSOR AGREES TO THE FOLLOWING:  
 I TO MAINTAIN THE DOCUMENT IN CONFIDENCE  
 II NOT TO REPRODUCE OR COPY IT  
 III NOT TO REVEAL OR PUBLISH IN WHOLE OR PART

APPLE COMPUTER INC.	SIZE	DRAWING NUMBER	REV.
	D	051-7268	03
SCALE	SHT		OF
NONE	7		24



**LEFT2 USB PORT**  
(Top-most port)

PUT L4610 AND L4611 ACROSS THE MOAT  
PLACE L4610 IN BETWEEN XW4610 & XW4611

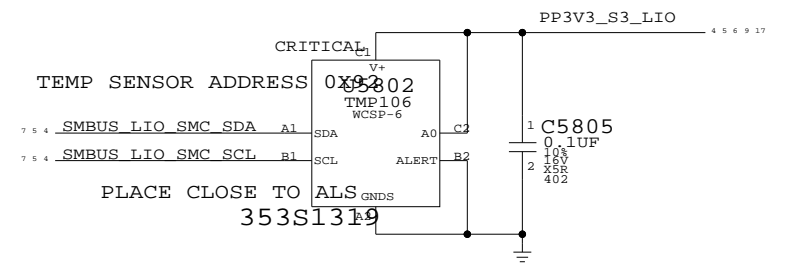
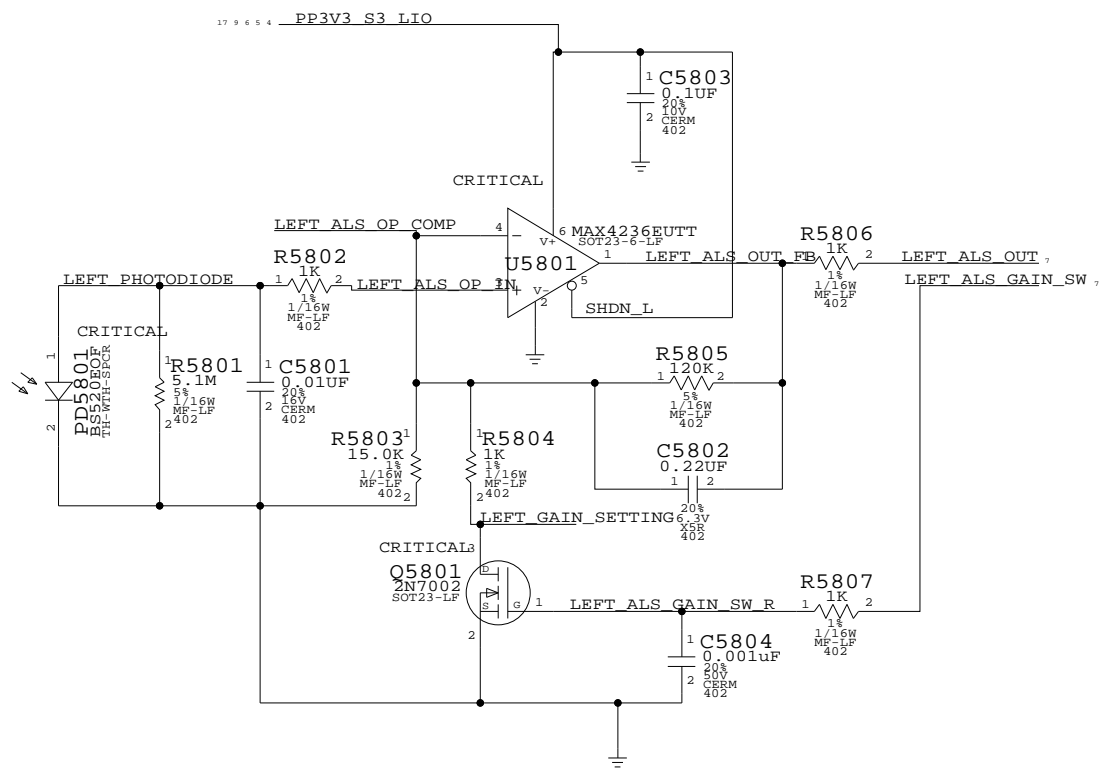
**LEFT USB PORT**  
(Bottom port)

PUT L4500 AND L4501 ACROSS THE MOAT  
PLACE L4600 IN BETWEEN XW4600 & XW4601

**Left USB Port**  
 SYNC\_MASTER=M76 SMC\_DATE=11/27/2006  
 NOTICE OF PROPRIETARY PROPERTY  
 THE INFORMATION CONTAINED HEREIN IS THE PROPRIETARY PROPERTY OF APPLE COMPUTER, INC. THE POSSESSOR AGREES TO THE FOLLOWING  
 I TO MAINTAIN THE DOCUMENT IN CONFIDENCE  
 II NOT TO REPRODUCE OR COPY IT  
 III NOT TO REVEAL OR PUBLISH IN WHOLE OR PART

APPLE COMPUTER INC.	SIZE	DRAWING NUMBER	REV.
	D	051-7268	03
SCALE		SHT	OF
NONE		8	24





**Left ALS**

SYNC\_MASTER=M76\_LIO    SYNC\_DATE=11/27/2006

NOTICE OF PROPRIETARY PROPERTY

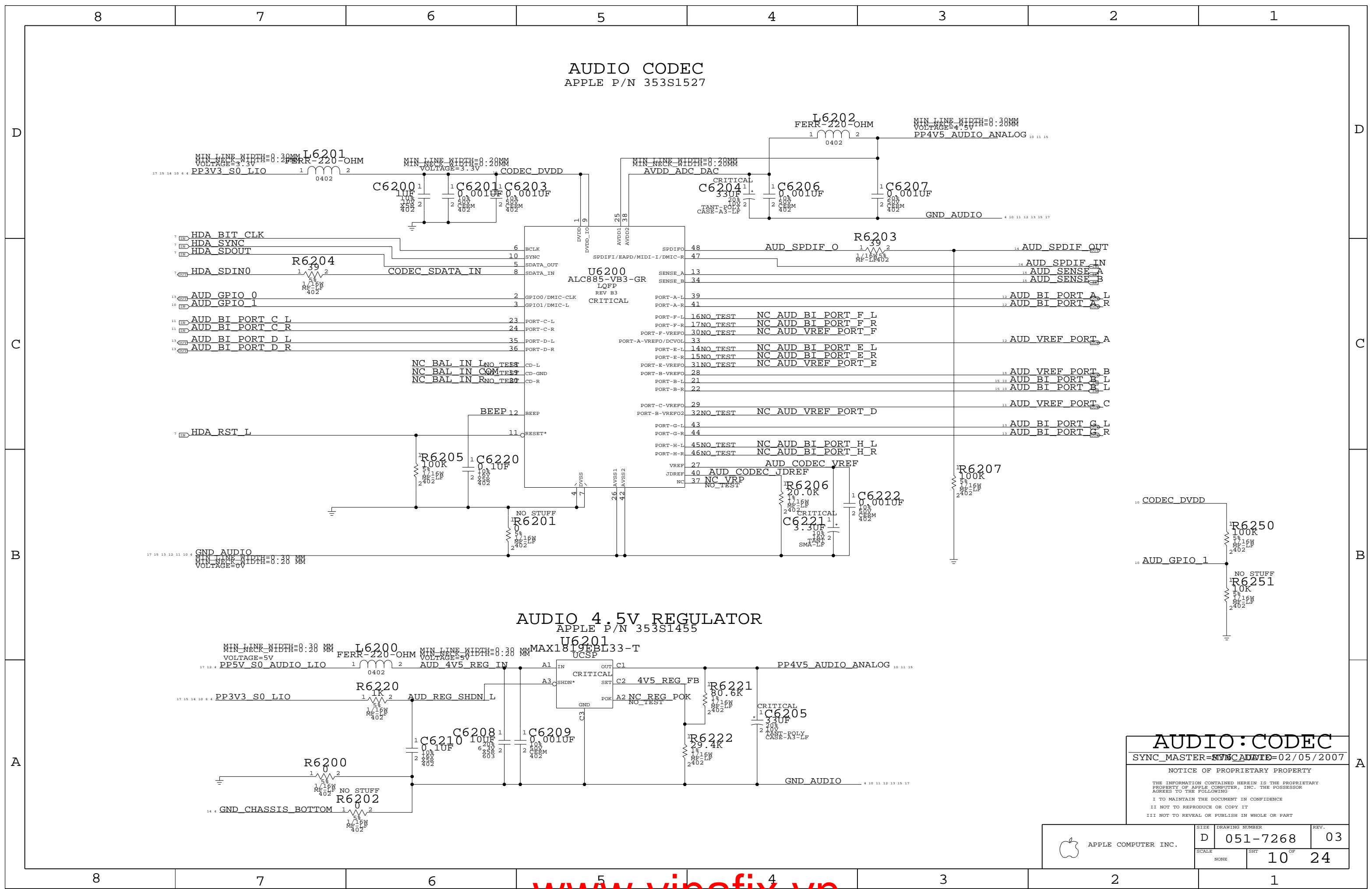
THE INFORMATION CONTAINED HEREIN IS THE PROPRIETARY PROPERTY OF APPLE COMPUTER, INC. THE POSSESSOR AGREES TO THE FOLLOWING

I TO MAINTAIN THE DOCUMENT IN CONFIDENCE

II NOT TO REPRODUCE OR COPY IT

III NOT TO REVEAL OR PUBLISH IN WHOLE OR PART

APPLE COMPUTER INC.	SIZE	DRAWING NUMBER	REV.
	D	051-7268	03
SCALE	SHT	OF	REV.
NONE	9	24	



**AUDIO: CODEC**

SYNC\_MASTER=SYNCAUDIO=02/05/2007

NOTICE OF PROPRIETARY PROPERTY

THE INFORMATION CONTAINED HEREIN IS THE PROPRIETARY PROPERTY OF APPLE COMPUTER, INC. THE POSSESSOR AGREES TO THE FOLLOWING

I TO MAINTAIN THE DOCUMENT IN CONFIDENCE

II NOT TO REPRODUCE OR COPY IT

III NOT TO REVEAL OR PUBLISH IN WHOLE OR PART

APPLE COMPUTER INC.	SIZE	DRAWING NUMBER	REV.
	D	051-7268	03
SCALE		SHEET	
NONE		10 OF 24	

8

7

6

5

4

3

2

1

D

D

C

C

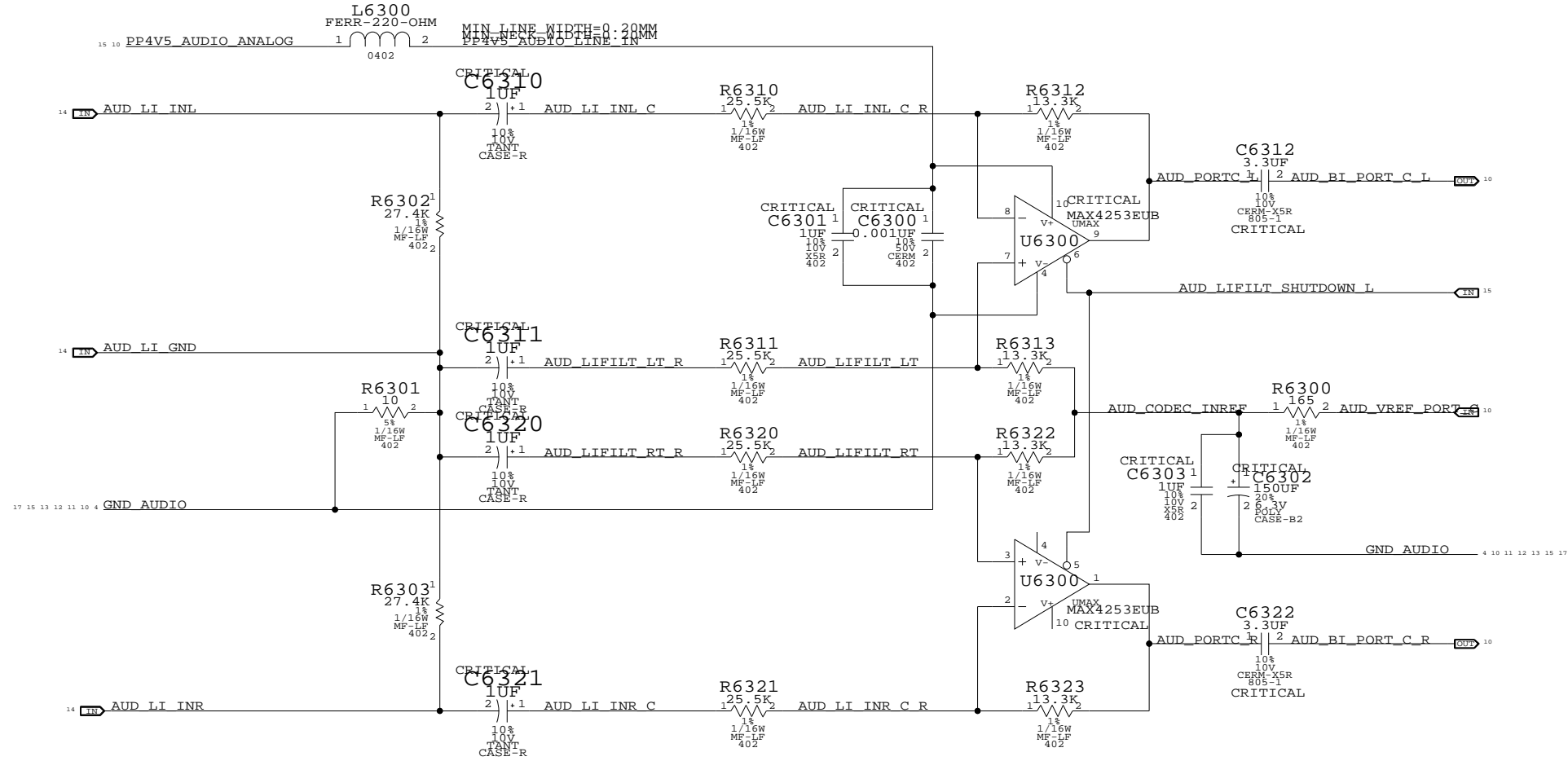
B

B

A

A

Pseudo-Diff Line-In Filter  
 GAIN = -5.4DB AV = 0.52  
 FC = 6.24 HZ

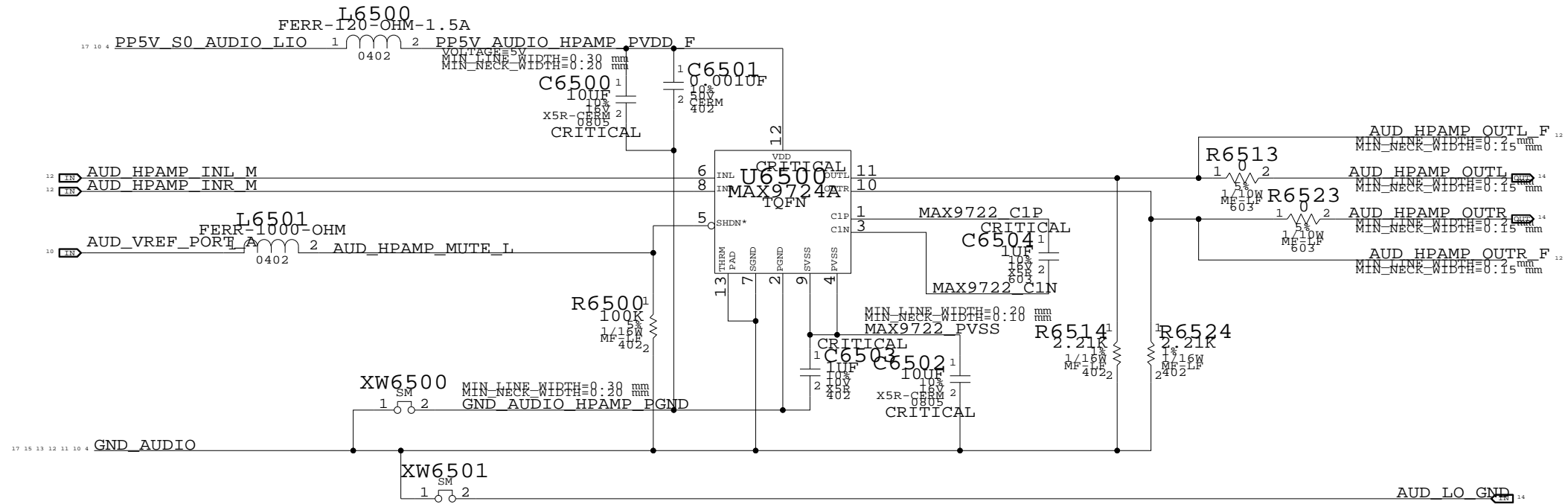


**AUDIO: LINE IN**  
 SYNC\_MASTER=M76\_AUDIO SYNC\_DATE=02/05/2007  
 NOTICE OF PROPRIETARY PROPERTY  
 THE INFORMATION CONTAINED HEREIN IS THE PROPRIETARY PROPERTY OF APPLE COMPUTER, INC. THE POSSESSOR AGREES TO THE FOLLOWING  
 I TO MAINTAIN THE DOCUMENT IN CONFIDENCE  
 II NOT TO REPRODUCE OR COPY IT  
 III NOT TO REVEAL OR PUBLISH IN WHOLE OR PART

APPLE COMPUTER INC.	SIZE	DRAWING NUMBER	REV.
	NONE	11 OF 24	03

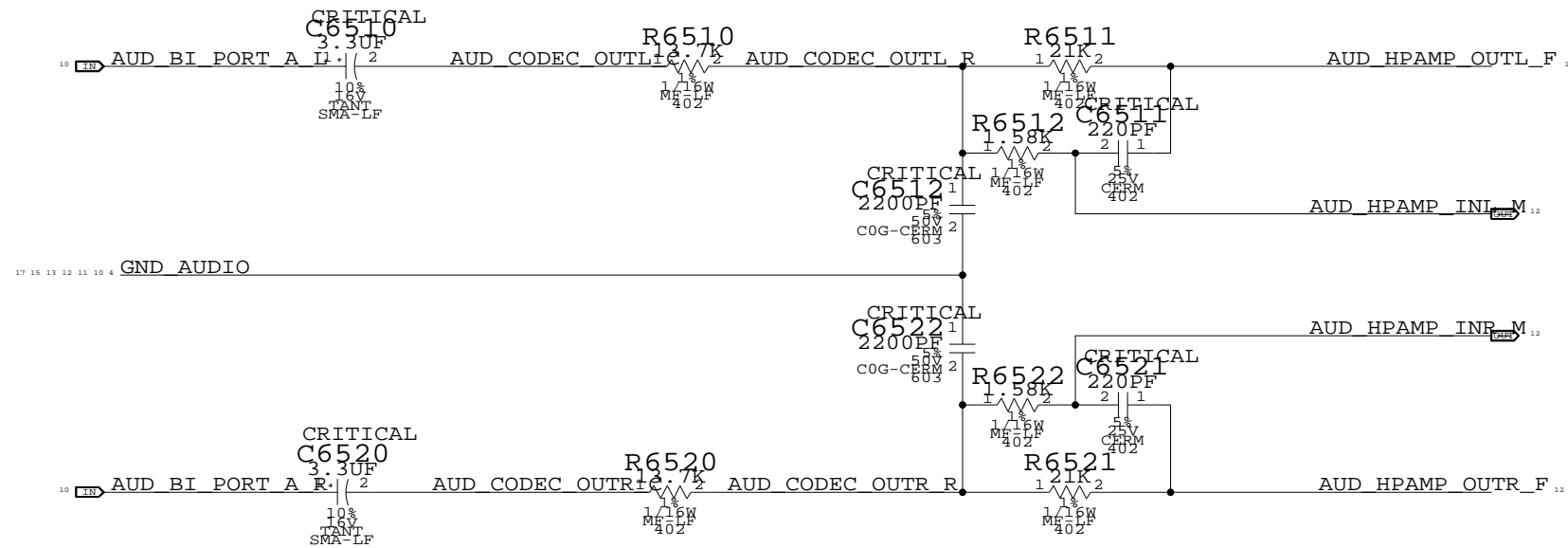
# Headphone Amplifier (MAX9724A)

APN: 353S1637  
VOLTAGE GAIN: 1.53



# 2nd Order DAC Filter

HP: 3.52 HZP: 39 KHZ



## AUDIO: HEADPHONE AMP

SYNC\_MASTER=MSNA DATE=02/05/2007

NOTICE OF PROPRIETARY PROPERTY

THE INFORMATION CONTAINED HEREIN IS THE PROPRIETARY PROPERTY OF APPLE COMPUTER, INC. THE POSSESSOR AGREES TO THE FOLLOWING

I TO MAINTAIN THE DOCUMENT IN CONFIDENCE

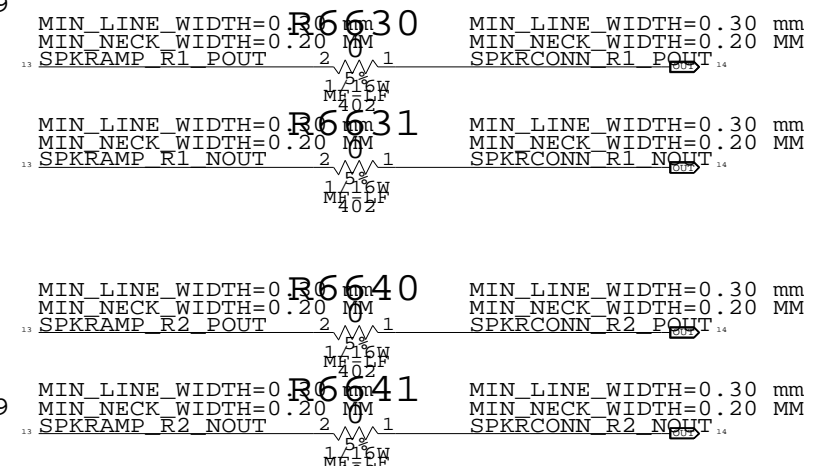
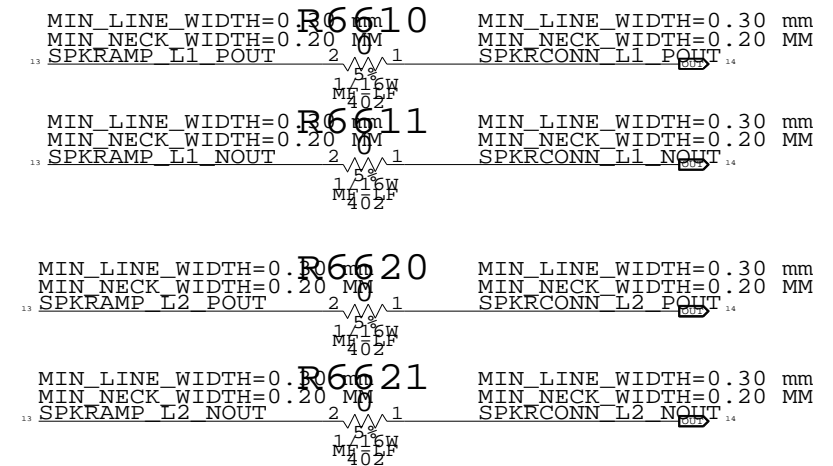
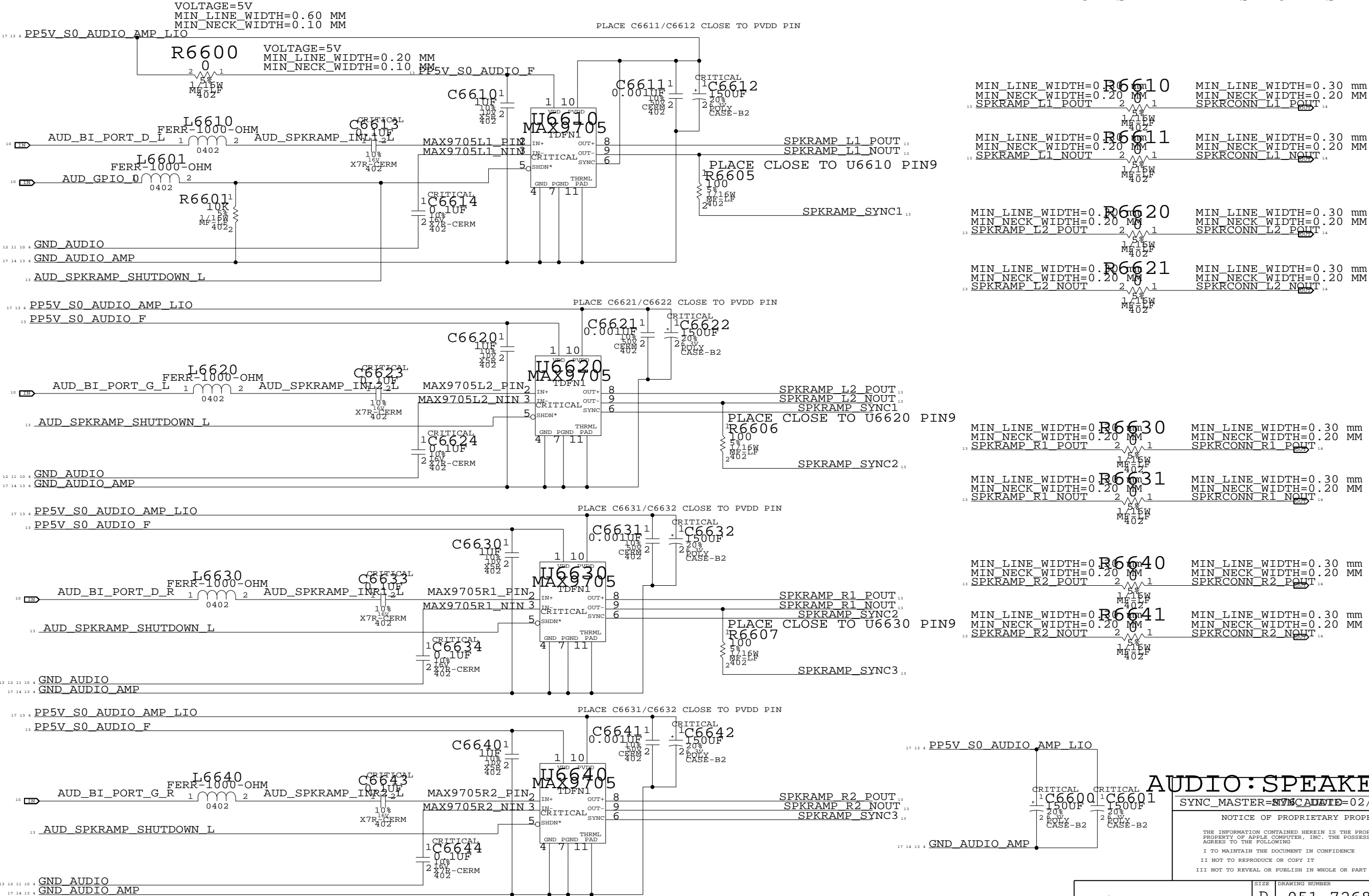
II NOT TO REPRODUCE OR COPY IT

III NOT TO REVEAL OR PUBLISH IN WHOLE OR PART

APPLE COMPUTER INC.	SIZE	DRAWING NUMBER	REV.
	D	051-7268	03
SCALE	NONE	SHT	12 OF 24

2X MONO SPEAKER AMPLIFIERS (MAX9705) 12DB/9HZ < FC < 132HZ  
 APN: 353S1595 TURN ON TIME: 30MS, TURN ON DELAY: 60MS

FANCY SPEAKER TESTPOINTS

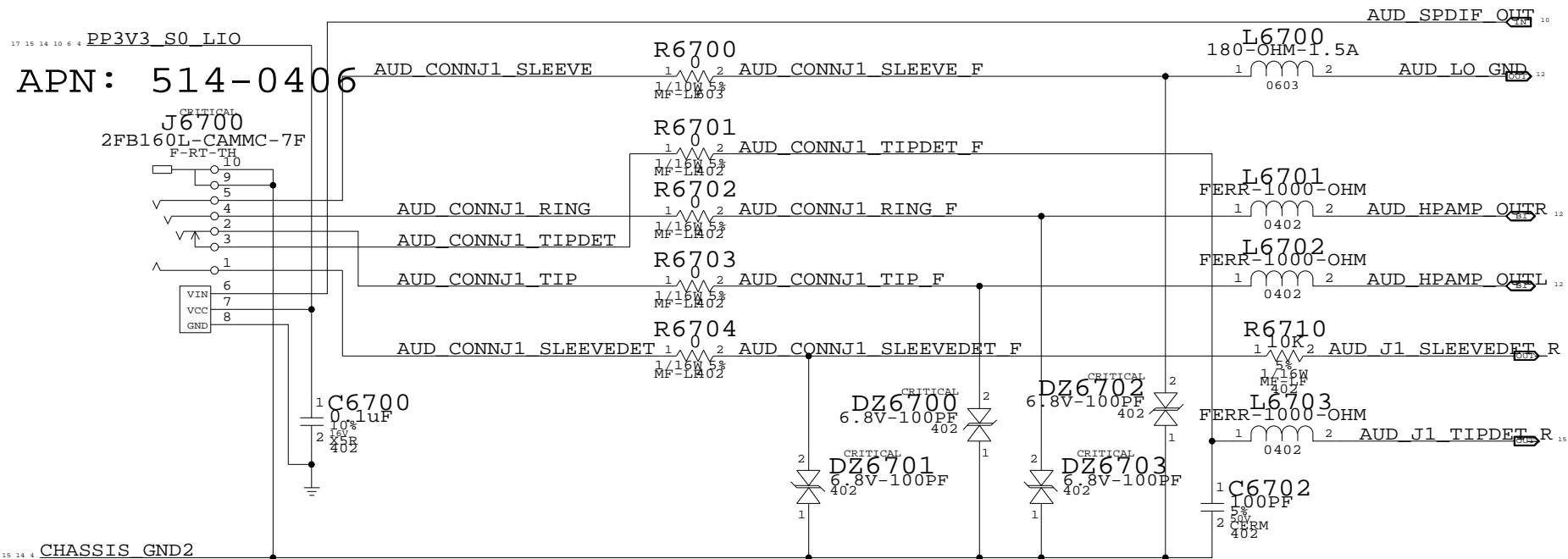


AUDIO: SPEAKER AMP

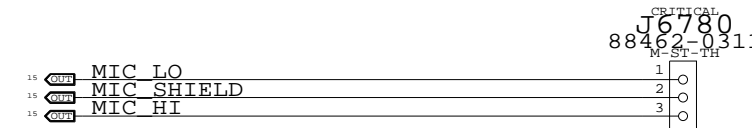
SYNC\_MASTER=SYNCA DATE=02/05/2007  
 NOTICE OF PROPRIETARY PROPERTY  
 THE INFORMATION CONTAINED HEREIN IS THE PROPRIETARY PROPERTY OF APPLE COMPUTER, INC. THE POSSESSOR AGREES TO THE FOLLOWING  
 I TO MAINTAIN THE DOCUMENT IN CONFIDENCE  
 II NOT TO REPRODUCE OR COPY IT  
 III NOT TO REVEAL OR PUBLISH IN WHOLE OR PART

APPLE COMPUTER INC.	SIZE	DRAWING NUMBER	REV.
	NONE	051-7268	03
		SHT	OF
		13	24

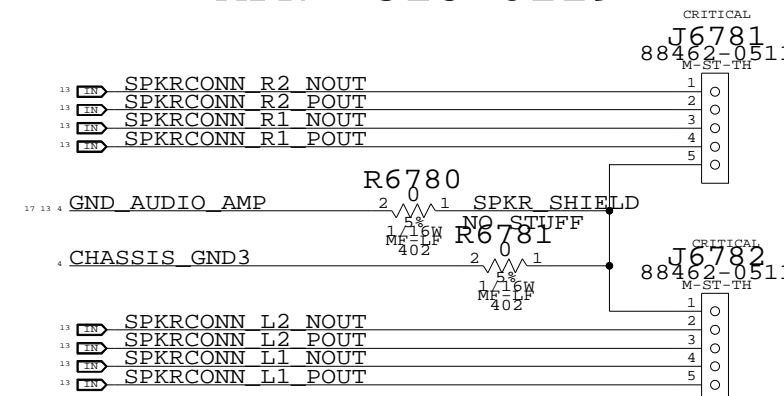
AUDIO JACK 1 LO/HP CONNECTOR, SPDIF TX



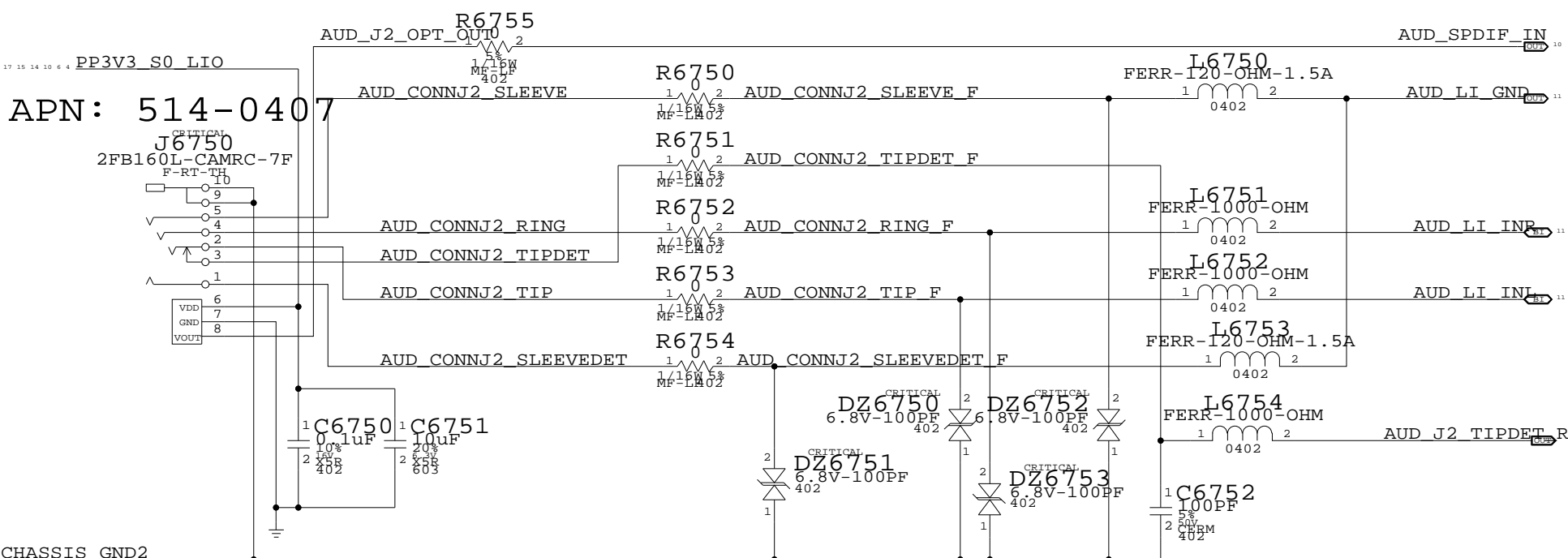
MIC CONNECTOR  
APN: 518-0230



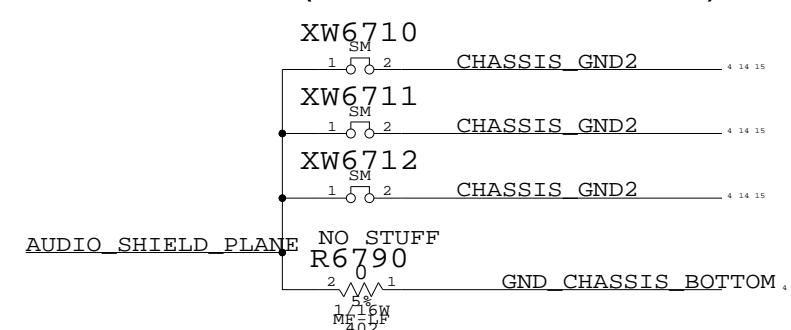
SPEAKER CONNECTORS  
APN: 518-0229



AUDIO JACK 2 LINE IN CONNECTOR, SPDIF RX



AUDIO SHIELD  
(FILLED SHAPE)



AUDIO: JACKS

SYNC\_MASTER=M76\_AUDIO SYNC\_DATE=02/05/2007  
NOTICE OF PROPRIETARY PROPERTY  
THE INFORMATION CONTAINED HEREIN IS THE PROPRIETARY PROPERTY OF APPLE COMPUTER, INC. THE POSSESSOR AGREES TO THE FOLLOWING  
I TO MAINTAIN THE DOCUMENT IN CONFIDENCE  
II NOT TO REPRODUCE OR COPY IT  
III NOT TO REVEAL OR PUBLISH IN WHOLE OR PART

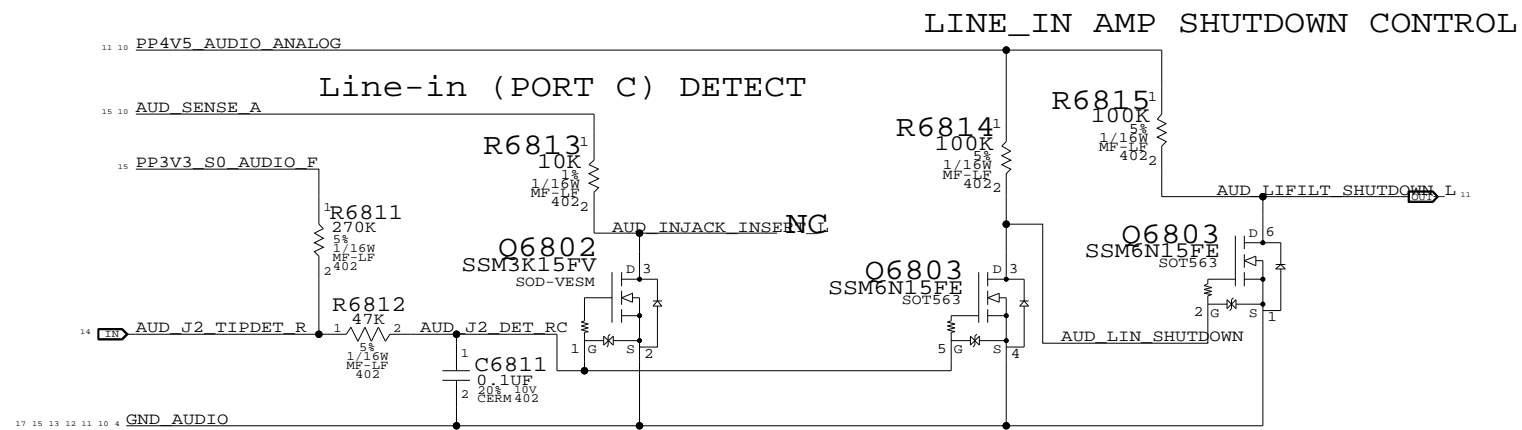
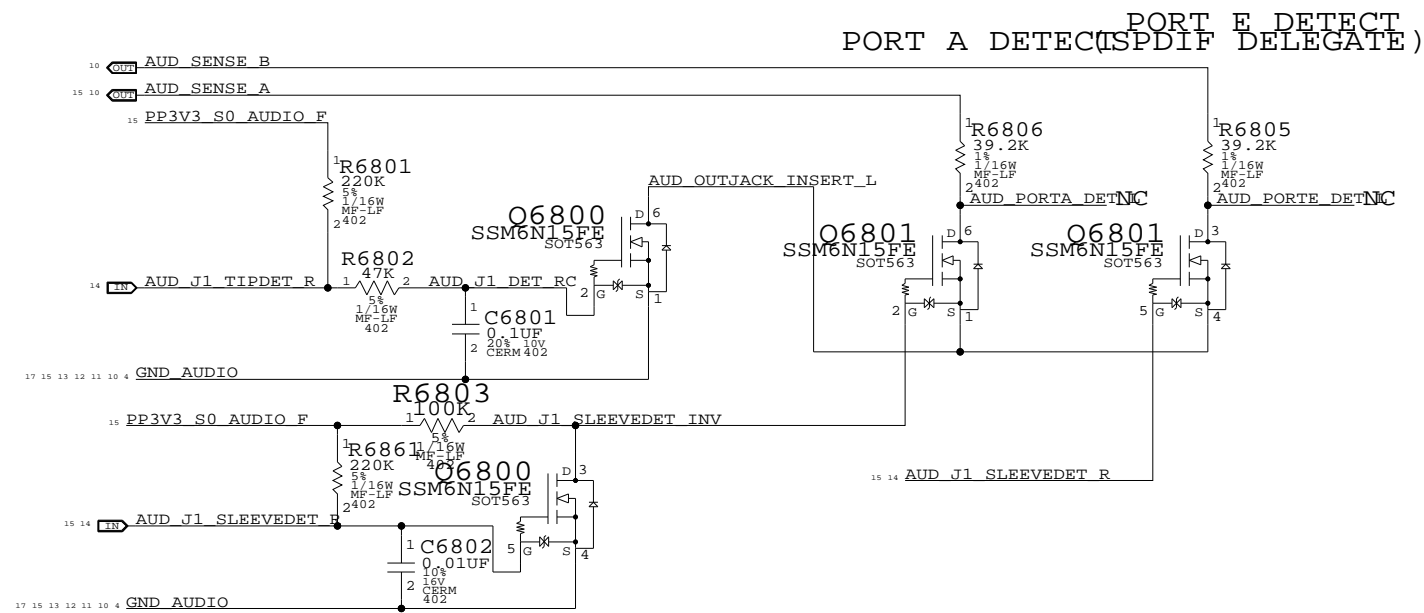
APPLE COMPUTER INC.	SIZE	DRAWING NUMBER	REV.
	D	051-7268	03
SCALE	NONE	SHT	14 OF 24

CODEC OUTPUT SIGNAL PATHS

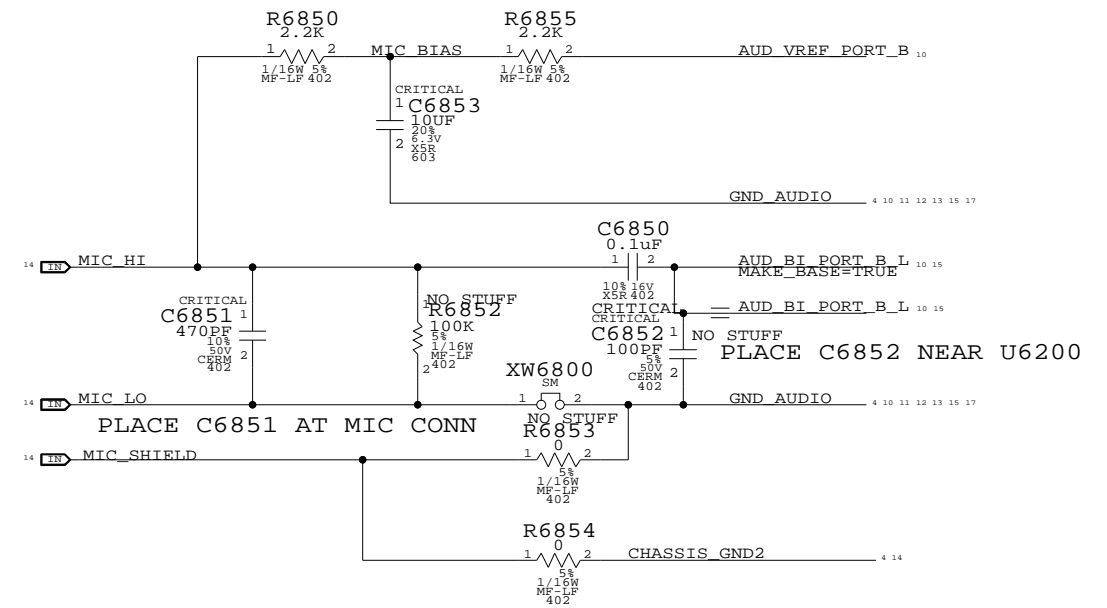
FUNCTION	VOLUME	CONVERTER	PIN	COMPLEX	MUTE	CONTROL	DET ASSIGNMENT
HP/LINE OUT	0X0D (13)	0X03 (03)	0X15 (21,A)		VREF	A (21)	0X15 (21,A)
SPEAKER 1	0X0C (12)	0X02 (02)	0X14 (20,D)		GPIO	0	N/A
SPEAKER 2	0X0E (14)	0X04 (04)	0X16 (22,G)		GPIO	0	N/A
SPDIF OUT	N/A	0X06 (06)	0X1E (30,SPDIF)		N/A		0X1B (27,E)

CODEC INPUT SIGNAL PATHS

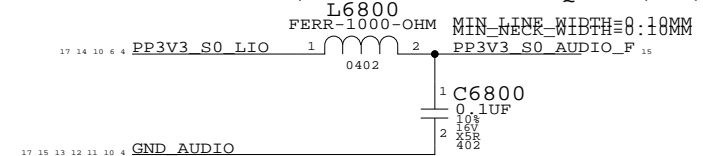
FUNCTION	MIXER	CONVERTER	PIN	COMPLEX	VREF	DET ASSIGNMENT
LINE IN	0X23 (35)	0X08 (08)	0X1A (26,C)		N/A	0X1A (26,C)
MIC IN	0X24 (36)	0X07 (08)	0X18 (24,B)		VREF	B (24,80K)
SPDIF IN	N/A	0X0A (10)	0X1F (31,SPDIF)		N/A	N/A



MIC INPUT CIRCUITRY



PLACE L6800/C6800 CLOSE TO Q6800/01/02/03



AUDIO: JACK TRANSLATORS

SYNC\_MASTER=M76\_AUDIO SYNC\_DATE=02/05/2007

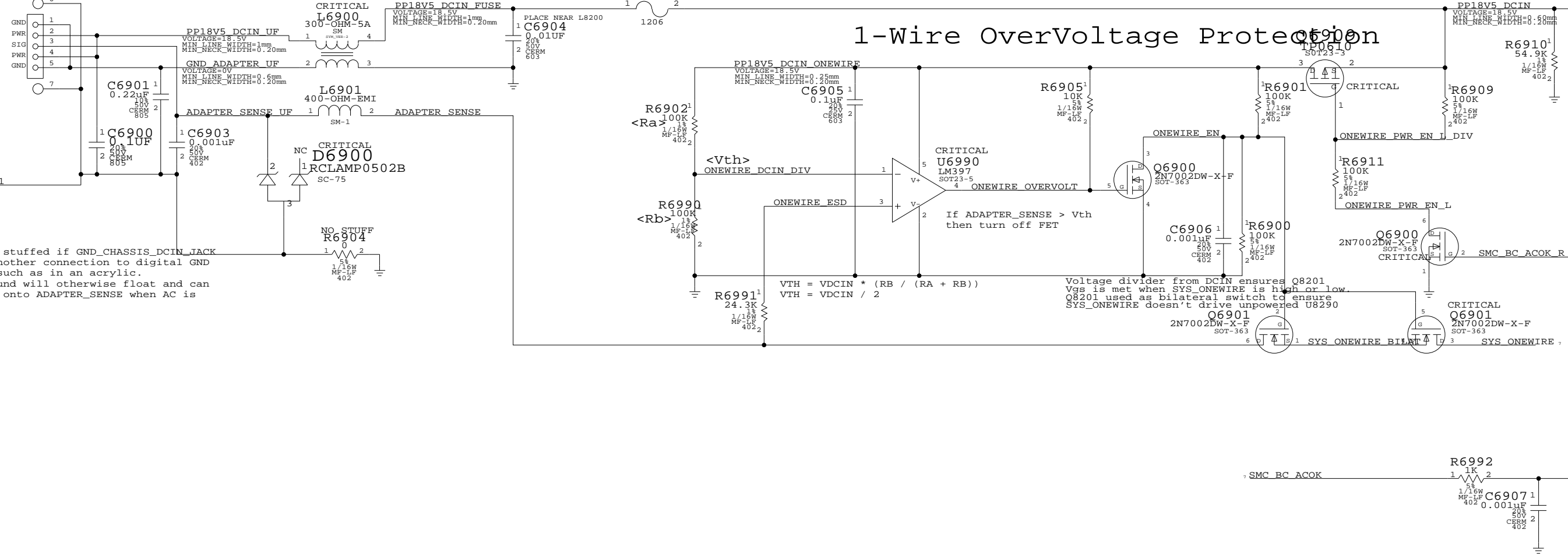
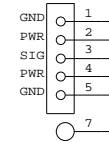
NOTICE OF PROPRIETARY PROPERTY

THE INFORMATION CONTAINED HEREIN IS THE PROPRIETARY PROPERTY OF APPLE COMPUTER, INC. THE POSSESSOR AGREES TO THE FOLLOWING  
 I TO MAINTAIN THE DOCUMENT IN CONFIDENCE  
 II NOT TO REPRODUCE OR COPY IT  
 III NOT TO REVEAL OR PUBLISH IN WHOLE OR PART

APPLE COMPUTER INC.	SIZE	DRAWING NUMBER	REV.
	D	051-7268	03
SCALE	SHT		15 OF 24
NONE			

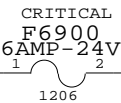
# DC Power Jack

CRITICAL  
J6900  
MEM  
F-RT-TH-MG3



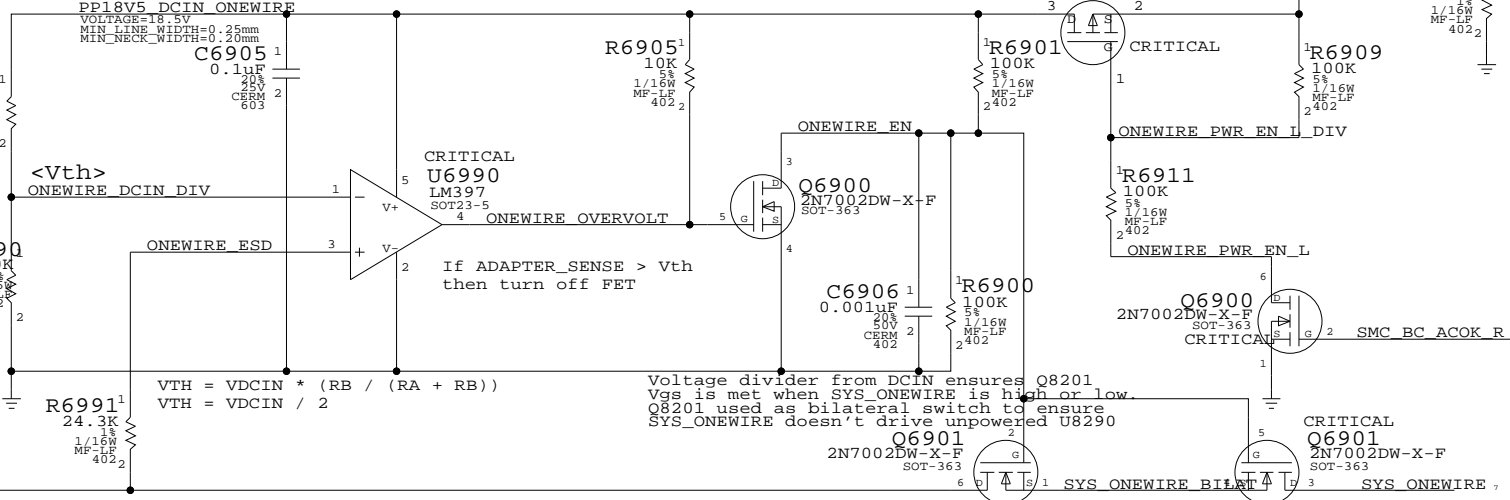
R8204 should be stuffed if GND\_CHASSIS\_DCIN\_JACK does not have another connection to digital GND in the system, such as in an acrylic. The chassis ground will otherwise float and can send transients onto ADAPTER\_SENSE when AC is connected.

CRITICAL  
F6900  
6AMP-24V



Q8209 restricts system load to 10K-70K window until adapter detects system and enables 16.5V output.

## 1-Wire OverVoltage Protection



$V_{TH} = V_{DCIN} * (R_B / (R_A + R_B))$   
 $V_{TH} = V_{DCIN} / 2$

Voltage divider from DCIN ensures Q8201 Vgs is met when SYS\_ONEWIRE is high or low. Q8201 used as Bilateral switch to ensure SYS\_ONEWIRE doesn't drive unpowered U8290

### DC-In & Battery Connectors

SYNC\_MASTER=M76\_LIO SYNC\_DATE=11/27/2006

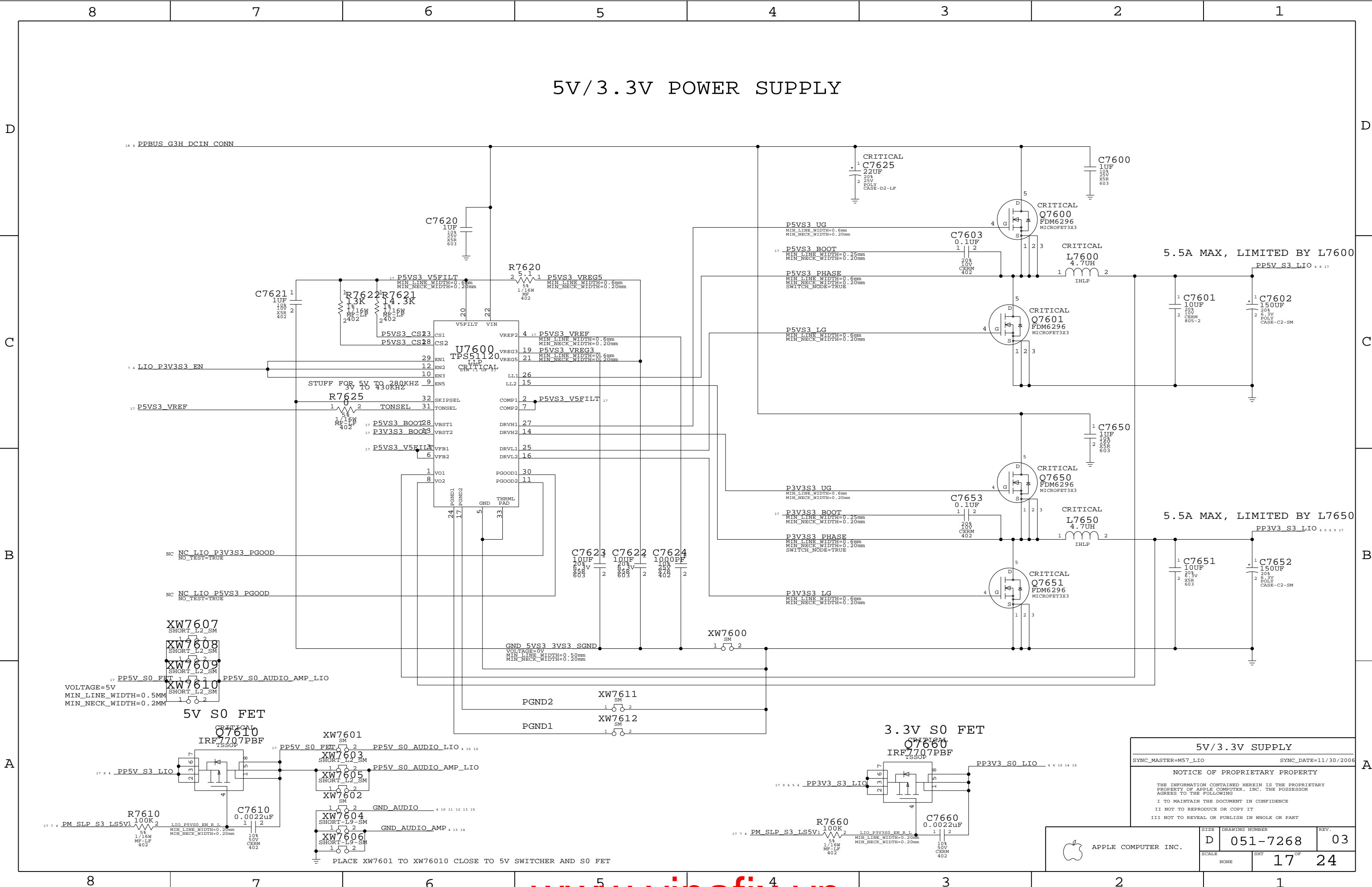
NOTICE OF PROPRIETARY PROPERTY

THE INFORMATION CONTAINED HEREIN IS THE PROPRIETARY PROPERTY OF APPLE COMPUTER, INC. THE POSSESSOR AGREES TO THE FOLLOWING:  
I TO MAINTAIN THE DOCUMENT IN CONFIDENCE  
II NOT TO REPRODUCE OR COPY IT  
III NOT TO REVEAL OR PUBLISH IN WHOLE OR PART

APPLE COMPUTER INC.	SIZE	D	DRAWING NUMBER	051-7268	REV.	03
	SCALE	NONE	SHT	16	OF	24



# 5V/3.3V POWER SUPPLY



**5V/3.3V SUPPLY**  
 SYNC\_MASTER=M57\_LIO SYNC\_DATE=11/30/2006  
**NOTICE OF PROPRIETARY PROPERTY**  
 THE INFORMATION CONTAINED HEREIN IS THE PROPRIETARY PROPERTY OF APPLE COMPUTER, INC. THE POSSESSOR AGREES TO THE FOLLOWING  
 I TO MAINTAIN THE DOCUMENT IN CONFIDENCE  
 II NOT TO REPRODUCE OR COPY IT  
 III NOT TO REVEAL OR PUBLISH IN WHOLE OR PART

APPLE COMPUTER INC.	SIZE	DRAWING NUMBER	REV.
	D	051-7268	03
SCALE	SHEET		OF
NONE	17		24

8

7

6

5

4

3

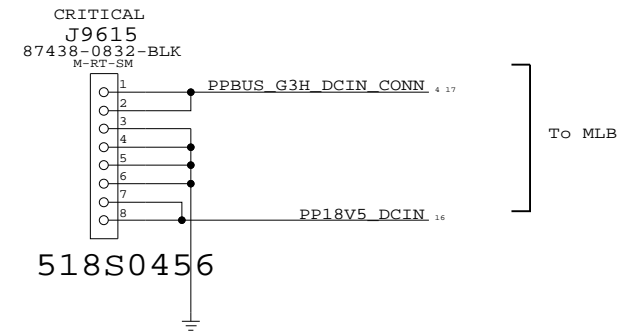
2

1

D

D

# Left I/O Power Connector



C

C

B

B

A

A

## LEFT I/O POWER CONNECTOR

SYNC\_MASTER=M76\_LIO SYNC\_DATE=11/27/2006

### NOTICE OF PROPRIETARY PROPERTY

THE INFORMATION CONTAINED HEREIN IS THE PROPRIETARY PROPERTY OF APPLE COMPUTER, INC. THE POSSESSOR AGREES TO THE FOLLOWING

I TO MAINTAIN THE DOCUMENT IN CONFIDENCE

II NOT TO REPRODUCE OR COPY IT

III NOT TO REVEAL OR PUBLISH IN WHOLE OR PART

APPLE COMPUTER INC.	SIZE	DRAWING NUMBER	REV.
	D	051-7268	03
SCALE	SHT		
NONE	18 OF		24

8

7

6

5

4

3

2

1

	8	7	6	5	4	3	2	1
	<p>Title: Basenet Report            Design: sync            Date: Nov 17 19:00:01 2006</p> <p>Base nets and synonyms for sync_lib.SYNC(@sync_lib.sync(sch_1))</p> <p>Base Signal Synonyms Location([Zone][dir])</p>				<p>UT1 @sync_lib.SYNC            PP5V_S3_USB_SWITCH_O PP5V_S3_USB_SWITCH_OUT2 - 8D5            UT2 @sync_lib.SYNC            PP18V5_DCIN PP18V5_DCIN - @sync_lib.SYNC 10D1 12C4            PP18V5_DCIN_FUSE PP18V5_DCIN_FUSE - @sync_lib.SYNC 10D6            PP18V5_DCIN_ONEWIRE PP18V5_DCIN_ONEWIRE - 10D5</p>			
D	<p>=EXCARD_CLKREQ_L =EXCARD_CLKREQ_L - @sync_lib.SYNC 4C5 7C6            EXCARD_CLKREQ_L = @sync_lib.SYNC 4C3 6B2            =EXCARD_OC_L =EXCARD_OC_L - @sync_lib.SYNC 4C5 7C6            EXCARD_OC_L = @sync_lib.SYNC 4C4 6C7            =GND_AUDIO =GND_AUDIO - @sync_lib.SYNC 4A8            =GND_AUDIO_CODEC =GND_AUDIO_CODEC - @sync_lib.SYNC 4A7 11A6            GND_AUDIO = @sync_lib.SYNC 4A7            =GND_AUDIO_CODEC =GND_AUDIO_CODEC - @sync_lib.SYNC 4A7 11A6            =GND_AUDIO_AMP =GND_AUDIO_AMP - @sync_lib.SYNC 4B8 11A6            GND_AUDIO_AMP = @sync_lib.SYNC 4B7            =GND_CHASSIS_AUDIO_JACK =GND_CHASSIS_AUDIO_JACK - 4A7            @sync_lib.SYNC            =GND_CHASSIS_PCIE_EXCARD_LEFT =GND_CHASSIS_PCIE_EXCARD_LEFT - 4A6 6B1 6D3            @sync_lib.SYNC            CHASSIS_GND2 = @sync_lib.SYNC 4A8            =GND_CHASSIS_PCIE_EXCARD_LEFT =GND_CHASSIS_PCIE_EXCARD_LEFT - 4A6 6B1 6D3            @sync_lib.SYNC            =GND_CHASSIS_AUDIO_MIC =GND_CHASSIS_AUDIO_MIC - 4A7            @sync_lib.SYNC            =GND_CHASSIS_AUDIO_SPKRCONN =GND_CHASSIS_AUDIO_SPKRCONN - 4A6            @sync_lib.SYNC            CHASSIS_GND3 = @sync_lib.SYNC 4A8            =GND_CHASSIS_DCIN_JACK =GND_CHASSIS_DCIN_JACK - 4A7 10C8            @sync_lib.SYNC            CHASSIS_GND1 = @sync_lib.SYNC 4A8            =GND_CHASSIS_LTUSB =GND_CHASSIS_LTUSB - @sync_lib.SYNC 4A7 8A2 8C2            CHASSIS_GND1 = @sync_lib.SYNC 4A8            =GND_CHASSIS_LTUSB =GND_CHASSIS_LTUSB - @sync_lib.SYNC 4A7 8A2 8C2            =GND_CHASSIS_LIO_FLEX =GND_CHASSIS_LIO_FLEX - 4A7 7B3            @sync_lib.SYNC            =GND_CHASSIS_PCIE_EXCARD_RIGHT =GND_CHASSIS_PCIE_EXCARD_RIGHT - 4A6 6B2            @sync_lib.SYNC            CHASSIS_GND4 = @sync_lib.SYNC 4A8            =GND_CHASSIS_PCIE_EXCARD_RIGHT =GND_CHASSIS_PCIE_EXCARD_RIGHT - 4A6 6B2            @sync_lib.SYNC            =LIO_P3V3S0_EN_L =LIO_P3V3S0_EN_L - @sync_lib.SYNC 4C4 7C6 11A4            =LIO_P5V50_EN_L =LIO_P5V50_EN_L - @sync_lib.SYNC 4C3 11A8            PM_SLP_S3_LS5V = @sync_lib.SYNC 4C3            =LIO_P3V3S3_EN =LIO_P3V3S3_EN - @sync_lib.SYNC 4C4 7C6 11C8            LIO_P3V3S3_EN = @sync_lib.SYNC 4C3            =LT2USB_OC_L =LT2USB_OC_L - @sync_lib.SYNC 4A3 7C6            USB_LEFT2_OC_L = @sync_lib.SYNC 4A5 8B8            =LTUSB_OC_L =LTUSB_OC_L - @sync_lib.SYNC 4B3 7C6            USB_LEFT_OC_L = @sync_lib.SYNC 4B5 8B8            =MINI_CLKREQ_L =MINI_CLKREQ_L - @sync_lib.SYNC 4B5 7C6            MINI_CLKREQ_L = @sync_lib.SYNC 4B4 5C6            =PCIE_CLK100M_EXCARD_N =PCIE_CLK100M_EXCARD_N - 4D5 7B1            @sync_lib.SYNC            PCIE_CLK100M_EXCARD_N = @sync_lib.SYNC 4D2 6C3            =PCIE_CLK100M_EXCARD_P =PCIE_CLK100M_EXCARD_P - 4D5 7B1            @sync_lib.SYNC            PCIE_CLK100M_EXCARD_P = @sync_lib.SYNC 4D2 6C3            =PCIE_CLK100M_MINI_N =PCIE_CLK100M_MINI_N - 4B5 7C1            @sync_lib.SYNC            PCIE_CLK100M_MINI_N = @sync_lib.SYNC 4B2 5C6            =PCIE_CLK100M_MINI_P =PCIE_CLK100M_MINI_P - 4B5 7C1            @sync_lib.SYNC            PCIE_CLK100M_MINI_P = @sync_lib.SYNC 4B2 5C6            =PCIE_EXCARD_D2R_N =PCIE_EXCARD_D2R_N - @sync_lib.SYNC 4D5 7B3            PCIE_EXCARD_D2R_N = @sync_lib.SYNC 4D2 6C3            =PCIE_EXCARD_D2R_P =PCIE_EXCARD_D2R_P - @sync_lib.SYNC 4D5 7B3            PCIE_EXCARD_D2R_P = @sync_lib.SYNC 4D2 6C3            =PCIE_EXCARD_R2D_N =PCIE_EXCARD_R2D_N - @sync_lib.SYNC 4D5 7B3            PCIE_EXCARD_R2D_N = @sync_lib.SYNC 4D2 6C3            =PCIE_EXCARD_R2D_P =PCIE_EXCARD_R2D_P - @sync_lib.SYNC 4D5 7B3            PCIE_EXCARD_R2D_P = @sync_lib.SYNC 4D2 6C3            =PCIE_MINI_D2R_N =PCIE_MINI_D2R_N - @sync_lib.SYNC 4B5 7C3            PCIE_MINI_D2R_N = @sync_lib.SYNC 4B2 5C6            =PCIE_MINI_D2R_P =PCIE_MINI_D2R_P - @sync_lib.SYNC 4B5 7C3            PCIE_MINI_D2R_P = @sync_lib.SYNC 4B2 5C6            =PCIE_MINI_R2D_N =PCIE_MINI_R2D_N - @sync_lib.SYNC 4B5 7C3            PCIE_MINI_R2D_N = @sync_lib.SYNC 4B2 5C6            =PCIE_MINI_R2D_P =PCIE_MINI_R2D_P - @sync_lib.SYNC 4C5 7C3            PCIE_MINI_R2D_P = @sync_lib.SYNC 4C2 5B6            =PP1V5_S0_EXCARD =PP1V5_S0_EXCARD - @sync_lib.SYNC 4C6 6C7 6C8            PP1V5_S0_EXCARD = @sync_lib.SYNC 4D8 7B3            =PP1V5_S0_MINI =PP1V5_S0_MINI - @sync_lib.SYNC 4D7 5C2            PP1V5_S0_MINI = @sync_lib.SYNC 4D7            =PP1V5_S0_LIO =PP1V5_S0_LIO - @sync_lib.SYNC 4D7 5C2            PP1V5_S0_LIO = @sync_lib.SYNC 4D8 7B3            =PP3V3_S0_AUDIO =PP3V3_S0_AUDIO - @sync_lib.SYNC 4C6            =PP3V3_S0_EXCARD =PP3V3_S0_EXCARD - @sync_lib.SYNC 4C6 6B4 6C7            PP3V3_S0_EXCARD = @sync_lib.SYNC 4C8 11A2            =PP3V3_S0_FET =PP3V3_S0_FET - @sync_lib.SYNC 4C6 5D2            PP3V3_S0_FET = @sync_lib.SYNC 4C7            =PP3V3_S0_LIO =PP3V3_S0_LIO - @sync_lib.SYNC 4C6 5D2            PP3V3_S0_LIO = @sync_lib.SYNC 4C8 11A2 11B1            =PP3V3_S3_EXCARD =PP3V3_S3_EXCARD - @sync_lib.SYNC 4C6 6B4 6C7            PP3V3_S3_EXCARD = @sync_lib.SYNC 4C6 6B8 6C7 6C8            =PP3V3_S3_LFTALS =PP3V3_S3_LFTALS - @sync_lib.SYNC 4C6 9D6            PP3V3_S3_LFTALS = @sync_lib.SYNC 4C6 9B4            =PP3V3_S3_LFTALS_TEMP =PP3V3_S3_LFTALS_TEMP - 4C8 11A4 11B1            PP3V3_S3_LFTALS_TEMP = @sync_lib.SYNC 4C6 5C2            =PP3V3_S3_MINI =PP3V3_S3_MINI - @sync_lib.SYNC 4C7            PP3V3_S3_MINI = @sync_lib.SYNC 4C8 11A4 11B1            =PP3V3_S3_REG =PP3V3_S3_REG - @sync_lib.SYNC 4C7 8B8            PP3V3_S3_REG = @sync_lib.SYNC 4C7 8B8            =PP3V3_S3_LTIOS =PP3V3_S3_LTIOS - @sync_lib.SYNC 4C7</p>	<p>=PP5V_S3_REG = @sync_lib.SYNC 4C8 11C1            =PP5V_S3_LTUSB =PP5V_S3_LTUSB - @sync_lib.SYNC 4C7 8B8            =PPBUS_G3H_DCIN_CONN =PPBUS_G3H_DCIN_CONN - 4D8 12C4            @sync_lib.SYNC            =PPVIN_5V3V3 =PPVIN_5V3V3 - @sync_lib.SYNC 4D6 11D8            PPBUS_G3H_DCIN_CONN = @sync_lib.SYNC 4D7            =SMBUS_ALSTEMP_SCL =SMBUS_ALSTEMP_SCL - @sync_lib.SYNC 4D6 11D8            =SMBUS_MINI_SCL =SMBUS_MINI_SCL - @sync_lib.SYNC 4A2 5B3            SMBUS_SMC_SCL = @sync_lib.SYNC 4A3 7B3            =SMBUS_MINI_SDA =SMBUS_MINI_SDA - @sync_lib.SYNC 4A2 5B3            =SMBUS_ALSTEMP_SDA =SMBUS_ALSTEMP_SDA - @sync_lib.SYNC 4A4 9A6            =SMBUS_MINI_SDA =SMBUS_MINI_SDA - @sync_lib.SYNC 4A4 5B3            SMBUS_SMC_SDA = @sync_lib.SYNC 4A5 7B3            =SMBUS_MINI_SDA =SMBUS_MINI_SDA - @sync_lib.SYNC 4A4 5B3            =SMBUS_EXCARD_SCL =SMBUS_EXCARD_SCL - @sync_lib.SYNC 4A2 6C3            =SMBUS_EXCARD_SDA =SMBUS_EXCARD_SDA - @sync_lib.SYNC 4A4 6C3            SMBUS_SB_SDA = @sync_lib.SYNC 4A5 7B6            =USB2_EXCARD_N =USB2_EXCARD_N - @sync_lib.SYNC 4D5 7C3            USB2_EXCARD_N = @sync_lib.SYNC 4D2 6C3            =USB2_EXCARD_P =USB2_EXCARD_P - @sync_lib.SYNC 4D5 7C3            USB2_EXCARD_P = @sync_lib.SYNC 4D2 6C3            =USB2_LT2_N =USB2_LT2_N - @sync_lib.SYNC 4B3 7C3            USB_LEFT2_N = @sync_lib.SYNC 4B5 8C5            =USB2_LT2_P =USB2_LT2_P - @sync_lib.SYNC 4B3 7C3            USB_LEFT2_P = @sync_lib.SYNC 4B5 8C5            =USB2_LT_N =USB2_LT_N - @sync_lib.SYNC 4B3 7C3            USB_LEFT_N = @sync_lib.SYNC 4B5 8B5            =USB2_LT_P =USB2_LT_P - @sync_lib.SYNC 4B3 7C3            USB_LEFT_P = @sync_lib.SYNC 4B5 8B5            AC2_BITCLK AC2_BITCLK - @sync_lib.SYNC 7B6            AC2_RST_L AC2_RST_L - @sync_lib.SYNC 7B6            AC2_SDATAIN&lt;0&gt; AC2_SDATAIN&lt;0&gt; - @sync_lib.SYNC 7B6            AC2_SDATAOUT AC2_SDATAOUT - @sync_lib.SYNC 7B6            AC2_SYNC AC2_SYNC - @sync_lib.SYNC 7B6            ADAPTER_SENSE ADAPTER_SENSE - @sync_lib.SYNC 10D6            ADAPTER_SENSE_UP ADAPTER_SENSE_UP - @sync_lib.SYNC 10D7            EC_HOLE1 EC_HOLE1 - @sync_lib.SYNC 6D3            EC_HOLE2 EC_HOLE2 - @sync_lib.SYNC 6B2            EXCARD_CLKREQ_CONN EXCARD_CLKREQ_CONN - @sync_lib.SYNC 6B3            EXCARD_CLKREQ_CONN_L EXCARD_CLKREQ_CONN_L - 6A4 6C3            @sync_lib.SYNC            EXCARD_CPPE_L EXCARD_CPPE_L - @sync_lib.SYNC 6A8 6C3 6C3            EXCARD_CPURE_L EXCARD_CPURE_L - @sync_lib.SYNC 6A8 6C3 6C3            EXCARD_RCLKEN EXCARD_RCLKEN - @sync_lib.SYNC 6B3 6C5            EXCARD_SHDN_L_R EXCARD_SHDN_L_R - @sync_lib.SYNC 6C5            GND_5V3_3V33_SGND GND_5V3_3V33_SGND - @sync_lib.SYNC 11A6            GND_ADAPTER_UP GND_ADAPTER_UP - @sync_lib.SYNC 10D7            LEFT_ALS_GAIN_SW LEFT_ALS_GAIN_SW - @sync_lib.SYNC 7C6 9C4            LEFT_ALS_GAIN_SW_R LEFT_ALS_GAIN_SW_R - @sync_lib.SYNC 9C5            LEFT_ALS_OP_COMP LEFT_ALS_OP_COMP - @sync_lib.SYNC 9C6            LEFT_ALS_OP_IN LEFT_ALS_OP_IN - @sync_lib.SYNC 9C5            LEFT_ALS_OUT LEFT_ALS_OUT - @sync_lib.SYNC 7C6 9C4            LEFT_ALS_OUT_FB LEFT_ALS_OUT_FB - @sync_lib.SYNC 9C5            LEFT_GAIN_SETTING LEFT_GAIN_SETTING - @sync_lib.SYNC 9C5            LEFT_PHOTODIODE LEFT_PHOTODIODE - @sync_lib.SYNC 9C6            LIO_P3V3S0_EN_R_L LIO_P3V3S0_EN_R_L - @sync_lib.SYNC 11A3            LIO_P5V50_EN_R_L LIO_P5V50_EN_R_L - @sync_lib.SYNC 11A8            LIO_PLT_RESET_L LIO_PLT_RESET_L - @sync_lib.SYNC 4C3 7C6            PLT_RESET_L = @sync_lib.SYNC 4C4 5C3 6C7            NC_LED_WLAN_L NC_LED_WLAN_L - @sync_lib.SYNC 5B3            NC_LED_WLAN_P NC_LED_WLAN_P - @sync_lib.SYNC 5B3            NC_LED_WWAN_L NC_LED_WWAN_L - @sync_lib.SYNC 5B3            NC_LIO_P3V3S3_PGOOD NC_LIO_P3V3S3_PGOOD - 11B7            @sync_lib.SYNC            NC_LIO_P5V33_PGOOD NC_LIO_P5V33_PGOOD - @sync_lib.SYNC 11B7            NC_UIM_CLK NC_UIM_CLK - @sync_lib.SYNC 5C3            NC_UIM_DATA NC_UIM_DATA - @sync_lib.SYNC 5C3            NC_UIM_PWR NC_UIM_PWR - @sync_lib.SYNC 5C3            NC_UIM_RESET NC_UIM_RESET - @sync_lib.SYNC 5C3            NC_UIM_VFP NC_UIM_VFP - @sync_lib.SYNC 5C3            NC_W_DISABLE_L NC_W_DISABLE_L - @sync_lib.SYNC 5C3            ONEWIRE_DCIN_DIV ONEWIRE_DCIN_DIV - @sync_lib.SYNC 10C5            ONEWIRE_EN ONEWIRE_EN - @sync_lib.SYNC 10C3            ONEWIRE_ESD ONEWIRE_ESD - @sync_lib.SYNC 10C4            ONEWIRE_OVERVOLT ONEWIRE_OVERVOLT - @sync_lib.SYNC 10C4            ONEWIRE_PWR_EN_L ONEWIRE_PWR_EN_L - @sync_lib.SYNC 10C2            ONEWIRE_PWR_EN_L_DIV ONEWIRE_PWR_EN_L_DIV - 10D2            @sync_lib.SYNC            P3V3S3_BOOT P3V3S3_BOOT - @sync_lib.SYNC 11B4 11B6            P3V3S3_LG P3V3S3_LG - @sync_lib.SYNC 11B4            P3V3S3_PHASE P3V3S3_PHASE - @sync_lib.SYNC 11B4            P3V3S3_UG P3V3S3_UG - @sync_lib.SYNC 11B4            P3V3S3_V02 P3V3S3_V02 - @sync_lib.SYNC 11B6            P3V3S3_BOOT P3V3S3_BOOT - @sync_lib.SYNC 11C4 11C6            P3V3S3_CS1 P3V3S3_CS1 - @sync_lib.SYNC 11C6            P3V3S3_CS2 P3V3S3_CS2 - @sync_lib.SYNC 11C6            P3V3S3_LG P3V3S3_LG - @sync_lib.SYNC 11C4            P3V3S3_PHASE P3V3S3_PHASE - @sync_lib.SYNC 11C4            P3V3S3_UG P3V3S3_UG - @sync_lib.SYNC 11C4            P3V3S3_V5FILT P3V3S3_V5FILT - @sync_lib.SYNC 11B6 11C5 11C6            P3V3S3_V01 P3V3S3_V01 - @sync_lib.SYNC 11B6            P3V3S3_VREF P3V3S3_VREF - @sync_lib.SYNC 11C5 11C8            P3V3S3_VREG3 P3V3S3_VREG3 - @sync_lib.SYNC 11C5            P3V3S3_VREG5 P3V3S3_VREG5 - @sync_lib.SYNC 11C5            PCIE_CLK100M_EXCARD_PCIE_CLK100M_EXCARD_UP_N - 7C4            UP_N = @sync_lib.SYNC            PCIE_CLK100M_EXCARD_PCIE_CLK100M_EXCARD_UP_P - 7B4            UP_P = @sync_lib.SYNC            PCIE_CLK100M_MINI_UP_PCIE_CLK100M_MINI_UP_N - 7C4            _N = @sync_lib.SYNC            PCIE_CLK100M_MINI_UP_PCIE_CLK100M_MINI_UP_P - 7C4            _P = @sync_lib.SYNC            PCIE_WAKE_EXCARD_L PCIE_WAKE_EXCARD_L - @sync_lib.SYNC 4C3 6C3            PCIE_WAKE_L PCIE_WAKE_L - @sync_lib.SYNC 4C4 7C6            PCIE_WAKE_MINI_L PCIE_WAKE_MINI_L - @sync_lib.SYNC 4C3 5C6            PCIE_WAKE_N PCIE_WAKE_N - @sync_lib.SYNC 4C4 7C6            PGND1 PGND1 - @sync_lib.SYNC 11B6            PGND2 PGND2 - @sync_lib.SYNC 11B6            PLT_RESET_SWITCH_L PLT_RESET_SWITCH_L - @sync_lib.SYNC 6C3 6C3            PP1V5_S0_EXCARD_SWIT PP1V5_S0_EXCARD_SWIT - 6C3 6C3            CH = @sync_lib.SYNC            PP3V3_S0_EXCARD_SWIT PP3V3_S0_EXCARD_SWIT - 6C3 6C3            CH = @sync_lib.SYNC            PP3V3_S3_EXCARD_SWIT PP3V3_S3_EXCARD_SWIT - 6C3 6C3            CH = @sync_lib.SYNC            PP5V_PWRON_USB_LEFT2 PP5V_PWRON_USB_LEFT2 - 8D4            _EMI = @sync_lib.SYNC            PP5V_PWRON_USB_LEFT_PP5V_PWRON_USB_LEFT_EMI - 8B4            EMI = @sync_lib.SYNC            PP5V_S0_FET PP5V_S0_FET - @sync_lib.SYNC 11A7            PP5V_S3_USB_SWITCH_O PP5V_S3_USB_SWITCH_OUT1 - 8B5</p>						
C	<p>=GND_CHASSIS_AUDIO_S @sync_lib.SYNC            =GND_CHASSIS_DCIN_JACK @sync_lib.SYNC            =GND_CHASSIS_PCIE_EXCARD_LEFT @sync_lib.SYNC            =GND_CHASSIS_PCIE_EXCARD_RIGHT @sync_lib.SYNC            =LIO_P3V3S0_EN_L @sync_lib.SYNC            =LIO_P5V50_EN_L @sync_lib.SYNC            =LT2USB_OC_L @sync_lib.SYNC            =LTUSB_OC_L @sync_lib.SYNC            =MINI_CLKREQ_L @sync_lib.SYNC            =PCIE_CLK100M_EXCARD_N @sync_lib.SYNC            =PCIE_CLK100M_EXCARD_P @sync_lib.SYNC            =PCIE_CLK100M_MINI_N @sync_lib.SYNC            =PCIE_CLK100M_MINI_P @sync_lib.SYNC            =PCIE_EXCARD_D2R_N @sync_lib.SYNC            =PCIE_EXCARD_D2R_P @sync_lib.SYNC            =PCIE_EXCARD_R2D_N @sync_lib.SYNC            =PCIE_EXCARD_R2D_P @sync_lib.SYNC            =PCIE_MINI_D2R_N @sync_lib.SYNC            =PCIE_MINI_D2R_P @sync_lib.SYNC            =PCIE_MINI_R2D_N @sync_lib.SYNC            =PCIE_MINI_R2D_P @sync_lib.SYNC            =PP1V5_S0_EXCARD @sync_lib.SYNC            =PP1V5_S0_MINI @sync_lib.SYNC            =PP1V5_S0_LIO @sync_lib.SYNC            =PP3V3_S0_AUDIO @sync_lib.SYNC            =PP3V3_S0_EXCARD @sync_lib.SYNC            =PP3V3_S0_FET @sync_lib.SYNC            =PP3V3_S0_LIO @sync_lib.SYNC            =PP3V3_S3_EXCARD @sync_lib.SYNC            =PP3V3_S3_LFTALS @sync_lib.SYNC            =PP3V3_S3_LFTALS_TEMP @sync_lib.SYNC            =PP3V3_S3_MINI @sync_lib.SYNC            =PP3V3_S3_REG @sync_lib.SYNC            =PP3V3_S3_LTIOS @sync_lib.SYNC</p>							
B								
A								

	8	7	6	5	4	3	2	1																																																																																																																																																																																																																																																																																																																																	
D	Title: Cref Part Report Design: sync Date: Nov 17 19:00:01 2006		<table border="1"> <tr><td>R6901</td><td>RES_402</td><td>sync[10D2]</td></tr> <tr><td>R6902</td><td>RES_402</td><td>sync[10D5]</td></tr> <tr><td>R6904</td><td>RES_402</td><td>sync[10C6]</td></tr> <tr><td>R6905</td><td>RES_402</td><td>sync[10D3]</td></tr> <tr><td>R6909</td><td>RES_402</td><td>sync[10D1]</td></tr> <tr><td>R6910</td><td>RES_402</td><td>sync[10D1]</td></tr> <tr><td>R6911</td><td>RES_402</td><td>sync[10C2]</td></tr> <tr><td>R6990</td><td>RES_402</td><td>sync[10C5]</td></tr> <tr><td>R6991</td><td>RES_402</td><td>sync[10C4]</td></tr> <tr><td>R6992</td><td>RES_402</td><td>sync[10B1]</td></tr> <tr><td>R7610</td><td>RES_402</td><td>sync[11A8]</td></tr> <tr><td>R7620</td><td>RES_402</td><td>sync[11C5]</td></tr> <tr><td>R7621</td><td>RES_402</td><td>sync[11C6]</td></tr> <tr><td>R7622</td><td>RES_402</td><td>sync[11C7]</td></tr> <tr><td>R7625</td><td>RES_402</td><td>sync[11C6]</td></tr> <tr><td>R7660</td><td>RES_402</td><td>sync[11A4]</td></tr> <tr><td>SL0800</td><td>SLOT_TH</td><td>sync[4A8]</td></tr> <tr><td>U3500</td><td>PWR_CNTRL_TPS2231_QF</td><td>sync[6C5]</td></tr> <tr><td></td><td>N</td><td></td></tr> <tr><td>U3551</td><td>MC74VHC1G00_SC70-5</td><td>sync[6A6]</td></tr> <tr><td>U3560</td><td>MC74VHC1G00_SC70-5</td><td>sync[6B2]</td></tr> <tr><td>U4600</td><td>SWI_TPS2042B_MSOP</td><td>sync[8B6]</td></tr> <tr><td>U5801</td><td>OPAMP_MAX4236EUTT_SO</td><td>sync[9C5]</td></tr> <tr><td></td><td>T23-6-LF</td><td></td></tr> <tr><td>U5802</td><td>TMP106_WCSP-6</td><td>sync[9B5]</td></tr> <tr><td>U6990</td><td>COMPARTOR_LM397_SOT</td><td>sync[10C4]</td></tr> <tr><td></td><td>23-5</td><td></td></tr> <tr><td>U7600</td><td>TPS51120_ILLP</td><td>sync[11C6]</td></tr> <tr><td>XW7600</td><td>SHORT_SM</td><td>sync[11A4]</td></tr> <tr><td>XW7601</td><td>SHORT_SM</td><td>sync[11A7]</td></tr> <tr><td>XW7602</td><td>SHORT_SM</td><td>sync[11A7]</td></tr> <tr><td>XW7603</td><td>SHORT_SM</td><td>sync[11A7]</td></tr> <tr><td>XW7604</td><td>SHORT_SM</td><td>sync[11A7]</td></tr> <tr><td>XW7605</td><td>SHORT_SM</td><td>sync[11A7]</td></tr> <tr><td>XW7606</td><td>SHORT_SM</td><td>sync[11A7]</td></tr> <tr><td>XW7607</td><td>SHORT_SM</td><td>sync[11B6]</td></tr> <tr><td>XW7608</td><td>SHORT_SM</td><td>sync[11B6]</td></tr> <tr><td>XW7609</td><td>SHORT_SM</td><td>sync[11A2]</td></tr> <tr><td>XW7610</td><td>SHORT_SM</td><td>sync[11A2]</td></tr> <tr><td>ZH0801</td><td>MTGHOLE</td><td>sync[4A8]</td></tr> <tr><td>ZH0802</td><td>MTGHOLE</td><td>sync[4A8]</td></tr> <tr><td>ZH0803</td><td>MTGHOLE</td><td>sync[4A8]</td></tr> <tr><td>ZH0804</td><td>MTGHOLE</td><td>sync[4A8]</td></tr> </table>						R6901	RES_402	sync[10D2]	R6902	RES_402	sync[10D5]	R6904	RES_402	sync[10C6]	R6905	RES_402	sync[10D3]	R6909	RES_402	sync[10D1]	R6910	RES_402	sync[10D1]	R6911	RES_402	sync[10C2]	R6990	RES_402	sync[10C5]	R6991	RES_402	sync[10C4]	R6992	RES_402	sync[10B1]	R7610	RES_402	sync[11A8]	R7620	RES_402	sync[11C5]	R7621	RES_402	sync[11C6]	R7622	RES_402	sync[11C7]	R7625	RES_402	sync[11C6]	R7660	RES_402	sync[11A4]	SL0800	SLOT_TH	sync[4A8]	U3500	PWR_CNTRL_TPS2231_QF	sync[6C5]		N		U3551	MC74VHC1G00_SC70-5	sync[6A6]	U3560	MC74VHC1G00_SC70-5	sync[6B2]	U4600	SWI_TPS2042B_MSOP	sync[8B6]	U5801	OPAMP_MAX4236EUTT_SO	sync[9C5]		T23-6-LF		U5802	TMP106_WCSP-6	sync[9B5]	U6990	COMPARTOR_LM397_SOT	sync[10C4]		23-5		U7600	TPS51120_ILLP	sync[11C6]	XW7600	SHORT_SM	sync[11A4]	XW7601	SHORT_SM	sync[11A7]	XW7602	SHORT_SM	sync[11A7]	XW7603	SHORT_SM	sync[11A7]	XW7604	SHORT_SM	sync[11A7]	XW7605	SHORT_SM	sync[11A7]	XW7606	SHORT_SM	sync[11A7]	XW7607	SHORT_SM	sync[11B6]	XW7608	SHORT_SM	sync[11B6]	XW7609	SHORT_SM	sync[11A2]	XW7610	SHORT_SM	sync[11A2]	ZH0801	MTGHOLE	sync[4A8]	ZH0802	MTGHOLE	sync[4A8]	ZH0803	MTGHOLE	sync[4A8]	ZH0804	MTGHOLE	sync[4A8]																																																																																																																																																																																																
	R6901	RES_402	sync[10D2]																																																																																																																																																																																																																																																																																																																																						
R6902	RES_402	sync[10D5]																																																																																																																																																																																																																																																																																																																																							
R6904	RES_402	sync[10C6]																																																																																																																																																																																																																																																																																																																																							
R6905	RES_402	sync[10D3]																																																																																																																																																																																																																																																																																																																																							
R6909	RES_402	sync[10D1]																																																																																																																																																																																																																																																																																																																																							
R6910	RES_402	sync[10D1]																																																																																																																																																																																																																																																																																																																																							
R6911	RES_402	sync[10C2]																																																																																																																																																																																																																																																																																																																																							
R6990	RES_402	sync[10C5]																																																																																																																																																																																																																																																																																																																																							
R6991	RES_402	sync[10C4]																																																																																																																																																																																																																																																																																																																																							
R6992	RES_402	sync[10B1]																																																																																																																																																																																																																																																																																																																																							
R7610	RES_402	sync[11A8]																																																																																																																																																																																																																																																																																																																																							
R7620	RES_402	sync[11C5]																																																																																																																																																																																																																																																																																																																																							
R7621	RES_402	sync[11C6]																																																																																																																																																																																																																																																																																																																																							
R7622	RES_402	sync[11C7]																																																																																																																																																																																																																																																																																																																																							
R7625	RES_402	sync[11C6]																																																																																																																																																																																																																																																																																																																																							
R7660	RES_402	sync[11A4]																																																																																																																																																																																																																																																																																																																																							
SL0800	SLOT_TH	sync[4A8]																																																																																																																																																																																																																																																																																																																																							
U3500	PWR_CNTRL_TPS2231_QF	sync[6C5]																																																																																																																																																																																																																																																																																																																																							
	N																																																																																																																																																																																																																																																																																																																																								
U3551	MC74VHC1G00_SC70-5	sync[6A6]																																																																																																																																																																																																																																																																																																																																							
U3560	MC74VHC1G00_SC70-5	sync[6B2]																																																																																																																																																																																																																																																																																																																																							
U4600	SWI_TPS2042B_MSOP	sync[8B6]																																																																																																																																																																																																																																																																																																																																							
U5801	OPAMP_MAX4236EUTT_SO	sync[9C5]																																																																																																																																																																																																																																																																																																																																							
	T23-6-LF																																																																																																																																																																																																																																																																																																																																								
U5802	TMP106_WCSP-6	sync[9B5]																																																																																																																																																																																																																																																																																																																																							
U6990	COMPARTOR_LM397_SOT	sync[10C4]																																																																																																																																																																																																																																																																																																																																							
	23-5																																																																																																																																																																																																																																																																																																																																								
U7600	TPS51120_ILLP	sync[11C6]																																																																																																																																																																																																																																																																																																																																							
XW7600	SHORT_SM	sync[11A4]																																																																																																																																																																																																																																																																																																																																							
XW7601	SHORT_SM	sync[11A7]																																																																																																																																																																																																																																																																																																																																							
XW7602	SHORT_SM	sync[11A7]																																																																																																																																																																																																																																																																																																																																							
XW7603	SHORT_SM	sync[11A7]																																																																																																																																																																																																																																																																																																																																							
XW7604	SHORT_SM	sync[11A7]																																																																																																																																																																																																																																																																																																																																							
XW7605	SHORT_SM	sync[11A7]																																																																																																																																																																																																																																																																																																																																							
XW7606	SHORT_SM	sync[11A7]																																																																																																																																																																																																																																																																																																																																							
XW7607	SHORT_SM	sync[11B6]																																																																																																																																																																																																																																																																																																																																							
XW7608	SHORT_SM	sync[11B6]																																																																																																																																																																																																																																																																																																																																							
XW7609	SHORT_SM	sync[11A2]																																																																																																																																																																																																																																																																																																																																							
XW7610	SHORT_SM	sync[11A2]																																																																																																																																																																																																																																																																																																																																							
ZH0801	MTGHOLE	sync[4A8]																																																																																																																																																																																																																																																																																																																																							
ZH0802	MTGHOLE	sync[4A8]																																																																																																																																																																																																																																																																																																																																							
ZH0803	MTGHOLE	sync[4A8]																																																																																																																																																																																																																																																																																																																																							
ZH0804	MTGHOLE	sync[4A8]																																																																																																																																																																																																																																																																																																																																							
C	<table border="1"> <tr><td>C3400</td><td>CAP_402</td><td>sync[5C3]</td></tr> <tr><td>C3401</td><td>CAP_603</td><td>sync[5C3]</td></tr> <tr><td>C3410</td><td>CAP_402</td><td>sync[5C3]</td></tr> <tr><td>C3411</td><td>CAP_603</td><td>sync[5C3]</td></tr> <tr><td>C3420</td><td>CAP_402</td><td>sync[5C3]</td></tr> <tr><td>C3421</td><td>CAP_603</td><td>sync[5C3]</td></tr> <tr><td>C3500</td><td>CAP_402</td><td>sync[6C4]</td></tr> <tr><td>C3501</td><td>CAP_402</td><td>sync[6C4]</td></tr> <tr><td>C3502</td><td>CAP_402</td><td>sync[6C4]</td></tr> <tr><td>C3503</td><td>CAP_603</td><td>sync[6C4]</td></tr> <tr><td>C3504</td><td>CAP_603</td><td>sync[6C4]</td></tr> <tr><td>C3505</td><td>CAP_603</td><td>sync[6C4]</td></tr> <tr><td>C3530</td><td>CAP_402</td><td>sync[6C8]</td></tr> <tr><td>C3531</td><td>CAP_603</td><td>sync[6C7]</td></tr> <tr><td>C3534</td><td>CAP_402</td><td>sync[6C8]</td></tr> <tr><td>C3535</td><td>CAP_603</td><td>sync[6C7]</td></tr> <tr><td>C3550</td><td>CAP_402</td><td>sync[6A7]</td></tr> <tr><td>C3560</td><td>CAP_402</td><td>sync[6A3]</td></tr> <tr><td>C4600</td><td>CAP_603</td><td>sync[8B7]</td></tr> <tr><td>C4601</td><td>CAP_402</td><td>sync[8B7]</td></tr> <tr><td>C4602</td><td>CAP_603</td><td>sync[8B6]</td></tr> <tr><td>C4603</td><td>CAP_P_CASE-C2-SM</td><td>sync[8B5]</td></tr> <tr><td>C4612</td><td>CAP_603</td><td>sync[8C6]</td></tr> <tr><td>C4613</td><td>CAP_P_CASE-C2-SM</td><td>sync[8C5]</td></tr> <tr><td>C4650</td><td>CAP_603</td><td>sync[8B3]</td></tr> <tr><td>C4651</td><td>CAP_603</td><td>sync[8A3]</td></tr> <tr><td>C4660</td><td>CAP_603</td><td>sync[8D3]</td></tr> <tr><td>C4661</td><td>CAP_603</td><td>sync[8C3]</td></tr> <tr><td>C5801</td><td>CAP_402</td><td>sync[9C6]</td></tr> <tr><td>C5802</td><td>CAP_402</td><td>sync[9C5]</td></tr> <tr><td>C5803</td><td>CAP_402</td><td>sync[9D5]</td></tr> <tr><td>C5804</td><td>CAP_402</td><td>sync[9B5]</td></tr> <tr><td>C5805</td><td>CAP_402</td><td>sync[9A4]</td></tr> <tr><td>C6900</td><td>CAP_805</td><td>sync[10D7]</td></tr> <tr><td>C6901</td><td>CAP_805</td><td>sync[10D7]</td></tr> <tr><td>C6903</td><td>CAP_402</td><td>sync[10D7]</td></tr> <tr><td>C6904</td><td>CAP_603</td><td>sync[10D6]</td></tr> <tr><td>C6905</td><td>CAP_603</td><td>sync[10D4]</td></tr> <tr><td>C6906</td><td>CAP_402</td><td>sync[10C2]</td></tr> <tr><td>C6907</td><td>CAP_402</td><td>sync[10B1]</td></tr> <tr><td>C7600</td><td>CAP_603</td><td>sync[11D2]</td></tr> <tr><td>C7601</td><td>CAP_805-2</td><td>sync[11C2]</td></tr> <tr><td>C7602</td><td>CAP_P_CASE-C2-SM</td><td>sync[11C1]</td></tr> <tr><td>C7603</td><td>CAP_402</td><td>sync[11C3]</td></tr> <tr><td>C7610</td><td>CAP_402</td><td>sync[11A7]</td></tr> <tr><td>C7620</td><td>CAP_603</td><td>sync[11C6]</td></tr> <tr><td>C7621</td><td>CAP_402</td><td>sync[11C7]</td></tr> <tr><td>C7622</td><td>CAP_603</td><td>sync[11B5]</td></tr> <tr><td>C7623</td><td>CAP_603</td><td>sync[11B5]</td></tr> <tr><td>C7624</td><td>CAP_402</td><td>sync[11B5]</td></tr> <tr><td>C7625</td><td>CAP_P_CASE-D2-LF</td><td>sync[11D4]</td></tr> <tr><td>C7650</td><td>CAP_603</td><td>sync[11B2]</td></tr> <tr><td>C7651</td><td>CAP_603</td><td>sync[11B2]</td></tr> <tr><td>C7652</td><td>CAP_P_CASE-C2-SM</td><td>sync[11B1]</td></tr> <tr><td>C7653</td><td>CAP_402</td><td>sync[11B3]</td></tr> <tr><td>C7660</td><td>CAP_402</td><td>sync[11A3]</td></tr> <tr><td>D4600</td><td>DIODE_SCHOT_3P_A_SC-75</td><td>sync[8A3]</td></tr> <tr><td>D4610</td><td>DIODE_SCHOT_3P_A_SC-75</td><td>sync[8C4]</td></tr> <tr><td>D6900</td><td>DIODE_SCHOT_3P_A_SC-75</td><td>sync[10C7]</td></tr> <tr><td>F6900</td><td>FUSE_1206</td><td>sync[10D5]</td></tr> <tr><td>FL3600</td><td>FILTER_4P_1210-4SM1</td><td>sync[7C3]</td></tr> <tr><td>FL3601</td><td>FILTER_4P_1210-4SM1</td><td>sync[7B3]</td></tr> <tr><td>J3400</td><td>CON_F52RT_D2MT_SM_F-ST-SM</td><td>sync[5C5]</td></tr> <tr><td>J3500</td><td>CON_F26RT_S2MT_SM_M5_9_F-RT-SM</td><td>sync[6D2]</td></tr> <tr><td>J3600</td><td>CON_F80ST_D4MT_SM_F-ST-SM</td><td>sync[7C4]</td></tr> <tr><td>J4600</td><td>CON_F4RT_USB_S2MT_TH_F-RT-TH-USB-LFT</td><td>sync[8B2]</td></tr> <tr><td>J4610</td><td>CON_F4RT_USB_S2MT_TH_F-RT-TH-USB-LFT</td><td>sync[8C2]</td></tr> <tr><td>J6900</td><td>CON_F5RT_S2MT_TH3_F-RT-TH-MG3</td><td>sync[10D8]</td></tr> <tr><td>J9615</td><td>CON_M8RT_S_SM_M-RT-S</td><td>sync[12C5]</td></tr> <tr><td></td><td>M</td><td></td></tr> <tr><td>L3400</td><td>FILTER_4P_1210-4SM1</td><td>sync[5B2]</td></tr> <tr><td>L4600</td><td>FILTER_4P_1210-4SM1</td><td>sync[8B4]</td></tr> <tr><td>L4601</td><td>IND_0603</td><td>sync[8B4]</td></tr> <tr><td>L4610</td><td>FILTER_4P_1210-4SM1</td><td>sync[8C4]</td></tr> <tr><td>L4611</td><td>IND_0603</td><td>sync[8D4]</td></tr> <tr><td>L4650</td><td>IND_0603</td><td>sync[8A4]</td></tr> <tr><td>L4660</td><td>IND_0603</td><td>sync[8C4]</td></tr> <tr><td>L6900</td><td>FILTER_4P_SM</td><td>sync[10D6]</td></tr> <tr><td>L6901</td><td>IND_SM-1</td><td>sync[10D6]</td></tr> <tr><td>L7600</td><td>IND_IHLP</td><td>sync[11C2]</td></tr> <tr><td>L7650</td><td>IND_IHLP</td><td>sync[11B2]</td></tr> <tr><td>PDS801</td><td>PHOTODIODE_2P_TH-WTH-SPCR</td><td>sync[9C6]</td></tr> <tr><td>Q3560</td><td>TRA_2N7002_SOT23-LF</td><td>sync[6B3]</td></tr> <tr><td>Q5801</td><td>TRA_2N7002_SOT23-LF</td><td>sync[9C5]</td></tr> <tr><td>Q6900</td><td>TRA_2N7002DW_SOT-363</td><td>sync[10C1 10C3]</td></tr> <tr><td>Q6901</td><td>TRA_2N7002DW_SOT-363</td><td>sync[10C1 10C2]</td></tr> <tr><td>Q6909</td><td>TRA_TP0610_SOT23-3</td><td>sync[10D2]</td></tr> <tr><td>Q7600</td><td>TRA_FDM6296_MICROFET</td><td>sync[11C3]</td></tr> <tr><td></td><td>3X3</td><td></td></tr> <tr><td>Q7601</td><td>TRA_FDM6296_MICROFET</td><td>sync[11C3]</td></tr> <tr><td></td><td>3X3</td><td></td></tr> <tr><td>Q7610</td><td>TRA_IRF7707_TSSOP</td><td>sync[11A7]</td></tr> <tr><td>Q7650</td><td>TRA_S17212DN_PWRPK-1</td><td>sync[11B3 11B3]</td></tr> <tr><td></td><td>212-8</td><td></td></tr> <tr><td>Q7660</td><td>TRA_IRF7707_TSSOP</td><td>sync[11A3]</td></tr> <tr><td>R3500</td><td>RES_402</td><td>sync[6C6]</td></tr> <tr><td>R3560</td><td>RES_402</td><td>sync[6B3]</td></tr> <tr><td>R3561</td><td>RES_402</td><td>sync[6B3]</td></tr> <tr><td>R3570</td><td>RES_402</td><td>sync[6B2]</td></tr> <tr><td>R3571</td><td>RES_402</td><td>sync[6D3]</td></tr> <tr><td>R3600</td><td>RES_402</td><td>sync[7B4]</td></tr> <tr><td>R5801</td><td>RES_402</td><td>sync[9C6]</td></tr> <tr><td>R5802</td><td>RES_402</td><td>sync[9C6]</td></tr> <tr><td>R5803</td><td>RES_402</td><td>sync[9C5]</td></tr> <tr><td>R5804</td><td>RES_402</td><td>sync[9C5]</td></tr> <tr><td>R5805</td><td>RES_402</td><td>sync[9C5]</td></tr> <tr><td>R5806</td><td>RES_402</td><td>sync[9C4]</td></tr> <tr><td>R5807</td><td>RES_402</td><td>sync[9C4]</td></tr> <tr><td>R6900</td><td>RES_402</td><td>sync[10C2]</td></tr> </table>		C3400	CAP_402	sync[5C3]	C3401	CAP_603	sync[5C3]	C3410	CAP_402	sync[5C3]	C3411	CAP_603	sync[5C3]	C3420	CAP_402	sync[5C3]	C3421	CAP_603	sync[5C3]	C3500	CAP_402	sync[6C4]	C3501	CAP_402	sync[6C4]	C3502	CAP_402	sync[6C4]	C3503	CAP_603	sync[6C4]	C3504	CAP_603	sync[6C4]	C3505	CAP_603	sync[6C4]	C3530	CAP_402	sync[6C8]	C3531	CAP_603	sync[6C7]	C3534	CAP_402	sync[6C8]	C3535	CAP_603	sync[6C7]	C3550	CAP_402	sync[6A7]	C3560	CAP_402	sync[6A3]	C4600	CAP_603	sync[8B7]	C4601	CAP_402	sync[8B7]	C4602	CAP_603	sync[8B6]	C4603	CAP_P_CASE-C2-SM	sync[8B5]	C4612	CAP_603	sync[8C6]	C4613	CAP_P_CASE-C2-SM	sync[8C5]	C4650	CAP_603	sync[8B3]	C4651	CAP_603	sync[8A3]	C4660	CAP_603	sync[8D3]	C4661	CAP_603	sync[8C3]	C5801	CAP_402	sync[9C6]	C5802	CAP_402	sync[9C5]	C5803	CAP_402	sync[9D5]	C5804	CAP_402	sync[9B5]	C5805	CAP_402	sync[9A4]	C6900	CAP_805	sync[10D7]	C6901	CAP_805	sync[10D7]	C6903	CAP_402	sync[10D7]	C6904	CAP_603	sync[10D6]	C6905	CAP_603	sync[10D4]	C6906	CAP_402	sync[10C2]	C6907	CAP_402	sync[10B1]	C7600	CAP_603	sync[11D2]	C7601	CAP_805-2	sync[11C2]	C7602	CAP_P_CASE-C2-SM	sync[11C1]	C7603	CAP_402	sync[11C3]	C7610	CAP_402	sync[11A7]	C7620	CAP_603	sync[11C6]	C7621	CAP_402	sync[11C7]	C7622	CAP_603	sync[11B5]	C7623	CAP_603	sync[11B5]	C7624	CAP_402	sync[11B5]	C7625	CAP_P_CASE-D2-LF	sync[11D4]	C7650	CAP_603	sync[11B2]	C7651	CAP_603	sync[11B2]	C7652	CAP_P_CASE-C2-SM	sync[11B1]	C7653	CAP_402	sync[11B3]	C7660	CAP_402	sync[11A3]	D4600	DIODE_SCHOT_3P_A_SC-75	sync[8A3]	D4610	DIODE_SCHOT_3P_A_SC-75	sync[8C4]	D6900	DIODE_SCHOT_3P_A_SC-75	sync[10C7]	F6900	FUSE_1206	sync[10D5]	FL3600	FILTER_4P_1210-4SM1	sync[7C3]	FL3601	FILTER_4P_1210-4SM1	sync[7B3]	J3400	CON_F52RT_D2MT_SM_F-ST-SM	sync[5C5]	J3500	CON_F26RT_S2MT_SM_M5_9_F-RT-SM	sync[6D2]	J3600	CON_F80ST_D4MT_SM_F-ST-SM	sync[7C4]	J4600	CON_F4RT_USB_S2MT_TH_F-RT-TH-USB-LFT	sync[8B2]	J4610	CON_F4RT_USB_S2MT_TH_F-RT-TH-USB-LFT	sync[8C2]	J6900	CON_F5RT_S2MT_TH3_F-RT-TH-MG3	sync[10D8]	J9615	CON_M8RT_S_SM_M-RT-S	sync[12C5]		M		L3400	FILTER_4P_1210-4SM1	sync[5B2]	L4600	FILTER_4P_1210-4SM1	sync[8B4]	L4601	IND_0603	sync[8B4]	L4610	FILTER_4P_1210-4SM1	sync[8C4]	L4611	IND_0603	sync[8D4]	L4650	IND_0603	sync[8A4]	L4660	IND_0603	sync[8C4]	L6900	FILTER_4P_SM	sync[10D6]	L6901	IND_SM-1	sync[10D6]	L7600	IND_IHLP	sync[11C2]	L7650	IND_IHLP	sync[11B2]	PDS801	PHOTODIODE_2P_TH-WTH-SPCR	sync[9C6]	Q3560	TRA_2N7002_SOT23-LF	sync[6B3]	Q5801	TRA_2N7002_SOT23-LF	sync[9C5]	Q6900	TRA_2N7002DW_SOT-363	sync[10C1 10C3]	Q6901	TRA_2N7002DW_SOT-363	sync[10C1 10C2]	Q6909	TRA_TP0610_SOT23-3	sync[10D2]	Q7600	TRA_FDM6296_MICROFET	sync[11C3]		3X3		Q7601	TRA_FDM6296_MICROFET	sync[11C3]		3X3		Q7610	TRA_IRF7707_TSSOP	sync[11A7]	Q7650	TRA_S17212DN_PWRPK-1	sync[11B3 11B3]		212-8		Q7660	TRA_IRF7707_TSSOP	sync[11A3]	R3500	RES_402	sync[6C6]	R3560	RES_402	sync[6B3]	R3561	RES_402	sync[6B3]	R3570	RES_402	sync[6B2]	R3571	RES_402	sync[6D3]	R3600	RES_402	sync[7B4]	R5801	RES_402	sync[9C6]	R5802	RES_402	sync[9C6]	R5803	RES_402	sync[9C5]	R5804	RES_402	sync[9C5]	R5805	RES_402	sync[9C5]	R5806	RES_402	sync[9C4]	R5807	RES_402	sync[9C4]	R6900	RES_402	sync[10C2]
C3400	CAP_402	sync[5C3]																																																																																																																																																																																																																																																																																																																																							
C3401	CAP_603	sync[5C3]																																																																																																																																																																																																																																																																																																																																							
C3410	CAP_402	sync[5C3]																																																																																																																																																																																																																																																																																																																																							
C3411	CAP_603	sync[5C3]																																																																																																																																																																																																																																																																																																																																							
C3420	CAP_402	sync[5C3]																																																																																																																																																																																																																																																																																																																																							
C3421	CAP_603	sync[5C3]																																																																																																																																																																																																																																																																																																																																							
C3500	CAP_402	sync[6C4]																																																																																																																																																																																																																																																																																																																																							
C3501	CAP_402	sync[6C4]																																																																																																																																																																																																																																																																																																																																							
C3502	CAP_402	sync[6C4]																																																																																																																																																																																																																																																																																																																																							
C3503	CAP_603	sync[6C4]																																																																																																																																																																																																																																																																																																																																							
C3504	CAP_603	sync[6C4]																																																																																																																																																																																																																																																																																																																																							
C3505	CAP_603	sync[6C4]																																																																																																																																																																																																																																																																																																																																							
C3530	CAP_402	sync[6C8]																																																																																																																																																																																																																																																																																																																																							
C3531	CAP_603	sync[6C7]																																																																																																																																																																																																																																																																																																																																							
C3534	CAP_402	sync[6C8]																																																																																																																																																																																																																																																																																																																																							
C3535	CAP_603	sync[6C7]																																																																																																																																																																																																																																																																																																																																							
C3550	CAP_402	sync[6A7]																																																																																																																																																																																																																																																																																																																																							
C3560	CAP_402	sync[6A3]																																																																																																																																																																																																																																																																																																																																							
C4600	CAP_603	sync[8B7]																																																																																																																																																																																																																																																																																																																																							
C4601	CAP_402	sync[8B7]																																																																																																																																																																																																																																																																																																																																							
C4602	CAP_603	sync[8B6]																																																																																																																																																																																																																																																																																																																																							
C4603	CAP_P_CASE-C2-SM	sync[8B5]																																																																																																																																																																																																																																																																																																																																							
C4612	CAP_603	sync[8C6]																																																																																																																																																																																																																																																																																																																																							
C4613	CAP_P_CASE-C2-SM	sync[8C5]																																																																																																																																																																																																																																																																																																																																							
C4650	CAP_603	sync[8B3]																																																																																																																																																																																																																																																																																																																																							
C4651	CAP_603	sync[8A3]																																																																																																																																																																																																																																																																																																																																							
C4660	CAP_603	sync[8D3]																																																																																																																																																																																																																																																																																																																																							
C4661	CAP_603	sync[8C3]																																																																																																																																																																																																																																																																																																																																							
C5801	CAP_402	sync[9C6]																																																																																																																																																																																																																																																																																																																																							
C5802	CAP_402	sync[9C5]																																																																																																																																																																																																																																																																																																																																							
C5803	CAP_402	sync[9D5]																																																																																																																																																																																																																																																																																																																																							
C5804	CAP_402	sync[9B5]																																																																																																																																																																																																																																																																																																																																							
C5805	CAP_402	sync[9A4]																																																																																																																																																																																																																																																																																																																																							
C6900	CAP_805	sync[10D7]																																																																																																																																																																																																																																																																																																																																							
C6901	CAP_805	sync[10D7]																																																																																																																																																																																																																																																																																																																																							
C6903	CAP_402	sync[10D7]																																																																																																																																																																																																																																																																																																																																							
C6904	CAP_603	sync[10D6]																																																																																																																																																																																																																																																																																																																																							
C6905	CAP_603	sync[10D4]																																																																																																																																																																																																																																																																																																																																							
C6906	CAP_402	sync[10C2]																																																																																																																																																																																																																																																																																																																																							
C6907	CAP_402	sync[10B1]																																																																																																																																																																																																																																																																																																																																							
C7600	CAP_603	sync[11D2]																																																																																																																																																																																																																																																																																																																																							
C7601	CAP_805-2	sync[11C2]																																																																																																																																																																																																																																																																																																																																							
C7602	CAP_P_CASE-C2-SM	sync[11C1]																																																																																																																																																																																																																																																																																																																																							
C7603	CAP_402	sync[11C3]																																																																																																																																																																																																																																																																																																																																							
C7610	CAP_402	sync[11A7]																																																																																																																																																																																																																																																																																																																																							
C7620	CAP_603	sync[11C6]																																																																																																																																																																																																																																																																																																																																							
C7621	CAP_402	sync[11C7]																																																																																																																																																																																																																																																																																																																																							
C7622	CAP_603	sync[11B5]																																																																																																																																																																																																																																																																																																																																							
C7623	CAP_603	sync[11B5]																																																																																																																																																																																																																																																																																																																																							
C7624	CAP_402	sync[11B5]																																																																																																																																																																																																																																																																																																																																							
C7625	CAP_P_CASE-D2-LF	sync[11D4]																																																																																																																																																																																																																																																																																																																																							
C7650	CAP_603	sync[11B2]																																																																																																																																																																																																																																																																																																																																							
C7651	CAP_603	sync[11B2]																																																																																																																																																																																																																																																																																																																																							
C7652	CAP_P_CASE-C2-SM	sync[11B1]																																																																																																																																																																																																																																																																																																																																							
C7653	CAP_402	sync[11B3]																																																																																																																																																																																																																																																																																																																																							
C7660	CAP_402	sync[11A3]																																																																																																																																																																																																																																																																																																																																							
D4600	DIODE_SCHOT_3P_A_SC-75	sync[8A3]																																																																																																																																																																																																																																																																																																																																							
D4610	DIODE_SCHOT_3P_A_SC-75	sync[8C4]																																																																																																																																																																																																																																																																																																																																							
D6900	DIODE_SCHOT_3P_A_SC-75	sync[10C7]																																																																																																																																																																																																																																																																																																																																							
F6900	FUSE_1206	sync[10D5]																																																																																																																																																																																																																																																																																																																																							
FL3600	FILTER_4P_1210-4SM1	sync[7C3]																																																																																																																																																																																																																																																																																																																																							
FL3601	FILTER_4P_1210-4SM1	sync[7B3]																																																																																																																																																																																																																																																																																																																																							
J3400	CON_F52RT_D2MT_SM_F-ST-SM	sync[5C5]																																																																																																																																																																																																																																																																																																																																							
J3500	CON_F26RT_S2MT_SM_M5_9_F-RT-SM	sync[6D2]																																																																																																																																																																																																																																																																																																																																							
J3600	CON_F80ST_D4MT_SM_F-ST-SM	sync[7C4]																																																																																																																																																																																																																																																																																																																																							
J4600	CON_F4RT_USB_S2MT_TH_F-RT-TH-USB-LFT	sync[8B2]																																																																																																																																																																																																																																																																																																																																							
J4610	CON_F4RT_USB_S2MT_TH_F-RT-TH-USB-LFT	sync[8C2]																																																																																																																																																																																																																																																																																																																																							
J6900	CON_F5RT_S2MT_TH3_F-RT-TH-MG3	sync[10D8]																																																																																																																																																																																																																																																																																																																																							
J9615	CON_M8RT_S_SM_M-RT-S	sync[12C5]																																																																																																																																																																																																																																																																																																																																							
	M																																																																																																																																																																																																																																																																																																																																								
L3400	FILTER_4P_1210-4SM1	sync[5B2]																																																																																																																																																																																																																																																																																																																																							
L4600	FILTER_4P_1210-4SM1	sync[8B4]																																																																																																																																																																																																																																																																																																																																							
L4601	IND_0603	sync[8B4]																																																																																																																																																																																																																																																																																																																																							
L4610	FILTER_4P_1210-4SM1	sync[8C4]																																																																																																																																																																																																																																																																																																																																							
L4611	IND_0603	sync[8D4]																																																																																																																																																																																																																																																																																																																																							
L4650	IND_0603	sync[8A4]																																																																																																																																																																																																																																																																																																																																							
L4660	IND_0603	sync[8C4]																																																																																																																																																																																																																																																																																																																																							
L6900	FILTER_4P_SM	sync[10D6]																																																																																																																																																																																																																																																																																																																																							
L6901	IND_SM-1	sync[10D6]																																																																																																																																																																																																																																																																																																																																							
L7600	IND_IHLP	sync[11C2]																																																																																																																																																																																																																																																																																																																																							
L7650	IND_IHLP	sync[11B2]																																																																																																																																																																																																																																																																																																																																							
PDS801	PHOTODIODE_2P_TH-WTH-SPCR	sync[9C6]																																																																																																																																																																																																																																																																																																																																							
Q3560	TRA_2N7002_SOT23-LF	sync[6B3]																																																																																																																																																																																																																																																																																																																																							
Q5801	TRA_2N7002_SOT23-LF	sync[9C5]																																																																																																																																																																																																																																																																																																																																							
Q6900	TRA_2N7002DW_SOT-363	sync[10C1 10C3]																																																																																																																																																																																																																																																																																																																																							
Q6901	TRA_2N7002DW_SOT-363	sync[10C1 10C2]																																																																																																																																																																																																																																																																																																																																							
Q6909	TRA_TP0610_SOT23-3	sync[10D2]																																																																																																																																																																																																																																																																																																																																							
Q7600	TRA_FDM6296_MICROFET	sync[11C3]																																																																																																																																																																																																																																																																																																																																							
	3X3																																																																																																																																																																																																																																																																																																																																								
Q7601	TRA_FDM6296_MICROFET	sync[11C3]																																																																																																																																																																																																																																																																																																																																							
	3X3																																																																																																																																																																																																																																																																																																																																								
Q7610	TRA_IRF7707_TSSOP	sync[11A7]																																																																																																																																																																																																																																																																																																																																							
Q7650	TRA_S17212DN_PWRPK-1	sync[11B3 11B3]																																																																																																																																																																																																																																																																																																																																							
	212-8																																																																																																																																																																																																																																																																																																																																								
Q7660	TRA_IRF7707_TSSOP	sync[11A3]																																																																																																																																																																																																																																																																																																																																							
R3500	RES_402	sync[6C6]																																																																																																																																																																																																																																																																																																																																							
R3560	RES_402	sync[6B3]																																																																																																																																																																																																																																																																																																																																							
R3561	RES_402	sync[6B3]																																																																																																																																																																																																																																																																																																																																							
R3570	RES_402	sync[6B2]																																																																																																																																																																																																																																																																																																																																							
R3571	RES_402	sync[6D3]																																																																																																																																																																																																																																																																																																																																							
R3600	RES_402	sync[7B4]																																																																																																																																																																																																																																																																																																																																							
R5801	RES_402	sync[9C6]																																																																																																																																																																																																																																																																																																																																							
R5802	RES_402	sync[9C6]																																																																																																																																																																																																																																																																																																																																							
R5803	RES_402	sync[9C5]																																																																																																																																																																																																																																																																																																																																							
R5804	RES_402	sync[9C5]																																																																																																																																																																																																																																																																																																																																							
R5805	RES_402	sync[9C5]																																																																																																																																																																																																																																																																																																																																							
R5806	RES_402	sync[9C4]																																																																																																																																																																																																																																																																																																																																							
R5807	RES_402	sync[9C4]																																																																																																																																																																																																																																																																																																																																							
R6900	RES_402	sync[10C2]																																																																																																																																																																																																																																																																																																																																							
B																																																																																																																																																																																																																																																																																																																																									
A																																																																																																																																																																																																																																																																																																																																									
	8	7	6	5	4	3	2	1																																																																																																																																																																																																																																																																																																																																	

8

7

6

5

4

3

2

1

# CHANGE LIST

11/27/06:

FIRST M76 LIMA SCHEMATIC CHECK-IN

FUTURE UPDATES LOGGED IN PERFORCE

D

D

C

C

B

B

A

A


**HISTORY: NON-AUDIO**

SYNC\_MASTER=(MASTER) SYNC\_DATE=(MASTER)

**NOTICE OF PROPRIETARY PROPERTY**

THE INFORMATION CONTAINED HEREIN IS THE PROPRIETARY PROPERTY OF APPLE COMPUTER, INC. THE POSSESSOR AGREES TO THE FOLLOWING

I TO MAINTAIN THE DOCUMENT IN CONFIDENCE  
 II NOT TO REPRODUCE OR COPY IT  
 III NOT TO REVEAL OR PUBLISH IN WHOLE OR PART

 APPLE COMPUTER INC.	SIZE	DRAWING NUMBER	REV.
	D	051-7268	03
SCALE	SHT	OF	
NONE	21	24	

8

7

6

5

4

3

2

1

CHANGE LIST

MAY 03 2006: FIRST RELEASE  
MAY 04 2006: REMOVED U7350  
MAY 10 2006: CONNECT XW7200.1 TO GND AUDIO\_PWR INSTEAD OF 5V. REPLACED C7301/02/04/52/53/55 WITH ZAP DIODES  
MAY 25 2006: REPLACED R6801, R7000, R7200 WITH 155S0138. CHANGED C6803 TO 22UF ROHS COMPLIANT CAP  
MAY 31 2006: CHANGE U6800 TO 353S1458, DC SCREENED VERSION. CHANGED NETNAME "=GND\_AUDIO\_PWR" TO "=GND\_AUDIO\_AMP"  
JUNE 1 2006: CHANGED NETNAME "=PP5V\_S0\_AUDIO\_PWR" TO "=PP5V\_S0\_AUDIO\_AMP"  
JUNE 1 2006: ADDED NETNAMES TO NC PINS ON U6800. ADDED "NO\_TEST=TRUE" ATTRIBUTES TO NC NETS.  
JUNE 28 2006: ADDED CRITICAL TO U6800. REMOVE "?" FROM BOMOPTION TABLE

NOTICE OF PROPRIETARY PROPERTY  
THE INFORMATION CONTAINED HEREIN IS THE PROPRIETARY PROPERTY OF APPLE COMPUTER, INC. THE POSSESSOR AGREES TO THE FOLLOWING  
I TO MAINTAIN THE DOCUMENT IN CONFIDENCE  
II NOT TO REPRODUCE OR COPY IT  
III NOT TO REVEAL OR PUBLISH IN WHOLE OR PART

APPLE COMPUTER INC.	SIZE	DRAMING NUMBER	REV.
	D	051-7268	03
	SCALE	SHT	OF
	NONE	22	24



Main table grid with columns 1-8 and rows A-D. Each cell contains alphanumeric codes and reference identifiers.

Title: Cref Part Report
Design: lio
Date: Feb 5 15:29:57 2007

XW7605 SHORT\_LAYER\_2\_SHORT\_ lio[17A7]
L2\_SM
XW7606 SHORT\_LAYER\_9\_SHORT\_ lio[17A7]
L9-SM
XW7607 SHORT\_LAYER\_2\_SHORT\_ lio[17A7]
L2\_SM
XW7608 SHORT\_LAYER\_2\_SHORT\_ lio[17A7]
L2\_SM
XW7609 SHORT\_LAYER\_2\_SHORT\_ lio[17A7]
L2\_SM
XW7610 SHORT\_LAYER\_2\_SHORT\_ lio[17A7]
L2\_SM
XW7611 SHORT\_SM lio[17A5]
XW7612 SHORT\_SM lio[17A5]
ZH0801 MTGHOLE lio[4A8]
ZH0802 MTGHOLE lio[4A8]
ZH0803 MTGHOLE lio[4A8]
ZH0804 MTGHOLE lio[4A8]