

1. ALL RESISTANCE VALUES ARE IN OHMS, 0.1 WATT +/- 5%.  
 2. ALL CAPACITANCE VALUES ARE IN MICROFARADS.  
 3. ALL CRYSTALS & OSCILLATOR VALUES ARE IN HERTZ.

REV	ZONE	ECN	DESCRIPTION OF CHANGE	CK APPD DATE	ENG APPD DATE
				?	?

# SCHEM, LIO, MBP17

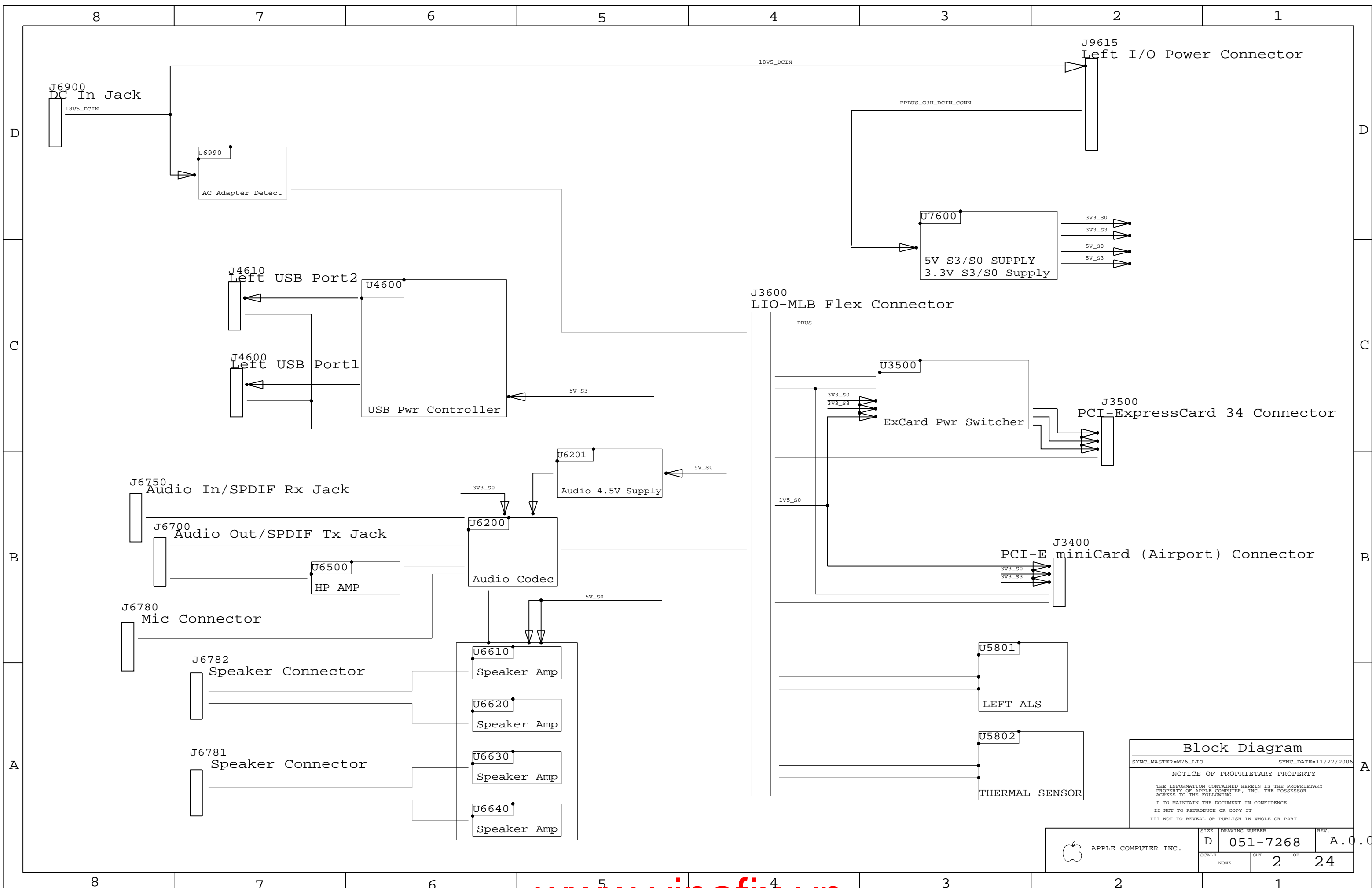
## 05/07/07

PDF PAGE	CSA PAGE	CONTENTS	SYNC MASTER	DATE
1	1	Table of Contents	M76_LIO	11/27/2006
2	2	Block Diagram	M76_LIO	11/27/2006
3	4	BOM CONFIGURATION	M76_LIO	11/27/2006
4	8	Aliases	M76_LIO	11/27/2006
5	34	PCI-E MiniCard Connector	M75_LIO	04/10/2007
6	35	ExpressCard Connector	M75_LIO	04/10/2007
7	36	MLB I/O Board Connector	M76_LIO	11/27/2006
8	46	Left USB Port	M76_LIO	11/27/2006
9	58	Left ALS	M76_LIO	11/27/2006
10	62	AUDIO:CODEC	M76_AUDIO	05/04/2007
11	63	AUDIO: LINE IN	M76_AUDIO	05/04/2007
12	65	AUDIO: HEADPHONE AMP	M76_AUDIO	05/04/2007
13	66	AUDIO:SPEAKER AMP	M76_AUDIO	05/04/2007
14	67	AUDIO: JACKS	M76_AUDIO	05/04/2007
15	68	AUDIO: JACK TRANSLATORS	M76_AUDIO	05/04/2007
16	69	DC-In & Battery Connectors	M76_LIO	11/27/2006
17	76	5V/3.3V SUPPLY	M57_LIO	11/30/2006
18	96	LEFT I/O POWER CONNECTOR	M76_LIO	11/27/2006
19	97	Cross Reference Page	M76_LIO	11/27/2006
20	98	Cross Reference Page	M76_LIO	11/27/2006
21	100	HISTORY: NON-AUDIO	(MASTER)	(MASTER)
22	101		M76_AUDIO	05/04/2007
23	102	Cross Reference Page		
24	103	Cross Reference Page		

# ALIASES RESOLVED

PART#	QTY	DESCRIPTION	REFERENCE DESIGNATOR(S)	CRITICAL	BOM OPTION
051-7268	1	SCHEM,LIO,MBP17	SCH	CRITICAL	
820-2140	1	PCBF,LIO,MBP17	PCB	CRITICAL	

DIMENSIONS ARE IN MILLIMETERS		<b>METRIC</b>		Apple Computer Inc.	
XX :	_____	DRAPTER	/	DESIGN CK	/
X.XX :	_____	ENG APPD	/	MFG APPD	/
X.XXX :	_____	QA APPD	/	DESIGNER	/
ANGLES :	_____	RELEASE	/	SCALE	NONE
DO NOT SCALE DRAWING		MATERIAL/FINISH NOTED AS APPLICABLE		SIZE	D
 THIRD ANGLE PROJECTION		DRAWING NUMBER		051-7268	REV. A.0.0
SHT 1 OF 24					



**Block Diagram**

SYNC\_MASTER=M76\_LIO      SYNC\_DATE=11/27/2006

NOTICE OF PROPRIETARY PROPERTY

THE INFORMATION CONTAINED HEREIN IS THE PROPRIETARY PROPERTY OF APPLE COMPUTER, INC. THE POSSESSOR AGREES TO THE FOLLOWING

I TO MAINTAIN THE DOCUMENT IN CONFIDENCE  
 II NOT TO REPRODUCE OR COPY IT  
 III NOT TO REVEAL OR PUBLISH IN WHOLE OR PART

APPLE COMPUTER INC.	SIZE <b>D</b>	DRAWING NUMBER <b>051-7268</b>	REV. <b>A.0.0</b>
	SCALE NONE	SHT <b>2</b>	OF <b>24</b>

8 7 6 5 4 3 2 1

BOM NUMBER	BOM NAME	BOM OPTIONS
630-7980	PCBA, LIMA, M76	COMMON

PART NUMBER	ALTERNATE FOR PART NUMBER	BOM OPTION	REF DES	COMMENTS:
35381297	35381717		U6990	TI Alt Src

BAR CODE LABEL / EEE#'S

PART NUMBER	QTY	DESCRIPTION	REFERENCE DES	CRITICAL	BOM OPTION
000-0041	1	LBL, P/N LABEL, PCB	[EEE:XBD]	CRITICAL	

PART#	QTY	DESCRIPTION	REFERENCE DESIGNATOR(S)	CRITICAL	BOM OPTION
815-8851	1	ALS SPACER, M9	SP6401	CRITICAL	

D

D

C

C


B

B

A

A

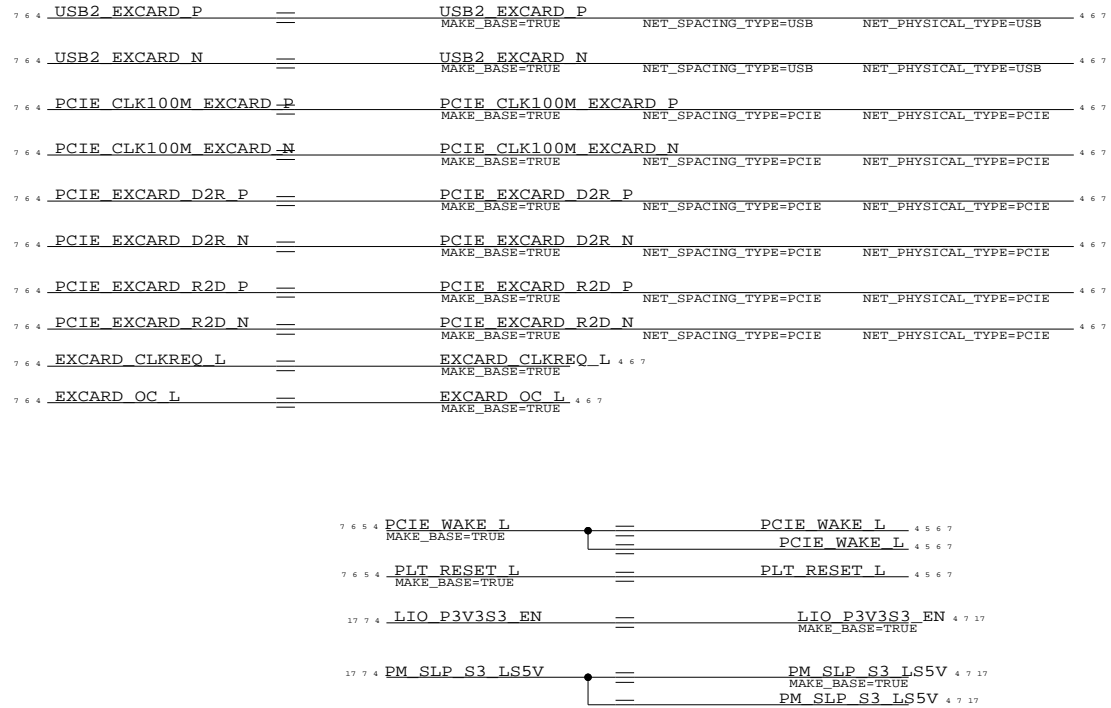
BOM CONFIGURATION	
SYNC_MASTER=M76_LIO	SYNC_DATE=11/27/2006
NOTICE OF PROPRIETARY PROPERTY	
THE INFORMATION CONTAINED HEREIN IS THE PROPRIETARY PROPERTY OF APPLE COMPUTER, INC. THE POSSESSOR AGREES TO THE FOLLOWING	
I TO MAINTAIN THE DOCUMENT IN CONFIDENCE	
II NOT TO REPRODUCE OR COPY IT	
III NOT TO REVEAL OR PUBLISH IN WHOLE OR PART	

 APPLE COMPUTER INC.	SIZE	DRAWING NUMBER	REV.
	D	051-7268	A.0.0
SCALE	SHT	OF	
NONE	3	24	

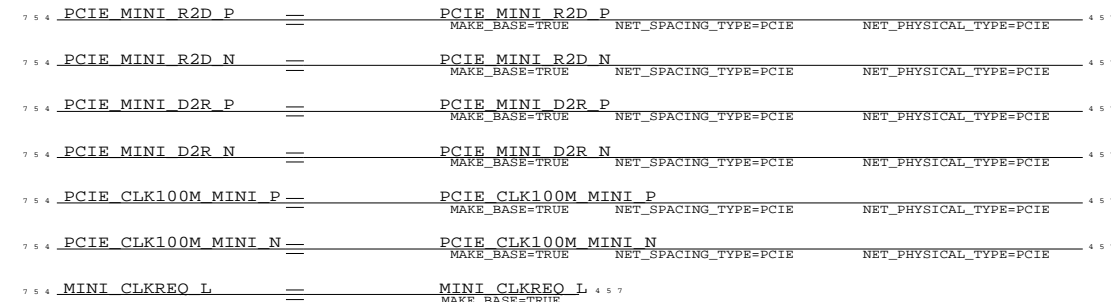
8 7 6 5 4 3 2 1

POWER & GROUNDS

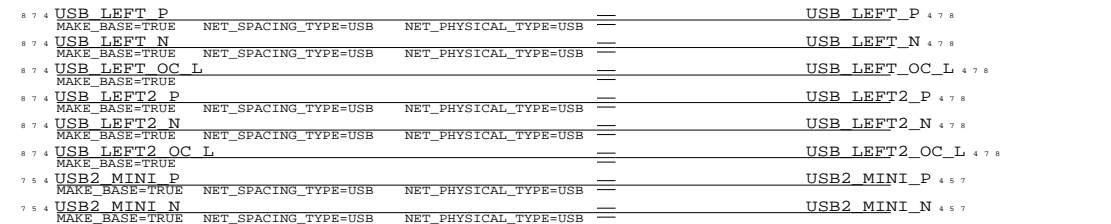
PCI-E EXPRESS CARD 34



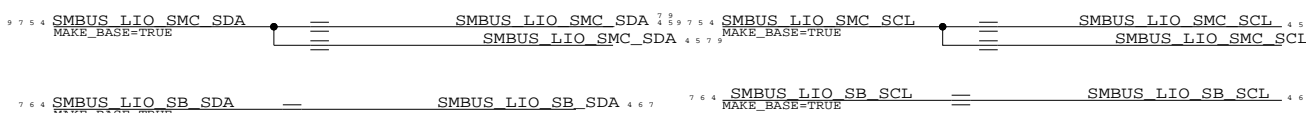
PCI-E MINICARD



USB

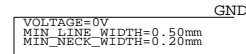
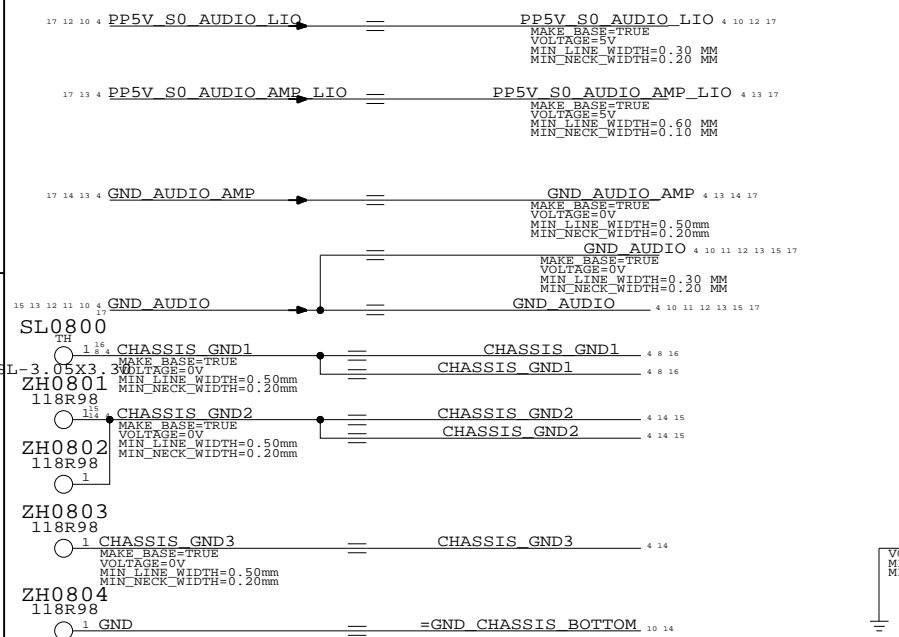


SMBUS

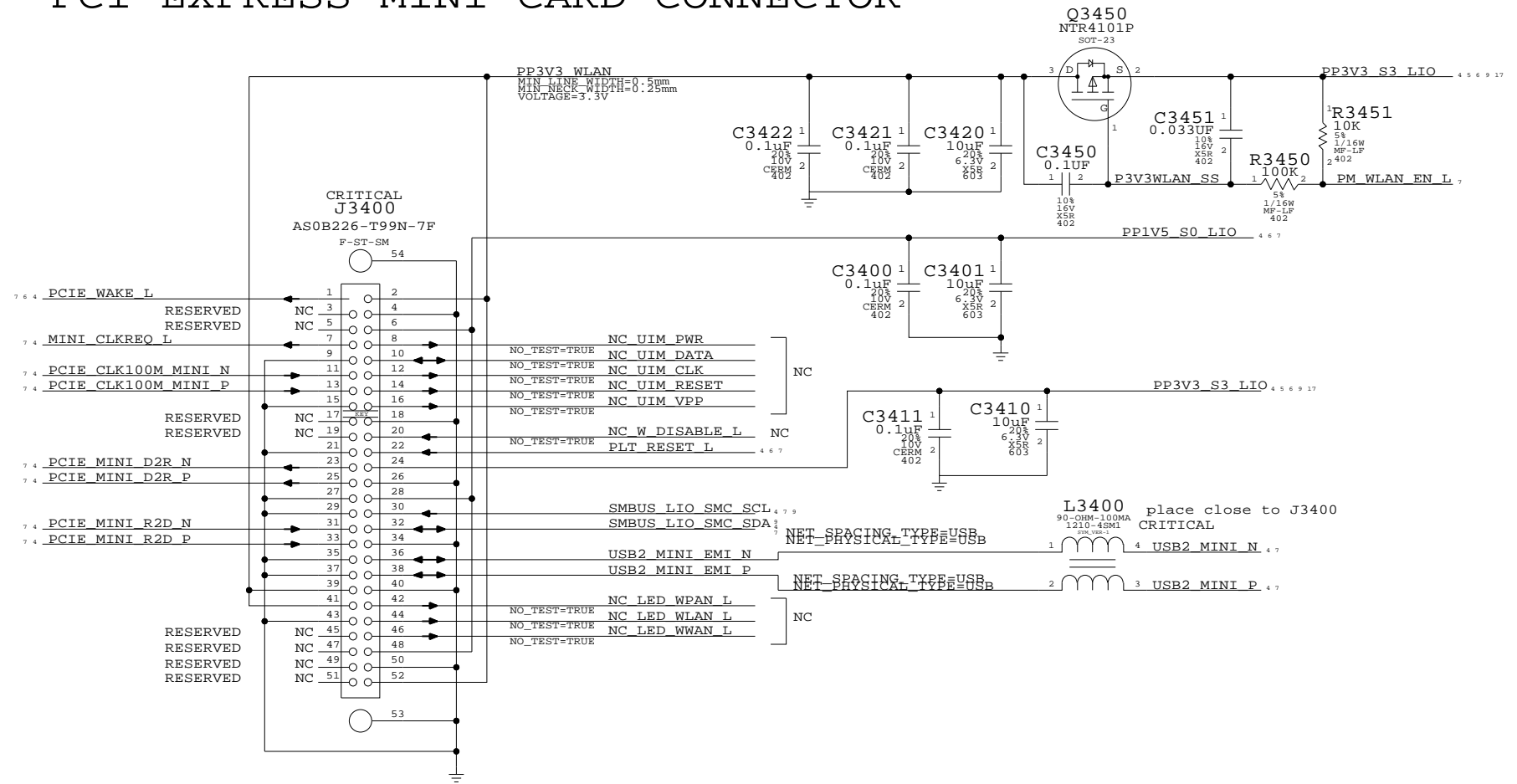


<b>Aliases</b>	
SYNC_MASTER=M76_LIO	SYNC_DATE=11/27/2006
NOTICE OF PROPRIETARY PROPERTY	
THE INFORMATION CONTAINED HEREIN IS THE PROPRIETARY PROPERTY OF APPLE COMPUTER, INC. THE POSSESSOR AGREES TO THE FOLLOWING	
I TO MAINTAIN THE DOCUMENT IN CONFIDENCE	
II NOT TO REPRODUCE OR COPY IT	
III NOT TO REVEAL OR PUBLISH IN WHOLE OR PART	

AUDIO



# PCI-EXPRESS MINI CARD CONNECTOR



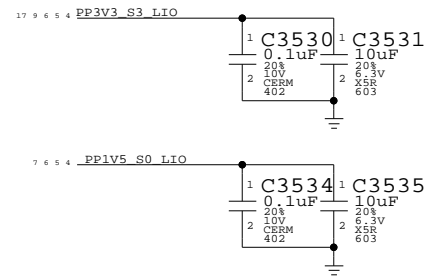
PCI-E MiniCard Connector  
 SYNC\_MASTER=M75\_LIO SYNC\_DATE=04/10/2007  
 NOTICE OF PROPRIETARY PROPERTY  
 THE INFORMATION CONTAINED HEREIN IS THE PROPRIETARY PROPERTY OF APPLE COMPUTER, INC. THE POSSESSOR AGREES TO THE FOLLOWING  
 I TO MAINTAIN THE DOCUMENT IN CONFIDENCE  
 II NOT TO REPRODUCE OR COPY IT  
 III NOT TO REVEAL OR PUBLISH IN WHOLE OR PART

APPLE COMPUTER INC.	SIZE	DRAWING NUMBER	REV.
	D	051-7268	A.0.0
SCALE	NONE	SHT	OF
		5	24

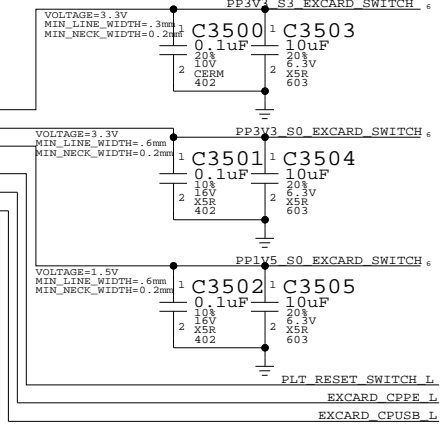
# EXPRESSCARD/34 TOP MOUNT CONNECTOR

CARD CAGE CONNECTOR  
CRITICAL  
J3500  
237-5300703903-2  
P-PT-SM

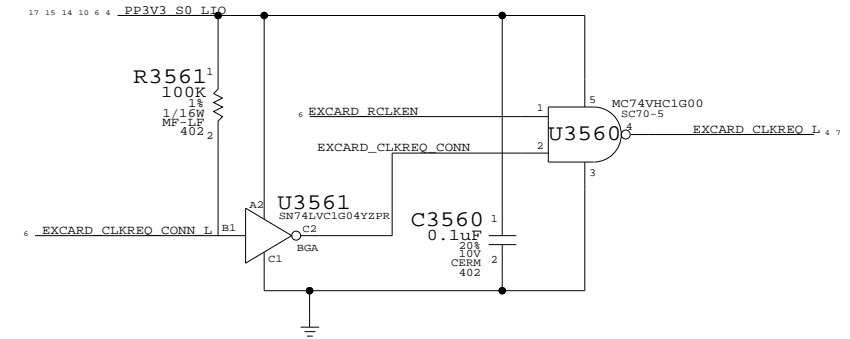
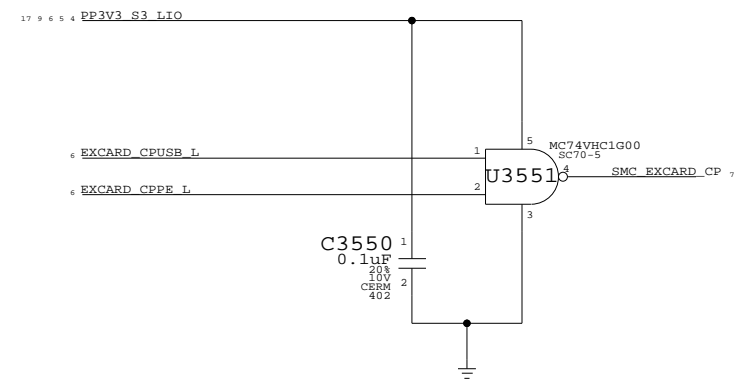
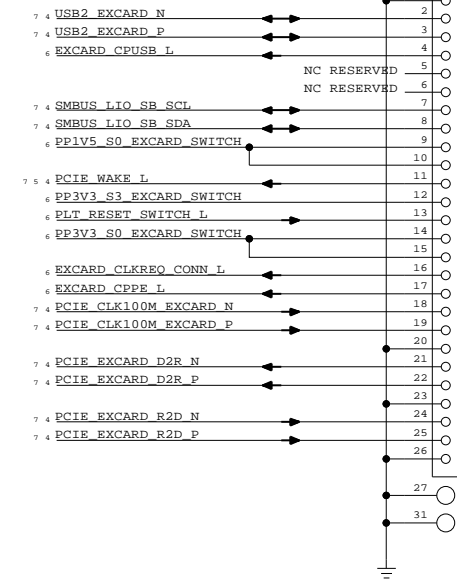
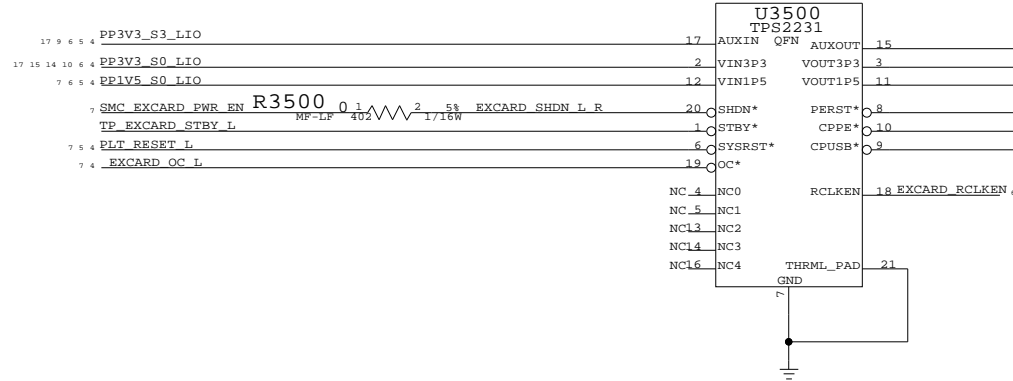
## INPUT DECOUPLING



## OUTPUT DECOUPLING



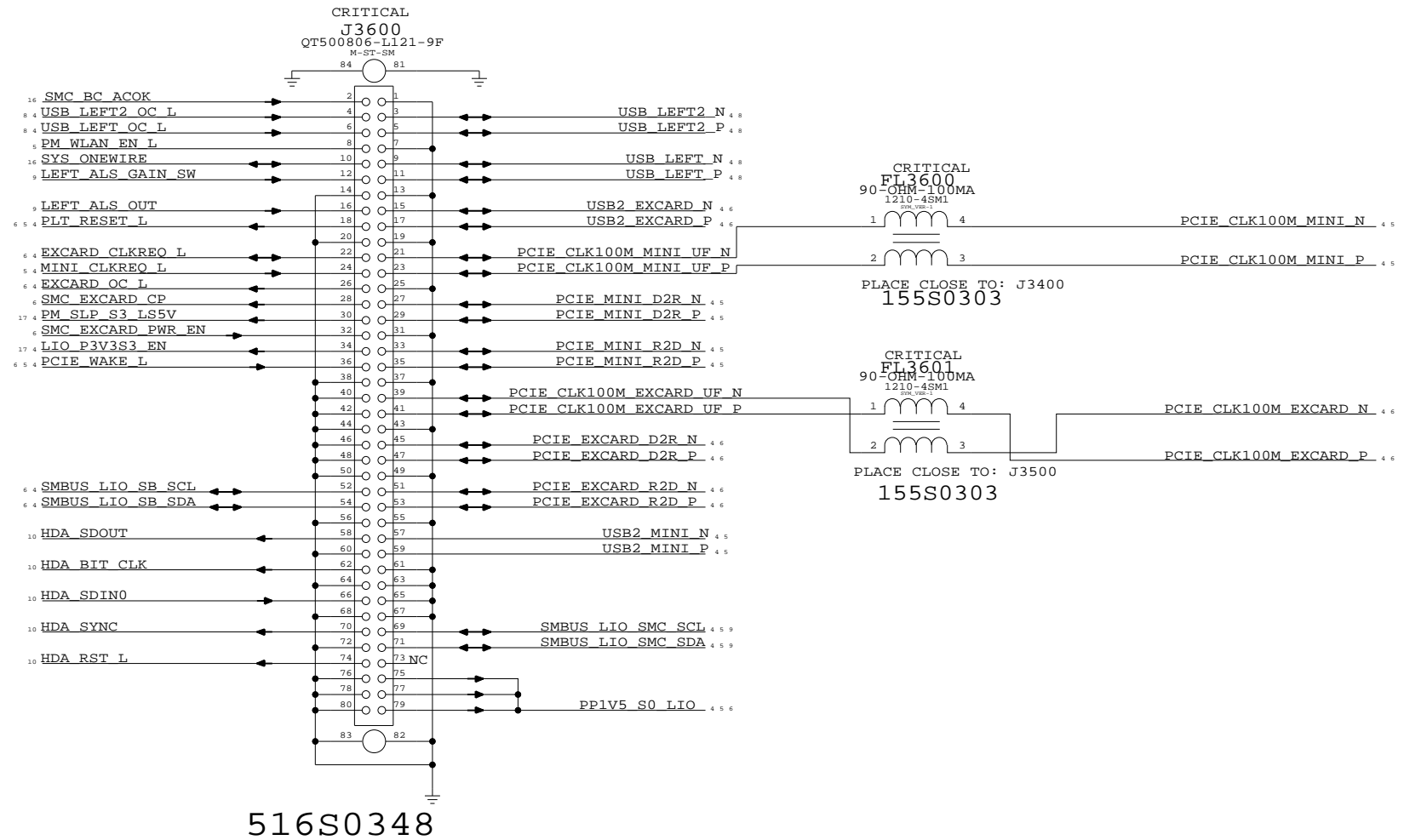
## CRITICAL



ExpressCard Connector  
SYNC\_MASTER=M75\_LIO SYNC\_DATE=04/10/2007  
NOTICE OF PROPRIETARY PROPERTY  
THE INFORMATION CONTAINED HEREIN IS THE PROPRIETARY PROPERTY OF APPLE COMPUTER, INC. THE POSSESSOR AGREES TO THE FOLLOWING  
I TO MAINTAIN THE DOCUMENT IN CONFIDENCE  
II NOT TO REPRODUCE OR COPY IT  
III NOT TO REVEAL OR PUBLISH IN WHOLE OR PART

APPLE COMPUTER INC.	SIZE	DRAWING NUMBER	REV.
	D	051-7268	A.0.0
SCALE	SHT	OF	
NONE	6	24	

# Left I/O Board Connector



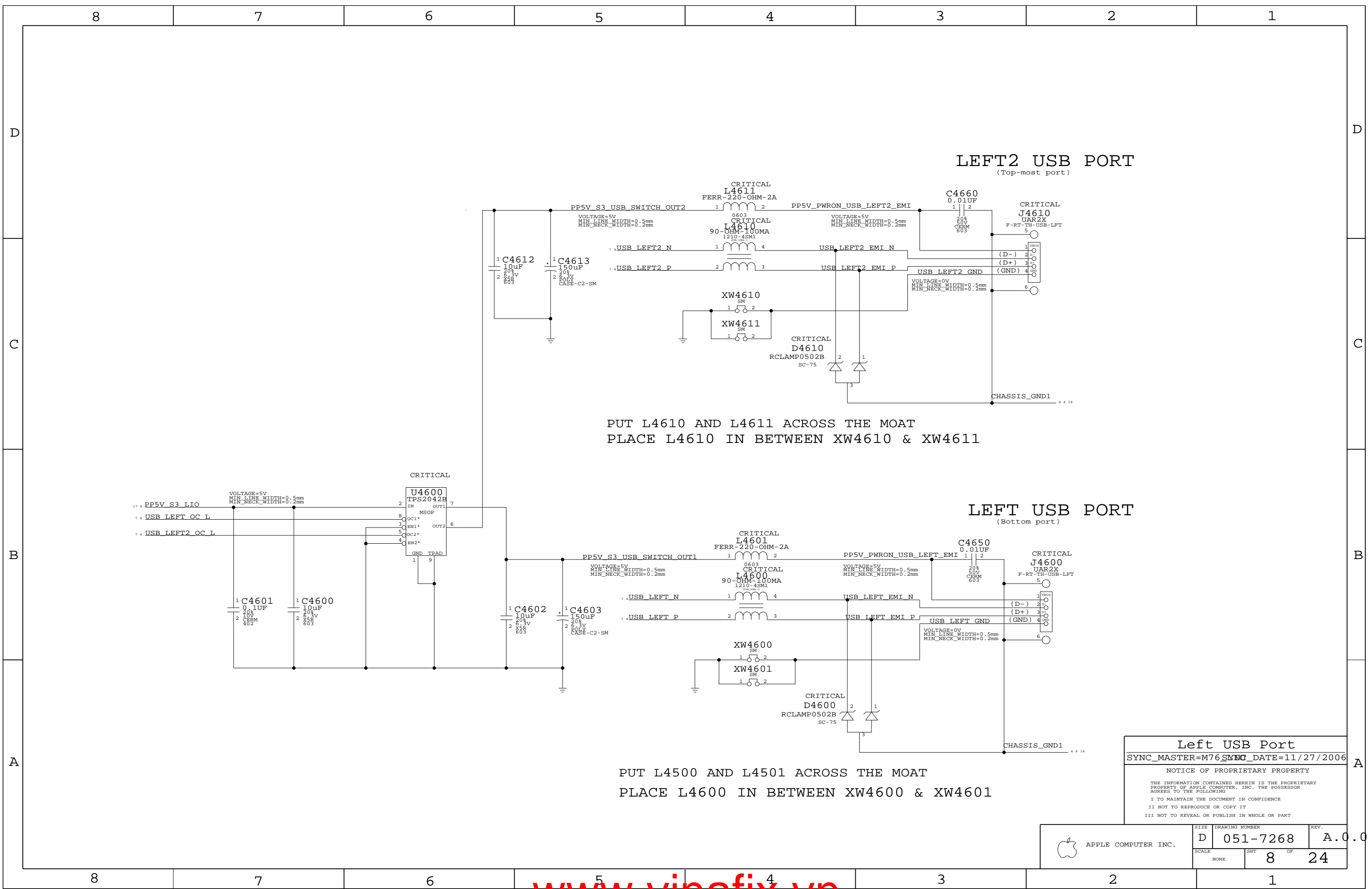
## MLB I/O Board Connector

SYNC\_MASTER=M76\_LIO SYNC\_DATE=11/27/2006

### NOTICE OF PROPRIETARY PROPERTY

THE INFORMATION CONTAINED HEREIN IS THE PROPRIETARY PROPERTY OF APPLE COMPUTER, INC. THE POSSESSOR AGREES TO THE FOLLOWING  
 I TO MAINTAIN THE DOCUMENT IN CONFIDENCE  
 II NOT TO REPRODUCE OR COPY IT  
 III NOT TO REVEAL OR PUBLISH IN WHOLE OR PART

APPLE COMPUTER INC.	SIZE	DRAWING NUMBER	REV.
	D	051-7268	A.0.0
SCALE	SHT 7 OF 24		
NONE			



**LEFT2 USB PORT**  
(Top-most port)

PUT L4610 AND L4611 ACROSS THE MOAT  
PLACE L4610 IN BETWEEN XW4610 & XW4611

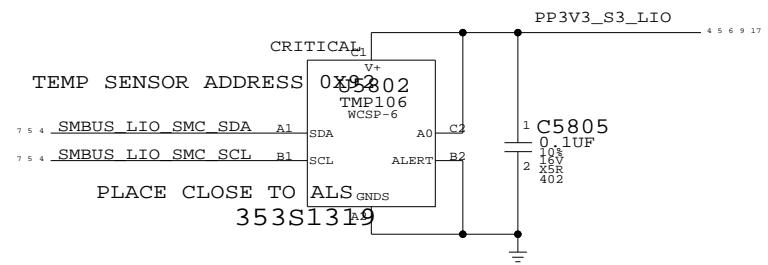
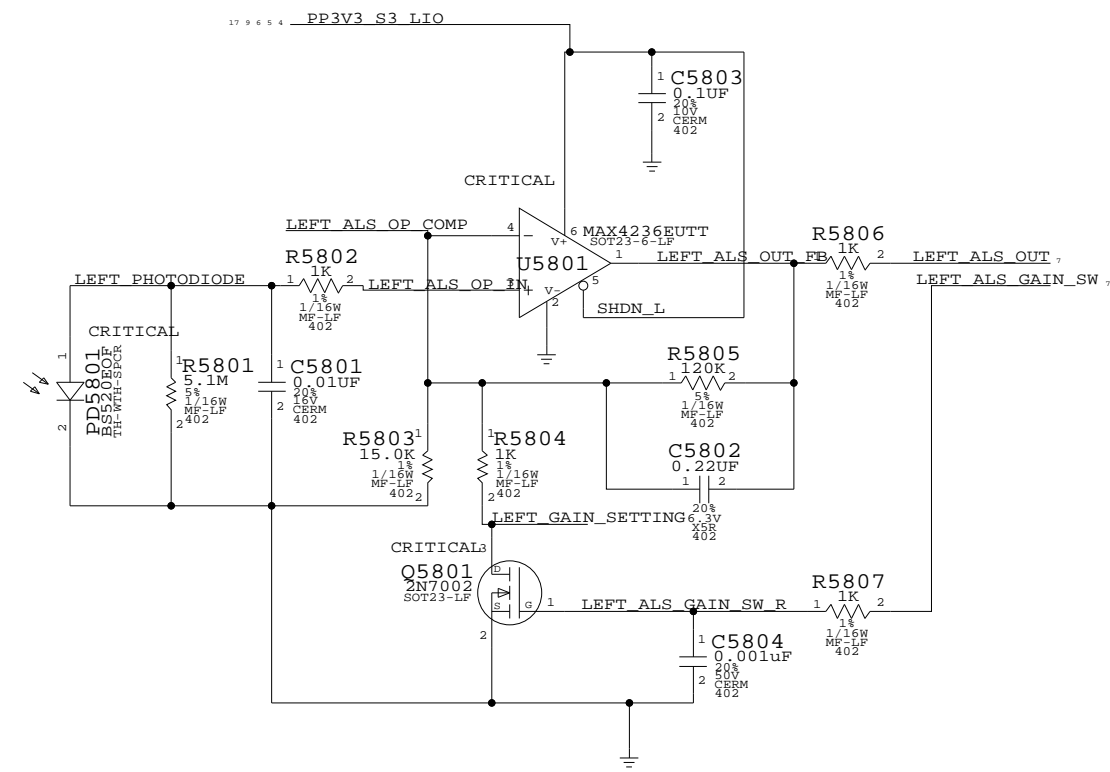
**LEFT USB PORT**  
(Bottom port)

PUT L4600 AND L4601 ACROSS THE MOAT  
PLACE L4600 IN BETWEEN XW4600 & XW4601

**Left USB Port**  
 SYNC\_MASTER=M76 SMC\_DATE=11/27/2006  
 NOTICE OF PROPRIETARY PROPERTY  
 THE INFORMATION CONTAINED HEREIN IS THE PROPRIETARY PROPERTY OF APPLE COMPUTER, INC. THE POSSESSOR AGREES TO THE FOLLOWING  
 I TO MAINTAIN THE DOCUMENT IN CONFIDENCE  
 II NOT TO REPRODUCE OR COPY IT  
 III NOT TO REVEAL OR PUBLISH IN WHOLE OR PART

APPLE COMPUTER INC.	SIZE	DRAWING NUMBER	REV.
	D	051-7268	A.0.0
SCALE	NONE	SHT	8 OF 24





**Left ALS**

SYNC\_MASTER=M76\_LIO      SYNC\_DATE=11/27/2006

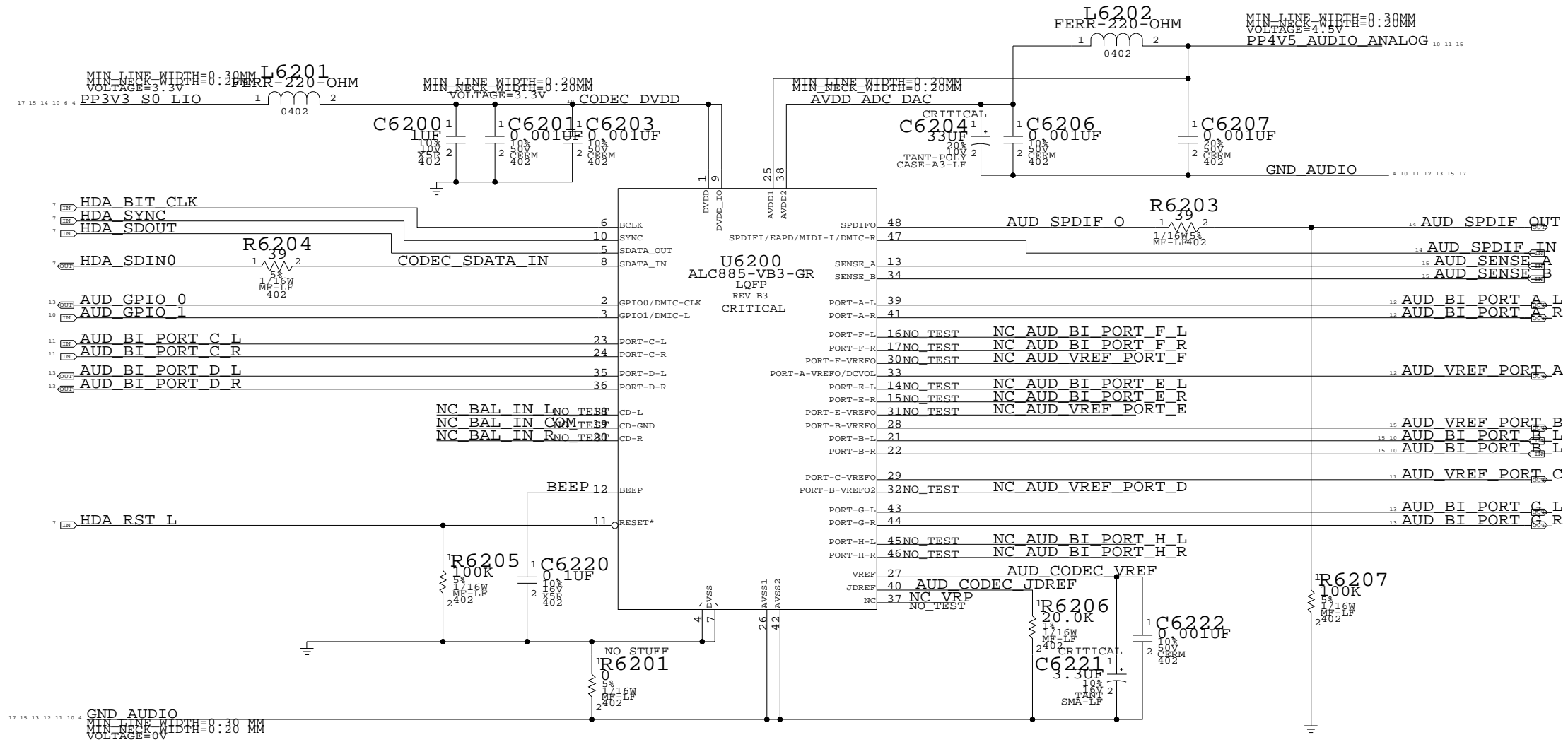
NOTICE OF PROPRIETARY PROPERTY

THE INFORMATION CONTAINED HEREIN IS THE PROPRIETARY PROPERTY OF APPLE COMPUTER, INC. THE POSSESSOR AGREES TO THE FOLLOWING

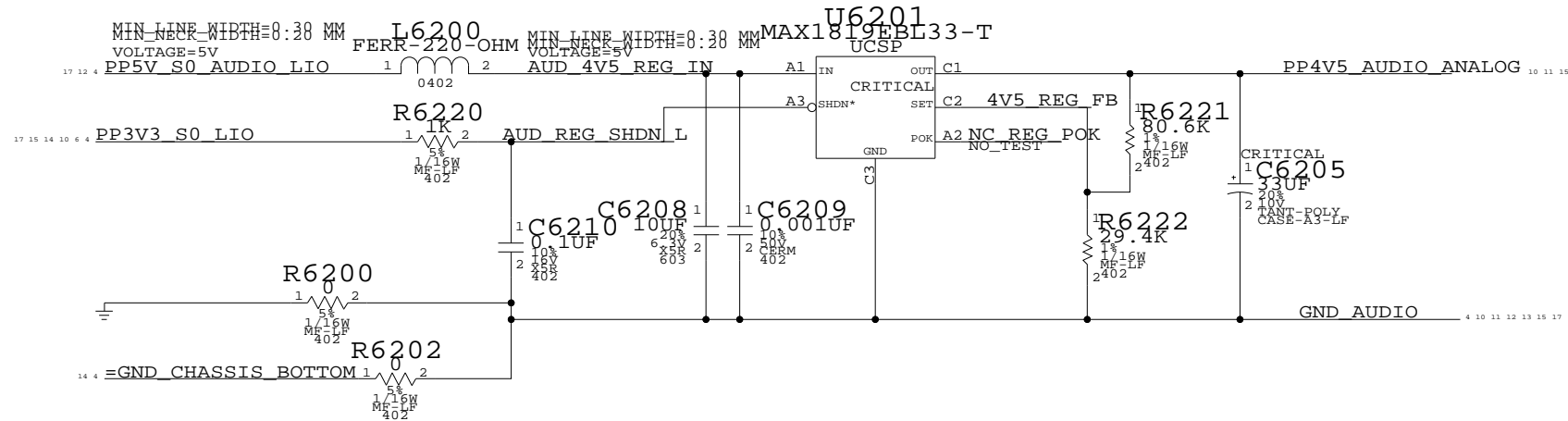
I TO MAINTAIN THE DOCUMENT IN CONFIDENCE  
 II NOT TO REPRODUCE OR COPY IT  
 III NOT TO REVEAL OR PUBLISH IN WHOLE OR PART

APPLE COMPUTER INC.	SIZE	DRAWING NUMBER	REV.
	D	051-7268	A.0.0
SCALE	SHT 9 OF 24		
NONE			

**AUDIO CODEC**  
APPLE P/N 353S1527



**AUDIO 4.5V REGULATOR**  
APPLE P/N 353S1455



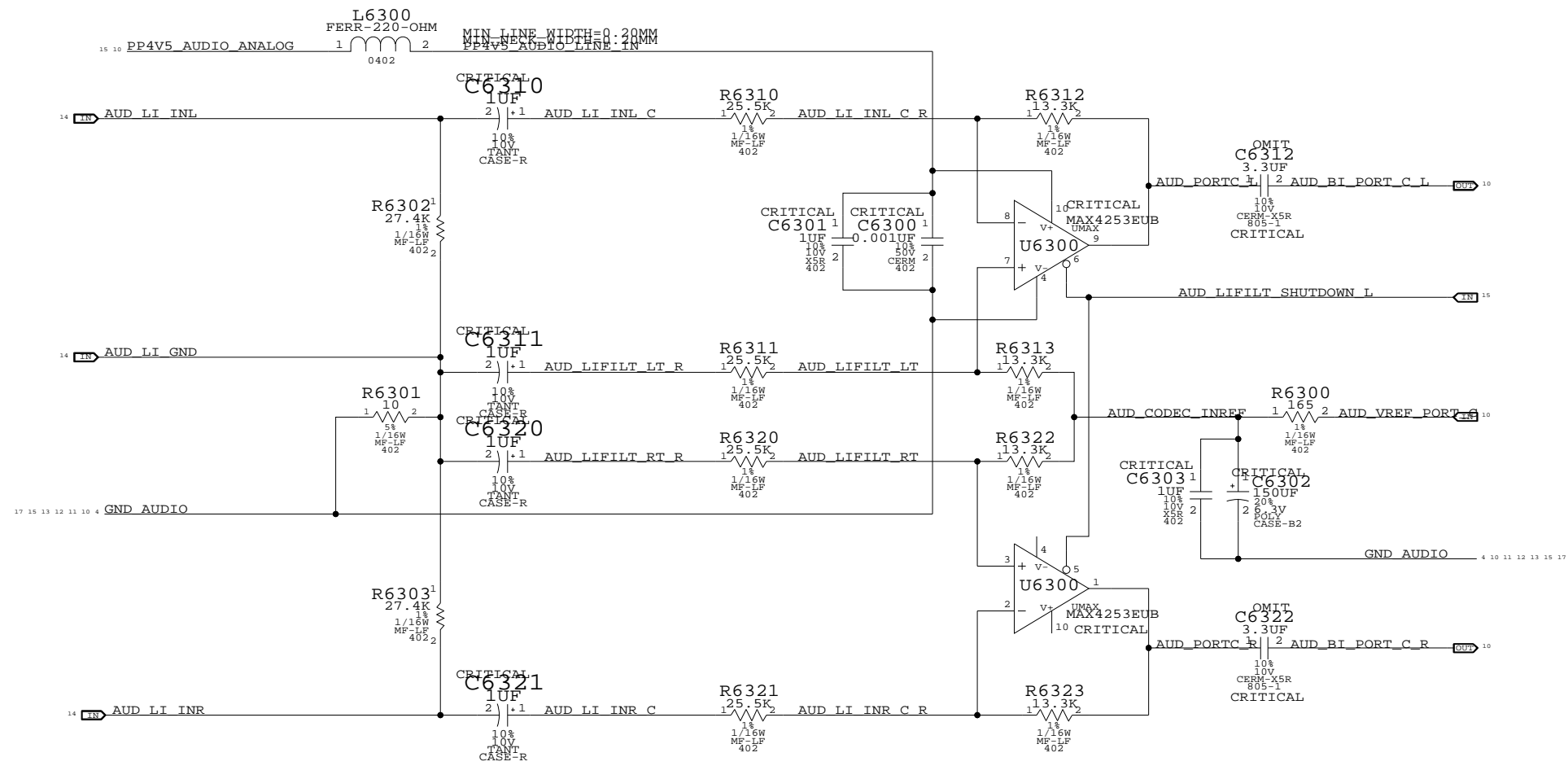
**AUDIO:CODEC**

SYNC\_MASTER=SYNCAUDIO=05/04/2007

NOTICE OF PROPRIETARY PROPERTY  
THE INFORMATION CONTAINED HEREIN IS THE PROPRIETARY PROPERTY OF APPLE COMPUTER, INC. THE POSSESSOR AGREES TO THE FOLLOWING  
I TO MAINTAIN THE DOCUMENT IN CONFIDENCE  
II NOT TO REPRODUCE OR COPY IT  
III NOT TO REVEAL OR PUBLISH IN WHOLE OR PART

APPLE COMPUTER INC.	SIZE	DRAWING NUMBER	REV.
	D	051-7268	A.0.0
SCALE	SHT		OF
NONE	10		24

Pseudo-Diff Line-In Filter  
 GAIN = -5.4DB AV = 0.52  
 FC = 6.24 HZ



PART#	QTY	DESCRIPTION	REFERENCE DESIGNATOR(S)	CRITICAL	BOM OPTION
138S0620	1	3.3UF 10V 805 X5R CAP	C6312	CRITICAL	?
138S0620	1	3.3UF 10V 805 X5R CAP	C6322	CRITICAL	?

**AUDIO: LINE IN**  
 SYNC\_MASTER=M76\_AUDIO SYNC\_DATE=05/04/2007

NOTICE OF PROPRIETARY PROPERTY

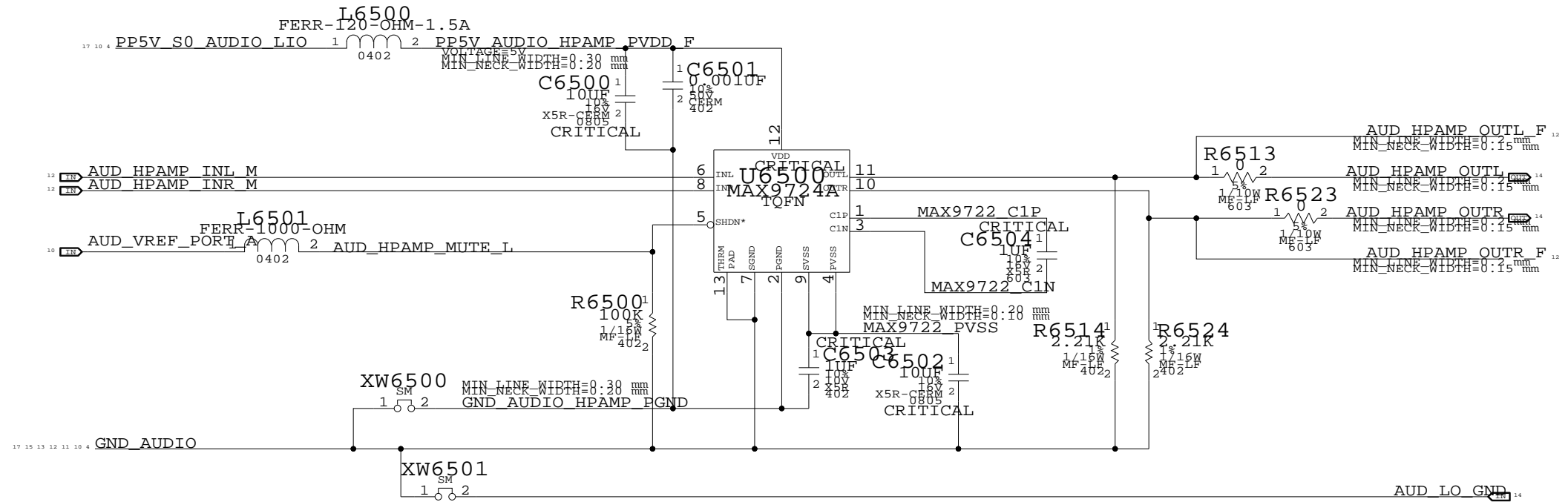
THE INFORMATION CONTAINED HEREIN IS THE PROPRIETARY PROPERTY OF APPLE COMPUTER, INC. THE POSSESSOR AGREES TO THE FOLLOWING

I TO MAINTAIN THE DOCUMENT IN CONFIDENCE  
 II NOT TO REPRODUCE OR COPY IT  
 III NOT TO REVEAL OR PUBLISH IN WHOLE OR PART

APPLE COMPUTER INC.	SIZE	DRAWING NUMBER	REV.
	D	051-7268	A.0.0
SCALE	SHT	OF	
NONE	11	24	

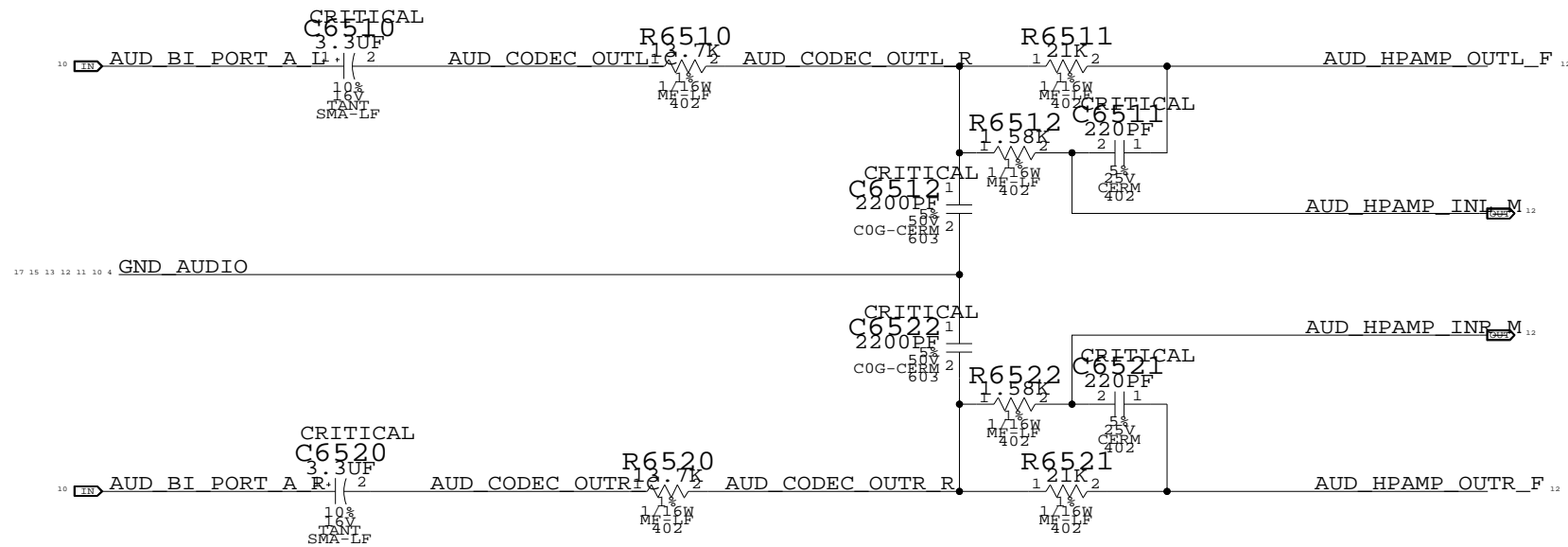
# Headphone Amplifier (MAX9724A)

APN: 353S1637  
VOLTAGE GAIN: 1.53



# 2nd Order DAC Filter

HP: 3.52 HIZP: 39 KHZ



## AUDIO: HEADPHONE AMP

SYNC\_MASTER=MSB AUDIO DATE=05/04/2007

NOTICE OF PROPRIETARY PROPERTY

THE INFORMATION CONTAINED HEREIN IS THE PROPRIETARY PROPERTY OF APPLE COMPUTER, INC. THE POSSESSOR AGREES TO THE FOLLOWING

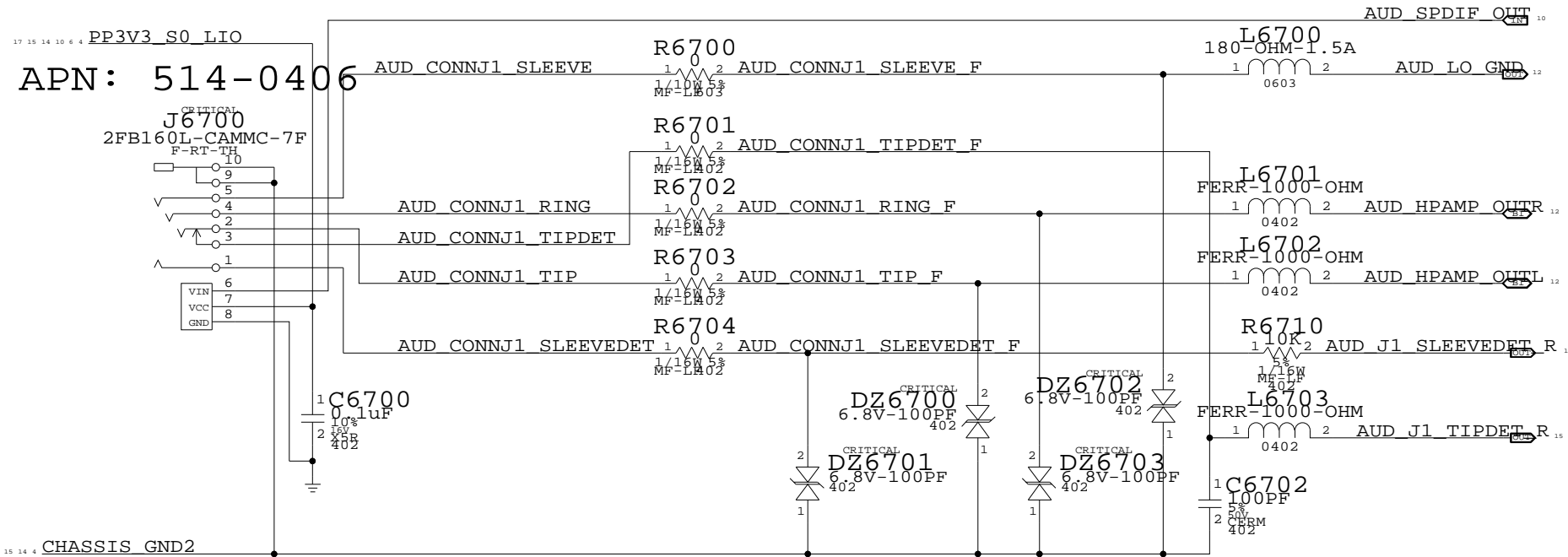
- I TO MAINTAIN THE DOCUMENT IN CONFIDENCE
- II NOT TO REPRODUCE OR COPY IT
- III NOT TO REVEAL OR PUBLISH IN WHOLE OR PART

APPLE COMPUTER INC.	SIZE	DRAWING NUMBER	REV.
	D	051-7268	A.0.0
SCALE	NONE	SHT	12 OF 24

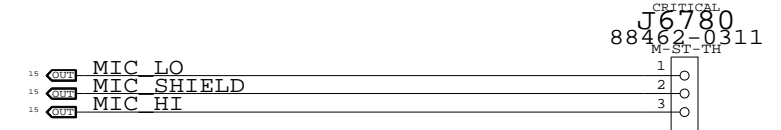


AUDIO JACK 1 LO/HP CONNECTOR, SPDIF TX

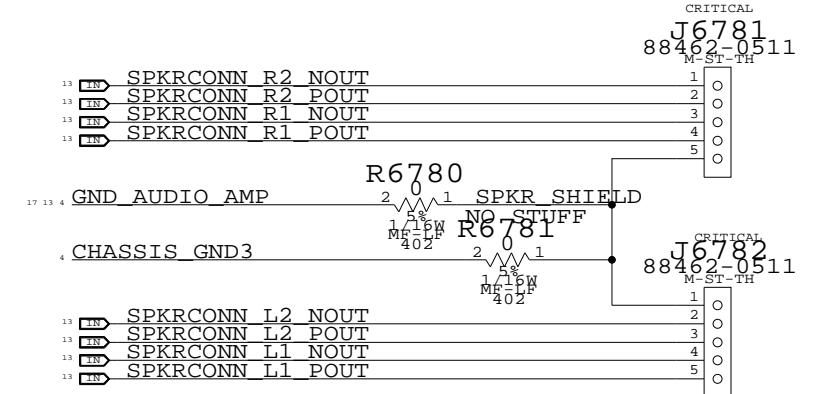
APN: 514-0406



MIC CONNECTOR  
APN: 518-0230

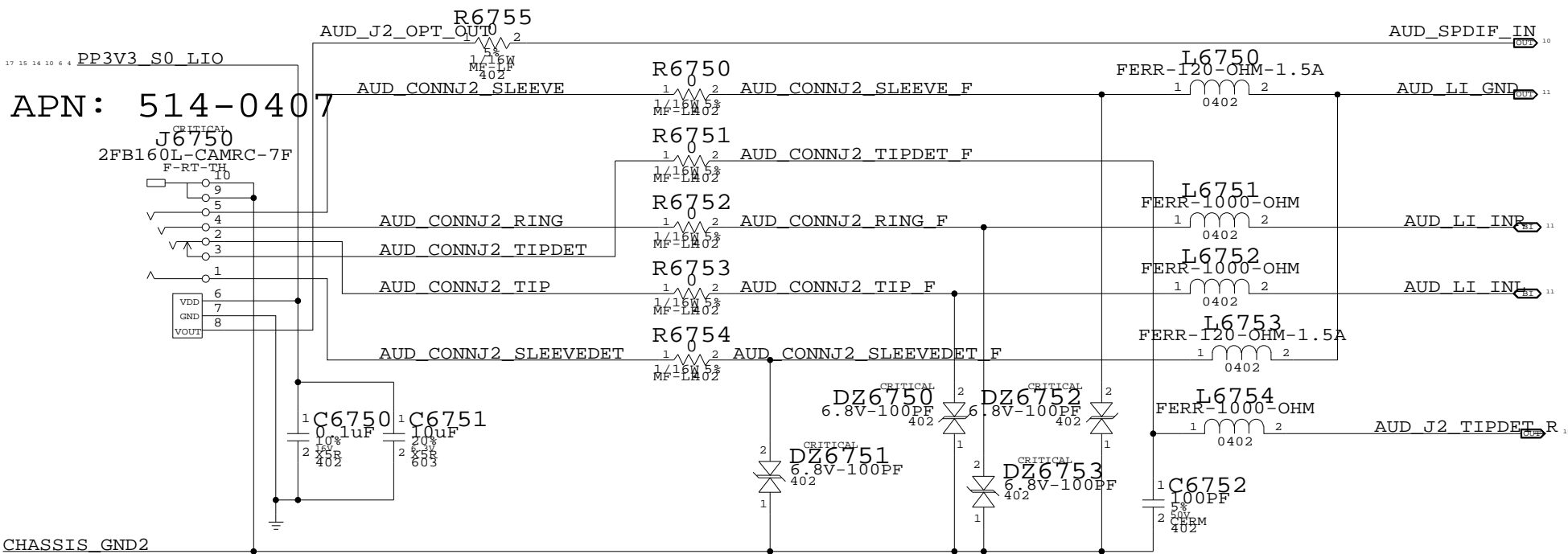


SPEAKER CONNECTORS  
APN: 518-0229

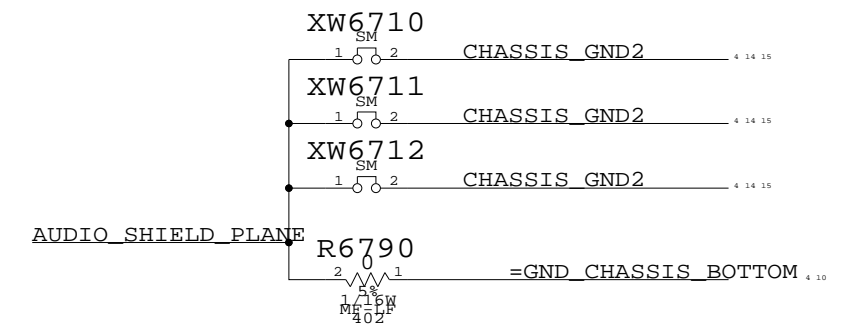


AUDIO JACK 2 LINE IN CONNECTOR, SPDIF RX

APN: 514-0407



AUDIO SHIELD  
(FILLED SHAPE)



**AUDIO: JACKS**  
 SYNC\_MASTER=M76\_AUDIO SYNC\_DATE=05/04/2007  
 NOTICE OF PROPRIETARY PROPERTY  
 THE INFORMATION CONTAINED HEREIN IS THE PROPRIETARY PROPERTY OF APPLE COMPUTER, INC. THE POSSESSOR AGREES TO THE FOLLOWING  
 I TO MAINTAIN THE DOCUMENT IN CONFIDENCE  
 II NOT TO REPRODUCE OR COPY IT  
 III NOT TO REVEAL OR PUBLISH IN WHOLE OR PART

APPLE COMPUTER INC.	SIZE	DRAWING NUMBER	REV.
	D	051-7268	A.0.0
SCALE	NONE	SHT	14 OF 24

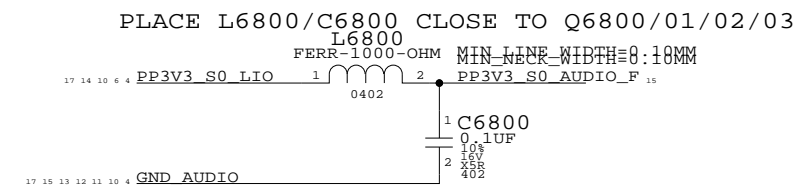
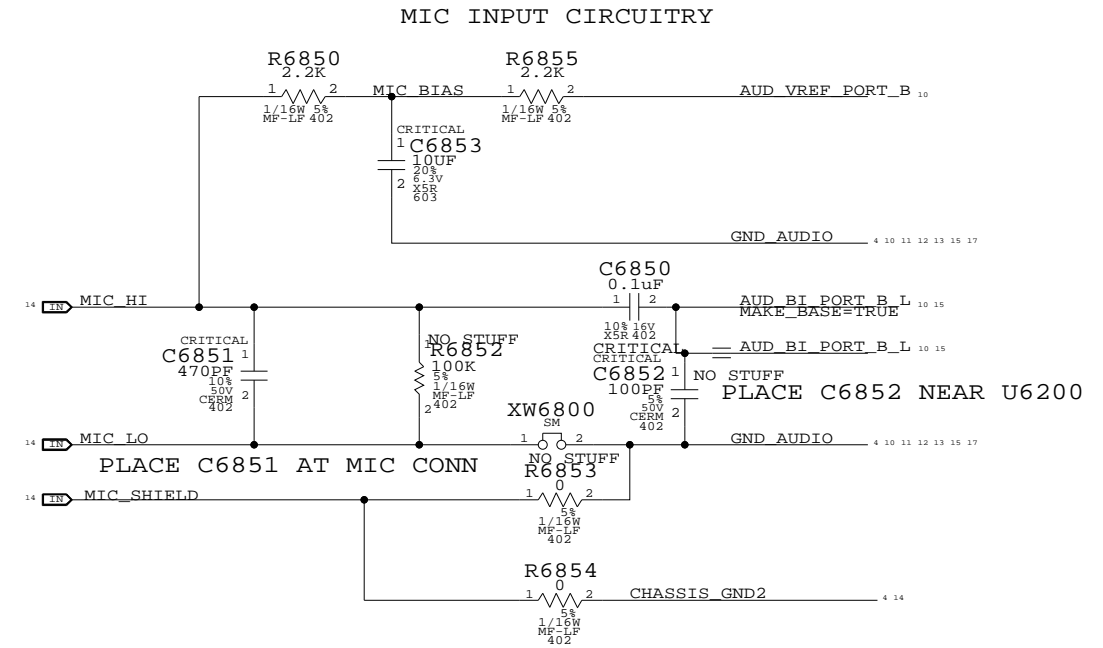
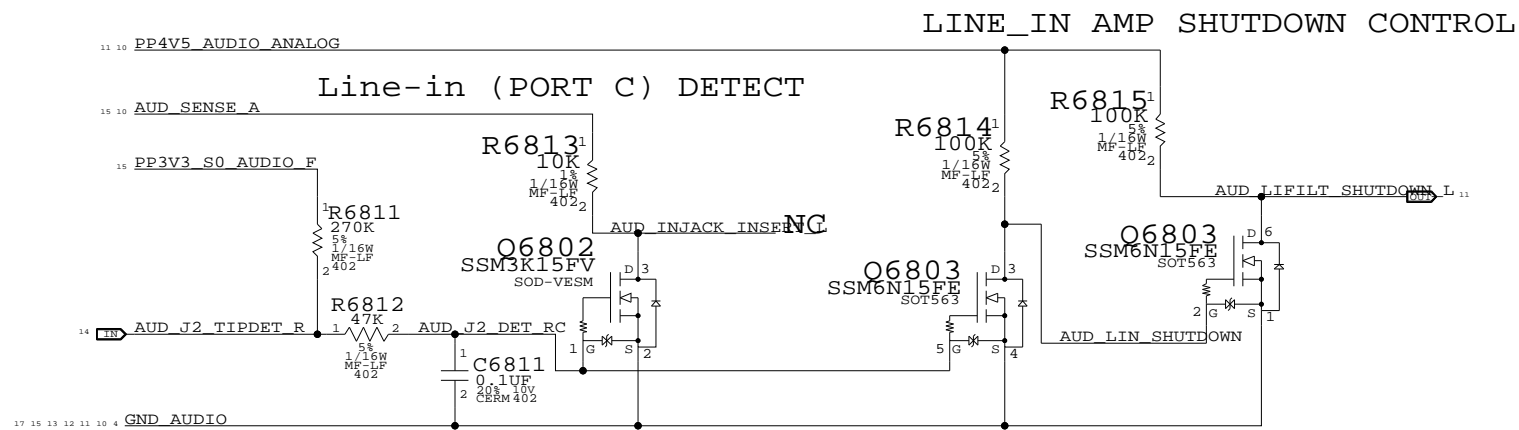
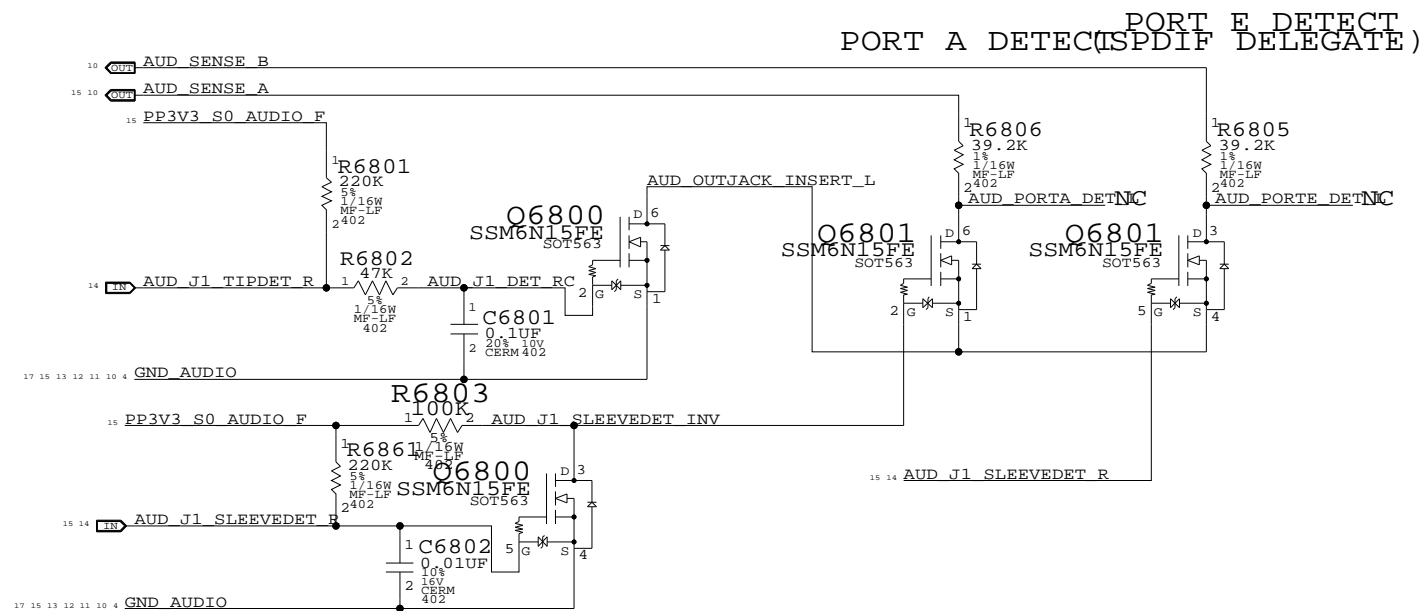


CODEC OUTPUT SIGNAL PATHS

FUNCTION	VOLUME	CONVERTER	PIN	COMPLEX	MUTE CONTROL	DET ASSIGNMENT
HP/LINE OUT	0X0F (15)	0X05 (05)	0X15 (21,A)		VREF A (21)	0X15 (21,A)
SPEAKER 1	0X26 (38)	0X25 (37)	0X14 (20,D)		GPIO 0	N/A
SPEAKER 2	0X04 (14)	0X04 (04)	0X16 (22,G)		GPIO 0	N/A
SPDIF OUT	N/A	0X06 (06)	0X1E (30,SPDIF)		N/A	0X1B (27,E)

CODEC INPUT SIGNAL PATHS

FUNCTION	MIXER	CONVERTER	PIN	COMPLEX	VREF	DET ASSIGNMENT
LINE IN	0X23 (35)	0X08 (08)	0X1A (26,C)		N/A	0X1A (26,C)
MIC IN	0X24 (36)	0X07 (07)	0X18 (24,B)		VREF B (24,80N/A)	N/A
SPDIF IN	N/A	0X0A (10)	0X1F (31,SPDIF)		N/A	N/A



AUDIO: JACK TRANSLATORS

SYNC\_MASTER=M76\_AUDIO SYNC\_DATE=05/04/2007

NOTICE OF PROPRIETARY PROPERTY

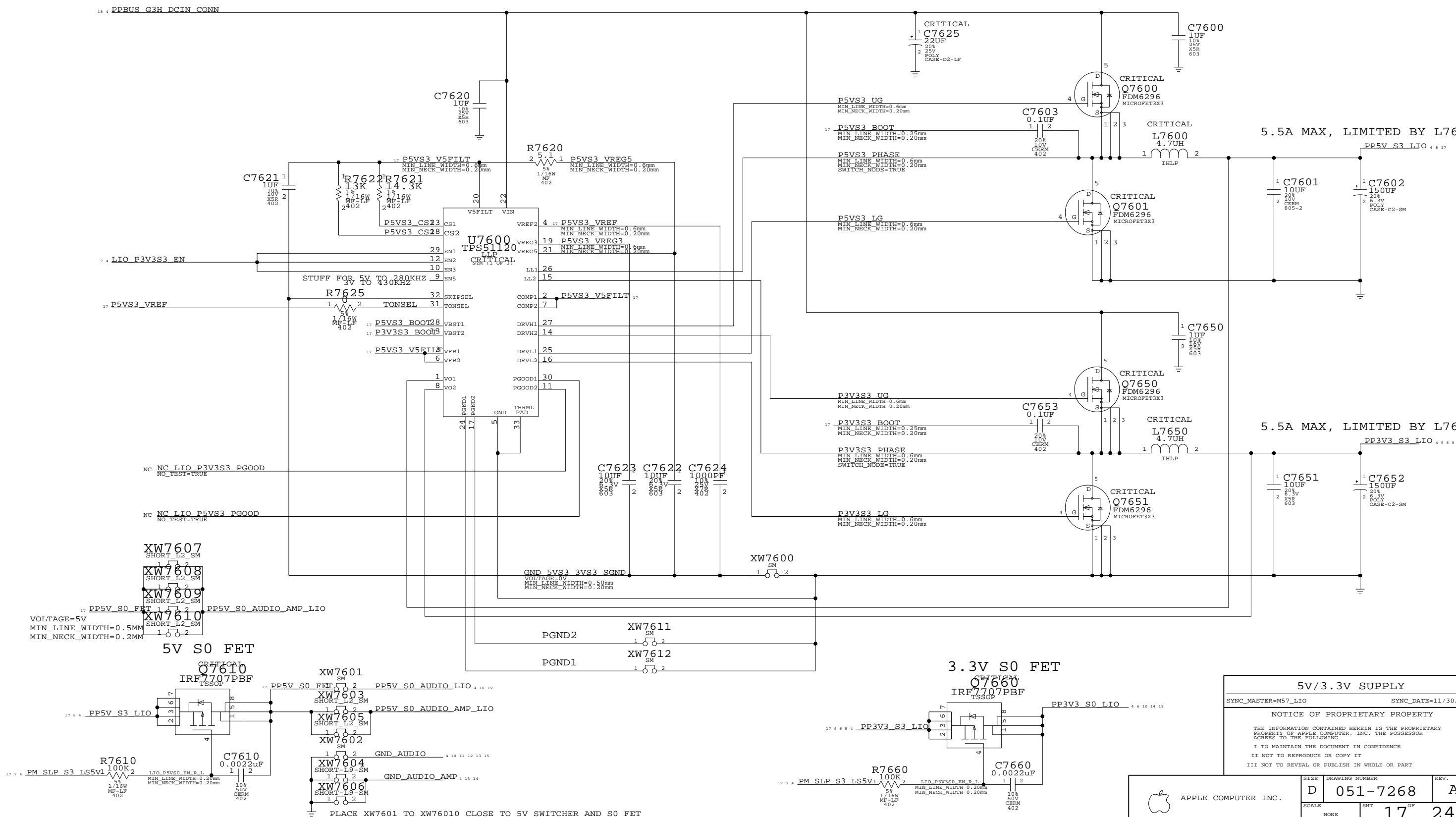
THE INFORMATION CONTAINED HEREIN IS THE PROPRIETARY PROPERTY OF APPLE COMPUTER, INC. THE POSSESSOR AGREES TO THE FOLLOWING  
 I TO MAINTAIN THE DOCUMENT IN CONFIDENCE  
 II NOT TO REPRODUCE OR COPY IT  
 III NOT TO REVEAL OR PUBLISH IN WHOLE OR PART

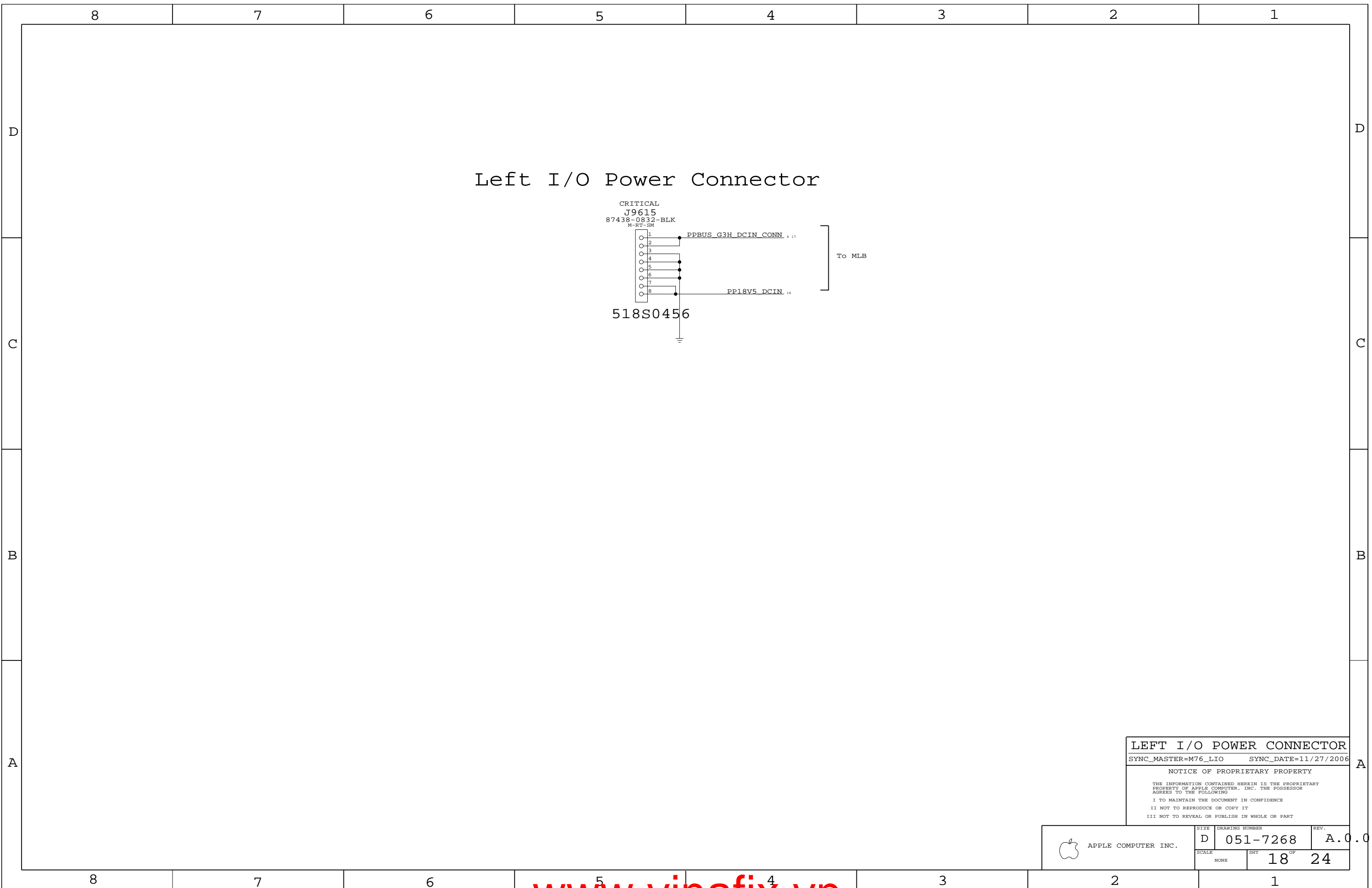
APPLE COMPUTER INC.	SIZE	DRAWING NUMBER	REV.
	D	051-7268	A.0.0
SCALE	NONE	SHT	15 OF 24



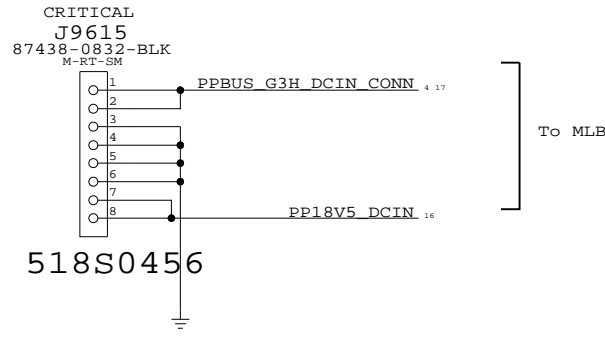


# 5V/3.3V POWER SUPPLY





# Left I/O Power Connector



## LEFT I/O POWER CONNECTOR

SYNC\_MASTER=M76\_LIO SYNC\_DATE=11/27/2006

NOTICE OF PROPRIETARY PROPERTY  
 THE INFORMATION CONTAINED HEREIN IS THE PROPRIETARY PROPERTY OF APPLE COMPUTER, INC. THE POSSESSOR AGREES TO THE FOLLOWING  
 I TO MAINTAIN THE DOCUMENT IN CONFIDENCE  
 II NOT TO REPRODUCE OR COPY IT  
 III NOT TO REVEAL OR PUBLISH IN WHOLE OR PART

APPLE COMPUTER INC.	SIZE	DRAWING NUMBER	REV.
	D	051-7268	A.0.0
	SCALE	SHT	OF
	NONE	18	24



	8	7	6	5	4	3	2	1																																																																																																																																																																																																																																																																																																																																	
D	Title: Cref Part Report Design: sync Date: Nov 17 19:00:01 2006		<table border="1"> <tr><td>R6901</td><td>RES_402</td><td>sync[10D2]</td></tr> <tr><td>R6902</td><td>RES_402</td><td>sync[10D5]</td></tr> <tr><td>R6904</td><td>RES_402</td><td>sync[10C6]</td></tr> <tr><td>R6905</td><td>RES_402</td><td>sync[10D3]</td></tr> <tr><td>R6909</td><td>RES_402</td><td>sync[10D1]</td></tr> <tr><td>R6910</td><td>RES_402</td><td>sync[10D1]</td></tr> <tr><td>R6911</td><td>RES_402</td><td>sync[10C2]</td></tr> <tr><td>R6990</td><td>RES_402</td><td>sync[10C5]</td></tr> <tr><td>R6991</td><td>RES_402</td><td>sync[10C4]</td></tr> <tr><td>R6992</td><td>RES_402</td><td>sync[10B1]</td></tr> <tr><td>R7610</td><td>RES_402</td><td>sync[11A8]</td></tr> <tr><td>R7620</td><td>RES_402</td><td>sync[11C5]</td></tr> <tr><td>R7621</td><td>RES_402</td><td>sync[11C6]</td></tr> <tr><td>R7622</td><td>RES_402</td><td>sync[11C7]</td></tr> <tr><td>R7625</td><td>RES_402</td><td>sync[11C6]</td></tr> <tr><td>R7660</td><td>RES_402</td><td>sync[11A4]</td></tr> <tr><td>SL0800</td><td>SLOT_TH</td><td>sync[4A8]</td></tr> <tr><td>U3500</td><td>PWR_CNTRL_TPS2231_QF</td><td>sync[6C5]</td></tr> <tr><td></td><td>N</td><td></td></tr> <tr><td>U3551</td><td>MC74VHC1G00_SC70-5</td><td>sync[6A6]</td></tr> <tr><td>U3560</td><td>MC74VHC1G00_SC70-5</td><td>sync[6B2]</td></tr> <tr><td>U4600</td><td>SWI_TPS2042B_MSOP</td><td>sync[8B6]</td></tr> <tr><td>U5801</td><td>OPAMP_MAX4236EUTT_SO</td><td>sync[9C5]</td></tr> <tr><td></td><td>T23-6-LF</td><td></td></tr> <tr><td>U5802</td><td>TMP106_WCSP-6</td><td>sync[9B5]</td></tr> <tr><td>U6990</td><td>COMPARTOR_LM397_SOT</td><td>sync[10C4]</td></tr> <tr><td></td><td>23-5</td><td></td></tr> <tr><td>U7600</td><td>TPS51120_ILP</td><td>sync[11C6]</td></tr> <tr><td>XW7600</td><td>SHORT_SM</td><td>sync[11A4]</td></tr> <tr><td>XW7601</td><td>SHORT_SM</td><td>sync[11A7]</td></tr> <tr><td>XW7602</td><td>SHORT_SM</td><td>sync[11A7]</td></tr> <tr><td>XW7603</td><td>SHORT_SM</td><td>sync[11A7]</td></tr> <tr><td>XW7604</td><td>SHORT_SM</td><td>sync[11A7]</td></tr> <tr><td>XW7605</td><td>SHORT_SM</td><td>sync[11A7]</td></tr> <tr><td>XW7606</td><td>SHORT_SM</td><td>sync[11A7]</td></tr> <tr><td>XW7607</td><td>SHORT_SM</td><td>sync[11B6]</td></tr> <tr><td>XW7608</td><td>SHORT_SM</td><td>sync[11B6]</td></tr> <tr><td>XW7609</td><td>SHORT_SM</td><td>sync[11A2]</td></tr> <tr><td>XW7610</td><td>SHORT_SM</td><td>sync[11A2]</td></tr> <tr><td>ZH0801</td><td>MTGHOLE</td><td>sync[4A8]</td></tr> <tr><td>ZH0802</td><td>MTGHOLE</td><td>sync[4A8]</td></tr> <tr><td>ZH0803</td><td>MTGHOLE</td><td>sync[4A8]</td></tr> <tr><td>ZH0804</td><td>MTGHOLE</td><td>sync[4A8]</td></tr> </table>						R6901	RES_402	sync[10D2]	R6902	RES_402	sync[10D5]	R6904	RES_402	sync[10C6]	R6905	RES_402	sync[10D3]	R6909	RES_402	sync[10D1]	R6910	RES_402	sync[10D1]	R6911	RES_402	sync[10C2]	R6990	RES_402	sync[10C5]	R6991	RES_402	sync[10C4]	R6992	RES_402	sync[10B1]	R7610	RES_402	sync[11A8]	R7620	RES_402	sync[11C5]	R7621	RES_402	sync[11C6]	R7622	RES_402	sync[11C7]	R7625	RES_402	sync[11C6]	R7660	RES_402	sync[11A4]	SL0800	SLOT_TH	sync[4A8]	U3500	PWR_CNTRL_TPS2231_QF	sync[6C5]		N		U3551	MC74VHC1G00_SC70-5	sync[6A6]	U3560	MC74VHC1G00_SC70-5	sync[6B2]	U4600	SWI_TPS2042B_MSOP	sync[8B6]	U5801	OPAMP_MAX4236EUTT_SO	sync[9C5]		T23-6-LF		U5802	TMP106_WCSP-6	sync[9B5]	U6990	COMPARTOR_LM397_SOT	sync[10C4]		23-5		U7600	TPS51120_ILP	sync[11C6]	XW7600	SHORT_SM	sync[11A4]	XW7601	SHORT_SM	sync[11A7]	XW7602	SHORT_SM	sync[11A7]	XW7603	SHORT_SM	sync[11A7]	XW7604	SHORT_SM	sync[11A7]	XW7605	SHORT_SM	sync[11A7]	XW7606	SHORT_SM	sync[11A7]	XW7607	SHORT_SM	sync[11B6]	XW7608	SHORT_SM	sync[11B6]	XW7609	SHORT_SM	sync[11A2]	XW7610	SHORT_SM	sync[11A2]	ZH0801	MTGHOLE	sync[4A8]	ZH0802	MTGHOLE	sync[4A8]	ZH0803	MTGHOLE	sync[4A8]	ZH0804	MTGHOLE	sync[4A8]																																																																																																																																																																																																
	R6901	RES_402	sync[10D2]																																																																																																																																																																																																																																																																																																																																						
R6902	RES_402	sync[10D5]																																																																																																																																																																																																																																																																																																																																							
R6904	RES_402	sync[10C6]																																																																																																																																																																																																																																																																																																																																							
R6905	RES_402	sync[10D3]																																																																																																																																																																																																																																																																																																																																							
R6909	RES_402	sync[10D1]																																																																																																																																																																																																																																																																																																																																							
R6910	RES_402	sync[10D1]																																																																																																																																																																																																																																																																																																																																							
R6911	RES_402	sync[10C2]																																																																																																																																																																																																																																																																																																																																							
R6990	RES_402	sync[10C5]																																																																																																																																																																																																																																																																																																																																							
R6991	RES_402	sync[10C4]																																																																																																																																																																																																																																																																																																																																							
R6992	RES_402	sync[10B1]																																																																																																																																																																																																																																																																																																																																							
R7610	RES_402	sync[11A8]																																																																																																																																																																																																																																																																																																																																							
R7620	RES_402	sync[11C5]																																																																																																																																																																																																																																																																																																																																							
R7621	RES_402	sync[11C6]																																																																																																																																																																																																																																																																																																																																							
R7622	RES_402	sync[11C7]																																																																																																																																																																																																																																																																																																																																							
R7625	RES_402	sync[11C6]																																																																																																																																																																																																																																																																																																																																							
R7660	RES_402	sync[11A4]																																																																																																																																																																																																																																																																																																																																							
SL0800	SLOT_TH	sync[4A8]																																																																																																																																																																																																																																																																																																																																							
U3500	PWR_CNTRL_TPS2231_QF	sync[6C5]																																																																																																																																																																																																																																																																																																																																							
	N																																																																																																																																																																																																																																																																																																																																								
U3551	MC74VHC1G00_SC70-5	sync[6A6]																																																																																																																																																																																																																																																																																																																																							
U3560	MC74VHC1G00_SC70-5	sync[6B2]																																																																																																																																																																																																																																																																																																																																							
U4600	SWI_TPS2042B_MSOP	sync[8B6]																																																																																																																																																																																																																																																																																																																																							
U5801	OPAMP_MAX4236EUTT_SO	sync[9C5]																																																																																																																																																																																																																																																																																																																																							
	T23-6-LF																																																																																																																																																																																																																																																																																																																																								
U5802	TMP106_WCSP-6	sync[9B5]																																																																																																																																																																																																																																																																																																																																							
U6990	COMPARTOR_LM397_SOT	sync[10C4]																																																																																																																																																																																																																																																																																																																																							
	23-5																																																																																																																																																																																																																																																																																																																																								
U7600	TPS51120_ILP	sync[11C6]																																																																																																																																																																																																																																																																																																																																							
XW7600	SHORT_SM	sync[11A4]																																																																																																																																																																																																																																																																																																																																							
XW7601	SHORT_SM	sync[11A7]																																																																																																																																																																																																																																																																																																																																							
XW7602	SHORT_SM	sync[11A7]																																																																																																																																																																																																																																																																																																																																							
XW7603	SHORT_SM	sync[11A7]																																																																																																																																																																																																																																																																																																																																							
XW7604	SHORT_SM	sync[11A7]																																																																																																																																																																																																																																																																																																																																							
XW7605	SHORT_SM	sync[11A7]																																																																																																																																																																																																																																																																																																																																							
XW7606	SHORT_SM	sync[11A7]																																																																																																																																																																																																																																																																																																																																							
XW7607	SHORT_SM	sync[11B6]																																																																																																																																																																																																																																																																																																																																							
XW7608	SHORT_SM	sync[11B6]																																																																																																																																																																																																																																																																																																																																							
XW7609	SHORT_SM	sync[11A2]																																																																																																																																																																																																																																																																																																																																							
XW7610	SHORT_SM	sync[11A2]																																																																																																																																																																																																																																																																																																																																							
ZH0801	MTGHOLE	sync[4A8]																																																																																																																																																																																																																																																																																																																																							
ZH0802	MTGHOLE	sync[4A8]																																																																																																																																																																																																																																																																																																																																							
ZH0803	MTGHOLE	sync[4A8]																																																																																																																																																																																																																																																																																																																																							
ZH0804	MTGHOLE	sync[4A8]																																																																																																																																																																																																																																																																																																																																							
C	<table border="1"> <tr><td>C3400</td><td>CAP_402</td><td>sync[5C3]</td></tr> <tr><td>C3401</td><td>CAP_603</td><td>sync[5C3]</td></tr> <tr><td>C3410</td><td>CAP_402</td><td>sync[5C3]</td></tr> <tr><td>C3411</td><td>CAP_603</td><td>sync[5C3]</td></tr> <tr><td>C3420</td><td>CAP_402</td><td>sync[5C3]</td></tr> <tr><td>C3421</td><td>CAP_603</td><td>sync[5C3]</td></tr> <tr><td>C3500</td><td>CAP_402</td><td>sync[6C4]</td></tr> <tr><td>C3501</td><td>CAP_402</td><td>sync[6C4]</td></tr> <tr><td>C3502</td><td>CAP_402</td><td>sync[6C4]</td></tr> <tr><td>C3503</td><td>CAP_603</td><td>sync[6C4]</td></tr> <tr><td>C3504</td><td>CAP_603</td><td>sync[6C4]</td></tr> <tr><td>C3505</td><td>CAP_603</td><td>sync[6C4]</td></tr> <tr><td>C3530</td><td>CAP_402</td><td>sync[6C8]</td></tr> <tr><td>C3531</td><td>CAP_603</td><td>sync[6C7]</td></tr> <tr><td>C3534</td><td>CAP_402</td><td>sync[6C8]</td></tr> <tr><td>C3535</td><td>CAP_603</td><td>sync[6C7]</td></tr> <tr><td>C3550</td><td>CAP_402</td><td>sync[6A7]</td></tr> <tr><td>C3560</td><td>CAP_402</td><td>sync[6A3]</td></tr> <tr><td>C4600</td><td>CAP_603</td><td>sync[8B7]</td></tr> <tr><td>C4601</td><td>CAP_402</td><td>sync[8B7]</td></tr> <tr><td>C4602</td><td>CAP_603</td><td>sync[8B6]</td></tr> <tr><td>C4603</td><td>CAP_P_CASE-C2-SM</td><td>sync[8B5]</td></tr> <tr><td>C4612</td><td>CAP_603</td><td>sync[8C6]</td></tr> <tr><td>C4613</td><td>CAP_P_CASE-C2-SM</td><td>sync[8C5]</td></tr> <tr><td>C4650</td><td>CAP_603</td><td>sync[8B3]</td></tr> <tr><td>C4651</td><td>CAP_603</td><td>sync[8A3]</td></tr> <tr><td>C4660</td><td>CAP_603</td><td>sync[8D3]</td></tr> <tr><td>C4661</td><td>CAP_603</td><td>sync[8C3]</td></tr> <tr><td>C5801</td><td>CAP_402</td><td>sync[9C6]</td></tr> <tr><td>C5802</td><td>CAP_402</td><td>sync[9C5]</td></tr> <tr><td>C5803</td><td>CAP_402</td><td>sync[9D5]</td></tr> <tr><td>C5804</td><td>CAP_402</td><td>sync[9B5]</td></tr> <tr><td>C5805</td><td>CAP_402</td><td>sync[9A4]</td></tr> <tr><td>C6900</td><td>CAP_805</td><td>sync[10D7]</td></tr> <tr><td>C6901</td><td>CAP_805</td><td>sync[10D7]</td></tr> <tr><td>C6903</td><td>CAP_402</td><td>sync[10D7]</td></tr> <tr><td>C6904</td><td>CAP_603</td><td>sync[10D6]</td></tr> <tr><td>C6905</td><td>CAP_603</td><td>sync[10D4]</td></tr> <tr><td>C6906</td><td>CAP_402</td><td>sync[10C2]</td></tr> <tr><td>C6907</td><td>CAP_402</td><td>sync[10B1]</td></tr> <tr><td>C7600</td><td>CAP_603</td><td>sync[11D2]</td></tr> <tr><td>C7601</td><td>CAP_805-2</td><td>sync[11C2]</td></tr> <tr><td>C7602</td><td>CAP_P_CASE-C2-SM</td><td>sync[11C1]</td></tr> <tr><td>C7603</td><td>CAP_402</td><td>sync[11C3]</td></tr> <tr><td>C7610</td><td>CAP_402</td><td>sync[11A7]</td></tr> <tr><td>C7620</td><td>CAP_603</td><td>sync[11C6]</td></tr> <tr><td>C7621</td><td>CAP_402</td><td>sync[11C7]</td></tr> <tr><td>C7622</td><td>CAP_603</td><td>sync[11B5]</td></tr> <tr><td>C7623</td><td>CAP_603</td><td>sync[11B5]</td></tr> <tr><td>C7624</td><td>CAP_402</td><td>sync[11B5]</td></tr> <tr><td>C7625</td><td>CAP_P_CASE-D2-LF</td><td>sync[11D4]</td></tr> <tr><td>C7650</td><td>CAP_603</td><td>sync[11B2]</td></tr> <tr><td>C7651</td><td>CAP_603</td><td>sync[11B2]</td></tr> <tr><td>C7652</td><td>CAP_P_CASE-C2-SM</td><td>sync[11B1]</td></tr> <tr><td>C7653</td><td>CAP_402</td><td>sync[11B3]</td></tr> <tr><td>C7660</td><td>CAP_402</td><td>sync[11A3]</td></tr> <tr><td>D4600</td><td>DIODE_SCHOT_3P_A_SC-75</td><td>sync[8A3]</td></tr> <tr><td>D4610</td><td>DIODE_SCHOT_3P_A_SC-75</td><td>sync[8C4]</td></tr> <tr><td>D6900</td><td>DIODE_SCHOT_3P_A_SC-75</td><td>sync[10C7]</td></tr> <tr><td>F6900</td><td>FUSE_1206</td><td>sync[10D5]</td></tr> <tr><td>FL3600</td><td>FILTER_4P_1210-4SM1</td><td>sync[7C3]</td></tr> <tr><td>FL3601</td><td>FILTER_4P_1210-4SM1</td><td>sync[7B3]</td></tr> <tr><td>J3400</td><td>CON_F52RT_D2MT_SM_F-ST-SM</td><td>sync[5C5]</td></tr> <tr><td>J3500</td><td>CON_F26RT_S2MT_SM_M5_9_F-RT-SM</td><td>sync[6D2]</td></tr> <tr><td>J3600</td><td>CON_F80ST_D4MT_SM_F-ST-SM</td><td>sync[7C4]</td></tr> <tr><td>J4600</td><td>CON_F4RT_USB_S2MT_TH_F-RT-TH-USB-LFT</td><td>sync[8B2]</td></tr> <tr><td>J4610</td><td>CON_F4RT_USB_S2MT_TH_F-RT-TH-USB-LFT</td><td>sync[8C2]</td></tr> <tr><td>J6900</td><td>CON_F5RT_S2MT_TH3_F-RT-TH-MG3</td><td>sync[10D8]</td></tr> <tr><td>J9615</td><td>CON_M8RT_S_SM_M-RT-S</td><td>sync[12C5]</td></tr> <tr><td></td><td>M</td><td></td></tr> <tr><td>L3400</td><td>FILTER_4P_1210-4SM1</td><td>sync[5B2]</td></tr> <tr><td>L4600</td><td>FILTER_4P_1210-4SM1</td><td>sync[8B4]</td></tr> <tr><td>L4601</td><td>IND_0603</td><td>sync[8B4]</td></tr> <tr><td>L4610</td><td>FILTER_4P_1210-4SM1</td><td>sync[8C4]</td></tr> <tr><td>L4611</td><td>IND_0603</td><td>sync[8D4]</td></tr> <tr><td>L4650</td><td>IND_0603</td><td>sync[8A4]</td></tr> <tr><td>L4660</td><td>IND_0603</td><td>sync[8C4]</td></tr> <tr><td>L6900</td><td>FILTER_4P_SM</td><td>sync[10D6]</td></tr> <tr><td>L6901</td><td>IND_SM-1</td><td>sync[10D6]</td></tr> <tr><td>L7600</td><td>IND_IHLP</td><td>sync[11C2]</td></tr> <tr><td>L7650</td><td>IND_IHLP</td><td>sync[11B2]</td></tr> <tr><td>PDS801</td><td>PHOTODIODE_2P_TH-WTH-SPCR</td><td>sync[9C6]</td></tr> <tr><td>Q3560</td><td>TRA_2N7002_SOT23-LF</td><td>sync[6B3]</td></tr> <tr><td>Q5801</td><td>TRA_2N7002_SOT23-LF</td><td>sync[9C5]</td></tr> <tr><td>Q6900</td><td>TRA_2N7002DW_SOT-363</td><td>sync[10C1 10C3]</td></tr> <tr><td>Q6901</td><td>TRA_2N7002DW_SOT-363</td><td>sync[10C1 10C2]</td></tr> <tr><td>Q6909</td><td>TRA_TP0610_SOT23-3</td><td>sync[10D2]</td></tr> <tr><td>Q7600</td><td>TRA_FDM6296_MICROFET</td><td>sync[11C3]</td></tr> <tr><td></td><td>3X3</td><td></td></tr> <tr><td>Q7601</td><td>TRA_FDM6296_MICROFET</td><td>sync[11C3]</td></tr> <tr><td></td><td>3X3</td><td></td></tr> <tr><td>Q7610</td><td>TRA_IRF7707_TSSOP</td><td>sync[11A7]</td></tr> <tr><td>Q7650</td><td>TRA_S17212DN_PWRPK-1</td><td>sync[11B3 11B3]</td></tr> <tr><td></td><td>212-8</td><td></td></tr> <tr><td>Q7660</td><td>TRA_IRF7707_TSSOP</td><td>sync[11A3]</td></tr> <tr><td>R3500</td><td>RES_402</td><td>sync[6C6]</td></tr> <tr><td>R3560</td><td>RES_402</td><td>sync[6B3]</td></tr> <tr><td>R3561</td><td>RES_402</td><td>sync[6B3]</td></tr> <tr><td>R3570</td><td>RES_402</td><td>sync[6B2]</td></tr> <tr><td>R3571</td><td>RES_402</td><td>sync[6D3]</td></tr> <tr><td>R3600</td><td>RES_402</td><td>sync[7B4]</td></tr> <tr><td>R5801</td><td>RES_402</td><td>sync[9C6]</td></tr> <tr><td>R5802</td><td>RES_402</td><td>sync[9C6]</td></tr> <tr><td>R5803</td><td>RES_402</td><td>sync[9C5]</td></tr> <tr><td>R5804</td><td>RES_402</td><td>sync[9C5]</td></tr> <tr><td>R5805</td><td>RES_402</td><td>sync[9C5]</td></tr> <tr><td>R5806</td><td>RES_402</td><td>sync[9C4]</td></tr> <tr><td>R5807</td><td>RES_402</td><td>sync[9C4]</td></tr> <tr><td>R6900</td><td>RES_402</td><td>sync[10C2]</td></tr> </table>		C3400	CAP_402	sync[5C3]	C3401	CAP_603	sync[5C3]	C3410	CAP_402	sync[5C3]	C3411	CAP_603	sync[5C3]	C3420	CAP_402	sync[5C3]	C3421	CAP_603	sync[5C3]	C3500	CAP_402	sync[6C4]	C3501	CAP_402	sync[6C4]	C3502	CAP_402	sync[6C4]	C3503	CAP_603	sync[6C4]	C3504	CAP_603	sync[6C4]	C3505	CAP_603	sync[6C4]	C3530	CAP_402	sync[6C8]	C3531	CAP_603	sync[6C7]	C3534	CAP_402	sync[6C8]	C3535	CAP_603	sync[6C7]	C3550	CAP_402	sync[6A7]	C3560	CAP_402	sync[6A3]	C4600	CAP_603	sync[8B7]	C4601	CAP_402	sync[8B7]	C4602	CAP_603	sync[8B6]	C4603	CAP_P_CASE-C2-SM	sync[8B5]	C4612	CAP_603	sync[8C6]	C4613	CAP_P_CASE-C2-SM	sync[8C5]	C4650	CAP_603	sync[8B3]	C4651	CAP_603	sync[8A3]	C4660	CAP_603	sync[8D3]	C4661	CAP_603	sync[8C3]	C5801	CAP_402	sync[9C6]	C5802	CAP_402	sync[9C5]	C5803	CAP_402	sync[9D5]	C5804	CAP_402	sync[9B5]	C5805	CAP_402	sync[9A4]	C6900	CAP_805	sync[10D7]	C6901	CAP_805	sync[10D7]	C6903	CAP_402	sync[10D7]	C6904	CAP_603	sync[10D6]	C6905	CAP_603	sync[10D4]	C6906	CAP_402	sync[10C2]	C6907	CAP_402	sync[10B1]	C7600	CAP_603	sync[11D2]	C7601	CAP_805-2	sync[11C2]	C7602	CAP_P_CASE-C2-SM	sync[11C1]	C7603	CAP_402	sync[11C3]	C7610	CAP_402	sync[11A7]	C7620	CAP_603	sync[11C6]	C7621	CAP_402	sync[11C7]	C7622	CAP_603	sync[11B5]	C7623	CAP_603	sync[11B5]	C7624	CAP_402	sync[11B5]	C7625	CAP_P_CASE-D2-LF	sync[11D4]	C7650	CAP_603	sync[11B2]	C7651	CAP_603	sync[11B2]	C7652	CAP_P_CASE-C2-SM	sync[11B1]	C7653	CAP_402	sync[11B3]	C7660	CAP_402	sync[11A3]	D4600	DIODE_SCHOT_3P_A_SC-75	sync[8A3]	D4610	DIODE_SCHOT_3P_A_SC-75	sync[8C4]	D6900	DIODE_SCHOT_3P_A_SC-75	sync[10C7]	F6900	FUSE_1206	sync[10D5]	FL3600	FILTER_4P_1210-4SM1	sync[7C3]	FL3601	FILTER_4P_1210-4SM1	sync[7B3]	J3400	CON_F52RT_D2MT_SM_F-ST-SM	sync[5C5]	J3500	CON_F26RT_S2MT_SM_M5_9_F-RT-SM	sync[6D2]	J3600	CON_F80ST_D4MT_SM_F-ST-SM	sync[7C4]	J4600	CON_F4RT_USB_S2MT_TH_F-RT-TH-USB-LFT	sync[8B2]	J4610	CON_F4RT_USB_S2MT_TH_F-RT-TH-USB-LFT	sync[8C2]	J6900	CON_F5RT_S2MT_TH3_F-RT-TH-MG3	sync[10D8]	J9615	CON_M8RT_S_SM_M-RT-S	sync[12C5]		M		L3400	FILTER_4P_1210-4SM1	sync[5B2]	L4600	FILTER_4P_1210-4SM1	sync[8B4]	L4601	IND_0603	sync[8B4]	L4610	FILTER_4P_1210-4SM1	sync[8C4]	L4611	IND_0603	sync[8D4]	L4650	IND_0603	sync[8A4]	L4660	IND_0603	sync[8C4]	L6900	FILTER_4P_SM	sync[10D6]	L6901	IND_SM-1	sync[10D6]	L7600	IND_IHLP	sync[11C2]	L7650	IND_IHLP	sync[11B2]	PDS801	PHOTODIODE_2P_TH-WTH-SPCR	sync[9C6]	Q3560	TRA_2N7002_SOT23-LF	sync[6B3]	Q5801	TRA_2N7002_SOT23-LF	sync[9C5]	Q6900	TRA_2N7002DW_SOT-363	sync[10C1 10C3]	Q6901	TRA_2N7002DW_SOT-363	sync[10C1 10C2]	Q6909	TRA_TP0610_SOT23-3	sync[10D2]	Q7600	TRA_FDM6296_MICROFET	sync[11C3]		3X3		Q7601	TRA_FDM6296_MICROFET	sync[11C3]		3X3		Q7610	TRA_IRF7707_TSSOP	sync[11A7]	Q7650	TRA_S17212DN_PWRPK-1	sync[11B3 11B3]		212-8		Q7660	TRA_IRF7707_TSSOP	sync[11A3]	R3500	RES_402	sync[6C6]	R3560	RES_402	sync[6B3]	R3561	RES_402	sync[6B3]	R3570	RES_402	sync[6B2]	R3571	RES_402	sync[6D3]	R3600	RES_402	sync[7B4]	R5801	RES_402	sync[9C6]	R5802	RES_402	sync[9C6]	R5803	RES_402	sync[9C5]	R5804	RES_402	sync[9C5]	R5805	RES_402	sync[9C5]	R5806	RES_402	sync[9C4]	R5807	RES_402	sync[9C4]	R6900	RES_402	sync[10C2]
C3400	CAP_402	sync[5C3]																																																																																																																																																																																																																																																																																																																																							
C3401	CAP_603	sync[5C3]																																																																																																																																																																																																																																																																																																																																							
C3410	CAP_402	sync[5C3]																																																																																																																																																																																																																																																																																																																																							
C3411	CAP_603	sync[5C3]																																																																																																																																																																																																																																																																																																																																							
C3420	CAP_402	sync[5C3]																																																																																																																																																																																																																																																																																																																																							
C3421	CAP_603	sync[5C3]																																																																																																																																																																																																																																																																																																																																							
C3500	CAP_402	sync[6C4]																																																																																																																																																																																																																																																																																																																																							
C3501	CAP_402	sync[6C4]																																																																																																																																																																																																																																																																																																																																							
C3502	CAP_402	sync[6C4]																																																																																																																																																																																																																																																																																																																																							
C3503	CAP_603	sync[6C4]																																																																																																																																																																																																																																																																																																																																							
C3504	CAP_603	sync[6C4]																																																																																																																																																																																																																																																																																																																																							
C3505	CAP_603	sync[6C4]																																																																																																																																																																																																																																																																																																																																							
C3530	CAP_402	sync[6C8]																																																																																																																																																																																																																																																																																																																																							
C3531	CAP_603	sync[6C7]																																																																																																																																																																																																																																																																																																																																							
C3534	CAP_402	sync[6C8]																																																																																																																																																																																																																																																																																																																																							
C3535	CAP_603	sync[6C7]																																																																																																																																																																																																																																																																																																																																							
C3550	CAP_402	sync[6A7]																																																																																																																																																																																																																																																																																																																																							
C3560	CAP_402	sync[6A3]																																																																																																																																																																																																																																																																																																																																							
C4600	CAP_603	sync[8B7]																																																																																																																																																																																																																																																																																																																																							
C4601	CAP_402	sync[8B7]																																																																																																																																																																																																																																																																																																																																							
C4602	CAP_603	sync[8B6]																																																																																																																																																																																																																																																																																																																																							
C4603	CAP_P_CASE-C2-SM	sync[8B5]																																																																																																																																																																																																																																																																																																																																							
C4612	CAP_603	sync[8C6]																																																																																																																																																																																																																																																																																																																																							
C4613	CAP_P_CASE-C2-SM	sync[8C5]																																																																																																																																																																																																																																																																																																																																							
C4650	CAP_603	sync[8B3]																																																																																																																																																																																																																																																																																																																																							
C4651	CAP_603	sync[8A3]																																																																																																																																																																																																																																																																																																																																							
C4660	CAP_603	sync[8D3]																																																																																																																																																																																																																																																																																																																																							
C4661	CAP_603	sync[8C3]																																																																																																																																																																																																																																																																																																																																							
C5801	CAP_402	sync[9C6]																																																																																																																																																																																																																																																																																																																																							
C5802	CAP_402	sync[9C5]																																																																																																																																																																																																																																																																																																																																							
C5803	CAP_402	sync[9D5]																																																																																																																																																																																																																																																																																																																																							
C5804	CAP_402	sync[9B5]																																																																																																																																																																																																																																																																																																																																							
C5805	CAP_402	sync[9A4]																																																																																																																																																																																																																																																																																																																																							
C6900	CAP_805	sync[10D7]																																																																																																																																																																																																																																																																																																																																							
C6901	CAP_805	sync[10D7]																																																																																																																																																																																																																																																																																																																																							
C6903	CAP_402	sync[10D7]																																																																																																																																																																																																																																																																																																																																							
C6904	CAP_603	sync[10D6]																																																																																																																																																																																																																																																																																																																																							
C6905	CAP_603	sync[10D4]																																																																																																																																																																																																																																																																																																																																							
C6906	CAP_402	sync[10C2]																																																																																																																																																																																																																																																																																																																																							
C6907	CAP_402	sync[10B1]																																																																																																																																																																																																																																																																																																																																							
C7600	CAP_603	sync[11D2]																																																																																																																																																																																																																																																																																																																																							
C7601	CAP_805-2	sync[11C2]																																																																																																																																																																																																																																																																																																																																							
C7602	CAP_P_CASE-C2-SM	sync[11C1]																																																																																																																																																																																																																																																																																																																																							
C7603	CAP_402	sync[11C3]																																																																																																																																																																																																																																																																																																																																							
C7610	CAP_402	sync[11A7]																																																																																																																																																																																																																																																																																																																																							
C7620	CAP_603	sync[11C6]																																																																																																																																																																																																																																																																																																																																							
C7621	CAP_402	sync[11C7]																																																																																																																																																																																																																																																																																																																																							
C7622	CAP_603	sync[11B5]																																																																																																																																																																																																																																																																																																																																							
C7623	CAP_603	sync[11B5]																																																																																																																																																																																																																																																																																																																																							
C7624	CAP_402	sync[11B5]																																																																																																																																																																																																																																																																																																																																							
C7625	CAP_P_CASE-D2-LF	sync[11D4]																																																																																																																																																																																																																																																																																																																																							
C7650	CAP_603	sync[11B2]																																																																																																																																																																																																																																																																																																																																							
C7651	CAP_603	sync[11B2]																																																																																																																																																																																																																																																																																																																																							
C7652	CAP_P_CASE-C2-SM	sync[11B1]																																																																																																																																																																																																																																																																																																																																							
C7653	CAP_402	sync[11B3]																																																																																																																																																																																																																																																																																																																																							
C7660	CAP_402	sync[11A3]																																																																																																																																																																																																																																																																																																																																							
D4600	DIODE_SCHOT_3P_A_SC-75	sync[8A3]																																																																																																																																																																																																																																																																																																																																							
D4610	DIODE_SCHOT_3P_A_SC-75	sync[8C4]																																																																																																																																																																																																																																																																																																																																							
D6900	DIODE_SCHOT_3P_A_SC-75	sync[10C7]																																																																																																																																																																																																																																																																																																																																							
F6900	FUSE_1206	sync[10D5]																																																																																																																																																																																																																																																																																																																																							
FL3600	FILTER_4P_1210-4SM1	sync[7C3]																																																																																																																																																																																																																																																																																																																																							
FL3601	FILTER_4P_1210-4SM1	sync[7B3]																																																																																																																																																																																																																																																																																																																																							
J3400	CON_F52RT_D2MT_SM_F-ST-SM	sync[5C5]																																																																																																																																																																																																																																																																																																																																							
J3500	CON_F26RT_S2MT_SM_M5_9_F-RT-SM	sync[6D2]																																																																																																																																																																																																																																																																																																																																							
J3600	CON_F80ST_D4MT_SM_F-ST-SM	sync[7C4]																																																																																																																																																																																																																																																																																																																																							
J4600	CON_F4RT_USB_S2MT_TH_F-RT-TH-USB-LFT	sync[8B2]																																																																																																																																																																																																																																																																																																																																							
J4610	CON_F4RT_USB_S2MT_TH_F-RT-TH-USB-LFT	sync[8C2]																																																																																																																																																																																																																																																																																																																																							
J6900	CON_F5RT_S2MT_TH3_F-RT-TH-MG3	sync[10D8]																																																																																																																																																																																																																																																																																																																																							
J9615	CON_M8RT_S_SM_M-RT-S	sync[12C5]																																																																																																																																																																																																																																																																																																																																							
	M																																																																																																																																																																																																																																																																																																																																								
L3400	FILTER_4P_1210-4SM1	sync[5B2]																																																																																																																																																																																																																																																																																																																																							
L4600	FILTER_4P_1210-4SM1	sync[8B4]																																																																																																																																																																																																																																																																																																																																							
L4601	IND_0603	sync[8B4]																																																																																																																																																																																																																																																																																																																																							
L4610	FILTER_4P_1210-4SM1	sync[8C4]																																																																																																																																																																																																																																																																																																																																							
L4611	IND_0603	sync[8D4]																																																																																																																																																																																																																																																																																																																																							
L4650	IND_0603	sync[8A4]																																																																																																																																																																																																																																																																																																																																							
L4660	IND_0603	sync[8C4]																																																																																																																																																																																																																																																																																																																																							
L6900	FILTER_4P_SM	sync[10D6]																																																																																																																																																																																																																																																																																																																																							
L6901	IND_SM-1	sync[10D6]																																																																																																																																																																																																																																																																																																																																							
L7600	IND_IHLP	sync[11C2]																																																																																																																																																																																																																																																																																																																																							
L7650	IND_IHLP	sync[11B2]																																																																																																																																																																																																																																																																																																																																							
PDS801	PHOTODIODE_2P_TH-WTH-SPCR	sync[9C6]																																																																																																																																																																																																																																																																																																																																							
Q3560	TRA_2N7002_SOT23-LF	sync[6B3]																																																																																																																																																																																																																																																																																																																																							
Q5801	TRA_2N7002_SOT23-LF	sync[9C5]																																																																																																																																																																																																																																																																																																																																							
Q6900	TRA_2N7002DW_SOT-363	sync[10C1 10C3]																																																																																																																																																																																																																																																																																																																																							
Q6901	TRA_2N7002DW_SOT-363	sync[10C1 10C2]																																																																																																																																																																																																																																																																																																																																							
Q6909	TRA_TP0610_SOT23-3	sync[10D2]																																																																																																																																																																																																																																																																																																																																							
Q7600	TRA_FDM6296_MICROFET	sync[11C3]																																																																																																																																																																																																																																																																																																																																							
	3X3																																																																																																																																																																																																																																																																																																																																								
Q7601	TRA_FDM6296_MICROFET	sync[11C3]																																																																																																																																																																																																																																																																																																																																							
	3X3																																																																																																																																																																																																																																																																																																																																								
Q7610	TRA_IRF7707_TSSOP	sync[11A7]																																																																																																																																																																																																																																																																																																																																							
Q7650	TRA_S17212DN_PWRPK-1	sync[11B3 11B3]																																																																																																																																																																																																																																																																																																																																							
	212-8																																																																																																																																																																																																																																																																																																																																								
Q7660	TRA_IRF7707_TSSOP	sync[11A3]																																																																																																																																																																																																																																																																																																																																							
R3500	RES_402	sync[6C6]																																																																																																																																																																																																																																																																																																																																							
R3560	RES_402	sync[6B3]																																																																																																																																																																																																																																																																																																																																							
R3561	RES_402	sync[6B3]																																																																																																																																																																																																																																																																																																																																							
R3570	RES_402	sync[6B2]																																																																																																																																																																																																																																																																																																																																							
R3571	RES_402	sync[6D3]																																																																																																																																																																																																																																																																																																																																							
R3600	RES_402	sync[7B4]																																																																																																																																																																																																																																																																																																																																							
R5801	RES_402	sync[9C6]																																																																																																																																																																																																																																																																																																																																							
R5802	RES_402	sync[9C6]																																																																																																																																																																																																																																																																																																																																							
R5803	RES_402	sync[9C5]																																																																																																																																																																																																																																																																																																																																							
R5804	RES_402	sync[9C5]																																																																																																																																																																																																																																																																																																																																							
R5805	RES_402	sync[9C5]																																																																																																																																																																																																																																																																																																																																							
R5806	RES_402	sync[9C4]																																																																																																																																																																																																																																																																																																																																							
R5807	RES_402	sync[9C4]																																																																																																																																																																																																																																																																																																																																							
R6900	RES_402	sync[10C2]																																																																																																																																																																																																																																																																																																																																							
B																																																																																																																																																																																																																																																																																																																																									
A																																																																																																																																																																																																																																																																																																																																									
	8	7	6	5	4	3	2	1																																																																																																																																																																																																																																																																																																																																	

8 7 6 5 4 3 2 1

# CHANGE LIST

11/27/06:

FIRST M76 LIMA SCHEMATIC CHECK-IN  
FUTURE UPDATES LOGGED IN PERFORCE

D

D

C

C

B

B

A

A

8 7 6 5 4 3 2 1


**HISTORY: NON-AUDIO**

SYNC\_MASTER=(MASTER) SYNC\_DATE=(MASTER)

**NOTICE OF PROPRIETARY PROPERTY**

THE INFORMATION CONTAINED HEREIN IS THE PROPRIETARY PROPERTY OF APPLE COMPUTER, INC. THE POSSESSOR AGREES TO THE FOLLOWING


I TO MAINTAIN THE DOCUMENT IN CONFIDENCE  
 II NOT TO REPRODUCE OR COPY IT  
 III NOT TO REVEAL OR PUBLISH IN WHOLE OR PART

 APPLE COMPUTER INC.	SIZE	DRAWING NUMBER	REV.
	D	051-7268	A.0.0
SCALE	SHT		OF
NONE	21		24

CHANGE LIST

MAY 03 2006:FIRST RELEASE  
MAY 04 2006:REMOVED U7350  
MAY 10 2006:CONNECT XW7200.1 TO GND AUDIO PWR INSTEAD OF 5V. REPLACED C7301/02/04/52/53/55 WITH ZAP DIODES  
MAY 25 2006:REPLACED R6801, R7000, R7200 WITH 155S0138. CHANGED C6803 TO 22UF ROHS COMPLIANT CAP  
MAY 31 2006:CHANGE U6800 TO 353S1458, DC SCREENED VERSION. CHANGED NETNAME "=GND\_AUDIO\_PWR" TO "=GND\_AUDIO\_AMP"  
JUNE 1 2006:CHANGED NETNAME "=PP5V\_S0\_AUDIO\_PWR" TO "=PP5V\_S0\_AUDIO\_AMP"  
JUNE 1 2006:ADDED NETNAMES TO NC PINS ON U6800. ADDED "NO\_TEST=TRUE" ATTRIBUTES TO NC NETS.  
JUNE 28 2006:ADDED CRITICAL TO U6800. REMOVE "?" FROM BOMOPTION TABLE

NOTICE OF PROPRIETARY PROPERTY  
THE INFORMATION CONTAINED HEREIN IS THE PROPRIETARY PROPERTY OF APPLE COMPUTER, INC. THE POSSESSOR AGREES TO THE FOLLOWING  
I TO MAINTAIN THE DOCUMENT IN CONFIDENCE  
II NOT TO REPRODUCE OR COPY IT  
III NOT TO REVEAL OR PUBLISH IN WHOLE OR PART

 APPLE COMPUTER INC.	SIZE	D	DRAWING NUMBER	051-7268	REV.	A.0.0
	SCALE	NONE	SHT	22	OF	24





8	7	6	5	4	3	2	1				
Title: Cref Part Report Design: lio Date: May 7 16:46:17 2007											
C3400	CAP_402	lio[5C3]	C7624	CAP_402	lio[17B5]	R6222	RES_402	lio[10A4]	XW7605	L9-SM	
C3401	CAP_603	lio[5C3]	C7625	CAP_P_CASE-D2-LF	lio[17D4]	R6250	RES_402	lio[10B1]	XW7606	SHORT_LAYER_2_SHORT_	lio[17A7]
C3410	CAP_603	lio[5C3]	C7650	CAP_603	lio[17B2]	R6251	RES_402	lio[10B1]		L2_SM	
C3411	CAP_402	lio[5C3]	C7651	CAP_603	lio[17B2]	R6300	RES_402	lio[11B3]		SHORT_LAYER_9_SHORT-	lio[17A7]
C3420	CAP_603	lio[5C3]	C7652	CAP_P_CASE-C2-SM	lio[17B1]	R6301	RES_402	lio[11B6]		L9-SM	
C3421	CAP_402	lio[5C3]	C7653	CAP_402	lio[17B3]	R6302	RES_402	lio[11C5]		SHORT_LAYER_2_SHORT_	lio[17A7]
C3422	CAP_402	lio[5C3]	C7660	CAP_402	lio[17A3]	R6303	RES_402	lio[11B5]		L2_SM	
C3450	CAP_402	lio[5C3]	D4600	DIODE_SCHOT_3P_A_SC-	lio[8A3]	R6310	RES_402	lio[11C4]		SHORT_LAYER_2_SHORT_	lio[17A7]
C3451	CAP_402	lio[5C3]	D4610	DIODE_SCHOT_3P_A_SC-	lio[8C4]	R6311	RES_402	lio[11C4]		L2_SM	
C3500	CAP_402	lio[6C4]	D6900	RCLAMP2402B_SC-75	lio[16C7]	R6312	RES_402	lio[11C4]		SHORT_LAYER_2_SHORT_	lio[17A7]
C3501	CAP_402	lio[6C4]	D26700	SUPPR_TRANSIENT1_402	lio[14C5]	R6313	RES_402	lio[11C4]		L2_SM	
C3502	CAP_402	lio[6C4]	D26701	SUPPR_TRANSIENT1_402	lio[14C6]	R6321	RES_402	lio[11B4]		SHORT_LAYER_2_SHORT_	lio[17A7]
C3503	CAP_603	lio[6C4]	D26702	SUPPR_TRANSIENT1_402	lio[14C5]	R6322	RES_402	lio[11B4]		L2_SM	
C3504	CAP_603	lio[6C4]	D26703	SUPPR_TRANSIENT1_402	lio[14C5]	R6323	RES_402	lio[11B4]		SHORT_LAYER_2_SHORT_	lio[17A7]
C3505	CAP_603	lio[6C4]	D26750	SUPPR_TRANSIENT1_402	lio[14A5]	R6500	RES_402	lio[12C5]		L2_SM	
C3530	CAP_402	lio[6C8]	D26751	SUPPR_TRANSIENT1_402	lio[14A6]	R6510	RES_402	lio[12B5]		SHORT_SM	lio[17A5]
C3531	CAP_603	lio[6C7]	D26752	SUPPR_TRANSIENT1_402	lio[14A5]	R6511	RES_402	lio[12B4]		SHORT_SM	lio[17A5]
C3534	CAP_402	lio[6C8]	D26753	SUPPR_TRANSIENT1_402	lio[14A5]	R6512	RES_402	lio[12B4]		MTGHOLE	lio[4A8]
C3535	CAP_603	lio[6C7]	F6900	FUSE_1206	lio[16D5]	R6513	RES_603	lio[12D3]		MTGHOLE	lio[4A8]
C3550	CAP_402	lio[6A7]	FL3600	FILTER_4P_1210-4SM1	lio[7C3]	R6514	RES_402	lio[12C3]			
C3560	CAP_603	lio[6A3]	FL3601	FILTER_4P_1210-4SM1	lio[7B3]	R6520	RES_402	lio[12A5]			
C4600	CAP_402	lio[8B7]	J3400	CON_F52RT_D2MT_SM_F-	lio[5C5]	R6521	RES_402	lio[12A4]			
C4601	CAP_603	lio[8B6]	J3500	CON_F26RT_S3MT_SM_M7	lio[6D2]	R6522	RES_402	lio[12A4]			
C4602	CAP_603	lio[8B6]	J3600	CON_M30ST_D4MT_SM_M-	lio[7C4]	R6523	RES_603	lio[12C2]			
C4603	CAP_P_CASE-C2-SM	lio[8B5]	J4600	CON_F4RT_USB_S2MT_TH	lio[8B2]	R6524	RES_402	lio[12C3]			
C4612	CAP_603	lio[8C6]	J4610	CON_F4RT_USB_S2MT_TH	lio[8C2]	R6600	RES_402	lio[13D7]			
C4613	CAP_P_CASE-C2-SM	lio[8C5]	J6700	CON_F8RT_SPDIFFRAN_T	lio[14C8]	R6601	RES_402	lio[13C7]			
C4650	CAP_603	lio[8B3]	J6750	CON_F8RT_SPDIFRCVR_T	lio[14B8]	R6605	RES_402	lio[13C4]			
C4660	CAP_603	lio[8D3]	J6780	CON_M3ST_S_TH_M-ST-T	lio[14D1]	R6606	RES_402	lio[13B4]			
C5801	CAP_402	lio[9C6]	J6781	CON_M5ST_S_TH_M-ST-T	lio[14C1]	R6607	RES_402	lio[13B4]			
C5802	CAP_402	lio[9C5]	J6782	CON_M5ST_S_TH_M-ST-T	lio[14C1]	R6610	RES_402	lio[13D2]			
C5803	CAP_402	lio[9D5]	J6900	CON_F5RT_S2MT_TH3_F-	lio[16D8]	R6611	RES_402	lio[13D2]			
C5804	CAP_402	lio[9B5]	J9615	CON_M8RT_S_SM_M-RT-S	lio[18C5]	R6620	RES_402	lio[13C2]			
C5805	CAP_402	lio[9A4]	L3400	FILTER_4P_1210-4SM1	lio[5B2]	R6621	RES_402	lio[13C2]			
C6200	CAP_402	lio[10D6]	L4600	FILTER_4P_1210-4SM1	lio[8B4]	R6630	RES_402	lio[13B2]			
C6201	CAP_402	lio[10D6]	L4601	IND_0603	lio[8B4]	R6631	RES_402	lio[13B2]			
C6203	CAP_402	lio[10D6]	L4610	FILTER_4P_1210-4SM1	lio[8C4]	R6640	RES_402	lio[13B2]			
C6204	CAP_P_CASE-A3-LF	lio[10D4]	L4611	IND_0603	lio[8D4]	R6641	RES_402	lio[13B2]			
C6205	CAP_P_CASE-A3-LF	lio[10A4]	L6200	IND_0402	lio[10A6]	R6700	RES_603	lio[14D6]			
C6206	CAP_402	lio[10D4]	L6201	IND_0402	lio[10D7]	R6701	RES_402	lio[14C6]			
C6207	CAP_402	lio[10D3]	L6202	IND_0402	lio[10D4]	R6702	RES_402	lio[14C6]			
C6208	CAP_603	lio[10A6]	L6300	IND_0402	lio[11C6]	R6703	RES_402	lio[14C6]			
C6209	CAP_402	lio[10A5]	L6500	IND_0402	lio[11C5]	R6704	RES_402	lio[14C6]			
C6210	CAP_402	lio[10A6]	L6501	IND_0402	lio[12C6]	R6710	RES_402	lio[14C4]			
C6220	CAP_P_SMA-LF	lio[10B6]	L6601	IND_0402	lio[13C7]	R6750	RES_402	lio[14B6]			
C6221	CAP_P_SMA-LF	lio[10B4]	L6610	IND_0402	lio[13D7]	R6751	RES_402	lio[14B6]			
C6222	CAP_402	lio[10B4]	L6620	IND_0402	lio[13C7]	R6752	RES_402	lio[14B6]			
C6300	CAP_402	lio[11C4]	L6630	IND_0402	lio[13B7]	R6753	RES_402	lio[14A6]			
C6301	CAP_402	lio[11C4]	L6640	IND_0402	lio[13A7]	R6754	RES_402	lio[14A6]			
C6302	CAP_P_CASE-B2	lio[11B3]	L6700	FILTER_2P_0603	lio[14D4]	R6755	RES_402	lio[14B7]			
C6303	CAP_402	lio[11B3]	L6701	IND_0402	lio[14C4]	R6780	RES_402	lio[14C2]			
C6310	CAP_P_CASE-R	lio[11C5]	L6702	IND_0402	lio[14C4]	R6781	RES_402	lio[14C1]			
C6311	CAP_P_CASE-R	lio[11C5]	L6750	IND_0402	lio[14C4]	R6790	RES_402	lio[14A2]			
C6312	CAP_805-1	lio[11C3]	L6751	IND_0402	lio[14B4]	R6801	RES_402	lio[15C7]			
C6320	CAP_P_CASE-R	lio[11B5]	L6752	IND_0402	lio[14A4]	R6802	RES_402	lio[15C7]			
C6321	CAP_P_CASE-R	lio[11B5]	L6753	IND_0402	lio[14A4]	R6803	RES_402	lio[15B7]			
C6322	CAP_805-1	lio[11B3]	L6754	IND_0402	lio[14A4]	R6805	RES_402	lio[15C5]			
C6500	CAP_0805	lio[12D5]	L6800	IND_0402	lio[15B2]	R6806	RES_402	lio[15C5]			
C6501	CAP_402	lio[12D5]	L6900	FILTER_4P_SM	lio[16D6]	R6811	RES_402	lio[15A7]			
C6502	CAP_0805	lio[12C4]	L6901	IND_SM-1	lio[16D6]	R6812	RES_402	lio[15A7]			
C6503	CAP_402	lio[12C4]	L7600	IND_HELP	lio[17C2]	R6813	RES_402	lio[15A6]			
C6504	CAP_603	lio[12C3]	L7650	IND_HELP	lio[17B2]	R6814	RES_402	lio[15A5]			
C6510	CAP_P_SMA-LF	lio[12B6]	PD5801	PHOTODIODE_2P_TH-WTH	lio[9C6]	R6815	RES_402	lio[15A5]			
C6511	CAP_402	lio[12B4]	Q3450	TRA_SINGLE_MOSFET_PC	lio[5D2]	R6850	RES_402	lio[15D3]			
C6512	CAP_603	lio[12B4]	Q5801	TRA_2N7002_SOT23-LF	lio[9C5]	R6852	RES_402	lio[15D3]			
C6520	CAP_P_SMA-LF	lio[12A6]	Q6800	TRA_DUAL_SSM6N15FE_S	lio[15B6 15C6]	R6853	RES_402	lio[15C3]			
C6521	CAP_402	lio[12A4]	Q6801	TRA_DUAL_SSM6N15FE_S	lio[15C5 15C5]	R6854	RES_402	lio[15C3]			
C6522	CAP_603	lio[12B4]	Q6802	TRA_SSM3K15FV_SOD-VE	lio[15A6]	R6855	RES_402	lio[15D3]			
C6600	CAP_P_CASE-B2	lio[13A3]	Q6803	TRA_DUAL_SSM6N15FE_S	lio[15A5 15A5]	R6861	RES_402	lio[15B7]			
C6601	CAP_P_CASE-B2	lio[13A2]	Q6900	TRA_2N7002DW_SOT-363	lio[16C1 16C3]	R6862	RES_402	lio[15B7]			
C6610	CAP_402	lio[13D5]	Q6901	TRA_2N7002DW_SOT-363	lio[16C1 16C2]	R6900	RES_402	lio[16C2]			
C6611	CAP_402	lio[13D4]	Q6909	TRA_TP0610_SOT23-3	lio[16D2]	R6901	RES_402	lio[16D2]			
C6612	CAP_P_CASE-B2	lio[13D4]	Q7600	TRA_FDM6296_MICROFET	lio[17C3]	R6902	RES_402	lio[16D5]			
C6613	CAP_402	lio[13D6]	Q7601	TRA_FDM6296_MICROFET	lio[17C3]	R6904	RES_402	lio[16C6]			
C6614	CAP_402	lio[13C6]	Q7610	TRA_IRF7707_TSSOP	lio[17A7]	R6905	RES_402	lio[16D3]			
C6620	CAP_402	lio[13C5]	Q7650	TRA_FDM6296_MICROFET	lio[17B3]	R6909	RES_402	lio[16D1]			
C6621	CAP_402	lio[13C5]	Q7651	TRA_FDM6296_MICROFET	lio[17B3]	R6911	RES_402	lio[16C2]			
C6622	CAP_P_CASE-B2	lio[13C4]	Q7660	TRA_IRF7707_TSSOP	lio[17A3]	R6990	RES_402	lio[16C5]			
C6623	CAP_402	lio[13C6]	R3450	RES_402	lio[5C2]	R6991	RES_402	lio[16C4]			
C6624	CAP_402	lio[13B6]	R3451	RES_402	lio[5C2]	R6992	RES_402	lio[16B1]			
C6630	CAP_402	lio[13B5]	R3500	RES_402	lio[6C6]	R7610	RES_402	lio[17A8]			
C6631	CAP_402	lio[13B5]	R3561	RES_402	lio[6B3]	R7620	RES_402	lio[17C5]			
C6632	CAP_P_CASE-B2	lio[13B4]	R5801	RES_402	lio[9C6]	R7621	RES_402	lio[17C6]			
C6633	CAP_402	lio[13B6]	R5802	RES_402	lio[9C6]	R7622	RES_402	lio[17C7]			
C6634	CAP_402	lio[13B6]	R5803	RES_402	lio[9C5]	R7625	RES_402	lio[17C6]			
C6640	CAP_402	lio[13A5]	R5804	RES_402	lio[9C5]	R7660	RES_402	lio[17A4]			
C6641	CAP_402	lio[13A5]	R5805	RES_402	lio[9C5]	SL0800	SLOT_TH	lio[4A8]			
C6642	CAP_P_CASE-B2	lio[13A4]	R5806	RES_402	lio[9C4]	U3500	PWR_CNTRL_TPS2231_QF	lio[6C5]			
C6643	CAP_402	lio[13A6]	R5807	RES_402	lio[9C4]	U3551	MC74VHC1G00_SC70-5	lio[6A6]			
C6644	CAP_402	lio[13A6]	R5808	RES_402	lio[9A7]	U3560	MC74VHC1G00_SC70-5	lio[6B2]			
C6700	CAP_402	lio[14C7]	R6201	RES_402	lio[10B6]	U3561	SN74LVC1G04_BGA	lio[6A3]			
C6702	CAP_402	lio[14C5]	R6202	RES_402	lio[10A6]	U4600	SWI_TPS2042B_MSOP	lio[8B6]			
C6750	CAP_402	lio[14A7]	R6203	RES_402	lio[10C3]	U5801	OPAMP_MAX4236EUTT_SO	lio[9C5]			
C6751	CAP_603	lio[14A7]	R6204	RES_402	lio[10C7]		T23-6-LF				
C6752	CAP_402	lio[14A5]	R6205	RES_402	lio[10B6]	U5802	TMP106_KCSP-6	lio[9B5]			
C6800	CAP_402	lio[15B2]	R6206	RES_402	lio[10B4]	U6200	AUDIO_ALC885B2_LQFP	lio[10C5]			
C6801	CAP_402	lio[15C7]	R6207	RES_402	lio[10B3]	U6201	LREG_MAX1819_UCSP				