

8

7

6

5

4

3

2

1

- 1. ALL RESISTANCE VALUES ARE IN OHMS, 0.1 WATT +/- 5%.
- 2. ALL CAPACITANCE VALUES ARE IN MICROFARADS.
- 3. ALL CRYSTALS & OSCILLATOR VALUES ARE IN HERTZ.


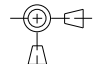
|     |      |     |                       |                 |                  |
|-----|------|-----|-----------------------|-----------------|------------------|
| REV | ZONE | ECN | DESCRIPTION OF CHANGE | CK APPD<br>DATE | ENG APPD<br>DATE |
|     |      |     |                       | ?               | ?                |

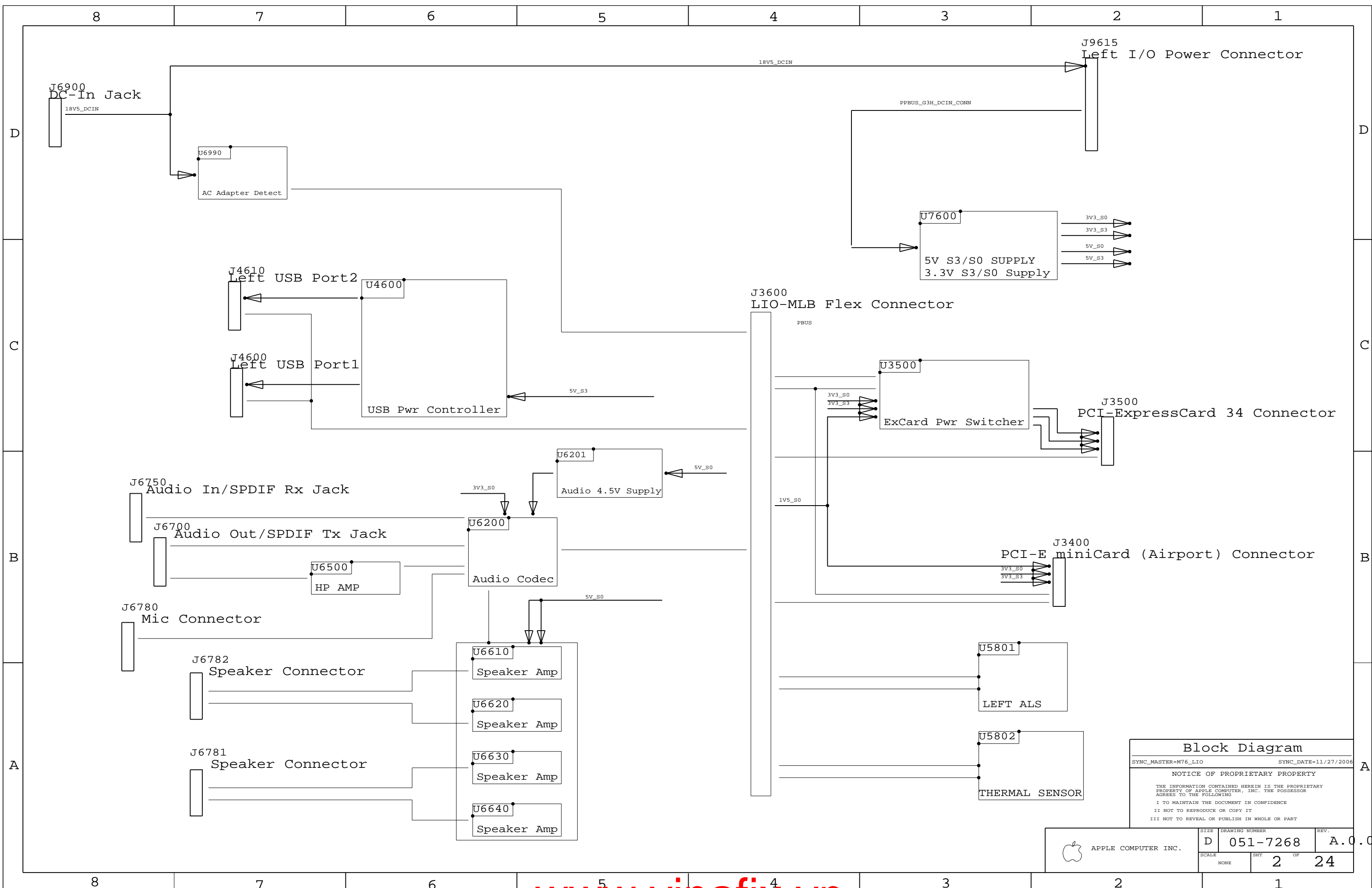
# SCHEM, LIO, MBP17

## 05/07/07

| PDF PAGE | CSA PAGE | CONTENTS                   | SYNC MASTER | DATE       |
|----------|----------|----------------------------|-------------|------------|
| 1        | 1        | Table of Contents          | M76_LIO     | 11/27/2006 |
| 2        | 2        | Block Diagram              | M76_LIO     | 11/27/2006 |
| 3        | 4        | BOM CONFIGURATION          | M76_LIO     | 11/27/2006 |
| 4        | 8        | Aliases                    | M76_LIO     | 11/27/2006 |
| 5        | 34       | PCI-E MiniCard Connector   | M75_LIO     | 04/10/2007 |
| 6        | 35       | ExpressCard Connector      | M75_LIO     | 04/10/2007 |
| 7        | 36       | MLB I/O Board Connector    | M76_LIO     | 11/27/2006 |
| 8        | 46       | Left USB Port              | M76_LIO     | 11/27/2006 |
| 9        | 58       | Left ALS                   | M76_LIO     | 11/27/2006 |
| 10       | 62       | AUDIO: CODEC               | M76_AUDIO   | 05/04/2007 |
| 11       | 63       | AUDIO: LINE IN             | M76_AUDIO   | 05/04/2007 |
| 12       | 65       | AUDIO: HEADPHONE AMP       | M76_AUDIO   | 05/04/2007 |
| 13       | 66       | AUDIO: SPEAKER AMP         | M76_AUDIO   | 05/04/2007 |
| 14       | 67       | AUDIO: JACKS               | M76_AUDIO   | 05/04/2007 |
| 15       | 68       | AUDIO: JACK TRANSLATORS    | M76_AUDIO   | 05/04/2007 |
| 16       | 69       | DC-In & Battery Connectors | M76_LIO     | 11/27/2006 |
| 17       | 76       | 5V/3.3V SUPPLY             | M57_LIO     | 11/30/2006 |
| 18       | 96       | LEFT I/O POWER CONNECTOR   | M76_LIO     | 11/27/2006 |
| 19       | 97       | Cross Reference Page       | M76_LIO     | 11/27/2006 |
| 20       | 98       | Cross Reference Page       | M76_LIO     | 11/27/2006 |
| 21       | 100      | HISTORY: NON-AUDIO         | (MASTER)    | (MASTER)   |
| 22       | 101      |                            | M76_AUDIO   | 05/04/2007 |
| 23       | 102      | Cross Reference Page       |             |            |
| 24       | 103      | Cross Reference Page       |             |            |

| PART#    | QTY | DESCRIPTION       | REFERENCE DESIGNATOR(S) | CRITICAL | BOM OPTION |
|----------|-----|-------------------|-------------------------|----------|------------|
| 051-7268 | 1   | SCHEM, LIO, MBP17 | SCH                     | CRITICAL |            |
| 820-2140 | 1   | PCBF, LIO, MBP17  | PCB                     | CRITICAL |            |

|   |       |                                     |           |   |   |
|---|-------|-------------------------------------|-----------|---|---|
| DIMENSIONS ARE IN MILLIMETERS   |       | <b>METRIC</b>                       |           |  Apple Computer Inc.   |   |
| XX : _____  | _____ | DRAPTER                             | DESIGN CK | <b>NOTICE OF PROPRIETARY PROPERTY</b><br>THE INFORMATION CONTAINED HEREIN IS THE PROPRIETARY PROPERTY OF APPLE COMPUTER, INC. THE POSSESSOR AGREES TO THE FOLLOWING:<br>I TO MAINTAIN THE DOCUMENT IN CONFIDENCE<br>II NOT TO REPRODUCE OR COPY IT<br>III NOT TO REVEAL OR PUBLISH IN WHOLE OR PART |   |
| X.XX : _____  | _____ | ENG APPD                            | MFG APPD  |   |   |
| X.XXX : _____   | _____ | QA APPD                             | DESIGNER  |   |   |
| ANGLES : _____  | _____ | RELEASE                             | SCALE     |   |   |
| DO NOT SCALE DRAWING  |       | SCALE NONE                          |           | TITLE   |   |
| <br>THIRD ANGLE PROJECTION |       | MATERIAL/FINISH NOTED AS APPLICABLE |           | SIZE D  | SCHEM, LIO, MBP17<br>DRAWING NUMBER <b>051-7268</b> REV. <b>A.0.0</b> |
|   |       |                                     |           | SHT 1 OF 24   |   |



**Block Diagram**

SYNC\_MASTER=M76\_LIO      SYNC\_DATE=11/27/2006

NOTICE OF PROPRIETARY PROPERTY

THE INFORMATION CONTAINED HEREIN IS THE PROPRIETARY PROPERTY OF APPLE COMPUTER, INC. THE POSSESSOR AGREES TO THE FOLLOWING

I TO MAINTAIN THE DOCUMENT IN CONFIDENCE

II NOT TO REPRODUCE OR COPY IT

III NOT TO REVEAL OR PUBLISH IN WHOLE OR PART

|                     |      |                |       |
|---------------------|------|----------------|-------|
| APPLE COMPUTER INC. | SIZE | DRAWING NUMBER | REV.  |
|                     | D    | 051-7268       | A.0.0 |
| SCALE               | SHT  | OF             |       |
| NONE                | 2    | 24             |       |

| BOM NUMBER | BOM NAME        | BOM OPTIONS |
|------------|-----------------|-------------|
| 630-7980   | PCBA, LIMA, M76 | COMMON      |

| PART NUMBER | ALTERNATE FOR PART NUMBER | BOM OPTION | REF DES | COMMENTS:  |
|-------------|---------------------------|------------|---------|------------|
| 35381297    | 35381717                  |            | U6990   | TI Alt Src |

BAR CODE LABEL / EEE#'S

| PART NUMBER | QTY | DESCRIPTION         | REFERENCE DES | CRITICAL | BOM OPTION |
|-------------|-----|---------------------|---------------|----------|------------|
| 000-0041    | 1   | LBL, P/N LABEL, PCB | [EEE:XBD]     | CRITICAL |            |

| PART#    | QTY | DESCRIPTION    | REFERENCE DESIGNATOR(S) | CRITICAL | BOM OPTION |
|----------|-----|----------------|-------------------------|----------|------------|
| 815-8851 | 1   | ALS SPACER, M9 | SP6401                  | CRITICAL |            |

D

D

C

C


B

B

A

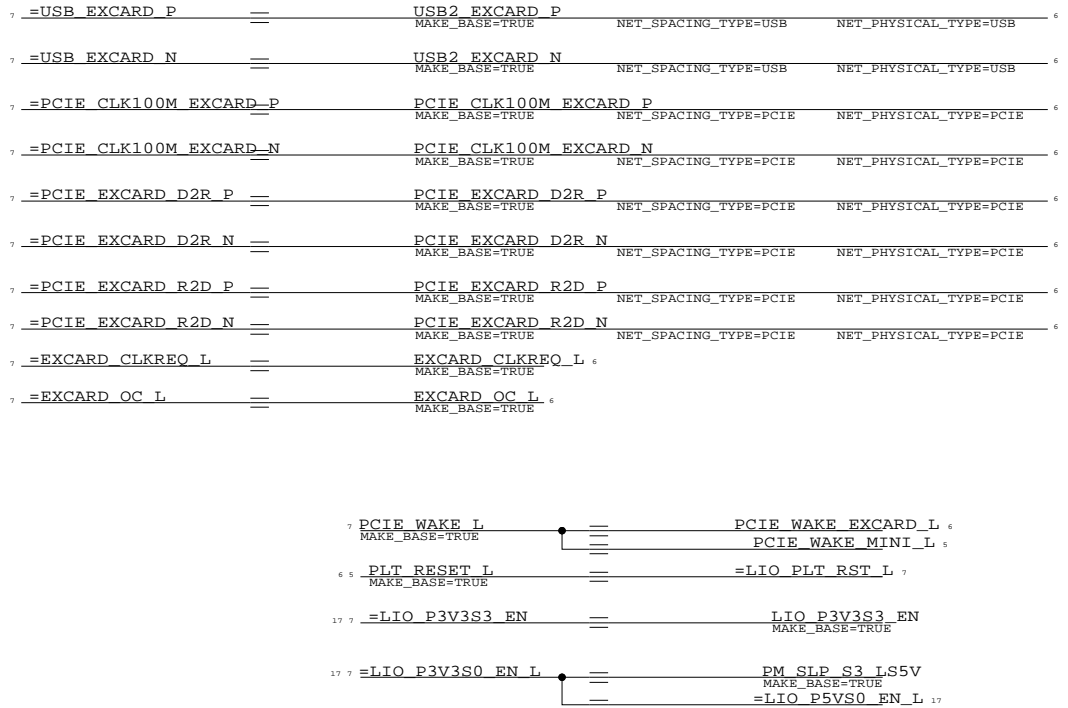
A

| BOM CONFIGURATION  |                      |
|--|----------------------|
| SYNC_MASTER=M76_LIO  | SYNC_DATE=11/27/2006 |
| NOTICE OF PROPRIETARY PROPERTY   |                      |
| THE INFORMATION CONTAINED HEREIN IS THE PROPRIETARY PROPERTY OF APPLE COMPUTER, INC. THE POSSESSOR AGREES TO THE FOLLOWING |                      |
| I TO MAINTAIN THE DOCUMENT IN CONFIDENCE   |                      |
| II NOT TO REPRODUCE OR COPY IT   |                      |
| III NOT TO REVEAL OR PUBLISH IN WHOLE OR PART  |                      |

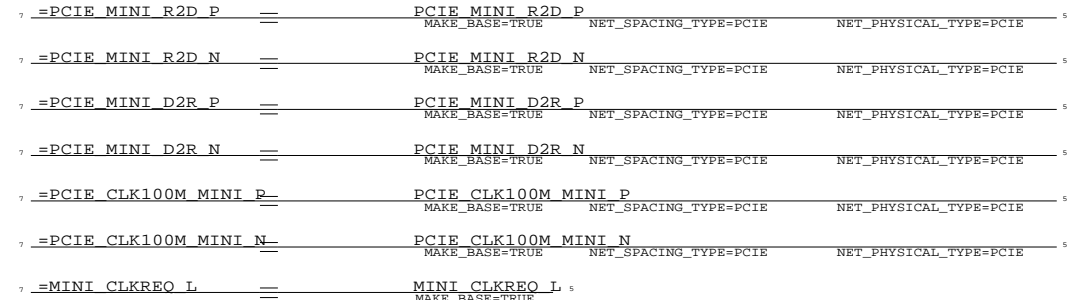
|   |      |                |       |
|---|------|----------------|-------|
|  APPLE COMPUTER INC. | SIZE | DRAWING NUMBER | REV.  |
|   | D    | 051-7268       | A.0.0 |
| SCALE   | SHT  | OF             |       |
| NONE  | 3    | 24             |       |

POWER & GROUNDS

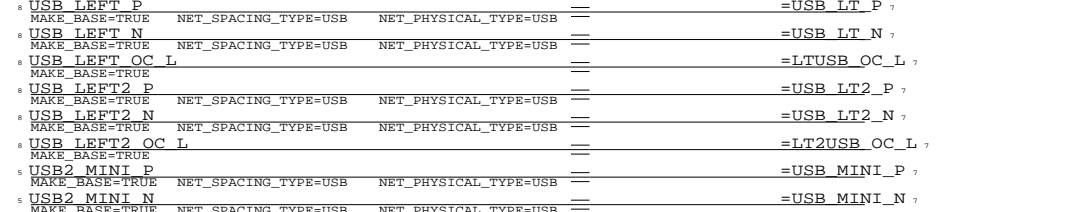
PCI-E EXPRESS CARD 34



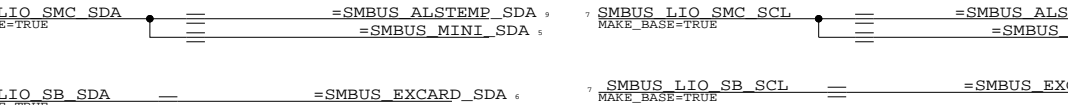
PCI-E MINICARD



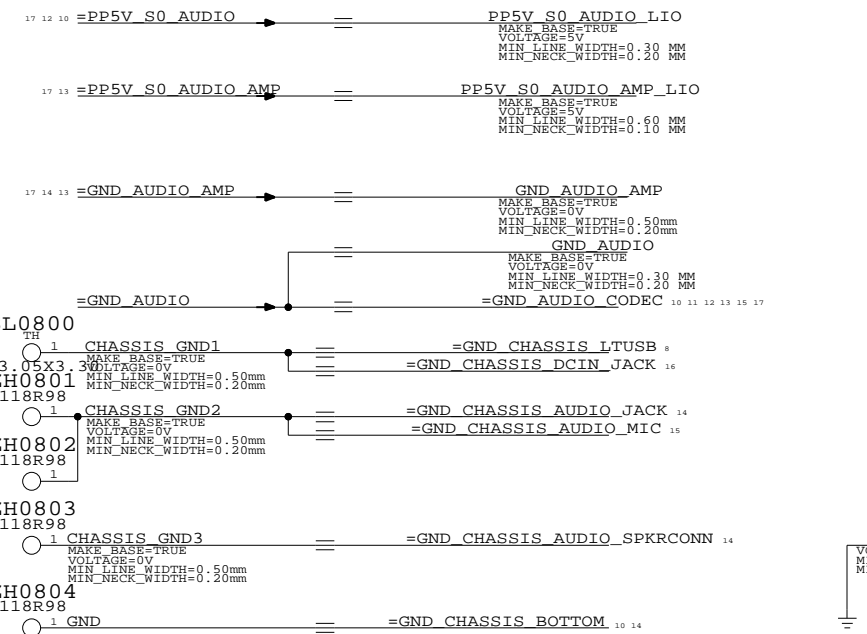
USB



SMBUS



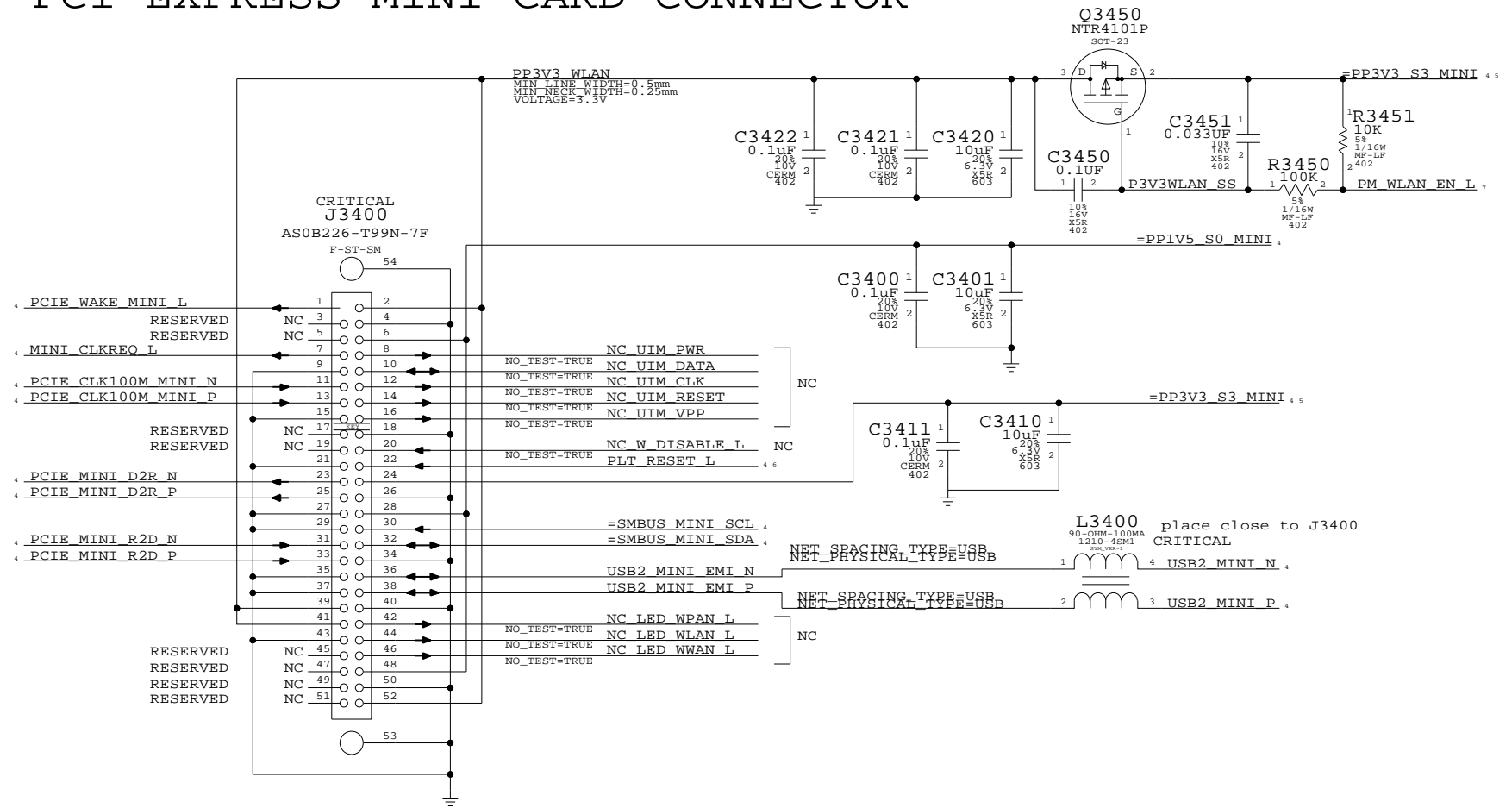
AUDIO



| Aliases  |                      |  |
|--|----------------------|--|
| SYNC_MASTER=M76_LIO  | SYNC_DATE=11/27/2006 |  |
| NOTICE OF PROPRIETARY PROPERTY   |                      |  |
| THE INFORMATION CONTAINED HEREIN IS THE PROPRIETARY PROPERTY OF APPLE COMPUTER, INC. THE POSSESSOR AGREES TO THE FOLLOWING |                      |  |
| I TO MAINTAIN THE DOCUMENT IN CONFIDENCE   |                      |  |
| II NOT TO REPRODUCE OR COPY IT   |                      |  |
| III NOT TO REVEAL OR PUBLISH IN WHOLE OR PART  |                      |  |

|                     |      |                |       |
|---------------------|------|----------------|-------|
| APPLE COMPUTER INC. | SIZE | DRAWING NUMBER | REV.  |
|                     | D    | 051-7268       | A.0.0 |
| SCALE               | SHT  | OF             |       |
| NONE                | 4    | 24             |       |

# PCI-EXPRESS MINI CARD CONNECTOR

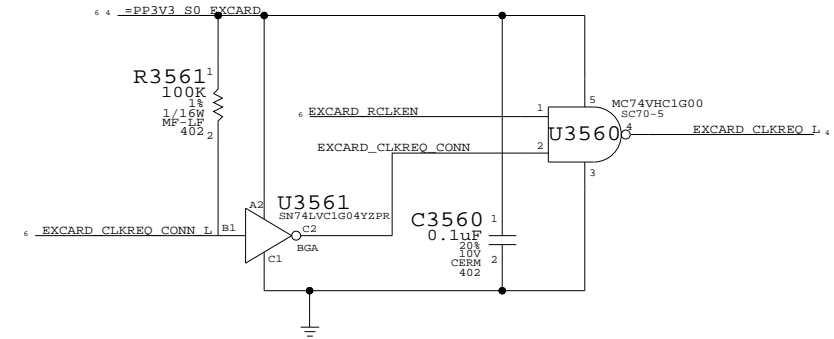
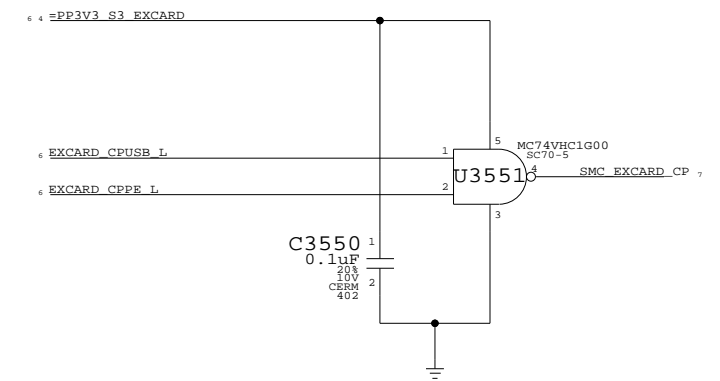
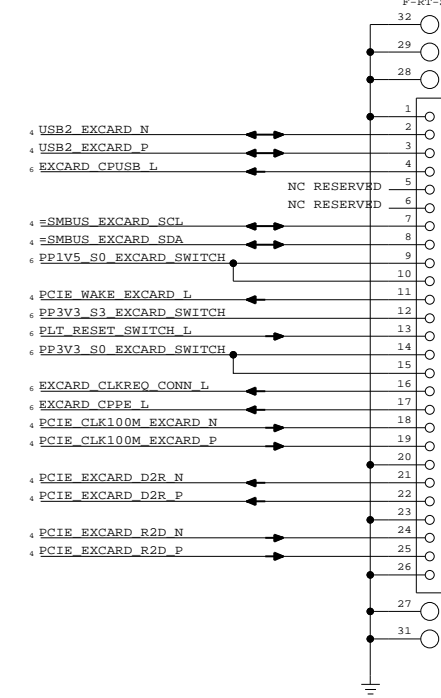
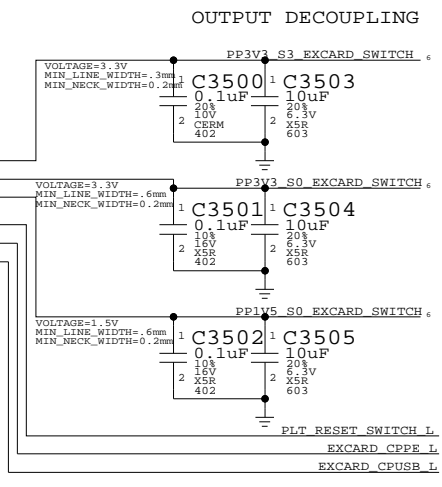
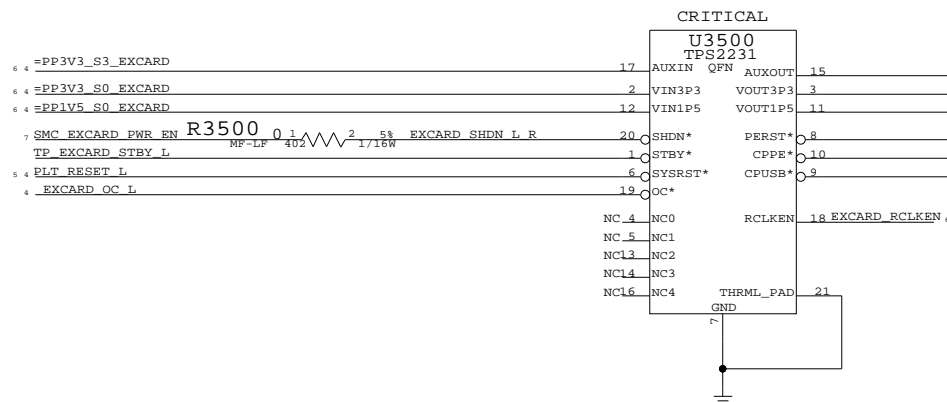
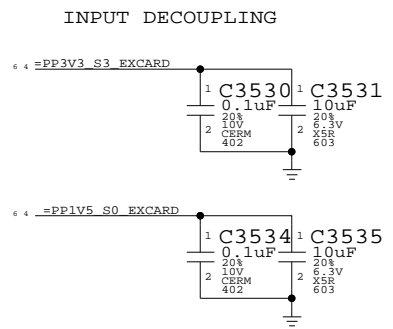


PCI-E MiniCard Connector  
 SYNC\_MASTER=M75\_LIO SYNC\_DATE=04/10/2007  
**NOTICE OF PROPRIETARY PROPERTY**  
 THE INFORMATION CONTAINED HEREIN IS THE PROPRIETARY PROPERTY OF APPLE COMPUTER, INC. THE POSSESSOR AGREES TO THE FOLLOWING  
 I TO MAINTAIN THE DOCUMENT IN CONFIDENCE  
 II NOT TO REPRODUCE OR COPY IT  
 III NOT TO REVEAL OR PUBLISH IN WHOLE OR PART

|                     |      |                |       |
|---------------------|------|----------------|-------|
| APPLE COMPUTER INC. | SIZE | DRAWING NUMBER | REV.  |
|                     | D    | 051-7268       | A.0.0 |
| SCALE               | NONE | SHT            | OF    |
|                     |      | 5              | 24    |

# EXPRESSCARD/34 TOP MOUNT CONNECTOR

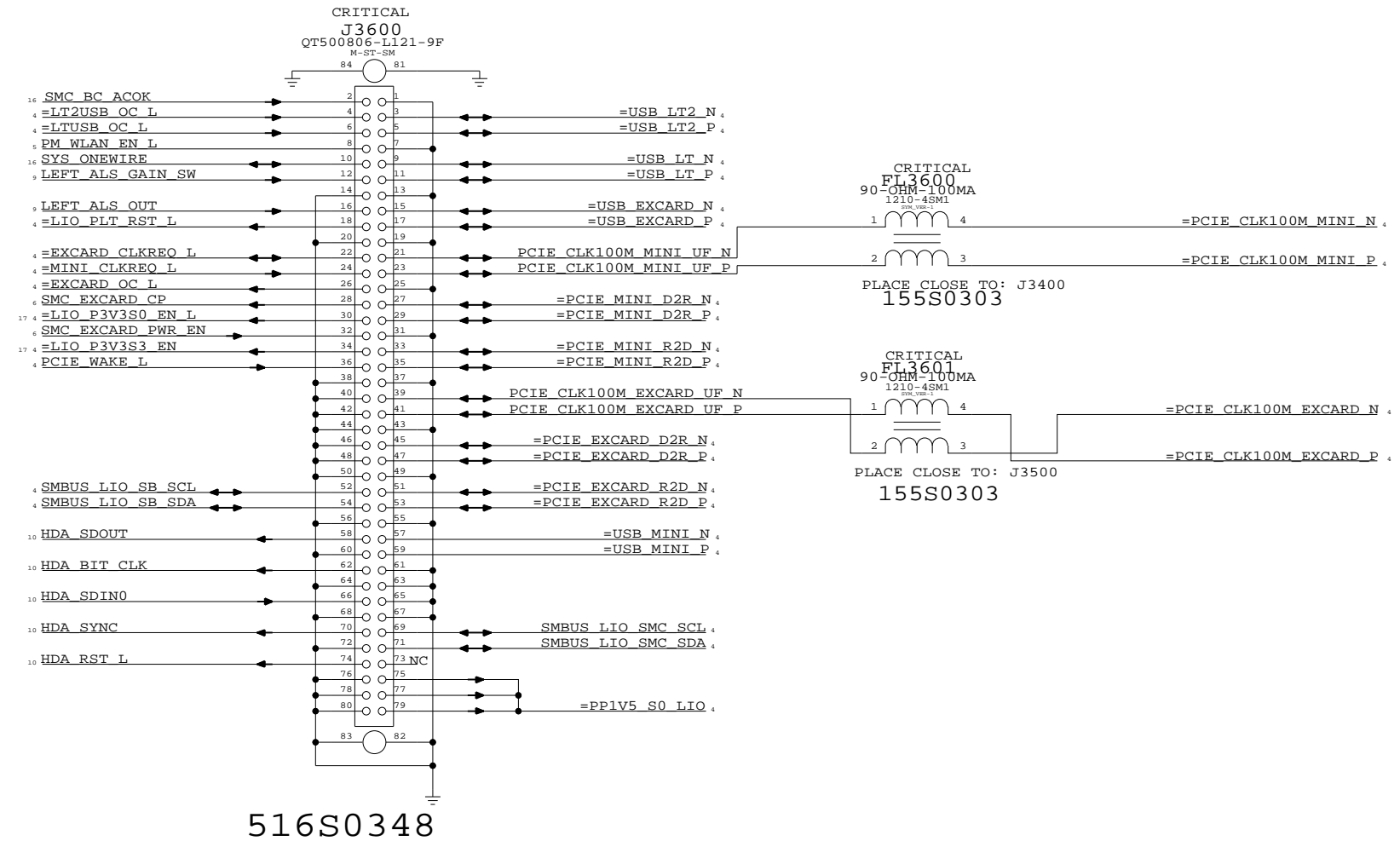
CARD CAGE CONNECTOR  
CRITICAL  
J3500  
237-5300703903-2  
P-PT-SM



ExpressCard Connector  
SYNC\_MASTER=M75\_LIO SYNC\_DATE=04/10/2007  
NOTICE OF PROPRIETARY PROPERTY  
THE INFORMATION CONTAINED HEREIN IS THE PROPRIETARY PROPERTY OF APPLE COMPUTER, INC. THE POSSESSOR AGREES TO THE FOLLOWING  
I TO MAINTAIN THE DOCUMENT IN CONFIDENCE  
II NOT TO REPRODUCE OR COPY IT  
III NOT TO REVEAL OR PUBLISH IN WHOLE OR PART

|                     |             |                |       |
|---------------------|-------------|----------------|-------|
| APPLE COMPUTER INC. | SIZE        | DRAWING NUMBER | REV.  |
|                     | D           | 051-7268       | A.0.0 |
| SCALE               | SHT 6 OF 24 |                |       |
| NONE                |             |                |       |

# Left I/O Board Connector



## MLB I/O Board Connector

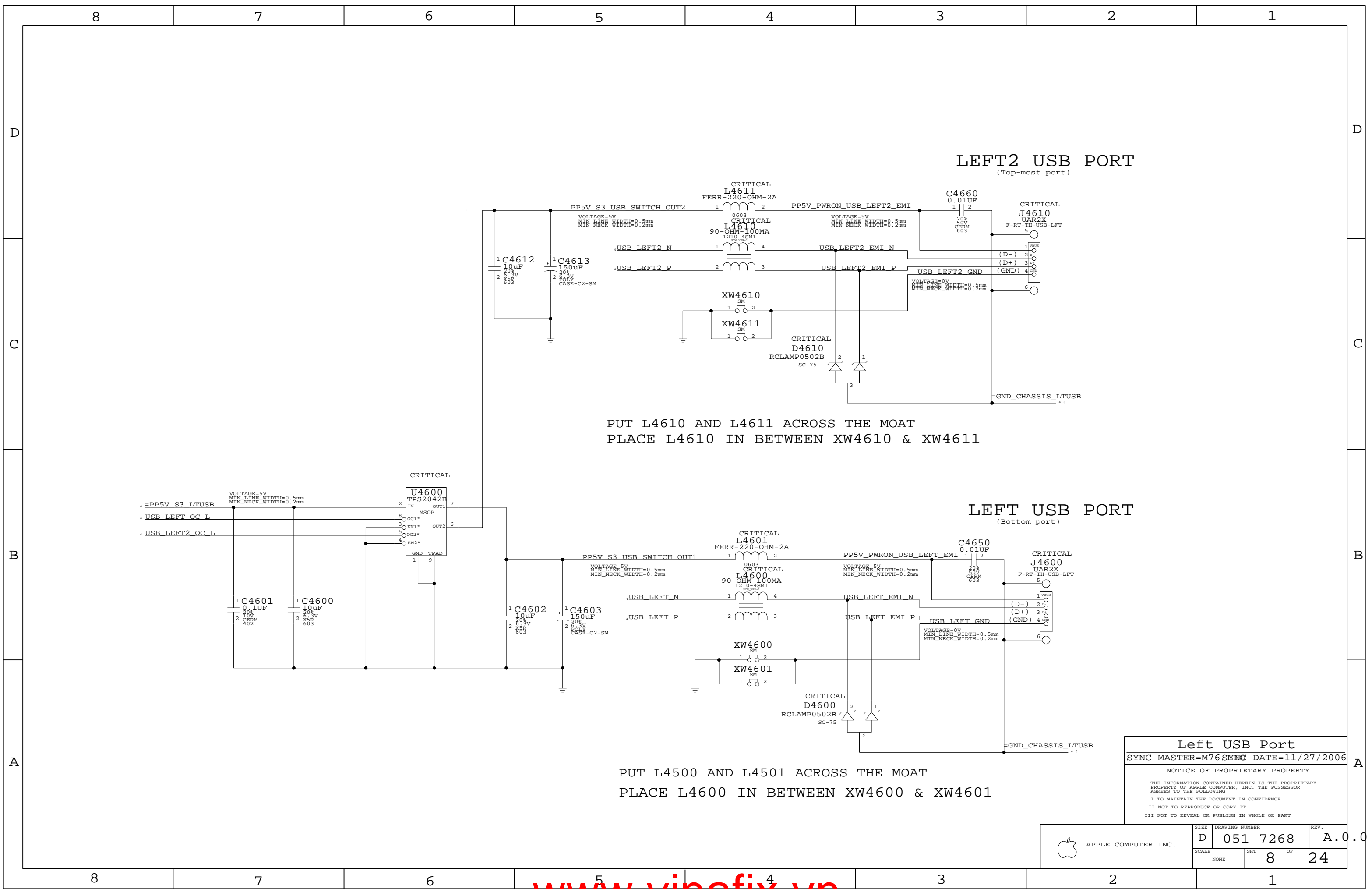
SYNC\_MASTER=M76\_LIO SYNC\_DATE=11/27/2006

### NOTICE OF PROPRIETARY PROPERTY

THE INFORMATION CONTAINED HEREIN IS THE PROPRIETARY PROPERTY OF APPLE COMPUTER, INC. THE POSSESSOR AGREES TO THE FOLLOWING

- I TO MAINTAIN THE DOCUMENT IN CONFIDENCE
- II NOT TO REPRODUCE OR COPY IT
- III NOT TO REVEAL OR PUBLISH IN WHOLE OR PART

|                     |             |                |       |
|---------------------|-------------|----------------|-------|
| APPLE COMPUTER INC. | SIZE        | DRAWING NUMBER | REV.  |
|                     | D           | 051-7268       | A.0.0 |
| SCALE               | SHT 7 OF 24 |                |       |
| NONE                |             |                |       |



**LEFT2 USB PORT**  
(Top-most port)

PUT L4610 AND L4611 ACROSS THE MOAT  
PLACE L4610 IN BETWEEN XW4610 & XW4611

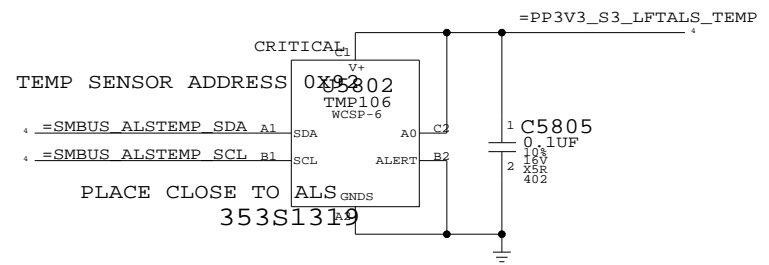
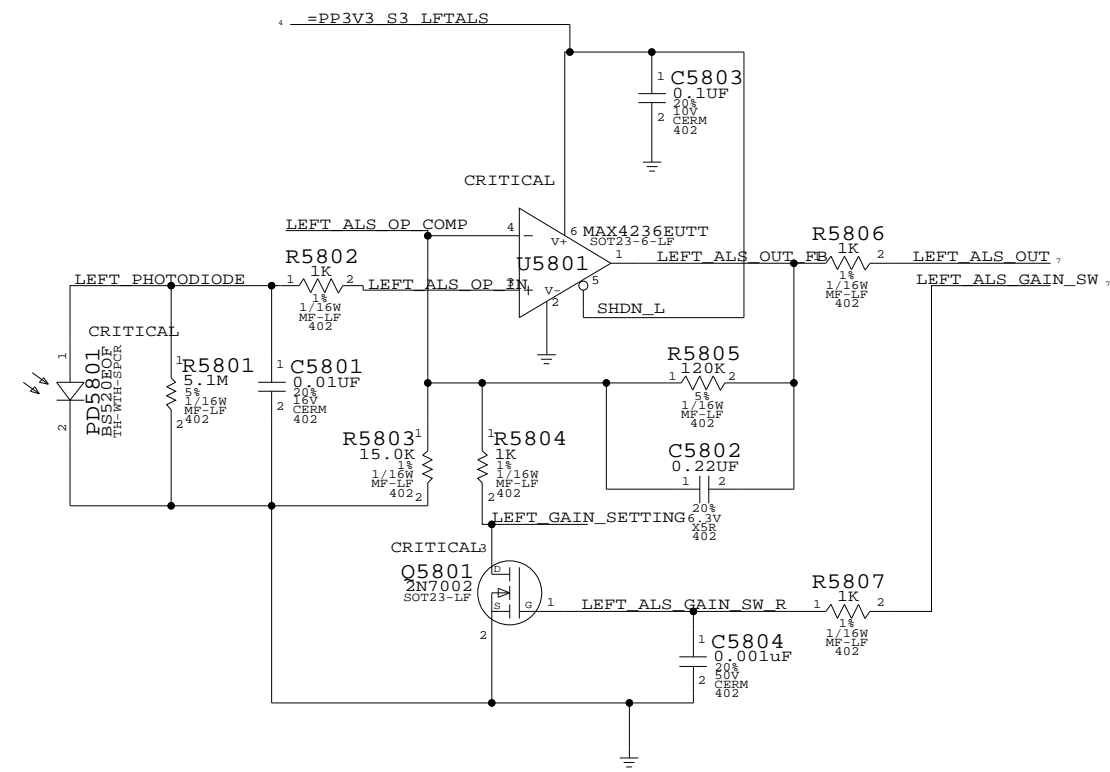
**LEFT USB PORT**  
(Bottom port)

PUT L4500 AND L4501 ACROSS THE MOAT  
PLACE L4600 IN BETWEEN XW4600 & XW4601

**Left USB Port**  
 SYNC\_MASTER=M76 SMC\_DATE=11/27/2006  
 NOTICE OF PROPRIETARY PROPERTY  
 THE INFORMATION CONTAINED HEREIN IS THE PROPRIETARY PROPERTY OF APPLE COMPUTER, INC. THE POSSESSOR AGREES TO THE FOLLOWING  
 I TO MAINTAIN THE DOCUMENT IN CONFIDENCE  
 II NOT TO REPRODUCE OR COPY IT  
 III NOT TO REVEAL OR PUBLISH IN WHOLE OR PART

|                     |      |                |         |
|---------------------|------|----------------|---------|
| APPLE COMPUTER INC. | SIZE | DRAWING NUMBER | REV.    |
|                     | D    | 051-7268       | A.0.0   |
| SCALE               | NONE | SHT            | 8 OF 24 |





**Left ALS**

SYNC\_MASTER=M76\_LIO      SYNC\_DATE=11/27/2006

NOTICE OF PROPRIETARY PROPERTY

THE INFORMATION CONTAINED HEREIN IS THE PROPRIETARY PROPERTY OF APPLE COMPUTER, INC. THE POSSESSOR AGREES TO THE FOLLOWING

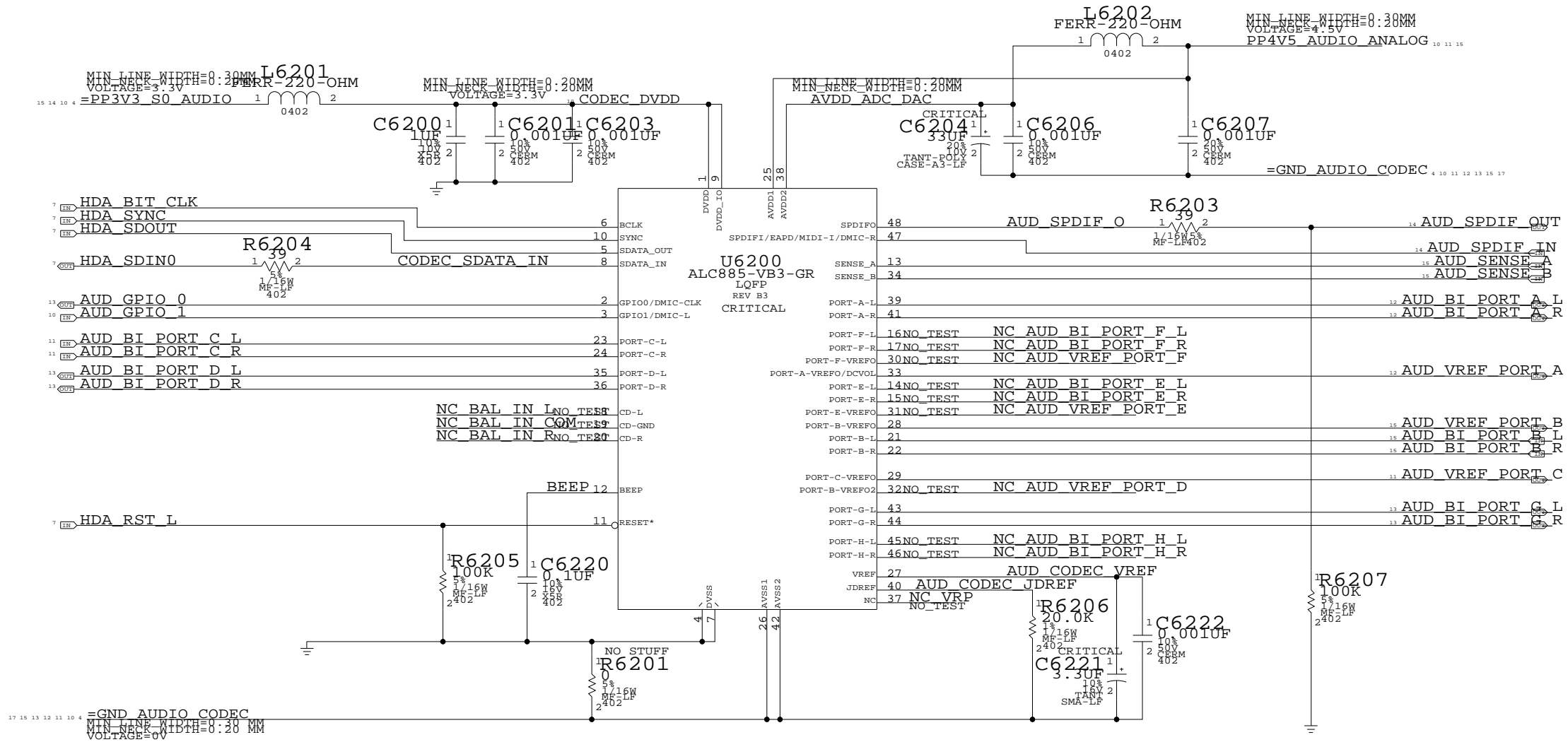
I TO MAINTAIN THE DOCUMENT IN CONFIDENCE

II NOT TO REPRODUCE OR COPY IT

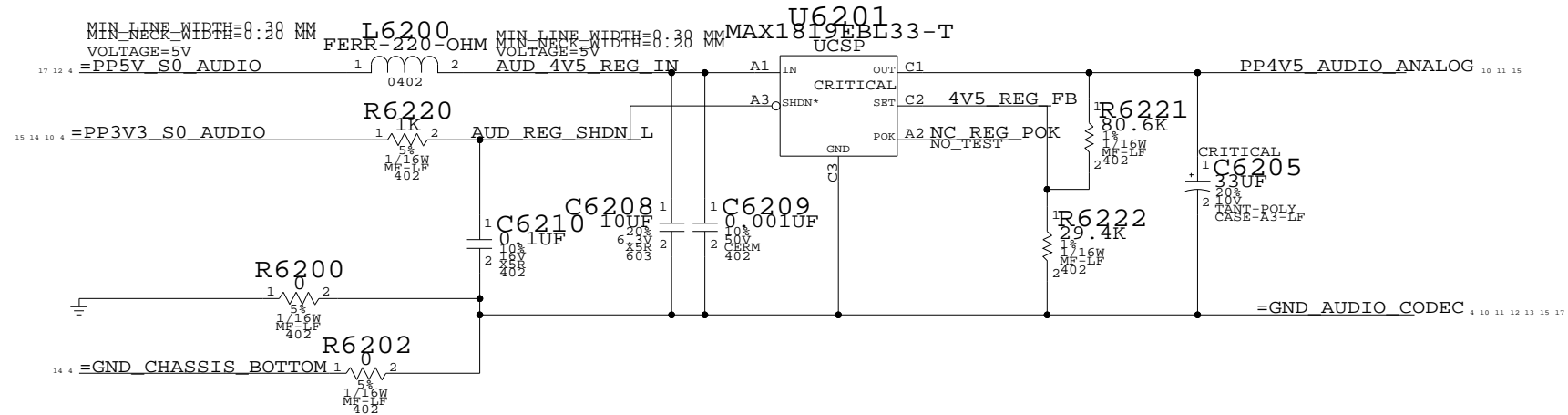
III NOT TO REVEAL OR PUBLISH IN WHOLE OR PART

|                     |             |                |       |
|---------------------|-------------|----------------|-------|
| APPLE COMPUTER INC. | SIZE        | DRAWING NUMBER | REV.  |
|                     | D           | 051-7268       | A.0.0 |
| SCALE               | SHT 9 OF 24 |                |       |
| NONE                |             |                |       |

**AUDIO CODEC**  
APPLE P/N 353S1527



**AUDIO 4.5V REGULATOR**  
APPLE P/N 353S1455



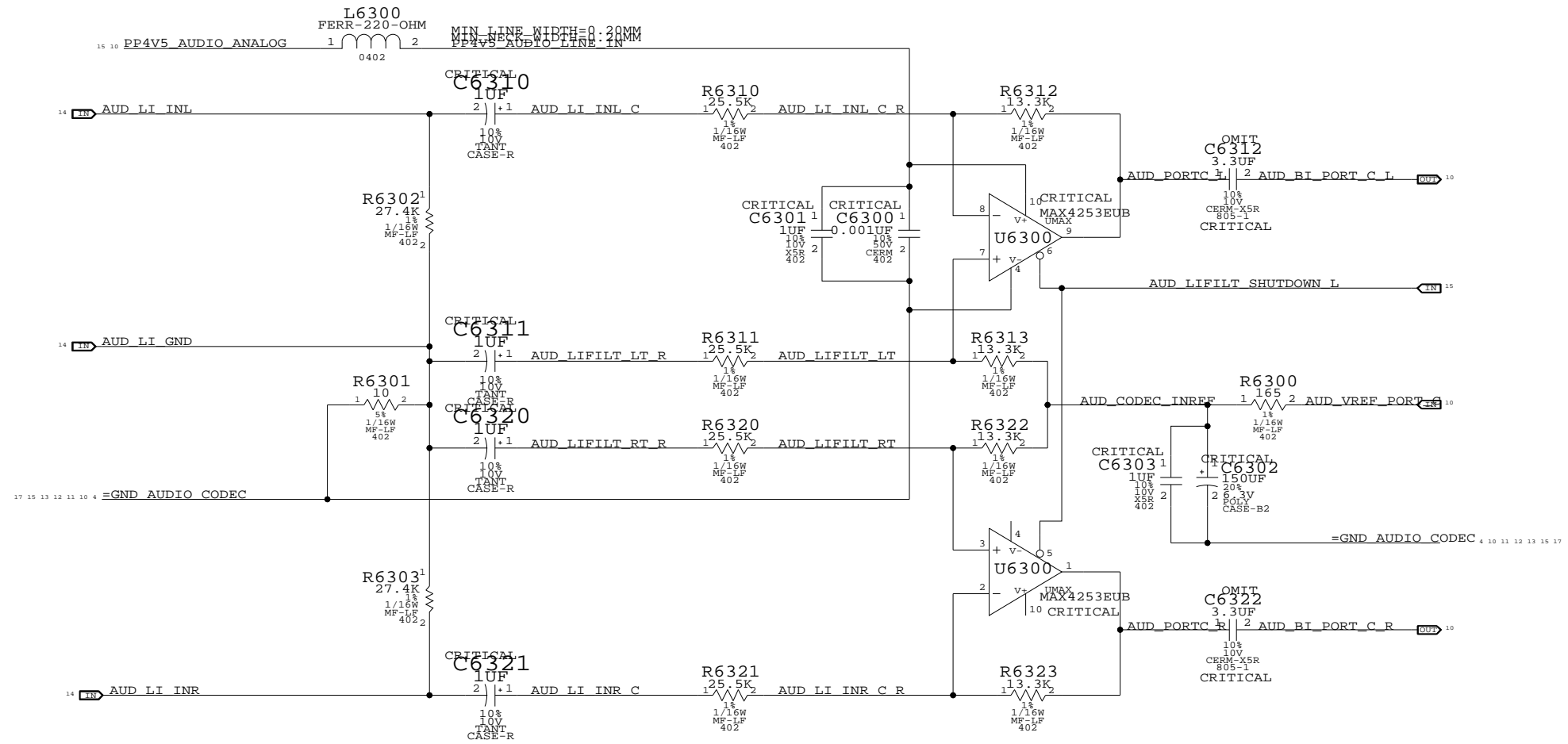
**AUDIO:CODEC**

SYNC\_MASTER=SYNCAUDIO=05/04/2007

NOTICE OF PROPRIETARY PROPERTY  
THE INFORMATION CONTAINED HEREIN IS THE PROPRIETARY PROPERTY OF APPLE COMPUTER, INC. THE POSSESSOR AGREES TO THE FOLLOWING  
I TO MAINTAIN THE DOCUMENT IN CONFIDENCE  
II NOT TO REPRODUCE OR COPY IT  
III NOT TO REVEAL OR PUBLISH IN WHOLE OR PART

|                     |      |                |          |
|---------------------|------|----------------|----------|
| APPLE COMPUTER INC. | SIZE | DRAWING NUMBER | REV.     |
|                     | D    | 051-7268       | A.0.0    |
| SCALE               | NONE | SHT            | 10 OF 24 |

Pseudo-Diff Line-In Filter  
 GAIN = -5.4DB AV = 0.52  
 FC = 6.24 HZ



| PART#    | QTY | DESCRIPTION           | REFERENCE DESIGNATOR(S) | CRITICAL | BOM OPTION |
|----------|-----|-----------------------|-------------------------|----------|------------|
| 138S0620 | 1   | 3.3UF 10V 805 X5R CAP | C6312                   | CRITICAL | ?          |
| 138S0620 | 1   | 3.3UF 10V 805 X5R CAP | C6322                   | CRITICAL | ?          |

**AUDIO: LINE IN**  
 SYNC\_MASTER=M76\_AUDIO SYNC\_DATE=05/04/2007

NOTICE OF PROPRIETARY PROPERTY

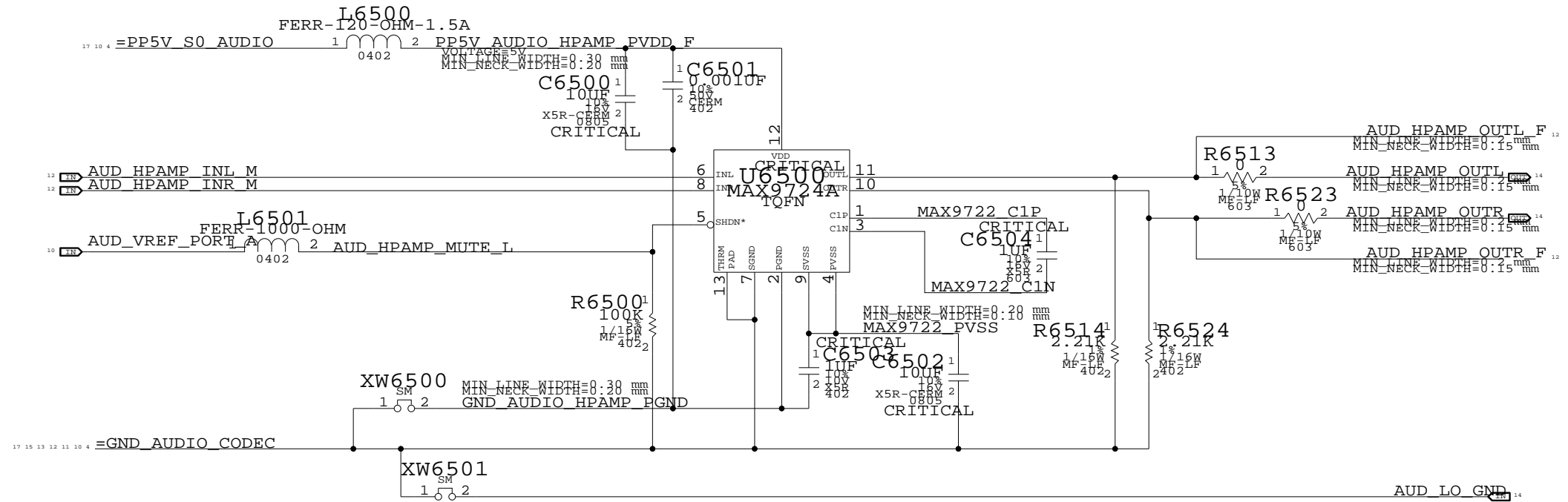
THE INFORMATION CONTAINED HEREIN IS THE PROPRIETARY PROPERTY OF APPLE COMPUTER, INC. THE POSSESSOR AGREES TO THE FOLLOWING

I TO MAINTAIN THE DOCUMENT IN CONFIDENCE  
 II NOT TO REPRODUCE OR COPY IT  
 III NOT TO REVEAL OR PUBLISH IN WHOLE OR PART

|                     |      |                |       |
|---------------------|------|----------------|-------|
| APPLE COMPUTER INC. | SIZE | DRAWING NUMBER | REV.  |
|                     | D    | 051-7268       | A.0.0 |
| SCALE               | SHT  | OF             |       |
| NONE                | 11   | 24             |       |

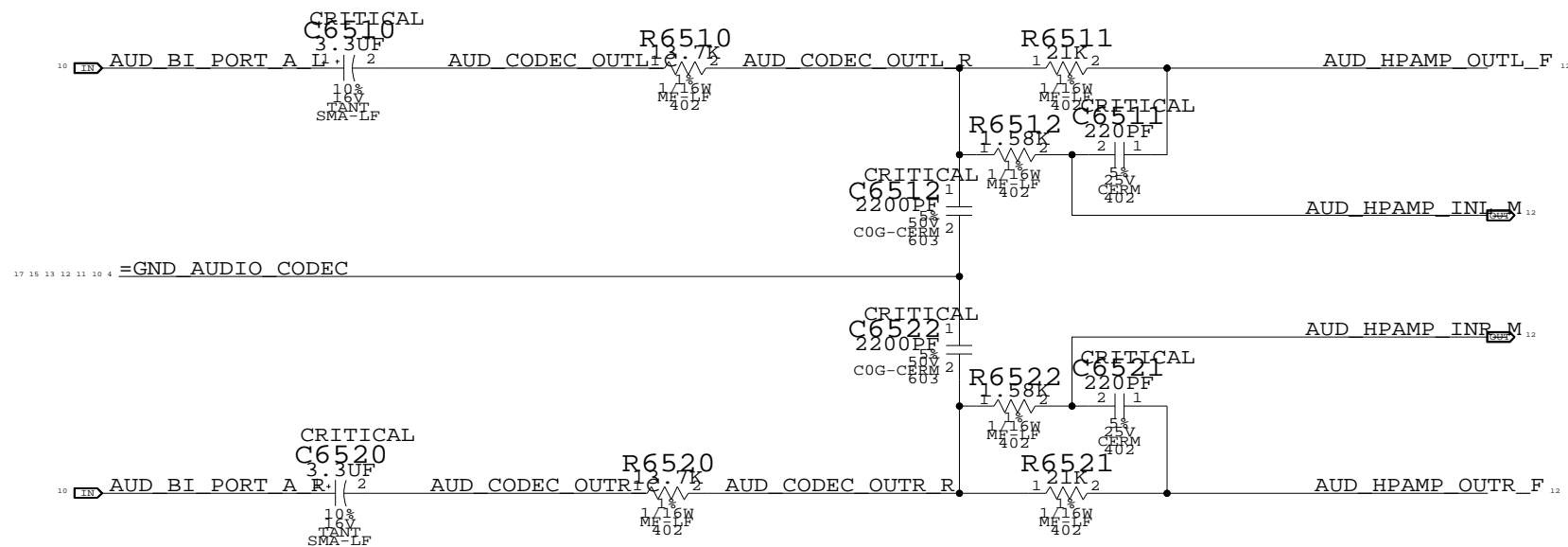
# Headphone Amplifier (MAX9724A)

APN: 353S1637  
VOLTAGE GAIN: 1.53



# 2nd Order DAC Filter

HP: 3.52 HZP: 39 KHZ



## AUDIO: HEADPHONE AMP

SYNC\_MASTER=MSB AUDIO DATE=05/04/2007

NOTICE OF PROPRIETARY PROPERTY

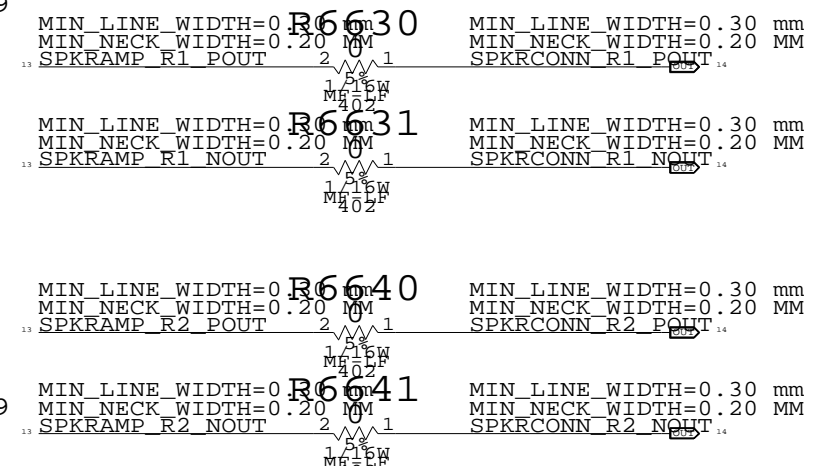
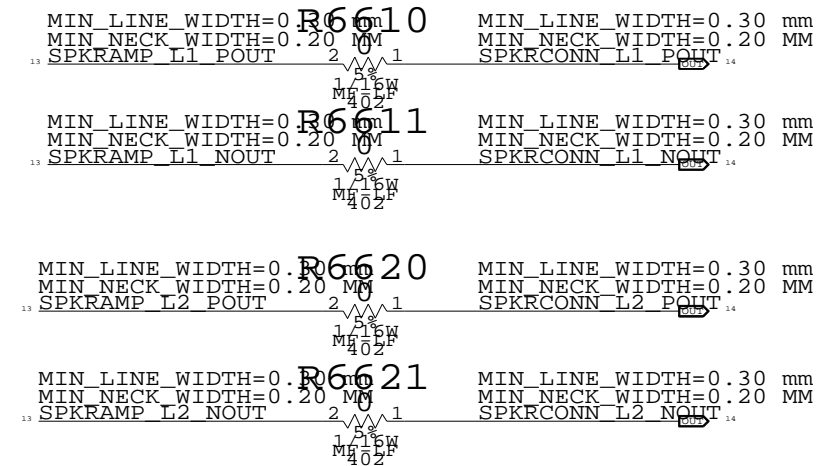
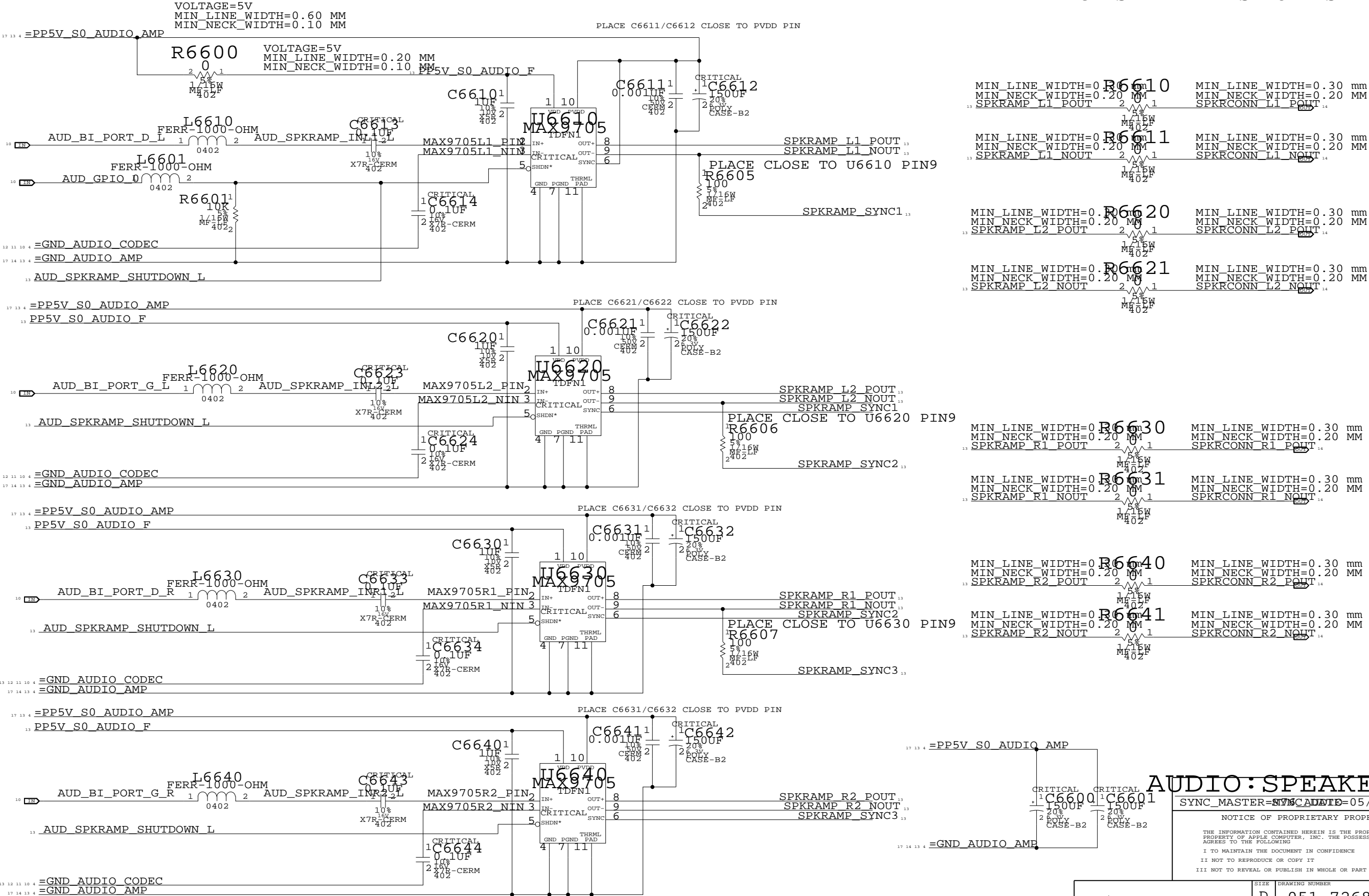
THE INFORMATION CONTAINED HEREIN IS THE PROPRIETARY PROPERTY OF APPLE COMPUTER, INC. THE POSSESSOR AGREES TO THE FOLLOWING

- I TO MAINTAIN THE DOCUMENT IN CONFIDENCE
- II NOT TO REPRODUCE OR COPY IT
- III NOT TO REVEAL OR PUBLISH IN WHOLE OR PART

|                     |      |                |       |
|---------------------|------|----------------|-------|
| APPLE COMPUTER INC. | SIZE | DRAWING NUMBER | REV.  |
|                     | D    | 051-7268       | A.0.0 |
| SCALE               | SHT  |                | OF    |
| NONE                | 12   |                | 24    |

2X MONO SPEAKER AMPLIFIERS (MAX9705) 12DB/9HZ < FC < 132HZ  
 APN: 353S1595 TURN ON TIME: 30MS, TURN ON DELAY: 60MS

FANCY SPEAKER TESTPOINTS



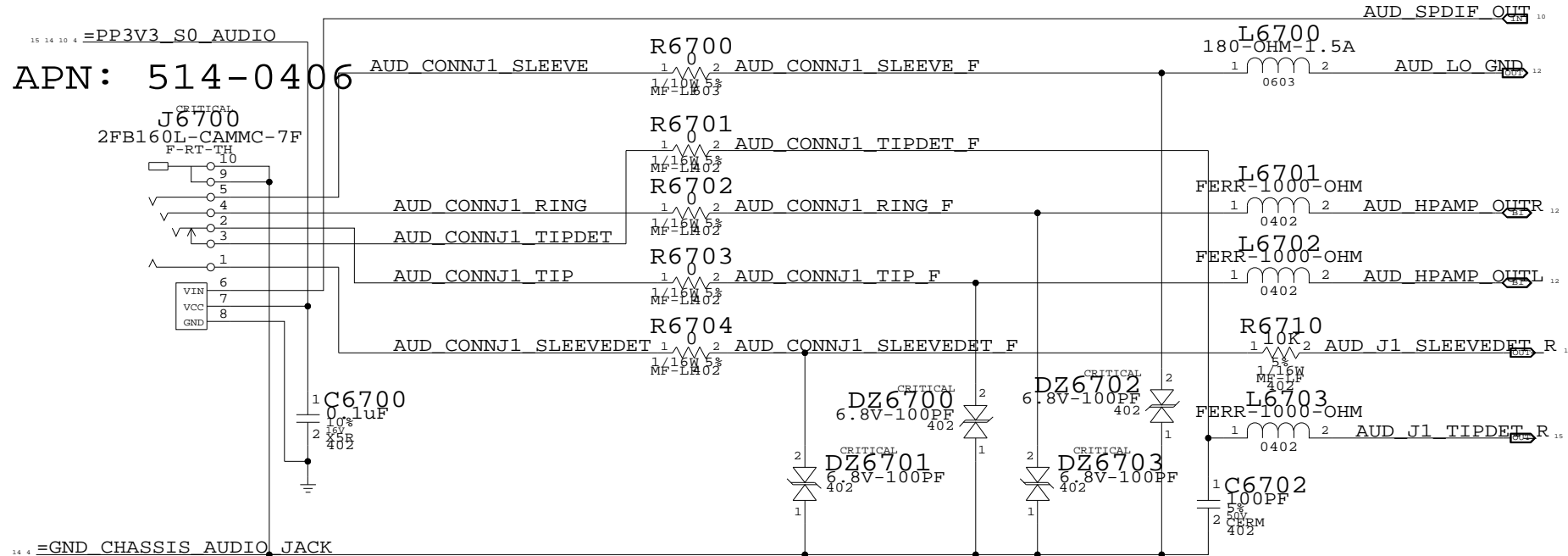
AUDIO: SPEAKER AMP

SYNC\_MASTER=SYNCAUDIO=05/04/2007  
 NOTICE OF PROPRIETARY PROPERTY  
 THE INFORMATION CONTAINED HEREIN IS THE PROPRIETARY PROPERTY OF APPLE COMPUTER, INC. THE POSSESSOR AGREES TO THE FOLLOWING  
 I TO MAINTAIN THE DOCUMENT IN CONFIDENCE  
 II NOT TO REPRODUCE OR COPY IT  
 III NOT TO REVEAL OR PUBLISH IN WHOLE OR PART

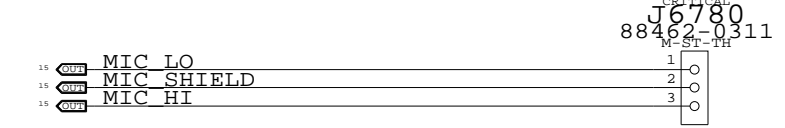
|                     |      |                |       |
|---------------------|------|----------------|-------|
| APPLE COMPUTER INC. | SIZE | DRAWING NUMBER | REV.  |
|                     | NONE | 051-7268       | A.0.0 |
|                     |      | SHT            | OF    |
|                     |      | 13             | 24    |

AUDIO JACK 1 LO/HP CONNECTOR, SPDIF TX

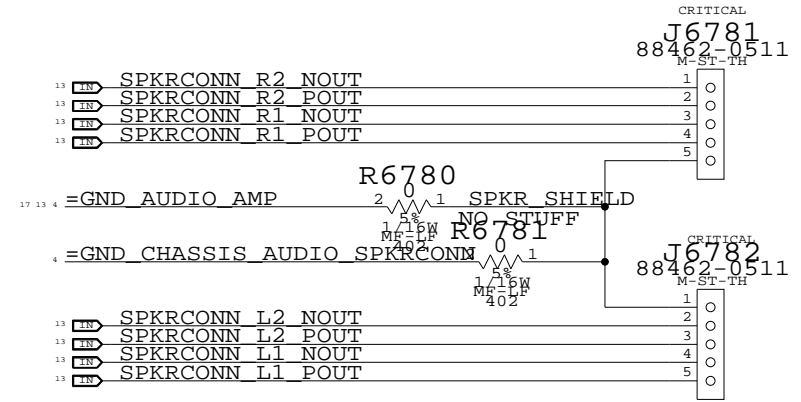
APN: 514-0406



MIC CONNECTOR  
APN: 518-0230

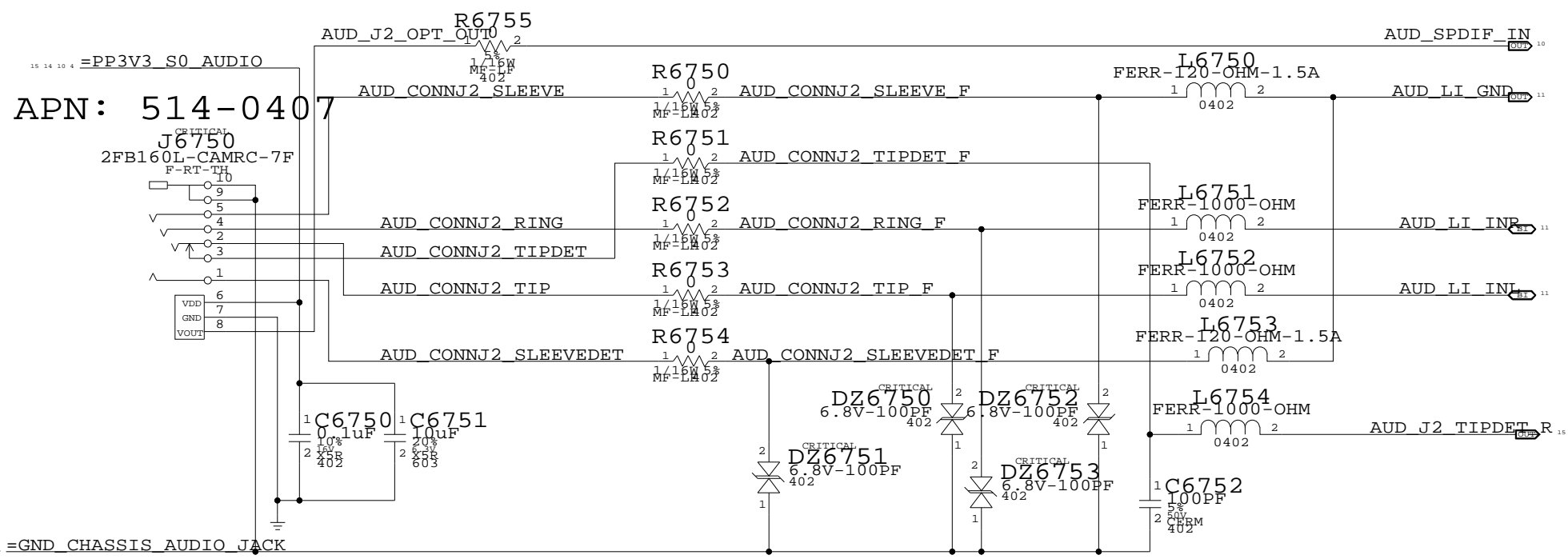


SPEAKER CONNECTORS  
APN: 518-0229

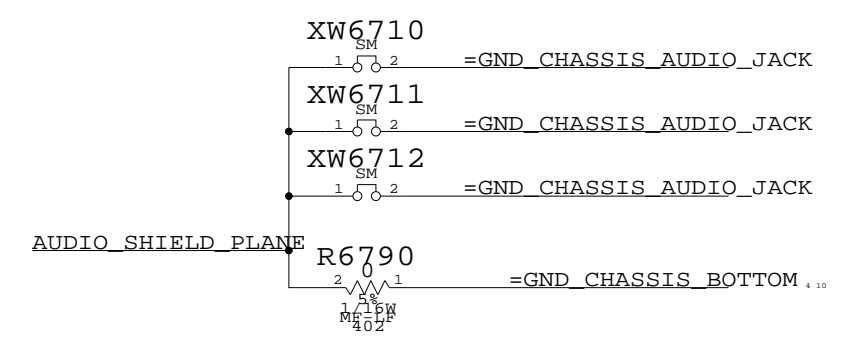


AUDIO JACK 2 LINE IN CONNECTOR, SPDIF RX

APN: 514-0407



AUDIO SHIELD  
(FILLED SHAPE)



**AUDIO: JACKS**  
 SYNC\_MASTER=M76\_AUDIO SYNC\_DATE=05/04/2007  
 NOTICE OF PROPRIETARY PROPERTY  
 THE INFORMATION CONTAINED HEREIN IS THE PROPRIETARY PROPERTY OF APPLE COMPUTER, INC. THE POSSESSOR AGREES TO THE FOLLOWING  
 I TO MAINTAIN THE DOCUMENT IN CONFIDENCE  
 II NOT TO REPRODUCE OR COPY IT  
 III NOT TO REVEAL OR PUBLISH IN WHOLE OR PART

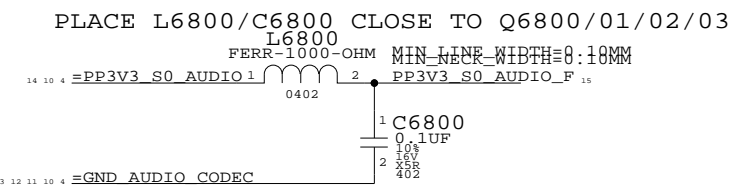
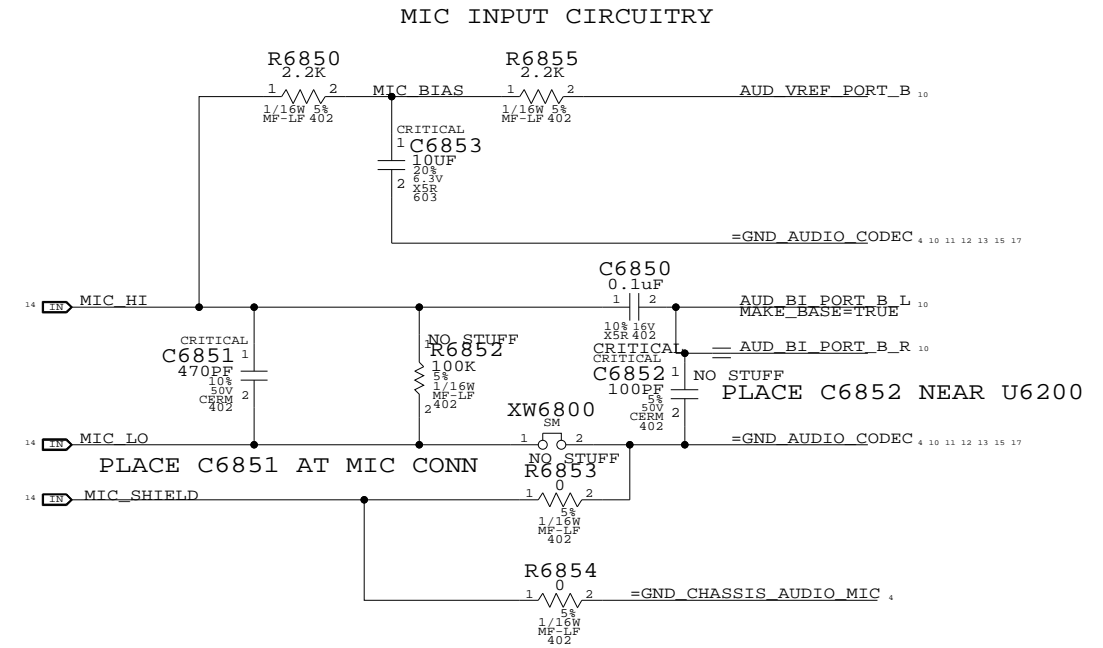
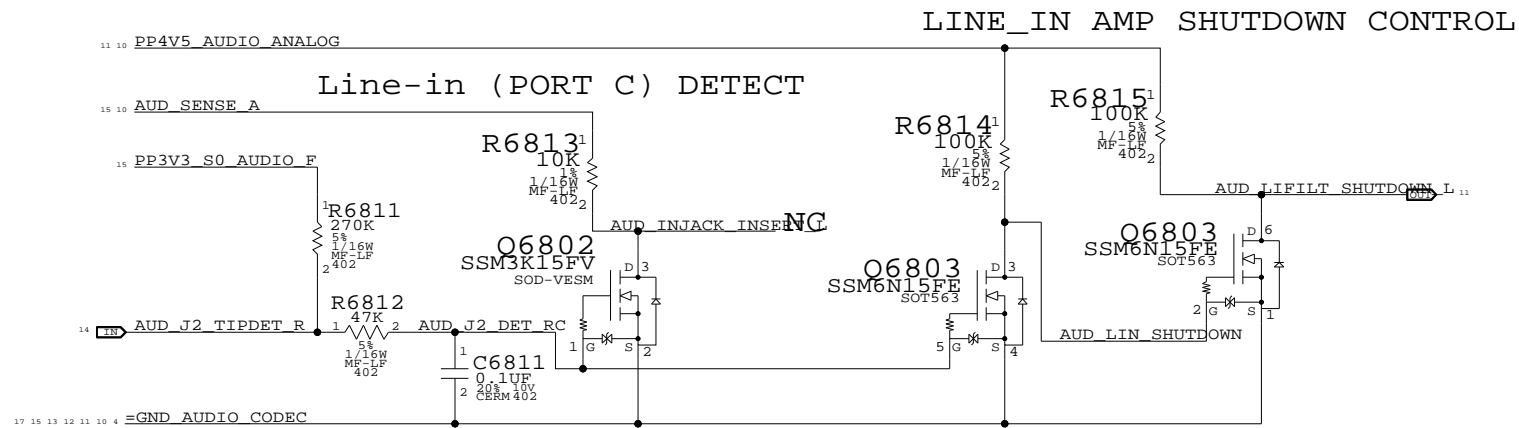
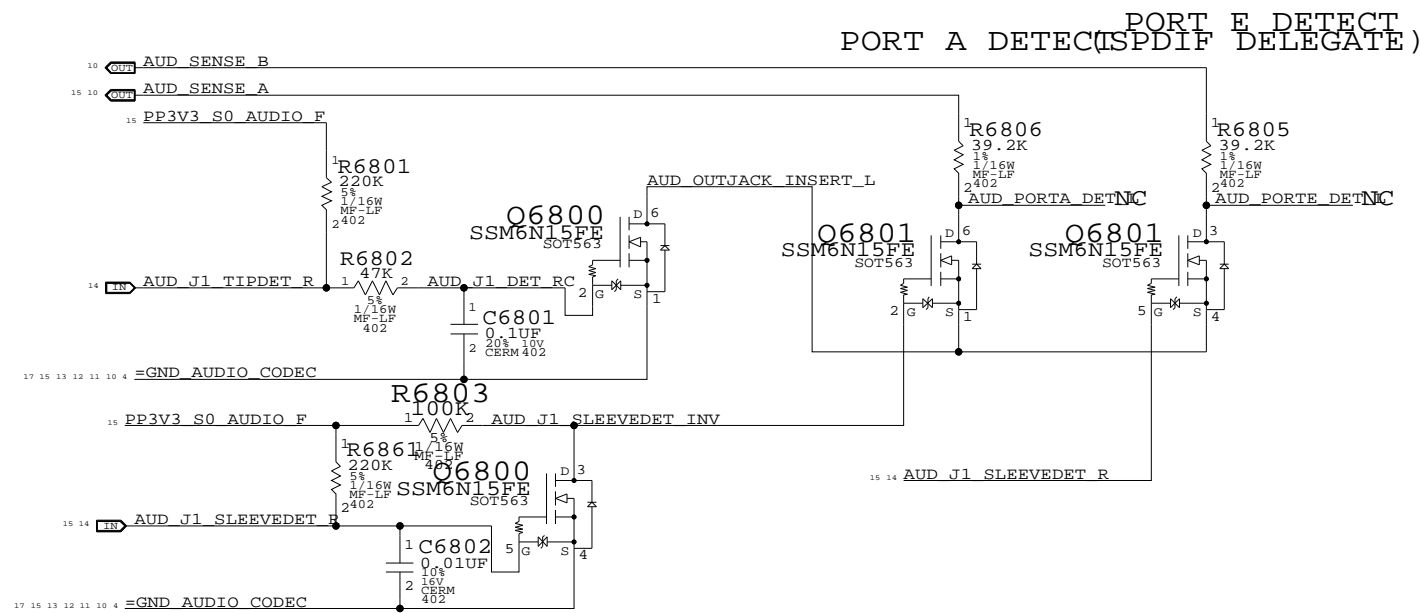
|                     |      |                |          |
|---------------------|------|----------------|----------|
| APPLE COMPUTER INC. | SIZE | DRAWING NUMBER | REV.     |
|                     | D    | 051-7268       | A.0.0    |
| SCALE               | NONE | SHT            | 14 OF 24 |

CODEC OUTPUT SIGNAL PATHS

| FUNCTION    | VOLUME    | CONVERTER | PIN             | COMPLEX | MUTE CONTROL | DET ASSIGNMENT |
|-------------|-----------|-----------|-----------------|---------|--------------|----------------|
| HP/LINE OUT | 0X0F (15) | 0X05 (05) | 0X15 (21,A)     |         | VREF A (21)  | 0X15 (21,A)    |
| SPEAKER 1   | 0X26 (38) | 0X25 (37) | 0X14 (20,D)     |         | GPIO 0       | N/A            |
| SPEAKER 2   | 0X04 (14) | 0X04 (04) | 0X16 (22,G)     |         | GPIO 0       | N/A            |
| SPDIF OUT   | N/A       | 0X06 (06) | 0X1E (30,SPDIF) |         | N/A          | 0X1B (27,E)    |

CODEC INPUT SIGNAL PATHS

| FUNCTION | MIXER     | CONVERTER | PIN             | COMPLEX | VREF              | DET ASSIGNMENT |
|----------|-----------|-----------|-----------------|---------|-------------------|----------------|
| LINE IN  | 0X23 (35) | 0X08 (08) | 0X1A (26,C)     |         | N/A               | 0X1A (26,C)    |
| MIC IN   | 0X24 (36) | 0X07 (07) | 0X18 (24,B)     |         | VREF B (24,80N/A) | N/A            |
| SPDIF IN | N/A       | 0X0A (10) | 0X1F (31,SPDIF) |         | N/A               | N/A            |



AUDIO: JACK TRANSLATORS

SYNC\_MASTER=M76\_AUDIO SYNC\_DATE=05/04/2007

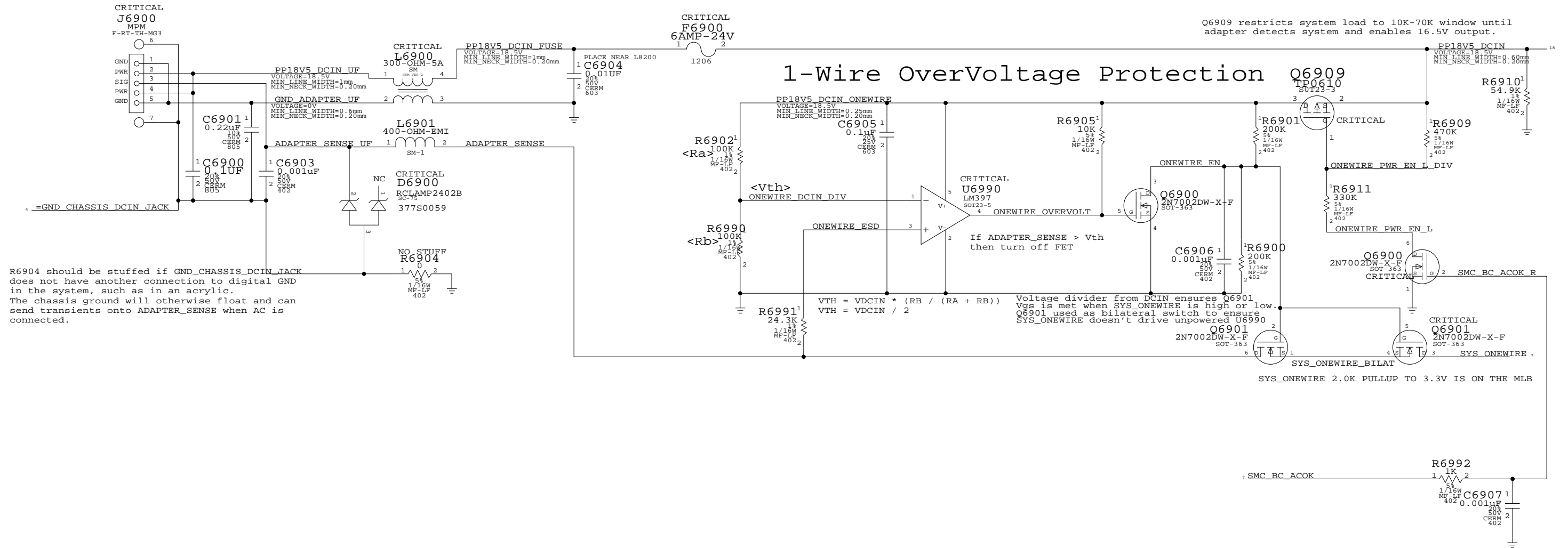
NOTICE OF PROPRIETARY PROPERTY

THE INFORMATION CONTAINED HEREIN IS THE PROPRIETARY PROPERTY OF APPLE COMPUTER, INC. THE POSSESSOR AGREES TO THE FOLLOWING  
 I TO MAINTAIN THE DOCUMENT IN CONFIDENCE  
 II NOT TO REPRODUCE OR COPY IT  
 III NOT TO REVEAL OR PUBLISH IN WHOLE OR PART

|                     |      |                |          |
|---------------------|------|----------------|----------|
| APPLE COMPUTER INC. | SIZE | DRAWING NUMBER | REV.     |
|                     | D    | 051-7268       | A.0.0    |
| SCALE               | NONE | SHT            | 15 OF 24 |

# DC Power Jack

## 1-Wire OverVoltage Protection



R6904 should be stuffed if GND\_CHASSIS\_DCIN\_JACK does not have another connection to digital GND in the system, such as in an acrylic. The chassis ground will otherwise float and can send transients onto ADAPTER\_SENSE when AC is connected.

VTH = VDCIN \* (RB / (RA + RB))  
 VTH = VDCIN / 2  
 Voltage divider from DCIN ensures Q6901 Vgs is met when SYS\_ONEWIRE is high or low. Q6901 used as bilateral switch to ensure SYS\_ONEWIRE doesn't drive unpowered U6990

SMC BC ACOK R  
 SYS\_ONEWIRE 2.0K PULLUP TO 3.3V IS ON THE MLB

### DC-In & Battery Connectors

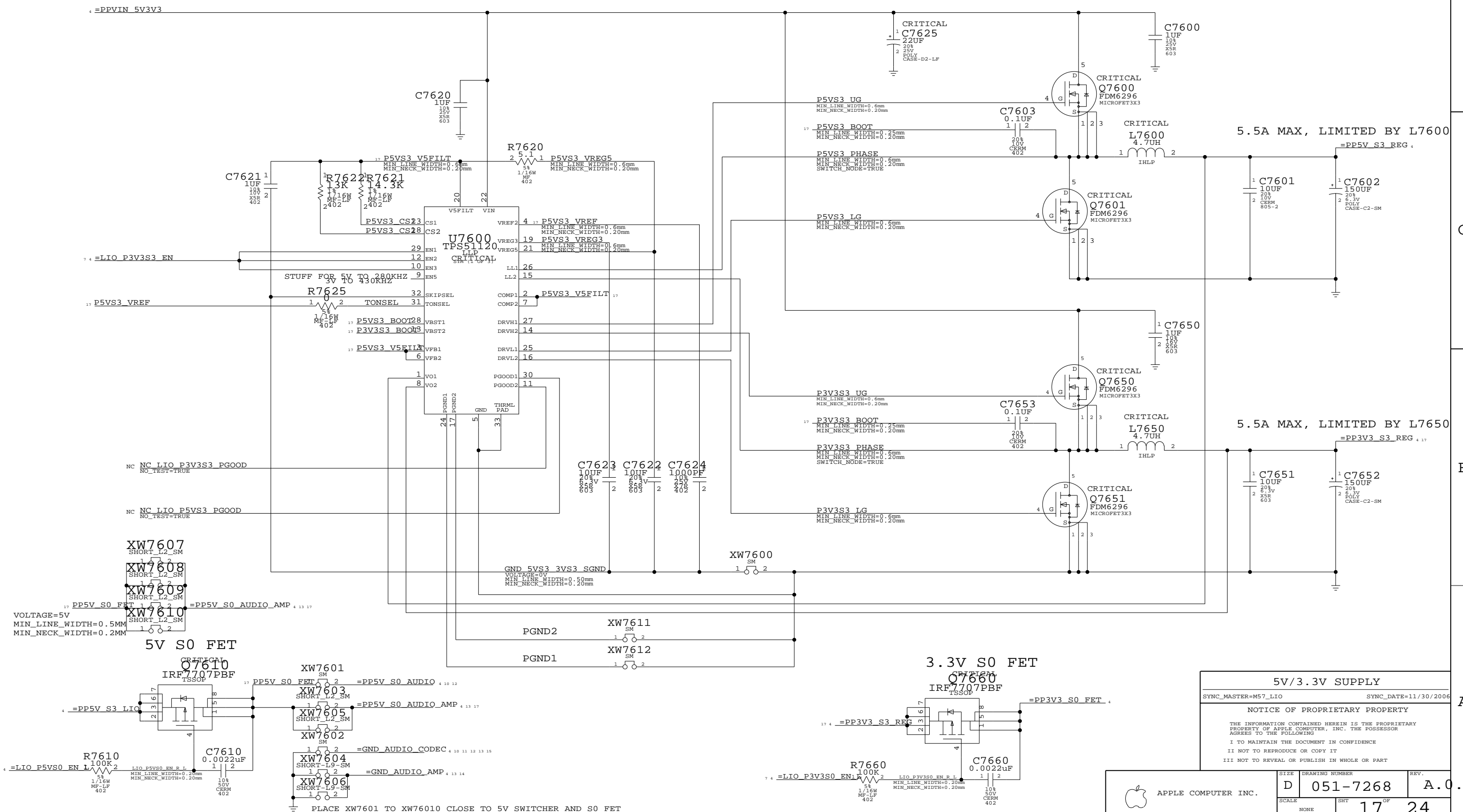
SYNC\_MASTER=M76\_LIO SYNC\_DATE=11/27/2006

NOTICE OF PROPRIETARY PROPERTY  
 THE INFORMATION CONTAINED HEREIN IS THE PROPRIETARY PROPERTY OF APPLE COMPUTER, INC. THE POSSESSOR AGREES TO THE FOLLOWING  
 I TO MAINTAIN THE DOCUMENT IN CONFIDENCE  
 II NOT TO REPRODUCE OR COPY IT  
 III NOT TO REVEAL OR PUBLISH IN WHOLE OR PART

|                     |      |                |       |
|---------------------|------|----------------|-------|
| APPLE COMPUTER INC. | SIZE | DRAWING NUMBER | REV.  |
|                     | D    | 051-7268       | A.0.0 |
| SCALE               | SHT  | OF             |       |
| NONE                | 16   | 24             |       |

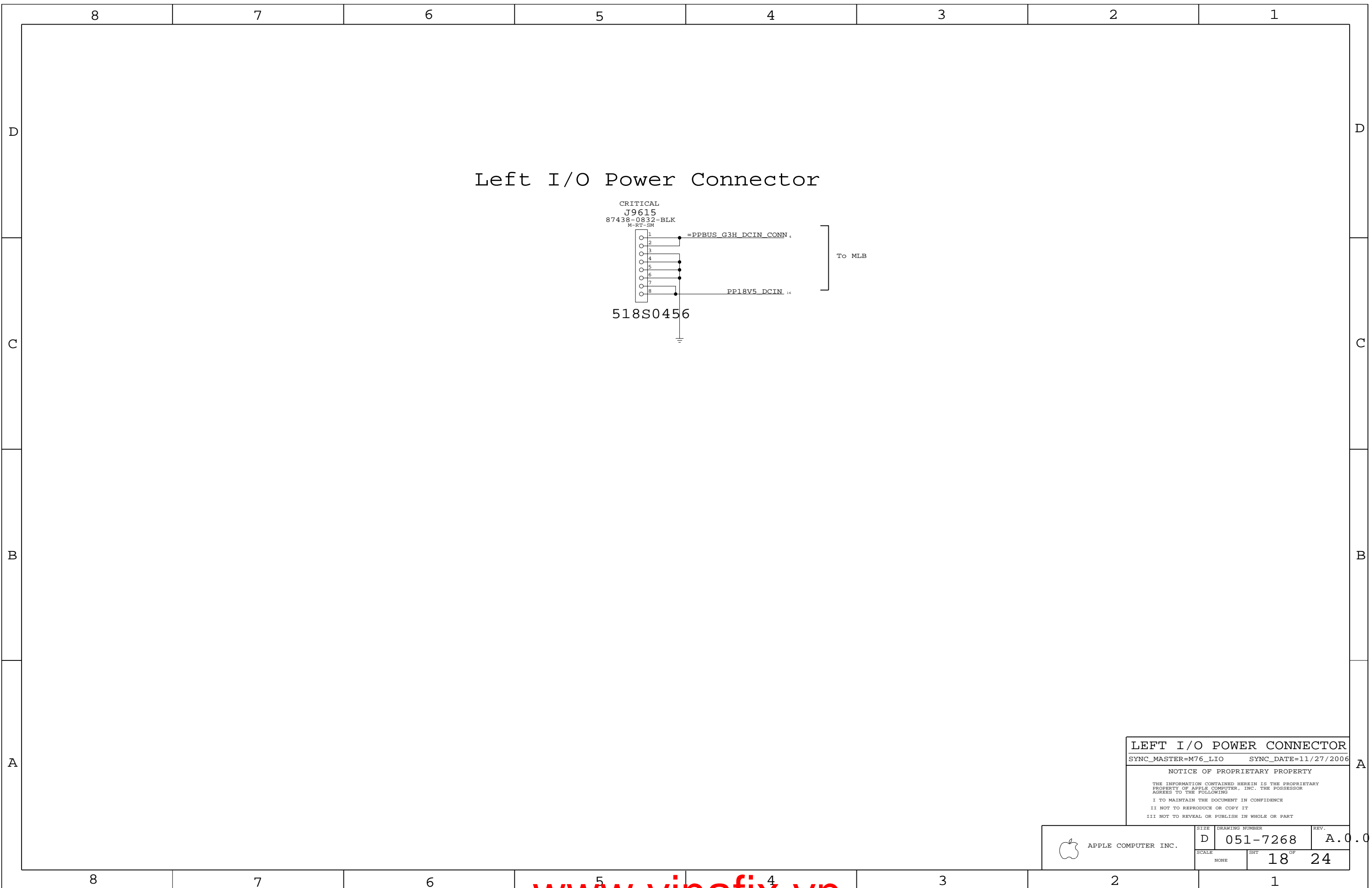


# 5V/3.3V POWER SUPPLY

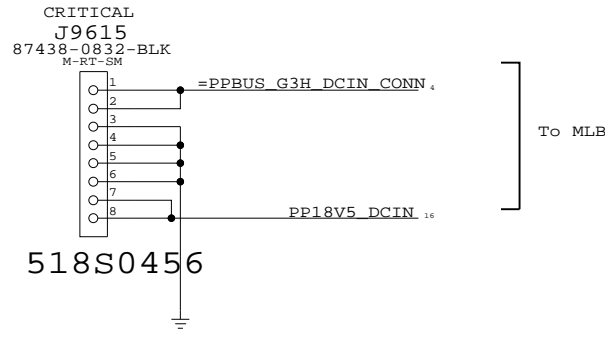


**5V/3.3V SUPPLY**  
 SYNC\_MASTER=M57\_LIO SYNC\_DATE=11/30/2006  
**NOTICE OF PROPRIETARY PROPERTY**  
 THE INFORMATION CONTAINED HEREIN IS THE PROPRIETARY PROPERTY OF APPLE COMPUTER, INC. THE POSSESSOR AGREES TO THE FOLLOWING:  
 I TO MAINTAIN THE DOCUMENT IN CONFIDENCE  
 II NOT TO REPRODUCE OR COPY IT  
 III NOT TO REVEAL OR PUBLISH IN WHOLE OR PART

|                     |      |                |       |
|---------------------|------|----------------|-------|
| APPLE COMPUTER INC. | SIZE | DRAWING NUMBER | REV.  |
|                     | NONE | 051-7268       | A.0.0 |
| SCALE               |      | SHT            | OF    |
|                     |      | 17             | 24    |



# Left I/O Power Connector




## LEFT I/O POWER CONNECTOR

SYNC\_MASTER=M76\_LIO SYNC\_DATE=11/27/2006

### NOTICE OF PROPRIETARY PROPERTY

THE INFORMATION CONTAINED HEREIN IS THE PROPRIETARY PROPERTY OF APPLE COMPUTER, INC. THE POSSESSOR AGREES TO THE FOLLOWING  
 I TO MAINTAIN THE DOCUMENT IN CONFIDENCE  
 II NOT TO REPRODUCE OR COPY IT  
 III NOT TO REVEAL OR PUBLISH IN WHOLE OR PART

|   |      |                |       |
|---|------|----------------|-------|
|  APPLE COMPUTER INC. | SIZE | DRAWING NUMBER | REV.  |
|   | D    | 051-7268       | A.0.0 |
| SCALE   | SHT  |                | OF    |
| NONE  | 18   |                | 24    |



|        |   |                 |  |         |           |       |         |           |       |         |            |       |         |            |       |         |            |       |         |            |       |         |            |       |         |            |       |         |            |       |         |            |       |         |            |       |         |            |       |         |            |       |         |            |       |         |            |       |         |            |       |         |            |       |         |            |        |         |           |       |                      |           |       |         |           |       |                    |           |       |                    |           |       |                   |           |       |                      |           |       |          |           |       |               |           |       |                     |            |       |         |           |       |              |            |        |          |            |        |          |            |        |          |            |        |          |            |        |          |            |        |          |            |        |          |            |        |          |            |        |          |            |        |          |            |        |          |            |        |           |            |        |                  |            |        |         |            |        |         |            |       |         |            |       |         |            |       |         |            |       |         |            |       |         |            |       |                  |            |       |         |            |       |         |            |       |                  |            |       |         |            |       |         |            |       |                        |           |       |                        |           |       |                        |            |       |           |            |        |                     |           |        |                     |           |       |                           |           |       |                                |           |       |                           |           |       |                                      |           |       |                                      |           |       |                               |            |       |                      |            |  |   |  |       |                     |           |       |                     |           |       |          |           |       |                     |           |       |          |           |       |          |           |       |          |           |       |              |            |       |          |            |       |          |            |       |          |            |        |                           |           |       |                     |           |       |                     |           |       |                      |                 |       |                      |                 |       |                    |            |       |                      |            |  |     |  |       |                      |            |  |     |  |       |                   |            |       |                      |                 |  |       |  |       |                   |            |       |         |           |       |         |           |       |         |           |       |         |           |       |         |           |       |         |           |       |         |           |       |         |           |       |         |           |       |         |           |       |         |           |       |         |           |       |         |           |       |         |            |
|--------|---|-----------------|--|---------|-----------|-------|---------|-----------|-------|---------|------------|-------|---------|------------|-------|---------|------------|-------|---------|------------|-------|---------|------------|-------|---------|------------|-------|---------|------------|-------|---------|------------|-------|---------|------------|-------|---------|------------|-------|---------|------------|-------|---------|------------|-------|---------|------------|-------|---------|------------|-------|---------|------------|-------|---------|------------|--------|---------|-----------|-------|----------------------|-----------|-------|---------|-----------|-------|--------------------|-----------|-------|--------------------|-----------|-------|-------------------|-----------|-------|----------------------|-----------|-------|----------|-----------|-------|---------------|-----------|-------|---------------------|------------|-------|---------|-----------|-------|--------------|------------|--------|----------|------------|--------|----------|------------|--------|----------|------------|--------|----------|------------|--------|----------|------------|--------|----------|------------|--------|----------|------------|--------|----------|------------|--------|----------|------------|--------|----------|------------|--------|----------|------------|--------|-----------|------------|--------|------------------|------------|--------|---------|------------|--------|---------|------------|-------|---------|------------|-------|---------|------------|-------|---------|------------|-------|---------|------------|-------|---------|------------|-------|------------------|------------|-------|---------|------------|-------|---------|------------|-------|------------------|------------|-------|---------|------------|-------|---------|------------|-------|------------------------|-----------|-------|------------------------|-----------|-------|------------------------|------------|-------|-----------|------------|--------|---------------------|-----------|--------|---------------------|-----------|-------|---------------------------|-----------|-------|--------------------------------|-----------|-------|---------------------------|-----------|-------|--------------------------------------|-----------|-------|--------------------------------------|-----------|-------|-------------------------------|------------|-------|----------------------|------------|--|---|--|-------|---------------------|-----------|-------|---------------------|-----------|-------|----------|-----------|-------|---------------------|-----------|-------|----------|-----------|-------|----------|-----------|-------|----------|-----------|-------|--------------|------------|-------|----------|------------|-------|----------|------------|-------|----------|------------|--------|---------------------------|-----------|-------|---------------------|-----------|-------|---------------------|-----------|-------|----------------------|-----------------|-------|----------------------|-----------------|-------|--------------------|------------|-------|----------------------|------------|--|-----|--|-------|----------------------|------------|--|-----|--|-------|-------------------|------------|-------|----------------------|-----------------|--|-------|--|-------|-------------------|------------|-------|---------|-----------|-------|---------|-----------|-------|---------|-----------|-------|---------|-----------|-------|---------|-----------|-------|---------|-----------|-------|---------|-----------|-------|---------|-----------|-------|---------|-----------|-------|---------|-----------|-------|---------|-----------|-------|---------|-----------|-------|---------|-----------|-------|---------|------------|
|        | 8   | 7               | 6  | 5       | 4         | 3     | 2       | 1         |       |         |            |       |         |            |       |         |            |       |         |            |       |         |            |       |         |            |       |         |            |       |         |            |       |         |            |       |         |            |       |         |            |       |         |            |       |         |            |       |         |            |       |         |            |       |         |            |        |         |           |       |                      |           |       |         |           |       |                    |           |       |                    |           |       |                   |           |       |                      |           |       |          |           |       |               |           |       |                     |            |       |         |           |       |              |            |        |          |            |        |          |            |        |          |            |        |          |            |        |          |            |        |          |            |        |          |            |        |          |            |        |          |            |        |          |            |        |          |            |        |           |            |        |                  |            |        |         |            |        |         |            |       |         |            |       |         |            |       |         |            |       |         |            |       |         |            |       |                  |            |       |         |            |       |         |            |       |                  |            |       |         |            |       |         |            |       |                        |           |       |                        |           |       |                        |            |       |           |            |        |                     |           |        |                     |           |       |                           |           |       |                                |           |       |                           |           |       |                                      |           |       |                                      |           |       |                               |            |       |                      |            |  |   |  |       |                     |           |       |                     |           |       |          |           |       |                     |           |       |          |           |       |          |           |       |          |           |       |              |            |       |          |            |       |          |            |       |          |            |        |                           |           |       |                     |           |       |                     |           |       |                      |                 |       |                      |                 |       |                    |            |       |                      |            |  |     |  |       |                      |            |  |     |  |       |                   |            |       |                      |                 |  |       |  |       |                   |            |       |         |           |       |         |           |       |         |           |       |         |           |       |         |           |       |         |           |       |         |           |       |         |           |       |         |           |       |         |           |       |         |           |       |         |           |       |         |           |       |         |            |
| D      | Title: Cref Part Report<br>Design: sync<br>Date: Nov 17 19:00:01 2006   |                 | <table border="1"> <tr><td>R6901</td><td>RES_402</td><td>sync[10D2]</td></tr> <tr><td>R6902</td><td>RES_402</td><td>sync[10D5]</td></tr> <tr><td>R6904</td><td>RES_402</td><td>sync[10C6]</td></tr> <tr><td>R6905</td><td>RES_402</td><td>sync[10D3]</td></tr> <tr><td>R6909</td><td>RES_402</td><td>sync[10D1]</td></tr> <tr><td>R6910</td><td>RES_402</td><td>sync[10D1]</td></tr> <tr><td>R6911</td><td>RES_402</td><td>sync[10C2]</td></tr> <tr><td>R6990</td><td>RES_402</td><td>sync[10C5]</td></tr> <tr><td>R6991</td><td>RES_402</td><td>sync[10C4]</td></tr> <tr><td>R6992</td><td>RES_402</td><td>sync[10B1]</td></tr> <tr><td>R7610</td><td>RES_402</td><td>sync[11A8]</td></tr> <tr><td>R7620</td><td>RES_402</td><td>sync[11C5]</td></tr> <tr><td>R7621</td><td>RES_402</td><td>sync[11C6]</td></tr> <tr><td>R7622</td><td>RES_402</td><td>sync[11C7]</td></tr> <tr><td>R7625</td><td>RES_402</td><td>sync[11C6]</td></tr> <tr><td>R7660</td><td>RES_402</td><td>sync[11A4]</td></tr> <tr><td>SL0800</td><td>SLOT_TH</td><td>sync[4A8]</td></tr> <tr><td>U3500</td><td>PWR_CNTRL_TPS2231_QF</td><td>sync[6C5]</td></tr> <tr><td></td><td>N</td><td></td></tr> <tr><td>U3551</td><td>MC74VHC1G00_SC70-5</td><td>sync[6A6]</td></tr> <tr><td>U3560</td><td>MC74VHC1G00_SC70-5</td><td>sync[6B2]</td></tr> <tr><td>U4600</td><td>SWI_TPS2042B_MSOP</td><td>sync[8B6]</td></tr> <tr><td>U5801</td><td>OPAMP_MAX4236EUTT_SO</td><td>sync[9C5]</td></tr> <tr><td></td><td>T23-6-LF</td><td></td></tr> <tr><td>U5802</td><td>TMP106_WCSP-6</td><td>sync[9B5]</td></tr> <tr><td>U6990</td><td>COMPARTOR_LM397_SOT</td><td>sync[10C4]</td></tr> <tr><td></td><td>23-5</td><td></td></tr> <tr><td>U7600</td><td>TPS51120_ILP</td><td>sync[11C6]</td></tr> <tr><td>XW7600</td><td>SHORT_SM</td><td>sync[11A4]</td></tr> <tr><td>XW7601</td><td>SHORT_SM</td><td>sync[11A7]</td></tr> <tr><td>XW7602</td><td>SHORT_SM</td><td>sync[11A7]</td></tr> <tr><td>XW7603</td><td>SHORT_SM</td><td>sync[11A7]</td></tr> <tr><td>XW7604</td><td>SHORT_SM</td><td>sync[11A7]</td></tr> <tr><td>XW7605</td><td>SHORT_SM</td><td>sync[11A7]</td></tr> <tr><td>XW7606</td><td>SHORT_SM</td><td>sync[11A7]</td></tr> <tr><td>XW7607</td><td>SHORT_SM</td><td>sync[11B6]</td></tr> <tr><td>XW7608</td><td>SHORT_SM</td><td>sync[11B6]</td></tr> <tr><td>XW7609</td><td>SHORT_SM</td><td>sync[11A2]</td></tr> <tr><td>XW7610</td><td>SHORT_SM</td><td>sync[11A2]</td></tr> <tr><td>ZH0801</td><td>MTGHOLE</td><td>sync[4A8]</td></tr> <tr><td>ZH0802</td><td>MTGHOLE</td><td>sync[4A8]</td></tr> <tr><td>ZH0803</td><td>MTGHOLE</td><td>sync[4A8]</td></tr> <tr><td>ZH0804</td><td>MTGHOLE</td><td>sync[4A8]</td></tr> </table> |         |           |       |         |           | R6901 | RES_402 | sync[10D2] | R6902 | RES_402 | sync[10D5] | R6904 | RES_402 | sync[10C6] | R6905 | RES_402 | sync[10D3] | R6909 | RES_402 | sync[10D1] | R6910 | RES_402 | sync[10D1] | R6911 | RES_402 | sync[10C2] | R6990 | RES_402 | sync[10C5] | R6991 | RES_402 | sync[10C4] | R6992 | RES_402 | sync[10B1] | R7610 | RES_402 | sync[11A8] | R7620 | RES_402 | sync[11C5] | R7621 | RES_402 | sync[11C6] | R7622 | RES_402 | sync[11C7] | R7625 | RES_402 | sync[11C6] | R7660 | RES_402 | sync[11A4] | SL0800 | SLOT_TH | sync[4A8] | U3500 | PWR_CNTRL_TPS2231_QF | sync[6C5] |       | N       |           | U3551 | MC74VHC1G00_SC70-5 | sync[6A6] | U3560 | MC74VHC1G00_SC70-5 | sync[6B2] | U4600 | SWI_TPS2042B_MSOP | sync[8B6] | U5801 | OPAMP_MAX4236EUTT_SO | sync[9C5] |       | T23-6-LF |           | U5802 | TMP106_WCSP-6 | sync[9B5] | U6990 | COMPARTOR_LM397_SOT | sync[10C4] |       | 23-5    |           | U7600 | TPS51120_ILP | sync[11C6] | XW7600 | SHORT_SM | sync[11A4] | XW7601 | SHORT_SM | sync[11A7] | XW7602 | SHORT_SM | sync[11A7] | XW7603 | SHORT_SM | sync[11A7] | XW7604 | SHORT_SM | sync[11A7] | XW7605 | SHORT_SM | sync[11A7] | XW7606 | SHORT_SM | sync[11A7] | XW7607 | SHORT_SM | sync[11B6] | XW7608 | SHORT_SM | sync[11B6] | XW7609 | SHORT_SM | sync[11A2] | XW7610 | SHORT_SM | sync[11A2] | ZH0801 | MTGHOLE   | sync[4A8]  | ZH0802 | MTGHOLE          | sync[4A8]  | ZH0803 | MTGHOLE | sync[4A8]  | ZH0804 | MTGHOLE | sync[4A8]  |       |         |            |       |         |            |       |         |            |       |         |            |       |         |            |       |                  |            |       |         |            |       |         |            |       |                  |            |       |         |            |       |         |            |       |                        |           |       |                        |           |       |                        |            |       |           |            |        |                     |           |        |                     |           |       |                           |           |       |                                |           |       |                           |           |       |                                      |           |       |                                      |           |       |                               |            |       |                      |            |  |   |  |       |                     |           |       |                     |           |       |          |           |       |                     |           |       |          |           |       |          |           |       |          |           |       |              |            |       |          |            |       |          |            |       |          |            |        |                           |           |       |                     |           |       |                     |           |       |                      |                 |       |                      |                 |       |                    |            |       |                      |            |  |     |  |       |                      |            |  |     |  |       |                   |            |       |                      |                 |  |       |  |       |                   |            |       |         |           |       |         |           |       |         |           |       |         |           |       |         |           |       |         |           |       |         |           |       |         |           |       |         |           |       |         |           |       |         |           |       |         |           |       |         |           |       |         |            |
|        | R6901   | RES_402         | sync[10D2]   |         |           |       |         |           |       |         |            |       |         |            |       |         |            |       |         |            |       |         |            |       |         |            |       |         |            |       |         |            |       |         |            |       |         |            |       |         |            |       |         |            |       |         |            |       |         |            |       |         |            |       |         |            |        |         |           |       |                      |           |       |         |           |       |                    |           |       |                    |           |       |                   |           |       |                      |           |       |          |           |       |               |           |       |                     |            |       |         |           |       |              |            |        |          |            |        |          |            |        |          |            |        |          |            |        |          |            |        |          |            |        |          |            |        |          |            |        |          |            |        |          |            |        |          |            |        |           |            |        |                  |            |        |         |            |        |         |            |       |         |            |       |         |            |       |         |            |       |         |            |       |         |            |       |                  |            |       |         |            |       |         |            |       |                  |            |       |         |            |       |         |            |       |                        |           |       |                        |           |       |                        |            |       |           |            |        |                     |           |        |                     |           |       |                           |           |       |                                |           |       |                           |           |       |                                      |           |       |                                      |           |       |                               |            |       |                      |            |  |   |  |       |                     |           |       |                     |           |       |          |           |       |                     |           |       |          |           |       |          |           |       |          |           |       |              |            |       |          |            |       |          |            |       |          |            |        |                           |           |       |                     |           |       |                     |           |       |                      |                 |       |                      |                 |       |                    |            |       |                      |            |  |     |  |       |                      |            |  |     |  |       |                   |            |       |                      |                 |  |       |  |       |                   |            |       |         |           |       |         |           |       |         |           |       |         |           |       |         |           |       |         |           |       |         |           |       |         |           |       |         |           |       |         |           |       |         |           |       |         |           |       |         |           |       |         |            |
| R6902  | RES_402   | sync[10D5]      |  |         |           |       |         |           |       |         |            |       |         |            |       |         |            |       |         |            |       |         |            |       |         |            |       |         |            |       |         |            |       |         |            |       |         |            |       |         |            |       |         |            |       |         |            |       |         |            |       |         |            |       |         |            |        |         |           |       |                      |           |       |         |           |       |                    |           |       |                    |           |       |                   |           |       |                      |           |       |          |           |       |               |           |       |                     |            |       |         |           |       |              |            |        |          |            |        |          |            |        |          |            |        |          |            |        |          |            |        |          |            |        |          |            |        |          |            |        |          |            |        |          |            |        |          |            |        |           |            |        |                  |            |        |         |            |        |         |            |       |         |            |       |         |            |       |         |            |       |         |            |       |         |            |       |                  |            |       |         |            |       |         |            |       |                  |            |       |         |            |       |         |            |       |                        |           |       |                        |           |       |                        |            |       |           |            |        |                     |           |        |                     |           |       |                           |           |       |                                |           |       |                           |           |       |                                      |           |       |                                      |           |       |                               |            |       |                      |            |  |   |  |       |                     |           |       |                     |           |       |          |           |       |                     |           |       |          |           |       |          |           |       |          |           |       |              |            |       |          |            |       |          |            |       |          |            |        |                           |           |       |                     |           |       |                     |           |       |                      |                 |       |                      |                 |       |                    |            |       |                      |            |  |     |  |       |                      |            |  |     |  |       |                   |            |       |                      |                 |  |       |  |       |                   |            |       |         |           |       |         |           |       |         |           |       |         |           |       |         |           |       |         |           |       |         |           |       |         |           |       |         |           |       |         |           |       |         |           |       |         |           |       |         |           |       |         |            |
| R6904  | RES_402   | sync[10C6]      |  |         |           |       |         |           |       |         |            |       |         |            |       |         |            |       |         |            |       |         |            |       |         |            |       |         |            |       |         |            |       |         |            |       |         |            |       |         |            |       |         |            |       |         |            |       |         |            |       |         |            |       |         |            |        |         |           |       |                      |           |       |         |           |       |                    |           |       |                    |           |       |                   |           |       |                      |           |       |          |           |       |               |           |       |                     |            |       |         |           |       |              |            |        |          |            |        |          |            |        |          |            |        |          |            |        |          |            |        |          |            |        |          |            |        |          |            |        |          |            |        |          |            |        |          |            |        |           |            |        |                  |            |        |         |            |        |         |            |       |         |            |       |         |            |       |         |            |       |         |            |       |         |            |       |                  |            |       |         |            |       |         |            |       |                  |            |       |         |            |       |         |            |       |                        |           |       |                        |           |       |                        |            |       |           |            |        |                     |           |        |                     |           |       |                           |           |       |                                |           |       |                           |           |       |                                      |           |       |                                      |           |       |                               |            |       |                      |            |  |   |  |       |                     |           |       |                     |           |       |          |           |       |                     |           |       |          |           |       |          |           |       |          |           |       |              |            |       |          |            |       |          |            |       |          |            |        |                           |           |       |                     |           |       |                     |           |       |                      |                 |       |                      |                 |       |                    |            |       |                      |            |  |     |  |       |                      |            |  |     |  |       |                   |            |       |                      |                 |  |       |  |       |                   |            |       |         |           |       |         |           |       |         |           |       |         |           |       |         |           |       |         |           |       |         |           |       |         |           |       |         |           |       |         |           |       |         |           |       |         |           |       |         |           |       |         |            |
| R6905  | RES_402   | sync[10D3]      |  |         |           |       |         |           |       |         |            |       |         |            |       |         |            |       |         |            |       |         |            |       |         |            |       |         |            |       |         |            |       |         |            |       |         |            |       |         |            |       |         |            |       |         |            |       |         |            |       |         |            |       |         |            |        |         |           |       |                      |           |       |         |           |       |                    |           |       |                    |           |       |                   |           |       |                      |           |       |          |           |       |               |           |       |                     |            |       |         |           |       |              |            |        |          |            |        |          |            |        |          |            |        |          |            |        |          |            |        |          |            |        |          |            |        |          |            |        |          |            |        |          |            |        |          |            |        |           |            |        |                  |            |        |         |            |        |         |            |       |         |            |       |         |            |       |         |            |       |         |            |       |         |            |       |                  |            |       |         |            |       |         |            |       |                  |            |       |         |            |       |         |            |       |                        |           |       |                        |           |       |                        |            |       |           |            |        |                     |           |        |                     |           |       |                           |           |       |                                |           |       |                           |           |       |                                      |           |       |                                      |           |       |                               |            |       |                      |            |  |   |  |       |                     |           |       |                     |           |       |          |           |       |                     |           |       |          |           |       |          |           |       |          |           |       |              |            |       |          |            |       |          |            |       |          |            |        |                           |           |       |                     |           |       |                     |           |       |                      |                 |       |                      |                 |       |                    |            |       |                      |            |  |     |  |       |                      |            |  |     |  |       |                   |            |       |                      |                 |  |       |  |       |                   |            |       |         |           |       |         |           |       |         |           |       |         |           |       |         |           |       |         |           |       |         |           |       |         |           |       |         |           |       |         |           |       |         |           |       |         |           |       |         |           |       |         |            |
| R6909  | RES_402   | sync[10D1]      |  |         |           |       |         |           |       |         |            |       |         |            |       |         |            |       |         |            |       |         |            |       |         |            |       |         |            |       |         |            |       |         |            |       |         |            |       |         |            |       |         |            |       |         |            |       |         |            |       |         |            |       |         |            |        |         |           |       |                      |           |       |         |           |       |                    |           |       |                    |           |       |                   |           |       |                      |           |       |          |           |       |               |           |       |                     |            |       |         |           |       |              |            |        |          |            |        |          |            |        |          |            |        |          |            |        |          |            |        |          |            |        |          |            |        |          |            |        |          |            |        |          |            |        |          |            |        |           |            |        |                  |            |        |         |            |        |         |            |       |         |            |       |         |            |       |         |            |       |         |            |       |         |            |       |                  |            |       |         |            |       |         |            |       |                  |            |       |         |            |       |         |            |       |                        |           |       |                        |           |       |                        |            |       |           |            |        |                     |           |        |                     |           |       |                           |           |       |                                |           |       |                           |           |       |                                      |           |       |                                      |           |       |                               |            |       |                      |            |  |   |  |       |                     |           |       |                     |           |       |          |           |       |                     |           |       |          |           |       |          |           |       |          |           |       |              |            |       |          |            |       |          |            |       |          |            |        |                           |           |       |                     |           |       |                     |           |       |                      |                 |       |                      |                 |       |                    |            |       |                      |            |  |     |  |       |                      |            |  |     |  |       |                   |            |       |                      |                 |  |       |  |       |                   |            |       |         |           |       |         |           |       |         |           |       |         |           |       |         |           |       |         |           |       |         |           |       |         |           |       |         |           |       |         |           |       |         |           |       |         |           |       |         |           |       |         |            |
| R6910  | RES_402   | sync[10D1]      |  |         |           |       |         |           |       |         |            |       |         |            |       |         |            |       |         |            |       |         |            |       |         |            |       |         |            |       |         |            |       |         |            |       |         |            |       |         |            |       |         |            |       |         |            |       |         |            |       |         |            |       |         |            |        |         |           |       |                      |           |       |         |           |       |                    |           |       |                    |           |       |                   |           |       |                      |           |       |          |           |       |               |           |       |                     |            |       |         |           |       |              |            |        |          |            |        |          |            |        |          |            |        |          |            |        |          |            |        |          |            |        |          |            |        |          |            |        |          |            |        |          |            |        |          |            |        |           |            |        |                  |            |        |         |            |        |         |            |       |         |            |       |         |            |       |         |            |       |         |            |       |         |            |       |                  |            |       |         |            |       |         |            |       |                  |            |       |         |            |       |         |            |       |                        |           |       |                        |           |       |                        |            |       |           |            |        |                     |           |        |                     |           |       |                           |           |       |                                |           |       |                           |           |       |                                      |           |       |                                      |           |       |                               |            |       |                      |            |  |   |  |       |                     |           |       |                     |           |       |          |           |       |                     |           |       |          |           |       |          |           |       |          |           |       |              |            |       |          |            |       |          |            |       |          |            |        |                           |           |       |                     |           |       |                     |           |       |                      |                 |       |                      |                 |       |                    |            |       |                      |            |  |     |  |       |                      |            |  |     |  |       |                   |            |       |                      |                 |  |       |  |       |                   |            |       |         |           |       |         |           |       |         |           |       |         |           |       |         |           |       |         |           |       |         |           |       |         |           |       |         |           |       |         |           |       |         |           |       |         |           |       |         |           |       |         |            |
| R6911  | RES_402   | sync[10C2]      |  |         |           |       |         |           |       |         |            |       |         |            |       |         |            |       |         |            |       |         |            |       |         |            |       |         |            |       |         |            |       |         |            |       |         |            |       |         |            |       |         |            |       |         |            |       |         |            |       |         |            |       |         |            |        |         |           |       |                      |           |       |         |           |       |                    |           |       |                    |           |       |                   |           |       |                      |           |       |          |           |       |               |           |       |                     |            |       |         |           |       |              |            |        |          |            |        |          |            |        |          |            |        |          |            |        |          |            |        |          |            |        |          |            |        |          |            |        |          |            |        |          |            |        |          |            |        |           |            |        |                  |            |        |         |            |        |         |            |       |         |            |       |         |            |       |         |            |       |         |            |       |         |            |       |                  |            |       |         |            |       |         |            |       |                  |            |       |         |            |       |         |            |       |                        |           |       |                        |           |       |                        |            |       |           |            |        |                     |           |        |                     |           |       |                           |           |       |                                |           |       |                           |           |       |                                      |           |       |                                      |           |       |                               |            |       |                      |            |  |   |  |       |                     |           |       |                     |           |       |          |           |       |                     |           |       |          |           |       |          |           |       |          |           |       |              |            |       |          |            |       |          |            |       |          |            |        |                           |           |       |                     |           |       |                     |           |       |                      |                 |       |                      |                 |       |                    |            |       |                      |            |  |     |  |       |                      |            |  |     |  |       |                   |            |       |                      |                 |  |       |  |       |                   |            |       |         |           |       |         |           |       |         |           |       |         |           |       |         |           |       |         |           |       |         |           |       |         |           |       |         |           |       |         |           |       |         |           |       |         |           |       |         |           |       |         |            |
| R6990  | RES_402   | sync[10C5]      |  |         |           |       |         |           |       |         |            |       |         |            |       |         |            |       |         |            |       |         |            |       |         |            |       |         |            |       |         |            |       |         |            |       |         |            |       |         |            |       |         |            |       |         |            |       |         |            |       |         |            |       |         |            |        |         |           |       |                      |           |       |         |           |       |                    |           |       |                    |           |       |                   |           |       |                      |           |       |          |           |       |               |           |       |                     |            |       |         |           |       |              |            |        |          |            |        |          |            |        |          |            |        |          |            |        |          |            |        |          |            |        |          |            |        |          |            |        |          |            |        |          |            |        |          |            |        |           |            |        |                  |            |        |         |            |        |         |            |       |         |            |       |         |            |       |         |            |       |         |            |       |         |            |       |                  |            |       |         |            |       |         |            |       |                  |            |       |         |            |       |         |            |       |                        |           |       |                        |           |       |                        |            |       |           |            |        |                     |           |        |                     |           |       |                           |           |       |                                |           |       |                           |           |       |                                      |           |       |                                      |           |       |                               |            |       |                      |            |  |   |  |       |                     |           |       |                     |           |       |          |           |       |                     |           |       |          |           |       |          |           |       |          |           |       |              |            |       |          |            |       |          |            |       |          |            |        |                           |           |       |                     |           |       |                     |           |       |                      |                 |       |                      |                 |       |                    |            |       |                      |            |  |     |  |       |                      |            |  |     |  |       |                   |            |       |                      |                 |  |       |  |       |                   |            |       |         |           |       |         |           |       |         |           |       |         |           |       |         |           |       |         |           |       |         |           |       |         |           |       |         |           |       |         |           |       |         |           |       |         |           |       |         |           |       |         |            |
| R6991  | RES_402   | sync[10C4]      |  |         |           |       |         |           |       |         |            |       |         |            |       |         |            |       |         |            |       |         |            |       |         |            |       |         |            |       |         |            |       |         |            |       |         |            |       |         |            |       |         |            |       |         |            |       |         |            |       |         |            |       |         |            |        |         |           |       |                      |           |       |         |           |       |                    |           |       |                    |           |       |                   |           |       |                      |           |       |          |           |       |               |           |       |                     |            |       |         |           |       |              |            |        |          |            |        |          |            |        |          |            |        |          |            |        |          |            |        |          |            |        |          |            |        |          |            |        |          |            |        |          |            |        |          |            |        |           |            |        |                  |            |        |         |            |        |         |            |       |         |            |       |         |            |       |         |            |       |         |            |       |         |            |       |                  |            |       |         |            |       |         |            |       |                  |            |       |         |            |       |         |            |       |                        |           |       |                        |           |       |                        |            |       |           |            |        |                     |           |        |                     |           |       |                           |           |       |                                |           |       |                           |           |       |                                      |           |       |                                      |           |       |                               |            |       |                      |            |  |   |  |       |                     |           |       |                     |           |       |          |           |       |                     |           |       |          |           |       |          |           |       |          |           |       |              |            |       |          |            |       |          |            |       |          |            |        |                           |           |       |                     |           |       |                     |           |       |                      |                 |       |                      |                 |       |                    |            |       |                      |            |  |     |  |       |                      |            |  |     |  |       |                   |            |       |                      |                 |  |       |  |       |                   |            |       |         |           |       |         |           |       |         |           |       |         |           |       |         |           |       |         |           |       |         |           |       |         |           |       |         |           |       |         |           |       |         |           |       |         |           |       |         |           |       |         |            |
| R6992  | RES_402   | sync[10B1]      |  |         |           |       |         |           |       |         |            |       |         |            |       |         |            |       |         |            |       |         |            |       |         |            |       |         |            |       |         |            |       |         |            |       |         |            |       |         |            |       |         |            |       |         |            |       |         |            |       |         |            |       |         |            |        |         |           |       |                      |           |       |         |           |       |                    |           |       |                    |           |       |                   |           |       |                      |           |       |          |           |       |               |           |       |                     |            |       |         |           |       |              |            |        |          |            |        |          |            |        |          |            |        |          |            |        |          |            |        |          |            |        |          |            |        |          |            |        |          |            |        |          |            |        |          |            |        |           |            |        |                  |            |        |         |            |        |         |            |       |         |            |       |         |            |       |         |            |       |         |            |       |         |            |       |                  |            |       |         |            |       |         |            |       |                  |            |       |         |            |       |         |            |       |                        |           |       |                        |           |       |                        |            |       |           |            |        |                     |           |        |                     |           |       |                           |           |       |                                |           |       |                           |           |       |                                      |           |       |                                      |           |       |                               |            |       |                      |            |  |   |  |       |                     |           |       |                     |           |       |          |           |       |                     |           |       |          |           |       |          |           |       |          |           |       |              |            |       |          |            |       |          |            |       |          |            |        |                           |           |       |                     |           |       |                     |           |       |                      |                 |       |                      |                 |       |                    |            |       |                      |            |  |     |  |       |                      |            |  |     |  |       |                   |            |       |                      |                 |  |       |  |       |                   |            |       |         |           |       |         |           |       |         |           |       |         |           |       |         |           |       |         |           |       |         |           |       |         |           |       |         |           |       |         |           |       |         |           |       |         |           |       |         |           |       |         |            |
| R7610  | RES_402   | sync[11A8]      |  |         |           |       |         |           |       |         |            |       |         |            |       |         |            |       |         |            |       |         |            |       |         |            |       |         |            |       |         |            |       |         |            |       |         |            |       |         |            |       |         |            |       |         |            |       |         |            |       |         |            |       |         |            |        |         |           |       |                      |           |       |         |           |       |                    |           |       |                    |           |       |                   |           |       |                      |           |       |          |           |       |               |           |       |                     |            |       |         |           |       |              |            |        |          |            |        |          |            |        |          |            |        |          |            |        |          |            |        |          |            |        |          |            |        |          |            |        |          |            |        |          |            |        |          |            |        |           |            |        |                  |            |        |         |            |        |         |            |       |         |            |       |         |            |       |         |            |       |         |            |       |         |            |       |                  |            |       |         |            |       |         |            |       |                  |            |       |         |            |       |         |            |       |                        |           |       |                        |           |       |                        |            |       |           |            |        |                     |           |        |                     |           |       |                           |           |       |                                |           |       |                           |           |       |                                      |           |       |                                      |           |       |                               |            |       |                      |            |  |   |  |       |                     |           |       |                     |           |       |          |           |       |                     |           |       |          |           |       |          |           |       |          |           |       |              |            |       |          |            |       |          |            |       |          |            |        |                           |           |       |                     |           |       |                     |           |       |                      |                 |       |                      |                 |       |                    |            |       |                      |            |  |     |  |       |                      |            |  |     |  |       |                   |            |       |                      |                 |  |       |  |       |                   |            |       |         |           |       |         |           |       |         |           |       |         |           |       |         |           |       |         |           |       |         |           |       |         |           |       |         |           |       |         |           |       |         |           |       |         |           |       |         |           |       |         |            |
| R7620  | RES_402   | sync[11C5]      |  |         |           |       |         |           |       |         |            |       |         |            |       |         |            |       |         |            |       |         |            |       |         |            |       |         |            |       |         |            |       |         |            |       |         |            |       |         |            |       |         |            |       |         |            |       |         |            |       |         |            |       |         |            |        |         |           |       |                      |           |       |         |           |       |                    |           |       |                    |           |       |                   |           |       |                      |           |       |          |           |       |               |           |       |                     |            |       |         |           |       |              |            |        |          |            |        |          |            |        |          |            |        |          |            |        |          |            |        |          |            |        |          |            |        |          |            |        |          |            |        |          |            |        |          |            |        |           |            |        |                  |            |        |         |            |        |         |            |       |         |            |       |         |            |       |         |            |       |         |            |       |         |            |       |                  |            |       |         |            |       |         |            |       |                  |            |       |         |            |       |         |            |       |                        |           |       |                        |           |       |                        |            |       |           |            |        |                     |           |        |                     |           |       |                           |           |       |                                |           |       |                           |           |       |                                      |           |       |                                      |           |       |                               |            |       |                      |            |  |   |  |       |                     |           |       |                     |           |       |          |           |       |                     |           |       |          |           |       |          |           |       |          |           |       |              |            |       |          |            |       |          |            |       |          |            |        |                           |           |       |                     |           |       |                     |           |       |                      |                 |       |                      |                 |       |                    |            |       |                      |            |  |     |  |       |                      |            |  |     |  |       |                   |            |       |                      |                 |  |       |  |       |                   |            |       |         |           |       |         |           |       |         |           |       |         |           |       |         |           |       |         |           |       |         |           |       |         |           |       |         |           |       |         |           |       |         |           |       |         |           |       |         |           |       |         |            |
| R7621  | RES_402   | sync[11C6]      |  |         |           |       |         |           |       |         |            |       |         |            |       |         |            |       |         |            |       |         |            |       |         |            |       |         |            |       |         |            |       |         |            |       |         |            |       |         |            |       |         |            |       |         |            |       |         |            |       |         |            |       |         |            |        |         |           |       |                      |           |       |         |           |       |                    |           |       |                    |           |       |                   |           |       |                      |           |       |          |           |       |               |           |       |                     |            |       |         |           |       |              |            |        |          |            |        |          |            |        |          |            |        |          |            |        |          |            |        |          |            |        |          |            |        |          |            |        |          |            |        |          |            |        |          |            |        |           |            |        |                  |            |        |         |            |        |         |            |       |         |            |       |         |            |       |         |            |       |         |            |       |         |            |       |                  |            |       |         |            |       |         |            |       |                  |            |       |         |            |       |         |            |       |                        |           |       |                        |           |       |                        |            |       |           |            |        |                     |           |        |                     |           |       |                           |           |       |                                |           |       |                           |           |       |                                      |           |       |                                      |           |       |                               |            |       |                      |            |  |   |  |       |                     |           |       |                     |           |       |          |           |       |                     |           |       |          |           |       |          |           |       |          |           |       |              |            |       |          |            |       |          |            |       |          |            |        |                           |           |       |                     |           |       |                     |           |       |                      |                 |       |                      |                 |       |                    |            |       |                      |            |  |     |  |       |                      |            |  |     |  |       |                   |            |       |                      |                 |  |       |  |       |                   |            |       |         |           |       |         |           |       |         |           |       |         |           |       |         |           |       |         |           |       |         |           |       |         |           |       |         |           |       |         |           |       |         |           |       |         |           |       |         |           |       |         |            |
| R7622  | RES_402   | sync[11C7]      |  |         |           |       |         |           |       |         |            |       |         |            |       |         |            |       |         |            |       |         |            |       |         |            |       |         |            |       |         |            |       |         |            |       |         |            |       |         |            |       |         |            |       |         |            |       |         |            |       |         |            |       |         |            |        |         |           |       |                      |           |       |         |           |       |                    |           |       |                    |           |       |                   |           |       |                      |           |       |          |           |       |               |           |       |                     |            |       |         |           |       |              |            |        |          |            |        |          |            |        |          |            |        |          |            |        |          |            |        |          |            |        |          |            |        |          |            |        |          |            |        |          |            |        |          |            |        |           |            |        |                  |            |        |         |            |        |         |            |       |         |            |       |         |            |       |         |            |       |         |            |       |         |            |       |                  |            |       |         |            |       |         |            |       |                  |            |       |         |            |       |         |            |       |                        |           |       |                        |           |       |                        |            |       |           |            |        |                     |           |        |                     |           |       |                           |           |       |                                |           |       |                           |           |       |                                      |           |       |                                      |           |       |                               |            |       |                      |            |  |   |  |       |                     |           |       |                     |           |       |          |           |       |                     |           |       |          |           |       |          |           |       |          |           |       |              |            |       |          |            |       |          |            |       |          |            |        |                           |           |       |                     |           |       |                     |           |       |                      |                 |       |                      |                 |       |                    |            |       |                      |            |  |     |  |       |                      |            |  |     |  |       |                   |            |       |                      |                 |  |       |  |       |                   |            |       |         |           |       |         |           |       |         |           |       |         |           |       |         |           |       |         |           |       |         |           |       |         |           |       |         |           |       |         |           |       |         |           |       |         |           |       |         |           |       |         |            |
| R7625  | RES_402   | sync[11C6]      |  |         |           |       |         |           |       |         |            |       |         |            |       |         |            |       |         |            |       |         |            |       |         |            |       |         |            |       |         |            |       |         |            |       |         |            |       |         |            |       |         |            |       |         |            |       |         |            |       |         |            |       |         |            |        |         |           |       |                      |           |       |         |           |       |                    |           |       |                    |           |       |                   |           |       |                      |           |       |          |           |       |               |           |       |                     |            |       |         |           |       |              |            |        |          |            |        |          |            |        |          |            |        |          |            |        |          |            |        |          |            |        |          |            |        |          |            |        |          |            |        |          |            |        |          |            |        |           |            |        |                  |            |        |         |            |        |         |            |       |         |            |       |         |            |       |         |            |       |         |            |       |         |            |       |                  |            |       |         |            |       |         |            |       |                  |            |       |         |            |       |         |            |       |                        |           |       |                        |           |       |                        |            |       |           |            |        |                     |           |        |                     |           |       |                           |           |       |                                |           |       |                           |           |       |                                      |           |       |                                      |           |       |                               |            |       |                      |            |  |   |  |       |                     |           |       |                     |           |       |          |           |       |                     |           |       |          |           |       |          |           |       |          |           |       |              |            |       |          |            |       |          |            |       |          |            |        |                           |           |       |                     |           |       |                     |           |       |                      |                 |       |                      |                 |       |                    |            |       |                      |            |  |     |  |       |                      |            |  |     |  |       |                   |            |       |                      |                 |  |       |  |       |                   |            |       |         |           |       |         |           |       |         |           |       |         |           |       |         |           |       |         |           |       |         |           |       |         |           |       |         |           |       |         |           |       |         |           |       |         |           |       |         |           |       |         |            |
| R7660  | RES_402   | sync[11A4]      |  |         |           |       |         |           |       |         |            |       |         |            |       |         |            |       |         |            |       |         |            |       |         |            |       |         |            |       |         |            |       |         |            |       |         |            |       |         |            |       |         |            |       |         |            |       |         |            |       |         |            |       |         |            |        |         |           |       |                      |           |       |         |           |       |                    |           |       |                    |           |       |                   |           |       |                      |           |       |          |           |       |               |           |       |                     |            |       |         |           |       |              |            |        |          |            |        |          |            |        |          |            |        |          |            |        |          |            |        |          |            |        |          |            |        |          |            |        |          |            |        |          |            |        |          |            |        |           |            |        |                  |            |        |         |            |        |         |            |       |         |            |       |         |            |       |         |            |       |         |            |       |         |            |       |                  |            |       |         |            |       |         |            |       |                  |            |       |         |            |       |         |            |       |                        |           |       |                        |           |       |                        |            |       |           |            |        |                     |           |        |                     |           |       |                           |           |       |                                |           |       |                           |           |       |                                      |           |       |                                      |           |       |                               |            |       |                      |            |  |   |  |       |                     |           |       |                     |           |       |          |           |       |                     |           |       |          |           |       |          |           |       |          |           |       |              |            |       |          |            |       |          |            |       |          |            |        |                           |           |       |                     |           |       |                     |           |       |                      |                 |       |                      |                 |       |                    |            |       |                      |            |  |     |  |       |                      |            |  |     |  |       |                   |            |       |                      |                 |  |       |  |       |                   |            |       |         |           |       |         |           |       |         |           |       |         |           |       |         |           |       |         |           |       |         |           |       |         |           |       |         |           |       |         |           |       |         |           |       |         |           |       |         |           |       |         |            |
| SL0800 | SLOT_TH   | sync[4A8]       |  |         |           |       |         |           |       |         |            |       |         |            |       |         |            |       |         |            |       |         |            |       |         |            |       |         |            |       |         |            |       |         |            |       |         |            |       |         |            |       |         |            |       |         |            |       |         |            |       |         |            |       |         |            |        |         |           |       |                      |           |       |         |           |       |                    |           |       |                    |           |       |                   |           |       |                      |           |       |          |           |       |               |           |       |                     |            |       |         |           |       |              |            |        |          |            |        |          |            |        |          |            |        |          |            |        |          |            |        |          |            |        |          |            |        |          |            |        |          |            |        |          |            |        |          |            |        |           |            |        |                  |            |        |         |            |        |         |            |       |         |            |       |         |            |       |         |            |       |         |            |       |         |            |       |                  |            |       |         |            |       |         |            |       |                  |            |       |         |            |       |         |            |       |                        |           |       |                        |           |       |                        |            |       |           |            |        |                     |           |        |                     |           |       |                           |           |       |                                |           |       |                           |           |       |                                      |           |       |                                      |           |       |                               |            |       |                      |            |  |   |  |       |                     |           |       |                     |           |       |          |           |       |                     |           |       |          |           |       |          |           |       |          |           |       |              |            |       |          |            |       |          |            |       |          |            |        |                           |           |       |                     |           |       |                     |           |       |                      |                 |       |                      |                 |       |                    |            |       |                      |            |  |     |  |       |                      |            |  |     |  |       |                   |            |       |                      |                 |  |       |  |       |                   |            |       |         |           |       |         |           |       |         |           |       |         |           |       |         |           |       |         |           |       |         |           |       |         |           |       |         |           |       |         |           |       |         |           |       |         |           |       |         |           |       |         |            |
| U3500  | PWR_CNTRL_TPS2231_QF  | sync[6C5]       |  |         |           |       |         |           |       |         |            |       |         |            |       |         |            |       |         |            |       |         |            |       |         |            |       |         |            |       |         |            |       |         |            |       |         |            |       |         |            |       |         |            |       |         |            |       |         |            |       |         |            |       |         |            |        |         |           |       |                      |           |       |         |           |       |                    |           |       |                    |           |       |                   |           |       |                      |           |       |          |           |       |               |           |       |                     |            |       |         |           |       |              |            |        |          |            |        |          |            |        |          |            |        |          |            |        |          |            |        |          |            |        |          |            |        |          |            |        |          |            |        |          |            |        |          |            |        |           |            |        |                  |            |        |         |            |        |         |            |       |         |            |       |         |            |       |         |            |       |         |            |       |         |            |       |                  |            |       |         |            |       |         |            |       |                  |            |       |         |            |       |         |            |       |                        |           |       |                        |           |       |                        |            |       |           |            |        |                     |           |        |                     |           |       |                           |           |       |                                |           |       |                           |           |       |                                      |           |       |                                      |           |       |                               |            |       |                      |            |  |   |  |       |                     |           |       |                     |           |       |          |           |       |                     |           |       |          |           |       |          |           |       |          |           |       |              |            |       |          |            |       |          |            |       |          |            |        |                           |           |       |                     |           |       |                     |           |       |                      |                 |       |                      |                 |       |                    |            |       |                      |            |  |     |  |       |                      |            |  |     |  |       |                   |            |       |                      |                 |  |       |  |       |                   |            |       |         |           |       |         |           |       |         |           |       |         |           |       |         |           |       |         |           |       |         |           |       |         |           |       |         |           |       |         |           |       |         |           |       |         |           |       |         |           |       |         |            |
|        | N   |                 |  |         |           |       |         |           |       |         |            |       |         |            |       |         |            |       |         |            |       |         |            |       |         |            |       |         |            |       |         |            |       |         |            |       |         |            |       |         |            |       |         |            |       |         |            |       |         |            |       |         |            |       |         |            |        |         |           |       |                      |           |       |         |           |       |                    |           |       |                    |           |       |                   |           |       |                      |           |       |          |           |       |               |           |       |                     |            |       |         |           |       |              |            |        |          |            |        |          |            |        |          |            |        |          |            |        |          |            |        |          |            |        |          |            |        |          |            |        |          |            |        |          |            |        |          |            |        |           |            |        |                  |            |        |         |            |        |         |            |       |         |            |       |         |            |       |         |            |       |         |            |       |         |            |       |                  |            |       |         |            |       |         |            |       |                  |            |       |         |            |       |         |            |       |                        |           |       |                        |           |       |                        |            |       |           |            |        |                     |           |        |                     |           |       |                           |           |       |                                |           |       |                           |           |       |                                      |           |       |                                      |           |       |                               |            |       |                      |            |  |   |  |       |                     |           |       |                     |           |       |          |           |       |                     |           |       |          |           |       |          |           |       |          |           |       |              |            |       |          |            |       |          |            |       |          |            |        |                           |           |       |                     |           |       |                     |           |       |                      |                 |       |                      |                 |       |                    |            |       |                      |            |  |     |  |       |                      |            |  |     |  |       |                   |            |       |                      |                 |  |       |  |       |                   |            |       |         |           |       |         |           |       |         |           |       |         |           |       |         |           |       |         |           |       |         |           |       |         |           |       |         |           |       |         |           |       |         |           |       |         |           |       |         |           |       |         |            |
| U3551  | MC74VHC1G00_SC70-5  | sync[6A6]       |  |         |           |       |         |           |       |         |            |       |         |            |       |         |            |       |         |            |       |         |            |       |         |            |       |         |            |       |         |            |       |         |            |       |         |            |       |         |            |       |         |            |       |         |            |       |         |            |       |         |            |       |         |            |        |         |           |       |                      |           |       |         |           |       |                    |           |       |                    |           |       |                   |           |       |                      |           |       |          |           |       |               |           |       |                     |            |       |         |           |       |              |            |        |          |            |        |          |            |        |          |            |        |          |            |        |          |            |        |          |            |        |          |            |        |          |            |        |          |            |        |          |            |        |          |            |        |           |            |        |                  |            |        |         |            |        |         |            |       |         |            |       |         |            |       |         |            |       |         |            |       |         |            |       |                  |            |       |         |            |       |         |            |       |                  |            |       |         |            |       |         |            |       |                        |           |       |                        |           |       |                        |            |       |           |            |        |                     |           |        |                     |           |       |                           |           |       |                                |           |       |                           |           |       |                                      |           |       |                                      |           |       |                               |            |       |                      |            |  |   |  |       |                     |           |       |                     |           |       |          |           |       |                     |           |       |          |           |       |          |           |       |          |           |       |              |            |       |          |            |       |          |            |       |          |            |        |                           |           |       |                     |           |       |                     |           |       |                      |                 |       |                      |                 |       |                    |            |       |                      |            |  |     |  |       |                      |            |  |     |  |       |                   |            |       |                      |                 |  |       |  |       |                   |            |       |         |           |       |         |           |       |         |           |       |         |           |       |         |           |       |         |           |       |         |           |       |         |           |       |         |           |       |         |           |       |         |           |       |         |           |       |         |           |       |         |            |
| U3560  | MC74VHC1G00_SC70-5  | sync[6B2]       |  |         |           |       |         |           |       |         |            |       |         |            |       |         |            |       |         |            |       |         |            |       |         |            |       |         |            |       |         |            |       |         |            |       |         |            |       |         |            |       |         |            |       |         |            |       |         |            |       |         |            |       |         |            |        |         |           |       |                      |           |       |         |           |       |                    |           |       |                    |           |       |                   |           |       |                      |           |       |          |           |       |               |           |       |                     |            |       |         |           |       |              |            |        |          |            |        |          |            |        |          |            |        |          |            |        |          |            |        |          |            |        |          |            |        |          |            |        |          |            |        |          |            |        |          |            |        |           |            |        |                  |            |        |         |            |        |         |            |       |         |            |       |         |            |       |         |            |       |         |            |       |         |            |       |                  |            |       |         |            |       |         |            |       |                  |            |       |         |            |       |         |            |       |                        |           |       |                        |           |       |                        |            |       |           |            |        |                     |           |        |                     |           |       |                           |           |       |                                |           |       |                           |           |       |                                      |           |       |                                      |           |       |                               |            |       |                      |            |  |   |  |       |                     |           |       |                     |           |       |          |           |       |                     |           |       |          |           |       |          |           |       |          |           |       |              |            |       |          |            |       |          |            |       |          |            |        |                           |           |       |                     |           |       |                     |           |       |                      |                 |       |                      |                 |       |                    |            |       |                      |            |  |     |  |       |                      |            |  |     |  |       |                   |            |       |                      |                 |  |       |  |       |                   |            |       |         |           |       |         |           |       |         |           |       |         |           |       |         |           |       |         |           |       |         |           |       |         |           |       |         |           |       |         |           |       |         |           |       |         |           |       |         |           |       |         |            |
| U4600  | SWI_TPS2042B_MSOP   | sync[8B6]       |  |         |           |       |         |           |       |         |            |       |         |            |       |         |            |       |         |            |       |         |            |       |         |            |       |         |            |       |         |            |       |         |            |       |         |            |       |         |            |       |         |            |       |         |            |       |         |            |       |         |            |       |         |            |        |         |           |       |                      |           |       |         |           |       |                    |           |       |                    |           |       |                   |           |       |                      |           |       |          |           |       |               |           |       |                     |            |       |         |           |       |              |            |        |          |            |        |          |            |        |          |            |        |          |            |        |          |            |        |          |            |        |          |            |        |          |            |        |          |            |        |          |            |        |          |            |        |           |            |        |                  |            |        |         |            |        |         |            |       |         |            |       |         |            |       |         |            |       |         |            |       |         |            |       |                  |            |       |         |            |       |         |            |       |                  |            |       |         |            |       |         |            |       |                        |           |       |                        |           |       |                        |            |       |           |            |        |                     |           |        |                     |           |       |                           |           |       |                                |           |       |                           |           |       |                                      |           |       |                                      |           |       |                               |            |       |                      |            |  |   |  |       |                     |           |       |                     |           |       |          |           |       |                     |           |       |          |           |       |          |           |       |          |           |       |              |            |       |          |            |       |          |            |       |          |            |        |                           |           |       |                     |           |       |                     |           |       |                      |                 |       |                      |                 |       |                    |            |       |                      |            |  |     |  |       |                      |            |  |     |  |       |                   |            |       |                      |                 |  |       |  |       |                   |            |       |         |           |       |         |           |       |         |           |       |         |           |       |         |           |       |         |           |       |         |           |       |         |           |       |         |           |       |         |           |       |         |           |       |         |           |       |         |           |       |         |            |
| U5801  | OPAMP_MAX4236EUTT_SO  | sync[9C5]       |  |         |           |       |         |           |       |         |            |       |         |            |       |         |            |       |         |            |       |         |            |       |         |            |       |         |            |       |         |            |       |         |            |       |         |            |       |         |            |       |         |            |       |         |            |       |         |            |       |         |            |       |         |            |        |         |           |       |                      |           |       |         |           |       |                    |           |       |                    |           |       |                   |           |       |                      |           |       |          |           |       |               |           |       |                     |            |       |         |           |       |              |            |        |          |            |        |          |            |        |          |            |        |          |            |        |          |            |        |          |            |        |          |            |        |          |            |        |          |            |        |          |            |        |          |            |        |           |            |        |                  |            |        |         |            |        |         |            |       |         |            |       |         |            |       |         |            |       |         |            |       |         |            |       |                  |            |       |         |            |       |         |            |       |                  |            |       |         |            |       |         |            |       |                        |           |       |                        |           |       |                        |            |       |           |            |        |                     |           |        |                     |           |       |                           |           |       |                                |           |       |                           |           |       |                                      |           |       |                                      |           |       |                               |            |       |                      |            |  |   |  |       |                     |           |       |                     |           |       |          |           |       |                     |           |       |          |           |       |          |           |       |          |           |       |              |            |       |          |            |       |          |            |       |          |            |        |                           |           |       |                     |           |       |                     |           |       |                      |                 |       |                      |                 |       |                    |            |       |                      |            |  |     |  |       |                      |            |  |     |  |       |                   |            |       |                      |                 |  |       |  |       |                   |            |       |         |           |       |         |           |       |         |           |       |         |           |       |         |           |       |         |           |       |         |           |       |         |           |       |         |           |       |         |           |       |         |           |       |         |           |       |         |           |       |         |            |
|        | T23-6-LF  |                 |  |         |           |       |         |           |       |         |            |       |         |            |       |         |            |       |         |            |       |         |            |       |         |            |       |         |            |       |         |            |       |         |            |       |         |            |       |         |            |       |         |            |       |         |            |       |         |            |       |         |            |       |         |            |        |         |           |       |                      |           |       |         |           |       |                    |           |       |                    |           |       |                   |           |       |                      |           |       |          |           |       |               |           |       |                     |            |       |         |           |       |              |            |        |          |            |        |          |            |        |          |            |        |          |            |        |          |            |        |          |            |        |          |            |        |          |            |        |          |            |        |          |            |        |          |            |        |           |            |        |                  |            |        |         |            |        |         |            |       |         |            |       |         |            |       |         |            |       |         |            |       |         |            |       |                  |            |       |         |            |       |         |            |       |                  |            |       |         |            |       |         |            |       |                        |           |       |                        |           |       |                        |            |       |           |            |        |                     |           |        |                     |           |       |                           |           |       |                                |           |       |                           |           |       |                                      |           |       |                                      |           |       |                               |            |       |                      |            |  |   |  |       |                     |           |       |                     |           |       |          |           |       |                     |           |       |          |           |       |          |           |       |          |           |       |              |            |       |          |            |       |          |            |       |          |            |        |                           |           |       |                     |           |       |                     |           |       |                      |                 |       |                      |                 |       |                    |            |       |                      |            |  |     |  |       |                      |            |  |     |  |       |                   |            |       |                      |                 |  |       |  |       |                   |            |       |         |           |       |         |           |       |         |           |       |         |           |       |         |           |       |         |           |       |         |           |       |         |           |       |         |           |       |         |           |       |         |           |       |         |           |       |         |           |       |         |            |
| U5802  | TMP106_WCSP-6   | sync[9B5]       |  |         |           |       |         |           |       |         |            |       |         |            |       |         |            |       |         |            |       |         |            |       |         |            |       |         |            |       |         |            |       |         |            |       |         |            |       |         |            |       |         |            |       |         |            |       |         |            |       |         |            |       |         |            |        |         |           |       |                      |           |       |         |           |       |                    |           |       |                    |           |       |                   |           |       |                      |           |       |          |           |       |               |           |       |                     |            |       |         |           |       |              |            |        |          |            |        |          |            |        |          |            |        |          |            |        |          |            |        |          |            |        |          |            |        |          |            |        |          |            |        |          |            |        |          |            |        |           |            |        |                  |            |        |         |            |        |         |            |       |         |            |       |         |            |       |         |            |       |         |            |       |         |            |       |                  |            |       |         |            |       |         |            |       |                  |            |       |         |            |       |         |            |       |                        |           |       |                        |           |       |                        |            |       |           |            |        |                     |           |        |                     |           |       |                           |           |       |                                |           |       |                           |           |       |                                      |           |       |                                      |           |       |                               |            |       |                      |            |  |   |  |       |                     |           |       |                     |           |       |          |           |       |                     |           |       |          |           |       |          |           |       |          |           |       |              |            |       |          |            |       |          |            |       |          |            |        |                           |           |       |                     |           |       |                     |           |       |                      |                 |       |                      |                 |       |                    |            |       |                      |            |  |     |  |       |                      |            |  |     |  |       |                   |            |       |                      |                 |  |       |  |       |                   |            |       |         |           |       |         |           |       |         |           |       |         |           |       |         |           |       |         |           |       |         |           |       |         |           |       |         |           |       |         |           |       |         |           |       |         |           |       |         |           |       |         |            |
| U6990  | COMPARTOR_LM397_SOT   | sync[10C4]      |  |         |           |       |         |           |       |         |            |       |         |            |       |         |            |       |         |            |       |         |            |       |         |            |       |         |            |       |         |            |       |         |            |       |         |            |       |         |            |       |         |            |       |         |            |       |         |            |       |         |            |       |         |            |        |         |           |       |                      |           |       |         |           |       |                    |           |       |                    |           |       |                   |           |       |                      |           |       |          |           |       |               |           |       |                     |            |       |         |           |       |              |            |        |          |            |        |          |            |        |          |            |        |          |            |        |          |            |        |          |            |        |          |            |        |          |            |        |          |            |        |          |            |        |          |            |        |           |            |        |                  |            |        |         |            |        |         |            |       |         |            |       |         |            |       |         |            |       |         |            |       |         |            |       |                  |            |       |         |            |       |         |            |       |                  |            |       |         |            |       |         |            |       |                        |           |       |                        |           |       |                        |            |       |           |            |        |                     |           |        |                     |           |       |                           |           |       |                                |           |       |                           |           |       |                                      |           |       |                                      |           |       |                               |            |       |                      |            |  |   |  |       |                     |           |       |                     |           |       |          |           |       |                     |           |       |          |           |       |          |           |       |          |           |       |              |            |       |          |            |       |          |            |       |          |            |        |                           |           |       |                     |           |       |                     |           |       |                      |                 |       |                      |                 |       |                    |            |       |                      |            |  |     |  |       |                      |            |  |     |  |       |                   |            |       |                      |                 |  |       |  |       |                   |            |       |         |           |       |         |           |       |         |           |       |         |           |       |         |           |       |         |           |       |         |           |       |         |           |       |         |           |       |         |           |       |         |           |       |         |           |       |         |           |       |         |            |
|        | 23-5  |                 |  |         |           |       |         |           |       |         |            |       |         |            |       |         |            |       |         |            |       |         |            |       |         |            |       |         |            |       |         |            |       |         |            |       |         |            |       |         |            |       |         |            |       |         |            |       |         |            |       |         |            |       |         |            |        |         |           |       |                      |           |       |         |           |       |                    |           |       |                    |           |       |                   |           |       |                      |           |       |          |           |       |               |           |       |                     |            |       |         |           |       |              |            |        |          |            |        |          |            |        |          |            |        |          |            |        |          |            |        |          |            |        |          |            |        |          |            |        |          |            |        |          |            |        |          |            |        |           |            |        |                  |            |        |         |            |        |         |            |       |         |            |       |         |            |       |         |            |       |         |            |       |         |            |       |                  |            |       |         |            |       |         |            |       |                  |            |       |         |            |       |         |            |       |                        |           |       |                        |           |       |                        |            |       |           |            |        |                     |           |        |                     |           |       |                           |           |       |                                |           |       |                           |           |       |                                      |           |       |                                      |           |       |                               |            |       |                      |            |  |   |  |       |                     |           |       |                     |           |       |          |           |       |                     |           |       |          |           |       |          |           |       |          |           |       |              |            |       |          |            |       |          |            |       |          |            |        |                           |           |       |                     |           |       |                     |           |       |                      |                 |       |                      |                 |       |                    |            |       |                      |            |  |     |  |       |                      |            |  |     |  |       |                   |            |       |                      |                 |  |       |  |       |                   |            |       |         |           |       |         |           |       |         |           |       |         |           |       |         |           |       |         |           |       |         |           |       |         |           |       |         |           |       |         |           |       |         |           |       |         |           |       |         |           |       |         |            |
| U7600  | TPS51120_ILP  | sync[11C6]      |  |         |           |       |         |           |       |         |            |       |         |            |       |         |            |       |         |            |       |         |            |       |         |            |       |         |            |       |         |            |       |         |            |       |         |            |       |         |            |       |         |            |       |         |            |       |         |            |       |         |            |       |         |            |        |         |           |       |                      |           |       |         |           |       |                    |           |       |                    |           |       |                   |           |       |                      |           |       |          |           |       |               |           |       |                     |            |       |         |           |       |              |            |        |          |            |        |          |            |        |          |            |        |          |            |        |          |            |        |          |            |        |          |            |        |          |            |        |          |            |        |          |            |        |          |            |        |           |            |        |                  |            |        |         |            |        |         |            |       |         |            |       |         |            |       |         |            |       |         |            |       |         |            |       |                  |            |       |         |            |       |         |            |       |                  |            |       |         |            |       |         |            |       |                        |           |       |                        |           |       |                        |            |       |           |            |        |                     |           |        |                     |           |       |                           |           |       |                                |           |       |                           |           |       |                                      |           |       |                                      |           |       |                               |            |       |                      |            |  |   |  |       |                     |           |       |                     |           |       |          |           |       |                     |           |       |          |           |       |          |           |       |          |           |       |              |            |       |          |            |       |          |            |       |          |            |        |                           |           |       |                     |           |       |                     |           |       |                      |                 |       |                      |                 |       |                    |            |       |                      |            |  |     |  |       |                      |            |  |     |  |       |                   |            |       |                      |                 |  |       |  |       |                   |            |       |         |           |       |         |           |       |         |           |       |         |           |       |         |           |       |         |           |       |         |           |       |         |           |       |         |           |       |         |           |       |         |           |       |         |           |       |         |           |       |         |            |
| XW7600 | SHORT_SM  | sync[11A4]      |  |         |           |       |         |           |       |         |            |       |         |            |       |         |            |       |         |            |       |         |            |       |         |            |       |         |            |       |         |            |       |         |            |       |         |            |       |         |            |       |         |            |       |         |            |       |         |            |       |         |            |       |         |            |        |         |           |       |                      |           |       |         |           |       |                    |           |       |                    |           |       |                   |           |       |                      |           |       |          |           |       |               |           |       |                     |            |       |         |           |       |              |            |        |          |            |        |          |            |        |          |            |        |          |            |        |          |            |        |          |            |        |          |            |        |          |            |        |          |            |        |          |            |        |          |            |        |           |            |        |                  |            |        |         |            |        |         |            |       |         |            |       |         |            |       |         |            |       |         |            |       |         |            |       |                  |            |       |         |            |       |         |            |       |                  |            |       |         |            |       |         |            |       |                        |           |       |                        |           |       |                        |            |       |           |            |        |                     |           |        |                     |           |       |                           |           |       |                                |           |       |                           |           |       |                                      |           |       |                                      |           |       |                               |            |       |                      |            |  |   |  |       |                     |           |       |                     |           |       |          |           |       |                     |           |       |          |           |       |          |           |       |          |           |       |              |            |       |          |            |       |          |            |       |          |            |        |                           |           |       |                     |           |       |                     |           |       |                      |                 |       |                      |                 |       |                    |            |       |                      |            |  |     |  |       |                      |            |  |     |  |       |                   |            |       |                      |                 |  |       |  |       |                   |            |       |         |           |       |         |           |       |         |           |       |         |           |       |         |           |       |         |           |       |         |           |       |         |           |       |         |           |       |         |           |       |         |           |       |         |           |       |         |           |       |         |            |
| XW7601 | SHORT_SM  | sync[11A7]      |  |         |           |       |         |           |       |         |            |       |         |            |       |         |            |       |         |            |       |         |            |       |         |            |       |         |            |       |         |            |       |         |            |       |         |            |       |         |            |       |         |            |       |         |            |       |         |            |       |         |            |       |         |            |        |         |           |       |                      |           |       |         |           |       |                    |           |       |                    |           |       |                   |           |       |                      |           |       |          |           |       |               |           |       |                     |            |       |         |           |       |              |            |        |          |            |        |          |            |        |          |            |        |          |            |        |          |            |        |          |            |        |          |            |        |          |            |        |          |            |        |          |            |        |          |            |        |           |            |        |                  |            |        |         |            |        |         |            |       |         |            |       |         |            |       |         |            |       |         |            |       |         |            |       |                  |            |       |         |            |       |         |            |       |                  |            |       |         |            |       |         |            |       |                        |           |       |                        |           |       |                        |            |       |           |            |        |                     |           |        |                     |           |       |                           |           |       |                                |           |       |                           |           |       |                                      |           |       |                                      |           |       |                               |            |       |                      |            |  |   |  |       |                     |           |       |                     |           |       |          |           |       |                     |           |       |          |           |       |          |           |       |          |           |       |              |            |       |          |            |       |          |            |       |          |            |        |                           |           |       |                     |           |       |                     |           |       |                      |                 |       |                      |                 |       |                    |            |       |                      |            |  |     |  |       |                      |            |  |     |  |       |                   |            |       |                      |                 |  |       |  |       |                   |            |       |         |           |       |         |           |       |         |           |       |         |           |       |         |           |       |         |           |       |         |           |       |         |           |       |         |           |       |         |           |       |         |           |       |         |           |       |         |           |       |         |            |
| XW7602 | SHORT_SM  | sync[11A7]      |  |         |           |       |         |           |       |         |            |       |         |            |       |         |            |       |         |            |       |         |            |       |         |            |       |         |            |       |         |            |       |         |            |       |         |            |       |         |            |       |         |            |       |         |            |       |         |            |       |         |            |       |         |            |        |         |           |       |                      |           |       |         |           |       |                    |           |       |                    |           |       |                   |           |       |                      |           |       |          |           |       |               |           |       |                     |            |       |         |           |       |              |            |        |          |            |        |          |            |        |          |            |        |          |            |        |          |            |        |          |            |        |          |            |        |          |            |        |          |            |        |          |            |        |          |            |        |           |            |        |                  |            |        |         |            |        |         |            |       |         |            |       |         |            |       |         |            |       |         |            |       |         |            |       |                  |            |       |         |            |       |         |            |       |                  |            |       |         |            |       |         |            |       |                        |           |       |                        |           |       |                        |            |       |           |            |        |                     |           |        |                     |           |       |                           |           |       |                                |           |       |                           |           |       |                                      |           |       |                                      |           |       |                               |            |       |                      |            |  |   |  |       |                     |           |       |                     |           |       |          |           |       |                     |           |       |          |           |       |          |           |       |          |           |       |              |            |       |          |            |       |          |            |       |          |            |        |                           |           |       |                     |           |       |                     |           |       |                      |                 |       |                      |                 |       |                    |            |       |                      |            |  |     |  |       |                      |            |  |     |  |       |                   |            |       |                      |                 |  |       |  |       |                   |            |       |         |           |       |         |           |       |         |           |       |         |           |       |         |           |       |         |           |       |         |           |       |         |           |       |         |           |       |         |           |       |         |           |       |         |           |       |         |           |       |         |            |
| XW7603 | SHORT_SM  | sync[11A7]      |  |         |           |       |         |           |       |         |            |       |         |            |       |         |            |       |         |            |       |         |            |       |         |            |       |         |            |       |         |            |       |         |            |       |         |            |       |         |            |       |         |            |       |         |            |       |         |            |       |         |            |       |         |            |        |         |           |       |                      |           |       |         |           |       |                    |           |       |                    |           |       |                   |           |       |                      |           |       |          |           |       |               |           |       |                     |            |       |         |           |       |              |            |        |          |            |        |          |            |        |          |            |        |          |            |        |          |            |        |          |            |        |          |            |        |          |            |        |          |            |        |          |            |        |          |            |        |           |            |        |                  |            |        |         |            |        |         |            |       |         |            |       |         |            |       |         |            |       |         |            |       |         |            |       |                  |            |       |         |            |       |         |            |       |                  |            |       |         |            |       |         |            |       |                        |           |       |                        |           |       |                        |            |       |           |            |        |                     |           |        |                     |           |       |                           |           |       |                                |           |       |                           |           |       |                                      |           |       |                                      |           |       |                               |            |       |                      |            |  |   |  |       |                     |           |       |                     |           |       |          |           |       |                     |           |       |          |           |       |          |           |       |          |           |       |              |            |       |          |            |       |          |            |       |          |            |        |                           |           |       |                     |           |       |                     |           |       |                      |                 |       |                      |                 |       |                    |            |       |                      |            |  |     |  |       |                      |            |  |     |  |       |                   |            |       |                      |                 |  |       |  |       |                   |            |       |         |           |       |         |           |       |         |           |       |         |           |       |         |           |       |         |           |       |         |           |       |         |           |       |         |           |       |         |           |       |         |           |       |         |           |       |         |           |       |         |            |
| XW7604 | SHORT_SM  | sync[11A7]      |  |         |           |       |         |           |       |         |            |       |         |            |       |         |            |       |         |            |       |         |            |       |         |            |       |         |            |       |         |            |       |         |            |       |         |            |       |         |            |       |         |            |       |         |            |       |         |            |       |         |            |       |         |            |        |         |           |       |                      |           |       |         |           |       |                    |           |       |                    |           |       |                   |           |       |                      |           |       |          |           |       |               |           |       |                     |            |       |         |           |       |              |            |        |          |            |        |          |            |        |          |            |        |          |            |        |          |            |        |          |            |        |          |            |        |          |            |        |          |            |        |          |            |        |          |            |        |           |            |        |                  |            |        |         |            |        |         |            |       |         |            |       |         |            |       |         |            |       |         |            |       |         |            |       |                  |            |       |         |            |       |         |            |       |                  |            |       |         |            |       |         |            |       |                        |           |       |                        |           |       |                        |            |       |           |            |        |                     |           |        |                     |           |       |                           |           |       |                                |           |       |                           |           |       |                                      |           |       |                                      |           |       |                               |            |       |                      |            |  |   |  |       |                     |           |       |                     |           |       |          |           |       |                     |           |       |          |           |       |          |           |       |          |           |       |              |            |       |          |            |       |          |            |       |          |            |        |                           |           |       |                     |           |       |                     |           |       |                      |                 |       |                      |                 |       |                    |            |       |                      |            |  |     |  |       |                      |            |  |     |  |       |                   |            |       |                      |                 |  |       |  |       |                   |            |       |         |           |       |         |           |       |         |           |       |         |           |       |         |           |       |         |           |       |         |           |       |         |           |       |         |           |       |         |           |       |         |           |       |         |           |       |         |           |       |         |            |
| XW7605 | SHORT_SM  | sync[11A7]      |  |         |           |       |         |           |       |         |            |       |         |            |       |         |            |       |         |            |       |         |            |       |         |            |       |         |            |       |         |            |       |         |            |       |         |            |       |         |            |       |         |            |       |         |            |       |         |            |       |         |            |       |         |            |        |         |           |       |                      |           |       |         |           |       |                    |           |       |                    |           |       |                   |           |       |                      |           |       |          |           |       |               |           |       |                     |            |       |         |           |       |              |            |        |          |            |        |          |            |        |          |            |        |          |            |        |          |            |        |          |            |        |          |            |        |          |            |        |          |            |        |          |            |        |          |            |        |           |            |        |                  |            |        |         |            |        |         |            |       |         |            |       |         |            |       |         |            |       |         |            |       |         |            |       |                  |            |       |         |            |       |         |            |       |                  |            |       |         |            |       |         |            |       |                        |           |       |                        |           |       |                        |            |       |           |            |        |                     |           |        |                     |           |       |                           |           |       |                                |           |       |                           |           |       |                                      |           |       |                                      |           |       |                               |            |       |                      |            |  |   |  |       |                     |           |       |                     |           |       |          |           |       |                     |           |       |          |           |       |          |           |       |          |           |       |              |            |       |          |            |       |          |            |       |          |            |        |                           |           |       |                     |           |       |                     |           |       |                      |                 |       |                      |                 |       |                    |            |       |                      |            |  |     |  |       |                      |            |  |     |  |       |                   |            |       |                      |                 |  |       |  |       |                   |            |       |         |           |       |         |           |       |         |           |       |         |           |       |         |           |       |         |           |       |         |           |       |         |           |       |         |           |       |         |           |       |         |           |       |         |           |       |         |           |       |         |            |
| XW7606 | SHORT_SM  | sync[11A7]      |  |         |           |       |         |           |       |         |            |       |         |            |       |         |            |       |         |            |       |         |            |       |         |            |       |         |            |       |         |            |       |         |            |       |         |            |       |         |            |       |         |            |       |         |            |       |         |            |       |         |            |       |         |            |        |         |           |       |                      |           |       |         |           |       |                    |           |       |                    |           |       |                   |           |       |                      |           |       |          |           |       |               |           |       |                     |            |       |         |           |       |              |            |        |          |            |        |          |            |        |          |            |        |          |            |        |          |            |        |          |            |        |          |            |        |          |            |        |          |            |        |          |            |        |          |            |        |           |            |        |                  |            |        |         |            |        |         |            |       |         |            |       |         |            |       |         |            |       |         |            |       |         |            |       |                  |            |       |         |            |       |         |            |       |                  |            |       |         |            |       |         |            |       |                        |           |       |                        |           |       |                        |            |       |           |            |        |                     |           |        |                     |           |       |                           |           |       |                                |           |       |                           |           |       |                                      |           |       |                                      |           |       |                               |            |       |                      |            |  |   |  |       |                     |           |       |                     |           |       |          |           |       |                     |           |       |          |           |       |          |           |       |          |           |       |              |            |       |          |            |       |          |            |       |          |            |        |                           |           |       |                     |           |       |                     |           |       |                      |                 |       |                      |                 |       |                    |            |       |                      |            |  |     |  |       |                      |            |  |     |  |       |                   |            |       |                      |                 |  |       |  |       |                   |            |       |         |           |       |         |           |       |         |           |       |         |           |       |         |           |       |         |           |       |         |           |       |         |           |       |         |           |       |         |           |       |         |           |       |         |           |       |         |           |       |         |            |
| XW7607 | SHORT_SM  | sync[11B6]      |  |         |           |       |         |           |       |         |            |       |         |            |       |         |            |       |         |            |       |         |            |       |         |            |       |         |            |       |         |            |       |         |            |       |         |            |       |         |            |       |         |            |       |         |            |       |         |            |       |         |            |       |         |            |        |         |           |       |                      |           |       |         |           |       |                    |           |       |                    |           |       |                   |           |       |                      |           |       |          |           |       |               |           |       |                     |            |       |         |           |       |              |            |        |          |            |        |          |            |        |          |            |        |          |            |        |          |            |        |          |            |        |          |            |        |          |            |        |          |            |        |          |            |        |          |            |        |           |            |        |                  |            |        |         |            |        |         |            |       |         |            |       |         |            |       |         |            |       |         |            |       |         |            |       |                  |            |       |         |            |       |         |            |       |                  |            |       |         |            |       |         |            |       |                        |           |       |                        |           |       |                        |            |       |           |            |        |                     |           |        |                     |           |       |                           |           |       |                                |           |       |                           |           |       |                                      |           |       |                                      |           |       |                               |            |       |                      |            |  |   |  |       |                     |           |       |                     |           |       |          |           |       |                     |           |       |          |           |       |          |           |       |          |           |       |              |            |       |          |            |       |          |            |       |          |            |        |                           |           |       |                     |           |       |                     |           |       |                      |                 |       |                      |                 |       |                    |            |       |                      |            |  |     |  |       |                      |            |  |     |  |       |                   |            |       |                      |                 |  |       |  |       |                   |            |       |         |           |       |         |           |       |         |           |       |         |           |       |         |           |       |         |           |       |         |           |       |         |           |       |         |           |       |         |           |       |         |           |       |         |           |       |         |           |       |         |            |
| XW7608 | SHORT_SM  | sync[11B6]      |  |         |           |       |         |           |       |         |            |       |         |            |       |         |            |       |         |            |       |         |            |       |         |            |       |         |            |       |         |            |       |         |            |       |         |            |       |         |            |       |         |            |       |         |            |       |         |            |       |         |            |       |         |            |        |         |           |       |                      |           |       |         |           |       |                    |           |       |                    |           |       |                   |           |       |                      |           |       |          |           |       |               |           |       |                     |            |       |         |           |       |              |            |        |          |            |        |          |            |        |          |            |        |          |            |        |          |            |        |          |            |        |          |            |        |          |            |        |          |            |        |          |            |        |          |            |        |           |            |        |                  |            |        |         |            |        |         |            |       |         |            |       |         |            |       |         |            |       |         |            |       |         |            |       |                  |            |       |         |            |       |         |            |       |                  |            |       |         |            |       |         |            |       |                        |           |       |                        |           |       |                        |            |       |           |            |        |                     |           |        |                     |           |       |                           |           |       |                                |           |       |                           |           |       |                                      |           |       |                                      |           |       |                               |            |       |                      |            |  |   |  |       |                     |           |       |                     |           |       |          |           |       |                     |           |       |          |           |       |          |           |       |          |           |       |              |            |       |          |            |       |          |            |       |          |            |        |                           |           |       |                     |           |       |                     |           |       |                      |                 |       |                      |                 |       |                    |            |       |                      |            |  |     |  |       |                      |            |  |     |  |       |                   |            |       |                      |                 |  |       |  |       |                   |            |       |         |           |       |         |           |       |         |           |       |         |           |       |         |           |       |         |           |       |         |           |       |         |           |       |         |           |       |         |           |       |         |           |       |         |           |       |         |           |       |         |            |
| XW7609 | SHORT_SM  | sync[11A2]      |  |         |           |       |         |           |       |         |            |       |         |            |       |         |            |       |         |            |       |         |            |       |         |            |       |         |            |       |         |            |       |         |            |       |         |            |       |         |            |       |         |            |       |         |            |       |         |            |       |         |            |       |         |            |        |         |           |       |                      |           |       |         |           |       |                    |           |       |                    |           |       |                   |           |       |                      |           |       |          |           |       |               |           |       |                     |            |       |         |           |       |              |            |        |          |            |        |          |            |        |          |            |        |          |            |        |          |            |        |          |            |        |          |            |        |          |            |        |          |            |        |          |            |        |          |            |        |           |            |        |                  |            |        |         |            |        |         |            |       |         |            |       |         |            |       |         |            |       |         |            |       |         |            |       |                  |            |       |         |            |       |         |            |       |                  |            |       |         |            |       |         |            |       |                        |           |       |                        |           |       |                        |            |       |           |            |        |                     |           |        |                     |           |       |                           |           |       |                                |           |       |                           |           |       |                                      |           |       |                                      |           |       |                               |            |       |                      |            |  |   |  |       |                     |           |       |                     |           |       |          |           |       |                     |           |       |          |           |       |          |           |       |          |           |       |              |            |       |          |            |       |          |            |       |          |            |        |                           |           |       |                     |           |       |                     |           |       |                      |                 |       |                      |                 |       |                    |            |       |                      |            |  |     |  |       |                      |            |  |     |  |       |                   |            |       |                      |                 |  |       |  |       |                   |            |       |         |           |       |         |           |       |         |           |       |         |           |       |         |           |       |         |           |       |         |           |       |         |           |       |         |           |       |         |           |       |         |           |       |         |           |       |         |           |       |         |            |
| XW7610 | SHORT_SM  | sync[11A2]      |  |         |           |       |         |           |       |         |            |       |         |            |       |         |            |       |         |            |       |         |            |       |         |            |       |         |            |       |         |            |       |         |            |       |         |            |       |         |            |       |         |            |       |         |            |       |         |            |       |         |            |       |         |            |        |         |           |       |                      |           |       |         |           |       |                    |           |       |                    |           |       |                   |           |       |                      |           |       |          |           |       |               |           |       |                     |            |       |         |           |       |              |            |        |          |            |        |          |            |        |          |            |        |          |            |        |          |            |        |          |            |        |          |            |        |          |            |        |          |            |        |          |            |        |          |            |        |           |            |        |                  |            |        |         |            |        |         |            |       |         |            |       |         |            |       |         |            |       |         |            |       |         |            |       |                  |            |       |         |            |       |         |            |       |                  |            |       |         |            |       |         |            |       |                        |           |       |                        |           |       |                        |            |       |           |            |        |                     |           |        |                     |           |       |                           |           |       |                                |           |       |                           |           |       |                                      |           |       |                                      |           |       |                               |            |       |                      |            |  |   |  |       |                     |           |       |                     |           |       |          |           |       |                     |           |       |          |           |       |          |           |       |          |           |       |              |            |       |          |            |       |          |            |       |          |            |        |                           |           |       |                     |           |       |                     |           |       |                      |                 |       |                      |                 |       |                    |            |       |                      |            |  |     |  |       |                      |            |  |     |  |       |                   |            |       |                      |                 |  |       |  |       |                   |            |       |         |           |       |         |           |       |         |           |       |         |           |       |         |           |       |         |           |       |         |           |       |         |           |       |         |           |       |         |           |       |         |           |       |         |           |       |         |           |       |         |            |
| ZH0801 | MTGHOLE   | sync[4A8]       |  |         |           |       |         |           |       |         |            |       |         |            |       |         |            |       |         |            |       |         |            |       |         |            |       |         |            |       |         |            |       |         |            |       |         |            |       |         |            |       |         |            |       |         |            |       |         |            |       |         |            |       |         |            |        |         |           |       |                      |           |       |         |           |       |                    |           |       |                    |           |       |                   |           |       |                      |           |       |          |           |       |               |           |       |                     |            |       |         |           |       |              |            |        |          |            |        |          |            |        |          |            |        |          |            |        |          |            |        |          |            |        |          |            |        |          |            |        |          |            |        |          |            |        |          |            |        |           |            |        |                  |            |        |         |            |        |         |            |       |         |            |       |         |            |       |         |            |       |         |            |       |         |            |       |                  |            |       |         |            |       |         |            |       |                  |            |       |         |            |       |         |            |       |                        |           |       |                        |           |       |                        |            |       |           |            |        |                     |           |        |                     |           |       |                           |           |       |                                |           |       |                           |           |       |                                      |           |       |                                      |           |       |                               |            |       |                      |            |  |   |  |       |                     |           |       |                     |           |       |          |           |       |                     |           |       |          |           |       |          |           |       |          |           |       |              |            |       |          |            |       |          |            |       |          |            |        |                           |           |       |                     |           |       |                     |           |       |                      |                 |       |                      |                 |       |                    |            |       |                      |            |  |     |  |       |                      |            |  |     |  |       |                   |            |       |                      |                 |  |       |  |       |                   |            |       |         |           |       |         |           |       |         |           |       |         |           |       |         |           |       |         |           |       |         |           |       |         |           |       |         |           |       |         |           |       |         |           |       |         |           |       |         |           |       |         |            |
| ZH0802 | MTGHOLE   | sync[4A8]       |  |         |           |       |         |           |       |         |            |       |         |            |       |         |            |       |         |            |       |         |            |       |         |            |       |         |            |       |         |            |       |         |            |       |         |            |       |         |            |       |         |            |       |         |            |       |         |            |       |         |            |       |         |            |        |         |           |       |                      |           |       |         |           |       |                    |           |       |                    |           |       |                   |           |       |                      |           |       |          |           |       |               |           |       |                     |            |       |         |           |       |              |            |        |          |            |        |          |            |        |          |            |        |          |            |        |          |            |        |          |            |        |          |            |        |          |            |        |          |            |        |          |            |        |          |            |        |           |            |        |                  |            |        |         |            |        |         |            |       |         |            |       |         |            |       |         |            |       |         |            |       |         |            |       |                  |            |       |         |            |       |         |            |       |                  |            |       |         |            |       |         |            |       |                        |           |       |                        |           |       |                        |            |       |           |            |        |                     |           |        |                     |           |       |                           |           |       |                                |           |       |                           |           |       |                                      |           |       |                                      |           |       |                               |            |       |                      |            |  |   |  |       |                     |           |       |                     |           |       |          |           |       |                     |           |       |          |           |       |          |           |       |          |           |       |              |            |       |          |            |       |          |            |       |          |            |        |                           |           |       |                     |           |       |                     |           |       |                      |                 |       |                      |                 |       |                    |            |       |                      |            |  |     |  |       |                      |            |  |     |  |       |                   |            |       |                      |                 |  |       |  |       |                   |            |       |         |           |       |         |           |       |         |           |       |         |           |       |         |           |       |         |           |       |         |           |       |         |           |       |         |           |       |         |           |       |         |           |       |         |           |       |         |           |       |         |            |
| ZH0803 | MTGHOLE   | sync[4A8]       |  |         |           |       |         |           |       |         |            |       |         |            |       |         |            |       |         |            |       |         |            |       |         |            |       |         |            |       |         |            |       |         |            |       |         |            |       |         |            |       |         |            |       |         |            |       |         |            |       |         |            |       |         |            |        |         |           |       |                      |           |       |         |           |       |                    |           |       |                    |           |       |                   |           |       |                      |           |       |          |           |       |               |           |       |                     |            |       |         |           |       |              |            |        |          |            |        |          |            |        |          |            |        |          |            |        |          |            |        |          |            |        |          |            |        |          |            |        |          |            |        |          |            |        |          |            |        |           |            |        |                  |            |        |         |            |        |         |            |       |         |            |       |         |            |       |         |            |       |         |            |       |         |            |       |                  |            |       |         |            |       |         |            |       |                  |            |       |         |            |       |         |            |       |                        |           |       |                        |           |       |                        |            |       |           |            |        |                     |           |        |                     |           |       |                           |           |       |                                |           |       |                           |           |       |                                      |           |       |                                      |           |       |                               |            |       |                      |            |  |   |  |       |                     |           |       |                     |           |       |          |           |       |                     |           |       |          |           |       |          |           |       |          |           |       |              |            |       |          |            |       |          |            |       |          |            |        |                           |           |       |                     |           |       |                     |           |       |                      |                 |       |                      |                 |       |                    |            |       |                      |            |  |     |  |       |                      |            |  |     |  |       |                   |            |       |                      |                 |  |       |  |       |                   |            |       |         |           |       |         |           |       |         |           |       |         |           |       |         |           |       |         |           |       |         |           |       |         |           |       |         |           |       |         |           |       |         |           |       |         |           |       |         |           |       |         |            |
| ZH0804 | MTGHOLE   | sync[4A8]       |  |         |           |       |         |           |       |         |            |       |         |            |       |         |            |       |         |            |       |         |            |       |         |            |       |         |            |       |         |            |       |         |            |       |         |            |       |         |            |       |         |            |       |         |            |       |         |            |       |         |            |       |         |            |        |         |           |       |                      |           |       |         |           |       |                    |           |       |                    |           |       |                   |           |       |                      |           |       |          |           |       |               |           |       |                     |            |       |         |           |       |              |            |        |          |            |        |          |            |        |          |            |        |          |            |        |          |            |        |          |            |        |          |            |        |          |            |        |          |            |        |          |            |        |          |            |        |           |            |        |                  |            |        |         |            |        |         |            |       |         |            |       |         |            |       |         |            |       |         |            |       |         |            |       |                  |            |       |         |            |       |         |            |       |                  |            |       |         |            |       |         |            |       |                        |           |       |                        |           |       |                        |            |       |           |            |        |                     |           |        |                     |           |       |                           |           |       |                                |           |       |                           |           |       |                                      |           |       |                                      |           |       |                               |            |       |                      |            |  |   |  |       |                     |           |       |                     |           |       |          |           |       |                     |           |       |          |           |       |          |           |       |          |           |       |              |            |       |          |            |       |          |            |       |          |            |        |                           |           |       |                     |           |       |                     |           |       |                      |                 |       |                      |                 |       |                    |            |       |                      |            |  |     |  |       |                      |            |  |     |  |       |                   |            |       |                      |                 |  |       |  |       |                   |            |       |         |           |       |         |           |       |         |           |       |         |           |       |         |           |       |         |           |       |         |           |       |         |           |       |         |           |       |         |           |       |         |           |       |         |           |       |         |           |       |         |            |
| C      | <table border="1"> <tr><td>C3400</td><td>CAP_402</td><td>sync[5C3]</td></tr> <tr><td>C3401</td><td>CAP_603</td><td>sync[5C3]</td></tr> <tr><td>C3410</td><td>CAP_402</td><td>sync[5C3]</td></tr> <tr><td>C3411</td><td>CAP_603</td><td>sync[5C3]</td></tr> <tr><td>C3420</td><td>CAP_402</td><td>sync[5C3]</td></tr> <tr><td>C3421</td><td>CAP_603</td><td>sync[5C3]</td></tr> <tr><td>C3500</td><td>CAP_402</td><td>sync[6C4]</td></tr> <tr><td>C3501</td><td>CAP_402</td><td>sync[6C4]</td></tr> <tr><td>C3502</td><td>CAP_402</td><td>sync[6C4]</td></tr> <tr><td>C3503</td><td>CAP_603</td><td>sync[6C4]</td></tr> <tr><td>C3504</td><td>CAP_603</td><td>sync[6C4]</td></tr> <tr><td>C3505</td><td>CAP_603</td><td>sync[6C4]</td></tr> <tr><td>C3530</td><td>CAP_402</td><td>sync[6C8]</td></tr> <tr><td>C3531</td><td>CAP_603</td><td>sync[6C7]</td></tr> <tr><td>C3534</td><td>CAP_402</td><td>sync[6C8]</td></tr> <tr><td>C3535</td><td>CAP_603</td><td>sync[6C7]</td></tr> <tr><td>C3550</td><td>CAP_402</td><td>sync[6A7]</td></tr> <tr><td>C3560</td><td>CAP_402</td><td>sync[6A3]</td></tr> <tr><td>C4600</td><td>CAP_603</td><td>sync[8B7]</td></tr> <tr><td>C4601</td><td>CAP_402</td><td>sync[8B7]</td></tr> <tr><td>C4602</td><td>CAP_603</td><td>sync[8B6]</td></tr> <tr><td>C4603</td><td>CAP_P_CASE-C2-SM</td><td>sync[8B5]</td></tr> <tr><td>C4612</td><td>CAP_603</td><td>sync[8C6]</td></tr> <tr><td>C4613</td><td>CAP_P_CASE-C2-SM</td><td>sync[8C5]</td></tr> <tr><td>C4650</td><td>CAP_603</td><td>sync[8B3]</td></tr> <tr><td>C4651</td><td>CAP_603</td><td>sync[8A3]</td></tr> <tr><td>C4660</td><td>CAP_603</td><td>sync[8D3]</td></tr> <tr><td>C4661</td><td>CAP_603</td><td>sync[8C3]</td></tr> <tr><td>C5801</td><td>CAP_402</td><td>sync[9C6]</td></tr> <tr><td>C5802</td><td>CAP_402</td><td>sync[9C5]</td></tr> <tr><td>C5803</td><td>CAP_402</td><td>sync[9D5]</td></tr> <tr><td>C5804</td><td>CAP_402</td><td>sync[9B5]</td></tr> <tr><td>C5805</td><td>CAP_402</td><td>sync[9A4]</td></tr> <tr><td>C6900</td><td>CAP_805</td><td>sync[10D7]</td></tr> <tr><td>C6901</td><td>CAP_805</td><td>sync[10D7]</td></tr> <tr><td>C6903</td><td>CAP_402</td><td>sync[10D7]</td></tr> <tr><td>C6904</td><td>CAP_603</td><td>sync[10D6]</td></tr> <tr><td>C6905</td><td>CAP_603</td><td>sync[10D4]</td></tr> <tr><td>C6906</td><td>CAP_402</td><td>sync[10C2]</td></tr> <tr><td>C6907</td><td>CAP_402</td><td>sync[10B1]</td></tr> <tr><td>C7600</td><td>CAP_603</td><td>sync[11D2]</td></tr> <tr><td>C7601</td><td>CAP_805-2</td><td>sync[11C2]</td></tr> <tr><td>C7602</td><td>CAP_P_CASE-C2-SM</td><td>sync[11C1]</td></tr> <tr><td>C7603</td><td>CAP_402</td><td>sync[11C3]</td></tr> <tr><td>C7610</td><td>CAP_402</td><td>sync[11A7]</td></tr> <tr><td>C7620</td><td>CAP_603</td><td>sync[11C6]</td></tr> <tr><td>C7621</td><td>CAP_402</td><td>sync[11C7]</td></tr> <tr><td>C7622</td><td>CAP_603</td><td>sync[11B5]</td></tr> <tr><td>C7623</td><td>CAP_603</td><td>sync[11B5]</td></tr> <tr><td>C7624</td><td>CAP_402</td><td>sync[11B5]</td></tr> <tr><td>C7625</td><td>CAP_P_CASE-D2-LF</td><td>sync[11D4]</td></tr> <tr><td>C7650</td><td>CAP_603</td><td>sync[11B2]</td></tr> <tr><td>C7651</td><td>CAP_603</td><td>sync[11B2]</td></tr> <tr><td>C7652</td><td>CAP_P_CASE-C2-SM</td><td>sync[11B1]</td></tr> <tr><td>C7653</td><td>CAP_402</td><td>sync[11B3]</td></tr> <tr><td>C7660</td><td>CAP_402</td><td>sync[11A3]</td></tr> <tr><td>D4600</td><td>DIODE_SCHOT_3P_A_SC-75</td><td>sync[8A3]</td></tr> <tr><td>D4610</td><td>DIODE_SCHOT_3P_A_SC-75</td><td>sync[8C4]</td></tr> <tr><td>D6900</td><td>DIODE_SCHOT_3P_A_SC-75</td><td>sync[10C7]</td></tr> <tr><td>F6900</td><td>FUSE_1206</td><td>sync[10D5]</td></tr> <tr><td>FL3600</td><td>FILTER_4P_1210-4SM1</td><td>sync[7C3]</td></tr> <tr><td>FL3601</td><td>FILTER_4P_1210-4SM1</td><td>sync[7B3]</td></tr> <tr><td>J3400</td><td>CON_F52RT_D2MT_SM_F-ST-SM</td><td>sync[5C5]</td></tr> <tr><td>J3500</td><td>CON_F26RT_S2MT_SM_M5_9_F-RT-SM</td><td>sync[6D2]</td></tr> <tr><td>J3600</td><td>CON_F80ST_D4MT_SM_F-ST-SM</td><td>sync[7C4]</td></tr> <tr><td>J4600</td><td>CON_F4RT_USB_S2MT_TH_F-RT-TH-USB-LFT</td><td>sync[8B2]</td></tr> <tr><td>J4610</td><td>CON_F4RT_USB_S2MT_TH_F-RT-TH-USB-LFT</td><td>sync[8C2]</td></tr> <tr><td>J6900</td><td>CON_F5RT_S2MT_TH3_F-RT-TH-MG3</td><td>sync[10D8]</td></tr> <tr><td>J9615</td><td>CON_M8RT_S_SM_M-RT-S</td><td>sync[12C5]</td></tr> <tr><td></td><td>M</td><td></td></tr> <tr><td>L3400</td><td>FILTER_4P_1210-4SM1</td><td>sync[5B2]</td></tr> <tr><td>L4600</td><td>FILTER_4P_1210-4SM1</td><td>sync[8B4]</td></tr> <tr><td>L4601</td><td>IND_0603</td><td>sync[8B4]</td></tr> <tr><td>L4610</td><td>FILTER_4P_1210-4SM1</td><td>sync[8C4]</td></tr> <tr><td>L4611</td><td>IND_0603</td><td>sync[8D4]</td></tr> <tr><td>L4650</td><td>IND_0603</td><td>sync[8A4]</td></tr> <tr><td>L4660</td><td>IND_0603</td><td>sync[8C4]</td></tr> <tr><td>L6900</td><td>FILTER_4P_SM</td><td>sync[10D6]</td></tr> <tr><td>L6901</td><td>IND_SM-1</td><td>sync[10D6]</td></tr> <tr><td>L7600</td><td>IND_IHLP</td><td>sync[11C2]</td></tr> <tr><td>L7650</td><td>IND_IHLP</td><td>sync[11B2]</td></tr> <tr><td>PDS801</td><td>PHOTODIODE_2P_TH-WTH-SPCR</td><td>sync[9C6]</td></tr> <tr><td>Q3560</td><td>TRA_2N7002_SOT23-LF</td><td>sync[6B3]</td></tr> <tr><td>Q5801</td><td>TRA_2N7002_SOT23-LF</td><td>sync[9C5]</td></tr> <tr><td>Q6900</td><td>TRA_2N7002DW_SOT-363</td><td>sync[10C1 10C3]</td></tr> <tr><td>Q6901</td><td>TRA_2N7002DW_SOT-363</td><td>sync[10C1 10C2]</td></tr> <tr><td>Q6909</td><td>TRA_TP0610_SOT23-3</td><td>sync[10D2]</td></tr> <tr><td>Q7600</td><td>TRA_FDM6296_MICROFET</td><td>sync[11C3]</td></tr> <tr><td></td><td>3X3</td><td></td></tr> <tr><td>Q7601</td><td>TRA_FDM6296_MICROFET</td><td>sync[11C3]</td></tr> <tr><td></td><td>3X3</td><td></td></tr> <tr><td>Q7610</td><td>TRA_IRF7707_TSSOP</td><td>sync[11A7]</td></tr> <tr><td>Q7650</td><td>TRA_S17212DN_PWRPK-1</td><td>sync[11B3 11B3]</td></tr> <tr><td></td><td>212-8</td><td></td></tr> <tr><td>Q7660</td><td>TRA_IRF7707_TSSOP</td><td>sync[11A3]</td></tr> <tr><td>R3500</td><td>RES_402</td><td>sync[6C6]</td></tr> <tr><td>R3560</td><td>RES_402</td><td>sync[6B3]</td></tr> <tr><td>R3561</td><td>RES_402</td><td>sync[6B3]</td></tr> <tr><td>R3570</td><td>RES_402</td><td>sync[6B2]</td></tr> <tr><td>R3571</td><td>RES_402</td><td>sync[6D3]</td></tr> <tr><td>R3600</td><td>RES_402</td><td>sync[7B4]</td></tr> <tr><td>R5801</td><td>RES_402</td><td>sync[9C6]</td></tr> <tr><td>R5802</td><td>RES_402</td><td>sync[9C6]</td></tr> <tr><td>R5803</td><td>RES_402</td><td>sync[9C5]</td></tr> <tr><td>R5804</td><td>RES_402</td><td>sync[9C5]</td></tr> <tr><td>R5805</td><td>RES_402</td><td>sync[9C5]</td></tr> <tr><td>R5806</td><td>RES_402</td><td>sync[9C4]</td></tr> <tr><td>R5807</td><td>RES_402</td><td>sync[9C4]</td></tr> <tr><td>R6900</td><td>RES_402</td><td>sync[10C2]</td></tr> </table> |                 | C3400  | CAP_402 | sync[5C3] | C3401 | CAP_603 | sync[5C3] | C3410 | CAP_402 | sync[5C3]  | C3411 | CAP_603 | sync[5C3]  | C3420 | CAP_402 | sync[5C3]  | C3421 | CAP_603 | sync[5C3]  | C3500 | CAP_402 | sync[6C4]  | C3501 | CAP_402 | sync[6C4]  | C3502 | CAP_402 | sync[6C4]  | C3503 | CAP_603 | sync[6C4]  | C3504 | CAP_603 | sync[6C4]  | C3505 | CAP_603 | sync[6C4]  | C3530 | CAP_402 | sync[6C8]  | C3531 | CAP_603 | sync[6C7]  | C3534 | CAP_402 | sync[6C8]  | C3535 | CAP_603 | sync[6C7]  | C3550 | CAP_402 | sync[6A7]  | C3560 | CAP_402 | sync[6A3]  | C4600  | CAP_603 | sync[8B7] | C4601 | CAP_402              | sync[8B7] | C4602 | CAP_603 | sync[8B6] | C4603 | CAP_P_CASE-C2-SM   | sync[8B5] | C4612 | CAP_603            | sync[8C6] | C4613 | CAP_P_CASE-C2-SM  | sync[8C5] | C4650 | CAP_603              | sync[8B3] | C4651 | CAP_603  | sync[8A3] | C4660 | CAP_603       | sync[8D3] | C4661 | CAP_603             | sync[8C3]  | C5801 | CAP_402 | sync[9C6] | C5802 | CAP_402      | sync[9C5]  | C5803  | CAP_402  | sync[9D5]  | C5804  | CAP_402  | sync[9B5]  | C5805  | CAP_402  | sync[9A4]  | C6900  | CAP_805  | sync[10D7] | C6901  | CAP_805  | sync[10D7] | C6903  | CAP_402  | sync[10D7] | C6904  | CAP_603  | sync[10D6] | C6905  | CAP_603  | sync[10D4] | C6906  | CAP_402  | sync[10C2] | C6907  | CAP_402  | sync[10B1] | C7600  | CAP_603  | sync[11D2] | C7601  | CAP_805-2 | sync[11C2] | C7602  | CAP_P_CASE-C2-SM | sync[11C1] | C7603  | CAP_402 | sync[11C3] | C7610  | CAP_402 | sync[11A7] | C7620 | CAP_603 | sync[11C6] | C7621 | CAP_402 | sync[11C7] | C7622 | CAP_603 | sync[11B5] | C7623 | CAP_603 | sync[11B5] | C7624 | CAP_402 | sync[11B5] | C7625 | CAP_P_CASE-D2-LF | sync[11D4] | C7650 | CAP_603 | sync[11B2] | C7651 | CAP_603 | sync[11B2] | C7652 | CAP_P_CASE-C2-SM | sync[11B1] | C7653 | CAP_402 | sync[11B3] | C7660 | CAP_402 | sync[11A3] | D4600 | DIODE_SCHOT_3P_A_SC-75 | sync[8A3] | D4610 | DIODE_SCHOT_3P_A_SC-75 | sync[8C4] | D6900 | DIODE_SCHOT_3P_A_SC-75 | sync[10C7] | F6900 | FUSE_1206 | sync[10D5] | FL3600 | FILTER_4P_1210-4SM1 | sync[7C3] | FL3601 | FILTER_4P_1210-4SM1 | sync[7B3] | J3400 | CON_F52RT_D2MT_SM_F-ST-SM | sync[5C5] | J3500 | CON_F26RT_S2MT_SM_M5_9_F-RT-SM | sync[6D2] | J3600 | CON_F80ST_D4MT_SM_F-ST-SM | sync[7C4] | J4600 | CON_F4RT_USB_S2MT_TH_F-RT-TH-USB-LFT | sync[8B2] | J4610 | CON_F4RT_USB_S2MT_TH_F-RT-TH-USB-LFT | sync[8C2] | J6900 | CON_F5RT_S2MT_TH3_F-RT-TH-MG3 | sync[10D8] | J9615 | CON_M8RT_S_SM_M-RT-S | sync[12C5] |  | M |  | L3400 | FILTER_4P_1210-4SM1 | sync[5B2] | L4600 | FILTER_4P_1210-4SM1 | sync[8B4] | L4601 | IND_0603 | sync[8B4] | L4610 | FILTER_4P_1210-4SM1 | sync[8C4] | L4611 | IND_0603 | sync[8D4] | L4650 | IND_0603 | sync[8A4] | L4660 | IND_0603 | sync[8C4] | L6900 | FILTER_4P_SM | sync[10D6] | L6901 | IND_SM-1 | sync[10D6] | L7600 | IND_IHLP | sync[11C2] | L7650 | IND_IHLP | sync[11B2] | PDS801 | PHOTODIODE_2P_TH-WTH-SPCR | sync[9C6] | Q3560 | TRA_2N7002_SOT23-LF | sync[6B3] | Q5801 | TRA_2N7002_SOT23-LF | sync[9C5] | Q6900 | TRA_2N7002DW_SOT-363 | sync[10C1 10C3] | Q6901 | TRA_2N7002DW_SOT-363 | sync[10C1 10C2] | Q6909 | TRA_TP0610_SOT23-3 | sync[10D2] | Q7600 | TRA_FDM6296_MICROFET | sync[11C3] |  | 3X3 |  | Q7601 | TRA_FDM6296_MICROFET | sync[11C3] |  | 3X3 |  | Q7610 | TRA_IRF7707_TSSOP | sync[11A7] | Q7650 | TRA_S17212DN_PWRPK-1 | sync[11B3 11B3] |  | 212-8 |  | Q7660 | TRA_IRF7707_TSSOP | sync[11A3] | R3500 | RES_402 | sync[6C6] | R3560 | RES_402 | sync[6B3] | R3561 | RES_402 | sync[6B3] | R3570 | RES_402 | sync[6B2] | R3571 | RES_402 | sync[6D3] | R3600 | RES_402 | sync[7B4] | R5801 | RES_402 | sync[9C6] | R5802 | RES_402 | sync[9C6] | R5803 | RES_402 | sync[9C5] | R5804 | RES_402 | sync[9C5] | R5805 | RES_402 | sync[9C5] | R5806 | RES_402 | sync[9C4] | R5807 | RES_402 | sync[9C4] | R6900 | RES_402 | sync[10C2] |
| C3400  | CAP_402   | sync[5C3]       |  |         |           |       |         |           |       |         |            |       |         |            |       |         |            |       |         |            |       |         |            |       |         |            |       |         |            |       |         |            |       |         |            |       |         |            |       |         |            |       |         |            |       |         |            |       |         |            |       |         |            |       |         |            |        |         |           |       |                      |           |       |         |           |       |                    |           |       |                    |           |       |                   |           |       |                      |           |       |          |           |       |               |           |       |                     |            |       |         |           |       |              |            |        |          |            |        |          |            |        |          |            |        |          |            |        |          |            |        |          |            |        |          |            |        |          |            |        |          |            |        |          |            |        |          |            |        |           |            |        |                  |            |        |         |            |        |         |            |       |         |            |       |         |            |       |         |            |       |         |            |       |         |            |       |                  |            |       |         |            |       |         |            |       |                  |            |       |         |            |       |         |            |       |                        |           |       |                        |           |       |                        |            |       |           |            |        |                     |           |        |                     |           |       |                           |           |       |                                |           |       |                           |           |       |                                      |           |       |                                      |           |       |                               |            |       |                      |            |  |   |  |       |                     |           |       |                     |           |       |          |           |       |                     |           |       |          |           |       |          |           |       |          |           |       |              |            |       |          |            |       |          |            |       |          |            |        |                           |           |       |                     |           |       |                     |           |       |                      |                 |       |                      |                 |       |                    |            |       |                      |            |  |     |  |       |                      |            |  |     |  |       |                   |            |       |                      |                 |  |       |  |       |                   |            |       |         |           |       |         |           |       |         |           |       |         |           |       |         |           |       |         |           |       |         |           |       |         |           |       |         |           |       |         |           |       |         |           |       |         |           |       |         |           |       |         |            |
| C3401  | CAP_603   | sync[5C3]       |  |         |           |       |         |           |       |         |            |       |         |            |       |         |            |       |         |            |       |         |            |       |         |            |       |         |            |       |         |            |       |         |            |       |         |            |       |         |            |       |         |            |       |         |            |       |         |            |       |         |            |       |         |            |        |         |           |       |                      |           |       |         |           |       |                    |           |       |                    |           |       |                   |           |       |                      |           |       |          |           |       |               |           |       |                     |            |       |         |           |       |              |            |        |          |            |        |          |            |        |          |            |        |          |            |        |          |            |        |          |            |        |          |            |        |          |            |        |          |            |        |          |            |        |          |            |        |           |            |        |                  |            |        |         |            |        |         |            |       |         |            |       |         |            |       |         |            |       |         |            |       |         |            |       |                  |            |       |         |            |       |         |            |       |                  |            |       |         |            |       |         |            |       |                        |           |       |                        |           |       |                        |            |       |           |            |        |                     |           |        |                     |           |       |                           |           |       |                                |           |       |                           |           |       |                                      |           |       |                                      |           |       |                               |            |       |                      |            |  |   |  |       |                     |           |       |                     |           |       |          |           |       |                     |           |       |          |           |       |          |           |       |          |           |       |              |            |       |          |            |       |          |            |       |          |            |        |                           |           |       |                     |           |       |                     |           |       |                      |                 |       |                      |                 |       |                    |            |       |                      |            |  |     |  |       |                      |            |  |     |  |       |                   |            |       |                      |                 |  |       |  |       |                   |            |       |         |           |       |         |           |       |         |           |       |         |           |       |         |           |       |         |           |       |         |           |       |         |           |       |         |           |       |         |           |       |         |           |       |         |           |       |         |           |       |         |            |
| C3410  | CAP_402   | sync[5C3]       |  |         |           |       |         |           |       |         |            |       |         |            |       |         |            |       |         |            |       |         |            |       |         |            |       |         |            |       |         |            |       |         |            |       |         |            |       |         |            |       |         |            |       |         |            |       |         |            |       |         |            |       |         |            |        |         |           |       |                      |           |       |         |           |       |                    |           |       |                    |           |       |                   |           |       |                      |           |       |          |           |       |               |           |       |                     |            |       |         |           |       |              |            |        |          |            |        |          |            |        |          |            |        |          |            |        |          |            |        |          |            |        |          |            |        |          |            |        |          |            |        |          |            |        |          |            |        |           |            |        |                  |            |        |         |            |        |         |            |       |         |            |       |         |            |       |         |            |       |         |            |       |         |            |       |                  |            |       |         |            |       |         |            |       |                  |            |       |         |            |       |         |            |       |                        |           |       |                        |           |       |                        |            |       |           |            |        |                     |           |        |                     |           |       |                           |           |       |                                |           |       |                           |           |       |                                      |           |       |                                      |           |       |                               |            |       |                      |            |  |   |  |       |                     |           |       |                     |           |       |          |           |       |                     |           |       |          |           |       |          |           |       |          |           |       |              |            |       |          |            |       |          |            |       |          |            |        |                           |           |       |                     |           |       |                     |           |       |                      |                 |       |                      |                 |       |                    |            |       |                      |            |  |     |  |       |                      |            |  |     |  |       |                   |            |       |                      |                 |  |       |  |       |                   |            |       |         |           |       |         |           |       |         |           |       |         |           |       |         |           |       |         |           |       |         |           |       |         |           |       |         |           |       |         |           |       |         |           |       |         |           |       |         |           |       |         |            |
| C3411  | CAP_603   | sync[5C3]       |  |         |           |       |         |           |       |         |            |       |         |            |       |         |            |       |         |            |       |         |            |       |         |            |       |         |            |       |         |            |       |         |            |       |         |            |       |         |            |       |         |            |       |         |            |       |         |            |       |         |            |       |         |            |        |         |           |       |                      |           |       |         |           |       |                    |           |       |                    |           |       |                   |           |       |                      |           |       |          |           |       |               |           |       |                     |            |       |         |           |       |              |            |        |          |            |        |          |            |        |          |            |        |          |            |        |          |            |        |          |            |        |          |            |        |          |            |        |          |            |        |          |            |        |          |            |        |           |            |        |                  |            |        |         |            |        |         |            |       |         |            |       |         |            |       |         |            |       |         |            |       |         |            |       |                  |            |       |         |            |       |         |            |       |                  |            |       |         |            |       |         |            |       |                        |           |       |                        |           |       |                        |            |       |           |            |        |                     |           |        |                     |           |       |                           |           |       |                                |           |       |                           |           |       |                                      |           |       |                                      |           |       |                               |            |       |                      |            |  |   |  |       |                     |           |       |                     |           |       |          |           |       |                     |           |       |          |           |       |          |           |       |          |           |       |              |            |       |          |            |       |          |            |       |          |            |        |                           |           |       |                     |           |       |                     |           |       |                      |                 |       |                      |                 |       |                    |            |       |                      |            |  |     |  |       |                      |            |  |     |  |       |                   |            |       |                      |                 |  |       |  |       |                   |            |       |         |           |       |         |           |       |         |           |       |         |           |       |         |           |       |         |           |       |         |           |       |         |           |       |         |           |       |         |           |       |         |           |       |         |           |       |         |           |       |         |            |
| C3420  | CAP_402   | sync[5C3]       |  |         |           |       |         |           |       |         |            |       |         |            |       |         |            |       |         |            |       |         |            |       |         |            |       |         |            |       |         |            |       |         |            |       |         |            |       |         |            |       |         |            |       |         |            |       |         |            |       |         |            |       |         |            |        |         |           |       |                      |           |       |         |           |       |                    |           |       |                    |           |       |                   |           |       |                      |           |       |          |           |       |               |           |       |                     |            |       |         |           |       |              |            |        |          |            |        |          |            |        |          |            |        |          |            |        |          |            |        |          |            |        |          |            |        |          |            |        |          |            |        |          |            |        |          |            |        |           |            |        |                  |            |        |         |            |        |         |            |       |         |            |       |         |            |       |         |            |       |         |            |       |         |            |       |                  |            |       |         |            |       |         |            |       |                  |            |       |         |            |       |         |            |       |                        |           |       |                        |           |       |                        |            |       |           |            |        |                     |           |        |                     |           |       |                           |           |       |                                |           |       |                           |           |       |                                      |           |       |                                      |           |       |                               |            |       |                      |            |  |   |  |       |                     |           |       |                     |           |       |          |           |       |                     |           |       |          |           |       |          |           |       |          |           |       |              |            |       |          |            |       |          |            |       |          |            |        |                           |           |       |                     |           |       |                     |           |       |                      |                 |       |                      |                 |       |                    |            |       |                      |            |  |     |  |       |                      |            |  |     |  |       |                   |            |       |                      |                 |  |       |  |       |                   |            |       |         |           |       |         |           |       |         |           |       |         |           |       |         |           |       |         |           |       |         |           |       |         |           |       |         |           |       |         |           |       |         |           |       |         |           |       |         |           |       |         |            |
| C3421  | CAP_603   | sync[5C3]       |  |         |           |       |         |           |       |         |            |       |         |            |       |         |            |       |         |            |       |         |            |       |         |            |       |         |            |       |         |            |       |         |            |       |         |            |       |         |            |       |         |            |       |         |            |       |         |            |       |         |            |       |         |            |        |         |           |       |                      |           |       |         |           |       |                    |           |       |                    |           |       |                   |           |       |                      |           |       |          |           |       |               |           |       |                     |            |       |         |           |       |              |            |        |          |            |        |          |            |        |          |            |        |          |            |        |          |            |        |          |            |        |          |            |        |          |            |        |          |            |        |          |            |        |          |            |        |           |            |        |                  |            |        |         |            |        |         |            |       |         |            |       |         |            |       |         |            |       |         |            |       |         |            |       |                  |            |       |         |            |       |         |            |       |                  |            |       |         |            |       |         |            |       |                        |           |       |                        |           |       |                        |            |       |           |            |        |                     |           |        |                     |           |       |                           |           |       |                                |           |       |                           |           |       |                                      |           |       |                                      |           |       |                               |            |       |                      |            |  |   |  |       |                     |           |       |                     |           |       |          |           |       |                     |           |       |          |           |       |          |           |       |          |           |       |              |            |       |          |            |       |          |            |       |          |            |        |                           |           |       |                     |           |       |                     |           |       |                      |                 |       |                      |                 |       |                    |            |       |                      |            |  |     |  |       |                      |            |  |     |  |       |                   |            |       |                      |                 |  |       |  |       |                   |            |       |         |           |       |         |           |       |         |           |       |         |           |       |         |           |       |         |           |       |         |           |       |         |           |       |         |           |       |         |           |       |         |           |       |         |           |       |         |           |       |         |            |
| C3500  | CAP_402   | sync[6C4]       |  |         |           |       |         |           |       |         |            |       |         |            |       |         |            |       |         |            |       |         |            |       |         |            |       |         |            |       |         |            |       |         |            |       |         |            |       |         |            |       |         |            |       |         |            |       |         |            |       |         |            |       |         |            |        |         |           |       |                      |           |       |         |           |       |                    |           |       |                    |           |       |                   |           |       |                      |           |       |          |           |       |               |           |       |                     |            |       |         |           |       |              |            |        |          |            |        |          |            |        |          |            |        |          |            |        |          |            |        |          |            |        |          |            |        |          |            |        |          |            |        |          |            |        |          |            |        |           |            |        |                  |            |        |         |            |        |         |            |       |         |            |       |         |            |       |         |            |       |         |            |       |         |            |       |                  |            |       |         |            |       |         |            |       |                  |            |       |         |            |       |         |            |       |                        |           |       |                        |           |       |                        |            |       |           |            |        |                     |           |        |                     |           |       |                           |           |       |                                |           |       |                           |           |       |                                      |           |       |                                      |           |       |                               |            |       |                      |            |  |   |  |       |                     |           |       |                     |           |       |          |           |       |                     |           |       |          |           |       |          |           |       |          |           |       |              |            |       |          |            |       |          |            |       |          |            |        |                           |           |       |                     |           |       |                     |           |       |                      |                 |       |                      |                 |       |                    |            |       |                      |            |  |     |  |       |                      |            |  |     |  |       |                   |            |       |                      |                 |  |       |  |       |                   |            |       |         |           |       |         |           |       |         |           |       |         |           |       |         |           |       |         |           |       |         |           |       |         |           |       |         |           |       |         |           |       |         |           |       |         |           |       |         |           |       |         |            |
| C3501  | CAP_402   | sync[6C4]       |  |         |           |       |         |           |       |         |            |       |         |            |       |         |            |       |         |            |       |         |            |       |         |            |       |         |            |       |         |            |       |         |            |       |         |            |       |         |            |       |         |            |       |         |            |       |         |            |       |         |            |       |         |            |        |         |           |       |                      |           |       |         |           |       |                    |           |       |                    |           |       |                   |           |       |                      |           |       |          |           |       |               |           |       |                     |            |       |         |           |       |              |            |        |          |            |        |          |            |        |          |            |        |          |            |        |          |            |        |          |            |        |          |            |        |          |            |        |          |            |        |          |            |        |          |            |        |           |            |        |                  |            |        |         |            |        |         |            |       |         |            |       |         |            |       |         |            |       |         |            |       |         |            |       |                  |            |       |         |            |       |         |            |       |                  |            |       |         |            |       |         |            |       |                        |           |       |                        |           |       |                        |            |       |           |            |        |                     |           |        |                     |           |       |                           |           |       |                                |           |       |                           |           |       |                                      |           |       |                                      |           |       |                               |            |       |                      |            |  |   |  |       |                     |           |       |                     |           |       |          |           |       |                     |           |       |          |           |       |          |           |       |          |           |       |              |            |       |          |            |       |          |            |       |          |            |        |                           |           |       |                     |           |       |                     |           |       |                      |                 |       |                      |                 |       |                    |            |       |                      |            |  |     |  |       |                      |            |  |     |  |       |                   |            |       |                      |                 |  |       |  |       |                   |            |       |         |           |       |         |           |       |         |           |       |         |           |       |         |           |       |         |           |       |         |           |       |         |           |       |         |           |       |         |           |       |         |           |       |         |           |       |         |           |       |         |            |
| C3502  | CAP_402   | sync[6C4]       |  |         |           |       |         |           |       |         |            |       |         |            |       |         |            |       |         |            |       |         |            |       |         |            |       |         |            |       |         |            |       |         |            |       |         |            |       |         |            |       |         |            |       |         |            |       |         |            |       |         |            |       |         |            |        |         |           |       |                      |           |       |         |           |       |                    |           |       |                    |           |       |                   |           |       |                      |           |       |          |           |       |               |           |       |                     |            |       |         |           |       |              |            |        |          |            |        |          |            |        |          |            |        |          |            |        |          |            |        |          |            |        |          |            |        |          |            |        |          |            |        |          |            |        |          |            |        |           |            |        |                  |            |        |         |            |        |         |            |       |         |            |       |         |            |       |         |            |       |         |            |       |         |            |       |                  |            |       |         |            |       |         |            |       |                  |            |       |         |            |       |         |            |       |                        |           |       |                        |           |       |                        |            |       |           |            |        |                     |           |        |                     |           |       |                           |           |       |                                |           |       |                           |           |       |                                      |           |       |                                      |           |       |                               |            |       |                      |            |  |   |  |       |                     |           |       |                     |           |       |          |           |       |                     |           |       |          |           |       |          |           |       |          |           |       |              |            |       |          |            |       |          |            |       |          |            |        |                           |           |       |                     |           |       |                     |           |       |                      |                 |       |                      |                 |       |                    |            |       |                      |            |  |     |  |       |                      |            |  |     |  |       |                   |            |       |                      |                 |  |       |  |       |                   |            |       |         |           |       |         |           |       |         |           |       |         |           |       |         |           |       |         |           |       |         |           |       |         |           |       |         |           |       |         |           |       |         |           |       |         |           |       |         |           |       |         |            |
| C3503  | CAP_603   | sync[6C4]       |  |         |           |       |         |           |       |         |            |       |         |            |       |         |            |       |         |            |       |         |            |       |         |            |       |         |            |       |         |            |       |         |            |       |         |            |       |         |            |       |         |            |       |         |            |       |         |            |       |         |            |       |         |            |        |         |           |       |                      |           |       |         |           |       |                    |           |       |                    |           |       |                   |           |       |                      |           |       |          |           |       |               |           |       |                     |            |       |         |           |       |              |            |        |          |            |        |          |            |        |          |            |        |          |            |        |          |            |        |          |            |        |          |            |        |          |            |        |          |            |        |          |            |        |          |            |        |           |            |        |                  |            |        |         |            |        |         |            |       |         |            |       |         |            |       |         |            |       |         |            |       |         |            |       |                  |            |       |         |            |       |         |            |       |                  |            |       |         |            |       |         |            |       |                        |           |       |                        |           |       |                        |            |       |           |            |        |                     |           |        |                     |           |       |                           |           |       |                                |           |       |                           |           |       |                                      |           |       |                                      |           |       |                               |            |       |                      |            |  |   |  |       |                     |           |       |                     |           |       |          |           |       |                     |           |       |          |           |       |          |           |       |          |           |       |              |            |       |          |            |       |          |            |       |          |            |        |                           |           |       |                     |           |       |                     |           |       |                      |                 |       |                      |                 |       |                    |            |       |                      |            |  |     |  |       |                      |            |  |     |  |       |                   |            |       |                      |                 |  |       |  |       |                   |            |       |         |           |       |         |           |       |         |           |       |         |           |       |         |           |       |         |           |       |         |           |       |         |           |       |         |           |       |         |           |       |         |           |       |         |           |       |         |           |       |         |            |
| C3504  | CAP_603   | sync[6C4]       |  |         |           |       |         |           |       |         |            |       |         |            |       |         |            |       |         |            |       |         |            |       |         |            |       |         |            |       |         |            |       |         |            |       |         |            |       |         |            |       |         |            |       |         |            |       |         |            |       |         |            |       |         |            |        |         |           |       |                      |           |       |         |           |       |                    |           |       |                    |           |       |                   |           |       |                      |           |       |          |           |       |               |           |       |                     |            |       |         |           |       |              |            |        |          |            |        |          |            |        |          |            |        |          |            |        |          |            |        |          |            |        |          |            |        |          |            |        |          |            |        |          |            |        |          |            |        |           |            |        |                  |            |        |         |            |        |         |            |       |         |            |       |         |            |       |         |            |       |         |            |       |         |            |       |                  |            |       |         |            |       |         |            |       |                  |            |       |         |            |       |         |            |       |                        |           |       |                        |           |       |                        |            |       |           |            |        |                     |           |        |                     |           |       |                           |           |       |                                |           |       |                           |           |       |                                      |           |       |                                      |           |       |                               |            |       |                      |            |  |   |  |       |                     |           |       |                     |           |       |          |           |       |                     |           |       |          |           |       |          |           |       |          |           |       |              |            |       |          |            |       |          |            |       |          |            |        |                           |           |       |                     |           |       |                     |           |       |                      |                 |       |                      |                 |       |                    |            |       |                      |            |  |     |  |       |                      |            |  |     |  |       |                   |            |       |                      |                 |  |       |  |       |                   |            |       |         |           |       |         |           |       |         |           |       |         |           |       |         |           |       |         |           |       |         |           |       |         |           |       |         |           |       |         |           |       |         |           |       |         |           |       |         |           |       |         |            |
| C3505  | CAP_603   | sync[6C4]       |  |         |           |       |         |           |       |         |            |       |         |            |       |         |            |       |         |            |       |         |            |       |         |            |       |         |            |       |         |            |       |         |            |       |         |            |       |         |            |       |         |            |       |         |            |       |         |            |       |         |            |       |         |            |        |         |           |       |                      |           |       |         |           |       |                    |           |       |                    |           |       |                   |           |       |                      |           |       |          |           |       |               |           |       |                     |            |       |         |           |       |              |            |        |          |            |        |          |            |        |          |            |        |          |            |        |          |            |        |          |            |        |          |            |        |          |            |        |          |            |        |          |            |        |          |            |        |           |            |        |                  |            |        |         |            |        |         |            |       |         |            |       |         |            |       |         |            |       |         |            |       |         |            |       |                  |            |       |         |            |       |         |            |       |                  |            |       |         |            |       |         |            |       |                        |           |       |                        |           |       |                        |            |       |           |            |        |                     |           |        |                     |           |       |                           |           |       |                                |           |       |                           |           |       |                                      |           |       |                                      |           |       |                               |            |       |                      |            |  |   |  |       |                     |           |       |                     |           |       |          |           |       |                     |           |       |          |           |       |          |           |       |          |           |       |              |            |       |          |            |       |          |            |       |          |            |        |                           |           |       |                     |           |       |                     |           |       |                      |                 |       |                      |                 |       |                    |            |       |                      |            |  |     |  |       |                      |            |  |     |  |       |                   |            |       |                      |                 |  |       |  |       |                   |            |       |         |           |       |         |           |       |         |           |       |         |           |       |         |           |       |         |           |       |         |           |       |         |           |       |         |           |       |         |           |       |         |           |       |         |           |       |         |           |       |         |            |
| C3530  | CAP_402   | sync[6C8]       |  |         |           |       |         |           |       |         |            |       |         |            |       |         |            |       |         |            |       |         |            |       |         |            |       |         |            |       |         |            |       |         |            |       |         |            |       |         |            |       |         |            |       |         |            |       |         |            |       |         |            |       |         |            |        |         |           |       |                      |           |       |         |           |       |                    |           |       |                    |           |       |                   |           |       |                      |           |       |          |           |       |               |           |       |                     |            |       |         |           |       |              |            |        |          |            |        |          |            |        |          |            |        |          |            |        |          |            |        |          |            |        |          |            |        |          |            |        |          |            |        |          |            |        |          |            |        |           |            |        |                  |            |        |         |            |        |         |            |       |         |            |       |         |            |       |         |            |       |         |            |       |         |            |       |                  |            |       |         |            |       |         |            |       |                  |            |       |         |            |       |         |            |       |                        |           |       |                        |           |       |                        |            |       |           |            |        |                     |           |        |                     |           |       |                           |           |       |                                |           |       |                           |           |       |                                      |           |       |                                      |           |       |                               |            |       |                      |            |  |   |  |       |                     |           |       |                     |           |       |          |           |       |                     |           |       |          |           |       |          |           |       |          |           |       |              |            |       |          |            |       |          |            |       |          |            |        |                           |           |       |                     |           |       |                     |           |       |                      |                 |       |                      |                 |       |                    |            |       |                      |            |  |     |  |       |                      |            |  |     |  |       |                   |            |       |                      |                 |  |       |  |       |                   |            |       |         |           |       |         |           |       |         |           |       |         |           |       |         |           |       |         |           |       |         |           |       |         |           |       |         |           |       |         |           |       |         |           |       |         |           |       |         |           |       |         |            |
| C3531  | CAP_603   | sync[6C7]       |  |         |           |       |         |           |       |         |            |       |         |            |       |         |            |       |         |            |       |         |            |       |         |            |       |         |            |       |         |            |       |         |            |       |         |            |       |         |            |       |         |            |       |         |            |       |         |            |       |         |            |       |         |            |        |         |           |       |                      |           |       |         |           |       |                    |           |       |                    |           |       |                   |           |       |                      |           |       |          |           |       |               |           |       |                     |            |       |         |           |       |              |            |        |          |            |        |          |            |        |          |            |        |          |            |        |          |            |        |          |            |        |          |            |        |          |            |        |          |            |        |          |            |        |          |            |        |           |            |        |                  |            |        |         |            |        |         |            |       |         |            |       |         |            |       |         |            |       |         |            |       |         |            |       |                  |            |       |         |            |       |         |            |       |                  |            |       |         |            |       |         |            |       |                        |           |       |                        |           |       |                        |            |       |           |            |        |                     |           |        |                     |           |       |                           |           |       |                                |           |       |                           |           |       |                                      |           |       |                                      |           |       |                               |            |       |                      |            |  |   |  |       |                     |           |       |                     |           |       |          |           |       |                     |           |       |          |           |       |          |           |       |          |           |       |              |            |       |          |            |       |          |            |       |          |            |        |                           |           |       |                     |           |       |                     |           |       |                      |                 |       |                      |                 |       |                    |            |       |                      |            |  |     |  |       |                      |            |  |     |  |       |                   |            |       |                      |                 |  |       |  |       |                   |            |       |         |           |       |         |           |       |         |           |       |         |           |       |         |           |       |         |           |       |         |           |       |         |           |       |         |           |       |         |           |       |         |           |       |         |           |       |         |           |       |         |            |
| C3534  | CAP_402   | sync[6C8]       |  |         |           |       |         |           |       |         |            |       |         |            |       |         |            |       |         |            |       |         |            |       |         |            |       |         |            |       |         |            |       |         |            |       |         |            |       |         |            |       |         |            |       |         |            |       |         |            |       |         |            |       |         |            |        |         |           |       |                      |           |       |         |           |       |                    |           |       |                    |           |       |                   |           |       |                      |           |       |          |           |       |               |           |       |                     |            |       |         |           |       |              |            |        |          |            |        |          |            |        |          |            |        |          |            |        |          |            |        |          |            |        |          |            |        |          |            |        |          |            |        |          |            |        |          |            |        |           |            |        |                  |            |        |         |            |        |         |            |       |         |            |       |         |            |       |         |            |       |         |            |       |         |            |       |                  |            |       |         |            |       |         |            |       |                  |            |       |         |            |       |         |            |       |                        |           |       |                        |           |       |                        |            |       |           |            |        |                     |           |        |                     |           |       |                           |           |       |                                |           |       |                           |           |       |                                      |           |       |                                      |           |       |                               |            |       |                      |            |  |   |  |       |                     |           |       |                     |           |       |          |           |       |                     |           |       |          |           |       |          |           |       |          |           |       |              |            |       |          |            |       |          |            |       |          |            |        |                           |           |       |                     |           |       |                     |           |       |                      |                 |       |                      |                 |       |                    |            |       |                      |            |  |     |  |       |                      |            |  |     |  |       |                   |            |       |                      |                 |  |       |  |       |                   |            |       |         |           |       |         |           |       |         |           |       |         |           |       |         |           |       |         |           |       |         |           |       |         |           |       |         |           |       |         |           |       |         |           |       |         |           |       |         |           |       |         |            |
| C3535  | CAP_603   | sync[6C7]       |  |         |           |       |         |           |       |         |            |       |         |            |       |         |            |       |         |            |       |         |            |       |         |            |       |         |            |       |         |            |       |         |            |       |         |            |       |         |            |       |         |            |       |         |            |       |         |            |       |         |            |       |         |            |        |         |           |       |                      |           |       |         |           |       |                    |           |       |                    |           |       |                   |           |       |                      |           |       |          |           |       |               |           |       |                     |            |       |         |           |       |              |            |        |          |            |        |          |            |        |          |            |        |          |            |        |          |            |        |          |            |        |          |            |        |          |            |        |          |            |        |          |            |        |          |            |        |           |            |        |                  |            |        |         |            |        |         |            |       |         |            |       |         |            |       |         |            |       |         |            |       |         |            |       |                  |            |       |         |            |       |         |            |       |                  |            |       |         |            |       |         |            |       |                        |           |       |                        |           |       |                        |            |       |           |            |        |                     |           |        |                     |           |       |                           |           |       |                                |           |       |                           |           |       |                                      |           |       |                                      |           |       |                               |            |       |                      |            |  |   |  |       |                     |           |       |                     |           |       |          |           |       |                     |           |       |          |           |       |          |           |       |          |           |       |              |            |       |          |            |       |          |            |       |          |            |        |                           |           |       |                     |           |       |                     |           |       |                      |                 |       |                      |                 |       |                    |            |       |                      |            |  |     |  |       |                      |            |  |     |  |       |                   |            |       |                      |                 |  |       |  |       |                   |            |       |         |           |       |         |           |       |         |           |       |         |           |       |         |           |       |         |           |       |         |           |       |         |           |       |         |           |       |         |           |       |         |           |       |         |           |       |         |           |       |         |            |
| C3550  | CAP_402   | sync[6A7]       |  |         |           |       |         |           |       |         |            |       |         |            |       |         |            |       |         |            |       |         |            |       |         |            |       |         |            |       |         |            |       |         |            |       |         |            |       |         |            |       |         |            |       |         |            |       |         |            |       |         |            |       |         |            |        |         |           |       |                      |           |       |         |           |       |                    |           |       |                    |           |       |                   |           |       |                      |           |       |          |           |       |               |           |       |                     |            |       |         |           |       |              |            |        |          |            |        |          |            |        |          |            |        |          |            |        |          |            |        |          |            |        |          |            |        |          |            |        |          |            |        |          |            |        |          |            |        |           |            |        |                  |            |        |         |            |        |         |            |       |         |            |       |         |            |       |         |            |       |         |            |       |         |            |       |                  |            |       |         |            |       |         |            |       |                  |            |       |         |            |       |         |            |       |                        |           |       |                        |           |       |                        |            |       |           |            |        |                     |           |        |                     |           |       |                           |           |       |                                |           |       |                           |           |       |                                      |           |       |                                      |           |       |                               |            |       |                      |            |  |   |  |       |                     |           |       |                     |           |       |          |           |       |                     |           |       |          |           |       |          |           |       |          |           |       |              |            |       |          |            |       |          |            |       |          |            |        |                           |           |       |                     |           |       |                     |           |       |                      |                 |       |                      |                 |       |                    |            |       |                      |            |  |     |  |       |                      |            |  |     |  |       |                   |            |       |                      |                 |  |       |  |       |                   |            |       |         |           |       |         |           |       |         |           |       |         |           |       |         |           |       |         |           |       |         |           |       |         |           |       |         |           |       |         |           |       |         |           |       |         |           |       |         |           |       |         |            |
| C3560  | CAP_402   | sync[6A3]       |  |         |           |       |         |           |       |         |            |       |         |            |       |         |            |       |         |            |       |         |            |       |         |            |       |         |            |       |         |            |       |         |            |       |         |            |       |         |            |       |         |            |       |         |            |       |         |            |       |         |            |       |         |            |        |         |           |       |                      |           |       |         |           |       |                    |           |       |                    |           |       |                   |           |       |                      |           |       |          |           |       |               |           |       |                     |            |       |         |           |       |              |            |        |          |            |        |          |            |        |          |            |        |          |            |        |          |            |        |          |            |        |          |            |        |          |            |        |          |            |        |          |            |        |          |            |        |           |            |        |                  |            |        |         |            |        |         |            |       |         |            |       |         |            |       |         |            |       |         |            |       |         |            |       |                  |            |       |         |            |       |         |            |       |                  |            |       |         |            |       |         |            |       |                        |           |       |                        |           |       |                        |            |       |           |            |        |                     |           |        |                     |           |       |                           |           |       |                                |           |       |                           |           |       |                                      |           |       |                                      |           |       |                               |            |       |                      |            |  |   |  |       |                     |           |       |                     |           |       |          |           |       |                     |           |       |          |           |       |          |           |       |          |           |       |              |            |       |          |            |       |          |            |       |          |            |        |                           |           |       |                     |           |       |                     |           |       |                      |                 |       |                      |                 |       |                    |            |       |                      |            |  |     |  |       |                      |            |  |     |  |       |                   |            |       |                      |                 |  |       |  |       |                   |            |       |         |           |       |         |           |       |         |           |       |         |           |       |         |           |       |         |           |       |         |           |       |         |           |       |         |           |       |         |           |       |         |           |       |         |           |       |         |           |       |         |            |
| C4600  | CAP_603   | sync[8B7]       |  |         |           |       |         |           |       |         |            |       |         |            |       |         |            |       |         |            |       |         |            |       |         |            |       |         |            |       |         |            |       |         |            |       |         |            |       |         |            |       |         |            |       |         |            |       |         |            |       |         |            |       |         |            |        |         |           |       |                      |           |       |         |           |       |                    |           |       |                    |           |       |                   |           |       |                      |           |       |          |           |       |               |           |       |                     |            |       |         |           |       |              |            |        |          |            |        |          |            |        |          |            |        |          |            |        |          |            |        |          |            |        |          |            |        |          |            |        |          |            |        |          |            |        |          |            |        |           |            |        |                  |            |        |         |            |        |         |            |       |         |            |       |         |            |       |         |            |       |         |            |       |         |            |       |                  |            |       |         |            |       |         |            |       |                  |            |       |         |            |       |         |            |       |                        |           |       |                        |           |       |                        |            |       |           |            |        |                     |           |        |                     |           |       |                           |           |       |                                |           |       |                           |           |       |                                      |           |       |                                      |           |       |                               |            |       |                      |            |  |   |  |       |                     |           |       |                     |           |       |          |           |       |                     |           |       |          |           |       |          |           |       |          |           |       |              |            |       |          |            |       |          |            |       |          |            |        |                           |           |       |                     |           |       |                     |           |       |                      |                 |       |                      |                 |       |                    |            |       |                      |            |  |     |  |       |                      |            |  |     |  |       |                   |            |       |                      |                 |  |       |  |       |                   |            |       |         |           |       |         |           |       |         |           |       |         |           |       |         |           |       |         |           |       |         |           |       |         |           |       |         |           |       |         |           |       |         |           |       |         |           |       |         |           |       |         |            |
| C4601  | CAP_402   | sync[8B7]       |  |         |           |       |         |           |       |         |            |       |         |            |       |         |            |       |         |            |       |         |            |       |         |            |       |         |            |       |         |            |       |         |            |       |         |            |       |         |            |       |         |            |       |         |            |       |         |            |       |         |            |       |         |            |        |         |           |       |                      |           |       |         |           |       |                    |           |       |                    |           |       |                   |           |       |                      |           |       |          |           |       |               |           |       |                     |            |       |         |           |       |              |            |        |          |            |        |          |            |        |          |            |        |          |            |        |          |            |        |          |            |        |          |            |        |          |            |        |          |            |        |          |            |        |          |            |        |           |            |        |                  |            |        |         |            |        |         |            |       |         |            |       |         |            |       |         |            |       |         |            |       |         |            |       |                  |            |       |         |            |       |         |            |       |                  |            |       |         |            |       |         |            |       |                        |           |       |                        |           |       |                        |            |       |           |            |        |                     |           |        |                     |           |       |                           |           |       |                                |           |       |                           |           |       |                                      |           |       |                                      |           |       |                               |            |       |                      |            |  |   |  |       |                     |           |       |                     |           |       |          |           |       |                     |           |       |          |           |       |          |           |       |          |           |       |              |            |       |          |            |       |          |            |       |          |            |        |                           |           |       |                     |           |       |                     |           |       |                      |                 |       |                      |                 |       |                    |            |       |                      |            |  |     |  |       |                      |            |  |     |  |       |                   |            |       |                      |                 |  |       |  |       |                   |            |       |         |           |       |         |           |       |         |           |       |         |           |       |         |           |       |         |           |       |         |           |       |         |           |       |         |           |       |         |           |       |         |           |       |         |           |       |         |           |       |         |            |
| C4602  | CAP_603   | sync[8B6]       |  |         |           |       |         |           |       |         |            |       |         |            |       |         |            |       |         |            |       |         |            |       |         |            |       |         |            |       |         |            |       |         |            |       |         |            |       |         |            |       |         |            |       |         |            |       |         |            |       |         |            |       |         |            |        |         |           |       |                      |           |       |         |           |       |                    |           |       |                    |           |       |                   |           |       |                      |           |       |          |           |       |               |           |       |                     |            |       |         |           |       |              |            |        |          |            |        |          |            |        |          |            |        |          |            |        |          |            |        |          |            |        |          |            |        |          |            |        |          |            |        |          |            |        |          |            |        |           |            |        |                  |            |        |         |            |        |         |            |       |         |            |       |         |            |       |         |            |       |         |            |       |         |            |       |                  |            |       |         |            |       |         |            |       |                  |            |       |         |            |       |         |            |       |                        |           |       |                        |           |       |                        |            |       |           |            |        |                     |           |        |                     |           |       |                           |           |       |                                |           |       |                           |           |       |                                      |           |       |                                      |           |       |                               |            |       |                      |            |  |   |  |       |                     |           |       |                     |           |       |          |           |       |                     |           |       |          |           |       |          |           |       |          |           |       |              |            |       |          |            |       |          |            |       |          |            |        |                           |           |       |                     |           |       |                     |           |       |                      |                 |       |                      |                 |       |                    |            |       |                      |            |  |     |  |       |                      |            |  |     |  |       |                   |            |       |                      |                 |  |       |  |       |                   |            |       |         |           |       |         |           |       |         |           |       |         |           |       |         |           |       |         |           |       |         |           |       |         |           |       |         |           |       |         |           |       |         |           |       |         |           |       |         |           |       |         |            |
| C4603  | CAP_P_CASE-C2-SM  | sync[8B5]       |  |         |           |       |         |           |       |         |            |       |         |            |       |         |            |       |         |            |       |         |            |       |         |            |       |         |            |       |         |            |       |         |            |       |         |            |       |         |            |       |         |            |       |         |            |       |         |            |       |         |            |       |         |            |        |         |           |       |                      |           |       |         |           |       |                    |           |       |                    |           |       |                   |           |       |                      |           |       |          |           |       |               |           |       |                     |            |       |         |           |       |              |            |        |          |            |        |          |            |        |          |            |        |          |            |        |          |            |        |          |            |        |          |            |        |          |            |        |          |            |        |          |            |        |          |            |        |           |            |        |                  |            |        |         |            |        |         |            |       |         |            |       |         |            |       |         |            |       |         |            |       |         |            |       |                  |            |       |         |            |       |         |            |       |                  |            |       |         |            |       |         |            |       |                        |           |       |                        |           |       |                        |            |       |           |            |        |                     |           |        |                     |           |       |                           |           |       |                                |           |       |                           |           |       |                                      |           |       |                                      |           |       |                               |            |       |                      |            |  |   |  |       |                     |           |       |                     |           |       |          |           |       |                     |           |       |          |           |       |          |           |       |          |           |       |              |            |       |          |            |       |          |            |       |          |            |        |                           |           |       |                     |           |       |                     |           |       |                      |                 |       |                      |                 |       |                    |            |       |                      |            |  |     |  |       |                      |            |  |     |  |       |                   |            |       |                      |                 |  |       |  |       |                   |            |       |         |           |       |         |           |       |         |           |       |         |           |       |         |           |       |         |           |       |         |           |       |         |           |       |         |           |       |         |           |       |         |           |       |         |           |       |         |           |       |         |            |
| C4612  | CAP_603   | sync[8C6]       |  |         |           |       |         |           |       |         |            |       |         |            |       |         |            |       |         |            |       |         |            |       |         |            |       |         |            |       |         |            |       |         |            |       |         |            |       |         |            |       |         |            |       |         |            |       |         |            |       |         |            |       |         |            |        |         |           |       |                      |           |       |         |           |       |                    |           |       |                    |           |       |                   |           |       |                      |           |       |          |           |       |               |           |       |                     |            |       |         |           |       |              |            |        |          |            |        |          |            |        |          |            |        |          |            |        |          |            |        |          |            |        |          |            |        |          |            |        |          |            |        |          |            |        |          |            |        |           |            |        |                  |            |        |         |            |        |         |            |       |         |            |       |         |            |       |         |            |       |         |            |       |         |            |       |                  |            |       |         |            |       |         |            |       |                  |            |       |         |            |       |         |            |       |                        |           |       |                        |           |       |                        |            |       |           |            |        |                     |           |        |                     |           |       |                           |           |       |                                |           |       |                           |           |       |                                      |           |       |                                      |           |       |                               |            |       |                      |            |  |   |  |       |                     |           |       |                     |           |       |          |           |       |                     |           |       |          |           |       |          |           |       |          |           |       |              |            |       |          |            |       |          |            |       |          |            |        |                           |           |       |                     |           |       |                     |           |       |                      |                 |       |                      |                 |       |                    |            |       |                      |            |  |     |  |       |                      |            |  |     |  |       |                   |            |       |                      |                 |  |       |  |       |                   |            |       |         |           |       |         |           |       |         |           |       |         |           |       |         |           |       |         |           |       |         |           |       |         |           |       |         |           |       |         |           |       |         |           |       |         |           |       |         |           |       |         |            |
| C4613  | CAP_P_CASE-C2-SM  | sync[8C5]       |  |         |           |       |         |           |       |         |            |       |         |            |       |         |            |       |         |            |       |         |            |       |         |            |       |         |            |       |         |            |       |         |            |       |         |            |       |         |            |       |         |            |       |         |            |       |         |            |       |         |            |       |         |            |        |         |           |       |                      |           |       |         |           |       |                    |           |       |                    |           |       |                   |           |       |                      |           |       |          |           |       |               |           |       |                     |            |       |         |           |       |              |            |        |          |            |        |          |            |        |          |            |        |          |            |        |          |            |        |          |            |        |          |            |        |          |            |        |          |            |        |          |            |        |          |            |        |           |            |        |                  |            |        |         |            |        |         |            |       |         |            |       |         |            |       |         |            |       |         |            |       |         |            |       |                  |            |       |         |            |       |         |            |       |                  |            |       |         |            |       |         |            |       |                        |           |       |                        |           |       |                        |            |       |           |            |        |                     |           |        |                     |           |       |                           |           |       |                                |           |       |                           |           |       |                                      |           |       |                                      |           |       |                               |            |       |                      |            |  |   |  |       |                     |           |       |                     |           |       |          |           |       |                     |           |       |          |           |       |          |           |       |          |           |       |              |            |       |          |            |       |          |            |       |          |            |        |                           |           |       |                     |           |       |                     |           |       |                      |                 |       |                      |                 |       |                    |            |       |                      |            |  |     |  |       |                      |            |  |     |  |       |                   |            |       |                      |                 |  |       |  |       |                   |            |       |         |           |       |         |           |       |         |           |       |         |           |       |         |           |       |         |           |       |         |           |       |         |           |       |         |           |       |         |           |       |         |           |       |         |           |       |         |           |       |         |            |
| C4650  | CAP_603   | sync[8B3]       |  |         |           |       |         |           |       |         |            |       |         |            |       |         |            |       |         |            |       |         |            |       |         |            |       |         |            |       |         |            |       |         |            |       |         |            |       |         |            |       |         |            |       |         |            |       |         |            |       |         |            |       |         |            |        |         |           |       |                      |           |       |         |           |       |                    |           |       |                    |           |       |                   |           |       |                      |           |       |          |           |       |               |           |       |                     |            |       |         |           |       |              |            |        |          |            |        |          |            |        |          |            |        |          |            |        |          |            |        |          |            |        |          |            |        |          |            |        |          |            |        |          |            |        |          |            |        |           |            |        |                  |            |        |         |            |        |         |            |       |         |            |       |         |            |       |         |            |       |         |            |       |         |            |       |                  |            |       |         |            |       |         |            |       |                  |            |       |         |            |       |         |            |       |                        |           |       |                        |           |       |                        |            |       |           |            |        |                     |           |        |                     |           |       |                           |           |       |                                |           |       |                           |           |       |                                      |           |       |                                      |           |       |                               |            |       |                      |            |  |   |  |       |                     |           |       |                     |           |       |          |           |       |                     |           |       |          |           |       |          |           |       |          |           |       |              |            |       |          |            |       |          |            |       |          |            |        |                           |           |       |                     |           |       |                     |           |       |                      |                 |       |                      |                 |       |                    |            |       |                      |            |  |     |  |       |                      |            |  |     |  |       |                   |            |       |                      |                 |  |       |  |       |                   |            |       |         |           |       |         |           |       |         |           |       |         |           |       |         |           |       |         |           |       |         |           |       |         |           |       |         |           |       |         |           |       |         |           |       |         |           |       |         |           |       |         |            |
| C4651  | CAP_603   | sync[8A3]       |  |         |           |       |         |           |       |         |            |       |         |            |       |         |            |       |         |            |       |         |            |       |         |            |       |         |            |       |         |            |       |         |            |       |         |            |       |         |            |       |         |            |       |         |            |       |         |            |       |         |            |       |         |            |        |         |           |       |                      |           |       |         |           |       |                    |           |       |                    |           |       |                   |           |       |                      |           |       |          |           |       |               |           |       |                     |            |       |         |           |       |              |            |        |          |            |        |          |            |        |          |            |        |          |            |        |          |            |        |          |            |        |          |            |        |          |            |        |          |            |        |          |            |        |          |            |        |           |            |        |                  |            |        |         |            |        |         |            |       |         |            |       |         |            |       |         |            |       |         |            |       |         |            |       |                  |            |       |         |            |       |         |            |       |                  |            |       |         |            |       |         |            |       |                        |           |       |                        |           |       |                        |            |       |           |            |        |                     |           |        |                     |           |       |                           |           |       |                                |           |       |                           |           |       |                                      |           |       |                                      |           |       |                               |            |       |                      |            |  |   |  |       |                     |           |       |                     |           |       |          |           |       |                     |           |       |          |           |       |          |           |       |          |           |       |              |            |       |          |            |       |          |            |       |          |            |        |                           |           |       |                     |           |       |                     |           |       |                      |                 |       |                      |                 |       |                    |            |       |                      |            |  |     |  |       |                      |            |  |     |  |       |                   |            |       |                      |                 |  |       |  |       |                   |            |       |         |           |       |         |           |       |         |           |       |         |           |       |         |           |       |         |           |       |         |           |       |         |           |       |         |           |       |         |           |       |         |           |       |         |           |       |         |           |       |         |            |
| C4660  | CAP_603   | sync[8D3]       |  |         |           |       |         |           |       |         |            |       |         |            |       |         |            |       |         |            |       |         |            |       |         |            |       |         |            |       |         |            |       |         |            |       |         |            |       |         |            |       |         |            |       |         |            |       |         |            |       |         |            |       |         |            |        |         |           |       |                      |           |       |         |           |       |                    |           |       |                    |           |       |                   |           |       |                      |           |       |          |           |       |               |           |       |                     |            |       |         |           |       |              |            |        |          |            |        |          |            |        |          |            |        |          |            |        |          |            |        |          |            |        |          |            |        |          |            |        |          |            |        |          |            |        |          |            |        |           |            |        |                  |            |        |         |            |        |         |            |       |         |            |       |         |            |       |         |            |       |         |            |       |         |            |       |                  |            |       |         |            |       |         |            |       |                  |            |       |         |            |       |         |            |       |                        |           |       |                        |           |       |                        |            |       |           |            |        |                     |           |        |                     |           |       |                           |           |       |                                |           |       |                           |           |       |                                      |           |       |                                      |           |       |                               |            |       |                      |            |  |   |  |       |                     |           |       |                     |           |       |          |           |       |                     |           |       |          |           |       |          |           |       |          |           |       |              |            |       |          |            |       |          |            |       |          |            |        |                           |           |       |                     |           |       |                     |           |       |                      |                 |       |                      |                 |       |                    |            |       |                      |            |  |     |  |       |                      |            |  |     |  |       |                   |            |       |                      |                 |  |       |  |       |                   |            |       |         |           |       |         |           |       |         |           |       |         |           |       |         |           |       |         |           |       |         |           |       |         |           |       |         |           |       |         |           |       |         |           |       |         |           |       |         |           |       |         |            |
| C4661  | CAP_603   | sync[8C3]       |  |         |           |       |         |           |       |         |            |       |         |            |       |         |            |       |         |            |       |         |            |       |         |            |       |         |            |       |         |            |       |         |            |       |         |            |       |         |            |       |         |            |       |         |            |       |         |            |       |         |            |       |         |            |        |         |           |       |                      |           |       |         |           |       |                    |           |       |                    |           |       |                   |           |       |                      |           |       |          |           |       |               |           |       |                     |            |       |         |           |       |              |            |        |          |            |        |          |            |        |          |            |        |          |            |        |          |            |        |          |            |        |          |            |        |          |            |        |          |            |        |          |            |        |          |            |        |           |            |        |                  |            |        |         |            |        |         |            |       |         |            |       |         |            |       |         |            |       |         |            |       |         |            |       |                  |            |       |         |            |       |         |            |       |                  |            |       |         |            |       |         |            |       |                        |           |       |                        |           |       |                        |            |       |           |            |        |                     |           |        |                     |           |       |                           |           |       |                                |           |       |                           |           |       |                                      |           |       |                                      |           |       |                               |            |       |                      |            |  |   |  |       |                     |           |       |                     |           |       |          |           |       |                     |           |       |          |           |       |          |           |       |          |           |       |              |            |       |          |            |       |          |            |       |          |            |        |                           |           |       |                     |           |       |                     |           |       |                      |                 |       |                      |                 |       |                    |            |       |                      |            |  |     |  |       |                      |            |  |     |  |       |                   |            |       |                      |                 |  |       |  |       |                   |            |       |         |           |       |         |           |       |         |           |       |         |           |       |         |           |       |         |           |       |         |           |       |         |           |       |         |           |       |         |           |       |         |           |       |         |           |       |         |           |       |         |            |
| C5801  | CAP_402   | sync[9C6]       |  |         |           |       |         |           |       |         |            |       |         |            |       |         |            |       |         |            |       |         |            |       |         |            |       |         |            |       |         |            |       |         |            |       |         |            |       |         |            |       |         |            |       |         |            |       |         |            |       |         |            |       |         |            |        |         |           |       |                      |           |       |         |           |       |                    |           |       |                    |           |       |                   |           |       |                      |           |       |          |           |       |               |           |       |                     |            |       |         |           |       |              |            |        |          |            |        |          |            |        |          |            |        |          |            |        |          |            |        |          |            |        |          |            |        |          |            |        |          |            |        |          |            |        |          |            |        |           |            |        |                  |            |        |         |            |        |         |            |       |         |            |       |         |            |       |         |            |       |         |            |       |         |            |       |                  |            |       |         |            |       |         |            |       |                  |            |       |         |            |       |         |            |       |                        |           |       |                        |           |       |                        |            |       |           |            |        |                     |           |        |                     |           |       |                           |           |       |                                |           |       |                           |           |       |                                      |           |       |                                      |           |       |                               |            |       |                      |            |  |   |  |       |                     |           |       |                     |           |       |          |           |       |                     |           |       |          |           |       |          |           |       |          |           |       |              |            |       |          |            |       |          |            |       |          |            |        |                           |           |       |                     |           |       |                     |           |       |                      |                 |       |                      |                 |       |                    |            |       |                      |            |  |     |  |       |                      |            |  |     |  |       |                   |            |       |                      |                 |  |       |  |       |                   |            |       |         |           |       |         |           |       |         |           |       |         |           |       |         |           |       |         |           |       |         |           |       |         |           |       |         |           |       |         |           |       |         |           |       |         |           |       |         |           |       |         |            |
| C5802  | CAP_402   | sync[9C5]       |  |         |           |       |         |           |       |         |            |       |         |            |       |         |            |       |         |            |       |         |            |       |         |            |       |         |            |       |         |            |       |         |            |       |         |            |       |         |            |       |         |            |       |         |            |       |         |            |       |         |            |       |         |            |        |         |           |       |                      |           |       |         |           |       |                    |           |       |                    |           |       |                   |           |       |                      |           |       |          |           |       |               |           |       |                     |            |       |         |           |       |              |            |        |          |            |        |          |            |        |          |            |        |          |            |        |          |            |        |          |            |        |          |            |        |          |            |        |          |            |        |          |            |        |          |            |        |           |            |        |                  |            |        |         |            |        |         |            |       |         |            |       |         |            |       |         |            |       |         |            |       |         |            |       |                  |            |       |         |            |       |         |            |       |                  |            |       |         |            |       |         |            |       |                        |           |       |                        |           |       |                        |            |       |           |            |        |                     |           |        |                     |           |       |                           |           |       |                                |           |       |                           |           |       |                                      |           |       |                                      |           |       |                               |            |       |                      |            |  |   |  |       |                     |           |       |                     |           |       |          |           |       |                     |           |       |          |           |       |          |           |       |          |           |       |              |            |       |          |            |       |          |            |       |          |            |        |                           |           |       |                     |           |       |                     |           |       |                      |                 |       |                      |                 |       |                    |            |       |                      |            |  |     |  |       |                      |            |  |     |  |       |                   |            |       |                      |                 |  |       |  |       |                   |            |       |         |           |       |         |           |       |         |           |       |         |           |       |         |           |       |         |           |       |         |           |       |         |           |       |         |           |       |         |           |       |         |           |       |         |           |       |         |           |       |         |            |
| C5803  | CAP_402   | sync[9D5]       |  |         |           |       |         |           |       |         |            |       |         |            |       |         |            |       |         |            |       |         |            |       |         |            |       |         |            |       |         |            |       |         |            |       |         |            |       |         |            |       |         |            |       |         |            |       |         |            |       |         |            |       |         |            |        |         |           |       |                      |           |       |         |           |       |                    |           |       |                    |           |       |                   |           |       |                      |           |       |          |           |       |               |           |       |                     |            |       |         |           |       |              |            |        |          |            |        |          |            |        |          |            |        |          |            |        |          |            |        |          |            |        |          |            |        |          |            |        |          |            |        |          |            |        |          |            |        |           |            |        |                  |            |        |         |            |        |         |            |       |         |            |       |         |            |       |         |            |       |         |            |       |         |            |       |                  |            |       |         |            |       |         |            |       |                  |            |       |         |            |       |         |            |       |                        |           |       |                        |           |       |                        |            |       |           |            |        |                     |           |        |                     |           |       |                           |           |       |                                |           |       |                           |           |       |                                      |           |       |                                      |           |       |                               |            |       |                      |            |  |   |  |       |                     |           |       |                     |           |       |          |           |       |                     |           |       |          |           |       |          |           |       |          |           |       |              |            |       |          |            |       |          |            |       |          |            |        |                           |           |       |                     |           |       |                     |           |       |                      |                 |       |                      |                 |       |                    |            |       |                      |            |  |     |  |       |                      |            |  |     |  |       |                   |            |       |                      |                 |  |       |  |       |                   |            |       |         |           |       |         |           |       |         |           |       |         |           |       |         |           |       |         |           |       |         |           |       |         |           |       |         |           |       |         |           |       |         |           |       |         |           |       |         |           |       |         |            |
| C5804  | CAP_402   | sync[9B5]       |  |         |           |       |         |           |       |         |            |       |         |            |       |         |            |       |         |            |       |         |            |       |         |            |       |         |            |       |         |            |       |         |            |       |         |            |       |         |            |       |         |            |       |         |            |       |         |            |       |         |            |       |         |            |        |         |           |       |                      |           |       |         |           |       |                    |           |       |                    |           |       |                   |           |       |                      |           |       |          |           |       |               |           |       |                     |            |       |         |           |       |              |            |        |          |            |        |          |            |        |          |            |        |          |            |        |          |            |        |          |            |        |          |            |        |          |            |        |          |            |        |          |            |        |          |            |        |           |            |        |                  |            |        |         |            |        |         |            |       |         |            |       |         |            |       |         |            |       |         |            |       |         |            |       |                  |            |       |         |            |       |         |            |       |                  |            |       |         |            |       |         |            |       |                        |           |       |                        |           |       |                        |            |       |           |            |        |                     |           |        |                     |           |       |                           |           |       |                                |           |       |                           |           |       |                                      |           |       |                                      |           |       |                               |            |       |                      |            |  |   |  |       |                     |           |       |                     |           |       |          |           |       |                     |           |       |          |           |       |          |           |       |          |           |       |              |            |       |          |            |       |          |            |       |          |            |        |                           |           |       |                     |           |       |                     |           |       |                      |                 |       |                      |                 |       |                    |            |       |                      |            |  |     |  |       |                      |            |  |     |  |       |                   |            |       |                      |                 |  |       |  |       |                   |            |       |         |           |       |         |           |       |         |           |       |         |           |       |         |           |       |         |           |       |         |           |       |         |           |       |         |           |       |         |           |       |         |           |       |         |           |       |         |           |       |         |            |
| C5805  | CAP_402   | sync[9A4]       |  |         |           |       |         |           |       |         |            |       |         |            |       |         |            |       |         |            |       |         |            |       |         |            |       |         |            |       |         |            |       |         |            |       |         |            |       |         |            |       |         |            |       |         |            |       |         |            |       |         |            |       |         |            |        |         |           |       |                      |           |       |         |           |       |                    |           |       |                    |           |       |                   |           |       |                      |           |       |          |           |       |               |           |       |                     |            |       |         |           |       |              |            |        |          |            |        |          |            |        |          |            |        |          |            |        |          |            |        |          |            |        |          |            |        |          |            |        |          |            |        |          |            |        |          |            |        |           |            |        |                  |            |        |         |            |        |         |            |       |         |            |       |         |            |       |         |            |       |         |            |       |         |            |       |                  |            |       |         |            |       |         |            |       |                  |            |       |         |            |       |         |            |       |                        |           |       |                        |           |       |                        |            |       |           |            |        |                     |           |        |                     |           |       |                           |           |       |                                |           |       |                           |           |       |                                      |           |       |                                      |           |       |                               |            |       |                      |            |  |   |  |       |                     |           |       |                     |           |       |          |           |       |                     |           |       |          |           |       |          |           |       |          |           |       |              |            |       |          |            |       |          |            |       |          |            |        |                           |           |       |                     |           |       |                     |           |       |                      |                 |       |                      |                 |       |                    |            |       |                      |            |  |     |  |       |                      |            |  |     |  |       |                   |            |       |                      |                 |  |       |  |       |                   |            |       |         |           |       |         |           |       |         |           |       |         |           |       |         |           |       |         |           |       |         |           |       |         |           |       |         |           |       |         |           |       |         |           |       |         |           |       |         |           |       |         |            |
| C6900  | CAP_805   | sync[10D7]      |  |         |           |       |         |           |       |         |            |       |         |            |       |         |            |       |         |            |       |         |            |       |         |            |       |         |            |       |         |            |       |         |            |       |         |            |       |         |            |       |         |            |       |         |            |       |         |            |       |         |            |       |         |            |        |         |           |       |                      |           |       |         |           |       |                    |           |       |                    |           |       |                   |           |       |                      |           |       |          |           |       |               |           |       |                     |            |       |         |           |       |              |            |        |          |            |        |          |            |        |          |            |        |          |            |        |          |            |        |          |            |        |          |            |        |          |            |        |          |            |        |          |            |        |          |            |        |           |            |        |                  |            |        |         |            |        |         |            |       |         |            |       |         |            |       |         |            |       |         |            |       |         |            |       |                  |            |       |         |            |       |         |            |       |                  |            |       |         |            |       |         |            |       |                        |           |       |                        |           |       |                        |            |       |           |            |        |                     |           |        |                     |           |       |                           |           |       |                                |           |       |                           |           |       |                                      |           |       |                                      |           |       |                               |            |       |                      |            |  |   |  |       |                     |           |       |                     |           |       |          |           |       |                     |           |       |          |           |       |          |           |       |          |           |       |              |            |       |          |            |       |          |            |       |          |            |        |                           |           |       |                     |           |       |                     |           |       |                      |                 |       |                      |                 |       |                    |            |       |                      |            |  |     |  |       |                      |            |  |     |  |       |                   |            |       |                      |                 |  |       |  |       |                   |            |       |         |           |       |         |           |       |         |           |       |         |           |       |         |           |       |         |           |       |         |           |       |         |           |       |         |           |       |         |           |       |         |           |       |         |           |       |         |           |       |         |            |
| C6901  | CAP_805   | sync[10D7]      |  |         |           |       |         |           |       |         |            |       |         |            |       |         |            |       |         |            |       |         |            |       |         |            |       |         |            |       |         |            |       |         |            |       |         |            |       |         |            |       |         |            |       |         |            |       |         |            |       |         |            |       |         |            |        |         |           |       |                      |           |       |         |           |       |                    |           |       |                    |           |       |                   |           |       |                      |           |       |          |           |       |               |           |       |                     |            |       |         |           |       |              |            |        |          |            |        |          |            |        |          |            |        |          |            |        |          |            |        |          |            |        |          |            |        |          |            |        |          |            |        |          |            |        |          |            |        |           |            |        |                  |            |        |         |            |        |         |            |       |         |            |       |         |            |       |         |            |       |         |            |       |         |            |       |                  |            |       |         |            |       |         |            |       |                  |            |       |         |            |       |         |            |       |                        |           |       |                        |           |       |                        |            |       |           |            |        |                     |           |        |                     |           |       |                           |           |       |                                |           |       |                           |           |       |                                      |           |       |                                      |           |       |                               |            |       |                      |            |  |   |  |       |                     |           |       |                     |           |       |          |           |       |                     |           |       |          |           |       |          |           |       |          |           |       |              |            |       |          |            |       |          |            |       |          |            |        |                           |           |       |                     |           |       |                     |           |       |                      |                 |       |                      |                 |       |                    |            |       |                      |            |  |     |  |       |                      |            |  |     |  |       |                   |            |       |                      |                 |  |       |  |       |                   |            |       |         |           |       |         |           |       |         |           |       |         |           |       |         |           |       |         |           |       |         |           |       |         |           |       |         |           |       |         |           |       |         |           |       |         |           |       |         |           |       |         |            |
| C6903  | CAP_402   | sync[10D7]      |  |         |           |       |         |           |       |         |            |       |         |            |       |         |            |       |         |            |       |         |            |       |         |            |       |         |            |       |         |            |       |         |            |       |         |            |       |         |            |       |         |            |       |         |            |       |         |            |       |         |            |       |         |            |        |         |           |       |                      |           |       |         |           |       |                    |           |       |                    |           |       |                   |           |       |                      |           |       |          |           |       |               |           |       |                     |            |       |         |           |       |              |            |        |          |            |        |          |            |        |          |            |        |          |            |        |          |            |        |          |            |        |          |            |        |          |            |        |          |            |        |          |            |        |          |            |        |           |            |        |                  |            |        |         |            |        |         |            |       |         |            |       |         |            |       |         |            |       |         |            |       |         |            |       |                  |            |       |         |            |       |         |            |       |                  |            |       |         |            |       |         |            |       |                        |           |       |                        |           |       |                        |            |       |           |            |        |                     |           |        |                     |           |       |                           |           |       |                                |           |       |                           |           |       |                                      |           |       |                                      |           |       |                               |            |       |                      |            |  |   |  |       |                     |           |       |                     |           |       |          |           |       |                     |           |       |          |           |       |          |           |       |          |           |       |              |            |       |          |            |       |          |            |       |          |            |        |                           |           |       |                     |           |       |                     |           |       |                      |                 |       |                      |                 |       |                    |            |       |                      |            |  |     |  |       |                      |            |  |     |  |       |                   |            |       |                      |                 |  |       |  |       |                   |            |       |         |           |       |         |           |       |         |           |       |         |           |       |         |           |       |         |           |       |         |           |       |         |           |       |         |           |       |         |           |       |         |           |       |         |           |       |         |           |       |         |            |
| C6904  | CAP_603   | sync[10D6]      |  |         |           |       |         |           |       |         |            |       |         |            |       |         |            |       |         |            |       |         |            |       |         |            |       |         |            |       |         |            |       |         |            |       |         |            |       |         |            |       |         |            |       |         |            |       |         |            |       |         |            |       |         |            |        |         |           |       |                      |           |       |         |           |       |                    |           |       |                    |           |       |                   |           |       |                      |           |       |          |           |       |               |           |       |                     |            |       |         |           |       |              |            |        |          |            |        |          |            |        |          |            |        |          |            |        |          |            |        |          |            |        |          |            |        |          |            |        |          |            |        |          |            |        |          |            |        |           |            |        |                  |            |        |         |            |        |         |            |       |         |            |       |         |            |       |         |            |       |         |            |       |         |            |       |                  |            |       |         |            |       |         |            |       |                  |            |       |         |            |       |         |            |       |                        |           |       |                        |           |       |                        |            |       |           |            |        |                     |           |        |                     |           |       |                           |           |       |                                |           |       |                           |           |       |                                      |           |       |                                      |           |       |                               |            |       |                      |            |  |   |  |       |                     |           |       |                     |           |       |          |           |       |                     |           |       |          |           |       |          |           |       |          |           |       |              |            |       |          |            |       |          |            |       |          |            |        |                           |           |       |                     |           |       |                     |           |       |                      |                 |       |                      |                 |       |                    |            |       |                      |            |  |     |  |       |                      |            |  |     |  |       |                   |            |       |                      |                 |  |       |  |       |                   |            |       |         |           |       |         |           |       |         |           |       |         |           |       |         |           |       |         |           |       |         |           |       |         |           |       |         |           |       |         |           |       |         |           |       |         |           |       |         |           |       |         |            |
| C6905  | CAP_603   | sync[10D4]      |  |         |           |       |         |           |       |         |            |       |         |            |       |         |            |       |         |            |       |         |            |       |         |            |       |         |            |       |         |            |       |         |            |       |         |            |       |         |            |       |         |            |       |         |            |       |         |            |       |         |            |       |         |            |        |         |           |       |                      |           |       |         |           |       |                    |           |       |                    |           |       |                   |           |       |                      |           |       |          |           |       |               |           |       |                     |            |       |         |           |       |              |            |        |          |            |        |          |            |        |          |            |        |          |            |        |          |            |        |          |            |        |          |            |        |          |            |        |          |            |        |          |            |        |          |            |        |           |            |        |                  |            |        |         |            |        |         |            |       |         |            |       |         |            |       |         |            |       |         |            |       |         |            |       |                  |            |       |         |            |       |         |            |       |                  |            |       |         |            |       |         |            |       |                        |           |       |                        |           |       |                        |            |       |           |            |        |                     |           |        |                     |           |       |                           |           |       |                                |           |       |                           |           |       |                                      |           |       |                                      |           |       |                               |            |       |                      |            |  |   |  |       |                     |           |       |                     |           |       |          |           |       |                     |           |       |          |           |       |          |           |       |          |           |       |              |            |       |          |            |       |          |            |       |          |            |        |                           |           |       |                     |           |       |                     |           |       |                      |                 |       |                      |                 |       |                    |            |       |                      |            |  |     |  |       |                      |            |  |     |  |       |                   |            |       |                      |                 |  |       |  |       |                   |            |       |         |           |       |         |           |       |         |           |       |         |           |       |         |           |       |         |           |       |         |           |       |         |           |       |         |           |       |         |           |       |         |           |       |         |           |       |         |           |       |         |            |
| C6906  | CAP_402   | sync[10C2]      |  |         |           |       |         |           |       |         |            |       |         |            |       |         |            |       |         |            |       |         |            |       |         |            |       |         |            |       |         |            |       |         |            |       |         |            |       |         |            |       |         |            |       |         |            |       |         |            |       |         |            |       |         |            |        |         |           |       |                      |           |       |         |           |       |                    |           |       |                    |           |       |                   |           |       |                      |           |       |          |           |       |               |           |       |                     |            |       |         |           |       |              |            |        |          |            |        |          |            |        |          |            |        |          |            |        |          |            |        |          |            |        |          |            |        |          |            |        |          |            |        |          |            |        |          |            |        |           |            |        |                  |            |        |         |            |        |         |            |       |         |            |       |         |            |       |         |            |       |         |            |       |         |            |       |                  |            |       |         |            |       |         |            |       |                  |            |       |         |            |       |         |            |       |                        |           |       |                        |           |       |                        |            |       |           |            |        |                     |           |        |                     |           |       |                           |           |       |                                |           |       |                           |           |       |                                      |           |       |                                      |           |       |                               |            |       |                      |            |  |   |  |       |                     |           |       |                     |           |       |          |           |       |                     |           |       |          |           |       |          |           |       |          |           |       |              |            |       |          |            |       |          |            |       |          |            |        |                           |           |       |                     |           |       |                     |           |       |                      |                 |       |                      |                 |       |                    |            |       |                      |            |  |     |  |       |                      |            |  |     |  |       |                   |            |       |                      |                 |  |       |  |       |                   |            |       |         |           |       |         |           |       |         |           |       |         |           |       |         |           |       |         |           |       |         |           |       |         |           |       |         |           |       |         |           |       |         |           |       |         |           |       |         |           |       |         |            |
| C6907  | CAP_402   | sync[10B1]      |  |         |           |       |         |           |       |         |            |       |         |            |       |         |            |       |         |            |       |         |            |       |         |            |       |         |            |       |         |            |       |         |            |       |         |            |       |         |            |       |         |            |       |         |            |       |         |            |       |         |            |       |         |            |        |         |           |       |                      |           |       |         |           |       |                    |           |       |                    |           |       |                   |           |       |                      |           |       |          |           |       |               |           |       |                     |            |       |         |           |       |              |            |        |          |            |        |          |            |        |          |            |        |          |            |        |          |            |        |          |            |        |          |            |        |          |            |        |          |            |        |          |            |        |          |            |        |           |            |        |                  |            |        |         |            |        |         |            |       |         |            |       |         |            |       |         |            |       |         |            |       |         |            |       |                  |            |       |         |            |       |         |            |       |                  |            |       |         |            |       |         |            |       |                        |           |       |                        |           |       |                        |            |       |           |            |        |                     |           |        |                     |           |       |                           |           |       |                                |           |       |                           |           |       |                                      |           |       |                                      |           |       |                               |            |       |                      |            |  |   |  |       |                     |           |       |                     |           |       |          |           |       |                     |           |       |          |           |       |          |           |       |          |           |       |              |            |       |          |            |       |          |            |       |          |            |        |                           |           |       |                     |           |       |                     |           |       |                      |                 |       |                      |                 |       |                    |            |       |                      |            |  |     |  |       |                      |            |  |     |  |       |                   |            |       |                      |                 |  |       |  |       |                   |            |       |         |           |       |         |           |       |         |           |       |         |           |       |         |           |       |         |           |       |         |           |       |         |           |       |         |           |       |         |           |       |         |           |       |         |           |       |         |           |       |         |            |
| C7600  | CAP_603   | sync[11D2]      |  |         |           |       |         |           |       |         |            |       |         |            |       |         |            |       |         |            |       |         |            |       |         |            |       |         |            |       |         |            |       |         |            |       |         |            |       |         |            |       |         |            |       |         |            |       |         |            |       |         |            |       |         |            |        |         |           |       |                      |           |       |         |           |       |                    |           |       |                    |           |       |                   |           |       |                      |           |       |          |           |       |               |           |       |                     |            |       |         |           |       |              |            |        |          |            |        |          |            |        |          |            |        |          |            |        |          |            |        |          |            |        |          |            |        |          |            |        |          |            |        |          |            |        |          |            |        |           |            |        |                  |            |        |         |            |        |         |            |       |         |            |       |         |            |       |         |            |       |         |            |       |         |            |       |                  |            |       |         |            |       |         |            |       |                  |            |       |         |            |       |         |            |       |                        |           |       |                        |           |       |                        |            |       |           |            |        |                     |           |        |                     |           |       |                           |           |       |                                |           |       |                           |           |       |                                      |           |       |                                      |           |       |                               |            |       |                      |            |  |   |  |       |                     |           |       |                     |           |       |          |           |       |                     |           |       |          |           |       |          |           |       |          |           |       |              |            |       |          |            |       |          |            |       |          |            |        |                           |           |       |                     |           |       |                     |           |       |                      |                 |       |                      |                 |       |                    |            |       |                      |            |  |     |  |       |                      |            |  |     |  |       |                   |            |       |                      |                 |  |       |  |       |                   |            |       |         |           |       |         |           |       |         |           |       |         |           |       |         |           |       |         |           |       |         |           |       |         |           |       |         |           |       |         |           |       |         |           |       |         |           |       |         |           |       |         |            |
| C7601  | CAP_805-2   | sync[11C2]      |  |         |           |       |         |           |       |         |            |       |         |            |       |         |            |       |         |            |       |         |            |       |         |            |       |         |            |       |         |            |       |         |            |       |         |            |       |         |            |       |         |            |       |         |            |       |         |            |       |         |            |       |         |            |        |         |           |       |                      |           |       |         |           |       |                    |           |       |                    |           |       |                   |           |       |                      |           |       |          |           |       |               |           |       |                     |            |       |         |           |       |              |            |        |          |            |        |          |            |        |          |            |        |          |            |        |          |            |        |          |            |        |          |            |        |          |            |        |          |            |        |          |            |        |          |            |        |           |            |        |                  |            |        |         |            |        |         |            |       |         |            |       |         |            |       |         |            |       |         |            |       |         |            |       |                  |            |       |         |            |       |         |            |       |                  |            |       |         |            |       |         |            |       |                        |           |       |                        |           |       |                        |            |       |           |            |        |                     |           |        |                     |           |       |                           |           |       |                                |           |       |                           |           |       |                                      |           |       |                                      |           |       |                               |            |       |                      |            |  |   |  |       |                     |           |       |                     |           |       |          |           |       |                     |           |       |          |           |       |          |           |       |          |           |       |              |            |       |          |            |       |          |            |       |          |            |        |                           |           |       |                     |           |       |                     |           |       |                      |                 |       |                      |                 |       |                    |            |       |                      |            |  |     |  |       |                      |            |  |     |  |       |                   |            |       |                      |                 |  |       |  |       |                   |            |       |         |           |       |         |           |       |         |           |       |         |           |       |         |           |       |         |           |       |         |           |       |         |           |       |         |           |       |         |           |       |         |           |       |         |           |       |         |           |       |         |            |
| C7602  | CAP_P_CASE-C2-SM  | sync[11C1]      |  |         |           |       |         |           |       |         |            |       |         |            |       |         |            |       |         |            |       |         |            |       |         |            |       |         |            |       |         |            |       |         |            |       |         |            |       |         |            |       |         |            |       |         |            |       |         |            |       |         |            |       |         |            |        |         |           |       |                      |           |       |         |           |       |                    |           |       |                    |           |       |                   |           |       |                      |           |       |          |           |       |               |           |       |                     |            |       |         |           |       |              |            |        |          |            |        |          |            |        |          |            |        |          |            |        |          |            |        |          |            |        |          |            |        |          |            |        |          |            |        |          |            |        |          |            |        |           |            |        |                  |            |        |         |            |        |         |            |       |         |            |       |         |            |       |         |            |       |         |            |       |         |            |       |                  |            |       |         |            |       |         |            |       |                  |            |       |         |            |       |         |            |       |                        |           |       |                        |           |       |                        |            |       |           |            |        |                     |           |        |                     |           |       |                           |           |       |                                |           |       |                           |           |       |                                      |           |       |                                      |           |       |                               |            |       |                      |            |  |   |  |       |                     |           |       |                     |           |       |          |           |       |                     |           |       |          |           |       |          |           |       |          |           |       |              |            |       |          |            |       |          |            |       |          |            |        |                           |           |       |                     |           |       |                     |           |       |                      |                 |       |                      |                 |       |                    |            |       |                      |            |  |     |  |       |                      |            |  |     |  |       |                   |            |       |                      |                 |  |       |  |       |                   |            |       |         |           |       |         |           |       |         |           |       |         |           |       |         |           |       |         |           |       |         |           |       |         |           |       |         |           |       |         |           |       |         |           |       |         |           |       |         |           |       |         |            |
| C7603  | CAP_402   | sync[11C3]      |  |         |           |       |         |           |       |         |            |       |         |            |       |         |            |       |         |            |       |         |            |       |         |            |       |         |            |       |         |            |       |         |            |       |         |            |       |         |            |       |         |            |       |         |            |       |         |            |       |         |            |       |         |            |        |         |           |       |                      |           |       |         |           |       |                    |           |       |                    |           |       |                   |           |       |                      |           |       |          |           |       |               |           |       |                     |            |       |         |           |       |              |            |        |          |            |        |          |            |        |          |            |        |          |            |        |          |            |        |          |            |        |          |            |        |          |            |        |          |            |        |          |            |        |          |            |        |           |            |        |                  |            |        |         |            |        |         |            |       |         |            |       |         |            |       |         |            |       |         |            |       |         |            |       |                  |            |       |         |            |       |         |            |       |                  |            |       |         |            |       |         |            |       |                        |           |       |                        |           |       |                        |            |       |           |            |        |                     |           |        |                     |           |       |                           |           |       |                                |           |       |                           |           |       |                                      |           |       |                                      |           |       |                               |            |       |                      |            |  |   |  |       |                     |           |       |                     |           |       |          |           |       |                     |           |       |          |           |       |          |           |       |          |           |       |              |            |       |          |            |       |          |            |       |          |            |        |                           |           |       |                     |           |       |                     |           |       |                      |                 |       |                      |                 |       |                    |            |       |                      |            |  |     |  |       |                      |            |  |     |  |       |                   |            |       |                      |                 |  |       |  |       |                   |            |       |         |           |       |         |           |       |         |           |       |         |           |       |         |           |       |         |           |       |         |           |       |         |           |       |         |           |       |         |           |       |         |           |       |         |           |       |         |           |       |         |            |
| C7610  | CAP_402   | sync[11A7]      |  |         |           |       |         |           |       |         |            |       |         |            |       |         |            |       |         |            |       |         |            |       |         |            |       |         |            |       |         |            |       |         |            |       |         |            |       |         |            |       |         |            |       |         |            |       |         |            |       |         |            |       |         |            |        |         |           |       |                      |           |       |         |           |       |                    |           |       |                    |           |       |                   |           |       |                      |           |       |          |           |       |               |           |       |                     |            |       |         |           |       |              |            |        |          |            |        |          |            |        |          |            |        |          |            |        |          |            |        |          |            |        |          |            |        |          |            |        |          |            |        |          |            |        |          |            |        |           |            |        |                  |            |        |         |            |        |         |            |       |         |            |       |         |            |       |         |            |       |         |            |       |         |            |       |                  |            |       |         |            |       |         |            |       |                  |            |       |         |            |       |         |            |       |                        |           |       |                        |           |       |                        |            |       |           |            |        |                     |           |        |                     |           |       |                           |           |       |                                |           |       |                           |           |       |                                      |           |       |                                      |           |       |                               |            |       |                      |            |  |   |  |       |                     |           |       |                     |           |       |          |           |       |                     |           |       |          |           |       |          |           |       |          |           |       |              |            |       |          |            |       |          |            |       |          |            |        |                           |           |       |                     |           |       |                     |           |       |                      |                 |       |                      |                 |       |                    |            |       |                      |            |  |     |  |       |                      |            |  |     |  |       |                   |            |       |                      |                 |  |       |  |       |                   |            |       |         |           |       |         |           |       |         |           |       |         |           |       |         |           |       |         |           |       |         |           |       |         |           |       |         |           |       |         |           |       |         |           |       |         |           |       |         |           |       |         |            |
| C7620  | CAP_603   | sync[11C6]      |  |         |           |       |         |           |       |         |            |       |         |            |       |         |            |       |         |            |       |         |            |       |         |            |       |         |            |       |         |            |       |         |            |       |         |            |       |         |            |       |         |            |       |         |            |       |         |            |       |         |            |       |         |            |        |         |           |       |                      |           |       |         |           |       |                    |           |       |                    |           |       |                   |           |       |                      |           |       |          |           |       |               |           |       |                     |            |       |         |           |       |              |            |        |          |            |        |          |            |        |          |            |        |          |            |        |          |            |        |          |            |        |          |            |        |          |            |        |          |            |        |          |            |        |          |            |        |           |            |        |                  |            |        |         |            |        |         |            |       |         |            |       |         |            |       |         |            |       |         |            |       |         |            |       |                  |            |       |         |            |       |         |            |       |                  |            |       |         |            |       |         |            |       |                        |           |       |                        |           |       |                        |            |       |           |            |        |                     |           |        |                     |           |       |                           |           |       |                                |           |       |                           |           |       |                                      |           |       |                                      |           |       |                               |            |       |                      |            |  |   |  |       |                     |           |       |                     |           |       |          |           |       |                     |           |       |          |           |       |          |           |       |          |           |       |              |            |       |          |            |       |          |            |       |          |            |        |                           |           |       |                     |           |       |                     |           |       |                      |                 |       |                      |                 |       |                    |            |       |                      |            |  |     |  |       |                      |            |  |     |  |       |                   |            |       |                      |                 |  |       |  |       |                   |            |       |         |           |       |         |           |       |         |           |       |         |           |       |         |           |       |         |           |       |         |           |       |         |           |       |         |           |       |         |           |       |         |           |       |         |           |       |         |           |       |         |            |
| C7621  | CAP_402   | sync[11C7]      |  |         |           |       |         |           |       |         |            |       |         |            |       |         |            |       |         |            |       |         |            |       |         |            |       |         |            |       |         |            |       |         |            |       |         |            |       |         |            |       |         |            |       |         |            |       |         |            |       |         |            |       |         |            |        |         |           |       |                      |           |       |         |           |       |                    |           |       |                    |           |       |                   |           |       |                      |           |       |          |           |       |               |           |       |                     |            |       |         |           |       |              |            |        |          |            |        |          |            |        |          |            |        |          |            |        |          |            |        |          |            |        |          |            |        |          |            |        |          |            |        |          |            |        |          |            |        |           |            |        |                  |            |        |         |            |        |         |            |       |         |            |       |         |            |       |         |            |       |         |            |       |         |            |       |                  |            |       |         |            |       |         |            |       |                  |            |       |         |            |       |         |            |       |                        |           |       |                        |           |       |                        |            |       |           |            |        |                     |           |        |                     |           |       |                           |           |       |                                |           |       |                           |           |       |                                      |           |       |                                      |           |       |                               |            |       |                      |            |  |   |  |       |                     |           |       |                     |           |       |          |           |       |                     |           |       |          |           |       |          |           |       |          |           |       |              |            |       |          |            |       |          |            |       |          |            |        |                           |           |       |                     |           |       |                     |           |       |                      |                 |       |                      |                 |       |                    |            |       |                      |            |  |     |  |       |                      |            |  |     |  |       |                   |            |       |                      |                 |  |       |  |       |                   |            |       |         |           |       |         |           |       |         |           |       |         |           |       |         |           |       |         |           |       |         |           |       |         |           |       |         |           |       |         |           |       |         |           |       |         |           |       |         |           |       |         |            |
| C7622  | CAP_603   | sync[11B5]      |  |         |           |       |         |           |       |         |            |       |         |            |       |         |            |       |         |            |       |         |            |       |         |            |       |         |            |       |         |            |       |         |            |       |         |            |       |         |            |       |         |            |       |         |            |       |         |            |       |         |            |       |         |            |        |         |           |       |                      |           |       |         |           |       |                    |           |       |                    |           |       |                   |           |       |                      |           |       |          |           |       |               |           |       |                     |            |       |         |           |       |              |            |        |          |            |        |          |            |        |          |            |        |          |            |        |          |            |        |          |            |        |          |            |        |          |            |        |          |            |        |          |            |        |          |            |        |           |            |        |                  |            |        |         |            |        |         |            |       |         |            |       |         |            |       |         |            |       |         |            |       |         |            |       |                  |            |       |         |            |       |         |            |       |                  |            |       |         |            |       |         |            |       |                        |           |       |                        |           |       |                        |            |       |           |            |        |                     |           |        |                     |           |       |                           |           |       |                                |           |       |                           |           |       |                                      |           |       |                                      |           |       |                               |            |       |                      |            |  |   |  |       |                     |           |       |                     |           |       |          |           |       |                     |           |       |          |           |       |          |           |       |          |           |       |              |            |       |          |            |       |          |            |       |          |            |        |                           |           |       |                     |           |       |                     |           |       |                      |                 |       |                      |                 |       |                    |            |       |                      |            |  |     |  |       |                      |            |  |     |  |       |                   |            |       |                      |                 |  |       |  |       |                   |            |       |         |           |       |         |           |       |         |           |       |         |           |       |         |           |       |         |           |       |         |           |       |         |           |       |         |           |       |         |           |       |         |           |       |         |           |       |         |           |       |         |            |
| C7623  | CAP_603   | sync[11B5]      |  |         |           |       |         |           |       |         |            |       |         |            |       |         |            |       |         |            |       |         |            |       |         |            |       |         |            |       |         |            |       |         |            |       |         |            |       |         |            |       |         |            |       |         |            |       |         |            |       |         |            |       |         |            |        |         |           |       |                      |           |       |         |           |       |                    |           |       |                    |           |       |                   |           |       |                      |           |       |          |           |       |               |           |       |                     |            |       |         |           |       |              |            |        |          |            |        |          |            |        |          |            |        |          |            |        |          |            |        |          |            |        |          |            |        |          |            |        |          |            |        |          |            |        |          |            |        |           |            |        |                  |            |        |         |            |        |         |            |       |         |            |       |         |            |       |         |            |       |         |            |       |         |            |       |                  |            |       |         |            |       |         |            |       |                  |            |       |         |            |       |         |            |       |                        |           |       |                        |           |       |                        |            |       |           |            |        |                     |           |        |                     |           |       |                           |           |       |                                |           |       |                           |           |       |                                      |           |       |                                      |           |       |                               |            |       |                      |            |  |   |  |       |                     |           |       |                     |           |       |          |           |       |                     |           |       |          |           |       |          |           |       |          |           |       |              |            |       |          |            |       |          |            |       |          |            |        |                           |           |       |                     |           |       |                     |           |       |                      |                 |       |                      |                 |       |                    |            |       |                      |            |  |     |  |       |                      |            |  |     |  |       |                   |            |       |                      |                 |  |       |  |       |                   |            |       |         |           |       |         |           |       |         |           |       |         |           |       |         |           |       |         |           |       |         |           |       |         |           |       |         |           |       |         |           |       |         |           |       |         |           |       |         |           |       |         |            |
| C7624  | CAP_402   | sync[11B5]      |  |         |           |       |         |           |       |         |            |       |         |            |       |         |            |       |         |            |       |         |            |       |         |            |       |         |            |       |         |            |       |         |            |       |         |            |       |         |            |       |         |            |       |         |            |       |         |            |       |         |            |       |         |            |        |         |           |       |                      |           |       |         |           |       |                    |           |       |                    |           |       |                   |           |       |                      |           |       |          |           |       |               |           |       |                     |            |       |         |           |       |              |            |        |          |            |        |          |            |        |          |            |        |          |            |        |          |            |        |          |            |        |          |            |        |          |            |        |          |            |        |          |            |        |          |            |        |           |            |        |                  |            |        |         |            |        |         |            |       |         |            |       |         |            |       |         |            |       |         |            |       |         |            |       |                  |            |       |         |            |       |         |            |       |                  |            |       |         |            |       |         |            |       |                        |           |       |                        |           |       |                        |            |       |           |            |        |                     |           |        |                     |           |       |                           |           |       |                                |           |       |                           |           |       |                                      |           |       |                                      |           |       |                               |            |       |                      |            |  |   |  |       |                     |           |       |                     |           |       |          |           |       |                     |           |       |          |           |       |          |           |       |          |           |       |              |            |       |          |            |       |          |            |       |          |            |        |                           |           |       |                     |           |       |                     |           |       |                      |                 |       |                      |                 |       |                    |            |       |                      |            |  |     |  |       |                      |            |  |     |  |       |                   |            |       |                      |                 |  |       |  |       |                   |            |       |         |           |       |         |           |       |         |           |       |         |           |       |         |           |       |         |           |       |         |           |       |         |           |       |         |           |       |         |           |       |         |           |       |         |           |       |         |           |       |         |            |
| C7625  | CAP_P_CASE-D2-LF  | sync[11D4]      |  |         |           |       |         |           |       |         |            |       |         |            |       |         |            |       |         |            |       |         |            |       |         |            |       |         |            |       |         |            |       |         |            |       |         |            |       |         |            |       |         |            |       |         |            |       |         |            |       |         |            |       |         |            |        |         |           |       |                      |           |       |         |           |       |                    |           |       |                    |           |       |                   |           |       |                      |           |       |          |           |       |               |           |       |                     |            |       |         |           |       |              |            |        |          |            |        |          |            |        |          |            |        |          |            |        |          |            |        |          |            |        |          |            |        |          |            |        |          |            |        |          |            |        |          |            |        |           |            |        |                  |            |        |         |            |        |         |            |       |         |            |       |         |            |       |         |            |       |         |            |       |         |            |       |                  |            |       |         |            |       |         |            |       |                  |            |       |         |            |       |         |            |       |                        |           |       |                        |           |       |                        |            |       |           |            |        |                     |           |        |                     |           |       |                           |           |       |                                |           |       |                           |           |       |                                      |           |       |                                      |           |       |                               |            |       |                      |            |  |   |  |       |                     |           |       |                     |           |       |          |           |       |                     |           |       |          |           |       |          |           |       |          |           |       |              |            |       |          |            |       |          |            |       |          |            |        |                           |           |       |                     |           |       |                     |           |       |                      |                 |       |                      |                 |       |                    |            |       |                      |            |  |     |  |       |                      |            |  |     |  |       |                   |            |       |                      |                 |  |       |  |       |                   |            |       |         |           |       |         |           |       |         |           |       |         |           |       |         |           |       |         |           |       |         |           |       |         |           |       |         |           |       |         |           |       |         |           |       |         |           |       |         |           |       |         |            |
| C7650  | CAP_603   | sync[11B2]      |  |         |           |       |         |           |       |         |            |       |         |            |       |         |            |       |         |            |       |         |            |       |         |            |       |         |            |       |         |            |       |         |            |       |         |            |       |         |            |       |         |            |       |         |            |       |         |            |       |         |            |       |         |            |        |         |           |       |                      |           |       |         |           |       |                    |           |       |                    |           |       |                   |           |       |                      |           |       |          |           |       |               |           |       |                     |            |       |         |           |       |              |            |        |          |            |        |          |            |        |          |            |        |          |            |        |          |            |        |          |            |        |          |            |        |          |            |        |          |            |        |          |            |        |          |            |        |           |            |        |                  |            |        |         |            |        |         |            |       |         |            |       |         |            |       |         |            |       |         |            |       |         |            |       |                  |            |       |         |            |       |         |            |       |                  |            |       |         |            |       |         |            |       |                        |           |       |                        |           |       |                        |            |       |           |            |        |                     |           |        |                     |           |       |                           |           |       |                                |           |       |                           |           |       |                                      |           |       |                                      |           |       |                               |            |       |                      |            |  |   |  |       |                     |           |       |                     |           |       |          |           |       |                     |           |       |          |           |       |          |           |       |          |           |       |              |            |       |          |            |       |          |            |       |          |            |        |                           |           |       |                     |           |       |                     |           |       |                      |                 |       |                      |                 |       |                    |            |       |                      |            |  |     |  |       |                      |            |  |     |  |       |                   |            |       |                      |                 |  |       |  |       |                   |            |       |         |           |       |         |           |       |         |           |       |         |           |       |         |           |       |         |           |       |         |           |       |         |           |       |         |           |       |         |           |       |         |           |       |         |           |       |         |           |       |         |            |
| C7651  | CAP_603   | sync[11B2]      |  |         |           |       |         |           |       |         |            |       |         |            |       |         |            |       |         |            |       |         |            |       |         |            |       |         |            |       |         |            |       |         |            |       |         |            |       |         |            |       |         |            |       |         |            |       |         |            |       |         |            |       |         |            |        |         |           |       |                      |           |       |         |           |       |                    |           |       |                    |           |       |                   |           |       |                      |           |       |          |           |       |               |           |       |                     |            |       |         |           |       |              |            |        |          |            |        |          |            |        |          |            |        |          |            |        |          |            |        |          |            |        |          |            |        |          |            |        |          |            |        |          |            |        |          |            |        |           |            |        |                  |            |        |         |            |        |         |            |       |         |            |       |         |            |       |         |            |       |         |            |       |         |            |       |                  |            |       |         |            |       |         |            |       |                  |            |       |         |            |       |         |            |       |                        |           |       |                        |           |       |                        |            |       |           |            |        |                     |           |        |                     |           |       |                           |           |       |                                |           |       |                           |           |       |                                      |           |       |                                      |           |       |                               |            |       |                      |            |  |   |  |       |                     |           |       |                     |           |       |          |           |       |                     |           |       |          |           |       |          |           |       |          |           |       |              |            |       |          |            |       |          |            |       |          |            |        |                           |           |       |                     |           |       |                     |           |       |                      |                 |       |                      |                 |       |                    |            |       |                      |            |  |     |  |       |                      |            |  |     |  |       |                   |            |       |                      |                 |  |       |  |       |                   |            |       |         |           |       |         |           |       |         |           |       |         |           |       |         |           |       |         |           |       |         |           |       |         |           |       |         |           |       |         |           |       |         |           |       |         |           |       |         |           |       |         |            |
| C7652  | CAP_P_CASE-C2-SM  | sync[11B1]      |  |         |           |       |         |           |       |         |            |       |         |            |       |         |            |       |         |            |       |         |            |       |         |            |       |         |            |       |         |            |       |         |            |       |         |            |       |         |            |       |         |            |       |         |            |       |         |            |       |         |            |       |         |            |        |         |           |       |                      |           |       |         |           |       |                    |           |       |                    |           |       |                   |           |       |                      |           |       |          |           |       |               |           |       |                     |            |       |         |           |       |              |            |        |          |            |        |          |            |        |          |            |        |          |            |        |          |            |        |          |            |        |          |            |        |          |            |        |          |            |        |          |            |        |          |            |        |           |            |        |                  |            |        |         |            |        |         |            |       |         |            |       |         |            |       |         |            |       |         |            |       |         |            |       |                  |            |       |         |            |       |         |            |       |                  |            |       |         |            |       |         |            |       |                        |           |       |                        |           |       |                        |            |       |           |            |        |                     |           |        |                     |           |       |                           |           |       |                                |           |       |                           |           |       |                                      |           |       |                                      |           |       |                               |            |       |                      |            |  |   |  |       |                     |           |       |                     |           |       |          |           |       |                     |           |       |          |           |       |          |           |       |          |           |       |              |            |       |          |            |       |          |            |       |          |            |        |                           |           |       |                     |           |       |                     |           |       |                      |                 |       |                      |                 |       |                    |            |       |                      |            |  |     |  |       |                      |            |  |     |  |       |                   |            |       |                      |                 |  |       |  |       |                   |            |       |         |           |       |         |           |       |         |           |       |         |           |       |         |           |       |         |           |       |         |           |       |         |           |       |         |           |       |         |           |       |         |           |       |         |           |       |         |           |       |         |            |
| C7653  | CAP_402   | sync[11B3]      |  |         |           |       |         |           |       |         |            |       |         |            |       |         |            |       |         |            |       |         |            |       |         |            |       |         |            |       |         |            |       |         |            |       |         |            |       |         |            |       |         |            |       |         |            |       |         |            |       |         |            |       |         |            |        |         |           |       |                      |           |       |         |           |       |                    |           |       |                    |           |       |                   |           |       |                      |           |       |          |           |       |               |           |       |                     |            |       |         |           |       |              |            |        |          |            |        |          |            |        |          |            |        |          |            |        |          |            |        |          |            |        |          |            |        |          |            |        |          |            |        |          |            |        |          |            |        |           |            |        |                  |            |        |         |            |        |         |            |       |         |            |       |         |            |       |         |            |       |         |            |       |         |            |       |                  |            |       |         |            |       |         |            |       |                  |            |       |         |            |       |         |            |       |                        |           |       |                        |           |       |                        |            |       |           |            |        |                     |           |        |                     |           |       |                           |           |       |                                |           |       |                           |           |       |                                      |           |       |                                      |           |       |                               |            |       |                      |            |  |   |  |       |                     |           |       |                     |           |       |          |           |       |                     |           |       |          |           |       |          |           |       |          |           |       |              |            |       |          |            |       |          |            |       |          |            |        |                           |           |       |                     |           |       |                     |           |       |                      |                 |       |                      |                 |       |                    |            |       |                      |            |  |     |  |       |                      |            |  |     |  |       |                   |            |       |                      |                 |  |       |  |       |                   |            |       |         |           |       |         |           |       |         |           |       |         |           |       |         |           |       |         |           |       |         |           |       |         |           |       |         |           |       |         |           |       |         |           |       |         |           |       |         |           |       |         |            |
| C7660  | CAP_402   | sync[11A3]      |  |         |           |       |         |           |       |         |            |       |         |            |       |         |            |       |         |            |       |         |            |       |         |            |       |         |            |       |         |            |       |         |            |       |         |            |       |         |            |       |         |            |       |         |            |       |         |            |       |         |            |       |         |            |        |         |           |       |                      |           |       |         |           |       |                    |           |       |                    |           |       |                   |           |       |                      |           |       |          |           |       |               |           |       |                     |            |       |         |           |       |              |            |        |          |            |        |          |            |        |          |            |        |          |            |        |          |            |        |          |            |        |          |            |        |          |            |        |          |            |        |          |            |        |          |            |        |           |            |        |                  |            |        |         |            |        |         |            |       |         |            |       |         |            |       |         |            |       |         |            |       |         |            |       |                  |            |       |         |            |       |         |            |       |                  |            |       |         |            |       |         |            |       |                        |           |       |                        |           |       |                        |            |       |           |            |        |                     |           |        |                     |           |       |                           |           |       |                                |           |       |                           |           |       |                                      |           |       |                                      |           |       |                               |            |       |                      |            |  |   |  |       |                     |           |       |                     |           |       |          |           |       |                     |           |       |          |           |       |          |           |       |          |           |       |              |            |       |          |            |       |          |            |       |          |            |        |                           |           |       |                     |           |       |                     |           |       |                      |                 |       |                      |                 |       |                    |            |       |                      |            |  |     |  |       |                      |            |  |     |  |       |                   |            |       |                      |                 |  |       |  |       |                   |            |       |         |           |       |         |           |       |         |           |       |         |           |       |         |           |       |         |           |       |         |           |       |         |           |       |         |           |       |         |           |       |         |           |       |         |           |       |         |           |       |         |            |
| D4600  | DIODE_SCHOT_3P_A_SC-75  | sync[8A3]       |  |         |           |       |         |           |       |         |            |       |         |            |       |         |            |       |         |            |       |         |            |       |         |            |       |         |            |       |         |            |       |         |            |       |         |            |       |         |            |       |         |            |       |         |            |       |         |            |       |         |            |       |         |            |        |         |           |       |                      |           |       |         |           |       |                    |           |       |                    |           |       |                   |           |       |                      |           |       |          |           |       |               |           |       |                     |            |       |         |           |       |              |            |        |          |            |        |          |            |        |          |            |        |          |            |        |          |            |        |          |            |        |          |            |        |          |            |        |          |            |        |          |            |        |          |            |        |           |            |        |                  |            |        |         |            |        |         |            |       |         |            |       |         |            |       |         |            |       |         |            |       |         |            |       |                  |            |       |         |            |       |         |            |       |                  |            |       |         |            |       |         |            |       |                        |           |       |                        |           |       |                        |            |       |           |            |        |                     |           |        |                     |           |       |                           |           |       |                                |           |       |                           |           |       |                                      |           |       |                                      |           |       |                               |            |       |                      |            |  |   |  |       |                     |           |       |                     |           |       |          |           |       |                     |           |       |          |           |       |          |           |       |          |           |       |              |            |       |          |            |       |          |            |       |          |            |        |                           |           |       |                     |           |       |                     |           |       |                      |                 |       |                      |                 |       |                    |            |       |                      |            |  |     |  |       |                      |            |  |     |  |       |                   |            |       |                      |                 |  |       |  |       |                   |            |       |         |           |       |         |           |       |         |           |       |         |           |       |         |           |       |         |           |       |         |           |       |         |           |       |         |           |       |         |           |       |         |           |       |         |           |       |         |           |       |         |            |
| D4610  | DIODE_SCHOT_3P_A_SC-75  | sync[8C4]       |  |         |           |       |         |           |       |         |            |       |         |            |       |         |            |       |         |            |       |         |            |       |         |            |       |         |            |       |         |            |       |         |            |       |         |            |       |         |            |       |         |            |       |         |            |       |         |            |       |         |            |       |         |            |        |         |           |       |                      |           |       |         |           |       |                    |           |       |                    |           |       |                   |           |       |                      |           |       |          |           |       |               |           |       |                     |            |       |         |           |       |              |            |        |          |            |        |          |            |        |          |            |        |          |            |        |          |            |        |          |            |        |          |            |        |          |            |        |          |            |        |          |            |        |          |            |        |           |            |        |                  |            |        |         |            |        |         |            |       |         |            |       |         |            |       |         |            |       |         |            |       |         |            |       |                  |            |       |         |            |       |         |            |       |                  |            |       |         |            |       |         |            |       |                        |           |       |                        |           |       |                        |            |       |           |            |        |                     |           |        |                     |           |       |                           |           |       |                                |           |       |                           |           |       |                                      |           |       |                                      |           |       |                               |            |       |                      |            |  |   |  |       |                     |           |       |                     |           |       |          |           |       |                     |           |       |          |           |       |          |           |       |          |           |       |              |            |       |          |            |       |          |            |       |          |            |        |                           |           |       |                     |           |       |                     |           |       |                      |                 |       |                      |                 |       |                    |            |       |                      |            |  |     |  |       |                      |            |  |     |  |       |                   |            |       |                      |                 |  |       |  |       |                   |            |       |         |           |       |         |           |       |         |           |       |         |           |       |         |           |       |         |           |       |         |           |       |         |           |       |         |           |       |         |           |       |         |           |       |         |           |       |         |           |       |         |            |
| D6900  | DIODE_SCHOT_3P_A_SC-75  | sync[10C7]      |  |         |           |       |         |           |       |         |            |       |         |            |       |         |            |       |         |            |       |         |            |       |         |            |       |         |            |       |         |            |       |         |            |       |         |            |       |         |            |       |         |            |       |         |            |       |         |            |       |         |            |       |         |            |        |         |           |       |                      |           |       |         |           |       |                    |           |       |                    |           |       |                   |           |       |                      |           |       |          |           |       |               |           |       |                     |            |       |         |           |       |              |            |        |          |            |        |          |            |        |          |            |        |          |            |        |          |            |        |          |            |        |          |            |        |          |            |        |          |            |        |          |            |        |          |            |        |           |            |        |                  |            |        |         |            |        |         |            |       |         |            |       |         |            |       |         |            |       |         |            |       |         |            |       |                  |            |       |         |            |       |         |            |       |                  |            |       |         |            |       |         |            |       |                        |           |       |                        |           |       |                        |            |       |           |            |        |                     |           |        |                     |           |       |                           |           |       |                                |           |       |                           |           |       |                                      |           |       |                                      |           |       |                               |            |       |                      |            |  |   |  |       |                     |           |       |                     |           |       |          |           |       |                     |           |       |          |           |       |          |           |       |          |           |       |              |            |       |          |            |       |          |            |       |          |            |        |                           |           |       |                     |           |       |                     |           |       |                      |                 |       |                      |                 |       |                    |            |       |                      |            |  |     |  |       |                      |            |  |     |  |       |                   |            |       |                      |                 |  |       |  |       |                   |            |       |         |           |       |         |           |       |         |           |       |         |           |       |         |           |       |         |           |       |         |           |       |         |           |       |         |           |       |         |           |       |         |           |       |         |           |       |         |           |       |         |            |
| F6900  | FUSE_1206   | sync[10D5]      |  |         |           |       |         |           |       |         |            |       |         |            |       |         |            |       |         |            |       |         |            |       |         |            |       |         |            |       |         |            |       |         |            |       |         |            |       |         |            |       |         |            |       |         |            |       |         |            |       |         |            |       |         |            |        |         |           |       |                      |           |       |         |           |       |                    |           |       |                    |           |       |                   |           |       |                      |           |       |          |           |       |               |           |       |                     |            |       |         |           |       |              |            |        |          |            |        |          |            |        |          |            |        |          |            |        |          |            |        |          |            |        |          |            |        |          |            |        |          |            |        |          |            |        |          |            |        |           |            |        |                  |            |        |         |            |        |         |            |       |         |            |       |         |            |       |         |            |       |         |            |       |         |            |       |                  |            |       |         |            |       |         |            |       |                  |            |       |         |            |       |         |            |       |                        |           |       |                        |           |       |                        |            |       |           |            |        |                     |           |        |                     |           |       |                           |           |       |                                |           |       |                           |           |       |                                      |           |       |                                      |           |       |                               |            |       |                      |            |  |   |  |       |                     |           |       |                     |           |       |          |           |       |                     |           |       |          |           |       |          |           |       |          |           |       |              |            |       |          |            |       |          |            |       |          |            |        |                           |           |       |                     |           |       |                     |           |       |                      |                 |       |                      |                 |       |                    |            |       |                      |            |  |     |  |       |                      |            |  |     |  |       |                   |            |       |                      |                 |  |       |  |       |                   |            |       |         |           |       |         |           |       |         |           |       |         |           |       |         |           |       |         |           |       |         |           |       |         |           |       |         |           |       |         |           |       |         |           |       |         |           |       |         |           |       |         |            |
| FL3600 | FILTER_4P_1210-4SM1   | sync[7C3]       |  |         |           |       |         |           |       |         |            |       |         |            |       |         |            |       |         |            |       |         |            |       |         |            |       |         |            |       |         |            |       |         |            |       |         |            |       |         |            |       |         |            |       |         |            |       |         |            |       |         |            |       |         |            |        |         |           |       |                      |           |       |         |           |       |                    |           |       |                    |           |       |                   |           |       |                      |           |       |          |           |       |               |           |       |                     |            |       |         |           |       |              |            |        |          |            |        |          |            |        |          |            |        |          |            |        |          |            |        |          |            |        |          |            |        |          |            |        |          |            |        |          |            |        |          |            |        |           |            |        |                  |            |        |         |            |        |         |            |       |         |            |       |         |            |       |         |            |       |         |            |       |         |            |       |                  |            |       |         |            |       |         |            |       |                  |            |       |         |            |       |         |            |       |                        |           |       |                        |           |       |                        |            |       |           |            |        |                     |           |        |                     |           |       |                           |           |       |                                |           |       |                           |           |       |                                      |           |       |                                      |           |       |                               |            |       |                      |            |  |   |  |       |                     |           |       |                     |           |       |          |           |       |                     |           |       |          |           |       |          |           |       |          |           |       |              |            |       |          |            |       |          |            |       |          |            |        |                           |           |       |                     |           |       |                     |           |       |                      |                 |       |                      |                 |       |                    |            |       |                      |            |  |     |  |       |                      |            |  |     |  |       |                   |            |       |                      |                 |  |       |  |       |                   |            |       |         |           |       |         |           |       |         |           |       |         |           |       |         |           |       |         |           |       |         |           |       |         |           |       |         |           |       |         |           |       |         |           |       |         |           |       |         |           |       |         |            |
| FL3601 | FILTER_4P_1210-4SM1   | sync[7B3]       |  |         |           |       |         |           |       |         |            |       |         |            |       |         |            |       |         |            |       |         |            |       |         |            |       |         |            |       |         |            |       |         |            |       |         |            |       |         |            |       |         |            |       |         |            |       |         |            |       |         |            |       |         |            |        |         |           |       |                      |           |       |         |           |       |                    |           |       |                    |           |       |                   |           |       |                      |           |       |          |           |       |               |           |       |                     |            |       |         |           |       |              |            |        |          |            |        |          |            |        |          |            |        |          |            |        |          |            |        |          |            |        |          |            |        |          |            |        |          |            |        |          |            |        |          |            |        |           |            |        |                  |            |        |         |            |        |         |            |       |         |            |       |         |            |       |         |            |       |         |            |       |         |            |       |                  |            |       |         |            |       |         |            |       |                  |            |       |         |            |       |         |            |       |                        |           |       |                        |           |       |                        |            |       |           |            |        |                     |           |        |                     |           |       |                           |           |       |                                |           |       |                           |           |       |                                      |           |       |                                      |           |       |                               |            |       |                      |            |  |   |  |       |                     |           |       |                     |           |       |          |           |       |                     |           |       |          |           |       |          |           |       |          |           |       |              |            |       |          |            |       |          |            |       |          |            |        |                           |           |       |                     |           |       |                     |           |       |                      |                 |       |                      |                 |       |                    |            |       |                      |            |  |     |  |       |                      |            |  |     |  |       |                   |            |       |                      |                 |  |       |  |       |                   |            |       |         |           |       |         |           |       |         |           |       |         |           |       |         |           |       |         |           |       |         |           |       |         |           |       |         |           |       |         |           |       |         |           |       |         |           |       |         |           |       |         |            |
| J3400  | CON_F52RT_D2MT_SM_F-ST-SM   | sync[5C5]       |  |         |           |       |         |           |       |         |            |       |         |            |       |         |            |       |         |            |       |         |            |       |         |            |       |         |            |       |         |            |       |         |            |       |         |            |       |         |            |       |         |            |       |         |            |       |         |            |       |         |            |       |         |            |        |         |           |       |                      |           |       |         |           |       |                    |           |       |                    |           |       |                   |           |       |                      |           |       |          |           |       |               |           |       |                     |            |       |         |           |       |              |            |        |          |            |        |          |            |        |          |            |        |          |            |        |          |            |        |          |            |        |          |            |        |          |            |        |          |            |        |          |            |        |          |            |        |           |            |        |                  |            |        |         |            |        |         |            |       |         |            |       |         |            |       |         |            |       |         |            |       |         |            |       |                  |            |       |         |            |       |         |            |       |                  |            |       |         |            |       |         |            |       |                        |           |       |                        |           |       |                        |            |       |           |            |        |                     |           |        |                     |           |       |                           |           |       |                                |           |       |                           |           |       |                                      |           |       |                                      |           |       |                               |            |       |                      |            |  |   |  |       |                     |           |       |                     |           |       |          |           |       |                     |           |       |          |           |       |          |           |       |          |           |       |              |            |       |          |            |       |          |            |       |          |            |        |                           |           |       |                     |           |       |                     |           |       |                      |                 |       |                      |                 |       |                    |            |       |                      |            |  |     |  |       |                      |            |  |     |  |       |                   |            |       |                      |                 |  |       |  |       |                   |            |       |         |           |       |         |           |       |         |           |       |         |           |       |         |           |       |         |           |       |         |           |       |         |           |       |         |           |       |         |           |       |         |           |       |         |           |       |         |           |       |         |            |
| J3500  | CON_F26RT_S2MT_SM_M5_9_F-RT-SM  | sync[6D2]       |  |         |           |       |         |           |       |         |            |       |         |            |       |         |            |       |         |            |       |         |            |       |         |            |       |         |            |       |         |            |       |         |            |       |         |            |       |         |            |       |         |            |       |         |            |       |         |            |       |         |            |       |         |            |        |         |           |       |                      |           |       |         |           |       |                    |           |       |                    |           |       |                   |           |       |                      |           |       |          |           |       |               |           |       |                     |            |       |         |           |       |              |            |        |          |            |        |          |            |        |          |            |        |          |            |        |          |            |        |          |            |        |          |            |        |          |            |        |          |            |        |          |            |        |          |            |        |           |            |        |                  |            |        |         |            |        |         |            |       |         |            |       |         |            |       |         |            |       |         |            |       |         |            |       |                  |            |       |         |            |       |         |            |       |                  |            |       |         |            |       |         |            |       |                        |           |       |                        |           |       |                        |            |       |           |            |        |                     |           |        |                     |           |       |                           |           |       |                                |           |       |                           |           |       |                                      |           |       |                                      |           |       |                               |            |       |                      |            |  |   |  |       |                     |           |       |                     |           |       |          |           |       |                     |           |       |          |           |       |          |           |       |          |           |       |              |            |       |          |            |       |          |            |       |          |            |        |                           |           |       |                     |           |       |                     |           |       |                      |                 |       |                      |                 |       |                    |            |       |                      |            |  |     |  |       |                      |            |  |     |  |       |                   |            |       |                      |                 |  |       |  |       |                   |            |       |         |           |       |         |           |       |         |           |       |         |           |       |         |           |       |         |           |       |         |           |       |         |           |       |         |           |       |         |           |       |         |           |       |         |           |       |         |           |       |         |            |
| J3600  | CON_F80ST_D4MT_SM_F-ST-SM   | sync[7C4]       |  |         |           |       |         |           |       |         |            |       |         |            |       |         |            |       |         |            |       |         |            |       |         |            |       |         |            |       |         |            |       |         |            |       |         |            |       |         |            |       |         |            |       |         |            |       |         |            |       |         |            |       |         |            |        |         |           |       |                      |           |       |         |           |       |                    |           |       |                    |           |       |                   |           |       |                      |           |       |          |           |       |               |           |       |                     |            |       |         |           |       |              |            |        |          |            |        |          |            |        |          |            |        |          |            |        |          |            |        |          |            |        |          |            |        |          |            |        |          |            |        |          |            |        |          |            |        |           |            |        |                  |            |        |         |            |        |         |            |       |         |            |       |         |            |       |         |            |       |         |            |       |         |            |       |                  |            |       |         |            |       |         |            |       |                  |            |       |         |            |       |         |            |       |                        |           |       |                        |           |       |                        |            |       |           |            |        |                     |           |        |                     |           |       |                           |           |       |                                |           |       |                           |           |       |                                      |           |       |                                      |           |       |                               |            |       |                      |            |  |   |  |       |                     |           |       |                     |           |       |          |           |       |                     |           |       |          |           |       |          |           |       |          |           |       |              |            |       |          |            |       |          |            |       |          |            |        |                           |           |       |                     |           |       |                     |           |       |                      |                 |       |                      |                 |       |                    |            |       |                      |            |  |     |  |       |                      |            |  |     |  |       |                   |            |       |                      |                 |  |       |  |       |                   |            |       |         |           |       |         |           |       |         |           |       |         |           |       |         |           |       |         |           |       |         |           |       |         |           |       |         |           |       |         |           |       |         |           |       |         |           |       |         |           |       |         |            |
| J4600  | CON_F4RT_USB_S2MT_TH_F-RT-TH-USB-LFT  | sync[8B2]       |  |         |           |       |         |           |       |         |            |       |         |            |       |         |            |       |         |            |       |         |            |       |         |            |       |         |            |       |         |            |       |         |            |       |         |            |       |         |            |       |         |            |       |         |            |       |         |            |       |         |            |       |         |            |        |         |           |       |                      |           |       |         |           |       |                    |           |       |                    |           |       |                   |           |       |                      |           |       |          |           |       |               |           |       |                     |            |       |         |           |       |              |            |        |          |            |        |          |            |        |          |            |        |          |            |        |          |            |        |          |            |        |          |            |        |          |            |        |          |            |        |          |            |        |          |            |        |           |            |        |                  |            |        |         |            |        |         |            |       |         |            |       |         |            |       |         |            |       |         |            |       |         |            |       |                  |            |       |         |            |       |         |            |       |                  |            |       |         |            |       |         |            |       |                        |           |       |                        |           |       |                        |            |       |           |            |        |                     |           |        |                     |           |       |                           |           |       |                                |           |       |                           |           |       |                                      |           |       |                                      |           |       |                               |            |       |                      |            |  |   |  |       |                     |           |       |                     |           |       |          |           |       |                     |           |       |          |           |       |          |           |       |          |           |       |              |            |       |          |            |       |          |            |       |          |            |        |                           |           |       |                     |           |       |                     |           |       |                      |                 |       |                      |                 |       |                    |            |       |                      |            |  |     |  |       |                      |            |  |     |  |       |                   |            |       |                      |                 |  |       |  |       |                   |            |       |         |           |       |         |           |       |         |           |       |         |           |       |         |           |       |         |           |       |         |           |       |         |           |       |         |           |       |         |           |       |         |           |       |         |           |       |         |           |       |         |            |
| J4610  | CON_F4RT_USB_S2MT_TH_F-RT-TH-USB-LFT  | sync[8C2]       |  |         |           |       |         |           |       |         |            |       |         |            |       |         |            |       |         |            |       |         |            |       |         |            |       |         |            |       |         |            |       |         |            |       |         |            |       |         |            |       |         |            |       |         |            |       |         |            |       |         |            |       |         |            |        |         |           |       |                      |           |       |         |           |       |                    |           |       |                    |           |       |                   |           |       |                      |           |       |          |           |       |               |           |       |                     |            |       |         |           |       |              |            |        |          |            |        |          |            |        |          |            |        |          |            |        |          |            |        |          |            |        |          |            |        |          |            |        |          |            |        |          |            |        |          |            |        |           |            |        |                  |            |        |         |            |        |         |            |       |         |            |       |         |            |       |         |            |       |         |            |       |         |            |       |                  |            |       |         |            |       |         |            |       |                  |            |       |         |            |       |         |            |       |                        |           |       |                        |           |       |                        |            |       |           |            |        |                     |           |        |                     |           |       |                           |           |       |                                |           |       |                           |           |       |                                      |           |       |                                      |           |       |                               |            |       |                      |            |  |   |  |       |                     |           |       |                     |           |       |          |           |       |                     |           |       |          |           |       |          |           |       |          |           |       |              |            |       |          |            |       |          |            |       |          |            |        |                           |           |       |                     |           |       |                     |           |       |                      |                 |       |                      |                 |       |                    |            |       |                      |            |  |     |  |       |                      |            |  |     |  |       |                   |            |       |                      |                 |  |       |  |       |                   |            |       |         |           |       |         |           |       |         |           |       |         |           |       |         |           |       |         |           |       |         |           |       |         |           |       |         |           |       |         |           |       |         |           |       |         |           |       |         |           |       |         |            |
| J6900  | CON_F5RT_S2MT_TH3_F-RT-TH-MG3   | sync[10D8]      |  |         |           |       |         |           |       |         |            |       |         |            |       |         |            |       |         |            |       |         |            |       |         |            |       |         |            |       |         |            |       |         |            |       |         |            |       |         |            |       |         |            |       |         |            |       |         |            |       |         |            |       |         |            |        |         |           |       |                      |           |       |         |           |       |                    |           |       |                    |           |       |                   |           |       |                      |           |       |          |           |       |               |           |       |                     |            |       |         |           |       |              |            |        |          |            |        |          |            |        |          |            |        |          |            |        |          |            |        |          |            |        |          |            |        |          |            |        |          |            |        |          |            |        |          |            |        |           |            |        |                  |            |        |         |            |        |         |            |       |         |            |       |         |            |       |         |            |       |         |            |       |         |            |       |                  |            |       |         |            |       |         |            |       |                  |            |       |         |            |       |         |            |       |                        |           |       |                        |           |       |                        |            |       |           |            |        |                     |           |        |                     |           |       |                           |           |       |                                |           |       |                           |           |       |                                      |           |       |                                      |           |       |                               |            |       |                      |            |  |   |  |       |                     |           |       |                     |           |       |          |           |       |                     |           |       |          |           |       |          |           |       |          |           |       |              |            |       |          |            |       |          |            |       |          |            |        |                           |           |       |                     |           |       |                     |           |       |                      |                 |       |                      |                 |       |                    |            |       |                      |            |  |     |  |       |                      |            |  |     |  |       |                   |            |       |                      |                 |  |       |  |       |                   |            |       |         |           |       |         |           |       |         |           |       |         |           |       |         |           |       |         |           |       |         |           |       |         |           |       |         |           |       |         |           |       |         |           |       |         |           |       |         |           |       |         |            |
| J9615  | CON_M8RT_S_SM_M-RT-S  | sync[12C5]      |  |         |           |       |         |           |       |         |            |       |         |            |       |         |            |       |         |            |       |         |            |       |         |            |       |         |            |       |         |            |       |         |            |       |         |            |       |         |            |       |         |            |       |         |            |       |         |            |       |         |            |       |         |            |        |         |           |       |                      |           |       |         |           |       |                    |           |       |                    |           |       |                   |           |       |                      |           |       |          |           |       |               |           |       |                     |            |       |         |           |       |              |            |        |          |            |        |          |            |        |          |            |        |          |            |        |          |            |        |          |            |        |          |            |        |          |            |        |          |            |        |          |            |        |          |            |        |           |            |        |                  |            |        |         |            |        |         |            |       |         |            |       |         |            |       |         |            |       |         |            |       |         |            |       |                  |            |       |         |            |       |         |            |       |                  |            |       |         |            |       |         |            |       |                        |           |       |                        |           |       |                        |            |       |           |            |        |                     |           |        |                     |           |       |                           |           |       |                                |           |       |                           |           |       |                                      |           |       |                                      |           |       |                               |            |       |                      |            |  |   |  |       |                     |           |       |                     |           |       |          |           |       |                     |           |       |          |           |       |          |           |       |          |           |       |              |            |       |          |            |       |          |            |       |          |            |        |                           |           |       |                     |           |       |                     |           |       |                      |                 |       |                      |                 |       |                    |            |       |                      |            |  |     |  |       |                      |            |  |     |  |       |                   |            |       |                      |                 |  |       |  |       |                   |            |       |         |           |       |         |           |       |         |           |       |         |           |       |         |           |       |         |           |       |         |           |       |         |           |       |         |           |       |         |           |       |         |           |       |         |           |       |         |           |       |         |            |
|        | M   |                 |  |         |           |       |         |           |       |         |            |       |         |            |       |         |            |       |         |            |       |         |            |       |         |            |       |         |            |       |         |            |       |         |            |       |         |            |       |         |            |       |         |            |       |         |            |       |         |            |       |         |            |       |         |            |        |         |           |       |                      |           |       |         |           |       |                    |           |       |                    |           |       |                   |           |       |                      |           |       |          |           |       |               |           |       |                     |            |       |         |           |       |              |            |        |          |            |        |          |            |        |          |            |        |          |            |        |          |            |        |          |            |        |          |            |        |          |            |        |          |            |        |          |            |        |          |            |        |           |            |        |                  |            |        |         |            |        |         |            |       |         |            |       |         |            |       |         |            |       |         |            |       |         |            |       |                  |            |       |         |            |       |         |            |       |                  |            |       |         |            |       |         |            |       |                        |           |       |                        |           |       |                        |            |       |           |            |        |                     |           |        |                     |           |       |                           |           |       |                                |           |       |                           |           |       |                                      |           |       |                                      |           |       |                               |            |       |                      |            |  |   |  |       |                     |           |       |                     |           |       |          |           |       |                     |           |       |          |           |       |          |           |       |          |           |       |              |            |       |          |            |       |          |            |       |          |            |        |                           |           |       |                     |           |       |                     |           |       |                      |                 |       |                      |                 |       |                    |            |       |                      |            |  |     |  |       |                      |            |  |     |  |       |                   |            |       |                      |                 |  |       |  |       |                   |            |       |         |           |       |         |           |       |         |           |       |         |           |       |         |           |       |         |           |       |         |           |       |         |           |       |         |           |       |         |           |       |         |           |       |         |           |       |         |           |       |         |            |
| L3400  | FILTER_4P_1210-4SM1   | sync[5B2]       |  |         |           |       |         |           |       |         |            |       |         |            |       |         |            |       |         |            |       |         |            |       |         |            |       |         |            |       |         |            |       |         |            |       |         |            |       |         |            |       |         |            |       |         |            |       |         |            |       |         |            |       |         |            |        |         |           |       |                      |           |       |         |           |       |                    |           |       |                    |           |       |                   |           |       |                      |           |       |          |           |       |               |           |       |                     |            |       |         |           |       |              |            |        |          |            |        |          |            |        |          |            |        |          |            |        |          |            |        |          |            |        |          |            |        |          |            |        |          |            |        |          |            |        |          |            |        |           |            |        |                  |            |        |         |            |        |         |            |       |         |            |       |         |            |       |         |            |       |         |            |       |         |            |       |                  |            |       |         |            |       |         |            |       |                  |            |       |         |            |       |         |            |       |                        |           |       |                        |           |       |                        |            |       |           |            |        |                     |           |        |                     |           |       |                           |           |       |                                |           |       |                           |           |       |                                      |           |       |                                      |           |       |                               |            |       |                      |            |  |   |  |       |                     |           |       |                     |           |       |          |           |       |                     |           |       |          |           |       |          |           |       |          |           |       |              |            |       |          |            |       |          |            |       |          |            |        |                           |           |       |                     |           |       |                     |           |       |                      |                 |       |                      |                 |       |                    |            |       |                      |            |  |     |  |       |                      |            |  |     |  |       |                   |            |       |                      |                 |  |       |  |       |                   |            |       |         |           |       |         |           |       |         |           |       |         |           |       |         |           |       |         |           |       |         |           |       |         |           |       |         |           |       |         |           |       |         |           |       |         |           |       |         |           |       |         |            |
| L4600  | FILTER_4P_1210-4SM1   | sync[8B4]       |  |         |           |       |         |           |       |         |            |       |         |            |       |         |            |       |         |            |       |         |            |       |         |            |       |         |            |       |         |            |       |         |            |       |         |            |       |         |            |       |         |            |       |         |            |       |         |            |       |         |            |       |         |            |        |         |           |       |                      |           |       |         |           |       |                    |           |       |                    |           |       |                   |           |       |                      |           |       |          |           |       |               |           |       |                     |            |       |         |           |       |              |            |        |          |            |        |          |            |        |          |            |        |          |            |        |          |            |        |          |            |        |          |            |        |          |            |        |          |            |        |          |            |        |          |            |        |           |            |        |                  |            |        |         |            |        |         |            |       |         |            |       |         |            |       |         |            |       |         |            |       |         |            |       |                  |            |       |         |            |       |         |            |       |                  |            |       |         |            |       |         |            |       |                        |           |       |                        |           |       |                        |            |       |           |            |        |                     |           |        |                     |           |       |                           |           |       |                                |           |       |                           |           |       |                                      |           |       |                                      |           |       |                               |            |       |                      |            |  |   |  |       |                     |           |       |                     |           |       |          |           |       |                     |           |       |          |           |       |          |           |       |          |           |       |              |            |       |          |            |       |          |            |       |          |            |        |                           |           |       |                     |           |       |                     |           |       |                      |                 |       |                      |                 |       |                    |            |       |                      |            |  |     |  |       |                      |            |  |     |  |       |                   |            |       |                      |                 |  |       |  |       |                   |            |       |         |           |       |         |           |       |         |           |       |         |           |       |         |           |       |         |           |       |         |           |       |         |           |       |         |           |       |         |           |       |         |           |       |         |           |       |         |           |       |         |            |
| L4601  | IND_0603  | sync[8B4]       |  |         |           |       |         |           |       |         |            |       |         |            |       |         |            |       |         |            |       |         |            |       |         |            |       |         |            |       |         |            |       |         |            |       |         |            |       |         |            |       |         |            |       |         |            |       |         |            |       |         |            |       |         |            |        |         |           |       |                      |           |       |         |           |       |                    |           |       |                    |           |       |                   |           |       |                      |           |       |          |           |       |               |           |       |                     |            |       |         |           |       |              |            |        |          |            |        |          |            |        |          |            |        |          |            |        |          |            |        |          |            |        |          |            |        |          |            |        |          |            |        |          |            |        |          |            |        |           |            |        |                  |            |        |         |            |        |         |            |       |         |            |       |         |            |       |         |            |       |         |            |       |         |            |       |                  |            |       |         |            |       |         |            |       |                  |            |       |         |            |       |         |            |       |                        |           |       |                        |           |       |                        |            |       |           |            |        |                     |           |        |                     |           |       |                           |           |       |                                |           |       |                           |           |       |                                      |           |       |                                      |           |       |                               |            |       |                      |            |  |   |  |       |                     |           |       |                     |           |       |          |           |       |                     |           |       |          |           |       |          |           |       |          |           |       |              |            |       |          |            |       |          |            |       |          |            |        |                           |           |       |                     |           |       |                     |           |       |                      |                 |       |                      |                 |       |                    |            |       |                      |            |  |     |  |       |                      |            |  |     |  |       |                   |            |       |                      |                 |  |       |  |       |                   |            |       |         |           |       |         |           |       |         |           |       |         |           |       |         |           |       |         |           |       |         |           |       |         |           |       |         |           |       |         |           |       |         |           |       |         |           |       |         |           |       |         |            |
| L4610  | FILTER_4P_1210-4SM1   | sync[8C4]       |  |         |           |       |         |           |       |         |            |       |         |            |       |         |            |       |         |            |       |         |            |       |         |            |       |         |            |       |         |            |       |         |            |       |         |            |       |         |            |       |         |            |       |         |            |       |         |            |       |         |            |       |         |            |        |         |           |       |                      |           |       |         |           |       |                    |           |       |                    |           |       |                   |           |       |                      |           |       |          |           |       |               |           |       |                     |            |       |         |           |       |              |            |        |          |            |        |          |            |        |          |            |        |          |            |        |          |            |        |          |            |        |          |            |        |          |            |        |          |            |        |          |            |        |          |            |        |           |            |        |                  |            |        |         |            |        |         |            |       |         |            |       |         |            |       |         |            |       |         |            |       |         |            |       |                  |            |       |         |            |       |         |            |       |                  |            |       |         |            |       |         |            |       |                        |           |       |                        |           |       |                        |            |       |           |            |        |                     |           |        |                     |           |       |                           |           |       |                                |           |       |                           |           |       |                                      |           |       |                                      |           |       |                               |            |       |                      |            |  |   |  |       |                     |           |       |                     |           |       |          |           |       |                     |           |       |          |           |       |          |           |       |          |           |       |              |            |       |          |            |       |          |            |       |          |            |        |                           |           |       |                     |           |       |                     |           |       |                      |                 |       |                      |                 |       |                    |            |       |                      |            |  |     |  |       |                      |            |  |     |  |       |                   |            |       |                      |                 |  |       |  |       |                   |            |       |         |           |       |         |           |       |         |           |       |         |           |       |         |           |       |         |           |       |         |           |       |         |           |       |         |           |       |         |           |       |         |           |       |         |           |       |         |           |       |         |            |
| L4611  | IND_0603  | sync[8D4]       |  |         |           |       |         |           |       |         |            |       |         |            |       |         |            |       |         |            |       |         |            |       |         |            |       |         |            |       |         |            |       |         |            |       |         |            |       |         |            |       |         |            |       |         |            |       |         |            |       |         |            |       |         |            |        |         |           |       |                      |           |       |         |           |       |                    |           |       |                    |           |       |                   |           |       |                      |           |       |          |           |       |               |           |       |                     |            |       |         |           |       |              |            |        |          |            |        |          |            |        |          |            |        |          |            |        |          |            |        |          |            |        |          |            |        |          |            |        |          |            |        |          |            |        |          |            |        |           |            |        |                  |            |        |         |            |        |         |            |       |         |            |       |         |            |       |         |            |       |         |            |       |         |            |       |                  |            |       |         |            |       |         |            |       |                  |            |       |         |            |       |         |            |       |                        |           |       |                        |           |       |                        |            |       |           |            |        |                     |           |        |                     |           |       |                           |           |       |                                |           |       |                           |           |       |                                      |           |       |                                      |           |       |                               |            |       |                      |            |  |   |  |       |                     |           |       |                     |           |       |          |           |       |                     |           |       |          |           |       |          |           |       |          |           |       |              |            |       |          |            |       |          |            |       |          |            |        |                           |           |       |                     |           |       |                     |           |       |                      |                 |       |                      |                 |       |                    |            |       |                      |            |  |     |  |       |                      |            |  |     |  |       |                   |            |       |                      |                 |  |       |  |       |                   |            |       |         |           |       |         |           |       |         |           |       |         |           |       |         |           |       |         |           |       |         |           |       |         |           |       |         |           |       |         |           |       |         |           |       |         |           |       |         |           |       |         |            |
| L4650  | IND_0603  | sync[8A4]       |  |         |           |       |         |           |       |         |            |       |         |            |       |         |            |       |         |            |       |         |            |       |         |            |       |         |            |       |         |            |       |         |            |       |         |            |       |         |            |       |         |            |       |         |            |       |         |            |       |         |            |       |         |            |        |         |           |       |                      |           |       |         |           |       |                    |           |       |                    |           |       |                   |           |       |                      |           |       |          |           |       |               |           |       |                     |            |       |         |           |       |              |            |        |          |            |        |          |            |        |          |            |        |          |            |        |          |            |        |          |            |        |          |            |        |          |            |        |          |            |        |          |            |        |          |            |        |           |            |        |                  |            |        |         |            |        |         |            |       |         |            |       |         |            |       |         |            |       |         |            |       |         |            |       |                  |            |       |         |            |       |         |            |       |                  |            |       |         |            |       |         |            |       |                        |           |       |                        |           |       |                        |            |       |           |            |        |                     |           |        |                     |           |       |                           |           |       |                                |           |       |                           |           |       |                                      |           |       |                                      |           |       |                               |            |       |                      |            |  |   |  |       |                     |           |       |                     |           |       |          |           |       |                     |           |       |          |           |       |          |           |       |          |           |       |              |            |       |          |            |       |          |            |       |          |            |        |                           |           |       |                     |           |       |                     |           |       |                      |                 |       |                      |                 |       |                    |            |       |                      |            |  |     |  |       |                      |            |  |     |  |       |                   |            |       |                      |                 |  |       |  |       |                   |            |       |         |           |       |         |           |       |         |           |       |         |           |       |         |           |       |         |           |       |         |           |       |         |           |       |         |           |       |         |           |       |         |           |       |         |           |       |         |           |       |         |            |
| L4660  | IND_0603  | sync[8C4]       |  |         |           |       |         |           |       |         |            |       |         |            |       |         |            |       |         |            |       |         |            |       |         |            |       |         |            |       |         |            |       |         |            |       |         |            |       |         |            |       |         |            |       |         |            |       |         |            |       |         |            |       |         |            |        |         |           |       |                      |           |       |         |           |       |                    |           |       |                    |           |       |                   |           |       |                      |           |       |          |           |       |               |           |       |                     |            |       |         |           |       |              |            |        |          |            |        |          |            |        |          |            |        |          |            |        |          |            |        |          |            |        |          |            |        |          |            |        |          |            |        |          |            |        |          |            |        |           |            |        |                  |            |        |         |            |        |         |            |       |         |            |       |         |            |       |         |            |       |         |            |       |         |            |       |                  |            |       |         |            |       |         |            |       |                  |            |       |         |            |       |         |            |       |                        |           |       |                        |           |       |                        |            |       |           |            |        |                     |           |        |                     |           |       |                           |           |       |                                |           |       |                           |           |       |                                      |           |       |                                      |           |       |                               |            |       |                      |            |  |   |  |       |                     |           |       |                     |           |       |          |           |       |                     |           |       |          |           |       |          |           |       |          |           |       |              |            |       |          |            |       |          |            |       |          |            |        |                           |           |       |                     |           |       |                     |           |       |                      |                 |       |                      |                 |       |                    |            |       |                      |            |  |     |  |       |                      |            |  |     |  |       |                   |            |       |                      |                 |  |       |  |       |                   |            |       |         |           |       |         |           |       |         |           |       |         |           |       |         |           |       |         |           |       |         |           |       |         |           |       |         |           |       |         |           |       |         |           |       |         |           |       |         |           |       |         |            |
| L6900  | FILTER_4P_SM  | sync[10D6]      |  |         |           |       |         |           |       |         |            |       |         |            |       |         |            |       |         |            |       |         |            |       |         |            |       |         |            |       |         |            |       |         |            |       |         |            |       |         |            |       |         |            |       |         |            |       |         |            |       |         |            |       |         |            |        |         |           |       |                      |           |       |         |           |       |                    |           |       |                    |           |       |                   |           |       |                      |           |       |          |           |       |               |           |       |                     |            |       |         |           |       |              |            |        |          |            |        |          |            |        |          |            |        |          |            |        |          |            |        |          |            |        |          |            |        |          |            |        |          |            |        |          |            |        |          |            |        |           |            |        |                  |            |        |         |            |        |         |            |       |         |            |       |         |            |       |         |            |       |         |            |       |         |            |       |                  |            |       |         |            |       |         |            |       |                  |            |       |         |            |       |         |            |       |                        |           |       |                        |           |       |                        |            |       |           |            |        |                     |           |        |                     |           |       |                           |           |       |                                |           |       |                           |           |       |                                      |           |       |                                      |           |       |                               |            |       |                      |            |  |   |  |       |                     |           |       |                     |           |       |          |           |       |                     |           |       |          |           |       |          |           |       |          |           |       |              |            |       |          |            |       |          |            |       |          |            |        |                           |           |       |                     |           |       |                     |           |       |                      |                 |       |                      |                 |       |                    |            |       |                      |            |  |     |  |       |                      |            |  |     |  |       |                   |            |       |                      |                 |  |       |  |       |                   |            |       |         |           |       |         |           |       |         |           |       |         |           |       |         |           |       |         |           |       |         |           |       |         |           |       |         |           |       |         |           |       |         |           |       |         |           |       |         |           |       |         |            |
| L6901  | IND_SM-1  | sync[10D6]      |  |         |           |       |         |           |       |         |            |       |         |            |       |         |            |       |         |            |       |         |            |       |         |            |       |         |            |       |         |            |       |         |            |       |         |            |       |         |            |       |         |            |       |         |            |       |         |            |       |         |            |       |         |            |        |         |           |       |                      |           |       |         |           |       |                    |           |       |                    |           |       |                   |           |       |                      |           |       |          |           |       |               |           |       |                     |            |       |         |           |       |              |            |        |          |            |        |          |            |        |          |            |        |          |            |        |          |            |        |          |            |        |          |            |        |          |            |        |          |            |        |          |            |        |          |            |        |           |            |        |                  |            |        |         |            |        |         |            |       |         |            |       |         |            |       |         |            |       |         |            |       |         |            |       |                  |            |       |         |            |       |         |            |       |                  |            |       |         |            |       |         |            |       |                        |           |       |                        |           |       |                        |            |       |           |            |        |                     |           |        |                     |           |       |                           |           |       |                                |           |       |                           |           |       |                                      |           |       |                                      |           |       |                               |            |       |                      |            |  |   |  |       |                     |           |       |                     |           |       |          |           |       |                     |           |       |          |           |       |          |           |       |          |           |       |              |            |       |          |            |       |          |            |       |          |            |        |                           |           |       |                     |           |       |                     |           |       |                      |                 |       |                      |                 |       |                    |            |       |                      |            |  |     |  |       |                      |            |  |     |  |       |                   |            |       |                      |                 |  |       |  |       |                   |            |       |         |           |       |         |           |       |         |           |       |         |           |       |         |           |       |         |           |       |         |           |       |         |           |       |         |           |       |         |           |       |         |           |       |         |           |       |         |           |       |         |            |
| L7600  | IND_IHLP  | sync[11C2]      |  |         |           |       |         |           |       |         |            |       |         |            |       |         |            |       |         |            |       |         |            |       |         |            |       |         |            |       |         |            |       |         |            |       |         |            |       |         |            |       |         |            |       |         |            |       |         |            |       |         |            |       |         |            |        |         |           |       |                      |           |       |         |           |       |                    |           |       |                    |           |       |                   |           |       |                      |           |       |          |           |       |               |           |       |                     |            |       |         |           |       |              |            |        |          |            |        |          |            |        |          |            |        |          |            |        |          |            |        |          |            |        |          |            |        |          |            |        |          |            |        |          |            |        |          |            |        |           |            |        |                  |            |        |         |            |        |         |            |       |         |            |       |         |            |       |         |            |       |         |            |       |         |            |       |                  |            |       |         |            |       |         |            |       |                  |            |       |         |            |       |         |            |       |                        |           |       |                        |           |       |                        |            |       |           |            |        |                     |           |        |                     |           |       |                           |           |       |                                |           |       |                           |           |       |                                      |           |       |                                      |           |       |                               |            |       |                      |            |  |   |  |       |                     |           |       |                     |           |       |          |           |       |                     |           |       |          |           |       |          |           |       |          |           |       |              |            |       |          |            |       |          |            |       |          |            |        |                           |           |       |                     |           |       |                     |           |       |                      |                 |       |                      |                 |       |                    |            |       |                      |            |  |     |  |       |                      |            |  |     |  |       |                   |            |       |                      |                 |  |       |  |       |                   |            |       |         |           |       |         |           |       |         |           |       |         |           |       |         |           |       |         |           |       |         |           |       |         |           |       |         |           |       |         |           |       |         |           |       |         |           |       |         |           |       |         |            |
| L7650  | IND_IHLP  | sync[11B2]      |  |         |           |       |         |           |       |         |            |       |         |            |       |         |            |       |         |            |       |         |            |       |         |            |       |         |            |       |         |            |       |         |            |       |         |            |       |         |            |       |         |            |       |         |            |       |         |            |       |         |            |       |         |            |        |         |           |       |                      |           |       |         |           |       |                    |           |       |                    |           |       |                   |           |       |                      |           |       |          |           |       |               |           |       |                     |            |       |         |           |       |              |            |        |          |            |        |          |            |        |          |            |        |          |            |        |          |            |        |          |            |        |          |            |        |          |            |        |          |            |        |          |            |        |          |            |        |           |            |        |                  |            |        |         |            |        |         |            |       |         |            |       |         |            |       |         |            |       |         |            |       |         |            |       |                  |            |       |         |            |       |         |            |       |                  |            |       |         |            |       |         |            |       |                        |           |       |                        |           |       |                        |            |       |           |            |        |                     |           |        |                     |           |       |                           |           |       |                                |           |       |                           |           |       |                                      |           |       |                                      |           |       |                               |            |       |                      |            |  |   |  |       |                     |           |       |                     |           |       |          |           |       |                     |           |       |          |           |       |          |           |       |          |           |       |              |            |       |          |            |       |          |            |       |          |            |        |                           |           |       |                     |           |       |                     |           |       |                      |                 |       |                      |                 |       |                    |            |       |                      |            |  |     |  |       |                      |            |  |     |  |       |                   |            |       |                      |                 |  |       |  |       |                   |            |       |         |           |       |         |           |       |         |           |       |         |           |       |         |           |       |         |           |       |         |           |       |         |           |       |         |           |       |         |           |       |         |           |       |         |           |       |         |           |       |         |            |
| PDS801 | PHOTODIODE_2P_TH-WTH-SPCR   | sync[9C6]       |  |         |           |       |         |           |       |         |            |       |         |            |       |         |            |       |         |            |       |         |            |       |         |            |       |         |            |       |         |            |       |         |            |       |         |            |       |         |            |       |         |            |       |         |            |       |         |            |       |         |            |       |         |            |        |         |           |       |                      |           |       |         |           |       |                    |           |       |                    |           |       |                   |           |       |                      |           |       |          |           |       |               |           |       |                     |            |       |         |           |       |              |            |        |          |            |        |          |            |        |          |            |        |          |            |        |          |            |        |          |            |        |          |            |        |          |            |        |          |            |        |          |            |        |          |            |        |           |            |        |                  |            |        |         |            |        |         |            |       |         |            |       |         |            |       |         |            |       |         |            |       |         |            |       |                  |            |       |         |            |       |         |            |       |                  |            |       |         |            |       |         |            |       |                        |           |       |                        |           |       |                        |            |       |           |            |        |                     |           |        |                     |           |       |                           |           |       |                                |           |       |                           |           |       |                                      |           |       |                                      |           |       |                               |            |       |                      |            |  |   |  |       |                     |           |       |                     |           |       |          |           |       |                     |           |       |          |           |       |          |           |       |          |           |       |              |            |       |          |            |       |          |            |       |          |            |        |                           |           |       |                     |           |       |                     |           |       |                      |                 |       |                      |                 |       |                    |            |       |                      |            |  |     |  |       |                      |            |  |     |  |       |                   |            |       |                      |                 |  |       |  |       |                   |            |       |         |           |       |         |           |       |         |           |       |         |           |       |         |           |       |         |           |       |         |           |       |         |           |       |         |           |       |         |           |       |         |           |       |         |           |       |         |           |       |         |            |
| Q3560  | TRA_2N7002_SOT23-LF   | sync[6B3]       |  |         |           |       |         |           |       |         |            |       |         |            |       |         |            |       |         |            |       |         |            |       |         |            |       |         |            |       |         |            |       |         |            |       |         |            |       |         |            |       |         |            |       |         |            |       |         |            |       |         |            |       |         |            |        |         |           |       |                      |           |       |         |           |       |                    |           |       |                    |           |       |                   |           |       |                      |           |       |          |           |       |               |           |       |                     |            |       |         |           |       |              |            |        |          |            |        |          |            |        |          |            |        |          |            |        |          |            |        |          |            |        |          |            |        |          |            |        |          |            |        |          |            |        |          |            |        |           |            |        |                  |            |        |         |            |        |         |            |       |         |            |       |         |            |       |         |            |       |         |            |       |         |            |       |                  |            |       |         |            |       |         |            |       |                  |            |       |         |            |       |         |            |       |                        |           |       |                        |           |       |                        |            |       |           |            |        |                     |           |        |                     |           |       |                           |           |       |                                |           |       |                           |           |       |                                      |           |       |                                      |           |       |                               |            |       |                      |            |  |   |  |       |                     |           |       |                     |           |       |          |           |       |                     |           |       |          |           |       |          |           |       |          |           |       |              |            |       |          |            |       |          |            |       |          |            |        |                           |           |       |                     |           |       |                     |           |       |                      |                 |       |                      |                 |       |                    |            |       |                      |            |  |     |  |       |                      |            |  |     |  |       |                   |            |       |                      |                 |  |       |  |       |                   |            |       |         |           |       |         |           |       |         |           |       |         |           |       |         |           |       |         |           |       |         |           |       |         |           |       |         |           |       |         |           |       |         |           |       |         |           |       |         |           |       |         |            |
| Q5801  | TRA_2N7002_SOT23-LF   | sync[9C5]       |  |         |           |       |         |           |       |         |            |       |         |            |       |         |            |       |         |            |       |         |            |       |         |            |       |         |            |       |         |            |       |         |            |       |         |            |       |         |            |       |         |            |       |         |            |       |         |            |       |         |            |       |         |            |        |         |           |       |                      |           |       |         |           |       |                    |           |       |                    |           |       |                   |           |       |                      |           |       |          |           |       |               |           |       |                     |            |       |         |           |       |              |            |        |          |            |        |          |            |        |          |            |        |          |            |        |          |            |        |          |            |        |          |            |        |          |            |        |          |            |        |          |            |        |          |            |        |           |            |        |                  |            |        |         |            |        |         |            |       |         |            |       |         |            |       |         |            |       |         |            |       |         |            |       |                  |            |       |         |            |       |         |            |       |                  |            |       |         |            |       |         |            |       |                        |           |       |                        |           |       |                        |            |       |           |            |        |                     |           |        |                     |           |       |                           |           |       |                                |           |       |                           |           |       |                                      |           |       |                                      |           |       |                               |            |       |                      |            |  |   |  |       |                     |           |       |                     |           |       |          |           |       |                     |           |       |          |           |       |          |           |       |          |           |       |              |            |       |          |            |       |          |            |       |          |            |        |                           |           |       |                     |           |       |                     |           |       |                      |                 |       |                      |                 |       |                    |            |       |                      |            |  |     |  |       |                      |            |  |     |  |       |                   |            |       |                      |                 |  |       |  |       |                   |            |       |         |           |       |         |           |       |         |           |       |         |           |       |         |           |       |         |           |       |         |           |       |         |           |       |         |           |       |         |           |       |         |           |       |         |           |       |         |           |       |         |            |
| Q6900  | TRA_2N7002DW_SOT-363  | sync[10C1 10C3] |  |         |           |       |         |           |       |         |            |       |         |            |       |         |            |       |         |            |       |         |            |       |         |            |       |         |            |       |         |            |       |         |            |       |         |            |       |         |            |       |         |            |       |         |            |       |         |            |       |         |            |       |         |            |        |         |           |       |                      |           |       |         |           |       |                    |           |       |                    |           |       |                   |           |       |                      |           |       |          |           |       |               |           |       |                     |            |       |         |           |       |              |            |        |          |            |        |          |            |        |          |            |        |          |            |        |          |            |        |          |            |        |          |            |        |          |            |        |          |            |        |          |            |        |          |            |        |           |            |        |                  |            |        |         |            |        |         |            |       |         |            |       |         |            |       |         |            |       |         |            |       |         |            |       |                  |            |       |         |            |       |         |            |       |                  |            |       |         |            |       |         |            |       |                        |           |       |                        |           |       |                        |            |       |           |            |        |                     |           |        |                     |           |       |                           |           |       |                                |           |       |                           |           |       |                                      |           |       |                                      |           |       |                               |            |       |                      |            |  |   |  |       |                     |           |       |                     |           |       |          |           |       |                     |           |       |          |           |       |          |           |       |          |           |       |              |            |       |          |            |       |          |            |       |          |            |        |                           |           |       |                     |           |       |                     |           |       |                      |                 |       |                      |                 |       |                    |            |       |                      |            |  |     |  |       |                      |            |  |     |  |       |                   |            |       |                      |                 |  |       |  |       |                   |            |       |         |           |       |         |           |       |         |           |       |         |           |       |         |           |       |         |           |       |         |           |       |         |           |       |         |           |       |         |           |       |         |           |       |         |           |       |         |           |       |         |            |
| Q6901  | TRA_2N7002DW_SOT-363  | sync[10C1 10C2] |  |         |           |       |         |           |       |         |            |       |         |            |       |         |            |       |         |            |       |         |            |       |         |            |       |         |            |       |         |            |       |         |            |       |         |            |       |         |            |       |         |            |       |         |            |       |         |            |       |         |            |       |         |            |        |         |           |       |                      |           |       |         |           |       |                    |           |       |                    |           |       |                   |           |       |                      |           |       |          |           |       |               |           |       |                     |            |       |         |           |       |              |            |        |          |            |        |          |            |        |          |            |        |          |            |        |          |            |        |          |            |        |          |            |        |          |            |        |          |            |        |          |            |        |          |            |        |           |            |        |                  |            |        |         |            |        |         |            |       |         |            |       |         |            |       |         |            |       |         |            |       |         |            |       |                  |            |       |         |            |       |         |            |       |                  |            |       |         |            |       |         |            |       |                        |           |       |                        |           |       |                        |            |       |           |            |        |                     |           |        |                     |           |       |                           |           |       |                                |           |       |                           |           |       |                                      |           |       |                                      |           |       |                               |            |       |                      |            |  |   |  |       |                     |           |       |                     |           |       |          |           |       |                     |           |       |          |           |       |          |           |       |          |           |       |              |            |       |          |            |       |          |            |       |          |            |        |                           |           |       |                     |           |       |                     |           |       |                      |                 |       |                      |                 |       |                    |            |       |                      |            |  |     |  |       |                      |            |  |     |  |       |                   |            |       |                      |                 |  |       |  |       |                   |            |       |         |           |       |         |           |       |         |           |       |         |           |       |         |           |       |         |           |       |         |           |       |         |           |       |         |           |       |         |           |       |         |           |       |         |           |       |         |           |       |         |            |
| Q6909  | TRA_TP0610_SOT23-3  | sync[10D2]      |  |         |           |       |         |           |       |         |            |       |         |            |       |         |            |       |         |            |       |         |            |       |         |            |       |         |            |       |         |            |       |         |            |       |         |            |       |         |            |       |         |            |       |         |            |       |         |            |       |         |            |       |         |            |        |         |           |       |                      |           |       |         |           |       |                    |           |       |                    |           |       |                   |           |       |                      |           |       |          |           |       |               |           |       |                     |            |       |         |           |       |              |            |        |          |            |        |          |            |        |          |            |        |          |            |        |          |            |        |          |            |        |          |            |        |          |            |        |          |            |        |          |            |        |          |            |        |           |            |        |                  |            |        |         |            |        |         |            |       |         |            |       |         |            |       |         |            |       |         |            |       |         |            |       |                  |            |       |         |            |       |         |            |       |                  |            |       |         |            |       |         |            |       |                        |           |       |                        |           |       |                        |            |       |           |            |        |                     |           |        |                     |           |       |                           |           |       |                                |           |       |                           |           |       |                                      |           |       |                                      |           |       |                               |            |       |                      |            |  |   |  |       |                     |           |       |                     |           |       |          |           |       |                     |           |       |          |           |       |          |           |       |          |           |       |              |            |       |          |            |       |          |            |       |          |            |        |                           |           |       |                     |           |       |                     |           |       |                      |                 |       |                      |                 |       |                    |            |       |                      |            |  |     |  |       |                      |            |  |     |  |       |                   |            |       |                      |                 |  |       |  |       |                   |            |       |         |           |       |         |           |       |         |           |       |         |           |       |         |           |       |         |           |       |         |           |       |         |           |       |         |           |       |         |           |       |         |           |       |         |           |       |         |           |       |         |            |
| Q7600  | TRA_FDM6296_MICROFET  | sync[11C3]      |  |         |           |       |         |           |       |         |            |       |         |            |       |         |            |       |         |            |       |         |            |       |         |            |       |         |            |       |         |            |       |         |            |       |         |            |       |         |            |       |         |            |       |         |            |       |         |            |       |         |            |       |         |            |        |         |           |       |                      |           |       |         |           |       |                    |           |       |                    |           |       |                   |           |       |                      |           |       |          |           |       |               |           |       |                     |            |       |         |           |       |              |            |        |          |            |        |          |            |        |          |            |        |          |            |        |          |            |        |          |            |        |          |            |        |          |            |        |          |            |        |          |            |        |          |            |        |           |            |        |                  |            |        |         |            |        |         |            |       |         |            |       |         |            |       |         |            |       |         |            |       |         |            |       |                  |            |       |         |            |       |         |            |       |                  |            |       |         |            |       |         |            |       |                        |           |       |                        |           |       |                        |            |       |           |            |        |                     |           |        |                     |           |       |                           |           |       |                                |           |       |                           |           |       |                                      |           |       |                                      |           |       |                               |            |       |                      |            |  |   |  |       |                     |           |       |                     |           |       |          |           |       |                     |           |       |          |           |       |          |           |       |          |           |       |              |            |       |          |            |       |          |            |       |          |            |        |                           |           |       |                     |           |       |                     |           |       |                      |                 |       |                      |                 |       |                    |            |       |                      |            |  |     |  |       |                      |            |  |     |  |       |                   |            |       |                      |                 |  |       |  |       |                   |            |       |         |           |       |         |           |       |         |           |       |         |           |       |         |           |       |         |           |       |         |           |       |         |           |       |         |           |       |         |           |       |         |           |       |         |           |       |         |           |       |         |            |
|        | 3X3   |                 |  |         |           |       |         |           |       |         |            |       |         |            |       |         |            |       |         |            |       |         |            |       |         |            |       |         |            |       |         |            |       |         |            |       |         |            |       |         |            |       |         |            |       |         |            |       |         |            |       |         |            |       |         |            |        |         |           |       |                      |           |       |         |           |       |                    |           |       |                    |           |       |                   |           |       |                      |           |       |          |           |       |               |           |       |                     |            |       |         |           |       |              |            |        |          |            |        |          |            |        |          |            |        |          |            |        |          |            |        |          |            |        |          |            |        |          |            |        |          |            |        |          |            |        |          |            |        |           |            |        |                  |            |        |         |            |        |         |            |       |         |            |       |         |            |       |         |            |       |         |            |       |         |            |       |                  |            |       |         |            |       |         |            |       |                  |            |       |         |            |       |         |            |       |                        |           |       |                        |           |       |                        |            |       |           |            |        |                     |           |        |                     |           |       |                           |           |       |                                |           |       |                           |           |       |                                      |           |       |                                      |           |       |                               |            |       |                      |            |  |   |  |       |                     |           |       |                     |           |       |          |           |       |                     |           |       |          |           |       |          |           |       |          |           |       |              |            |       |          |            |       |          |            |       |          |            |        |                           |           |       |                     |           |       |                     |           |       |                      |                 |       |                      |                 |       |                    |            |       |                      |            |  |     |  |       |                      |            |  |     |  |       |                   |            |       |                      |                 |  |       |  |       |                   |            |       |         |           |       |         |           |       |         |           |       |         |           |       |         |           |       |         |           |       |         |           |       |         |           |       |         |           |       |         |           |       |         |           |       |         |           |       |         |           |       |         |            |
| Q7601  | TRA_FDM6296_MICROFET  | sync[11C3]      |  |         |           |       |         |           |       |         |            |       |         |            |       |         |            |       |         |            |       |         |            |       |         |            |       |         |            |       |         |            |       |         |            |       |         |            |       |         |            |       |         |            |       |         |            |       |         |            |       |         |            |       |         |            |        |         |           |       |                      |           |       |         |           |       |                    |           |       |                    |           |       |                   |           |       |                      |           |       |          |           |       |               |           |       |                     |            |       |         |           |       |              |            |        |          |            |        |          |            |        |          |            |        |          |            |        |          |            |        |          |            |        |          |            |        |          |            |        |          |            |        |          |            |        |          |            |        |           |            |        |                  |            |        |         |            |        |         |            |       |         |            |       |         |            |       |         |            |       |         |            |       |         |            |       |                  |            |       |         |            |       |         |            |       |                  |            |       |         |            |       |         |            |       |                        |           |       |                        |           |       |                        |            |       |           |            |        |                     |           |        |                     |           |       |                           |           |       |                                |           |       |                           |           |       |                                      |           |       |                                      |           |       |                               |            |       |                      |            |  |   |  |       |                     |           |       |                     |           |       |          |           |       |                     |           |       |          |           |       |          |           |       |          |           |       |              |            |       |          |            |       |          |            |       |          |            |        |                           |           |       |                     |           |       |                     |           |       |                      |                 |       |                      |                 |       |                    |            |       |                      |            |  |     |  |       |                      |            |  |     |  |       |                   |            |       |                      |                 |  |       |  |       |                   |            |       |         |           |       |         |           |       |         |           |       |         |           |       |         |           |       |         |           |       |         |           |       |         |           |       |         |           |       |         |           |       |         |           |       |         |           |       |         |           |       |         |            |
|        | 3X3   |                 |  |         |           |       |         |           |       |         |            |       |         |            |       |         |            |       |         |            |       |         |            |       |         |            |       |         |            |       |         |            |       |         |            |       |         |            |       |         |            |       |         |            |       |         |            |       |         |            |       |         |            |       |         |            |        |         |           |       |                      |           |       |         |           |       |                    |           |       |                    |           |       |                   |           |       |                      |           |       |          |           |       |               |           |       |                     |            |       |         |           |       |              |            |        |          |            |        |          |            |        |          |            |        |          |            |        |          |            |        |          |            |        |          |            |        |          |            |        |          |            |        |          |            |        |          |            |        |           |            |        |                  |            |        |         |            |        |         |            |       |         |            |       |         |            |       |         |            |       |         |            |       |         |            |       |                  |            |       |         |            |       |         |            |       |                  |            |       |         |            |       |         |            |       |                        |           |       |                        |           |       |                        |            |       |           |            |        |                     |           |        |                     |           |       |                           |           |       |                                |           |       |                           |           |       |                                      |           |       |                                      |           |       |                               |            |       |                      |            |  |   |  |       |                     |           |       |                     |           |       |          |           |       |                     |           |       |          |           |       |          |           |       |          |           |       |              |            |       |          |            |       |          |            |       |          |            |        |                           |           |       |                     |           |       |                     |           |       |                      |                 |       |                      |                 |       |                    |            |       |                      |            |  |     |  |       |                      |            |  |     |  |       |                   |            |       |                      |                 |  |       |  |       |                   |            |       |         |           |       |         |           |       |         |           |       |         |           |       |         |           |       |         |           |       |         |           |       |         |           |       |         |           |       |         |           |       |         |           |       |         |           |       |         |           |       |         |            |
| Q7610  | TRA_IRF7707_TSSOP   | sync[11A7]      |  |         |           |       |         |           |       |         |            |       |         |            |       |         |            |       |         |            |       |         |            |       |         |            |       |         |            |       |         |            |       |         |            |       |         |            |       |         |            |       |         |            |       |         |            |       |         |            |       |         |            |       |         |            |        |         |           |       |                      |           |       |         |           |       |                    |           |       |                    |           |       |                   |           |       |                      |           |       |          |           |       |               |           |       |                     |            |       |         |           |       |              |            |        |          |            |        |          |            |        |          |            |        |          |            |        |          |            |        |          |            |        |          |            |        |          |            |        |          |            |        |          |            |        |          |            |        |           |            |        |                  |            |        |         |            |        |         |            |       |         |            |       |         |            |       |         |            |       |         |            |       |         |            |       |                  |            |       |         |            |       |         |            |       |                  |            |       |         |            |       |         |            |       |                        |           |       |                        |           |       |                        |            |       |           |            |        |                     |           |        |                     |           |       |                           |           |       |                                |           |       |                           |           |       |                                      |           |       |                                      |           |       |                               |            |       |                      |            |  |   |  |       |                     |           |       |                     |           |       |          |           |       |                     |           |       |          |           |       |          |           |       |          |           |       |              |            |       |          |            |       |          |            |       |          |            |        |                           |           |       |                     |           |       |                     |           |       |                      |                 |       |                      |                 |       |                    |            |       |                      |            |  |     |  |       |                      |            |  |     |  |       |                   |            |       |                      |                 |  |       |  |       |                   |            |       |         |           |       |         |           |       |         |           |       |         |           |       |         |           |       |         |           |       |         |           |       |         |           |       |         |           |       |         |           |       |         |           |       |         |           |       |         |           |       |         |            |
| Q7650  | TRA_S17212DN_PWRPK-1  | sync[11B3 11B3] |  |         |           |       |         |           |       |         |            |       |         |            |       |         |            |       |         |            |       |         |            |       |         |            |       |         |            |       |         |            |       |         |            |       |         |            |       |         |            |       |         |            |       |         |            |       |         |            |       |         |            |       |         |            |        |         |           |       |                      |           |       |         |           |       |                    |           |       |                    |           |       |                   |           |       |                      |           |       |          |           |       |               |           |       |                     |            |       |         |           |       |              |            |        |          |            |        |          |            |        |          |            |        |          |            |        |          |            |        |          |            |        |          |            |        |          |            |        |          |            |        |          |            |        |          |            |        |           |            |        |                  |            |        |         |            |        |         |            |       |         |            |       |         |            |       |         |            |       |         |            |       |         |            |       |                  |            |       |         |            |       |         |            |       |                  |            |       |         |            |       |         |            |       |                        |           |       |                        |           |       |                        |            |       |           |            |        |                     |           |        |                     |           |       |                           |           |       |                                |           |       |                           |           |       |                                      |           |       |                                      |           |       |                               |            |       |                      |            |  |   |  |       |                     |           |       |                     |           |       |          |           |       |                     |           |       |          |           |       |          |           |       |          |           |       |              |            |       |          |            |       |          |            |       |          |            |        |                           |           |       |                     |           |       |                     |           |       |                      |                 |       |                      |                 |       |                    |            |       |                      |            |  |     |  |       |                      |            |  |     |  |       |                   |            |       |                      |                 |  |       |  |       |                   |            |       |         |           |       |         |           |       |         |           |       |         |           |       |         |           |       |         |           |       |         |           |       |         |           |       |         |           |       |         |           |       |         |           |       |         |           |       |         |           |       |         |            |
|        | 212-8   |                 |  |         |           |       |         |           |       |         |            |       |         |            |       |         |            |       |         |            |       |         |            |       |         |            |       |         |            |       |         |            |       |         |            |       |         |            |       |         |            |       |         |            |       |         |            |       |         |            |       |         |            |       |         |            |        |         |           |       |                      |           |       |         |           |       |                    |           |       |                    |           |       |                   |           |       |                      |           |       |          |           |       |               |           |       |                     |            |       |         |           |       |              |            |        |          |            |        |          |            |        |          |            |        |          |            |        |          |            |        |          |            |        |          |            |        |          |            |        |          |            |        |          |            |        |          |            |        |           |            |        |                  |            |        |         |            |        |         |            |       |         |            |       |         |            |       |         |            |       |         |            |       |         |            |       |                  |            |       |         |            |       |         |            |       |                  |            |       |         |            |       |         |            |       |                        |           |       |                        |           |       |                        |            |       |           |            |        |                     |           |        |                     |           |       |                           |           |       |                                |           |       |                           |           |       |                                      |           |       |                                      |           |       |                               |            |       |                      |            |  |   |  |       |                     |           |       |                     |           |       |          |           |       |                     |           |       |          |           |       |          |           |       |          |           |       |              |            |       |          |            |       |          |            |       |          |            |        |                           |           |       |                     |           |       |                     |           |       |                      |                 |       |                      |                 |       |                    |            |       |                      |            |  |     |  |       |                      |            |  |     |  |       |                   |            |       |                      |                 |  |       |  |       |                   |            |       |         |           |       |         |           |       |         |           |       |         |           |       |         |           |       |         |           |       |         |           |       |         |           |       |         |           |       |         |           |       |         |           |       |         |           |       |         |           |       |         |            |
| Q7660  | TRA_IRF7707_TSSOP   | sync[11A3]      |  |         |           |       |         |           |       |         |            |       |         |            |       |         |            |       |         |            |       |         |            |       |         |            |       |         |            |       |         |            |       |         |            |       |         |            |       |         |            |       |         |            |       |         |            |       |         |            |       |         |            |       |         |            |        |         |           |       |                      |           |       |         |           |       |                    |           |       |                    |           |       |                   |           |       |                      |           |       |          |           |       |               |           |       |                     |            |       |         |           |       |              |            |        |          |            |        |          |            |        |          |            |        |          |            |        |          |            |        |          |            |        |          |            |        |          |            |        |          |            |        |          |            |        |          |            |        |           |            |        |                  |            |        |         |            |        |         |            |       |         |            |       |         |            |       |         |            |       |         |            |       |         |            |       |                  |            |       |         |            |       |         |            |       |                  |            |       |         |            |       |         |            |       |                        |           |       |                        |           |       |                        |            |       |           |            |        |                     |           |        |                     |           |       |                           |           |       |                                |           |       |                           |           |       |                                      |           |       |                                      |           |       |                               |            |       |                      |            |  |   |  |       |                     |           |       |                     |           |       |          |           |       |                     |           |       |          |           |       |          |           |       |          |           |       |              |            |       |          |            |       |          |            |       |          |            |        |                           |           |       |                     |           |       |                     |           |       |                      |                 |       |                      |                 |       |                    |            |       |                      |            |  |     |  |       |                      |            |  |     |  |       |                   |            |       |                      |                 |  |       |  |       |                   |            |       |         |           |       |         |           |       |         |           |       |         |           |       |         |           |       |         |           |       |         |           |       |         |           |       |         |           |       |         |           |       |         |           |       |         |           |       |         |           |       |         |            |
| R3500  | RES_402   | sync[6C6]       |  |         |           |       |         |           |       |         |            |       |         |            |       |         |            |       |         |            |       |         |            |       |         |            |       |         |            |       |         |            |       |         |            |       |         |            |       |         |            |       |         |            |       |         |            |       |         |            |       |         |            |       |         |            |        |         |           |       |                      |           |       |         |           |       |                    |           |       |                    |           |       |                   |           |       |                      |           |       |          |           |       |               |           |       |                     |            |       |         |           |       |              |            |        |          |            |        |          |            |        |          |            |        |          |            |        |          |            |        |          |            |        |          |            |        |          |            |        |          |            |        |          |            |        |          |            |        |           |            |        |                  |            |        |         |            |        |         |            |       |         |            |       |         |            |       |         |            |       |         |            |       |         |            |       |                  |            |       |         |            |       |         |            |       |                  |            |       |         |            |       |         |            |       |                        |           |       |                        |           |       |                        |            |       |           |            |        |                     |           |        |                     |           |       |                           |           |       |                                |           |       |                           |           |       |                                      |           |       |                                      |           |       |                               |            |       |                      |            |  |   |  |       |                     |           |       |                     |           |       |          |           |       |                     |           |       |          |           |       |          |           |       |          |           |       |              |            |       |          |            |       |          |            |       |          |            |        |                           |           |       |                     |           |       |                     |           |       |                      |                 |       |                      |                 |       |                    |            |       |                      |            |  |     |  |       |                      |            |  |     |  |       |                   |            |       |                      |                 |  |       |  |       |                   |            |       |         |           |       |         |           |       |         |           |       |         |           |       |         |           |       |         |           |       |         |           |       |         |           |       |         |           |       |         |           |       |         |           |       |         |           |       |         |           |       |         |            |
| R3560  | RES_402   | sync[6B3]       |  |         |           |       |         |           |       |         |            |       |         |            |       |         |            |       |         |            |       |         |            |       |         |            |       |         |            |       |         |            |       |         |            |       |         |            |       |         |            |       |         |            |       |         |            |       |         |            |       |         |            |       |         |            |        |         |           |       |                      |           |       |         |           |       |                    |           |       |                    |           |       |                   |           |       |                      |           |       |          |           |       |               |           |       |                     |            |       |         |           |       |              |            |        |          |            |        |          |            |        |          |            |        |          |            |        |          |            |        |          |            |        |          |            |        |          |            |        |          |            |        |          |            |        |          |            |        |           |            |        |                  |            |        |         |            |        |         |            |       |         |            |       |         |            |       |         |            |       |         |            |       |         |            |       |                  |            |       |         |            |       |         |            |       |                  |            |       |         |            |       |         |            |       |                        |           |       |                        |           |       |                        |            |       |           |            |        |                     |           |        |                     |           |       |                           |           |       |                                |           |       |                           |           |       |                                      |           |       |                                      |           |       |                               |            |       |                      |            |  |   |  |       |                     |           |       |                     |           |       |          |           |       |                     |           |       |          |           |       |          |           |       |          |           |       |              |            |       |          |            |       |          |            |       |          |            |        |                           |           |       |                     |           |       |                     |           |       |                      |                 |       |                      |                 |       |                    |            |       |                      |            |  |     |  |       |                      |            |  |     |  |       |                   |            |       |                      |                 |  |       |  |       |                   |            |       |         |           |       |         |           |       |         |           |       |         |           |       |         |           |       |         |           |       |         |           |       |         |           |       |         |           |       |         |           |       |         |           |       |         |           |       |         |           |       |         |            |
| R3561  | RES_402   | sync[6B3]       |  |         |           |       |         |           |       |         |            |       |         |            |       |         |            |       |         |            |       |         |            |       |         |            |       |         |            |       |         |            |       |         |            |       |         |            |       |         |            |       |         |            |       |         |            |       |         |            |       |         |            |       |         |            |        |         |           |       |                      |           |       |         |           |       |                    |           |       |                    |           |       |                   |           |       |                      |           |       |          |           |       |               |           |       |                     |            |       |         |           |       |              |            |        |          |            |        |          |            |        |          |            |        |          |            |        |          |            |        |          |            |        |          |            |        |          |            |        |          |            |        |          |            |        |          |            |        |           |            |        |                  |            |        |         |            |        |         |            |       |         |            |       |         |            |       |         |            |       |         |            |       |         |            |       |                  |            |       |         |            |       |         |            |       |                  |            |       |         |            |       |         |            |       |                        |           |       |                        |           |       |                        |            |       |           |            |        |                     |           |        |                     |           |       |                           |           |       |                                |           |       |                           |           |       |                                      |           |       |                                      |           |       |                               |            |       |                      |            |  |   |  |       |                     |           |       |                     |           |       |          |           |       |                     |           |       |          |           |       |          |           |       |          |           |       |              |            |       |          |            |       |          |            |       |          |            |        |                           |           |       |                     |           |       |                     |           |       |                      |                 |       |                      |                 |       |                    |            |       |                      |            |  |     |  |       |                      |            |  |     |  |       |                   |            |       |                      |                 |  |       |  |       |                   |            |       |         |           |       |         |           |       |         |           |       |         |           |       |         |           |       |         |           |       |         |           |       |         |           |       |         |           |       |         |           |       |         |           |       |         |           |       |         |           |       |         |            |
| R3570  | RES_402   | sync[6B2]       |  |         |           |       |         |           |       |         |            |       |         |            |       |         |            |       |         |            |       |         |            |       |         |            |       |         |            |       |         |            |       |         |            |       |         |            |       |         |            |       |         |            |       |         |            |       |         |            |       |         |            |       |         |            |        |         |           |       |                      |           |       |         |           |       |                    |           |       |                    |           |       |                   |           |       |                      |           |       |          |           |       |               |           |       |                     |            |       |         |           |       |              |            |        |          |            |        |          |            |        |          |            |        |          |            |        |          |            |        |          |            |        |          |            |        |          |            |        |          |            |        |          |            |        |          |            |        |           |            |        |                  |            |        |         |            |        |         |            |       |         |            |       |         |            |       |         |            |       |         |            |       |         |            |       |                  |            |       |         |            |       |         |            |       |                  |            |       |         |            |       |         |            |       |                        |           |       |                        |           |       |                        |            |       |           |            |        |                     |           |        |                     |           |       |                           |           |       |                                |           |       |                           |           |       |                                      |           |       |                                      |           |       |                               |            |       |                      |            |  |   |  |       |                     |           |       |                     |           |       |          |           |       |                     |           |       |          |           |       |          |           |       |          |           |       |              |            |       |          |            |       |          |            |       |          |            |        |                           |           |       |                     |           |       |                     |           |       |                      |                 |       |                      |                 |       |                    |            |       |                      |            |  |     |  |       |                      |            |  |     |  |       |                   |            |       |                      |                 |  |       |  |       |                   |            |       |         |           |       |         |           |       |         |           |       |         |           |       |         |           |       |         |           |       |         |           |       |         |           |       |         |           |       |         |           |       |         |           |       |         |           |       |         |           |       |         |            |
| R3571  | RES_402   | sync[6D3]       |  |         |           |       |         |           |       |         |            |       |         |            |       |         |            |       |         |            |       |         |            |       |         |            |       |         |            |       |         |            |       |         |            |       |         |            |       |         |            |       |         |            |       |         |            |       |         |            |       |         |            |       |         |            |        |         |           |       |                      |           |       |         |           |       |                    |           |       |                    |           |       |                   |           |       |                      |           |       |          |           |       |               |           |       |                     |            |       |         |           |       |              |            |        |          |            |        |          |            |        |          |            |        |          |            |        |          |            |        |          |            |        |          |            |        |          |            |        |          |            |        |          |            |        |          |            |        |           |            |        |                  |            |        |         |            |        |         |            |       |         |            |       |         |            |       |         |            |       |         |            |       |         |            |       |                  |            |       |         |            |       |         |            |       |                  |            |       |         |            |       |         |            |       |                        |           |       |                        |           |       |                        |            |       |           |            |        |                     |           |        |                     |           |       |                           |           |       |                                |           |       |                           |           |       |                                      |           |       |                                      |           |       |                               |            |       |                      |            |  |   |  |       |                     |           |       |                     |           |       |          |           |       |                     |           |       |          |           |       |          |           |       |          |           |       |              |            |       |          |            |       |          |            |       |          |            |        |                           |           |       |                     |           |       |                     |           |       |                      |                 |       |                      |                 |       |                    |            |       |                      |            |  |     |  |       |                      |            |  |     |  |       |                   |            |       |                      |                 |  |       |  |       |                   |            |       |         |           |       |         |           |       |         |           |       |         |           |       |         |           |       |         |           |       |         |           |       |         |           |       |         |           |       |         |           |       |         |           |       |         |           |       |         |           |       |         |            |
| R3600  | RES_402   | sync[7B4]       |  |         |           |       |         |           |       |         |            |       |         |            |       |         |            |       |         |            |       |         |            |       |         |            |       |         |            |       |         |            |       |         |            |       |         |            |       |         |            |       |         |            |       |         |            |       |         |            |       |         |            |       |         |            |        |         |           |       |                      |           |       |         |           |       |                    |           |       |                    |           |       |                   |           |       |                      |           |       |          |           |       |               |           |       |                     |            |       |         |           |       |              |            |        |          |            |        |          |            |        |          |            |        |          |            |        |          |            |        |          |            |        |          |            |        |          |            |        |          |            |        |          |            |        |          |            |        |           |            |        |                  |            |        |         |            |        |         |            |       |         |            |       |         |            |       |         |            |       |         |            |       |         |            |       |                  |            |       |         |            |       |         |            |       |                  |            |       |         |            |       |         |            |       |                        |           |       |                        |           |       |                        |            |       |           |            |        |                     |           |        |                     |           |       |                           |           |       |                                |           |       |                           |           |       |                                      |           |       |                                      |           |       |                               |            |       |                      |            |  |   |  |       |                     |           |       |                     |           |       |          |           |       |                     |           |       |          |           |       |          |           |       |          |           |       |              |            |       |          |            |       |          |            |       |          |            |        |                           |           |       |                     |           |       |                     |           |       |                      |                 |       |                      |                 |       |                    |            |       |                      |            |  |     |  |       |                      |            |  |     |  |       |                   |            |       |                      |                 |  |       |  |       |                   |            |       |         |           |       |         |           |       |         |           |       |         |           |       |         |           |       |         |           |       |         |           |       |         |           |       |         |           |       |         |           |       |         |           |       |         |           |       |         |           |       |         |            |
| R5801  | RES_402   | sync[9C6]       |  |         |           |       |         |           |       |         |            |       |         |            |       |         |            |       |         |            |       |         |            |       |         |            |       |         |            |       |         |            |       |         |            |       |         |            |       |         |            |       |         |            |       |         |            |       |         |            |       |         |            |       |         |            |        |         |           |       |                      |           |       |         |           |       |                    |           |       |                    |           |       |                   |           |       |                      |           |       |          |           |       |               |           |       |                     |            |       |         |           |       |              |            |        |          |            |        |          |            |        |          |            |        |          |            |        |          |            |        |          |            |        |          |            |        |          |            |        |          |            |        |          |            |        |          |            |        |           |            |        |                  |            |        |         |            |        |         |            |       |         |            |       |         |            |       |         |            |       |         |            |       |         |            |       |                  |            |       |         |            |       |         |            |       |                  |            |       |         |            |       |         |            |       |                        |           |       |                        |           |       |                        |            |       |           |            |        |                     |           |        |                     |           |       |                           |           |       |                                |           |       |                           |           |       |                                      |           |       |                                      |           |       |                               |            |       |                      |            |  |   |  |       |                     |           |       |                     |           |       |          |           |       |                     |           |       |          |           |       |          |           |       |          |           |       |              |            |       |          |            |       |          |            |       |          |            |        |                           |           |       |                     |           |       |                     |           |       |                      |                 |       |                      |                 |       |                    |            |       |                      |            |  |     |  |       |                      |            |  |     |  |       |                   |            |       |                      |                 |  |       |  |       |                   |            |       |         |           |       |         |           |       |         |           |       |         |           |       |         |           |       |         |           |       |         |           |       |         |           |       |         |           |       |         |           |       |         |           |       |         |           |       |         |           |       |         |            |
| R5802  | RES_402   | sync[9C6]       |  |         |           |       |         |           |       |         |            |       |         |            |       |         |            |       |         |            |       |         |            |       |         |            |       |         |            |       |         |            |       |         |            |       |         |            |       |         |            |       |         |            |       |         |            |       |         |            |       |         |            |       |         |            |        |         |           |       |                      |           |       |         |           |       |                    |           |       |                    |           |       |                   |           |       |                      |           |       |          |           |       |               |           |       |                     |            |       |         |           |       |              |            |        |          |            |        |          |            |        |          |            |        |          |            |        |          |            |        |          |            |        |          |            |        |          |            |        |          |            |        |          |            |        |          |            |        |           |            |        |                  |            |        |         |            |        |         |            |       |         |            |       |         |            |       |         |            |       |         |            |       |         |            |       |                  |            |       |         |            |       |         |            |       |                  |            |       |         |            |       |         |            |       |                        |           |       |                        |           |       |                        |            |       |           |            |        |                     |           |        |                     |           |       |                           |           |       |                                |           |       |                           |           |       |                                      |           |       |                                      |           |       |                               |            |       |                      |            |  |   |  |       |                     |           |       |                     |           |       |          |           |       |                     |           |       |          |           |       |          |           |       |          |           |       |              |            |       |          |            |       |          |            |       |          |            |        |                           |           |       |                     |           |       |                     |           |       |                      |                 |       |                      |                 |       |                    |            |       |                      |            |  |     |  |       |                      |            |  |     |  |       |                   |            |       |                      |                 |  |       |  |       |                   |            |       |         |           |       |         |           |       |         |           |       |         |           |       |         |           |       |         |           |       |         |           |       |         |           |       |         |           |       |         |           |       |         |           |       |         |           |       |         |           |       |         |            |
| R5803  | RES_402   | sync[9C5]       |  |         |           |       |         |           |       |         |            |       |         |            |       |         |            |       |         |            |       |         |            |       |         |            |       |         |            |       |         |            |       |         |            |       |         |            |       |         |            |       |         |            |       |         |            |       |         |            |       |         |            |       |         |            |        |         |           |       |                      |           |       |         |           |       |                    |           |       |                    |           |       |                   |           |       |                      |           |       |          |           |       |               |           |       |                     |            |       |         |           |       |              |            |        |          |            |        |          |            |        |          |            |        |          |            |        |          |            |        |          |            |        |          |            |        |          |            |        |          |            |        |          |            |        |          |            |        |           |            |        |                  |            |        |         |            |        |         |            |       |         |            |       |         |            |       |         |            |       |         |            |       |         |            |       |                  |            |       |         |            |       |         |            |       |                  |            |       |         |            |       |         |            |       |                        |           |       |                        |           |       |                        |            |       |           |            |        |                     |           |        |                     |           |       |                           |           |       |                                |           |       |                           |           |       |                                      |           |       |                                      |           |       |                               |            |       |                      |            |  |   |  |       |                     |           |       |                     |           |       |          |           |       |                     |           |       |          |           |       |          |           |       |          |           |       |              |            |       |          |            |       |          |            |       |          |            |        |                           |           |       |                     |           |       |                     |           |       |                      |                 |       |                      |                 |       |                    |            |       |                      |            |  |     |  |       |                      |            |  |     |  |       |                   |            |       |                      |                 |  |       |  |       |                   |            |       |         |           |       |         |           |       |         |           |       |         |           |       |         |           |       |         |           |       |         |           |       |         |           |       |         |           |       |         |           |       |         |           |       |         |           |       |         |           |       |         |            |
| R5804  | RES_402   | sync[9C5]       |  |         |           |       |         |           |       |         |            |       |         |            |       |         |            |       |         |            |       |         |            |       |         |            |       |         |            |       |         |            |       |         |            |       |         |            |       |         |            |       |         |            |       |         |            |       |         |            |       |         |            |       |         |            |        |         |           |       |                      |           |       |         |           |       |                    |           |       |                    |           |       |                   |           |       |                      |           |       |          |           |       |               |           |       |                     |            |       |         |           |       |              |            |        |          |            |        |          |            |        |          |            |        |          |            |        |          |            |        |          |            |        |          |            |        |          |            |        |          |            |        |          |            |        |          |            |        |           |            |        |                  |            |        |         |            |        |         |            |       |         |            |       |         |            |       |         |            |       |         |            |       |         |            |       |                  |            |       |         |            |       |         |            |       |                  |            |       |         |            |       |         |            |       |                        |           |       |                        |           |       |                        |            |       |           |            |        |                     |           |        |                     |           |       |                           |           |       |                                |           |       |                           |           |       |                                      |           |       |                                      |           |       |                               |            |       |                      |            |  |   |  |       |                     |           |       |                     |           |       |          |           |       |                     |           |       |          |           |       |          |           |       |          |           |       |              |            |       |          |            |       |          |            |       |          |            |        |                           |           |       |                     |           |       |                     |           |       |                      |                 |       |                      |                 |       |                    |            |       |                      |            |  |     |  |       |                      |            |  |     |  |       |                   |            |       |                      |                 |  |       |  |       |                   |            |       |         |           |       |         |           |       |         |           |       |         |           |       |         |           |       |         |           |       |         |           |       |         |           |       |         |           |       |         |           |       |         |           |       |         |           |       |         |           |       |         |            |
| R5805  | RES_402   | sync[9C5]       |  |         |           |       |         |           |       |         |            |       |         |            |       |         |            |       |         |            |       |         |            |       |         |            |       |         |            |       |         |            |       |         |            |       |         |            |       |         |            |       |         |            |       |         |            |       |         |            |       |         |            |       |         |            |        |         |           |       |                      |           |       |         |           |       |                    |           |       |                    |           |       |                   |           |       |                      |           |       |          |           |       |               |           |       |                     |            |       |         |           |       |              |            |        |          |            |        |          |            |        |          |            |        |          |            |        |          |            |        |          |            |        |          |            |        |          |            |        |          |            |        |          |            |        |          |            |        |           |            |        |                  |            |        |         |            |        |         |            |       |         |            |       |         |            |       |         |            |       |         |            |       |         |            |       |                  |            |       |         |            |       |         |            |       |                  |            |       |         |            |       |         |            |       |                        |           |       |                        |           |       |                        |            |       |           |            |        |                     |           |        |                     |           |       |                           |           |       |                                |           |       |                           |           |       |                                      |           |       |                                      |           |       |                               |            |       |                      |            |  |   |  |       |                     |           |       |                     |           |       |          |           |       |                     |           |       |          |           |       |          |           |       |          |           |       |              |            |       |          |            |       |          |            |       |          |            |        |                           |           |       |                     |           |       |                     |           |       |                      |                 |       |                      |                 |       |                    |            |       |                      |            |  |     |  |       |                      |            |  |     |  |       |                   |            |       |                      |                 |  |       |  |       |                   |            |       |         |           |       |         |           |       |         |           |       |         |           |       |         |           |       |         |           |       |         |           |       |         |           |       |         |           |       |         |           |       |         |           |       |         |           |       |         |           |       |         |            |
| R5806  | RES_402   | sync[9C4]       |  |         |           |       |         |           |       |         |            |       |         |            |       |         |            |       |         |            |       |         |            |       |         |            |       |         |            |       |         |            |       |         |            |       |         |            |       |         |            |       |         |            |       |         |            |       |         |            |       |         |            |       |         |            |        |         |           |       |                      |           |       |         |           |       |                    |           |       |                    |           |       |                   |           |       |                      |           |       |          |           |       |               |           |       |                     |            |       |         |           |       |              |            |        |          |            |        |          |            |        |          |            |        |          |            |        |          |            |        |          |            |        |          |            |        |          |            |        |          |            |        |          |            |        |          |            |        |           |            |        |                  |            |        |         |            |        |         |            |       |         |            |       |         |            |       |         |            |       |         |            |       |         |            |       |                  |            |       |         |            |       |         |            |       |                  |            |       |         |            |       |         |            |       |                        |           |       |                        |           |       |                        |            |       |           |            |        |                     |           |        |                     |           |       |                           |           |       |                                |           |       |                           |           |       |                                      |           |       |                                      |           |       |                               |            |       |                      |            |  |   |  |       |                     |           |       |                     |           |       |          |           |       |                     |           |       |          |           |       |          |           |       |          |           |       |              |            |       |          |            |       |          |            |       |          |            |        |                           |           |       |                     |           |       |                     |           |       |                      |                 |       |                      |                 |       |                    |            |       |                      |            |  |     |  |       |                      |            |  |     |  |       |                   |            |       |                      |                 |  |       |  |       |                   |            |       |         |           |       |         |           |       |         |           |       |         |           |       |         |           |       |         |           |       |         |           |       |         |           |       |         |           |       |         |           |       |         |           |       |         |           |       |         |           |       |         |            |
| R5807  | RES_402   | sync[9C4]       |  |         |           |       |         |           |       |         |            |       |         |            |       |         |            |       |         |            |       |         |            |       |         |            |       |         |            |       |         |            |       |         |            |       |         |            |       |         |            |       |         |            |       |         |            |       |         |            |       |         |            |       |         |            |        |         |           |       |                      |           |       |         |           |       |                    |           |       |                    |           |       |                   |           |       |                      |           |       |          |           |       |               |           |       |                     |            |       |         |           |       |              |            |        |          |            |        |          |            |        |          |            |        |          |            |        |          |            |        |          |            |        |          |            |        |          |            |        |          |            |        |          |            |        |          |            |        |           |            |        |                  |            |        |         |            |        |         |            |       |         |            |       |         |            |       |         |            |       |         |            |       |         |            |       |                  |            |       |         |            |       |         |            |       |                  |            |       |         |            |       |         |            |       |                        |           |       |                        |           |       |                        |            |       |           |            |        |                     |           |        |                     |           |       |                           |           |       |                                |           |       |                           |           |       |                                      |           |       |                                      |           |       |                               |            |       |                      |            |  |   |  |       |                     |           |       |                     |           |       |          |           |       |                     |           |       |          |           |       |          |           |       |          |           |       |              |            |       |          |            |       |          |            |       |          |            |        |                           |           |       |                     |           |       |                     |           |       |                      |                 |       |                      |                 |       |                    |            |       |                      |            |  |     |  |       |                      |            |  |     |  |       |                   |            |       |                      |                 |  |       |  |       |                   |            |       |         |           |       |         |           |       |         |           |       |         |           |       |         |           |       |         |           |       |         |           |       |         |           |       |         |           |       |         |           |       |         |           |       |         |           |       |         |           |       |         |            |
| R6900  | RES_402   | sync[10C2]      |  |         |           |       |         |           |       |         |            |       |         |            |       |         |            |       |         |            |       |         |            |       |         |            |       |         |            |       |         |            |       |         |            |       |         |            |       |         |            |       |         |            |       |         |            |       |         |            |       |         |            |       |         |            |        |         |           |       |                      |           |       |         |           |       |                    |           |       |                    |           |       |                   |           |       |                      |           |       |          |           |       |               |           |       |                     |            |       |         |           |       |              |            |        |          |            |        |          |            |        |          |            |        |          |            |        |          |            |        |          |            |        |          |            |        |          |            |        |          |            |        |          |            |        |          |            |        |           |            |        |                  |            |        |         |            |        |         |            |       |         |            |       |         |            |       |         |            |       |         |            |       |         |            |       |                  |            |       |         |            |       |         |            |       |                  |            |       |         |            |       |         |            |       |                        |           |       |                        |           |       |                        |            |       |           |            |        |                     |           |        |                     |           |       |                           |           |       |                                |           |       |                           |           |       |                                      |           |       |                                      |           |       |                               |            |       |                      |            |  |   |  |       |                     |           |       |                     |           |       |          |           |       |                     |           |       |          |           |       |          |           |       |          |           |       |              |            |       |          |            |       |          |            |       |          |            |        |                           |           |       |                     |           |       |                     |           |       |                      |                 |       |                      |                 |       |                    |            |       |                      |            |  |     |  |       |                      |            |  |     |  |       |                   |            |       |                      |                 |  |       |  |       |                   |            |       |         |           |       |         |           |       |         |           |       |         |           |       |         |           |       |         |           |       |         |           |       |         |           |       |         |           |       |         |           |       |         |           |       |         |           |       |         |           |       |         |            |
| B      |   |                 |  |         |           |       |         |           |       |         |            |       |         |            |       |         |            |       |         |            |       |         |            |       |         |            |       |         |            |       |         |            |       |         |            |       |         |            |       |         |            |       |         |            |       |         |            |       |         |            |       |         |            |       |         |            |        |         |           |       |                      |           |       |         |           |       |                    |           |       |                    |           |       |                   |           |       |                      |           |       |          |           |       |               |           |       |                     |            |       |         |           |       |              |            |        |          |            |        |          |            |        |          |            |        |          |            |        |          |            |        |          |            |        |          |            |        |          |            |        |          |            |        |          |            |        |          |            |        |           |            |        |                  |            |        |         |            |        |         |            |       |         |            |       |         |            |       |         |            |       |         |            |       |         |            |       |                  |            |       |         |            |       |         |            |       |                  |            |       |         |            |       |         |            |       |                        |           |       |                        |           |       |                        |            |       |           |            |        |                     |           |        |                     |           |       |                           |           |       |                                |           |       |                           |           |       |                                      |           |       |                                      |           |       |                               |            |       |                      |            |  |   |  |       |                     |           |       |                     |           |       |          |           |       |                     |           |       |          |           |       |          |           |       |          |           |       |              |            |       |          |            |       |          |            |       |          |            |        |                           |           |       |                     |           |       |                     |           |       |                      |                 |       |                      |                 |       |                    |            |       |                      |            |  |     |  |       |                      |            |  |     |  |       |                   |            |       |                      |                 |  |       |  |       |                   |            |       |         |           |       |         |           |       |         |           |       |         |           |       |         |           |       |         |           |       |         |           |       |         |           |       |         |           |       |         |           |       |         |           |       |         |           |       |         |           |       |         |            |
| A      |   |                 |  |         |           |       |         |           |       |         |            |       |         |            |       |         |            |       |         |            |       |         |            |       |         |            |       |         |            |       |         |            |       |         |            |       |         |            |       |         |            |       |         |            |       |         |            |       |         |            |       |         |            |       |         |            |        |         |           |       |                      |           |       |         |           |       |                    |           |       |                    |           |       |                   |           |       |                      |           |       |          |           |       |               |           |       |                     |            |       |         |           |       |              |            |        |          |            |        |          |            |        |          |            |        |          |            |        |          |            |        |          |            |        |          |            |        |          |            |        |          |            |        |          |            |        |          |            |        |           |            |        |                  |            |        |         |            |        |         |            |       |         |            |       |         |            |       |         |            |       |         |            |       |         |            |       |                  |            |       |         |            |       |         |            |       |                  |            |       |         |            |       |         |            |       |                        |           |       |                        |           |       |                        |            |       |           |            |        |                     |           |        |                     |           |       |                           |           |       |                                |           |       |                           |           |       |                                      |           |       |                                      |           |       |                               |            |       |                      |            |  |   |  |       |                     |           |       |                     |           |       |          |           |       |                     |           |       |          |           |       |          |           |       |          |           |       |              |            |       |          |            |       |          |            |       |          |            |        |                           |           |       |                     |           |       |                     |           |       |                      |                 |       |                      |                 |       |                    |            |       |                      |            |  |     |  |       |                      |            |  |     |  |       |                   |            |       |                      |                 |  |       |  |       |                   |            |       |         |           |       |         |           |       |         |           |       |         |           |       |         |           |       |         |           |       |         |           |       |         |           |       |         |           |       |         |           |       |         |           |       |         |           |       |         |           |       |         |            |
|        | 8   | 7               | 6  | 5       | 4         | 3     | 2       | 1         |       |         |            |       |         |            |       |         |            |       |         |            |       |         |            |       |         |            |       |         |            |       |         |            |       |         |            |       |         |            |       |         |            |       |         |            |       |         |            |       |         |            |       |         |            |       |         |            |        |         |           |       |                      |           |       |         |           |       |                    |           |       |                    |           |       |                   |           |       |                      |           |       |          |           |       |               |           |       |                     |            |       |         |           |       |              |            |        |          |            |        |          |            |        |          |            |        |          |            |        |          |            |        |          |            |        |          |            |        |          |            |        |          |            |        |          |            |        |          |            |        |           |            |        |                  |            |        |         |            |        |         |            |       |         |            |       |         |            |       |         |            |       |         |            |       |         |            |       |                  |            |       |         |            |       |         |            |       |                  |            |       |         |            |       |         |            |       |                        |           |       |                        |           |       |                        |            |       |           |            |        |                     |           |        |                     |           |       |                           |           |       |                                |           |       |                           |           |       |                                      |           |       |                                      |           |       |                               |            |       |                      |            |  |   |  |       |                     |           |       |                     |           |       |          |           |       |                     |           |       |          |           |       |          |           |       |          |           |       |              |            |       |          |            |       |          |            |       |          |            |        |                           |           |       |                     |           |       |                     |           |       |                      |                 |       |                      |                 |       |                    |            |       |                      |            |  |     |  |       |                      |            |  |     |  |       |                   |            |       |                      |                 |  |       |  |       |                   |            |       |         |           |       |         |           |       |         |           |       |         |           |       |         |           |       |         |           |       |         |           |       |         |           |       |         |           |       |         |           |       |         |           |       |         |           |       |         |           |       |         |            |

8 7 6 5 4 3 2 1

# CHANGE LIST

11/27/06:  
FIRST M76 LIMA SCHEMATIC CHECK-IN  
FUTURE UPDATES LOGGED IN PERFORCE

D

D

C

C

B

B

A

A

8 7 6 5 4 3 2 1


**HISTORY: NON-AUDIO**

SYNC\_MASTER=(MASTER) SYNC\_DATE=(MASTER)

**NOTICE OF PROPRIETARY PROPERTY**

THE INFORMATION CONTAINED HEREIN IS THE PROPRIETARY PROPERTY OF APPLE COMPUTER, INC. THE POSSESSOR AGREES TO THE FOLLOWING


I TO MAINTAIN THE DOCUMENT IN CONFIDENCE  
 II NOT TO REPRODUCE OR COPY IT  
 III NOT TO REVEAL OR PUBLISH IN WHOLE OR PART

|   |      |                |       |
|---|------|----------------|-------|
|  APPLE COMPUTER INC. | SIZE | DRAWING NUMBER | REV.  |
|   | D    | 051-7268       | A.0.0 |
| SCALE   | SHT  |                | OF    |
| NONE  | 21   |                | 24    |

CHANGE LIST

MAY 03 2006:FIRST RELEASE  
MAY 04 2006:REMOVED U7350  
MAY 10 2006:CONNECT XW7200.1 TO GND AUDIO\_PWR INSTEAD OF 5V. REPLACED C7301/02/04/52/53/55 WITH ZAP DIODES  
MAY 25 2006:REPLACED R6801 TO R7000, R7200 WITH 155S0138. CHANGED C6803 TO 22UF ROHS COMPLIANT CAP  
MAY 31 2006:CHANGE U6800 TO 353S1458, DC SCREENED VERSION. CHANGED NETNAME "=GND\_AUDIO\_PWR" TO "=GND\_AUDIO\_AMP"  
JUNE 1 2006:CHANGED NETNAME "=PP5V\_S0\_AUDIO\_PWR" TO "=PP5V\_S0\_AUDIO\_AMP"  
JUNE 1 2006:ADDED NETNAMES TO NC PINS ON U6800. ADDED "NO\_TEST=TRUE" ATTRIBUTES TO NC NETS.  
JUNE 28 2006:ADDED CRITICAL TO U6800. REMOVE "?" FROM BOMOPTION TABLE

NOTICE OF PROPRIETARY PROPERTY  
THE INFORMATION CONTAINED HEREIN IS THE PROPRIETARY PROPERTY OF APPLE COMPUTER, INC. THE POSSESSOR AGREES TO THE FOLLOWING  
I TO MAINTAIN THE DOCUMENT IN CONFIDENCE  
II NOT TO REPRODUCE OR COPY IT  
III NOT TO REVEAL OR PUBLISH IN WHOLE OR PART

|   |       |      |                |          |      |       |
|---|-------|------|----------------|----------|------|-------|
|  APPLE COMPUTER INC. | SIZE  | D    | DRAWING NUMBER | 051-7268 | REV. | A.0.0 |
|   | SCALE | NONE | SHT            | 22       | OF   | 24    |

|   | 8  | 7 | 6 | 5   | 4 | 3 | 2   | 1 |  |  |  |  |
|---|--|---|---|---|---|---|---|---|--|--|--|--|
|   | <p>Title: Basenet Report<br/> Design: lio<br/> Date: May 4 18:06:28 2007</p> <p>Base nets and synonyms for lio.lib.LIO(lio.lib.lio(sch_1))</p> <p>Base Signal Synonyms Location((Zone)[dir])</p> |   |   | <p>=SMBUS_ALSTEMP_SCL -SMBUS_ALSTEMP_SCL - @lio.lib.LIO 4A2 9A6<br/> =SMBUS_MINI_SCL - @lio.lib.LIO 4A2 5B3<br/> =SMBUS_LIO_SMC_SCL - @lio.lib.LIO 4A3 7B3<br/> =SMBUS_MINI_SDA - @lio.lib.LIO 4A2 5B3<br/> =SMBUS_ALSTEMP_SDA -SMBUS_ALSTEMP_SDA - @lio.lib.LIO 4A4 9A6<br/> =SMBUS_MINI_SDA - @lio.lib.LIO 4A4 5B3<br/> =SMBUS_LIO_SMC_SDA - @lio.lib.LIO 4A5 7B3<br/> =SMBUS_MINI_SDA - @lio.lib.LIO 4A4 5B3<br/> =SMBUS_EXCARD_SCL - @lio.lib.LIO 4A2 6C3<br/> =SMBUS_LIO_SB_SCL - @lio.lib.LIO 4A3 7B6<br/> =SMBUS_EXCARD_SDA - @lio.lib.LIO 4A4 6C3<br/> =SMBUS_LIO_SB_SDA - @lio.lib.LIO 4A5 7B6<br/> =USB_EXCARD_N -USB_EXCARD_N - @lio.lib.LIO 4D5 7C3<br/> =USB2_EXCARD_N - @lio.lib.LIO 4D2 6C3<br/> =USB_EXCARD_P - @lio.lib.LIO 4D5 7C3<br/> =USB2_EXCARD_P - @lio.lib.LIO 4D2 6C3<br/> =USB_LT2_N - @lio.lib.LIO 4A7 7C3<br/> =USB_LEFT2_N - @lio.lib.LIO 4B5 8C5<br/> =USB_LT2_P - @lio.lib.LIO 4B3 7C3<br/> =USB_LEFT2_P - @lio.lib.LIO 4B5 8C5<br/> =USB_LT_N - @lio.lib.LIO 4B3 7C3<br/> =USB_LEFT_N - @lio.lib.LIO 4B5 8C5<br/> =USB_LT_P - @lio.lib.LIO 4B3 7C3<br/> =USB_LEFT_P - @lio.lib.LIO 4B5 8C5<br/> =USB_MINI_N - @lio.lib.LIO 4A3 7B3<br/> =USB_MINI_P - @lio.lib.LIO 4A5 5B2<br/> ADAPTER_SENSE ADAPTER_SENSE - @lio.lib.LIO 16D6<br/> ADAPTER_SENSE_UF ADAPTER_SENSE_UF - @lio.lib.LIO 16D7<br/> AUDIO_SHIELD_PLANE AUDIO_SHIELD_PLANE - @lio.lib.LIO 14B3<br/> AUD_4V5_REG_IN AUD_4V5_REG_IN - @lio.lib.LIO 10A6<br/> AUD_BI_PORT_A_L AUD_BI_PORT_A_L - @lio.lib.LIO 10C3 12B7<br/> AUD_BI_PORT_A_R AUD_BI_PORT_A_R - @lio.lib.LIO 10C3 12A7<br/> AUD_BI_PORT_B_L AUD_BI_PORT_B_L - @lio.lib.LIO 10C3 15C2<br/> AUD_BI_PORT_B_R AUD_BI_PORT_B_R - @lio.lib.LIO 10C3 15C2<br/> AUD_BI_PORT_C_L AUD_BI_PORT_C_L - @lio.lib.LIO 10C7 11C3<br/> AUD_BI_PORT_C_R AUD_BI_PORT_C_R - @lio.lib.LIO 10C7 11B2<br/> AUD_BI_PORT_D_L AUD_BI_PORT_D_L - @lio.lib.LIO 10C7 13D8<br/> AUD_BI_PORT_D_R AUD_BI_PORT_D_R - @lio.lib.LIO 10C7 13B8<br/> AUD_BI_PORT_G_L AUD_BI_PORT_G_L - @lio.lib.LIO 10C3 13C8<br/> AUD_BI_PORT_G_R AUD_BI_PORT_G_R - @lio.lib.LIO 10B3 13A8<br/> AUD_CODEC_INREF AUD_CODEC_INREF - @lio.lib.LIO 11B3<br/> AUD_CODEC_JDREF AUD_CODEC_JDREF - @lio.lib.LIO 10B4<br/> AUD_CODEC_OUTL_C AUD_CODEC_OUTL_C - @lio.lib.LIO 12B6<br/> AUD_CODEC_OUTL_R AUD_CODEC_OUTL_R - @lio.lib.LIO 12A5<br/> AUD_CODEC_OUTR_C AUD_CODEC_OUTR_C - @lio.lib.LIO 12A6<br/> AUD_CODEC_OUTR_R AUD_CODEC_OUTR_R - @lio.lib.LIO 12A5<br/> AUD_CODEC_VREF AUD_CODEC_VREF - @lio.lib.LIO 10B4<br/> AUD_CONNJ1_RING AUD_CONNJ1_RING - @lio.lib.LIO 14C7<br/> AUD_CONNJ1_RING_F AUD_CONNJ1_RING_F - @lio.lib.LIO 14C6<br/> AUD_CONNJ1_SLEEVE AUD_CONNJ1_SLEEVE - @lio.lib.LIO 14D7<br/> AUD_CONNJ1_SLEEVEDET AUD_CONNJ1_SLEEVEDET - @lio.lib.LIO 14C7<br/> AUD_CONNJ1_SLEEVEDET_F @lio.lib.LIO 14C6<br/> AUD_CONNJ1_SLEEVE_F AUD_CONNJ1_SLEEVE_F - @lio.lib.LIO 14D6<br/> AUD_CONNJ1_TIP AUD_CONNJ1_TIP - @lio.lib.LIO 14C7<br/> AUD_CONNJ1_TIPDET AUD_CONNJ1_TIPDET - @lio.lib.LIO 14C7<br/> AUD_CONNJ1_TIPDET_F AUD_CONNJ1_TIPDET_F - @lio.lib.LIO 14C6<br/> AUD_CONNJ1_TIP_F AUD_CONNJ1_TIP_F - @lio.lib.LIO 14C6<br/> AUD_CONNJ2_RING AUD_CONNJ2_RING - @lio.lib.LIO 14B7<br/> AUD_CONNJ2_RING_F AUD_CONNJ2_RING_F - @lio.lib.LIO 14B6<br/> AUD_CONNJ2_SLEEVE AUD_CONNJ2_SLEEVE - @lio.lib.LIO 14B7<br/> AUD_CONNJ2_SLEEVEDET AUD_CONNJ2_SLEEVEDET - @lio.lib.LIO 14A7<br/> AUD_CONNJ2_SLEEVEDET_F @lio.lib.LIO 14A6<br/> AUD_CONNJ2_TIP AUD_CONNJ2_TIP - @lio.lib.LIO 14A6<br/> AUD_CONNJ2_TIPDET AUD_CONNJ2_TIPDET - @lio.lib.LIO 14A7<br/> AUD_CONNJ2_TIPDET_F AUD_CONNJ2_TIPDET_F - @lio.lib.LIO 14A6<br/> AUD_CONNJ2_TIP_F AUD_CONNJ2_TIP_F - @lio.lib.LIO 14A6<br/> AUD_GPI0_0 AUD_GPI0_0 - @lio.lib.LIO 10C7 13C8<br/> AUD_GPI0_1 AUD_GPI0_1 - @lio.lib.LIO 10B2 10C7<br/> AUD_HPAMP_INL_M AUD_HPAMP_INL_M - @lio.lib.LIO 12B3 12D7<br/> AUD_HPAMP_INR_M AUD_HPAMP_INR_M - @lio.lib.LIO 12B3 12D7<br/> AUD_HPAMP_MUTE_L AUD_HPAMP_MUTE_L - @lio.lib.LIO 12C6<br/> AUD_HPAMP_OUTL AUD_HPAMP_OUTL - @lio.lib.LIO 12D2 14C4<br/> AUD_HPAMP_OUTL_F AUD_HPAMP_OUTL_F - @lio.lib.LIO 12B3 12D2<br/> AUD_HPAMP_OUTR AUD_HPAMP_OUTR - @lio.lib.LIO 12C2 14C4<br/> AUD_HPAMP_OUTR_F AUD_HPAMP_OUTR_F - @lio.lib.LIO 12A3 12C2<br/> AUD_INJACK_INSERT_L AUD_INJACK_INSERT_L - @lio.lib.LIO 15A6<br/> AUD_J1_DET_RC AUD_J1_DET_RC - @lio.lib.LIO 15C7<br/> AUD_J1_SLEEVEDET_INV AUD_J1_SLEEVEDET_INV - @lio.lib.LIO 15B7<br/> AUD_J1_SLEEVEDET_R AUD_J1_SLEEVEDET_R - @lio.lib.LIO 14C4 15B5 15B8<br/> AUD_J1_TIPDET_R AUD_J1_TIPDET_R - @lio.lib.LIO 14C4 15C8<br/> AUD_J2_DET_RC AUD_J2_DET_RC - @lio.lib.LIO 15A7<br/> AUD_J2_OPT_OUT AUD_J2_OPT_OUT - @lio.lib.LIO 14B7<br/> AUD_J2_OPT_OUT_INV AUD_J2_OPT_OUT_INV - @lio.lib.LIO 14A3 15A8<br/> AUD_J2_TIPDET_R AUD_J2_TIPDET_R - @lio.lib.LIO 11C4<br/> AUD_LIFILT_LT AUD_LIFILT_LT - @lio.lib.LIO 11C5<br/> AUD_LIFILT_RT AUD_LIFILT_RT - @lio.lib.LIO 11B4<br/> AUD_LIFILT_RT_R AUD_LIFILT_RT_R - @lio.lib.LIO 11B5<br/> AUD_LIFILT_SHUTDOWN_L @lio.lib.LIO 11C2 15A4<br/> AUD_LIN_SHUTDOWN AUD_LIN_SHUTDOWN - @lio.lib.LIO 15A5<br/> AUD_LI_GND AUD_LI_GND - @lio.lib.LIO 11C7 14B3<br/> AUD_LI_INL AUD_LI_INL - @lio.lib.LIO 11C7 14A3<br/> AUD_LI_INL_C AUD_LI_INL_C - @lio.lib.LIO 11C5<br/> AUD_LI_INL_C_R AUD_LI_INL_C_R - @lio.lib.LIO 11C4<br/> AUD_LI_INR AUD_LI_INR - @lio.lib.LIO 11B7 14B3<br/> AUD_LI_INR_C AUD_LI_INR_C - @lio.lib.LIO 11B5<br/> AUD_LI_INR_C_R AUD_LI_INR_C_R - @lio.lib.LIO 11B4<br/> AUD_LI_GND AUD_LI_GND - @lio.lib.LIO 12C2 14D4<br/> AUD_OUTJACK_INSERT_L AUD_OUTJACK_INSERT_L - @lio.lib.LIO 15C5<br/> AUD_PORTA_DET_L AUD_PORTA_DET_L - @lio.lib.LIO 11C3<br/> AUD_PORTC_L AUD_PORTC_L - @lio.lib.LIO 11B3<br/> AUD_PORTC_R AUD_PORTC_R - @lio.lib.LIO 11C3<br/> AUD_PORTE_DET_L AUD_PORTE_DET_L - @lio.lib.LIO 15C4<br/> AUD_REG_SHDN_L AUD_REG_SHDN_L - @lio.lib.LIO 10A6<br/> AUD_SENSE_A AUD_SENSE_A - @lio.lib.LIO 10C2 15A7 15C8<br/> AUD_SENSE_B AUD_SENSE_B - @lio.lib.LIO 10C2 15C8<br/> AUD_SPDIF_IN AUD_SPDIF_IN - @lio.lib.LIO 10C3 14B3<br/> AUD_SPDIF_O AUD_SPDIF_O - @lio.lib.LIO 10C4<br/> AUD_SPDIF_OUT AUD_SPDIF_OUT - @lio.lib.LIO 10C3 14D4<br/> AUD_SPKRAMP_INL1_L AUD_SPKRAMP_INL1_L - @lio.lib.LIO 13D7<br/> AUD_SPKRAMP_INL2_L AUD_SPKRAMP_INL2_L - @lio.lib.LIO 13C7<br/> AUD_SPKRAMP_INR1_L AUD_SPKRAMP_INR1_L - @lio.lib.LIO 13B6<br/> AUD_SPKRAMP_INR2_L AUD_SPKRAMP_INR2_L - @lio.lib.LIO 13A6<br/> AUD_SPKRAMP_SHUTDOWN_L AUD_SPKRAMP_SHUTDOWN_L - @lio.lib.LIO 13A8 13B8 13B8 13C8<br/> AUD_VREF_PORT_A AUD_VREF_PORT_A - @lio.lib.LIO 10C3 12C7<br/> AUD_VREF_PORT_B AUD_VREF_PORT_B - @lio.lib.LIO 10C3 15D2<br/> AUD_VREF_PORT_C AUD_VREF_PORT_C - @lio.lib.LIO 10C3 11B2</p> |   |   | <p>AVDD_ADC_DAC AVDD_ADC_DAC - @lio.lib.LIO 10D5<br/> BEEP BEEP - @lio.lib.LIO 10C6<br/> CODEC_DVDD CODEC_DVDD - @lio.lib.LIO 10B2 10D6<br/> CODEC_SDATA_IN CODEC_SDATA_IN - @lio.lib.LIO 10C6<br/> EXCARD_CLKREQ_CONN EXCARD_CLKREQ_CONN - @lio.lib.LIO 6B3<br/> EXCARD_CLKREQ_CONN_L EXCARD_CLKREQ_CONN_L - @lio.lib.LIO 6A4 6C3<br/> EXCARD_CPPE_L EXCARD_CPPE_L - @lio.lib.LIO 6A8 6C3 6C3<br/> EXCARD_CPUSB_L EXCARD_CPUSB_L - @lio.lib.LIO 6A8 6C3 6C3<br/> EXCARD_RCLKEN EXCARD_RCLKEN - @lio.lib.LIO 5B3 6C5<br/> EXCARD_SHDN_L EXCARD_SHDN_L - @lio.lib.LIO 6C6<br/> GND_5V33_3V33_GND GND_5V33_3V33_GND - @lio.lib.LIO 17A6<br/> GND_ADAPTR_UF GND_ADAPTR_UF - @lio.lib.LIO 16D7<br/> GND_AUDIO_HPAMP_PGND GND_AUDIO_HPAMP_PGND - @lio.lib.LIO 12C5<br/> HDA_BIT_CLK HDA_BIT_CLK - @lio.lib.LIO 7B6 10C7<br/> HDA_RST_L HDA_RST_L - @lio.lib.LIO 7B6 10B7<br/> HDA_SDI0 HDA_SDI0 - @lio.lib.LIO 7B6 10C7<br/> HDA_SDOUT HDA_SDOUT - @lio.lib.LIO 7B6 10C7<br/> HDA_SYNC HDA_SYNC - @lio.lib.LIO 7B6 10C7<br/> LEFT_ALS_GAIN_SW LEFT_ALS_GAIN_SW - @lio.lib.LIO 7C6 9C4<br/> LEFT_ALS_GAIN_SW_R LEFT_ALS_GAIN_SW_R - @lio.lib.LIO 9C5<br/> LEFT_ALS_OP_COMP LEFT_ALS_OP_COMP - @lio.lib.LIO 9C6<br/> LEFT_ALS_OP_IN LEFT_ALS_OP_IN - @lio.lib.LIO 9C5<br/> LEFT_ALS_OUT LEFT_ALS_OUT - @lio.lib.LIO 7C6 9C4<br/> LEFT_ALS_OUT_FB LEFT_ALS_OUT_FB - @lio.lib.LIO 9C5<br/> LEFT_GAIN_SETTING LEFT_GAIN_SETTING - @lio.lib.LIO 9C5<br/> LEFT_PHOTODIODE LEFT_PHOTODIODE - @lio.lib.LIO 9C6<br/> LIO_P3V3S0_EN_R_L LIO_P3V3S0_EN_R_L - @lio.lib.LIO 17A3<br/> LIO_P5V30_EN_R_L LIO_P5V30_EN_R_L - @lio.lib.LIO 17A8<br/> MAX9705L1_NIN MAX9705L1_NIN - @lio.lib.LIO 13D6<br/> MAX9705L1_PIN MAX9705L1_PIN - @lio.lib.LIO 13D6<br/> MAX9705L2_NIN MAX9705L2_NIN - @lio.lib.LIO 13C6<br/> MAX9705L2_PIN MAX9705L2_PIN - @lio.lib.LIO 13C6<br/> MAX9705R1_NIN MAX9705R1_NIN - @lio.lib.LIO 13B6<br/> MAX9705R1_PIN MAX9705R1_PIN - @lio.lib.LIO 13B6<br/> MAX9705R2_NIN MAX9705R2_NIN - @lio.lib.LIO 13A6<br/> MAX9705R2_PIN MAX9705R2_PIN - @lio.lib.LIO 13A6<br/> MAX9722_CIN MAX9722_CIN - @lio.lib.LIO 12C4<br/> MAX9722_CIP MAX9722_CIP - @lio.lib.LIO 12C4<br/> MAX9722_PVSS MAX9722_PVSS - @lio.lib.LIO 12C4<br/> MIC_BIAS MIC_BIAS - @lio.lib.LIO 15D3<br/> MIC_HI MIC_HI - @lio.lib.LIO 14D3 15C4<br/> MIC_LO MIC_LO - @lio.lib.LIO 14D3 15C4<br/> MIC_SHIELD MIC_SHIELD - @lio.lib.LIO 14D3 15C4<br/> NC_AUD_BI_PORT_E_L NC_AUD_BI_PORT_E_L - @lio.lib.LIO 10C4<br/> NC_AUD_BI_PORT_E_R NC_AUD_BI_PORT_E_R - @lio.lib.LIO 10C4<br/> NC_AUD_BI_PORT_F_L NC_AUD_BI_PORT_F_L - @lio.lib.LIO 10C4<br/> NC_AUD_BI_PORT_F_R NC_AUD_BI_PORT_F_R - @lio.lib.LIO 10C4<br/> NC_AUD_BI_PORT_H_L NC_AUD_BI_PORT_H_L - @lio.lib.LIO 10B4<br/> NC_AUD_BI_PORT_H_R NC_AUD_BI_PORT_H_R - @lio.lib.LIO 10B4<br/> NC_AUD_VREF_PORT_D NC_AUD_VREF_PORT_D - @lio.lib.LIO 10C4<br/> NC_AUD_VREF_PORT_E NC_AUD_VREF_PORT_E - @lio.lib.LIO 10C4<br/> NC_AUD_VREF_PORT_F NC_AUD_VREF_PORT_F - @lio.lib.LIO 10C4<br/> NC_BAL_IN_COM NC_BAL_IN_COM - @lio.lib.LIO 10C6<br/> NC_BAL_IN_L NC_BAL_IN_L - @lio.lib.LIO 10C6<br/> NC_BAL_IN_R NC_BAL_IN_R - @lio.lib.LIO 10C6<br/> NC_LED_WMAN_L NC_LED_WMAN_L - @lio.lib.LIO 5B3<br/> NC_LED_WMAN_R NC_LED_WMAN_R - @lio.lib.LIO 5B3<br/> NC_LIO_P3V3S3_PGOOD NC_LIO_P3V3S3_PGOOD - @lio.lib.LIO 17B7<br/> NC_LIO_P5V33_PGOOD NC_LIO_P5V33_PGOOD - @lio.lib.LIO 17B7<br/> NC_REG_POK NC_REG_POK - @lio.lib.LIO 10A5<br/> NC_UIM_CLK NC_UIM_CLK - @lio.lib.LIO 5C3<br/> NC_UIM_DATA NC_UIM_DATA - @lio.lib.LIO 5C3<br/> NC_UIM_PWR NC_UIM_PWR - @lio.lib.LIO 5C3<br/> NC_UIM_RESET NC_UIM_RESET - @lio.lib.LIO 5C3<br/> NC_UIM_VPP NC_UIM_VPP - @lio.lib.LIO 5C3<br/> NC_VREF @lio.lib.LIO 10B4<br/> NC_W_DISABLE_L NC_W_DISABLE_L - @lio.lib.LIO 5C3<br/> ONEWIRE_DCIN_DIV ONEWIRE_DCIN_DIV - @lio.lib.LIO 16C5<br/> ONEWIRE_EN ONEWIRE_EN - @lio.lib.LIO 16D3<br/> ONEWIRE_ESD ONEWIRE_ESD - @lio.lib.LIO 16C4<br/> ONEWIRE_OVERVOLT ONEWIRE_OVERVOLT - @lio.lib.LIO 16C4<br/> ONEWIRE_PWR_EN_L ONEWIRE_PWR_EN_L - @lio.lib.LIO 16C2<br/> ONEWIRE_PWR_EN_L_DIV ONEWIRE_PWR_EN_L_DIV - @lio.lib.LIO 16C2<br/> P3V3S3_BOOT P3V3S3_BOOT - @lio.lib.LIO 17B4 17B6<br/> P3V3S3_LG P3V3S3_LG - @lio.lib.LIO 17B4<br/> P3V3S3_PHASE P3V3S3_PHASE - @lio.lib.LIO 17B4<br/> P3V3S3_SS P3V3S3_SS - @lio.lib.LIO 17B4<br/> P3V3WLAN_SS P3V3WLAN_SS - @lio.lib.LIO 5C2<br/> P5V33_BOOT P5V33_BOOT - @lio.lib.LIO 17C4 17C6<br/> P5V33_CS1 P5V33_CS1 - @lio.lib.LIO 17C6<br/> P5V33_CS2 P5V33_CS2 - @lio.lib.LIO 17C6<br/> P5V33_LG P5V33_LG - @lio.lib.LIO 17C4<br/> P5V33_PHASE P5V33_PHASE - @lio.lib.LIO 17C4<br/> P5V33_UG P5V33_UG - @lio.lib.LIO 17C4<br/> P5V33_VSFILT P5V33_VSFILT - @lio.lib.LIO 17B6 17C5 17C6<br/> P5V33_VREF P5V33_VREF - @lio.lib.LIO 17C5 17C8<br/> P5V33_VREG3 P5V33_VREG3 - @lio.lib.LIO 17C5<br/> P5V33_VREG5 P5V33_VREG5 - @lio.lib.LIO 17C5<br/> PCIE_CLK100M_EXCARD_UP_N PCIE_CLK100M_EXCARD_UP_N - @lio.lib.LIO 7C4<br/> PCIE_CLK100M_EXCARD_UP_P @lio.lib.LIO 7B4<br/> PCIE_CLK100M_EXCARD_UP_N @lio.lib.LIO 7C4<br/> PCIE_CLK100M_MINI_UP @lio.lib.LIO 7C4<br/> PCIE_CLK100M_MINI_UP_P @lio.lib.LIO 7C4<br/> PCIE_WAKE_EXCARD_L PCIE_WAKE_EXCARD_L - @lio.lib.LIO 4C3 6C3<br/> PCIE_WAKE_L PCIE_WAKE_L - @lio.lib.LIO 4C4 7C6<br/> PCIE_WAKE_MINI_L PCIE_WAKE_MINI_L - @lio.lib.LIO 4C3 5C6<br/> PCIE_WAKE_R PCIE_WAKE_R - @lio.lib.LIO 4C4 7C6<br/> PGND1 PGND1 - @lio.lib.LIO 17A5<br/> PGND2 PGND2 - @lio.lib.LIO 17A5<br/> PLT_RESET_SWITCH_L PLT_RESET_SWITCH_L - @lio.lib.LIO 6C3 6C3<br/> PW_MAN_EN_L PW_MAN_EN_L - @lio.lib.LIO 15A6 7C6<br/> PP1V5_S0_EXCARD_SWIT PP1V5_S0_EXCARD_SWIT - @lio.lib.LIO 6C3 6C3<br/> CH CH<br/> PP3V3_S0_AUDIO_F PP3V3_S0_AUDIO_F - @lio.lib.LIO 15A7 15B2 15B7 15C7<br/> PP3V3_S0_EXCARD_SWIT PP3V3_S0_EXCARD_SWIT - @lio.lib.LIO 6C3 6C3<br/> CH CH<br/> PP3V3_S3_EXCARD_SWIT PP3V3_S3_EXCARD_SWIT - @lio.lib.LIO 6C3 6C3<br/> CH CH<br/> PP3V3_WLAN PP3V3_WLAN - @lio.lib.LIO 5D4<br/> PP4V5_AUDIO_ANALOG PP4V5_AUDIO_ANALOG - @lio.lib.LIO 10A3 10D3 11C6 15B7<br/> PP4V5_AUDIO_LINE_IN PP4V5_AUDIO_LINE_IN - @lio.lib.LIO 10C3<br/> PP5V_AUDIO_HPAMP_PVD PP5V_AUDIO_HPAMP_PVD - @lio.lib.LIO 12D5<br/> D_F @lio.lib.LIO 13C7<br/> PP5V_PWRON_USB_LEFT2_P PP5V_PWRON_USB_LEFT2_P - @lio.lib.LIO 8D4<br/> EM1 @lio.lib.LIO 8B4<br/> PP5V_PWRON_USB_LEFT2_P PP5V_PWRON_USB_LEFT2_P - @lio.lib.LIO 8B4<br/> EM1 @lio.lib.LIO 8B4<br/> PP5V_S0_AUDIO_F PP5V_S0_AUDIO_F - @lio.lib.LIO 13A8 13B8 13C8 13D6<br/> PP5V_S0_FET PP5V_S0_FET - @lio.lib.LIO 17A7 17A8<br/> PP5V_S3_USB_SWITCH_O PP5V_S3_USB_SWITCH_OUT1 - @lio.lib.LIO 8B5</p> |   |  | <p>UT1 @lio.lib.LIO<br/> PP5V_S3_USB_SWITCH_O PP5V_S3_USB_SWITCH_OUT2 - 8D5<br/> UT2 @lio.lib.LIO<br/> PP18V5_DCIN PP18V5_DCIN - @lio.lib.LIO 16D1 18C4<br/> PP18V5_DCIN_FUSE PP18V5_DCIN_FUSE - @lio.lib.LIO 16D6<br/> PP18V5_DCIN_ONEWIRE PP18V5_DCIN_ONEWIRE - @lio.lib.LIO 16D5<br/> PP18V5_DCIN_UF PP18V5_DCIN_UF - @lio.lib.LIO 16D7<br/> SMC_BC_ACCO SMC_BC_ACCO - @lio.lib.LIO 7C6 16B2<br/> SMC_BC_ACCO_R SMC_BC_ACCO_R - @lio.lib.LIO 16C1<br/> SMC_EXCARD_CP SMC_EXCARD_CP - @lio.lib.LIO 6A6 7C6<br/> SMC_EXCARD_PWR_EN SMC_EXCARD_PWR_EN - @lio.lib.LIO 6C7 7C6<br/> SPKRAMP_L1_NOUT SPKRAMP_L1_NOUT - @lio.lib.LIO 13D3 13D3<br/> SPKRAMP_L1_POUT SPKRAMP_L1_POUT - @lio.lib.LIO 13D3 13D3<br/> SPKRAMP_L2_NOUT SPKRAMP_L2_NOUT - @lio.lib.LIO 13C3 13C3<br/> SPKRAMP_L2_POUT SPKRAMP_L2_POUT - @lio.lib.LIO 13C3 13C3<br/> SPKRAMP_R1_NOUT SPKRAMP_R1_NOUT - @lio.lib.LIO 13B3 13B3<br/> SPKRAMP_R1_POUT SPKRAMP_R1_POUT - @lio.lib.LIO 13B3 13B3<br/> SPKRAMP_R2_NOUT SPKRAMP_R2_NOUT - @lio.lib.LIO 13A3 13B3<br/> SPKRAMP_R2_POUT SPKRAMP_R2_POUT - @lio.lib.LIO 13A3 13B3<br/> SPKRAMP_SYNC1 SPKRAMP_SYNC1 - @lio.lib.LIO 13C3 13C3<br/> SPKRAMP_SYNC2 SPKRAMP_SYNC2 - @lio.lib.LIO 13B3 13B3<br/> SPKRAMP_SYNC3 SPKRAMP_SYNC3 - @lio.lib.LIO 13A3 13A3<br/> SPKRCONN_L1_NOUT SPKRCONN_L1_NOUT - @lio.lib.LIO 13D1 14C3<br/> SPKRCONN_L1_POUT SPKRCONN_L1_POUT - @lio.lib.LIO 13D1 14C3<br/> SPKRCONN_L2_NOUT SPKRCONN_L2_NOUT - @lio.lib.LIO 13C1 14C3<br/> SPKRCONN_L2_POUT SPKRCONN_L2_POUT - @lio.lib.LIO 13C1 14C3<br/> SPKRCONN_R1_NOUT SPKRCONN_R1_NOUT - @lio.lib.LIO 13B1 14C3<br/> SPKRCONN_R1_POUT SPKRCONN_R1_POUT - @lio.lib.LIO 13B1 14C3<br/> SPKRCONN_R2_NOUT SPKRCONN_R2_NOUT - @lio.lib.LIO 13B1 14C3<br/> SPKRCONN_R2_POUT SPKRCONN_R2_POUT - @lio.lib.LIO 13B1 14C3<br/> SPKR_SHIELD SPKR_SHIELD - @lio.lib.LIO 14C2<br/> SYS_ONEWIRE SYS_ONEWIRE - @lio.lib.LIO 7C6 16C1<br/> SYS_ONEWIRE_BILAT SYS_ONEWIRE_BILAT - @lio.lib.LIO 16C2<br/> TONSEL TONSEL - @lio.lib.LIO 17C6<br/> TP_EXCARD_STBY_L TP_EXCARD_STBY_L - @lio.lib.LIO 6C7<br/> USB2_MINI_EMI_N USB2_MINI_EMI_N - @lio.lib.LIO 5B4<br/> USB2_MINI_EMI_P USB2_MINI_EMI_P - @lio.lib.LIO 5B4<br/> USB_LEFT2_EMI_N USB_LEFT2_EMI_N - @lio.lib.LIO 8C4<br/> USB_LEFT2_EMI_P USB_LEFT2_EMI_P - @lio.lib.LIO 8C4<br/> USB_LEFT2_GND USB_LEFT2_GND - @lio.lib.LIO 8C3<br/> USB_LEFT2_EMI_N USB_LEFT2_EMI_N - @lio.lib.LIO 8B4<br/> USB_LEFT2_EMI_P USB_LEFT2_EMI_P - @lio.lib.LIO 8B4<br/> USB_LEFT2_GND USB_LEFT2_GND - @lio.lib.LIO 8B3</p> |  |  |
| D |  |   |   |   |   |   |   | D |  |  |  |  |
| C |  |   |   |   |   |   |   | C |  |  |  |  |
| B |  |   |   |   |   |   |   | B |  |  |  |  |
| A |  |   |   |   |   |   |   | A |  |  |  |  |

|        | 8   | 7  | 6   | 5  | 4      | 3     | 2                              | 1 |                                |       |        |       |                                |  |                                |       |        |       |                                |  |                                |       |  |        |                                |        |                                |       |  |        |                                |        |                                |       |  |        |                                |        |                                |       |  |        |          |           |          |           |           |          |           |          |         |          |          |         |          |          |         |          |          |         |          |  |  |  |  |  |  |
|--------|---|--|---|--|--------|-------|--------------------------------|---|--------------------------------|-------|--------|-------|--------------------------------|--|--------------------------------|-------|--------|-------|--------------------------------|--|--------------------------------|-------|--|--------|--------------------------------|--------|--------------------------------|-------|--|--------|--------------------------------|--------|--------------------------------|-------|--|--------|--------------------------------|--------|--------------------------------|-------|--|--------|----------|-----------|----------|-----------|-----------|----------|-----------|----------|---------|----------|----------|---------|----------|----------|---------|----------|----------|---------|----------|--|--|--|--|--|--|
| D      | Title: Cref Part Report<br>Design: lio<br>Date: May 4 18:06:28 2007   |  | C7624 CAP_402 lio[17B5]<br>C7625 CAP_P_CASE-D2-LF lio[17D4]<br>C7650 CAP_603 lio[17B2]<br>C7651 CAP_603 lio[17B2]<br>C7652 CAP_P_CASE-C2-SM lio[17B1]<br>C7653 CAP_402 lio[17B3]<br>C7660 CAP_402 lio[17A3]<br>D4600 DIODE_SCHOT_3P_A_SC- lio[8A3]<br>75<br>D4610 DIODE_SCHOT_3P_A_SC- lio[8C4]<br>75<br>D6900 RCLAMP2402B_SC-75 lio[16C7]<br>D26700 SUPPR_TRANSIENT1_402 lio[14C5]<br>D26701 SUPPR_TRANSIENT1_402 lio[14C6]<br>D26702 SUPPR_TRANSIENT1_402 lio[14C5]<br>D26703 SUPPR_TRANSIENT1_402 lio[14C5]<br>D26750 SUPPR_TRANSIENT1_402 lio[14A5]<br>D26751 SUPPR_TRANSIENT1_402 lio[14A6]<br>D26752 SUPPR_TRANSIENT1_402 lio[14A5]<br>D26753 SUPPR_TRANSIENT1_402 lio[14A5]<br>F6900 FUSE_1206 lio[16D5]<br>FL3600 FILTER_4P_1210-4SM1 lio[7C3]<br>FL3601 FILTER_4P_1210-4SM1 lio[7B3]<br>J3400 CON_F52RT_D2MT_SM_F- lio[5C5]<br>ST-SM<br>J3500 CON_F26RT_S3MT_SM_M7 lio[6D2]<br>6_F-RT-SM<br>J3600 CON_M80ST_D4MT_SM_M- lio[7C4]<br>ST-SM<br>J4600 CON_F4RT_USB_S2MT_TH lio[8B2]<br>_F-RT-TH-USB-LFT<br>J4610 CON_F4RT_USB_S2MT_TH lio[8C2]<br>_F-RT-TH-USB-LFT<br>J6700 CON_F8RT_SPDIFFRAN_T lio[14C8]<br>H2_F-RT-TH<br>J6750 CON_F8RT_SPDIFRCVR_T lio[14B8]<br>H2_F-RT-TH<br>J6780 CON_M3ST_S_TH_M-ST-T lio[14D1]<br>H<br>J6781 CON_M5ST_S_TH_M-ST-T lio[14C1]<br>H<br>J6782 CON_M5ST_S_TH_M-ST-T lio[14C1]<br>H<br>J6900 CON_F5RT_S2MT_TH3_F- lio[16D8]<br>RT-TH-MG3<br>J9615 CON_M8RT_S_SM_M-RT-S lio[18C5]<br>M<br>L3400 FILTER_4P_1210-4SM1 lio[5B2]<br>L4600 FILTER_4P_1210-4SM1 lio[8B4]<br>L4601 IND_0603 lio[8B4]<br>L4610 FILTER_4P_1210-4SM1 lio[8C4]<br>L4611 IND_0603 lio[8D4]<br>L6200 IND_0402 lio[10A6]<br>L6201 IND_0402 lio[10D7]<br>L6202 IND_0402 lio[10D4]<br>L6300 IND_0402 lio[11C6]<br>L6500 IND_0402 lio[11D6]<br>L6501 IND_0402 lio[12C6]<br>L6601 IND_0402 lio[13C7]<br>L6610 IND_0402 lio[13D7]<br>L6620 IND_0402 lio[13C7]<br>L6630 IND_0402 lio[13B7]<br>L6640 IND_0402 lio[13A7]<br>L6700 FILTER_2P_0603 lio[14D4]<br>L6701 IND_0402 lio[14C4]<br>L6702 IND_0402 lio[14C4]<br>L6703 IND_0402 lio[14C4]<br>L6750 IND_0402 lio[14B4]<br>L6751 IND_0402 lio[14B4]<br>L6752 IND_0402 lio[14A4]<br>L6753 IND_0402 lio[14A4]<br>L6754 IND_0402 lio[14A4]<br>L6800 IND_0402 lio[15B2]<br>L6900 FILTER_4P_SM lio[16D6]<br>L6901 IND_SM-1 lio[16D6]<br>L7600 IND_HELP lio[17C2]<br>L7650 IND_HELP lio[17B2]<br>PD5801 PHOTODIODE_2P_TH-WTH lio[9C6]<br>-SPCR<br>Q3450 TRA_SINGLE_MOSFET_PC lio[5D2]<br>HN_SOT-23<br>Q5801 TRA_2N7002_SOT23-LF lio[9C5]<br>Q6800 TRA_DUAL_SSM6N15FE_S lio[15B6 15C6]<br>OT563<br>Q6801 TRA_DUAL_SSM6N15FE_S lio[15C5 15C5]<br>OT563<br>Q6802 TRA_SSM3K15FV_SOD-VE lio[15A6]<br>SM<br>Q6803 TRA_DUAL_SSM6N15FE_S lio[15A5 15A5]<br>OT563<br>Q6900 TRA_2N7002DW_SOT-363 lio[16C1 16C3]<br>Q6901 TRA_2N7002DW_SOT-363 lio[16C1 16C2]<br>Q6909 TRA_TP0610_SOT23-3 lio[16D2]<br>Q7600 TRA_FDM6296_MICROFET lio[17C3]<br>3X3<br>Q7601 TRA_FDM6296_MICROFET lio[17C3]<br>3X3<br>Q7610 TRA_IRF7707_TSSOP lio[17A7]<br>Q7650 TRA_FDM6296_MICROFET lio[17B3]<br>3X3<br>Q7651 TRA_FDM6296_MICROFET lio[17B3]<br>3X3<br>Q7660 TRA_IRF7707_TSSOP lio[17A3]<br>R3450 RES_402 lio[5C2]<br>R3451 RES_402 lio[5C2]<br>R3500 RES_402 lio[6C6]<br>R3561 RES_402 lio[6B3]<br>R5801 RES_402 lio[9C6]<br>R5802 RES_402 lio[9C6]<br>R5803 RES_402 lio[9C5]<br>R5804 RES_402 lio[9C5]<br>R5805 RES_402 lio[9C5]<br>R5806 RES_402 lio[9C4]<br>R5807 RES_402 lio[9C4]<br>R6200 RES_402 lio[10A7]<br>R6201 RES_402 lio[10B6]<br>R6202 RES_402 lio[10A6]<br>R6203 RES_402 lio[10C3]<br>R6204 RES_402 lio[10C7]<br>R6205 RES_402 lio[10B6]<br>R6206 RES_402 lio[10B4]<br>R6207 RES_402 lio[10B3]<br>R6220 RES_402 lio[10A6]<br>R6221 RES_402 lio[10A4]<br>R6222 RES_402 lio[10A4]<br>R6223 RES_402 lio[10A4]<br>R6224 RES_402 lio[10A4]<br>R6225 RES_402 lio[10A4]<br>R6226 RES_402 lio[10A4]<br>R6227 RES_402 lio[10A4]<br>R6228 RES_402 lio[10A4]<br>R6229 RES_402 lio[10A4]<br>R6230 RES_402 lio[10A4]<br>R6231 RES_402 lio[10A4]<br>R6232 RES_402 lio[10A4]<br>R6233 RES_402 lio[10A4]<br>R6234 RES_402 lio[10A4]<br>R6235 RES_402 lio[10A4]<br>R6236 RES_402 lio[10A4]<br>R6237 RES_402 lio[10A4]<br>R6238 RES_402 lio[10A4]<br>R6239 RES_402 lio[10A4]<br>R6240 RES_402 lio[10A4]<br>R6241 RES_402 lio[10A4]<br>R6242 RES_402 lio[10A4]<br>R6243 RES_402 lio[10A4]<br>R6244 RES_402 lio[10A4]<br>R6245 RES_402 lio[10A4]<br>R6246 RES_402 lio[10A4]<br>R6247 RES_402 lio[10A4]<br>R6248 RES_402 lio[10A4]<br>R6249 RES_402 lio[10A4]<br>R6250 RES_402 lio[10A4]<br>R6251 RES_402 lio[10A4]<br>R6252 RES_402 lio[10A4]<br>R6253 RES_402 lio[10A4]<br>R6254 RES_402 lio[10A4]<br>R6255 RES_402 lio[10A4]<br>R6256 RES_402 lio[10A4]<br>R6257 RES_402 lio[10A4]<br>R6258 RES_402 lio[10A4]<br>R6259 RES_402 lio[10A4]<br>R6260 RES_402 lio[10A4]<br>R6261 RES_402 lio[10A4]<br>R6262 RES_402 lio[10A4]<br>R6263 RES_402 lio[10A4]<br>R6264 RES_402 lio[10A4]<br>R6265 RES_402 lio[10A4]<br>R6266 RES_402 lio[10A4]<br>R6267 RES_402 lio[10A4]<br>R6268 RES_402 lio[10A4]<br>R6269 RES_402 lio[10A4]<br>R6270 RES_402 lio[10A4]<br>R6271 RES_402 lio[10A4]<br>R6272 RES_402 lio[10A4]<br>R6273 RES_402 lio[10A4]<br>R6274 RES_402 lio[10A4]<br>R6275 RES_402 lio[10A4]<br>R6276 RES_402 lio[10A4]<br>R6277 RES_402 lio[10A4]<br>R6278 RES_402 lio[10A4]<br>R6279 RES_402 lio[10A4]<br>R6280 RES_402 lio[10A4]<br>R6281 RES_402 lio[10A4]<br>R6282 RES_402 lio[10A4]<br>R6283 RES_402 lio[10A4]<br>R6284 RES_402 lio[10A4]<br>R6285 RES_402 lio[10A4]<br>R6286 RES_402 lio[10A4]<br>R6287 RES_402 lio[10A4]<br>R6288 RES_402 lio[10A4]<br>R6289 RES_402 lio[10A4]<br>R6290 RES_402 lio[10A4]<br>R6291 RES_402 lio[10A4]<br>R6292 RES_402 lio[10A4]<br>R6293 RES_402 lio[10A4]<br>R6294 RES_402 lio[10A4]<br>R6295 RES_402 lio[10A4]<br>R6296 RES_402 lio[10A4]<br>R6297 RES_402 lio[10A4]<br>R6298 RES_402 lio[10A4]<br>R6299 RES_402 lio[10A4]<br>R6300 RES_402 lio[10A4]<br>R6301 RES_402 lio[10A4]<br>R6302 RES_402 lio[10A4]<br>R6303 RES_402 lio[10A4]<br>R6310 RES_402 lio[11C4]<br>R6311 RES_402 lio[11C4]<br>R6312 RES_402 lio[11C4]<br>R6313 RES_402 lio[11C4]<br>R6320 RES_402 lio[11B4]<br>R6321 RES_402 lio[11B4]<br>R6322 RES_402 lio[11B4]<br>R6323 RES_402 lio[11B4]<br>R6500 RES_402 lio[12C5]<br>R6510 RES_402 lio[12B5]<br>R6511 RES_402 lio[12B4]<br>R6512 RES_402 lio[12B4]<br>R6513 RES_603 lio[12D3]<br>R6514 RES_402 lio[12C3]<br>R6520 RES_402 lio[12A5]<br>R6521 RES_402 lio[12A4]<br>R6522 RES_402 lio[12A4]<br>R6523 RES_603 lio[12C2]<br>R6524 RES_402 lio[12C3]<br>R6600 RES_402 lio[13D7]<br>R6601 RES_402 lio[13C7]<br>R6605 RES_402 lio[13C4]<br>R6606 RES_402 lio[13B4]<br>R6607 RES_402 lio[13B4]<br>R6610 RES_402 lio[13D2]<br>R6611 RES_402 lio[13D2]<br>R6620 RES_402 lio[13C2]<br>R6621 RES_402 lio[13C2]<br>R6630 RES_402 lio[13B2]<br>R6631 RES_402 lio[13B2]<br>R6640 RES_402 lio[13B2]<br>R6641 RES_402 lio[13B2]<br>R6700 RES_603 lio[14D6]<br>R6701 RES_402 lio[14C6]<br>R6702 RES_402 lio[14C6]<br>R6703 RES_402 lio[14C6]<br>R6704 RES_402 lio[14C6]<br>R6710 RES_402 lio[14C4]<br>R6750 RES_402 lio[14B6]<br>R6751 RES_402 lio[14B6]<br>R6752 RES_402 lio[14B6]<br>R6753 RES_402 lio[14A6]<br>R6754 RES_402 lio[14A6]<br>R6755 RES_402 lio[14B7]<br>R6780 RES_402 lio[14C2]<br>R6781 RES_402 lio[14C1]<br>R6790 RES_402 lio[14A2]<br>R6801 RES_402 lio[15C7]<br>R6802 RES_402 lio[15C7]<br>R6803 RES_402 lio[15B7]<br>R6805 RES_402 lio[15C5]<br>R6806 RES_402 lio[15C5]<br>R6811 RES_402 lio[15A7]<br>R6812 RES_402 lio[15A7]<br>R6813 RES_402 lio[15A6]<br>R6814 RES_402 lio[15A5]<br>R6815 RES_402 lio[15A5]<br>R6850 RES_402 lio[15D3]<br>R6852 RES_402 lio[15C3]<br>R6853 RES_402 lio[15C3]<br>R6854 RES_402 lio[15C3]<br>R6855 RES_402 lio[15D3]<br>R6861 RES_402 lio[15B7]<br>R6900 RES_402 lio[16C2]<br>R6901 RES_402 lio[16D2]<br>R6902 RES_402 lio[16D5]<br>R6904 RES_402 lio[16C6]<br>R6905 RES_402 lio[16D3]<br>R6909 RES_402 lio[16D1]<br>R6910 RES_402 lio[16D1]<br>R6911 RES_402 lio[16C2]<br>R6990 RES_402 lio[16C5]<br>R6991 RES_402 lio[16C4]<br>R6992 RES_402 lio[16B1]<br>R7610 RES_402 lio[17A8]<br>R7620 RES_402 lio[17C5]<br>R7621 RES_402 lio[17C6]<br>R7622 RES_402 lio[17C7]<br>R7625 RES_402 lio[17C6]<br>R7660 RES_402 lio[17A4]<br>SLO800 SLOT_TH lio[4A8]<br>U3500 PWR_CNTRL_TPS2231_QF lio[6C5]<br>N<br>U3551 MC74VHC1G00_SC70-5 lio[6A6]<br>U3560 MC74VHC1G00_SC70-5 lio[6B2]<br>U3561 SN74LVC1G04_BGA lio[6A3]<br>U4600 SWI_TPS2042B_MSOP lio[8B6]<br>U5801 OPAMP_MAX4236EUTT_SO lio[9C5]<br>T23-6-LF<br>U5802 TMP106_WCSP-6 lio[9B5]<br>U6200 AUDIO_ALC885B2_LQFP lio[10C5]<br>U6201 LREG_MAX1819_UCSP lio[10A5]<br>U6300 OPAMP_MAX4253_UMAX lio[11B4 11C4]<br>U6500 MAX9724A_TQFN lio[12D4]<br>U6610 MAX9705_TDFN1 lio[13D5]<br>U6620 MAX9705_TDFN1 lio[13C5]<br>U6630 MAX9705_TDFN1 lio[13B5]<br>U6640 MAX9705_TDFN1 lio[13A5]<br>U6990 COMPARATOR_LM397_SOT lio[16C4]<br>23-5<br>U7600 TPSS1120_LLP lio[17C6]<br>XW4600 SHORT_SM lio[8A4]<br>XW4601 SHORT_SM lio[8A4]<br>XW4610 SHORT_SM lio[8C4]<br>XW4611 SHORT_SM lio[8C4]<br>XW6500 SHORT_SM lio[12C6]<br>XW6501 SHORT_SM lio[12C5]<br>XW6710 SHORT_SM lio[14B2]<br>XW6711 SHORT_SM lio[14B2]<br>XW6712 SHORT_SM lio[14B2]<br>XW6800 SHORT_SM lio[15C3]<br>XW7600 SHORT_SM lio[17A4]<br>XW7601 SHORT_SM lio[17A7]<br>XW7602 SHORT_SM lio[17A7]<br>XW7603 SHORT_LAYER_2_SHORT_ lio[17A7]<br>L2_SM<br>XW7604 SHORT_LAYER_9_SHORT- lio[17A7] | <table border="1"> <tbody> <tr> <td>XW7605</td> <td>L9-SM</td> <td></td> </tr> <tr> <td></td> <td>SHORT_LAYER_2_SHORT_ lio[17A7]</td> <td></td> </tr> <tr> <td>XW7606</td> <td>L2_SM</td> <td></td> </tr> <tr> <td></td> <td>SHORT_LAYER_9_SHORT- lio[17A7]</td> <td></td> </tr> <tr> <td>XW7607</td> <td>L9-SM</td> <td></td> </tr> <tr> <td></td> <td>SHORT_LAYER_2_SHORT_ lio[17A7]</td> <td></td> </tr> <tr> <td></td> <td>L2_SM</td> <td></td> </tr> <tr> <td>XW7608</td> <td>SHORT_LAYER_2_SHORT_ lio[17A7]</td> <td></td> </tr> <tr> <td></td> <td>L2_SM</td> <td></td> </tr> <tr> <td>XW7609</td> <td>SHORT_LAYER_2_SHORT_ lio[17A7]</td> <td></td> </tr> <tr> <td></td> <td>L2_SM</td> <td></td> </tr> <tr> <td>XW7610</td> <td>SHORT_LAYER_2_SHORT_ lio[17A7]</td> <td></td> </tr> <tr> <td></td> <td>L2_SM</td> <td></td> </tr> <tr> <td>XW7611</td> <td>SHORT_SM</td> <td>lio[17A5]</td> </tr> <tr> <td>XW7612</td> <td>SHORT_SM</td> <td>lio[17A5]</td> </tr> <tr> <td>ZH0801</td> <td>MTGHOLE</td> <td>lio[4A8]</td> </tr> <tr> <td>ZH0802</td> <td>MTGHOLE</td> <td>lio[4A8]</td> </tr> <tr> <td>ZH0803</td> <td>MTGHOLE</td> <td>lio[4A8]</td> </tr> <tr> <td>ZH0804</td> <td>MTGHOLE</td> <td>lio[4A8]</td> </tr> </tbody> </table> | XW7605 | L9-SM |                                |   | SHORT_LAYER_2_SHORT_ lio[17A7] |       | XW7606 | L2_SM |                                |  | SHORT_LAYER_9_SHORT- lio[17A7] |       | XW7607 | L9-SM |                                |  | SHORT_LAYER_2_SHORT_ lio[17A7] |       |  | L2_SM  |                                | XW7608 | SHORT_LAYER_2_SHORT_ lio[17A7] |       |  | L2_SM  |                                | XW7609 | SHORT_LAYER_2_SHORT_ lio[17A7] |       |  | L2_SM  |                                | XW7610 | SHORT_LAYER_2_SHORT_ lio[17A7] |       |  | L2_SM  |          | XW7611    | SHORT_SM | lio[17A5] | XW7612    | SHORT_SM | lio[17A5] | ZH0801   | MTGHOLE | lio[4A8] | ZH0802   | MTGHOLE | lio[4A8] | ZH0803   | MTGHOLE | lio[4A8] | ZH0804   | MTGHOLE | lio[4A8] |  |  |  |  |  |  |
|        | XW7605  | L9-SM  |   |  |        |       |                                |   |                                |       |        |       |                                |  |                                |       |        |       |                                |  |                                |       |  |        |                                |        |                                |       |  |        |                                |        |                                |       |  |        |                                |        |                                |       |  |        |          |           |          |           |           |          |           |          |         |          |          |         |          |          |         |          |          |         |          |  |  |  |  |  |  |
|        | SHORT_LAYER_2_SHORT_ lio[17A7]  |  |   |  |        |       |                                |   |                                |       |        |       |                                |  |                                |       |        |       |                                |  |                                |       |  |        |                                |        |                                |       |  |        |                                |        |                                |       |  |        |                                |        |                                |       |  |        |          |           |          |           |           |          |           |          |         |          |          |         |          |          |         |          |          |         |          |  |  |  |  |  |  |
| XW7606 | L2_SM   |  |   |  |        |       |                                |   |                                |       |        |       |                                |  |                                |       |        |       |                                |  |                                |       |  |        |                                |        |                                |       |  |        |                                |        |                                |       |  |        |                                |        |                                |       |  |        |          |           |          |           |           |          |           |          |         |          |          |         |          |          |         |          |          |         |          |  |  |  |  |  |  |
|        | SHORT_LAYER_9_SHORT- lio[17A7]  |  |   |  |        |       |                                |   |                                |       |        |       |                                |  |                                |       |        |       |                                |  |                                |       |  |        |                                |        |                                |       |  |        |                                |        |                                |       |  |        |                                |        |                                |       |  |        |          |           |          |           |           |          |           |          |         |          |          |         |          |          |         |          |          |         |          |  |  |  |  |  |  |
| XW7607 | L9-SM   |  |   |  |        |       |                                |   |                                |       |        |       |                                |  |                                |       |        |       |                                |  |                                |       |  |        |                                |        |                                |       |  |        |                                |        |                                |       |  |        |                                |        |                                |       |  |        |          |           |          |           |           |          |           |          |         |          |          |         |          |          |         |          |          |         |          |  |  |  |  |  |  |
|        | SHORT_LAYER_2_SHORT_ lio[17A7]  |  |   |  |        |       |                                |   |                                |       |        |       |                                |  |                                |       |        |       |                                |  |                                |       |  |        |                                |        |                                |       |  |        |                                |        |                                |       |  |        |                                |        |                                |       |  |        |          |           |          |           |           |          |           |          |         |          |          |         |          |          |         |          |          |         |          |  |  |  |  |  |  |
|        | L2_SM   |  |   |  |        |       |                                |   |                                |       |        |       |                                |  |                                |       |        |       |                                |  |                                |       |  |        |                                |        |                                |       |  |        |                                |        |                                |       |  |        |                                |        |                                |       |  |        |          |           |          |           |           |          |           |          |         |          |          |         |          |          |         |          |          |         |          |  |  |  |  |  |  |
| XW7608 | SHORT_LAYER_2_SHORT_ lio[17A7]  |  |   |  |        |       |                                |   |                                |       |        |       |                                |  |                                |       |        |       |                                |  |                                |       |  |        |                                |        |                                |       |  |        |                                |        |                                |       |  |        |                                |        |                                |       |  |        |          |           |          |           |           |          |           |          |         |          |          |         |          |          |         |          |          |         |          |  |  |  |  |  |  |
|        | L2_SM   |  |   |  |        |       |                                |   |                                |       |        |       |                                |  |                                |       |        |       |                                |  |                                |       |  |        |                                |        |                                |       |  |        |                                |        |                                |       |  |        |                                |        |                                |       |  |        |          |           |          |           |           |          |           |          |         |          |          |         |          |          |         |          |          |         |          |  |  |  |  |  |  |
| XW7609 | SHORT_LAYER_2_SHORT_ lio[17A7]  |  |   |  |        |       |                                |   |                                |       |        |       |                                |  |                                |       |        |       |                                |  |                                |       |  |        |                                |        |                                |       |  |        |                                |        |                                |       |  |        |                                |        |                                |       |  |        |          |           |          |           |           |          |           |          |         |          |          |         |          |          |         |          |          |         |          |  |  |  |  |  |  |
|        | L2_SM   |  |   |  |        |       |                                |   |                                |       |        |       |                                |  |                                |       |        |       |                                |  |                                |       |  |        |                                |        |                                |       |  |        |                                |        |                                |       |  |        |                                |        |                                |       |  |        |          |           |          |           |           |          |           |          |         |          |          |         |          |          |         |          |          |         |          |  |  |  |  |  |  |
| XW7610 | SHORT_LAYER_2_SHORT_ lio[17A7]  |  |   |  |        |       |                                |   |                                |       |        |       |                                |  |                                |       |        |       |                                |  |                                |       |  |        |                                |        |                                |       |  |        |                                |        |                                |       |  |        |                                |        |                                |       |  |        |          |           |          |           |           |          |           |          |         |          |          |         |          |          |         |          |          |         |          |  |  |  |  |  |  |
|        | L2_SM   |  |   |  |        |       |                                |   |                                |       |        |       |                                |  |                                |       |        |       |                                |  |                                |       |  |        |                                |        |                                |       |  |        |                                |        |                                |       |  |        |                                |        |                                |       |  |        |          |           |          |           |           |          |           |          |         |          |          |         |          |          |         |          |          |         |          |  |  |  |  |  |  |
| XW7611 | SHORT_SM  | lio[17A5]  |   |  |        |       |                                |   |                                |       |        |       |                                |  |                                |       |        |       |                                |  |                                |       |  |        |                                |        |                                |       |  |        |                                |        |                                |       |  |        |                                |        |                                |       |  |        |          |           |          |           |           |          |           |          |         |          |          |         |          |          |         |          |          |         |          |  |  |  |  |  |  |
| XW7612 | SHORT_SM  | lio[17A5]  |   |  |        |       |                                |   |                                |       |        |       |                                |  |                                |       |        |       |                                |  |                                |       |  |        |                                |        |                                |       |  |        |                                |        |                                |       |  |        |                                |        |                                |       |  |        |          |           |          |           |           |          |           |          |         |          |          |         |          |          |         |          |          |         |          |  |  |  |  |  |  |
| ZH0801 | MTGHOLE   | lio[4A8]   |   |  |        |       |                                |   |                                |       |        |       |                                |  |                                |       |        |       |                                |  |                                |       |  |        |                                |        |                                |       |  |        |                                |        |                                |       |  |        |                                |        |                                |       |  |        |          |           |          |           |           |          |           |          |         |          |          |         |          |          |         |          |          |         |          |  |  |  |  |  |  |
| ZH0802 | MTGHOLE   | lio[4A8]   |   |  |        |       |                                |   |                                |       |        |       |                                |  |                                |       |        |       |                                |  |                                |       |  |        |                                |        |                                |       |  |        |                                |        |                                |       |  |        |                                |        |                                |       |  |        |          |           |          |           |           |          |           |          |         |          |          |         |          |          |         |          |          |         |          |  |  |  |  |  |  |
| ZH0803 | MTGHOLE   | lio[4A8]   |   |  |        |       |                                |   |                                |       |        |       |                                |  |                                |       |        |       |                                |  |                                |       |  |        |                                |        |                                |       |  |        |                                |        |                                |       |  |        |                                |        |                                |       |  |        |          |           |          |           |           |          |           |          |         |          |          |         |          |          |         |          |          |         |          |  |  |  |  |  |  |
| ZH0804 | MTGHOLE   | lio[4A8]   |   |  |        |       |                                |   |                                |       |        |       |                                |  |                                |       |        |       |                                |  |                                |       |  |        |                                |        |                                |       |  |        |                                |        |                                |       |  |        |                                |        |                                |       |  |        |          |           |          |           |           |          |           |          |         |          |          |         |          |          |         |          |          |         |          |  |  |  |  |  |  |
| C      | C3400 CAP_402 lio[5C3]<br>C3401 CAP_603 lio[5C3]<br>C3410 CAP_603 lio[5C3]<br>C3411 CAP_402 lio[5C3]<br>C3420 CAP_603 lio[5C3]<br>C3421 CAP_402 lio[5C3]<br>C3422 CAP_402 lio[5C3]<br>C3450 CAP_402 lio[5C3]<br>C3451 CAP_402 lio[5C2]<br>C3500 CAP_402 lio[6C4]<br>C3501 CAP_402 lio[6C4]<br>C3502 CAP_402 lio[6C4]<br>C3503 CAP_603 lio[6C4]<br>C3504 CAP_603 lio[6C4]<br>C3505 CAP_603 lio[6C4]<br>C3530 CAP_402 lio[6C8]<br>C3531 CAP_603 lio[6C7]<br>C3534 CAP_402 lio[6C8]<br>C3535 CAP_603 lio[6C7]<br>C3550 CAP_402 lio[6A7]<br>C3560 CAP_402 lio[6A3]<br>C4600 CAP_603 lio[8B7]<br>C4601 CAP_402 lio[8B7]<br>C4602 CAP_603 lio[8B6]<br>C4603 CAP_P_CASE-C2-SM lio[8B5]<br>C4612 CAP_603 lio[8C6]<br>C4613 CAP_P_CASE-C2-SM lio[8C5]<br>C4650 CAP_603 lio[8B3]<br>C4660 CAP_603 lio[8D3]<br>C5801 CAP_402 lio[9C6]<br>C5802 CAP_402 lio[9C5]<br>C5803 CAP_402 lio[9D5]<br>C5804 CAP_402 lio[9B5]<br>C5805 CAP_402 lio[9A4]<br>C6200 CAP_402 lio[10D6]<br>C6201 CAP_402 lio[10D6]<br>C6203 CAP_402 lio[10D6]<br>C6204 CAP_P_CASE-A3-LF lio[10D4]<br>C6205 CAP_P_CASE-A3-LF lio[10A4]<br>C6206 CAP_402 lio[10D4]<br>C6207 CAP_402 lio[10D3]<br>C6208 CAP_603 lio[10A6]<br>C6209 CAP_402 lio[10A5]<br>C6210 CAP_402 lio[10A6]<br>C6220 CAP_402 lio[10B6]<br>C6221 CAP_P_SMA-LF lio[10B4]<br>C6222 CAP_402 lio[10B4]<br>C6300 CAP_402 lio[11C4]<br>C6301 CAP_402 lio[11C4]<br>C6302 CAP_P_CASE-B2 lio[11B3]<br>C6303 CAP_402 lio[11B3]<br>C6310 CAP_P_CASE-R lio[11C5]<br>C6311 CAP_P_CASE-R lio[11C5]<br>C6312 CAP_805-1 lio[11C3]<br>C6320 CAP_P_CASE-R lio[11B5]<br>C6321 CAP_P_CASE-R lio[11B5]<br>C6322 CAP_805-1 lio[11B3]<br>C6500 CAP_0805 lio[12D5]<br>C6501 CAP_402 lio[12D5]<br>C6502 CAP_0805 lio[12C4]<br>C6503 CAP_402 lio[12C4]<br>C6504 CAP_603 lio[12C3]<br>C6510 CAP_P_SMA-LF lio[12B6]<br>C6511 CAP_402 lio[12B4]<br>C6512 CAP_603 lio[12B4]<br>C6520 CAP_P_SMA-LF lio[12A6]<br>C6521 CAP_402 lio[12A4]<br>C6522 CAP_603 lio[12B4]<br>C6600 CAP_P_CASE-B2 lio[13A3]<br>C6601 CAP_P_CASE-B2 lio[13A2]<br>C6610 CAP_402 lio[13D5]<br>C6611 CAP_402 lio[13D4]<br>C6612 CAP_P_CASE-B2 lio[13D4]<br>C6613 CAP_402 lio[13D6]<br>C6614 CAP_402 lio[13C6]<br>C6620 CAP_402 lio[13C5]<br>C6621 CAP_402 lio[13C5]<br>C6622 CAP_P_CASE-B2 lio[13C4]<br>C6623 CAP_402 lio[13C6]<br>C6624 CAP_402 lio[13B6]<br>C6630 CAP_402 lio[13B5]<br>C6631 CAP_402 lio[13B5]<br>C6632 CAP_P_CASE-B2 lio[13B4]<br>C6633 CAP_402 lio[13B6]<br>C6634 CAP_402 lio[13B6]<br>C6640 CAP_402 lio[13A5]<br>C6641 CAP_402 lio[13A5]<br>C6642 CAP_P_CASE-B2 lio[13A4]<br>C6643 CAP_402 lio[13A6]<br>C6644 CAP_402 lio[13A6]<br>C6700 CAP_402 lio[14C7]<br>C6702 CAP_402 lio[14C5]<br>C6750 CAP_402 lio[14A7]<br>C6751 CAP_603 lio[14A7]<br>C6752 CAP_402 lio[14A5]<br>C6800 CAP_402 lio[15B2]<br>C6801 CAP_402 lio[15C7]<br>C6802 CAP_402 lio[15B7]<br>C6811 CAP_402 lio[15A7]<br>C6850 CAP_402 lio[15C3]<br>C6851 CAP_402 lio[15C3]<br>C6852 CAP_402 lio[15C2]<br>C6853 CAP_603 lio[15D3]<br>C6900 CAP_805 lio[16D7]<br>C6901 CAP_805 lio[16D7]<br>C6903 CAP_402 lio[16D7]<br>C6904 CAP_603 lio[16D6]<br>C6905 CAP_603 lio[16D4]<br>C6906 CAP_402 lio[16C2]<br>C6907 CAP_402 lio[16B1]<br>C7600 CAP_603 lio[17D2]<br>C7601 CAP_805-2 lio[17C2]<br>C7602 CAP_P_CASE-C2-SM lio[17C1]<br>C7603 CAP_402 lio[17C3]<br>C7610 CAP_402 lio[17A7]<br>C7620 CAP_603 lio[17C6]<br>C7621 CAP_402 lio[17C7]<br>C7622 CAP_603 lio[17B5]<br>C7623 CAP_603 lio[17B5] | <table border="1"> <tbody> <tr> <td>XW7605</td> <td>L9-SM</td> <td></td> </tr> <tr> <td></td> <td>SHORT_LAYER_2_SHORT_ lio[17A7]</td> <td></td> </tr> <tr> <td>XW7606</td> <td>L2_SM</td> <td></td> </tr> <tr> <td></td> <td>SHORT_LAYER_9_SHORT- lio[17A7]</td> <td></td> </tr> <tr> <td>XW7607</td> <td>L9-SM</td> <td></td> </tr> <tr> <td></td> <td>SHORT_LAYER_2_SHORT_ lio[17A7]</td> <td></td> </tr> <tr> <td></td> <td>L2_SM</td> <td></td> </tr> <tr> <td>XW7608</td> <td>SHORT_LAYER_2_SHORT_ lio[17A7]</td> <td></td> </tr> <tr> <td></td> <td>L2_SM</td> <td></td> </tr> <tr> <td>XW7609</td> <td>SHORT_LAYER_2_SHORT_ lio[17A7]</td> <td></td> </tr> <tr> <td></td> <td>L2_SM</td> <td></td> </tr> <tr> <td>XW7610</td> <td>SHORT_LAYER_2_SHORT_ lio[17A7]</td> <td></td> </tr> <tr> <td></td> <td>L2_SM</td> <td></td> </tr> <tr> <td>XW7611</td> <td>SHORT_SM</td> <td>lio[17A5]</td> </tr> <tr> <td>XW7612</td> <td>SHORT_SM</td> <td>lio[17A5]</td> </tr> <tr> <td>ZH0801</td> <td>MTGHOLE</td> <td>lio[4A8]</td> </tr> <tr> <td>ZH0802</td> <td>MTGHOLE</td> <td>lio[4A8]</td> </tr> <tr> <td>ZH0803</td> <td>MTGHOLE</td> <td>lio[4A8]</td> </tr> <tr> <td>ZH0804</td> <td>MTGHOLE</td> <td>lio[4A8]</td> </tr> </tbody> </table> | XW7605  | L9-SM  |        |       | SHORT_LAYER_2_SHORT_ lio[17A7] |   | XW7606                         | L2_SM |        |       | SHORT_LAYER_9_SHORT- lio[17A7] |  | XW7607                         | L9-SM |        |       | SHORT_LAYER_2_SHORT_ lio[17A7] |  |                                | L2_SM |  | XW7608 | SHORT_LAYER_2_SHORT_ lio[17A7] |        |                                | L2_SM |  | XW7609 | SHORT_LAYER_2_SHORT_ lio[17A7] |        |                                | L2_SM |  | XW7610 | SHORT_LAYER_2_SHORT_ lio[17A7] |        |                                | L2_SM |  | XW7611 | SHORT_SM | lio[17A5] | XW7612   | SHORT_SM  | lio[17A5] | ZH0801   | MTGHOLE   | lio[4A8] | ZH0802  | MTGHOLE  | lio[4A8] | ZH0803  | MTGHOLE  | lio[4A8] | ZH0804  | MTGHOLE  | lio[4A8] |         |          |  |  |  |  |  |  |
|        | XW7605  | L9-SM  |   |  |        |       |                                |   |                                |       |        |       |                                |  |                                |       |        |       |                                |  |                                |       |  |        |                                |        |                                |       |  |        |                                |        |                                |       |  |        |                                |        |                                |       |  |        |          |           |          |           |           |          |           |          |         |          |          |         |          |          |         |          |          |         |          |  |  |  |  |  |  |
|        | SHORT_LAYER_2_SHORT_ lio[17A7]  |  |   |  |        |       |                                |   |                                |       |        |       |                                |  |                                |       |        |       |                                |  |                                |       |  |        |                                |        |                                |       |  |        |                                |        |                                |       |  |        |                                |        |                                |       |  |        |          |           |          |           |           |          |           |          |         |          |          |         |          |          |         |          |          |         |          |  |  |  |  |  |  |
| XW7606 | L2_SM   |  |   |  |        |       |                                |   |                                |       |        |       |                                |  |                                |       |        |       |                                |  |                                |       |  |        |                                |        |                                |       |  |        |                                |        |                                |       |  |        |                                |        |                                |       |  |        |          |           |          |           |           |          |           |          |         |          |          |         |          |          |         |          |          |         |          |  |  |  |  |  |  |
|        | SHORT_LAYER_9_SHORT- lio[17A7]  |  |   |  |        |       |                                |   |                                |       |        |       |                                |  |                                |       |        |       |                                |  |                                |       |  |        |                                |        |                                |       |  |        |                                |        |                                |       |  |        |                                |        |                                |       |  |        |          |           |          |           |           |          |           |          |         |          |          |         |          |          |         |          |          |         |          |  |  |  |  |  |  |
| XW7607 | L9-SM   |  |   |  |        |       |                                |   |                                |       |        |       |                                |  |                                |       |        |       |                                |  |                                |       |  |        |                                |        |                                |       |  |        |                                |        |                                |       |  |        |                                |        |                                |       |  |        |          |           |          |           |           |          |           |          |         |          |          |         |          |          |         |          |          |         |          |  |  |  |  |  |  |
|        | SHORT_LAYER_2_SHORT_ lio[17A7]  |  |   |  |        |       |                                |   |                                |       |        |       |                                |  |                                |       |        |       |                                |  |                                |       |  |        |                                |        |                                |       |  |        |                                |        |                                |       |  |        |                                |        |                                |       |  |        |          |           |          |           |           |          |           |          |         |          |          |         |          |          |         |          |          |         |          |  |  |  |  |  |  |
|        | L2_SM   |  |   |  |        |       |                                |   |                                |       |        |       |                                |  |                                |       |        |       |                                |  |                                |       |  |        |                                |        |                                |       |  |        |                                |        |                                |       |  |        |                                |        |                                |       |  |        |          |           |          |           |           |          |           |          |         |          |          |         |          |          |         |          |          |         |          |  |  |  |  |  |  |
| XW7608 | SHORT_LAYER_2_SHORT_ lio[17A7]  |  |   |  |        |       |                                |   |                                |       |        |       |                                |  |                                |       |        |       |                                |  |                                |       |  |        |                                |        |                                |       |  |        |                                |        |                                |       |  |        |                                |        |                                |       |  |        |          |           |          |           |           |          |           |          |         |          |          |         |          |          |         |          |          |         |          |  |  |  |  |  |  |
|        | L2_SM   |  |   |  |        |       |                                |   |                                |       |        |       |                                |  |                                |       |        |       |                                |  |                                |       |  |        |                                |        |                                |       |  |        |                                |        |                                |       |  |        |                                |        |                                |       |  |        |          |           |          |           |           |          |           |          |         |          |          |         |          |          |         |          |          |         |          |  |  |  |  |  |  |
| XW7609 | SHORT_LAYER_2_SHORT_ lio[17A7]  |  |   |  |        |       |                                |   |                                |       |        |       |                                |  |                                |       |        |       |                                |  |                                |       |  |        |                                |        |                                |       |  |        |                                |        |                                |       |  |        |                                |        |                                |       |  |        |          |           |          |           |           |          |           |          |         |          |          |         |          |          |         |          |          |         |          |  |  |  |  |  |  |
|        | L2_SM   |  |   |  |        |       |                                |   |                                |       |        |       |                                |  |                                |       |        |       |                                |  |                                |       |  |        |                                |        |                                |       |  |        |                                |        |                                |       |  |        |                                |        |                                |       |  |        |          |           |          |           |           |          |           |          |         |          |          |         |          |          |         |          |          |         |          |  |  |  |  |  |  |
| XW7610 | SHORT_LAYER_2_SHORT_ lio[17A7]  |  |   |  |        |       |                                |   |                                |       |        |       |                                |  |                                |       |        |       |                                |  |                                |       |  |        |                                |        |                                |       |  |        |                                |        |                                |       |  |        |                                |        |                                |       |  |        |          |           |          |           |           |          |           |          |         |          |          |         |          |          |         |          |          |         |          |  |  |  |  |  |  |
|        | L2_SM   |  |   |  |        |       |                                |   |                                |       |        |       |                                |  |                                |       |        |       |                                |  |                                |       |  |        |                                |        |                                |       |  |        |                                |        |                                |       |  |        |                                |        |                                |       |  |        |          |           |          |           |           |          |           |          |         |          |          |         |          |          |         |          |          |         |          |  |  |  |  |  |  |
| XW7611 | SHORT_SM  | lio[17A5]  |   |  |        |       |                                |   |                                |       |        |       |                                |  |                                |       |        |       |                                |  |                                |       |  |        |                                |        |                                |       |  |        |                                |        |                                |       |  |        |                                |        |                                |       |  |        |          |           |          |           |           |          |           |          |         |          |          |         |          |          |         |          |          |         |          |  |  |  |  |  |  |
| XW7612 | SHORT_SM  | lio[17A5]  |   |  |        |       |                                |   |                                |       |        |       |                                |  |                                |       |        |       |                                |  |                                |       |  |        |                                |        |                                |       |  |        |                                |        |                                |       |  |        |                                |        |                                |       |  |        |          |           |          |           |           |          |           |          |         |          |          |         |          |          |         |          |          |         |          |  |  |  |  |  |  |
| ZH0801 | MTGHOLE   | lio[4A8]   |   |  |        |       |                                |   |                                |       |        |       |                                |  |                                |       |        |       |                                |  |                                |       |  |        |                                |        |                                |       |  |        |                                |        |                                |       |  |        |                                |        |                                |       |  |        |          |           |          |           |           |          |           |          |         |          |          |         |          |          |         |          |          |         |          |  |  |  |  |  |  |
| ZH0802 | MTGHOLE   | lio[4A8]   |   |  |        |       |                                |   |                                |       |        |       |                                |  |                                |       |        |       |                                |  |                                |       |  |        |                                |        |                                |       |  |        |                                |        |                                |       |  |        |                                |        |                                |       |  |        |          |           |          |           |           |          |           |          |         |          |          |         |          |          |         |          |          |         |          |  |  |  |  |  |  |
| ZH0803 | MTGHOLE   | lio[4A8]   |   |  |        |       |                                |   |                                |       |        |       |                                |  |                                |       |        |       |                                |  |                                |       |  |        |                                |        |                                |       |  |        |                                |        |                                |       |  |        |                                |        |                                |       |  |        |          |           |          |           |           |          |           |          |         |          |          |         |          |          |         |          |          |         |          |  |  |  |  |  |  |
| ZH0804 | MTGHOLE   | lio[4A8]   |   |  |        |       |                                |   |                                |       |        |       |                                |  |                                |       |        |       |                                |  |                                |       |  |        |                                |        |                                |       |  |        |                                |        |                                |       |  |        |                                |        |                                |       |  |        |          |           |          |           |           |          |           |          |         |          |          |         |          |          |         |          |          |         |          |  |  |  |  |  |  |
| B      | C3500 CAP_402 lio[6C4]<br>C3501 CAP_402 lio[6C4]<br>C3502 CAP_402 lio[6C4]<br>C3503 CAP_603 lio[6C4]<br>C3504 CAP_603 lio[6C4]<br>C3505 CAP_603 lio[6C4]<br>C3530 CAP_402 lio[6C8]<br>C3531 CAP_603 lio[6C7]<br>C3534 CAP_402 lio[6C8]<br>C3535 CAP_603 lio[6C7]<br>C3550 CAP_402 lio[6A7]<br>C3560 CAP_402 lio[6A3]<br>C4600 CAP_603 lio[8B7]<br>C4601 CAP_402 lio[8B7]<br>C4602 CAP_603 lio[8B6]<br>C4603 CAP_P_CASE-C2-SM lio[8B5]<br>C4612 CAP_603 lio[8C6]<br>C4613 CAP_P_CASE-C2-SM lio[8C5]<br>C4650 CAP_603 lio[8B3]<br>C4660 CAP_603 lio[8D3]<br>C5801 CAP_402 lio[9C6]<br>C5802 CAP_402 lio[9C5]<br>C5803 CAP_402 lio[9D5]<br>C5804 CAP_402 lio[9B5]<br>C5805 CAP_402 lio[9A4]<br>C6200 CAP_402 lio[10D6]<br>C6201 CAP_402 lio[10D6]<br>C6203 CAP_402 lio[10D6]<br>C6204 CAP_P_CASE-A3-LF lio[10D4]<br>C6205 CAP_P_CASE-A3-LF lio[10A4]<br>C6206 CAP_402 lio[10D4]<br>C6207 CAP_402 lio[10D3]<br>C6208 CAP_603 lio[10A6]<br>C6209 CAP_402 lio[10A5]<br>C6210 CAP_402 lio[10A6]<br>C6220 CAP_402 lio[10B6]<br>C6221 CAP_P_SMA-LF lio[10B4]<br>C6222 CAP_402 lio[10B4]<br>C6300 CAP_402 lio[11C4]<br>C6301 CAP_402 lio[11C4]<br>C6302 CAP_P_CASE-B2 lio[11B3]<br>C6303 CAP_402 lio[11B3]<br>C6310 CAP_P_CASE-R lio[11C5]<br>C6311 CAP_P_CASE-R lio[11C5]<br>C6312 CAP_805-1 lio[11C3]<br>C6320 CAP_P_CASE-R lio[11B5]<br>C6321 CAP_P_CASE-R lio[11B5]<br>C6322 CAP_805-1 lio[11B3]<br>C6500 CAP_0805 lio[12D5]<br>C6501 CAP_402 lio[12D5]<br>C6502 CAP_0805 lio[12C4]<br>C6503 CAP_402 lio[12C4]<br>C6504 CAP_603 lio[12C3]<br>C6510 CAP_P_SMA-LF lio[12B6]<br>C6511 CAP_402 lio[12B4]<br>C6512 CAP_603 lio[12B4]<br>C6520 CAP_P_SMA-LF lio[12A6]<br>C6521 CAP_402 lio[12A4]<br>C6522 CAP_603 lio[12B4]<br>C6600 CAP_P_CASE-B2 lio[13A3]<br>C6601 CAP_P_CASE-B2 lio[13A2]<br>C6610 CAP_402 lio[13D5]<br>C6611 CAP_402 lio[13D4]<br>C6612 CAP_P_CASE-B2 lio[13D4]<br>C6613 CAP_402 lio[13D6]<br>C6614 CAP_402 lio[13C6]<br>C6620 CAP_402 lio[13C5]<br>C6621 CAP_402 lio[13C5]<br>C6622 CAP_P_CASE-B2 lio[13C4]<br>C6623 CAP_402 lio[13C6]<br>C6624 CAP_402 lio[13B6]<br>C6630 CAP_402 lio[13B5]<br>C6631 CAP_402 lio[13B5]<br>C6632 CAP_P_CASE-B2 lio[13B4]<br>C6633 CAP_402 lio[13B6]<br>C6634 CAP_402 lio[13B6]<br>C6640 CAP_402 lio[13A5]<br>C6641 CAP_402 lio[13A5]<br>C6642 CAP_P_CASE-B2 lio[13A4]<br>C6643 CAP_402 lio[13A6]<br>C6644 CAP_402 lio[13A6]<br>C6700 CAP_402 lio[14C7]<br>C6702 CAP_402 lio[14C5]<br>C6750 CAP_402 lio[14A7]<br>C6751 CAP_603 lio[14A7]<br>C6752 CAP_402 lio[14A5]<br>C6800 CAP_402 lio[15B2]<br>C6801 CAP_402 lio[15C7]<br>C6802 CAP_402 lio[15B7]<br>C6811 CAP_402 lio[15A7]<br>C6850 CAP_402 lio[15C3]<br>C6851 CAP_402 lio[15C3]<br>C6852 CAP_402 lio[15C2]<br>C6853 CAP_603 lio[15D3]<br>C6900 CAP_805 lio[16D7]<br>C6901 CAP_805 lio[16D7]<br>C6903 CAP_402 lio[16D7]<br>C6904 CAP_603 lio[16D6]<br>C6905 CAP_603 lio[16D4]<br>C6906 CAP_402 lio[16C2]<br>C6  |  |   |  |        |       |                                |   |                                |       |        |       |                                |  |                                |       |        |       |                                |  |                                |       |  |        |                                |        |                                |       |  |        |                                |        |                                |       |  |        |                                |        |                                |       |  |        |          |           |          |           |           |          |           |          |         |          |          |         |          |          |         |          |          |         |          |  |  |  |  |  |  |