

1. ALL RESISTANCE VALUES ARE IN OHMS, 0.1 WATT +/- 5%.
2. ALL CAPACITANCE VALUES ARE IN MICROFARADS.
3. ALL CRYSTALS & OSCILLATOR VALUES ARE IN HERTZ.

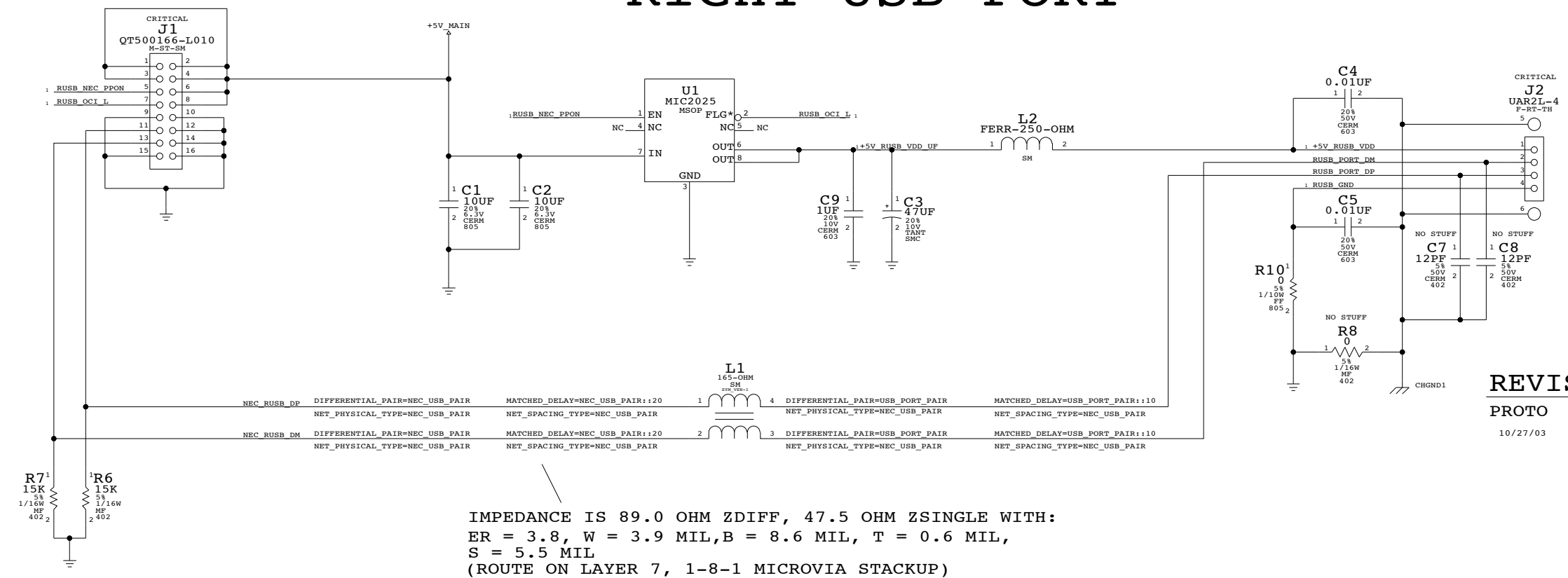
REV	ZONE	ECN	DESCRIPTION OF CHANGE	CK APPD	ENG APPD
			DATE	DATE	DATE
01		247523	ENGINEERING RELEASED		12/03/02 ?

PAGE	CONTENTS
1	TITLE PAGE/RIGHT USB/CONSTRAINTS

# SCHEM, MINI, Q16A

Mon Oct 27 17:03:52 2003

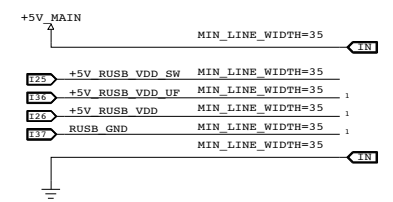
## RIGHT USB PORT



### REVISION HISTORY

PROTO  
 10/27/03 1/ SCHEMATIC ORIGINATED FROM Q16 RIGHT USB BOARD

PART#	QTY	DESCRIPTION	REFERENCE DESIGNATOR(S)	BOM OPTION
051-6571	1	SCHEM, MINI, Q16A	SCH1	
820-1601	1	PCBF, MINI, Q16A	PCB1	



DIMENSIONS ARE IN MILLIMETERS XX : _____ X.XX : _____ X.XXX : _____ ANGLES : _____ DO NOT SCALE DRAWING	<b>METRIC</b>		Apple Computer Inc. <b>NOTICE OF PROPRIETARY PROPERTY</b> THE INFORMATION CONTAINED HEREIN IS THE PROPRIETARY PROPERTY OF APPLE COMPUTER, INC. THE POSSESSOR AGREES TO THE FOLLOWING: I TO MAINTAIN THE DOCUMENT IN CONFIDENCE II NOT TO REPRODUCE OR COPY IT III NOT TO REVEAL OR PUBLISH IN WHOLE OR PART	
	DRAFTER ENG APPD QA APPD RELEASE	DESIGN CR MFG APPD DESIGNER SCALE		TITLE <b>SCHEM, MINI, Q16A</b>
	MATERIAL/FINISH NOTED AS APPLICABLE	SIZE <b>D</b>		DRAWING NUMBER <b>051-6571</b>
	THIRD ANGLE PROJECTION			REV. <b>01</b> SHT 1 OF 1