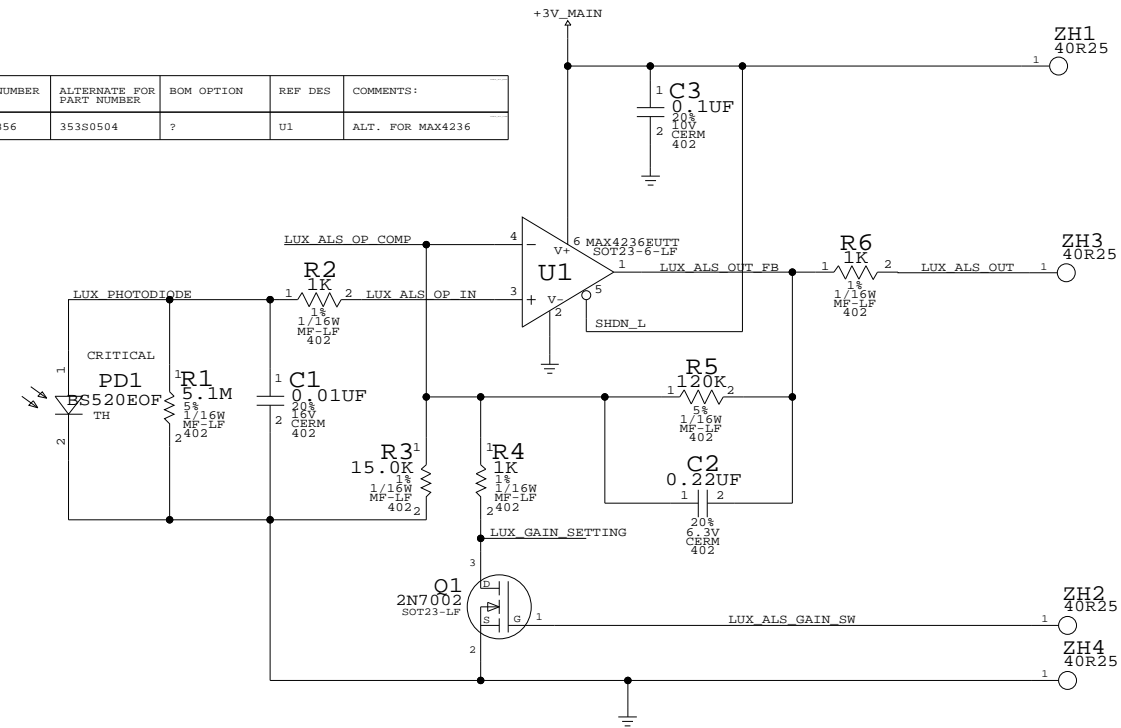


1. ALL RESISTANCE VALUES ARE IN OHMS, 0.1 WATT +/- 5%.
2. ALL CAPACITANCE VALUES ARE IN MICROFARADS.
3. ALL CRYSTALS & OSCILLATOR VALUES ARE IN HERTZ.

REV	ZONE	ECN	DESCRIPTION OF CHANGE	CK APPD DATE	ENG APPD DATE
02		384036	ENGINEERING RELEASED	06/01/05	?

SCHEM, FLASH, Q16C

PART NUMBER	ALTERNATE FOR PART NUMBER	BOM OPTION	REF DES	COMMENTS:
353S0856	353S0504	?	U1	ALT. FOR MAX4236



THROUGH-HOLE PINS MUST BE PLACED IN THE FOLLOWING ORDER:
POWER IS PLACED CLOSEST TO PHOTODIODE

- 1) POWER
- 2) GAIN_SW
- 3) ALS_OUT
- 4) GROUND

REVISION HISTORY
04/26/2005 - REV 01
1/ SCHEMATIC FROM Q16 LUX
06/01/2005 - REV 02
1/ LEAD FREE PARTS

PART#	QTY	DESCRIPTION	REFERENCE DESIGNATOR(S)	BOM OPTION
051-6849	1	SCHEM, FLASH, Q16C	SCH1	
820-1822	1	PCBF, FLASH, Q16C	PCB1	

DIMENSIONS ARE IN MILLIMETERS		METRIC		Apple Computer Inc.	
XX :	_____	DRAPTR	DESIGN CK	NOTICE OF PROPRIETARY PROPERTY THE INFORMATION CONTAINED HEREIN IS THE PROPRIETARY PROPERTY OF APPLE COMPUTER, INC. THE POSSESSOR AGREES TO THE FOLLOWING: I TO MAINTAIN THE DOCUMENT IN CONFIDENCE II NOT TO REPRODUCE OR COPY IT III NOT TO REVEAL OR PUBLISH IN WHOLE OR PART	
X.XX :	_____	ENG APPD	MFG APPD		
X.XXX :	_____	QA APPD	DESIGNER		
ANGLES :	_____	RELEASE	SCALE		
DO NOT SCALE DRAWING		NONE		TITLE	
 THIRD ANGLE PROJECTION		MATERIAL/FINISH NOTED AS APPLICABLE		SIZE D	DRAWING NUMBER
				051-6849	REV. 02
				SHT 1 OF 1	