

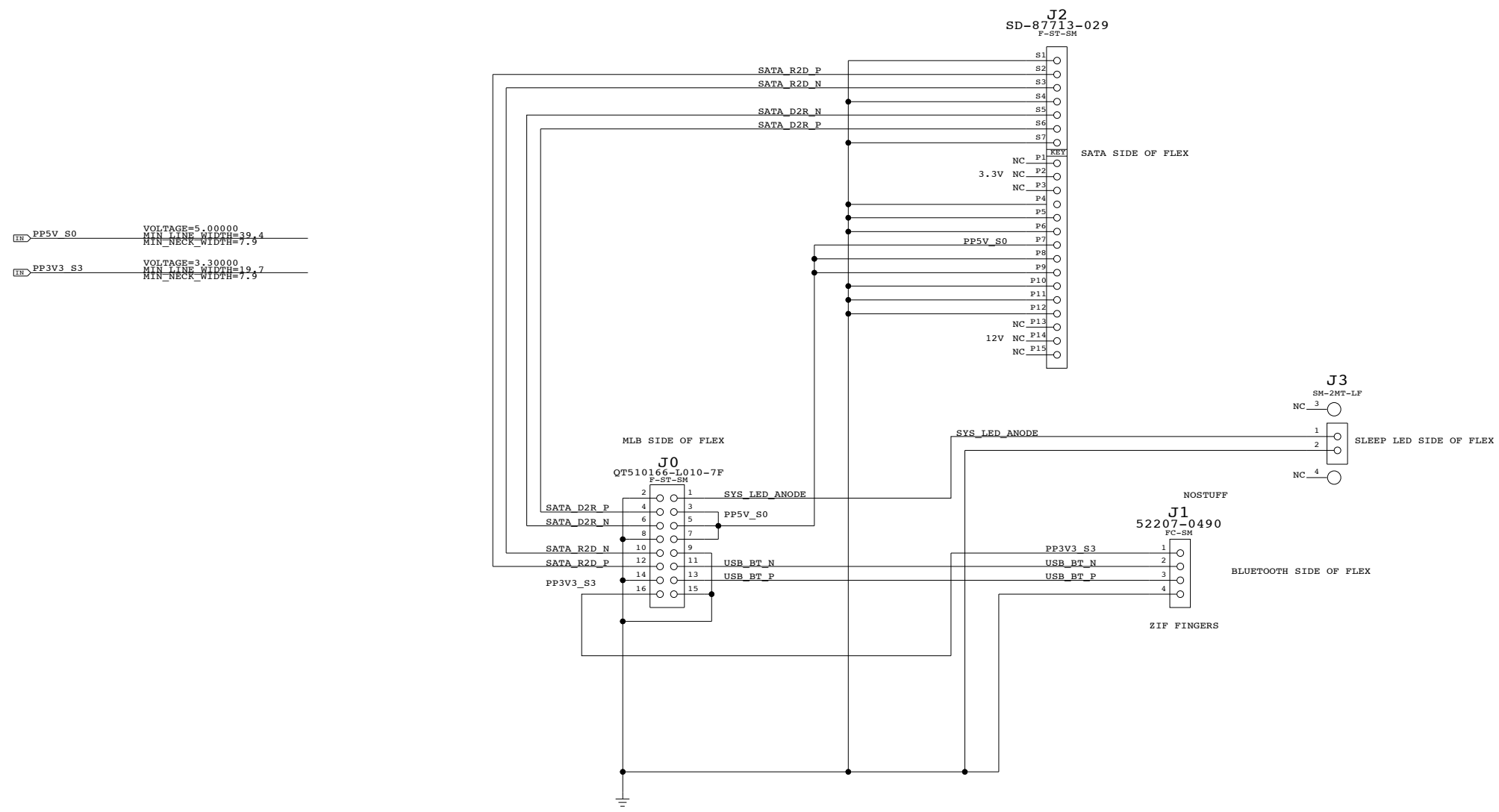
1. ALL RESISTANCE VALUES ARE IN OHMS, 0.1 WATT +/- 5%.
2. ALL CAPACITANCE VALUES ARE IN MICROFARADS.
3. ALL CRYSTALS & OSCILLATOR VALUES ARE IN HERTZ.

REV	ZONE	ECN	DESCRIPTION OF CHANGE	CK APPD	ENG APPD
				DATE	DATE
04		398188	ENGINEERING RELEASED	09/02/05	?

SCHEM, FLEX, HDD/BT, M1

EVT

09/1/05



PART#	QTY	DESCRIPTION	REFERENCE DESIGNATOR(S)	CRITICAL	BOM OPTION
051-6959	1	SCHEM, FLEX, HDD/BT, M1	SCH1	?	?
821-0403	1	PCBP, FLEX, SATA/BT, M1	PCB1	?	?
632-0368	1	PCBA, FLEX, HDD/BT, M1	BOM1	?	OMIT

DIMENSIONS ARE IN MILLIMETERS		METRIC		Apple Computer Inc.	
xx : _____		DRAPTR	DESIGN CK	NOTICE OF PROPRIETARY PROPERTY THE INFORMATION CONTAINED HEREIN IS THE PROPRIETARY PROPERTY OF APPLE COMPUTER, INC. THE POSSESSOR AGREES TO THE FOLLOWING: I TO MAINTAIN THE DOCUMENT IN CONFIDENCE II NOT TO REPRODUCE OR COPY IT III NOT TO REVEAL OR PUBLISH IN WHOLE OR PART	
x.xx : _____		ENG APPD	MFG APPD		
x.xxx : _____		QA APPD	DESIGNER		
ANGLES : _____		RELEASE	SCALE		
DO NOT SCALE DRAWING		NONE		TITLE	
 THIRD ANGLE PROJECTION		MATERIAL/FINISH NOTED AS APPLICABLE		SIZE D	TITLE
				DRAWING NUMBER	REV. 04
				051-6959	1 OF 1