

1. ALL RESISTANCE VALUES ARE IN OHMS, 0.1 WATT +/- 5%.
2. ALL CAPACITANCE VALUES ARE IN MICROFARADS.
3. ALL CRYSTALS & OSCILLATOR VALUES ARE IN HERTZ.

REV	ZONE	ECN	DESCRIPTION OF CHANGE	CK APPD DATE	ENG APPD DATE
		485218	EVT Release	?	?


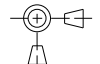
SCHEM, LIMA, M76

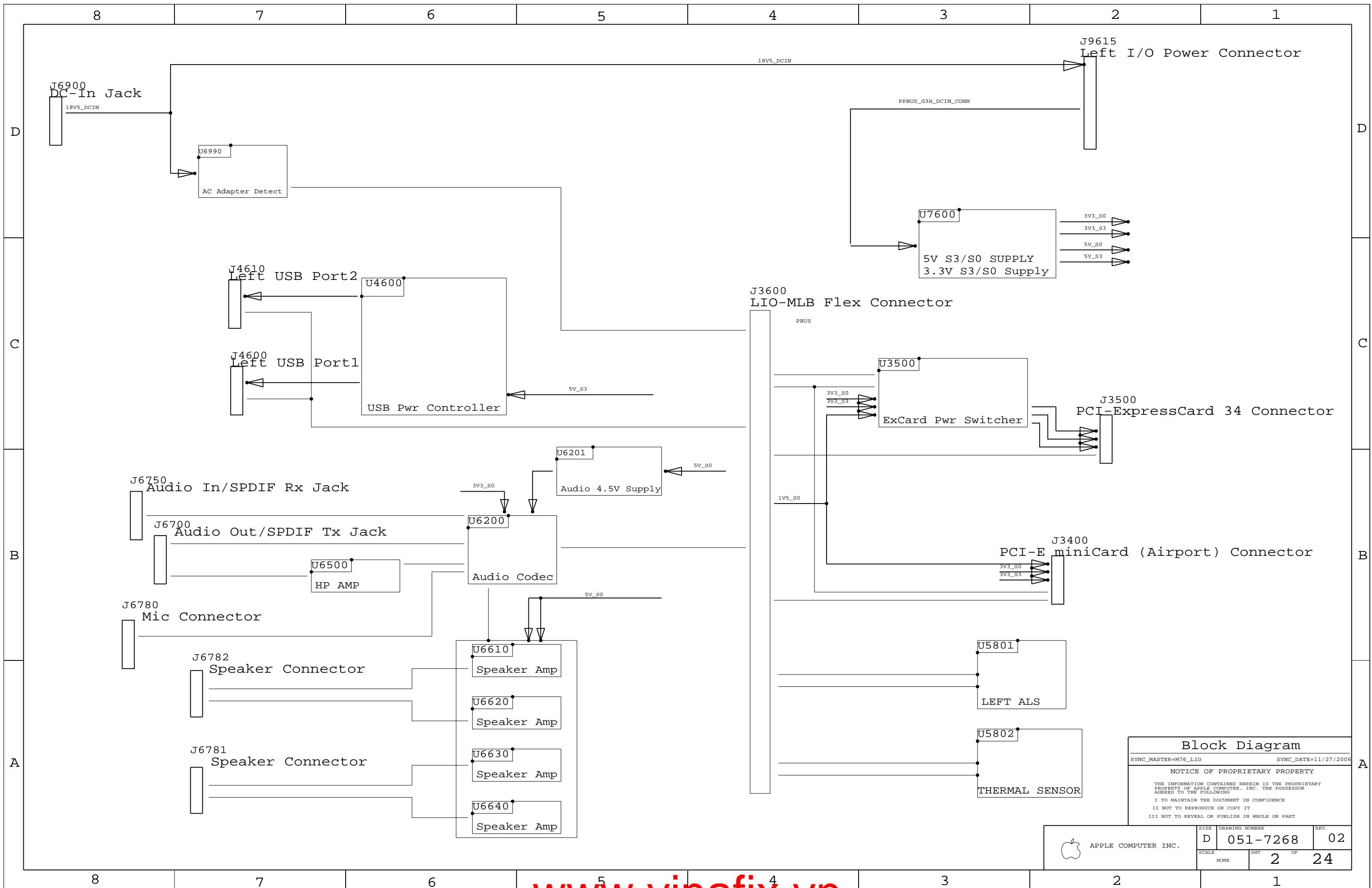
EVT

02/05/07

PDF PAGE	CSA PAGE	CONTENTS	SYNC MASTER	DATE
1	1	Table of Contents	M76_LIO	11/27/2006
2	2	Block Diagram	M76_LIO	11/27/2006
3	4	BOM CONFIGURATION	M76_LIO	11/27/2006
4	8	Aliases	M76_LIO	11/27/2006
5	34	PCI-E MiniCard Connector	M75_LIO	02/05/2007
6	35	ExpressCard Connector	M75_LIO	02/05/2007
7	36	MLB I/O Board Connector	M76_LIO	11/27/2006
8	46	Left USB Port	M76_LIO	11/27/2006
9	58	Left ALS	M76_LIO	11/27/2006
10	62	AUDIO:CODEC	M76_AUDIO	02/05/2007
11	63	AUDIO: LINE IN	M76_AUDIO	02/05/2007
12	65	AUDIO: HEADPHONE AMP	M76_AUDIO	02/05/2007
13	66	AUDIO:SPEAKER AMP	M76_AUDIO	02/05/2007
14	67	AUDIO: JACKS	M76_AUDIO	02/05/2007
15	68	AUDIO: JACK TRANSLATORS	M76_AUDIO	02/05/2007
16	69	DC-In & Battery Connectors	M76_LIO	11/27/2006
17	76	5V/3.3V SUPPLY	M57_LIO	11/30/2006
18	96	LEFT I/O POWER CONNECTOR	M76_LIO	11/27/2006
19	97	Cross Reference Page	M76_LIO	11/27/2006
20	98	Cross Reference Page	M76_LIO	11/27/2006
21	100	HISTORY: NON-AUDIO	(MASTER)	(MASTER)
22	101		M76_AUDIO	02/05/2007
23	102	Cross Reference Page		
24	103	Cross Reference Page		

PART#	QTY	DESCRIPTION	REFERENCE DESIGNATOR(S)	CRITICAL	BOM OPTION
051-7268	1	SCHEM, LIO, M76	SCH	CRITICAL	
820-2140	1	PCBF, LIO, M76	PCB	CRITICAL	

DIMENSIONS ARE IN MILLIMETERS		METRIC		 Apple Computer Inc.	
XX : _____		DRAPTER	DESIGN CK	NOTICE OF PROPRIETARY PROPERTY THE INFORMATION CONTAINED HEREIN IS THE PROPRIETARY PROPERTY OF APPLE COMPUTER, INC. THE POSSESSOR AGREES TO THE FOLLOWING: I TO MAINTAIN THE DOCUMENT IN CONFIDENCE II NOT TO REPRODUCE OR COPY IT III NOT TO REVEAL OR PUBLISH IN WHOLE OR PART	
X.XX : _____		ENG APPD	MFG APPD		
X.XXX : _____		QA APPD	DESIGNER		
ANGLES : _____		RELEASE	SCALE		
DO NOT SCALE DRAWING		SCALE NONE		SCHEM, LIMA, M76 DRAWING NUMBER 051-7268 REV. 02	
 THIRD ANGLE PROJECTION		MATERIAL/FINISH NOTED AS APPLICABLE			
				SHT 1 OF 24	



Block Diagram

SYNC_MASTER=M76_LIO SYNC_DATE=11/27/2006

NOTICE OF PROPRIETARY PROPERTY

THE INFORMATION CONTAINED HEREIN IS THE PROPRIETARY PROPERTY OF APPLE COMPUTER, INC. THE POSSESSOR AGREES TO THE FOLLOWING

I TO MAINTAIN THE DOCUMENT IN CONFIDENCE
 II NOT TO REPRODUCE OR COPY IT
 III NOT TO REVEAL OR PUBLISH IN WHOLE OR PART

APPLE COMPUTER INC.	SIZE D	DRAWING NUMBER 051-7268	REV. 02
	SCALE NONE	SH1 2	OF 24

8

7

6

5

4

3

2

1

BOM NUMBER	BOM NAME	BOM OPTIONS
630-7980	PCBA, LIMA, M76	COMMON

BAR CODE LABEL / EEE#'S

PART NUMBER	QTY	DESCRIPTION	REFERENCE DES	CRITICAL	BOM OPTION
000-0041	1	LBL, P/N LABEL, PCB	[EEE:XBD]	CRITICAL	

PART#	QTY	DESCRIPTION	REFERENCE DESIGNATOR(S)	CRITICAL	BOM OPTION
815-8851	1	ALS SPACER, M9	SP6401	CRITICAL	

D

D

C

C


B

B

A

A

BOM CONFIGURATION	
SYNC_MASTER=M76_LIO	SYNC_DATE=11/27/2006
NOTICE OF PROPRIETARY PROPERTY	
THE INFORMATION CONTAINED HEREIN IS THE PROPRIETARY PROPERTY OF APPLE COMPUTER, INC. THE POSSESSOR AGREES TO THE FOLLOWING	
I TO MAINTAIN THE DOCUMENT IN CONFIDENCE	
II NOT TO REPRODUCE OR COPY IT	
III NOT TO REVEAL OR PUBLISH IN WHOLE OR PART	

 APPLE COMPUTER INC.	SIZE	DRAWING NUMBER	REV.
	D	051-7268	02
SCALE	SHT	OF	
NONE	3	24	

8

7

6

5

4

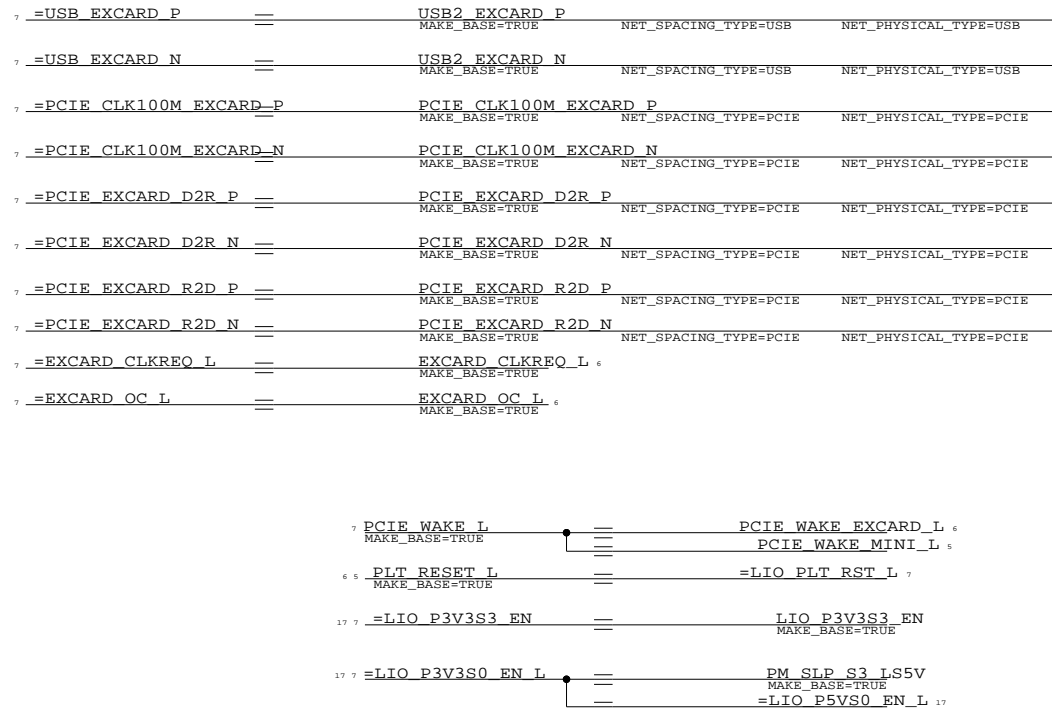
3

2

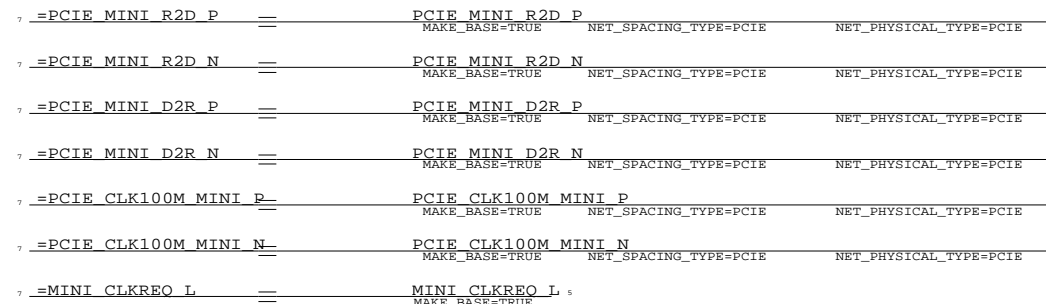
1

POWER & GROUNDS

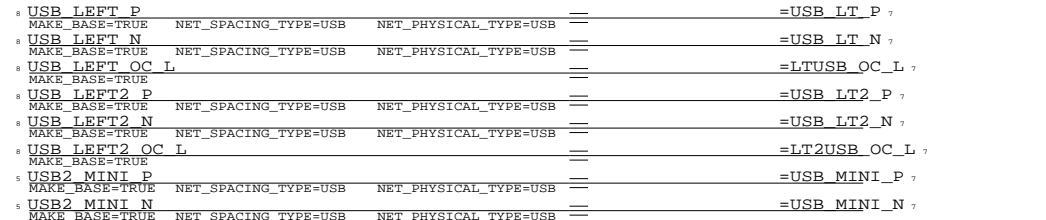
PCI-E EXPRESS CARD 34



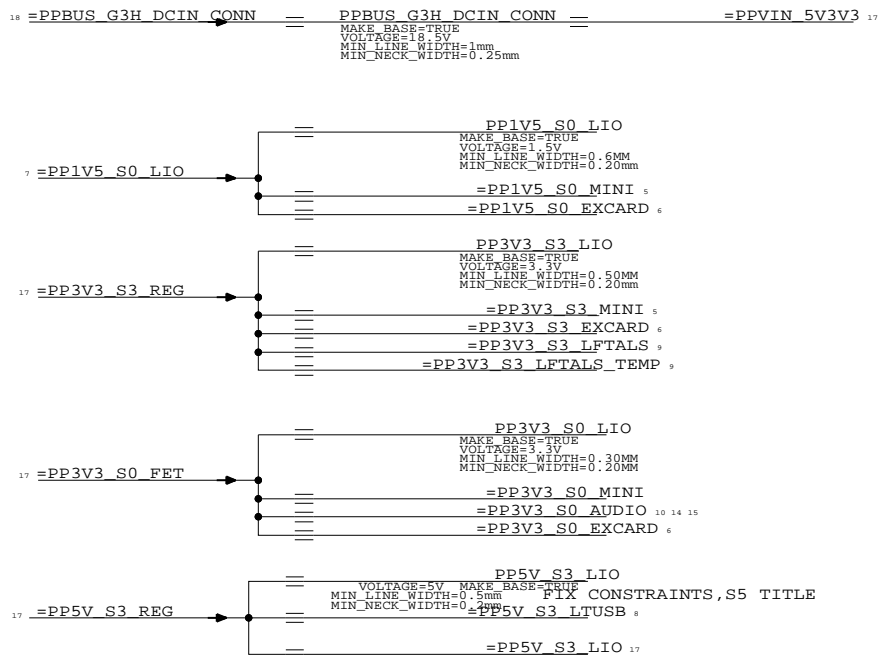
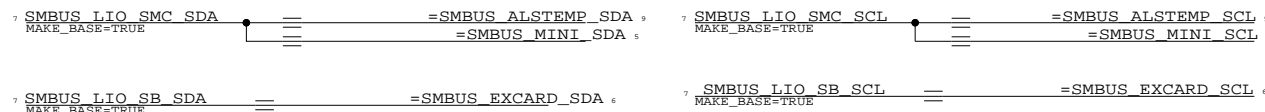
PCI-E MINICARD



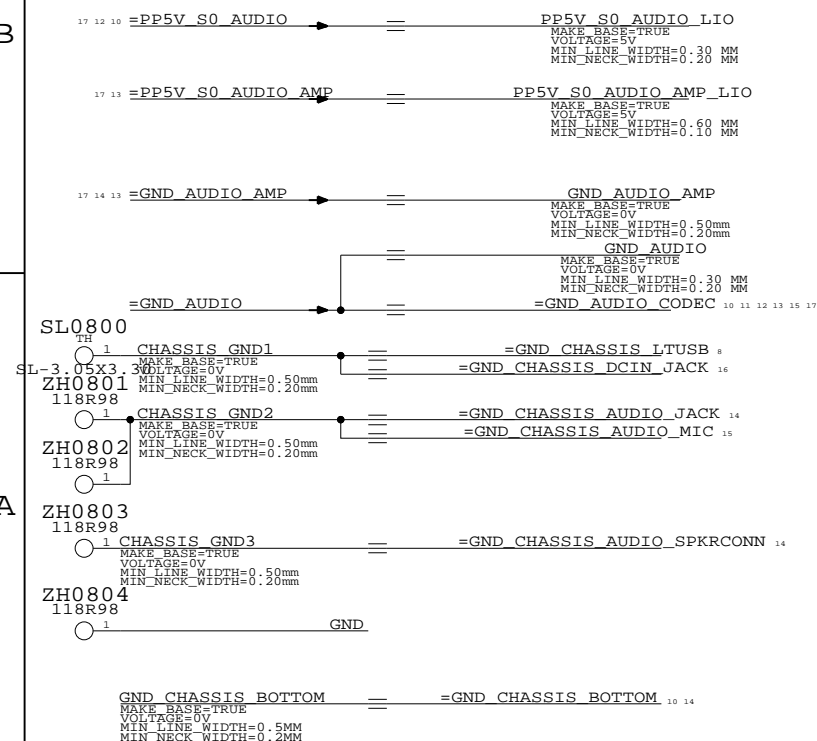
USB



SMBUS



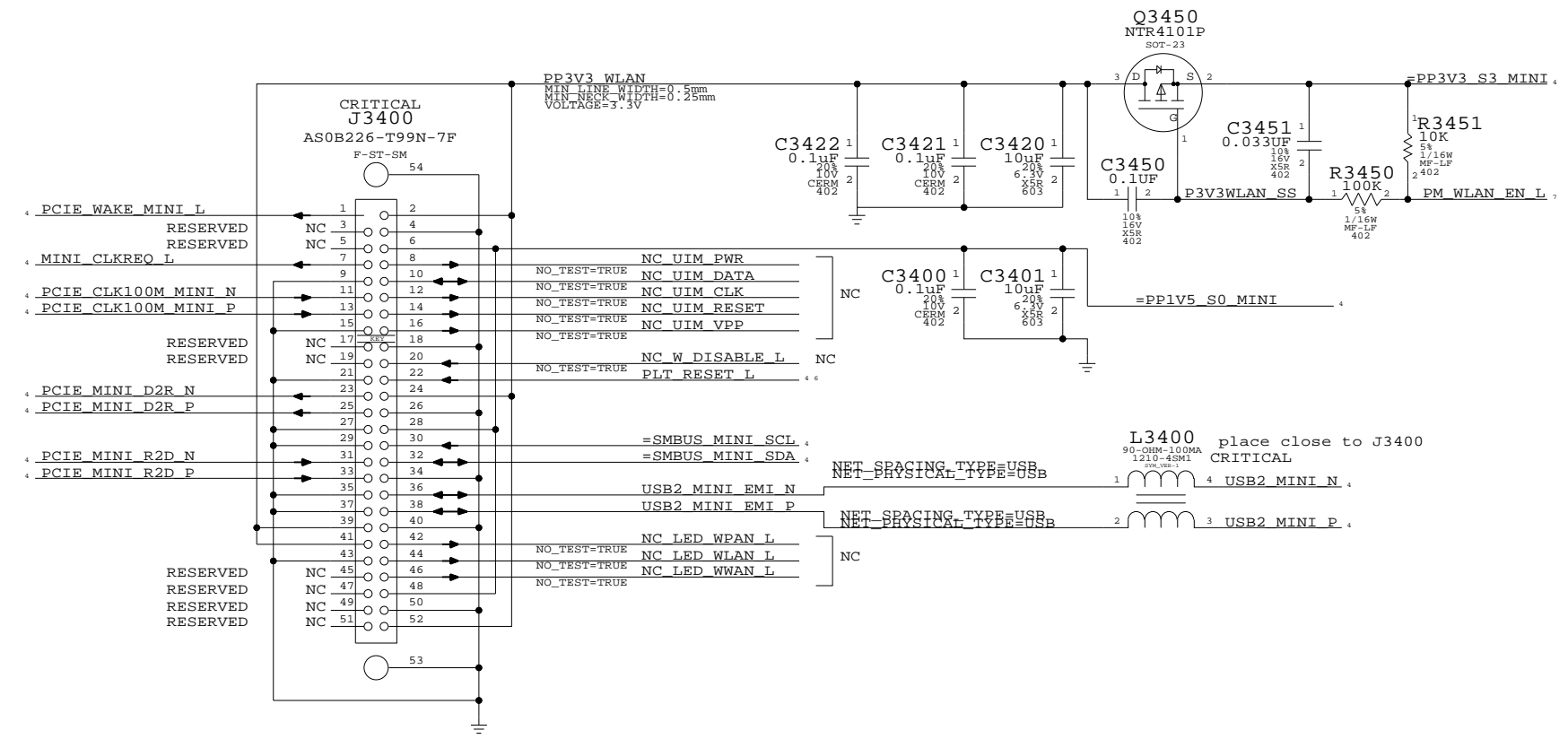
AUDIO



Aliases			
SYNC_MASTER=M76_LIO	SYNC_DATE=11/27/2006		
NOTICE OF PROPRIETARY PROPERTY			
THE INFORMATION CONTAINED HEREIN IS THE PROPRIETARY PROPERTY OF APPLE COMPUTER, INC. THE POSSESSOR AGREES TO THE FOLLOWING			
I TO MAINTAIN THE DOCUMENT IN CONFIDENCE			
II NOT TO REPRODUCE OR COPY IT			
III NOT TO REVEAL OR PUBLISH IN WHOLE OR PART			

APPLE COMPUTER INC.	SIZE	DRAWING NUMBER	REV.
	D	051-7268	02
SCALE	SHEET	OF	
NONE	4	24	

PCI-EXPRESS MINI CARD CONNECTOR

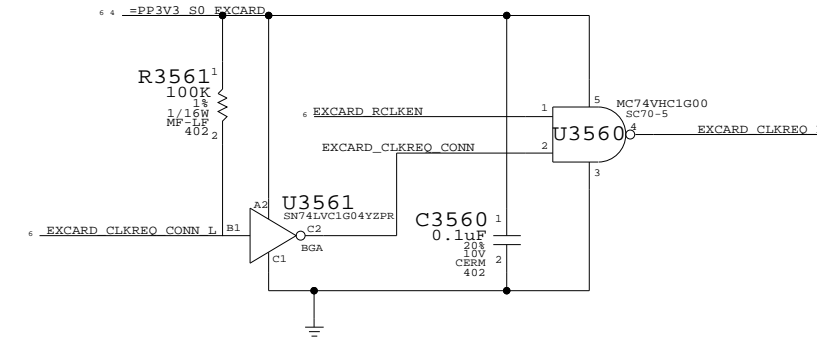
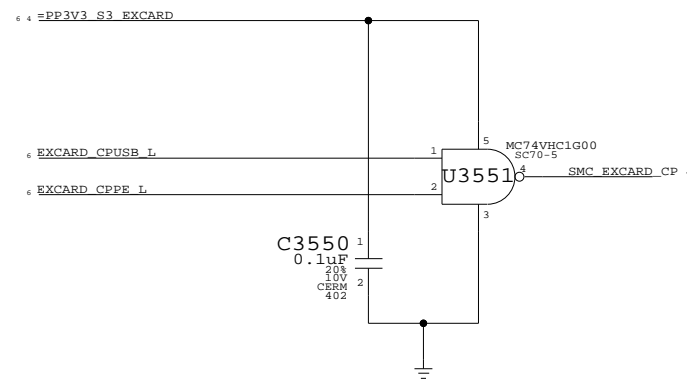
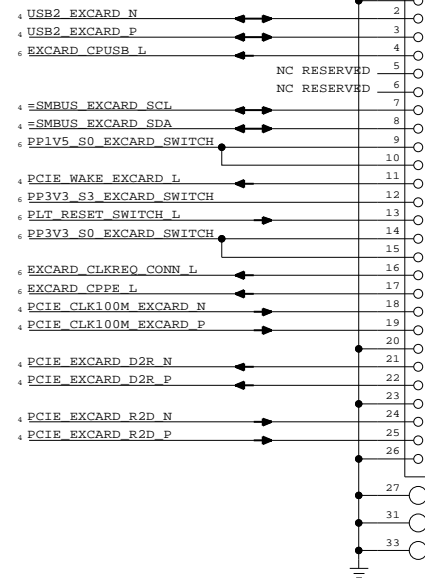
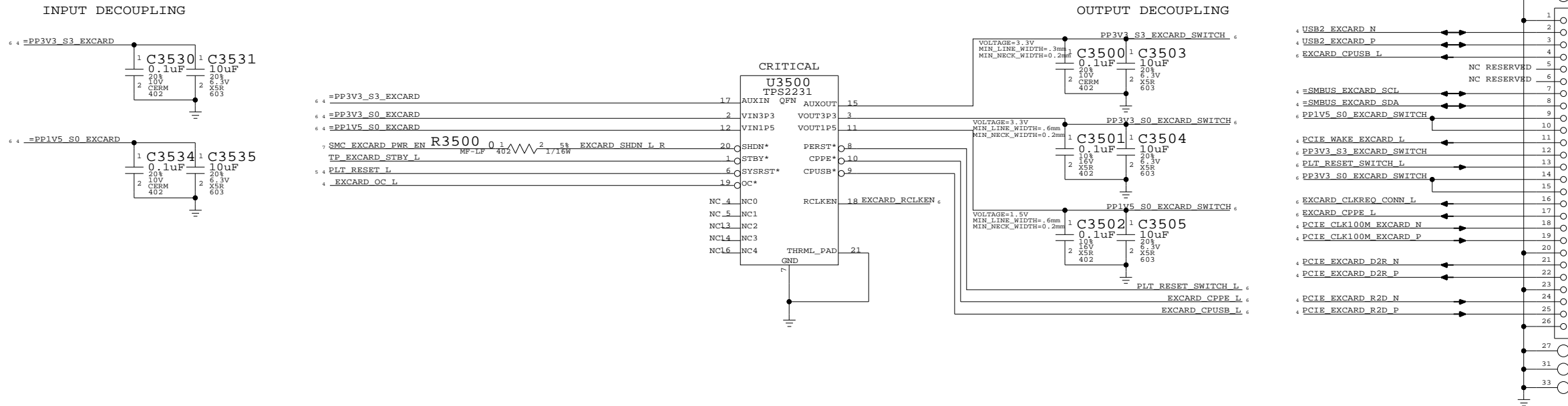


PCI-E MiniCard Connector
 SYNC_MASTER=M75_L1O SYNC_DATE=02/05/2007
NOTICE OF PROPRIETARY PROPERTY
 THE INFORMATION CONTAINED HEREIN IS THE PROPRIETARY PROPERTY OF APPLE COMPUTER, INC. THE POSSESSOR AGREES TO THE FOLLOWING
 I TO MAINTAIN THE DOCUMENT IN CONFIDENCE
 II NOT TO REPRODUCE OR COPY IT
 III NOT TO REVEAL OR PUBLISH IN WHOLE OR PART

APPLE COMPUTER INC.	SIZE	DRAWING NUMBER	REV.
	D	051-7268	02
SCALE	SHT OF		
NONE	5 OF		24

EXPRESSCARD/34 TOP MOUNT CONNECTOR

CARD CAGE CONNECTOR
CRITICAL
J3500
237-5300703903-2
P-RF-SM



ExpressCard Connector

SYNC_MASTER=M75_L10 SYNC_DATE=02/05/2007

NOTICE OF PROPRIETARY PROPERTY

THE INFORMATION CONTAINED HEREIN IS THE PROPRIETARY PROPERTY OF APPLE COMPUTER, INC. THE POSSESSOR AGREES TO THE FOLLOWING

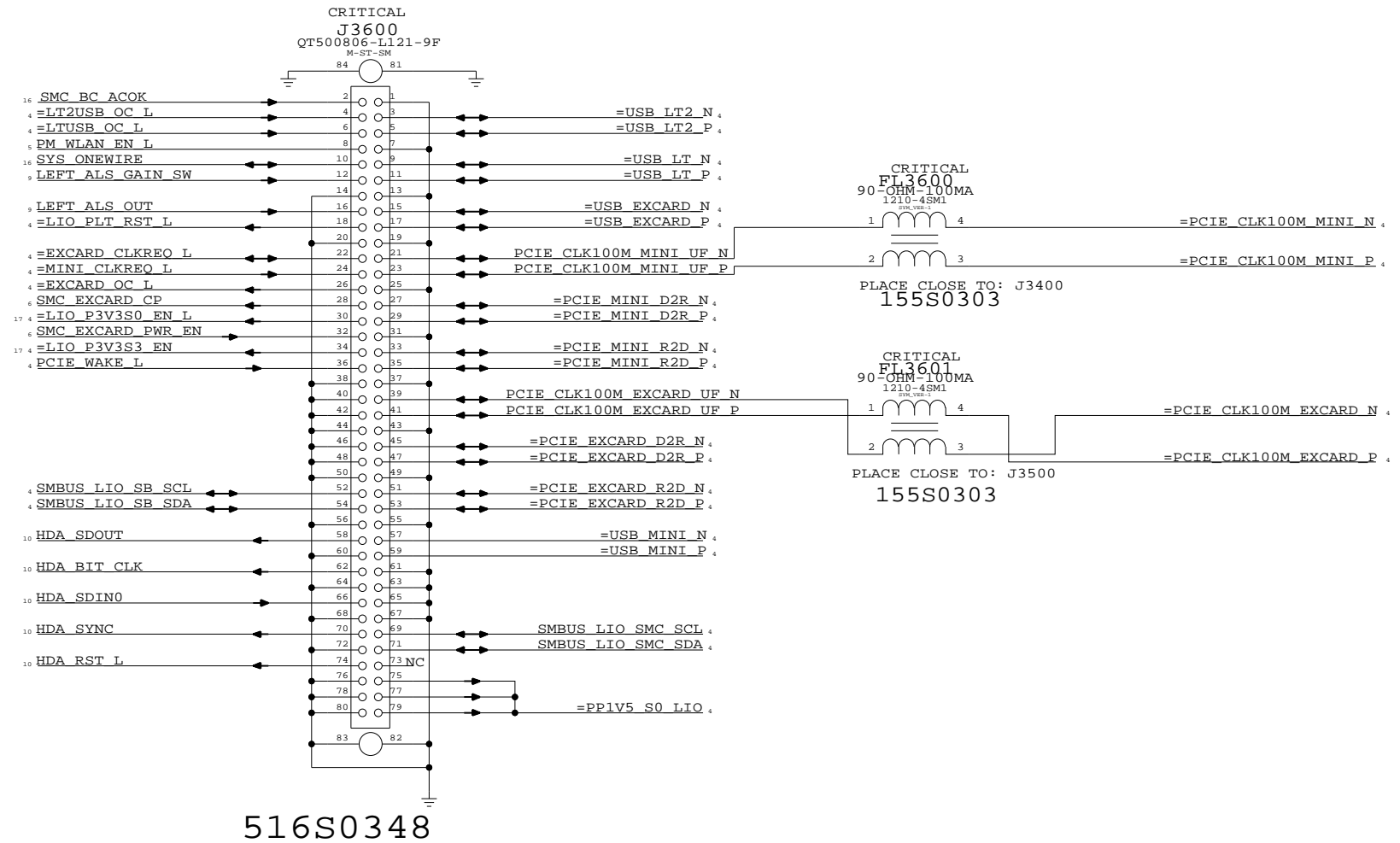
I TO MAINTAIN THE DOCUMENT IN CONFIDENCE

II NOT TO REPRODUCE OR COPY IT

III NOT TO REVEAL OR PUBLISH IN WHOLE OR PART

APPLE COMPUTER INC.	SIZE	DRAWING NUMBER	REV.
	D	051-7268	02
SCALE	SHT		OF
NONE	6		24

Left I/O Board Connector



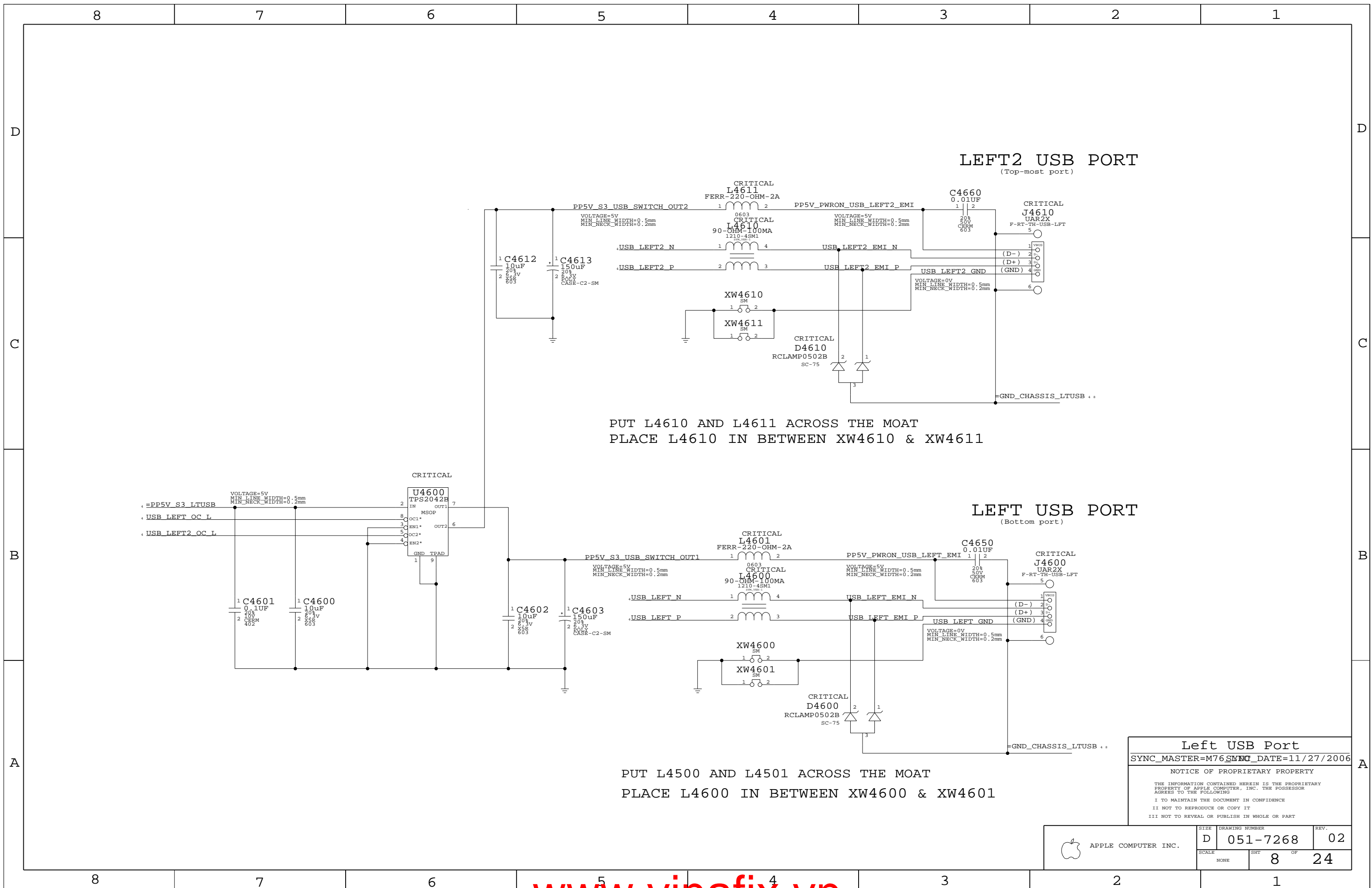
MLB I/O Board Connector

SYNC_MASTER=M76_LIO SYNC_DATE=11/27/2006

NOTICE OF PROPRIETARY PROPERTY

THE INFORMATION CONTAINED HEREIN IS THE PROPRIETARY PROPERTY OF APPLE COMPUTER, INC. THE POSSESSOR AGREES TO THE FOLLOWING
I TO MAINTAIN THE DOCUMENT IN CONFIDENCE
II NOT TO REPRODUCE OR COPY IT
III NOT TO REVEAL OR PUBLISH IN WHOLE OR PART

APPLE COMPUTER INC.	SIZE	DRAWING NUMBER	REV.
	D	051-7268	02
SCALE	NONE	SHT	7 OF 24



LEFT2 USB PORT
(Top-most port)

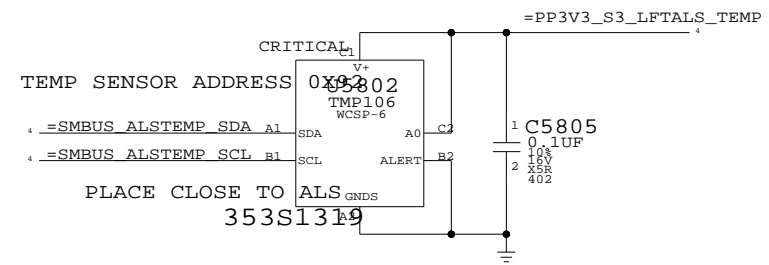
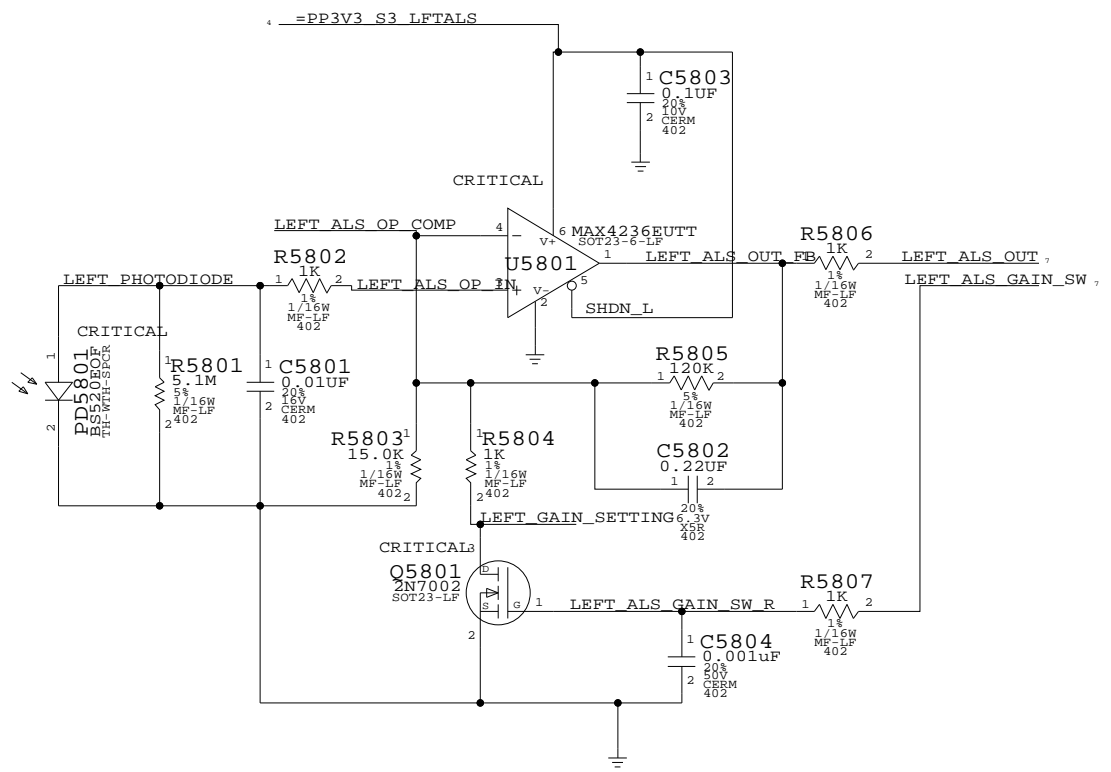
PUT L4610 AND L4611 ACROSS THE MOAT
PLACE L4610 IN BETWEEN XW4610 & XW4611

LEFT USB PORT
(Bottom port)

PUT L4500 AND L4501 ACROSS THE MOAT
PLACE L4600 IN BETWEEN XW4600 & XW4601

Left USB Port
 SYNC_MASTER=M76 SMC_DATE=11/27/2006
 NOTICE OF PROPRIETARY PROPERTY
 THE INFORMATION CONTAINED HEREIN IS THE PROPRIETARY PROPERTY OF APPLE COMPUTER, INC. THE POSSESSOR AGREES TO THE FOLLOWING
 I TO MAINTAIN THE DOCUMENT IN CONFIDENCE
 II NOT TO REPRODUCE OR COPY IT
 III NOT TO REVEAL OR PUBLISH IN WHOLE OR PART

APPLE COMPUTER INC.	SIZE	DRAWING NUMBER	REV.
	D	051-7268	02
SCALE		SHT	OF
NONE		8	24



Left ALS

SYNC_MASTER=M76_LIO SYNC_DATE=11/27/2006

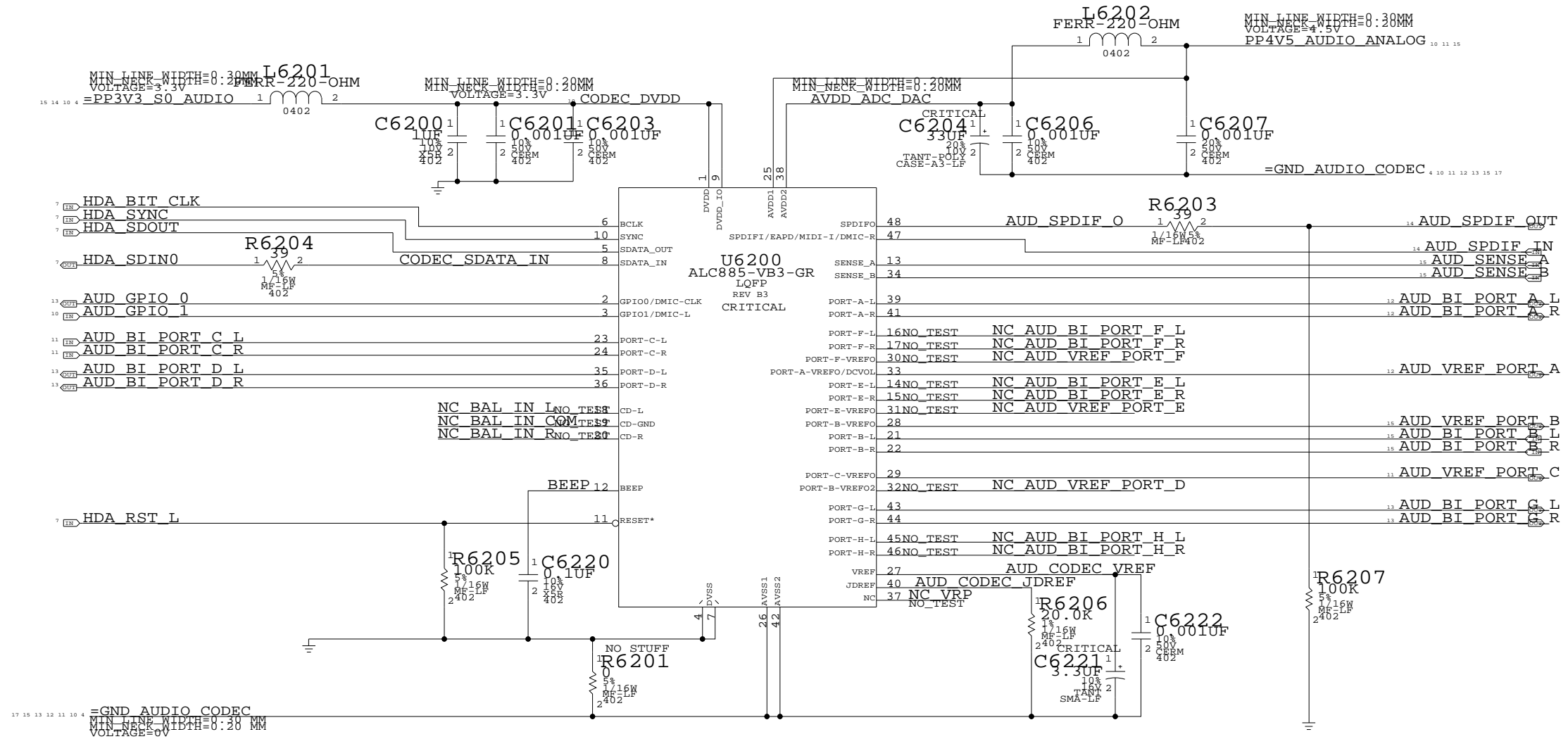
NOTICE OF PROPRIETARY PROPERTY

THE INFORMATION CONTAINED HEREIN IS THE PROPRIETARY PROPERTY OF APPLE COMPUTER, INC. THE POSSESSOR AGREES TO THE FOLLOWING

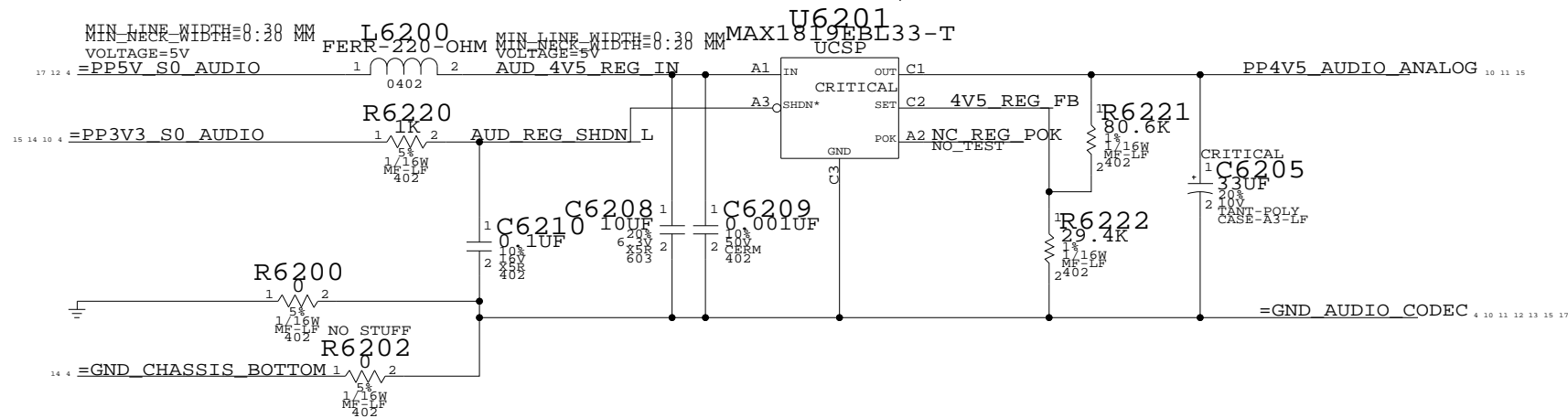
I TO MAINTAIN THE DOCUMENT IN CONFIDENCE
 II NOT TO REPRODUCE OR COPY IT
 III NOT TO REVEAL OR PUBLISH IN WHOLE OR PART

APPLE COMPUTER INC.	SIZE	DRAWING NUMBER	REV.
	D	051-7268	02
SCALE	SHT	OF	REV.
NONE	9	24	

AUDIO CODEC
APPLE P/N 353S1527



AUDIO 4.5V REGULATOR
APPLE P/N 353S1455



AUDIO:CODEC
 SYNC_MASTER=SYNCAUDIO=02/05/2007
 NOTICE OF PROPRIETARY PROPERTY
 THE INFORMATION CONTAINED HEREIN IS THE PROPRIETARY PROPERTY OF APPLE COMPUTER, INC. THE POSSESSOR AGREES TO THE FOLLOWING
 I TO MAINTAIN THE DOCUMENT IN CONFIDENCE
 II NOT TO REPRODUCE OR COPY IT
 III NOT TO REVEAL OR PUBLISH IN WHOLE OR PART

APPLE COMPUTER INC.	SIZE	DRAWING NUMBER	REV.
	D	051-7268	02
SCALE	SHT OF		
NONE	10 OF		24

8

7

6

5

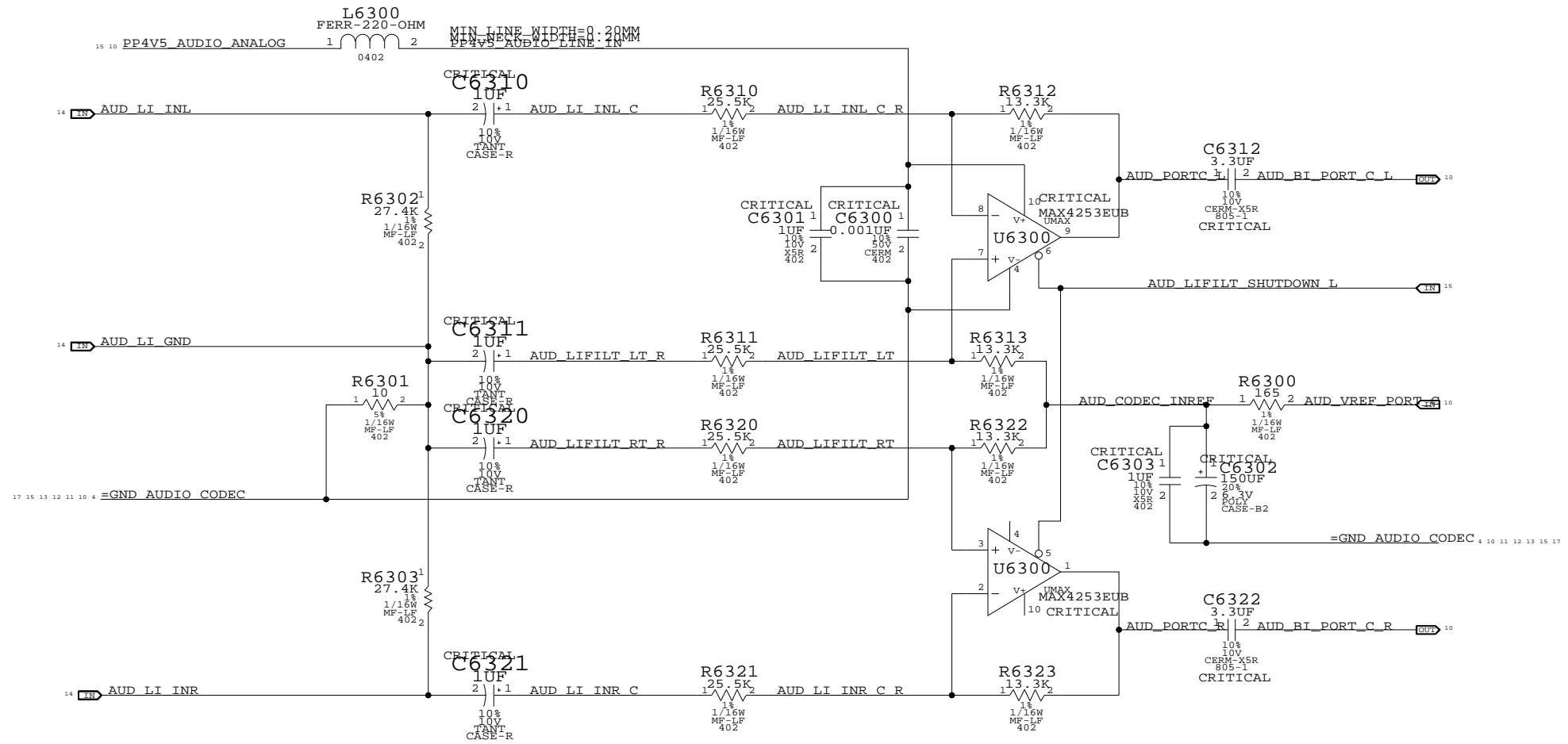
4

3

2

1

Pseudo-Diff Line-In Filter
 GAIN = -5.4DB AV = 0.52
 FC = 6.24 HZ



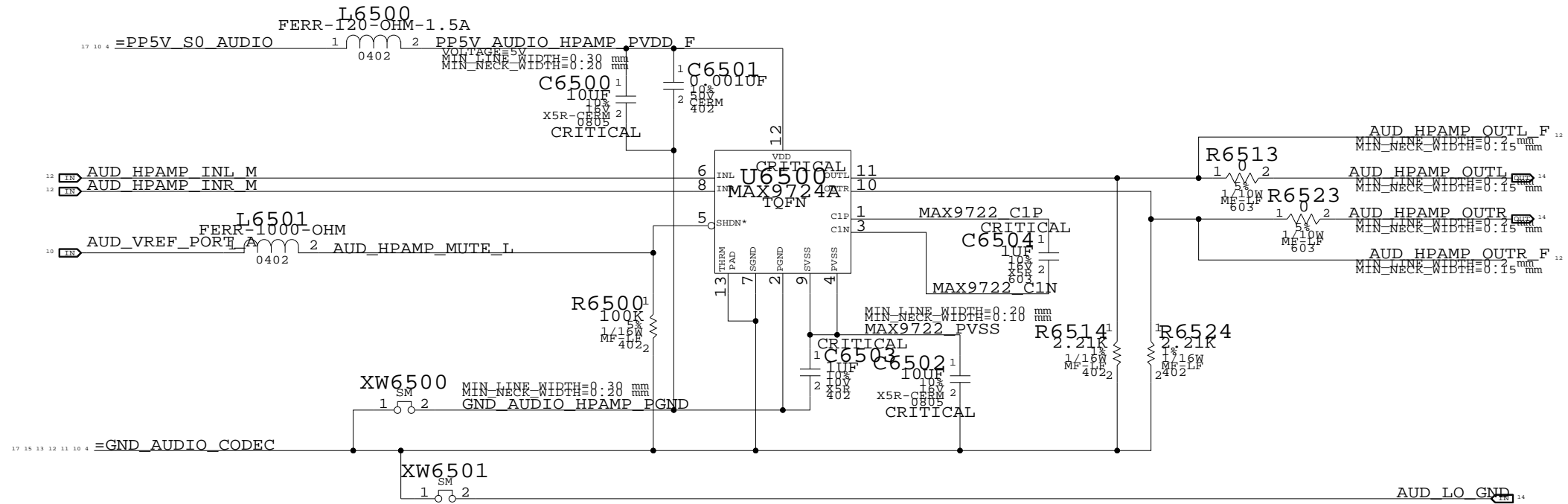
AUDIO: LINE IN
 SYNC_MASTER=M76_AUDIO SYNC_DATE=02/05/2007

NOTICE OF PROPRIETARY PROPERTY
 THE INFORMATION CONTAINED HEREIN IS THE PROPRIETARY PROPERTY OF APPLE COMPUTER, INC. THE POSSESSOR AGREES TO THE FOLLOWING
 I TO MAINTAIN THE DOCUMENT IN CONFIDENCE
 II NOT TO REPRODUCE OR COPY IT
 III NOT TO REVEAL OR PUBLISH IN WHOLE OR PART

APPLE COMPUTER INC.	SIZE	DRAWING NUMBER	REV.
	NONE	11 OF 24	02

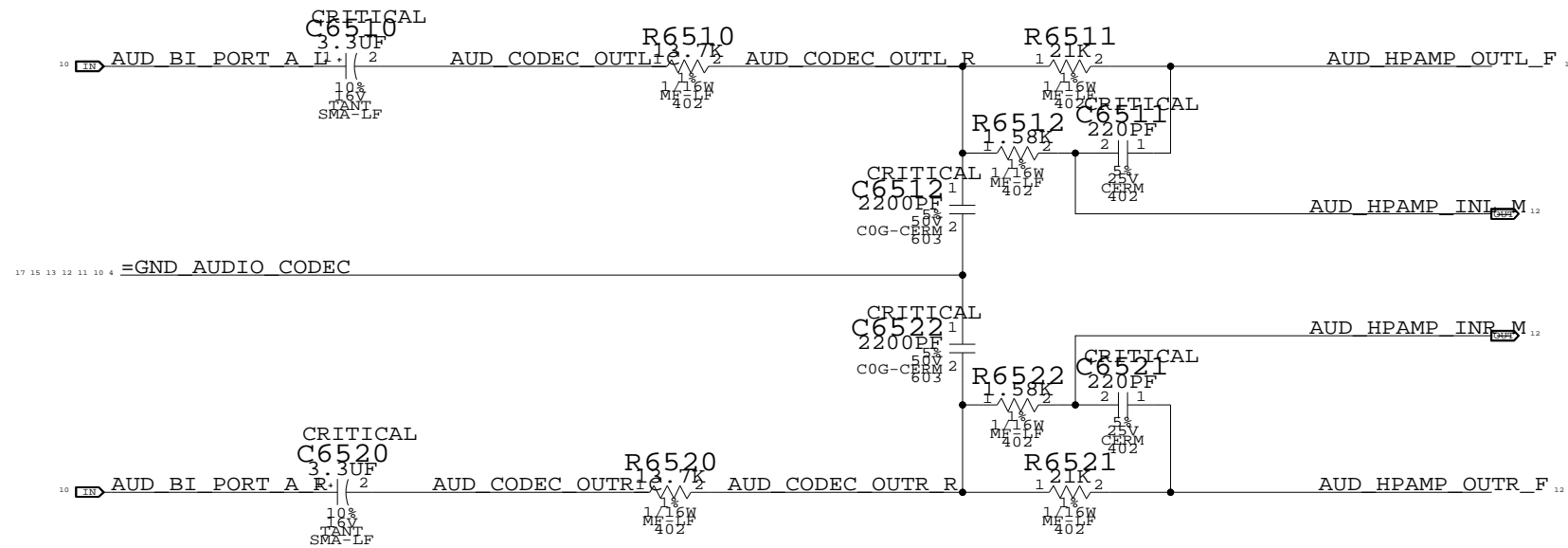
Headphone Amplifier (MAX9724A)

APN: 353S1637
VOLTAGE GAIN: 1.53



2nd Order DAC Filter

HP: 3.52 HZP: 39 KHZ



AUDIO: HEADPHONE AMP

SYNC_MASTER=MSNAUDIO=02/05/2007

NOTICE OF PROPRIETARY PROPERTY

THE INFORMATION CONTAINED HEREIN IS THE PROPRIETARY PROPERTY OF APPLE COMPUTER, INC. THE POSSESSOR AGREES TO THE FOLLOWING

I TO MAINTAIN THE DOCUMENT IN CONFIDENCE

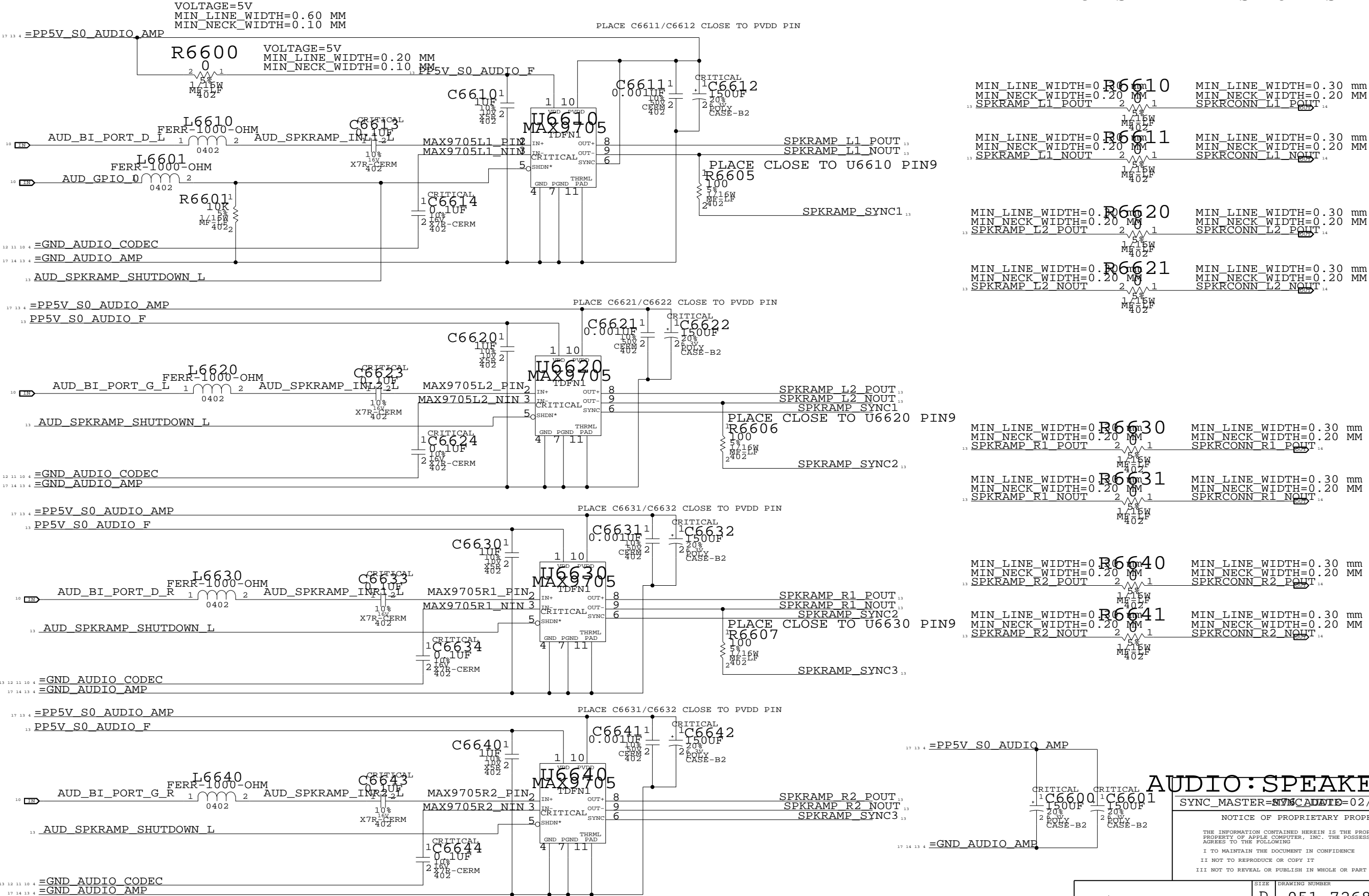
II NOT TO REPRODUCE OR COPY IT

III NOT TO REVEAL OR PUBLISH IN WHOLE OR PART

APPLE COMPUTER INC.	SIZE	DRAWING NUMBER	REV.
	D	051-7268	02
SCALE	NONE	SHT	12 OF 24

2X MONO SPEAKER AMPLIFIERS (MAX9705) 12DB/9HZ < FC < 132HZ
 APN: 353S1595 TURN ON TIME: 30MS, TURN ON DELAY: 60MS

FANCY SPEAKER TESTPOINTS



- MIN LINE WIDTH=0.30 mm
MIN NECK WIDTH=0.20 mm
SPKRAMP L1 POUT
- MIN LINE WIDTH=0.30 mm
MIN NECK WIDTH=0.20 mm
SPKRAMP L1 NOUT
- MIN LINE WIDTH=0.30 mm
MIN NECK WIDTH=0.20 mm
SPKRAMP L2 POUT
- MIN LINE WIDTH=0.30 mm
MIN NECK WIDTH=0.20 mm
SPKRAMP L2 NOUT
- MIN LINE WIDTH=0.30 mm
MIN NECK WIDTH=0.20 mm
SPKRAMP R1 POUT
- MIN LINE WIDTH=0.30 mm
MIN NECK WIDTH=0.20 mm
SPKRAMP R1 NOUT
- MIN LINE WIDTH=0.30 mm
MIN NECK WIDTH=0.20 mm
SPKRAMP R2 POUT
- MIN LINE WIDTH=0.30 mm
MIN NECK WIDTH=0.20 mm
SPKRAMP R2 NOUT

AUDIO: SPEAKER AMP

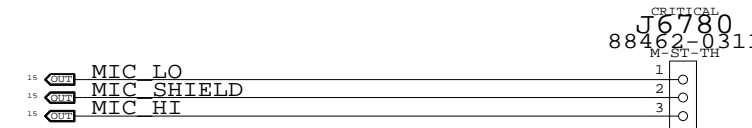
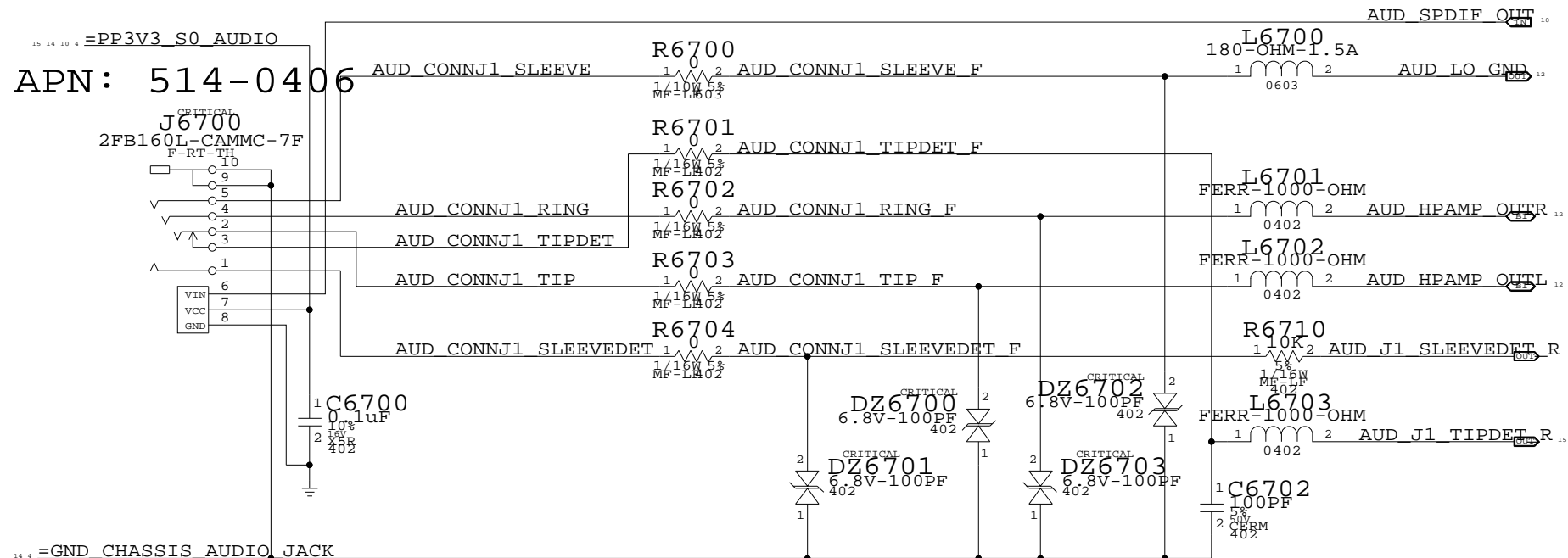
SYNC_MASTER=SYNCA DATE=02/05/2007
 NOTICE OF PROPRIETARY PROPERTY
 THE INFORMATION CONTAINED HEREIN IS THE PROPRIETARY PROPERTY OF APPLE COMPUTER, INC. THE POSSESSOR AGREES TO THE FOLLOWING
 I TO MAINTAIN THE DOCUMENT IN CONFIDENCE
 II NOT TO REPRODUCE OR COPY IT
 III NOT TO REVEAL OR PUBLISH IN WHOLE OR PART

APPLE COMPUTER INC.	SIZE	D	DRAWING NUMBER	051-7268	REV.	02
	SCALE	NONE	SHT	13	OF	24

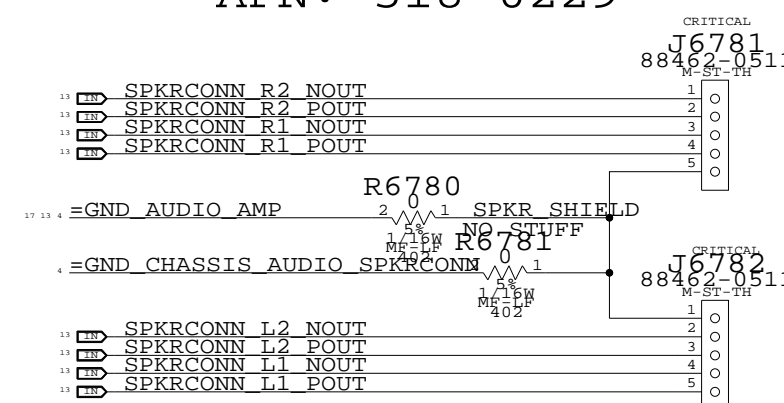
AUDIO JACK 1 LO/HP CONNECTOR, SPDIF TX

MIC CONNECTOR
APN: 518-0230

APN: 514-0406



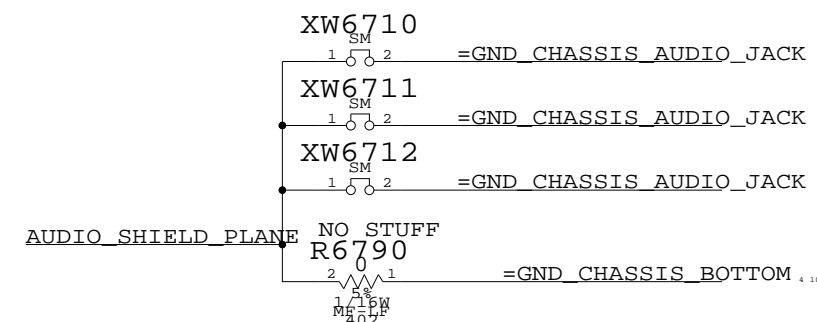
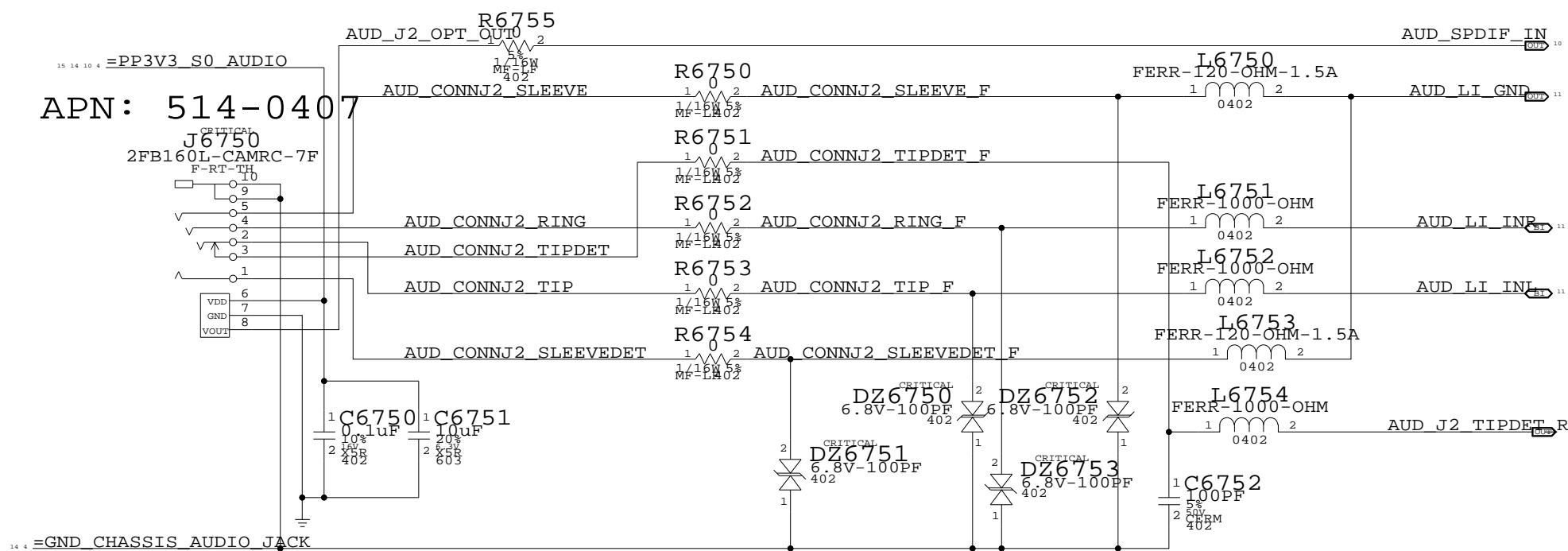
SPEAKER CONNECTORS
APN: 518-0229



AUDIO JACK 2 LINE IN CONNECTOR, SPDIF RX

AUDIO SHIELD
(FILLED SHAPE)

APN: 514-0407



AUDIO: JACKS
 SYNC_MASTER=M76_AUDIO SYNC_DATE=02/05/2007
 NOTICE OF PROPRIETARY PROPERTY
 THE INFORMATION CONTAINED HEREIN IS THE PROPRIETARY PROPERTY OF APPLE COMPUTER, INC. THE POSSESSOR AGREES TO THE FOLLOWING
 I TO MAINTAIN THE DOCUMENT IN CONFIDENCE
 II NOT TO REPRODUCE OR COPY IT
 III NOT TO REVEAL OR PUBLISH IN WHOLE OR PART

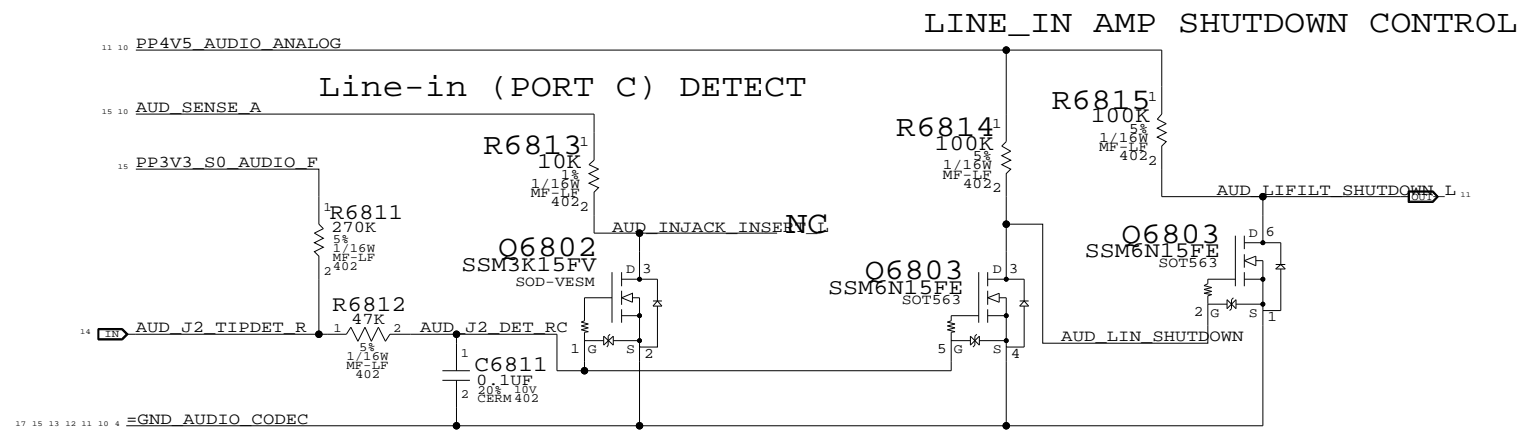
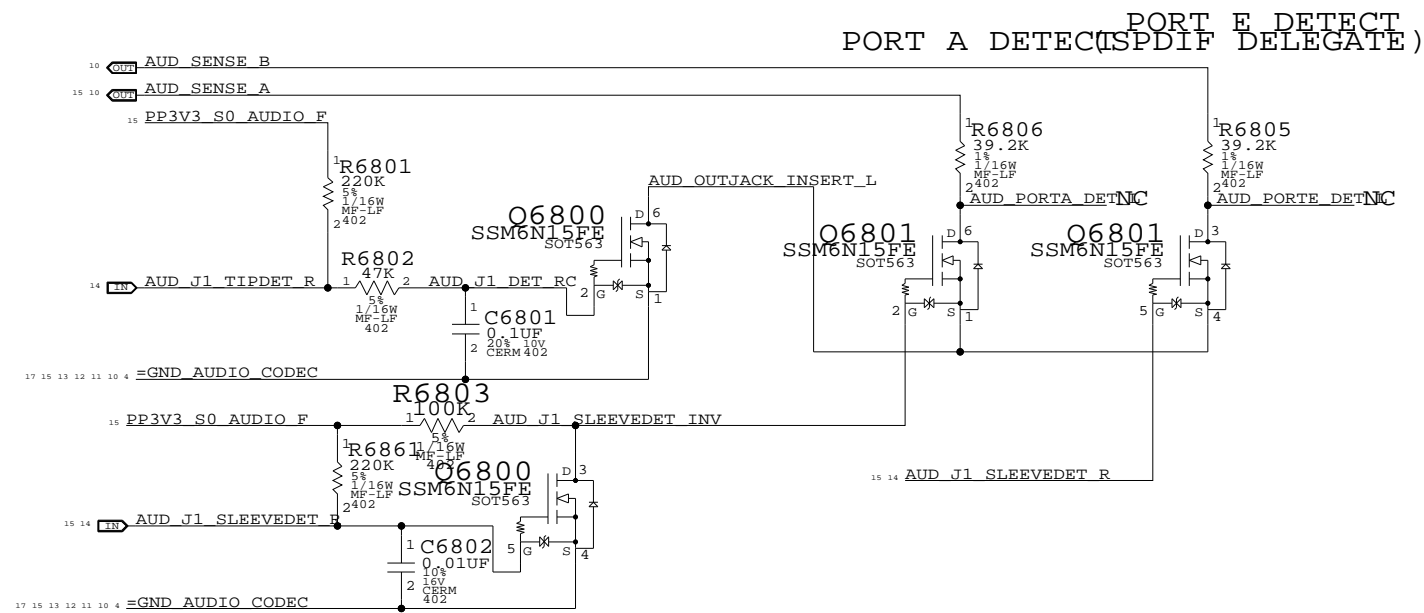
APPLE COMPUTER INC.	SIZE	DRAWING NUMBER	REV.
	D	051-7268	02
SCALE	NONE	SHT	14 OF 24

CODEC OUTPUT SIGNAL PATHS

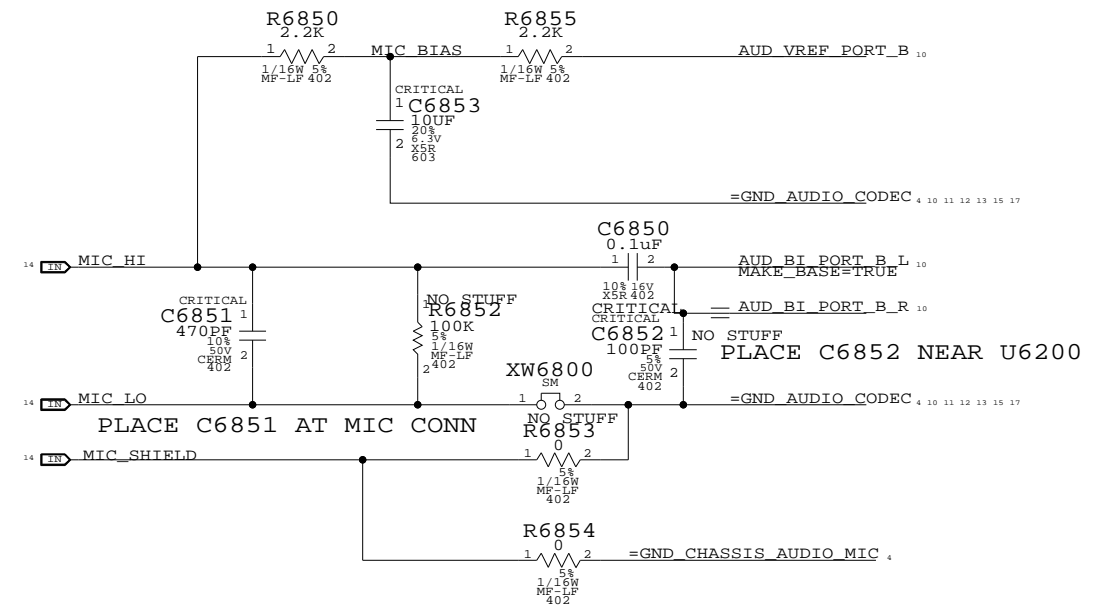
FUNCTION	VOLUME	CONVERTER	PIN	COMPLEX	MUTE	CONTROL	DET ASSIGNMENT
HP/LINE OUT	0X0D (13)	0X03 (03)	0X15 (21,A)			VREF A (21)	0X15 (21,A)
SPEAKER 1	0X0C (12)	0X02 (02)	0X14 (20,D)			GPIO 0	N/A
SPEAKER 2	0X0E (14)	0X04 (04)	0X16 (22,G)			GPIO 0	N/A
SPDIF OUT	N/A	0X06 (06)	0X1E (30,SPDIF)			N/A	0X1B (27,E)

CODEC INPUT SIGNAL PATHS

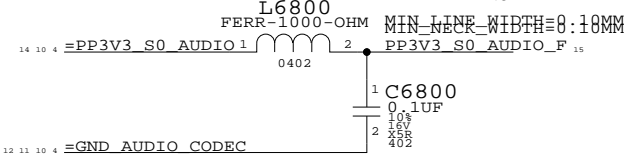
FUNCTION	MIXER	CONVERTER	PIN	COMPLEX	VREF	DET ASSIGNMENT
LINE IN	0X23 (35)	0X08 (08)	0X1A (26,C)		N/A	0X1A (26,C)
MIC IN	0X24 (36)	0X07 (08)	0X18 (24,B)		VREF B (24,80K)	N/A
SPDIF IN	N/A	0X0A (10)	0X1F (31,SPDIF)		N/A	N/A



MIC INPUT CIRCUITRY



PLACE L6800/C6800 CLOSE TO Q6800/01/02/03



AUDIO: JACK TRANSLATORS

SYNC_MASTER=M76_AUDIO SYNC_DATE=02/05/2007

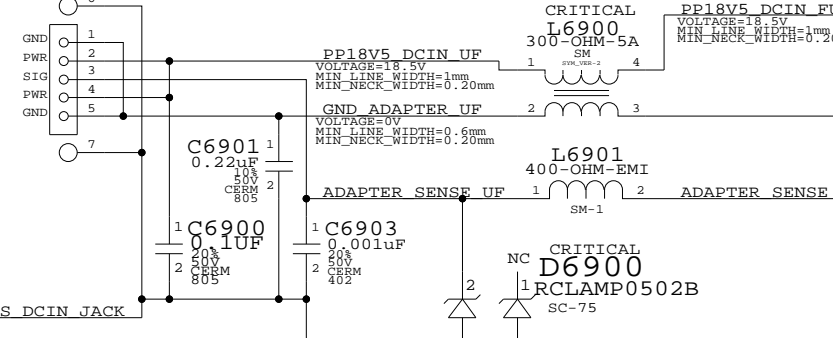
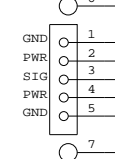
NOTICE OF PROPRIETARY PROPERTY

THE INFORMATION CONTAINED HEREIN IS THE PROPRIETARY PROPERTY OF APPLE COMPUTER, INC. THE POSSESSOR AGREES TO THE FOLLOWING
 I TO MAINTAIN THE DOCUMENT IN CONFIDENCE
 II NOT TO REPRODUCE OR COPY IT
 III NOT TO REVEAL OR PUBLISH IN WHOLE OR PART

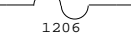
APPLE COMPUTER INC.	SIZE	DRAWING NUMBER	REV.
	D	051-7268	02
SCALE	SHT		OF
NONE	15		24

DC Power Jack

CRITICAL
J6900
MEM
F-RT-TH-MG3

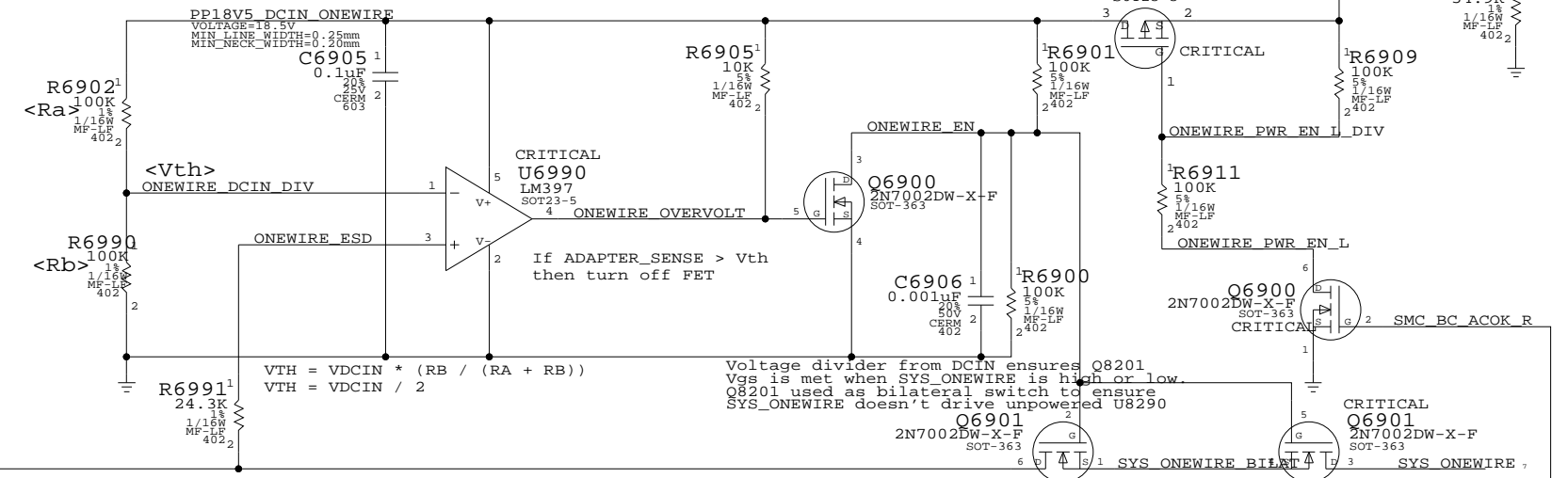


CRITICAL
F6900
6AMP-24V



Q8209 restricts system load to 10K-70K window until adapter detects system and enables 16.5V output.

1-Wire OverVoltage Protection



R8204 should be stuffed if GND_CHASSIS_DCIN_JACK does not have another connection to digital GND in the system, such as in an acrylic. The chassis ground will otherwise float and can send transients onto ADAPTER_SENSE when AC is connected.

$$V_{TH} = V_{DCIN} * (R_B / (R_A + R_B))$$

$$V_{TH} = V_{DCIN} / 2$$

Voltage divider from DCIN ensures Q8201 Vgs is met when SYS_ONEWIRE is high or low. Q8201 used as Bilateral switch to ensure SYS_ONEWIRE doesn't drive unpowered U8290

DC-In & Battery Connectors

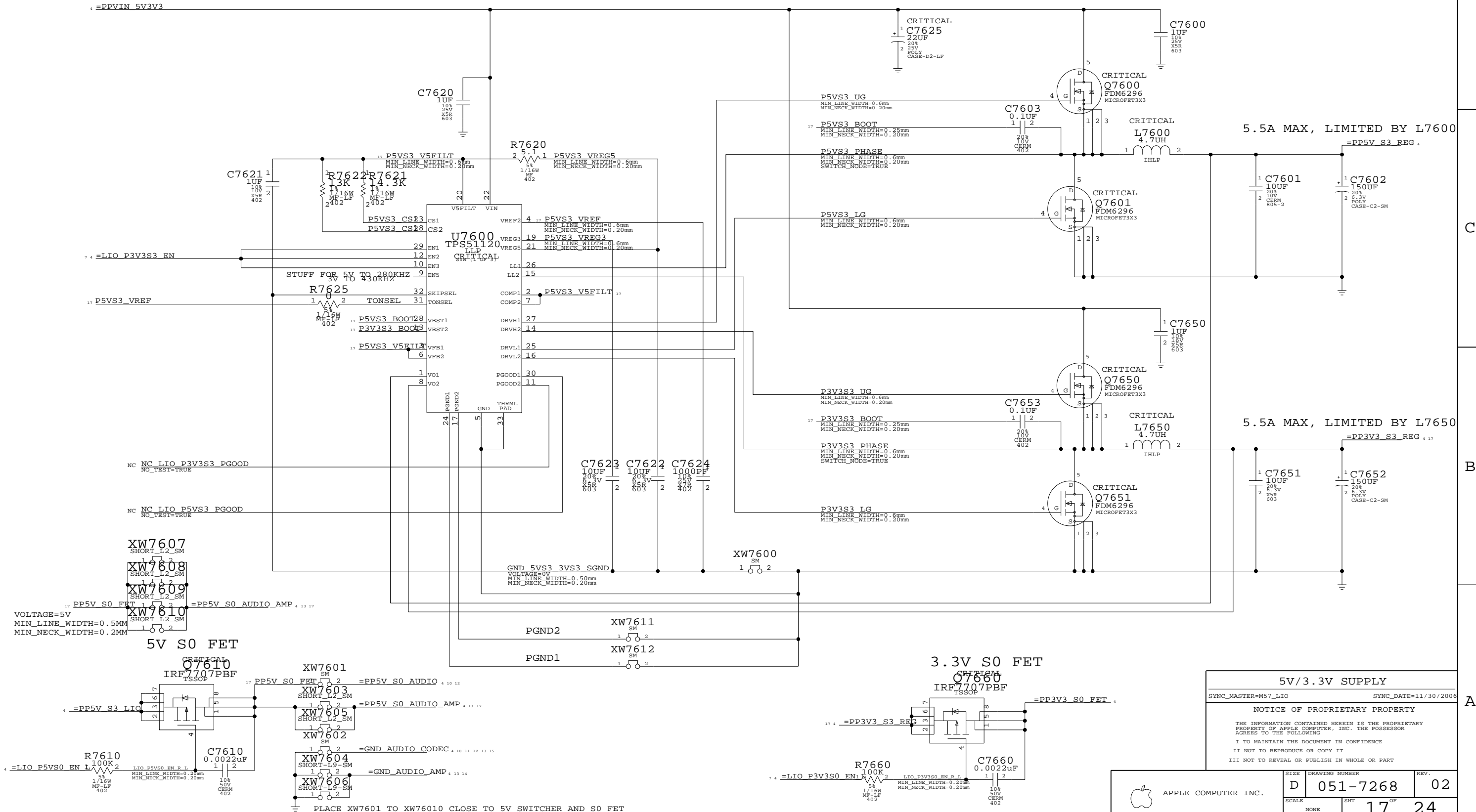
SYNC_MASTER=M76_LIO SYNC_DATE=11/27/2006

NOTICE OF PROPRIETARY PROPERTY

THE INFORMATION CONTAINED HEREIN IS THE PROPRIETARY PROPERTY OF APPLE COMPUTER, INC. THE POSSESSOR AGREES TO THE FOLLOWING
 I TO MAINTAIN THE DOCUMENT IN CONFIDENCE
 II NOT TO REPRODUCE OR COPY IT
 III NOT TO REVEAL OR PUBLISH IN WHOLE OR PART

APPLE COMPUTER INC.	SIZE	DRAWING NUMBER	REV.
	D	051-7268	02
SCALE	SHT		OF
NONE	16		24

5V/3.3V POWER SUPPLY



5V/3.3V SUPPLY
 SYNC_MASTER=M57_LIO SYNC_DATE=11/30/2006
 NOTICE OF PROPRIETARY PROPERTY
 THE INFORMATION CONTAINED HEREIN IS THE PROPRIETARY PROPERTY OF APPLE COMPUTER, INC. THE POSSESSOR AGREES TO THE FOLLOWING
 I TO MAINTAIN THE DOCUMENT IN CONFIDENCE
 II NOT TO REPRODUCE OR COPY IT
 III NOT TO REVEAL OR PUBLISH IN WHOLE OR PART

APPLE COMPUTER INC.	SIZE	DRAWING NUMBER	REV.
	D	051-7268	02
SCALE	SHEET		OF
NONE	17		24

8

7

6

5

4

3

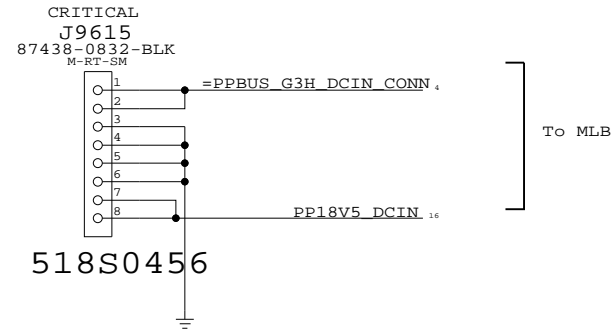
2

1

D

D

Left I/O Power Connector



C

C

B

B

A

A

LEFT I/O POWER CONNECTOR
 SYNC_MASTER=M76_LIO SYNC_DATE=11/27/2006

NOTICE OF PROPRIETARY PROPERTY
 THE INFORMATION CONTAINED HEREIN IS THE PROPRIETARY PROPERTY OF APPLE COMPUTER, INC. THE POSSESSOR AGREES TO THE FOLLOWING
 I TO MAINTAIN THE DOCUMENT IN CONFIDENCE
 II NOT TO REPRODUCE OR COPY IT
 III NOT TO REVEAL OR PUBLISH IN WHOLE OR PART

APPLE COMPUTER INC.	SIZE	DRAWING NUMBER	REV.
	D	051-7268	02
SCALE	SHT		
NONE	18 OF		24

8

7

6

5

4

3

2

1

	8	7	6	5	4	3	2	1	
D	<p>Title: Basenet Report Design: sync Date: Nov 17 19:00:01 2006</p> <p>Base nets and synonyms for sync_lib.SYNC(@sync_lib.sync(sch_1)) Base Signal Synonyms Location((Zone) dir))</p>				<p>UT1 @sync_lib.SYNC PP5V_S3_USB_SWITCH_O PP5V_S3_USB_SWITCH_OUT2 - 8D5 UT2 @sync_lib.SYNC PP18V5_DCIN PP18V5_DCIN - @sync_lib.SYNC 10D1 12C4 PP18V5_DCIN_FUSE PP18V5_DCIN_FUSE - @sync_lib.SYNC 10D6 PP18V5_DCIN_ONEWIRE PP18V5_DCIN_ONEWIRE - 10D5</p>				D
	<p>=EXCARD_CLKREQ_L =EXCARD_CLKREQ_L - @sync_lib.SYNC 4C5 7C6 EXCARD_CLKREQ_L = @sync_lib.SYNC 4C3 6B2 =EXCARD_OC_L =EXCARD_OC_L - @sync_lib.SYNC 4C5 7C6 EXCARD_OC_L = @sync_lib.SYNC 4C4 6C7 =GND_AUDIO =GND_AUDIO - @sync_lib.SYNC 4A8 =GND_AUDIO_CODEC =GND_AUDIO_CODEC - @sync_lib.SYNC 4A7 11A6 GND_AUDIO = @sync_lib.SYNC 4A7 =GND_AUDIO_CODEC =GND_AUDIO_CODEC - @sync_lib.SYNC 4A7 11A6 4B8 11A6 GND_AUDIO_AMP =GND_AUDIO_AMP - @sync_lib.SYNC 4B7 =GND_CHASSIS_AUDIO_JACK =GND_CHASSIS_AUDIO_JACK - @sync_lib.SYNC 4A7 ACK =GND_CHASSIS_PCIE_EXCARD_LEFT - 4A6 6B1 6D3 @sync_lib.SYNC CHASSIS_GND2 = @sync_lib.SYNC 4A8 =GND_CHASSIS_PCIE_EXCARD_LEFT - 4A6 6B1 6D3 @sync_lib.SYNC =GND_CHASSIS_AUDIO_MIC = @sync_lib.SYNC 4A7 =GND_CHASSIS_AUDIO_SPKRCONN =GND_CHASSIS_AUDIO_SPKRCONN - 4A6 @sync_lib.SYNC CHASSIS_GND3 = @sync_lib.SYNC 4A8 =GND_CHASSIS_DCIN_JACK =GND_CHASSIS_DCIN_JACK - 4A7 10C8 CK =CHASSIS_GND1 = @sync_lib.SYNC 4A8 =GND_CHASSIS_LTUSB = @sync_lib.SYNC 4A7 8A2 8C2 CHASSIS_GND1 = @sync_lib.SYNC 4A8 =GND_CHASSIS_LTUSB = @sync_lib.SYNC 4A7 8A2 8C2 =GND_CHASSIS_LIO_FLEX =GND_CHASSIS_LIO_FLEX - 4A7 7B3 X =@sync_lib.SYNC =GND_CHASSIS_PCIE_EXCARD_RIGHT - 4A6 6B2 @sync_lib.SYNC CHASSIS_GND4 = @sync_lib.SYNC 4A8 =GND_CHASSIS_PCIE_EXCARD_RIGHT - 4A6 6B2 @sync_lib.SYNC =LIO_P3V3S0_EN_L =LIO_P3V3S0_EN_L - @sync_lib.SYNC 4C4 7C6 11A4 =LIO_P5V50_EN_L = @sync_lib.SYNC 4C3 11A8 PM_SLP_S3_LS5V = @sync_lib.SYNC 4C3 =LIO_P5V50_EN_L = @sync_lib.SYNC 4C3 11A8 =LIO_P3V3S3_EN = @sync_lib.SYNC 4C4 7C6 11C8 LIO_P3V3S3_EN = @sync_lib.SYNC 4C3 =LT2USB_OC_L =LT2USB_OC_L - @sync_lib.SYNC 4A3 7C6 USB_LEFT2_OC_L = @sync_lib.SYNC 4A5 8B8 =LTUSB_OC_L =LTUSB_OC_L - @sync_lib.SYNC 4B3 7C6 USB_LEFT2_OC_L = @sync_lib.SYNC 4B5 8B8 =MINI_CLKREQ_L =MINI_CLKREQ_L - @sync_lib.SYNC 4B5 7C6 MINI_CLKREQ_L = @sync_lib.SYNC 4B4 5C6 =PCIE_CLK100M_EXCARD_N =PCIE_CLK100M_EXCARD_N - 4D5 7B1 _N =@sync_lib.SYNC PCIE_CLK100M_EXCARD_N = @sync_lib.SYNC 4D2 6C3 =PCIE_CLK100M_EXCARD_P =PCIE_CLK100M_EXCARD_P - 4D5 7B1 _P =@sync_lib.SYNC PCIE_CLK100M_EXCARD_P = @sync_lib.SYNC 4D2 6C3 =PCIE_CLK100M_MINI_N =PCIE_CLK100M_MINI_N - 4B5 7C1 _N =@sync_lib.SYNC PCIE_CLK100M_MINI_N = @sync_lib.SYNC 4B2 5C6 =PCIE_CLK100M_MINI_P =PCIE_CLK100M_MINI_P - 4B5 7C1 _P =@sync_lib.SYNC PCIE_CLK100M_MINI_P = @sync_lib.SYNC 4B2 5C6 =PCIE_EXCARD_D2R_N =PCIE_EXCARD_D2R_N - @sync_lib.SYNC 4D5 7B3 PCIE_EXCARD_D2R_N = @sync_lib.SYNC 4D2 6C3 =PCIE_EXCARD_D2R_P =PCIE_EXCARD_D2R_P - @sync_lib.SYNC 4D5 7B3 PCIE_EXCARD_D2R_P = @sync_lib.SYNC 4D2 6C3 =PCIE_EXCARD_R2D_N =PCIE_EXCARD_R2D_N - @sync_lib.SYNC 4D5 7B3 PCIE_EXCARD_R2D_N = @sync_lib.SYNC 4D2 6C3 =PCIE_EXCARD_R2D_P =PCIE_EXCARD_R2D_P - @sync_lib.SYNC 4D5 7B3 PCIE_EXCARD_R2D_P = @sync_lib.SYNC 4D2 6C3 =PCIE_MINI_D2R_N =PCIE_MINI_D2R_N - @sync_lib.SYNC 4B5 7C3 PCIE_MINI_D2R_N = @sync_lib.SYNC 4B2 5C6 =PCIE_MINI_D2R_P =PCIE_MINI_D2R_P - @sync_lib.SYNC 4B5 7C3 PCIE_MINI_D2R_P = @sync_lib.SYNC 4B2 5C6 =PCIE_MINI_R2D_N =PCIE_MINI_R2D_N - @sync_lib.SYNC 4B5 7C3 PCIE_MINI_R2D_N = @sync_lib.SYNC 4B2 5C6 =PCIE_MINI_R2D_P =PCIE_MINI_R2D_P - @sync_lib.SYNC 4C5 7C3 PCIE_MINI_R2D_P = @sync_lib.SYNC 4C2 5B6 =PP1V5_S0_EXCARD =PP1V5_S0_EXCARD - @sync_lib.SYNC 4C6 6C7 6C8 PP1V5_S0_EXCARD = @sync_lib.SYNC 4D8 7B3 PP1V5_S0_MINI = @sync_lib.SYNC 4D7 5C2 PP1V5_S0_LIO = @sync_lib.SYNC 4D7 PP1V5_S0_MINI = @sync_lib.SYNC 4D7 5C2 PP1V5_S0_LIO = @sync_lib.SYNC 4D8 7B3 =PP3V3_S0_AUDIO =PP3V3_S0_AUDIO - @sync_lib.SYNC 4C6 PP3V3_S0_EXCARD = @sync_lib.SYNC 4C6 6B4 6C7 PP3V3_S0_FET = @sync_lib.SYNC 4C8 11A2 PP3V3_S0_MINI = @sync_lib.SYNC 4C6 5D2 PP3V3_S0_LIO = @sync_lib.SYNC 4C7 PP3V3_S3_EXCARD =PP3V3_S3_EXCARD - @sync_lib.SYNC 4C6 6B4 6C7 PP3V3_S3_EXCARD = @sync_lib.SYNC 4C6 6B8 6C7 6C8 PP3V3_S3_LFTALS = @sync_lib.SYNC 4C6 9D6 PP3V3_S3_LFTALS_TEMP = @sync_lib.SYNC 4C6 9B4 PP3V3_S3_REG = @sync_lib.SYNC 4C8 11A4 11B1 PP3V3_S3_MINI = @sync_lib.SYNC 4C6 5C2 PP3V3_S3_LIO = @sync_lib.SYNC 4C7 PP3V3_S3_REG = @sync_lib.SYNC 4C8 11A4 11B1 PP3V3_S3_MINI = @sync_lib.SYNC 4C6 5C2 PP3V3_S3_LFTALS_TEMP = @sync_lib.SYNC 4C6 9B4 PP3V3_S3_LFTALS = @sync_lib.SYNC 4C6 9D6 PP5V_S0_AUDIO =PP5V_S0_AUDIO - @sync_lib.SYNC 4B8 PP5V_S0_AUDIO_LIO = @sync_lib.SYNC 4B7 PP5V_S0_AUDIO_AMP = @sync_lib.SYNC 4B8 PP5V_S0_AUDIO_AMP_LIO = @sync_lib.SYNC 4B6 PP5V_S0_AUDIO_AMP_XW =PP5V_S0_AUDIO_AMP_XW - 11A6 PP5V_S0_AUDIO_XW = @sync_lib.SYNC PP5V_S3_LIO =PP5V_S3_LIO - @sync_lib.SYNC 11A6 PP5V_S3_REG = @sync_lib.SYNC 4C7 11A8 PP5V_S3_LTUSB = @sync_lib.SYNC 4C8 11C1 PP5V_S3_LIO = @sync_lib.SYNC 4C7 8B8</p>				<p>=PP5V_S3_REG - @sync_lib.SYNC 4C8 11C1 =PP5V_S3_LTUSB = @sync_lib.SYNC 4C7 8B8 =PPBUS_G3H_DCIN_CONN =PPBUS_G3H_DCIN_CONN - 4D8 12C4 @sync_lib.SYNC =PPVIN_S3V33 = @sync_lib.SYNC 4D6 11D8 PPBUS_G3H_DCIN_CONN = 4D7 =PPVIN_S3V33 = @sync_lib.SYNC 4D6 11D8 =SMBUS_ALSTEMP_SCL =SMBUS_ALSTEMP_SCL - @sync_lib.SYNC 4A2 9A6 =SMBUS_MINI_SCL =SMBUS_MINI_SCL - @sync_lib.SYNC 4A2 5B3 =SMBUS_SMC_SCL = @sync_lib.SYNC 4A3 7B3 =SMBUS_MINI_SCL = @sync_lib.SYNC 4A2 5B3 =SMBUS_ALSTEMP_SDA =SMBUS_ALSTEMP_SDA - @sync_lib.SYNC 4A4 9A6 =SMBUS_MINI_SDA = @sync_lib.SYNC 4A4 5B3 =SMBUS_SMC_SDA = @sync_lib.SYNC 4A5 7B3 =SMBUS_MINI_SDA = @sync_lib.SYNC 4A4 5B3 =SMBUS_EXCARD_SCL =SMBUS_EXCARD_SCL - @sync_lib.SYNC 4A2 6C3 =SMBUS_S3_SCL = @sync_lib.SYNC 4A3 7B6 =SMBUS_EXCARD_SDA = @sync_lib.SYNC 4A4 6C3 =SMBUS_S3_SDA = @sync_lib.SYNC 4A5 7B6 =SMBUS_MINI_SDA = @sync_lib.SYNC 4A4 5B3 =SMBUS_EXCARD_SCL =SMBUS_EXCARD_SCL - @sync_lib.SYNC 4A2 6C3 =SMBUS_S3_SCL = @sync_lib.SYNC 4A3 7B6 =SMBUS_EXCARD_SDA = @sync_lib.SYNC 4A4 6C3 =SMBUS_S3_SDA = @sync_lib.SYNC 4A5 7B6 =USB2_EXCARD_N =USB2_EXCARD_N - @sync_lib.SYNC 4D5 7C3 =USB2_EXCARD_P =USB2_EXCARD_P - @sync_lib.SYNC 4D2 6C3 =USB2_EXCARD_P = @sync_lib.SYNC 4D5 7C3 =USB2_LT2_N =USB2_LT2_N - @sync_lib.SYNC 4D2 6C3 =USB2_LT2_P =USB2_LT2_P - @sync_lib.SYNC 4B3 7C3 =USB2_LT2_N = @sync_lib.SYNC 4B5 8C5 =USB2_LT2_P = @sync_lib.SYNC 4B3 7C3 =USB2_LT_N =USB2_LT_N - @sync_lib.SYNC 4B3 7C3 =USB2_LT_P =USB2_LT_P - @sync_lib.SYNC 4B5 8B5 =USB2_LT_P = @sync_lib.SYNC 4B3 7C3 AC2_BITCLK =AC2_BITCLK - @sync_lib.SYNC 7B6 AC2_RST_L =AC2_RST_L - @sync_lib.SYNC 7B6 AC2_SDATAIN<0> =AC2_SDATAIN<0> - @sync_lib.SYNC 7B6 AC2_SDATAOUT =AC2_SDATAOUT - @sync_lib.SYNC 7B6 AC2_SYNC =AC2_SYNC - @sync_lib.SYNC 7B6 ADAPTER_SENSE =ADAPTER_SENSE - @sync_lib.SYNC 10D6 ADAPTER_SENSE_UP =ADAPTER_SENSE_UP - @sync_lib.SYNC 10D7 EC_HOLE1 =EC_HOLE1 - @sync_lib.SYNC 6D3 EC_HOLE2 =EC_HOLE2 - @sync_lib.SYNC 6B2 EXCARD_CLKREQ_CONN =EXCARD_CLKREQ_CONN - @sync_lib.SYNC 6B3 EXCARD_CLKREQ_CONN_L =EXCARD_CLKREQ_CONN_L - 6A4 6C3 EXCARD_CPPE_L =EXCARD_CPPE_L - @sync_lib.SYNC 6A8 6C3 6C3 EXCARD_CPURE_L =EXCARD_CPURE_L - @sync_lib.SYNC 6A8 6C3 6C3 EXCARD_RCLKEN =EXCARD_RCLKEN - @sync_lib.SYNC 6B3 6C5 EXCARD_SHDN_L_R =EXCARD_SHDN_L_R - @sync_lib.SYNC 6C5 GND_SVS3_SVS3_SGND =GND_SVS3_SVS3_SGND - @sync_lib.SYNC 11A6 GND_ADAPTER_UP =GND_ADAPTER_UP - @sync_lib.SYNC 10D7 LEFT_ALS_GAIN_SW =LEFT_ALS_GAIN_SW - @sync_lib.SYNC 7C6 9C4 LEFT_ALS_GAIN_SW_R =LEFT_ALS_GAIN_SW_R - @sync_lib.SYNC 9C5 LEFT_ALS_OP_COMP =LEFT_ALS_OP_COMP - @sync_lib.SYNC 9C6 LEFT_ALS_OP_IN =LEFT_ALS_OP_IN - @sync_lib.SYNC 9C5 LEFT_ALS_OUT =LEFT_ALS_OUT - @sync_lib.SYNC 7C6 9C4 LEFT_ALS_OUT_FB =LEFT_ALS_OUT_FB - @sync_lib.SYNC 9C5 LEFT_GAIN_SETTLING =LEFT_GAIN_SETTLING - @sync_lib.SYNC 9C5 LEFT_PHOTODIODE =LEFT_PHOTODIODE - @sync_lib.SYNC 9C6 LIO_P3V3S0_EN_R_L =LIO_P3V3S0_EN_R_L - @sync_lib.SYNC 11A3 LIO_P5V50_EN_R_L =LIO_P5V50_EN_R_L - @sync_lib.SYNC 11A8 LIO_PLT_RESET_L =LIO_PLT_RESET_L - @sync_lib.SYNC 4C3 7C6 PLT_RESET_L = @sync_lib.SYNC 4C4 5C3 6C7 NC_LED_WLAN_L =NC_LED_WLAN_L - @sync_lib.SYNC 5B3 NC_LED_WLAN_P =NC_LED_WLAN_P - @sync_lib.SYNC 5B3 NC_LED_WWAN_L =NC_LED_WWAN_L - @sync_lib.SYNC 5B3 NC_LIO_P3V3S3_PGOOD =NC_LIO_P3V3S3_PGOOD - 11B7 NC_LIO_P5V33_PGOOD =NC_LIO_P5V33_PGOOD - @sync_lib.SYNC 11B7 NC_UIM_CLK =NC_UIM_CLK - @sync_lib.SYNC 5C3 NC_UIM_DATA =NC_UIM_DATA - @sync_lib.SYNC 5C3 NC_UIM_PWR =NC_UIM_PWR - @sync_lib.SYNC 5C3 NC_UIM_RESET =NC_UIM_RESET - @sync_lib.SYNC 5C3 NC_UIM_VFP =NC_UIM_VFP - @sync_lib.SYNC 5C3 NC_W_DISABLE_L =NC_W_DISABLE_L - @sync_lib.SYNC 5C3 ONWIRE_DCIN_DIV =ONWIRE_DCIN_DIV - @sync_lib.SYNC 10C5 ONWIRE_EN =ONWIRE_EN - @sync_lib.SYNC 10C3 ONWIRE_ESD =ONWIRE_ESD - @sync_lib.SYNC 10C4 ONWIRE_OVERVOLT =ONWIRE_OVERVOLT - @sync_lib.SYNC 10C4 ONWIRE_PWR_EN_L =ONWIRE_PWR_EN_L - @sync_lib.SYNC 10C2 ONWIRE_PWR_EN_L_DIV =ONWIRE_PWR_EN_L_DIV - 10D2 P3V3S3_BOOT =P3V3S3_BOOT - @sync_lib.SYNC 11B4 11B6 P3V3S3_LG =P3V3S3_LG - @sync_lib.SYNC 11B4 P3V3S3_PHASE =P3V3S3_PHASE - @sync_lib.SYNC 11B4 P3V3S3_UG =P3V3S3_UG - @sync_lib.SYNC 11B4 P3V3S3_V02 =P3V3S3_V02 - @sync_lib.SYNC 11B6 P3V3S3_BOOT =P3V3S3_BOOT - @sync_lib.SYNC 11C4 11C6 P3V3S3_CS1 =P3V3S3_CS1 - @sync_lib.SYNC 11C6 P3V3S3_CS2 =P3V3S3_CS2 - @sync_lib.SYNC 11C6 P3V3S3_LG =P3V3S3_LG - @sync_lib.SYNC 11C4 P3V3S3_PHASE =P3V3S3_PHASE - @sync_lib.SYNC 11C4 P3V3S3_UG =P3V3S3_UG - @sync_lib.SYNC 11C4 P3V3S3_V5FILT =P3V3S3_V5FILT - @sync_lib.SYNC 11B6 11C5 11C6 P3V3S3_V01 =P3V3S3_V01 - @sync_lib.SYNC 11B6 P3V3S3_VREF =P3V3S3_VREF - @sync_lib.SYNC 11C5 11C8 P3V3S3_VREG3 =P3V3S3_VREG3 - @sync_lib.SYNC 11C5 P3V3S3_VREG5 =P3V3S3_VREG5 - @sync_lib.SYNC 11C5 PCIE_CLK100M_EXCARD =PCIE_CLK100M_EXCARD_UP_N - 7C4 _UP_N = @sync_lib.SYNC PCIE_CLK100M_EXCARD =PCIE_CLK100M_EXCARD_UP_P - 7B4 _UP_P = @sync_lib.SYNC PCIE_CLK100M_MINI_UP =PCIE_CLK100M_MINI_UP_N - 7C4 _N = @sync_lib.SYNC PCIE_CLK100M_MINI_UP =PCIE_CLK100M_MINI_UP_P - 7C4 _P = @sync_lib.SYNC PCIE_WAKE_EXCARD_L =PCIE_WAKE_EXCARD_L - @sync_lib.SYNC 4C3 6C3 PCIE_WAKE_L = @sync_lib.SYNC 4C4 7C6 PCIE_WAKE_MINI_L = @sync_lib.SYNC 4C3 5C6 PCIE_WAKE_L = @sync_lib.SYNC 4C4 7C6 PGND1 =PGND1 - @sync_lib.SYNC 11B6 PGND2 =PGND2 - @sync_lib.SYNC 11B6 PLT_RESET_SWITCH_L =PLT_RESET_SWITCH_L - @sync_lib.SYNC 6C3 6C3 PP1V5_S0_EXCARD_SWIT =PP1V5_S0_EXCARD_SWITCH - 6C3 6C3 CH = @sync_lib.SYNC PP3V3_S0_EXCARD_SWIT =PP3V3_S0_EXCARD_SWITCH - 6C3 6C3 CH = @sync_lib.SYNC PP3V3_S3_EXCARD_SWIT =PP3V3_S3_EXCARD_SWITCH - 6C3 6C3 CH = @sync_lib.SYNC PP5V_PWRON_USB_LEFT2 =PP5V_PWRON_USB_LEFT2_EMI - 8D4 _EMI = @sync_lib.SYNC PP5V_PWRON_USB_LEFT =PP5V_PWRON_USB_LEFT_EMI - 8B4 _EMI = @sync_lib.SYNC PP5V_S0_FET =PP5V_S0_FET - @sync_lib.SYNC 11A7 PP5V_S3_USB_SWITCH_O =PP5V_S3_USB_SWITCH_OUT1 - 8B5</p>				
C									C
B									B
A									A

	8	7	6	5	4	3	2	1																																																																																																																																																																																																																																																																																																																																	
D	Title: Cref Part Report Design: sync Date: Nov 17 19:00:01 2006		<table border="1"> <tr><td>R6901</td><td>RES_402</td><td>sync[10D2]</td></tr> <tr><td>R6902</td><td>RES_402</td><td>sync[10D5]</td></tr> <tr><td>R6904</td><td>RES_402</td><td>sync[10C6]</td></tr> <tr><td>R6905</td><td>RES_402</td><td>sync[10D3]</td></tr> <tr><td>R6909</td><td>RES_402</td><td>sync[10D1]</td></tr> <tr><td>R6910</td><td>RES_402</td><td>sync[10D1]</td></tr> <tr><td>R6911</td><td>RES_402</td><td>sync[10C2]</td></tr> <tr><td>R6990</td><td>RES_402</td><td>sync[10C5]</td></tr> <tr><td>R6991</td><td>RES_402</td><td>sync[10C4]</td></tr> <tr><td>R6992</td><td>RES_402</td><td>sync[10B1]</td></tr> <tr><td>R7610</td><td>RES_402</td><td>sync[11A8]</td></tr> <tr><td>R7620</td><td>RES_402</td><td>sync[11C5]</td></tr> <tr><td>R7621</td><td>RES_402</td><td>sync[11C6]</td></tr> <tr><td>R7622</td><td>RES_402</td><td>sync[11C7]</td></tr> <tr><td>R7625</td><td>RES_402</td><td>sync[11C6]</td></tr> <tr><td>R7660</td><td>RES_402</td><td>sync[11A4]</td></tr> <tr><td>SL0800</td><td>SLOT_TH</td><td>sync[4A8]</td></tr> <tr><td>U3500</td><td>PWR_CNTRL_TPS2231_QF</td><td>sync[6C5]</td></tr> <tr><td></td><td>N</td><td></td></tr> <tr><td>U3551</td><td>MC74VHC1G00_SC70-5</td><td>sync[6A6]</td></tr> <tr><td>U3560</td><td>MC74VHC1G00_SC70-5</td><td>sync[6B2]</td></tr> <tr><td>U4600</td><td>SWI_TPS2042B_MSOP</td><td>sync[8B6]</td></tr> <tr><td>U5801</td><td>OPAMP_MAX4236EUTT_SO</td><td>sync[9C5]</td></tr> <tr><td></td><td>T23-6-LF</td><td></td></tr> <tr><td>U5802</td><td>TMP106_WCSP-6</td><td>sync[9B5]</td></tr> <tr><td>U6990</td><td>COMPparator_IM397_SOT</td><td>sync[10C4]</td></tr> <tr><td></td><td>23-5</td><td></td></tr> <tr><td>U7600</td><td>TPS51120_ILP</td><td>sync[11C6]</td></tr> <tr><td>XW7600</td><td>SHORT_SM</td><td>sync[11A4]</td></tr> <tr><td>XW7601</td><td>SHORT_SM</td><td>sync[11A7]</td></tr> <tr><td>XW7602</td><td>SHORT_SM</td><td>sync[11A7]</td></tr> <tr><td>XW7603</td><td>SHORT_SM</td><td>sync[11A7]</td></tr> <tr><td>XW7604</td><td>SHORT_SM</td><td>sync[11A7]</td></tr> <tr><td>XW7605</td><td>SHORT_SM</td><td>sync[11A7]</td></tr> <tr><td>XW7606</td><td>SHORT_SM</td><td>sync[11A7]</td></tr> <tr><td>XW7607</td><td>SHORT_SM</td><td>sync[11B6]</td></tr> <tr><td>XW7608</td><td>SHORT_SM</td><td>sync[11B6]</td></tr> <tr><td>XW7609</td><td>SHORT_SM</td><td>sync[11A2]</td></tr> <tr><td>XW7610</td><td>SHORT_SM</td><td>sync[11A2]</td></tr> <tr><td>ZH0801</td><td>MTGSOLE</td><td>sync[4A8]</td></tr> <tr><td>ZH0802</td><td>MTGSOLE</td><td>sync[4A8]</td></tr> <tr><td>ZH0803</td><td>MTGSOLE</td><td>sync[4A8]</td></tr> <tr><td>ZH0804</td><td>MTGSOLE</td><td>sync[4A8]</td></tr> </table>						R6901	RES_402	sync[10D2]	R6902	RES_402	sync[10D5]	R6904	RES_402	sync[10C6]	R6905	RES_402	sync[10D3]	R6909	RES_402	sync[10D1]	R6910	RES_402	sync[10D1]	R6911	RES_402	sync[10C2]	R6990	RES_402	sync[10C5]	R6991	RES_402	sync[10C4]	R6992	RES_402	sync[10B1]	R7610	RES_402	sync[11A8]	R7620	RES_402	sync[11C5]	R7621	RES_402	sync[11C6]	R7622	RES_402	sync[11C7]	R7625	RES_402	sync[11C6]	R7660	RES_402	sync[11A4]	SL0800	SLOT_TH	sync[4A8]	U3500	PWR_CNTRL_TPS2231_QF	sync[6C5]		N		U3551	MC74VHC1G00_SC70-5	sync[6A6]	U3560	MC74VHC1G00_SC70-5	sync[6B2]	U4600	SWI_TPS2042B_MSOP	sync[8B6]	U5801	OPAMP_MAX4236EUTT_SO	sync[9C5]		T23-6-LF		U5802	TMP106_WCSP-6	sync[9B5]	U6990	COMPparator_IM397_SOT	sync[10C4]		23-5		U7600	TPS51120_ILP	sync[11C6]	XW7600	SHORT_SM	sync[11A4]	XW7601	SHORT_SM	sync[11A7]	XW7602	SHORT_SM	sync[11A7]	XW7603	SHORT_SM	sync[11A7]	XW7604	SHORT_SM	sync[11A7]	XW7605	SHORT_SM	sync[11A7]	XW7606	SHORT_SM	sync[11A7]	XW7607	SHORT_SM	sync[11B6]	XW7608	SHORT_SM	sync[11B6]	XW7609	SHORT_SM	sync[11A2]	XW7610	SHORT_SM	sync[11A2]	ZH0801	MTGSOLE	sync[4A8]	ZH0802	MTGSOLE	sync[4A8]	ZH0803	MTGSOLE	sync[4A8]	ZH0804	MTGSOLE	sync[4A8]																																																																																																																																																																																																
	R6901	RES_402	sync[10D2]																																																																																																																																																																																																																																																																																																																																						
R6902	RES_402	sync[10D5]																																																																																																																																																																																																																																																																																																																																							
R6904	RES_402	sync[10C6]																																																																																																																																																																																																																																																																																																																																							
R6905	RES_402	sync[10D3]																																																																																																																																																																																																																																																																																																																																							
R6909	RES_402	sync[10D1]																																																																																																																																																																																																																																																																																																																																							
R6910	RES_402	sync[10D1]																																																																																																																																																																																																																																																																																																																																							
R6911	RES_402	sync[10C2]																																																																																																																																																																																																																																																																																																																																							
R6990	RES_402	sync[10C5]																																																																																																																																																																																																																																																																																																																																							
R6991	RES_402	sync[10C4]																																																																																																																																																																																																																																																																																																																																							
R6992	RES_402	sync[10B1]																																																																																																																																																																																																																																																																																																																																							
R7610	RES_402	sync[11A8]																																																																																																																																																																																																																																																																																																																																							
R7620	RES_402	sync[11C5]																																																																																																																																																																																																																																																																																																																																							
R7621	RES_402	sync[11C6]																																																																																																																																																																																																																																																																																																																																							
R7622	RES_402	sync[11C7]																																																																																																																																																																																																																																																																																																																																							
R7625	RES_402	sync[11C6]																																																																																																																																																																																																																																																																																																																																							
R7660	RES_402	sync[11A4]																																																																																																																																																																																																																																																																																																																																							
SL0800	SLOT_TH	sync[4A8]																																																																																																																																																																																																																																																																																																																																							
U3500	PWR_CNTRL_TPS2231_QF	sync[6C5]																																																																																																																																																																																																																																																																																																																																							
	N																																																																																																																																																																																																																																																																																																																																								
U3551	MC74VHC1G00_SC70-5	sync[6A6]																																																																																																																																																																																																																																																																																																																																							
U3560	MC74VHC1G00_SC70-5	sync[6B2]																																																																																																																																																																																																																																																																																																																																							
U4600	SWI_TPS2042B_MSOP	sync[8B6]																																																																																																																																																																																																																																																																																																																																							
U5801	OPAMP_MAX4236EUTT_SO	sync[9C5]																																																																																																																																																																																																																																																																																																																																							
	T23-6-LF																																																																																																																																																																																																																																																																																																																																								
U5802	TMP106_WCSP-6	sync[9B5]																																																																																																																																																																																																																																																																																																																																							
U6990	COMPparator_IM397_SOT	sync[10C4]																																																																																																																																																																																																																																																																																																																																							
	23-5																																																																																																																																																																																																																																																																																																																																								
U7600	TPS51120_ILP	sync[11C6]																																																																																																																																																																																																																																																																																																																																							
XW7600	SHORT_SM	sync[11A4]																																																																																																																																																																																																																																																																																																																																							
XW7601	SHORT_SM	sync[11A7]																																																																																																																																																																																																																																																																																																																																							
XW7602	SHORT_SM	sync[11A7]																																																																																																																																																																																																																																																																																																																																							
XW7603	SHORT_SM	sync[11A7]																																																																																																																																																																																																																																																																																																																																							
XW7604	SHORT_SM	sync[11A7]																																																																																																																																																																																																																																																																																																																																							
XW7605	SHORT_SM	sync[11A7]																																																																																																																																																																																																																																																																																																																																							
XW7606	SHORT_SM	sync[11A7]																																																																																																																																																																																																																																																																																																																																							
XW7607	SHORT_SM	sync[11B6]																																																																																																																																																																																																																																																																																																																																							
XW7608	SHORT_SM	sync[11B6]																																																																																																																																																																																																																																																																																																																																							
XW7609	SHORT_SM	sync[11A2]																																																																																																																																																																																																																																																																																																																																							
XW7610	SHORT_SM	sync[11A2]																																																																																																																																																																																																																																																																																																																																							
ZH0801	MTGSOLE	sync[4A8]																																																																																																																																																																																																																																																																																																																																							
ZH0802	MTGSOLE	sync[4A8]																																																																																																																																																																																																																																																																																																																																							
ZH0803	MTGSOLE	sync[4A8]																																																																																																																																																																																																																																																																																																																																							
ZH0804	MTGSOLE	sync[4A8]																																																																																																																																																																																																																																																																																																																																							
C	<table border="1"> <tr><td>C3400</td><td>CAP_402</td><td>sync[5C3]</td></tr> <tr><td>C3401</td><td>CAP_603</td><td>sync[5C3]</td></tr> <tr><td>C3410</td><td>CAP_402</td><td>sync[5C3]</td></tr> <tr><td>C3411</td><td>CAP_603</td><td>sync[5C3]</td></tr> <tr><td>C3420</td><td>CAP_402</td><td>sync[5C3]</td></tr> <tr><td>C3421</td><td>CAP_603</td><td>sync[5C3]</td></tr> <tr><td>C3500</td><td>CAP_402</td><td>sync[6C4]</td></tr> <tr><td>C3501</td><td>CAP_402</td><td>sync[6C4]</td></tr> <tr><td>C3502</td><td>CAP_402</td><td>sync[6C4]</td></tr> <tr><td>C3503</td><td>CAP_603</td><td>sync[6C4]</td></tr> <tr><td>C3504</td><td>CAP_603</td><td>sync[6C4]</td></tr> <tr><td>C3505</td><td>CAP_603</td><td>sync[6C4]</td></tr> <tr><td>C3530</td><td>CAP_402</td><td>sync[6C8]</td></tr> <tr><td>C3531</td><td>CAP_603</td><td>sync[6C7]</td></tr> <tr><td>C3534</td><td>CAP_402</td><td>sync[6C8]</td></tr> <tr><td>C3535</td><td>CAP_603</td><td>sync[6C7]</td></tr> <tr><td>C3550</td><td>CAP_402</td><td>sync[6A7]</td></tr> <tr><td>C3560</td><td>CAP_402</td><td>sync[6A3]</td></tr> <tr><td>C4600</td><td>CAP_603</td><td>sync[8B7]</td></tr> <tr><td>C4601</td><td>CAP_402</td><td>sync[8B7]</td></tr> <tr><td>C4602</td><td>CAP_603</td><td>sync[8B6]</td></tr> <tr><td>C4603</td><td>CAP_P_CASE-C2-SM</td><td>sync[8B5]</td></tr> <tr><td>C4612</td><td>CAP_603</td><td>sync[8C6]</td></tr> <tr><td>C4613</td><td>CAP_P_CASE-C2-SM</td><td>sync[8C5]</td></tr> <tr><td>C4650</td><td>CAP_603</td><td>sync[8B3]</td></tr> <tr><td>C4651</td><td>CAP_603</td><td>sync[8A3]</td></tr> <tr><td>C4660</td><td>CAP_603</td><td>sync[8D3]</td></tr> <tr><td>C4661</td><td>CAP_603</td><td>sync[8C3]</td></tr> <tr><td>C5801</td><td>CAP_402</td><td>sync[9C6]</td></tr> <tr><td>C5802</td><td>CAP_402</td><td>sync[9C5]</td></tr> <tr><td>C5803</td><td>CAP_402</td><td>sync[9D5]</td></tr> <tr><td>C5804</td><td>CAP_402</td><td>sync[9B5]</td></tr> <tr><td>C5805</td><td>CAP_402</td><td>sync[9A4]</td></tr> <tr><td>C6900</td><td>CAP_805</td><td>sync[10D7]</td></tr> <tr><td>C6901</td><td>CAP_805</td><td>sync[10D7]</td></tr> <tr><td>C6903</td><td>CAP_402</td><td>sync[10D7]</td></tr> <tr><td>C6904</td><td>CAP_603</td><td>sync[10D6]</td></tr> <tr><td>C6905</td><td>CAP_603</td><td>sync[10D4]</td></tr> <tr><td>C6906</td><td>CAP_402</td><td>sync[10C2]</td></tr> <tr><td>C6907</td><td>CAP_402</td><td>sync[10B1]</td></tr> <tr><td>C7600</td><td>CAP_603</td><td>sync[11D2]</td></tr> <tr><td>C7601</td><td>CAP_805-2</td><td>sync[11C2]</td></tr> <tr><td>C7602</td><td>CAP_P_CASE-C2-SM</td><td>sync[11C1]</td></tr> <tr><td>C7603</td><td>CAP_402</td><td>sync[11C3]</td></tr> <tr><td>C7610</td><td>CAP_402</td><td>sync[11A7]</td></tr> <tr><td>C7620</td><td>CAP_603</td><td>sync[11C6]</td></tr> <tr><td>C7621</td><td>CAP_402</td><td>sync[11C7]</td></tr> <tr><td>C7622</td><td>CAP_603</td><td>sync[11B5]</td></tr> <tr><td>C7623</td><td>CAP_603</td><td>sync[11B5]</td></tr> <tr><td>C7624</td><td>CAP_402</td><td>sync[11B5]</td></tr> <tr><td>C7625</td><td>CAP_P_CASE-D2-LF</td><td>sync[11D4]</td></tr> <tr><td>C7650</td><td>CAP_603</td><td>sync[11B2]</td></tr> <tr><td>C7651</td><td>CAP_603</td><td>sync[11B2]</td></tr> <tr><td>C7652</td><td>CAP_P_CASE-C2-SM</td><td>sync[11B1]</td></tr> <tr><td>C7653</td><td>CAP_402</td><td>sync[11B3]</td></tr> <tr><td>C7660</td><td>CAP_402</td><td>sync[11A3]</td></tr> <tr><td>D4600</td><td>DIODE_SCHOT_3P_A_SC-75</td><td>sync[8A3]</td></tr> <tr><td>D4610</td><td>DIODE_SCHOT_3P_A_SC-75</td><td>sync[8C4]</td></tr> <tr><td>D6900</td><td>DIODE_SCHOT_3P_A_SC-75</td><td>sync[10C7]</td></tr> <tr><td>F6900</td><td>FUSE_1206</td><td>sync[10D5]</td></tr> <tr><td>FL3600</td><td>FILTER_4P_1210-4SM1</td><td>sync[7C3]</td></tr> <tr><td>FL3601</td><td>FILTER_4P_1210-4SM1</td><td>sync[7B3]</td></tr> <tr><td>J3400</td><td>CON_F52RT_D2MT_SM_F-ST-SM</td><td>sync[5C5]</td></tr> <tr><td>J3500</td><td>CON_F26RT_S2MT_SM_M5_9_F-RT-SM</td><td>sync[6D2]</td></tr> <tr><td>J3600</td><td>CON_F80ST_D4MT_SM_F-ST-SM</td><td>sync[7C4]</td></tr> <tr><td>J4600</td><td>CON_F4RT_USB_S2MT_TH_F-RT-TH-USB-LFT</td><td>sync[8B2]</td></tr> <tr><td>J4610</td><td>CON_F4RT_USB_S2MT_TH_F-RT-TH-USB-LFT</td><td>sync[8C2]</td></tr> <tr><td>J6900</td><td>CON_F5RT_S2MT_TH3_F-RT-TH-MG3</td><td>sync[10D8]</td></tr> <tr><td>J9615</td><td>CON_M8RT_S_SM_M-RT-S</td><td>sync[12C5]</td></tr> <tr><td></td><td>M</td><td></td></tr> <tr><td>L3400</td><td>FILTER_4P_1210-4SM1</td><td>sync[5B2]</td></tr> <tr><td>L4600</td><td>FILTER_4P_1210-4SM1</td><td>sync[8B4]</td></tr> <tr><td>L4601</td><td>IND_0603</td><td>sync[8B4]</td></tr> <tr><td>L4610</td><td>FILTER_4P_1210-4SM1</td><td>sync[8C4]</td></tr> <tr><td>L4611</td><td>IND_0603</td><td>sync[8D4]</td></tr> <tr><td>L4650</td><td>IND_0603</td><td>sync[8A4]</td></tr> <tr><td>L4660</td><td>IND_0603</td><td>sync[8C4]</td></tr> <tr><td>L6900</td><td>FILTER_4P_SM</td><td>sync[10D6]</td></tr> <tr><td>L6901</td><td>IND_SM-1</td><td>sync[10D6]</td></tr> <tr><td>L7600</td><td>IND_IHLP</td><td>sync[11C2]</td></tr> <tr><td>L7650</td><td>IND_IHLP</td><td>sync[11B2]</td></tr> <tr><td>PDS801</td><td>PHOTODIODE_2P_TH-WTH-SPCR</td><td>sync[9C6]</td></tr> <tr><td>Q3560</td><td>TRA_2N7002_SOT23-LF</td><td>sync[6B3]</td></tr> <tr><td>Q5801</td><td>TRA_2N7002_SOT23-LF</td><td>sync[9C5]</td></tr> <tr><td>Q6900</td><td>TRA_2N7002DW_SOT-363</td><td>sync[10C1 10C3]</td></tr> <tr><td>Q6901</td><td>TRA_2N7002DW_SOT-363</td><td>sync[10C1 10C2]</td></tr> <tr><td>Q6909</td><td>TRA_TP0610_SOT23-3</td><td>sync[10D2]</td></tr> <tr><td>Q7600</td><td>TRA_FDM6296_MICROFET</td><td>sync[11C3]</td></tr> <tr><td></td><td>3X3</td><td></td></tr> <tr><td>Q7601</td><td>TRA_FDM6296_MICROFET</td><td>sync[11C3]</td></tr> <tr><td></td><td>3X3</td><td></td></tr> <tr><td>Q7610</td><td>TRA_IRF7707_TSSOP</td><td>sync[11A7]</td></tr> <tr><td>Q7650</td><td>TRA_S17212DN_PWRPK-1</td><td>sync[11B3 11B3]</td></tr> <tr><td></td><td>212-8</td><td></td></tr> <tr><td>Q7660</td><td>TRA_IRF7707_TSSOP</td><td>sync[11A3]</td></tr> <tr><td>R3500</td><td>RES_402</td><td>sync[6C6]</td></tr> <tr><td>R3560</td><td>RES_402</td><td>sync[6B3]</td></tr> <tr><td>R3561</td><td>RES_402</td><td>sync[6B3]</td></tr> <tr><td>R3570</td><td>RES_402</td><td>sync[6B2]</td></tr> <tr><td>R3571</td><td>RES_402</td><td>sync[6D3]</td></tr> <tr><td>R3600</td><td>RES_402</td><td>sync[7B4]</td></tr> <tr><td>R5801</td><td>RES_402</td><td>sync[9C6]</td></tr> <tr><td>R5802</td><td>RES_402</td><td>sync[9C6]</td></tr> <tr><td>R5803</td><td>RES_402</td><td>sync[9C5]</td></tr> <tr><td>R5804</td><td>RES_402</td><td>sync[9C5]</td></tr> <tr><td>R5805</td><td>RES_402</td><td>sync[9C5]</td></tr> <tr><td>R5806</td><td>RES_402</td><td>sync[9C4]</td></tr> <tr><td>R5807</td><td>RES_402</td><td>sync[9C4]</td></tr> <tr><td>R6900</td><td>RES_402</td><td>sync[10C2]</td></tr> </table>		C3400	CAP_402	sync[5C3]	C3401	CAP_603	sync[5C3]	C3410	CAP_402	sync[5C3]	C3411	CAP_603	sync[5C3]	C3420	CAP_402	sync[5C3]	C3421	CAP_603	sync[5C3]	C3500	CAP_402	sync[6C4]	C3501	CAP_402	sync[6C4]	C3502	CAP_402	sync[6C4]	C3503	CAP_603	sync[6C4]	C3504	CAP_603	sync[6C4]	C3505	CAP_603	sync[6C4]	C3530	CAP_402	sync[6C8]	C3531	CAP_603	sync[6C7]	C3534	CAP_402	sync[6C8]	C3535	CAP_603	sync[6C7]	C3550	CAP_402	sync[6A7]	C3560	CAP_402	sync[6A3]	C4600	CAP_603	sync[8B7]	C4601	CAP_402	sync[8B7]	C4602	CAP_603	sync[8B6]	C4603	CAP_P_CASE-C2-SM	sync[8B5]	C4612	CAP_603	sync[8C6]	C4613	CAP_P_CASE-C2-SM	sync[8C5]	C4650	CAP_603	sync[8B3]	C4651	CAP_603	sync[8A3]	C4660	CAP_603	sync[8D3]	C4661	CAP_603	sync[8C3]	C5801	CAP_402	sync[9C6]	C5802	CAP_402	sync[9C5]	C5803	CAP_402	sync[9D5]	C5804	CAP_402	sync[9B5]	C5805	CAP_402	sync[9A4]	C6900	CAP_805	sync[10D7]	C6901	CAP_805	sync[10D7]	C6903	CAP_402	sync[10D7]	C6904	CAP_603	sync[10D6]	C6905	CAP_603	sync[10D4]	C6906	CAP_402	sync[10C2]	C6907	CAP_402	sync[10B1]	C7600	CAP_603	sync[11D2]	C7601	CAP_805-2	sync[11C2]	C7602	CAP_P_CASE-C2-SM	sync[11C1]	C7603	CAP_402	sync[11C3]	C7610	CAP_402	sync[11A7]	C7620	CAP_603	sync[11C6]	C7621	CAP_402	sync[11C7]	C7622	CAP_603	sync[11B5]	C7623	CAP_603	sync[11B5]	C7624	CAP_402	sync[11B5]	C7625	CAP_P_CASE-D2-LF	sync[11D4]	C7650	CAP_603	sync[11B2]	C7651	CAP_603	sync[11B2]	C7652	CAP_P_CASE-C2-SM	sync[11B1]	C7653	CAP_402	sync[11B3]	C7660	CAP_402	sync[11A3]	D4600	DIODE_SCHOT_3P_A_SC-75	sync[8A3]	D4610	DIODE_SCHOT_3P_A_SC-75	sync[8C4]	D6900	DIODE_SCHOT_3P_A_SC-75	sync[10C7]	F6900	FUSE_1206	sync[10D5]	FL3600	FILTER_4P_1210-4SM1	sync[7C3]	FL3601	FILTER_4P_1210-4SM1	sync[7B3]	J3400	CON_F52RT_D2MT_SM_F-ST-SM	sync[5C5]	J3500	CON_F26RT_S2MT_SM_M5_9_F-RT-SM	sync[6D2]	J3600	CON_F80ST_D4MT_SM_F-ST-SM	sync[7C4]	J4600	CON_F4RT_USB_S2MT_TH_F-RT-TH-USB-LFT	sync[8B2]	J4610	CON_F4RT_USB_S2MT_TH_F-RT-TH-USB-LFT	sync[8C2]	J6900	CON_F5RT_S2MT_TH3_F-RT-TH-MG3	sync[10D8]	J9615	CON_M8RT_S_SM_M-RT-S	sync[12C5]		M		L3400	FILTER_4P_1210-4SM1	sync[5B2]	L4600	FILTER_4P_1210-4SM1	sync[8B4]	L4601	IND_0603	sync[8B4]	L4610	FILTER_4P_1210-4SM1	sync[8C4]	L4611	IND_0603	sync[8D4]	L4650	IND_0603	sync[8A4]	L4660	IND_0603	sync[8C4]	L6900	FILTER_4P_SM	sync[10D6]	L6901	IND_SM-1	sync[10D6]	L7600	IND_IHLP	sync[11C2]	L7650	IND_IHLP	sync[11B2]	PDS801	PHOTODIODE_2P_TH-WTH-SPCR	sync[9C6]	Q3560	TRA_2N7002_SOT23-LF	sync[6B3]	Q5801	TRA_2N7002_SOT23-LF	sync[9C5]	Q6900	TRA_2N7002DW_SOT-363	sync[10C1 10C3]	Q6901	TRA_2N7002DW_SOT-363	sync[10C1 10C2]	Q6909	TRA_TP0610_SOT23-3	sync[10D2]	Q7600	TRA_FDM6296_MICROFET	sync[11C3]		3X3		Q7601	TRA_FDM6296_MICROFET	sync[11C3]		3X3		Q7610	TRA_IRF7707_TSSOP	sync[11A7]	Q7650	TRA_S17212DN_PWRPK-1	sync[11B3 11B3]		212-8		Q7660	TRA_IRF7707_TSSOP	sync[11A3]	R3500	RES_402	sync[6C6]	R3560	RES_402	sync[6B3]	R3561	RES_402	sync[6B3]	R3570	RES_402	sync[6B2]	R3571	RES_402	sync[6D3]	R3600	RES_402	sync[7B4]	R5801	RES_402	sync[9C6]	R5802	RES_402	sync[9C6]	R5803	RES_402	sync[9C5]	R5804	RES_402	sync[9C5]	R5805	RES_402	sync[9C5]	R5806	RES_402	sync[9C4]	R5807	RES_402	sync[9C4]	R6900	RES_402	sync[10C2]
C3400	CAP_402	sync[5C3]																																																																																																																																																																																																																																																																																																																																							
C3401	CAP_603	sync[5C3]																																																																																																																																																																																																																																																																																																																																							
C3410	CAP_402	sync[5C3]																																																																																																																																																																																																																																																																																																																																							
C3411	CAP_603	sync[5C3]																																																																																																																																																																																																																																																																																																																																							
C3420	CAP_402	sync[5C3]																																																																																																																																																																																																																																																																																																																																							
C3421	CAP_603	sync[5C3]																																																																																																																																																																																																																																																																																																																																							
C3500	CAP_402	sync[6C4]																																																																																																																																																																																																																																																																																																																																							
C3501	CAP_402	sync[6C4]																																																																																																																																																																																																																																																																																																																																							
C3502	CAP_402	sync[6C4]																																																																																																																																																																																																																																																																																																																																							
C3503	CAP_603	sync[6C4]																																																																																																																																																																																																																																																																																																																																							
C3504	CAP_603	sync[6C4]																																																																																																																																																																																																																																																																																																																																							
C3505	CAP_603	sync[6C4]																																																																																																																																																																																																																																																																																																																																							
C3530	CAP_402	sync[6C8]																																																																																																																																																																																																																																																																																																																																							
C3531	CAP_603	sync[6C7]																																																																																																																																																																																																																																																																																																																																							
C3534	CAP_402	sync[6C8]																																																																																																																																																																																																																																																																																																																																							
C3535	CAP_603	sync[6C7]																																																																																																																																																																																																																																																																																																																																							
C3550	CAP_402	sync[6A7]																																																																																																																																																																																																																																																																																																																																							
C3560	CAP_402	sync[6A3]																																																																																																																																																																																																																																																																																																																																							
C4600	CAP_603	sync[8B7]																																																																																																																																																																																																																																																																																																																																							
C4601	CAP_402	sync[8B7]																																																																																																																																																																																																																																																																																																																																							
C4602	CAP_603	sync[8B6]																																																																																																																																																																																																																																																																																																																																							
C4603	CAP_P_CASE-C2-SM	sync[8B5]																																																																																																																																																																																																																																																																																																																																							
C4612	CAP_603	sync[8C6]																																																																																																																																																																																																																																																																																																																																							
C4613	CAP_P_CASE-C2-SM	sync[8C5]																																																																																																																																																																																																																																																																																																																																							
C4650	CAP_603	sync[8B3]																																																																																																																																																																																																																																																																																																																																							
C4651	CAP_603	sync[8A3]																																																																																																																																																																																																																																																																																																																																							
C4660	CAP_603	sync[8D3]																																																																																																																																																																																																																																																																																																																																							
C4661	CAP_603	sync[8C3]																																																																																																																																																																																																																																																																																																																																							
C5801	CAP_402	sync[9C6]																																																																																																																																																																																																																																																																																																																																							
C5802	CAP_402	sync[9C5]																																																																																																																																																																																																																																																																																																																																							
C5803	CAP_402	sync[9D5]																																																																																																																																																																																																																																																																																																																																							
C5804	CAP_402	sync[9B5]																																																																																																																																																																																																																																																																																																																																							
C5805	CAP_402	sync[9A4]																																																																																																																																																																																																																																																																																																																																							
C6900	CAP_805	sync[10D7]																																																																																																																																																																																																																																																																																																																																							
C6901	CAP_805	sync[10D7]																																																																																																																																																																																																																																																																																																																																							
C6903	CAP_402	sync[10D7]																																																																																																																																																																																																																																																																																																																																							
C6904	CAP_603	sync[10D6]																																																																																																																																																																																																																																																																																																																																							
C6905	CAP_603	sync[10D4]																																																																																																																																																																																																																																																																																																																																							
C6906	CAP_402	sync[10C2]																																																																																																																																																																																																																																																																																																																																							
C6907	CAP_402	sync[10B1]																																																																																																																																																																																																																																																																																																																																							
C7600	CAP_603	sync[11D2]																																																																																																																																																																																																																																																																																																																																							
C7601	CAP_805-2	sync[11C2]																																																																																																																																																																																																																																																																																																																																							
C7602	CAP_P_CASE-C2-SM	sync[11C1]																																																																																																																																																																																																																																																																																																																																							
C7603	CAP_402	sync[11C3]																																																																																																																																																																																																																																																																																																																																							
C7610	CAP_402	sync[11A7]																																																																																																																																																																																																																																																																																																																																							
C7620	CAP_603	sync[11C6]																																																																																																																																																																																																																																																																																																																																							
C7621	CAP_402	sync[11C7]																																																																																																																																																																																																																																																																																																																																							
C7622	CAP_603	sync[11B5]																																																																																																																																																																																																																																																																																																																																							
C7623	CAP_603	sync[11B5]																																																																																																																																																																																																																																																																																																																																							
C7624	CAP_402	sync[11B5]																																																																																																																																																																																																																																																																																																																																							
C7625	CAP_P_CASE-D2-LF	sync[11D4]																																																																																																																																																																																																																																																																																																																																							
C7650	CAP_603	sync[11B2]																																																																																																																																																																																																																																																																																																																																							
C7651	CAP_603	sync[11B2]																																																																																																																																																																																																																																																																																																																																							
C7652	CAP_P_CASE-C2-SM	sync[11B1]																																																																																																																																																																																																																																																																																																																																							
C7653	CAP_402	sync[11B3]																																																																																																																																																																																																																																																																																																																																							
C7660	CAP_402	sync[11A3]																																																																																																																																																																																																																																																																																																																																							
D4600	DIODE_SCHOT_3P_A_SC-75	sync[8A3]																																																																																																																																																																																																																																																																																																																																							
D4610	DIODE_SCHOT_3P_A_SC-75	sync[8C4]																																																																																																																																																																																																																																																																																																																																							
D6900	DIODE_SCHOT_3P_A_SC-75	sync[10C7]																																																																																																																																																																																																																																																																																																																																							
F6900	FUSE_1206	sync[10D5]																																																																																																																																																																																																																																																																																																																																							
FL3600	FILTER_4P_1210-4SM1	sync[7C3]																																																																																																																																																																																																																																																																																																																																							
FL3601	FILTER_4P_1210-4SM1	sync[7B3]																																																																																																																																																																																																																																																																																																																																							
J3400	CON_F52RT_D2MT_SM_F-ST-SM	sync[5C5]																																																																																																																																																																																																																																																																																																																																							
J3500	CON_F26RT_S2MT_SM_M5_9_F-RT-SM	sync[6D2]																																																																																																																																																																																																																																																																																																																																							
J3600	CON_F80ST_D4MT_SM_F-ST-SM	sync[7C4]																																																																																																																																																																																																																																																																																																																																							
J4600	CON_F4RT_USB_S2MT_TH_F-RT-TH-USB-LFT	sync[8B2]																																																																																																																																																																																																																																																																																																																																							
J4610	CON_F4RT_USB_S2MT_TH_F-RT-TH-USB-LFT	sync[8C2]																																																																																																																																																																																																																																																																																																																																							
J6900	CON_F5RT_S2MT_TH3_F-RT-TH-MG3	sync[10D8]																																																																																																																																																																																																																																																																																																																																							
J9615	CON_M8RT_S_SM_M-RT-S	sync[12C5]																																																																																																																																																																																																																																																																																																																																							
	M																																																																																																																																																																																																																																																																																																																																								
L3400	FILTER_4P_1210-4SM1	sync[5B2]																																																																																																																																																																																																																																																																																																																																							
L4600	FILTER_4P_1210-4SM1	sync[8B4]																																																																																																																																																																																																																																																																																																																																							
L4601	IND_0603	sync[8B4]																																																																																																																																																																																																																																																																																																																																							
L4610	FILTER_4P_1210-4SM1	sync[8C4]																																																																																																																																																																																																																																																																																																																																							
L4611	IND_0603	sync[8D4]																																																																																																																																																																																																																																																																																																																																							
L4650	IND_0603	sync[8A4]																																																																																																																																																																																																																																																																																																																																							
L4660	IND_0603	sync[8C4]																																																																																																																																																																																																																																																																																																																																							
L6900	FILTER_4P_SM	sync[10D6]																																																																																																																																																																																																																																																																																																																																							
L6901	IND_SM-1	sync[10D6]																																																																																																																																																																																																																																																																																																																																							
L7600	IND_IHLP	sync[11C2]																																																																																																																																																																																																																																																																																																																																							
L7650	IND_IHLP	sync[11B2]																																																																																																																																																																																																																																																																																																																																							
PDS801	PHOTODIODE_2P_TH-WTH-SPCR	sync[9C6]																																																																																																																																																																																																																																																																																																																																							
Q3560	TRA_2N7002_SOT23-LF	sync[6B3]																																																																																																																																																																																																																																																																																																																																							
Q5801	TRA_2N7002_SOT23-LF	sync[9C5]																																																																																																																																																																																																																																																																																																																																							
Q6900	TRA_2N7002DW_SOT-363	sync[10C1 10C3]																																																																																																																																																																																																																																																																																																																																							
Q6901	TRA_2N7002DW_SOT-363	sync[10C1 10C2]																																																																																																																																																																																																																																																																																																																																							
Q6909	TRA_TP0610_SOT23-3	sync[10D2]																																																																																																																																																																																																																																																																																																																																							
Q7600	TRA_FDM6296_MICROFET	sync[11C3]																																																																																																																																																																																																																																																																																																																																							
	3X3																																																																																																																																																																																																																																																																																																																																								
Q7601	TRA_FDM6296_MICROFET	sync[11C3]																																																																																																																																																																																																																																																																																																																																							
	3X3																																																																																																																																																																																																																																																																																																																																								
Q7610	TRA_IRF7707_TSSOP	sync[11A7]																																																																																																																																																																																																																																																																																																																																							
Q7650	TRA_S17212DN_PWRPK-1	sync[11B3 11B3]																																																																																																																																																																																																																																																																																																																																							
	212-8																																																																																																																																																																																																																																																																																																																																								
Q7660	TRA_IRF7707_TSSOP	sync[11A3]																																																																																																																																																																																																																																																																																																																																							
R3500	RES_402	sync[6C6]																																																																																																																																																																																																																																																																																																																																							
R3560	RES_402	sync[6B3]																																																																																																																																																																																																																																																																																																																																							
R3561	RES_402	sync[6B3]																																																																																																																																																																																																																																																																																																																																							
R3570	RES_402	sync[6B2]																																																																																																																																																																																																																																																																																																																																							
R3571	RES_402	sync[6D3]																																																																																																																																																																																																																																																																																																																																							
R3600	RES_402	sync[7B4]																																																																																																																																																																																																																																																																																																																																							
R5801	RES_402	sync[9C6]																																																																																																																																																																																																																																																																																																																																							
R5802	RES_402	sync[9C6]																																																																																																																																																																																																																																																																																																																																							
R5803	RES_402	sync[9C5]																																																																																																																																																																																																																																																																																																																																							
R5804	RES_402	sync[9C5]																																																																																																																																																																																																																																																																																																																																							
R5805	RES_402	sync[9C5]																																																																																																																																																																																																																																																																																																																																							
R5806	RES_402	sync[9C4]																																																																																																																																																																																																																																																																																																																																							
R5807	RES_402	sync[9C4]																																																																																																																																																																																																																																																																																																																																							
R6900	RES_402	sync[10C2]																																																																																																																																																																																																																																																																																																																																							
B																																																																																																																																																																																																																																																																																																																																									
A																																																																																																																																																																																																																																																																																																																																									
	8	7	6	5	4	3	2	1																																																																																																																																																																																																																																																																																																																																	

8

7

6

5

4

3

2

1

CHANGE LIST

11/27/06:

FIRST M76 LIMA SCHEMATIC CHECK-IN

FUTURE UPDATES LOGGED IN PERFORCE

D

D

C

C

B

B

A

A

8

7

6

5

4

3

2

1

HISTORY: NON-AUDIO

SYNC_MASTER=(MASTER) SYNC_DATE=(MASTER)


NOTICE OF PROPRIETARY PROPERTY

THE INFORMATION CONTAINED HEREIN IS THE PROPRIETARY PROPERTY OF APPLE COMPUTER, INC. THE POSSESSOR AGREES TO THE FOLLOWING

I TO MAINTAIN THE DOCUMENT IN CONFIDENCE

II NOT TO REPRODUCE OR COPY IT


III NOT TO REVEAL OR PUBLISH IN WHOLE OR PART

 APPLE COMPUTER INC.	SIZE	DRAWING NUMBER	REV.
	D	051-7268	02
SCALE	SHT		OF
NONE	21		24

CHANGE LIST

MAY 03 2006:FIRST RELEASE
MAY 04 2006:REMOVED U7350
MAY 10 2006:CONNECT XW7200.1 TO GND AUDIO PWR INSTEAD OF 5V. REPLACED C7301/02/04/52/53/55 WITH ZAP DIODES
MAY 25 2006:REPLACED R6801 TO R7000, R7200 WITH 155S0138. CHANGED C6803 TO 22UF ROHS COMPLIANT CAP
MAY 31 2006:CHANGE U6800 TO 353S1458, DC SCREENED VERSION. CHANGED NETNAME "=GND_AUDIO_PWR" TO "=GND_AUDIO_AMP"
JUNE 1 2006:CHANGED NETNAME "=PP5V_S0_AUDIO_PWR" TO "=PP5V_S0_AUDIO_AMP"
JUNE 1 2006:ADDED NETNAMES TO NC PINS ON U6800. ADDED "NO_TEST=TRUE" ATTRIBUTES TO NC NETS.
JUNE 28 2006:ADDED CRITICAL TO U6800. REMOVE "?" FROM BOMOPTION TABLE

NOTICE OF PROPRIETARY PROPERTY
THE INFORMATION CONTAINED HEREIN IS THE PROPRIETARY PROPERTY OF APPLE COMPUTER, INC. THE POSSESSOR AGREES TO THE FOLLOWING
I TO MAINTAIN THE DOCUMENT IN CONFIDENCE
II NOT TO REPRODUCE OR COPY IT
III NOT TO REVEAL OR PUBLISH IN WHOLE OR PART

 APPLE COMPUTER INC.	SIZE	DRAMING NUMBER	REV.
	D	051-7268	02
SCALE	NONE	SHT	22 OF 24

8	7	6	5	4	3	2	1
Title: Cref Part Report Design: lio Date: Feb 5 11:54:33 2007		C7650 CAP_603 lio[17B2] C7651 CAP_603 lio[17B2] C7652 CAP_P_CASE-C2-SM lio[17B1] C7653 CAP_402 lio[17B3] C7660 CAP_402 lio[17A3] D4600 DIODE_SCHOT_3P_A_SC- lio[8A3] 75 D4610 DIODE_SCHOT_3P_A_SC- lio[8C4] 75 D6900 DIODE_SCHOT_3P_A_SC- lio[16C7] 75 D26700 SUPPR_TRANSIENT1_402 lio[14C5] D26701 SUPPR_TRANSIENT1_402 lio[14C6] D26702 SUPPR_TRANSIENT1_402 lio[14C5] D26703 SUPPR_TRANSIENT1_402 lio[14C5] D26750 SUPPR_TRANSIENT1_402 lio[14A5] D26751 SUPPR_TRANSIENT1_402 lio[14A6] D26752 SUPPR_TRANSIENT1_402 lio[14A5] D26753 SUPPR_TRANSIENT1_402 lio[14A5] F6900 FUSE_1206 lio[16D5] FL3600 FILTER_4P_1210-4SM1 lio[7C3] FL3601 FILTER_4P_1210-4SM1 lio[7B3] J3400 CON_F52RT_D2MT_SM_F- lio[5C5] ST-SM J3500 CON_F26RT_S4MT_SM_M7 lio[6D2] 5_F-RT-SM J3600 CON_M80ST_D4MT_SM_M- lio[7C4] ST-SM J4600 CON_F4RT_USB_S2MT_TH lio[8B2] _F-RT-TH-USB-LFT J4610 CON_F4RT_USB_S2MT_TH lio[8C2] _F-RT-TH-USB-LFT J6700 CON_F8RT_SPDIFTRAN_T lio[14C8] H2_F-RT-TH J6750 CON_F8RT_SPDIFRCVR_T lio[14B8] H2_F-RT-TH J6780 CON_M3ST_S_TH_M-ST-T lio[14D1] H J6781 CON_M3ST_S_TH_M-ST-T lio[14C1] H J6782 CON_M3ST_S_TH_M-ST-T lio[14C1] H J6900 CON_F5RT_S2MT_TH3_F- lio[16D8] RT-TH-MG3 J9615 CON_M8RT_S_SM_M-RT-S lio[18C5] M L3400 FILTER_4P_1210-4SM1 lio[5B2] L4600 FILTER_4P_1210-4SM1 lio[8B4] L4601 IND_0603 lio[8B4] L4610 FILTER_4P_1210-4SM1 lio[8C4] L4611 IND_0603 lio[8D4] L6200 IND_0402 lio[10A6] L6201 IND_0402 lio[10D7] L6202 IND_0402 lio[10D4] L6300 IND_0402 lio[11C6] L6500 IND_0402 lio[12D6] L6501 IND_0402 lio[12C6] L6601 IND_0402 lio[13C7] L6610 IND_0402 lio[13D7] L6620 IND_0402 lio[13C7] L6630 IND_0402 lio[13B7] L6640 IND_0402 lio[13A7] L6700 FILTER_2P_0603 lio[14D4] L6701 IND_0402 lio[14C4] L6702 IND_0402 lio[14C4] L6703 IND_0402 lio[14C4] L6750 IND_0402 lio[14B4] L6751 IND_0402 lio[14B4] L6752 IND_0402 lio[14A4] L6753 IND_0402 lio[14A4] L6754 IND_0402 lio[14A4] L6800 IND_0402 lio[15B2] L6900 FILTER_4P_SM lio[16D6] L6901 IND_SM-1 lio[16D6] L7600 IND_ILP lio[17C2] L7650 IND_ILP lio[17B2] PDS801 PHOTODIODE_2P_TH-WTH lio[9C6] -SPCR Q3450 TRA_SINGLE_MOSFET_PC lio[5C2] HN_SOT-23 Q5801 TRA_2N7002_SOT23-LF lio[9C5] Q6800 TRA_DUAL_SSM6N15FE_S lio[15B6 15C6] OTS63 Q6801 TRA_DUAL_SSM6N15FE_S lio[15C5 15C5] OTS63 Q6802 TRA_SSM3K15FV_SOD-VE lio[15A6] SM Q6803 TRA_DUAL_SSM6N15FE_S lio[15A5 15A5] OTS63 Q6900 TRA_2N7002DW_SOT-363 lio[16C1 16C3] Q6901 TRA_2N7002DW_SOT-363 lio[16C1 16C2] Q6909 TRA_TP0610_SOT23-3 lio[16D2] Q7600 TRA_FDM6296_MICROFET lio[17C3] 3X3 Q7601 TRA_FDM6296_MICROFET lio[17C3] 3X3 Q7610 TRA_IRF7707_TSSOP lio[17A7] Q7650 TRA_FDM6296_MICROFET lio[17B3] 3X3 Q7651 TRA_FDM6296_MICROFET lio[17B3] 3X3 Q7660 TRA_IRF7707_TSSOP lio[17A3] R3450 RES_402 lio[5C2] R3451 RES_402 lio[5C2] R3500 RES_402 lio[6C6] R3561 RES_402 lio[6B3] R5801 RES_402 lio[9C6] R5802 RES_402 lio[9C6] R5803 RES_402 lio[9C5] R5804 RES_402 lio[9C5] R5805 RES_402 lio[9C5] R5806 RES_402 lio[9C4] R5807 RES_402 lio[9C4] R6200 RES_402 lio[10A7] R6201 RES_402 lio[10B6] R6202 RES_402 lio[10A6] R6203 RES_402 lio[10C3] R6204 RES_402 lio[10C7] R6205 RES_402 lio[10B6] R6206 RES_402 lio[10B4] R6207 RES_402 lio[10B3] R6220 RES_402 lio[10A6] R6221 RES_402 lio[10A4] R6222 RES_402 lio[10A4] R6250 RES_402 lio[10B1] R6251 RES_402 lio[10B1] R6300 RES_402 lio[11B3] R6301 RES_402 lio[11B6] R6302 RES_402 lio[11C5] R6303 RES_402 lio[11B5] R6310 RES_402 lio[11C4] R6311 RES_402 lio[11C4] R6312 RES_402 lio[11C4] R6313 RES_402 lio[11C4] R6320 RES_402 lio[11B4] R6321 RES_402 lio[11B4] R6322 RES_402 lio[11B4] R6323 RES_402 lio[11B4] R6500 RES_402 lio[12C5] R6510 RES_402 lio[12B5] R6511 RES_402 lio[12B4] R6512 RES_402 lio[12B4] R6513 RES_603 lio[12D3] R6514 RES_402 lio[12C3] R6520 RES_402 lio[12A5] R6521 RES_402 lio[12A4] R6522 RES_402 lio[12A4] R6523 RES_603 lio[12C2] R6524 RES_402 lio[12C3] R6600 RES_402 lio[13D7] R6601 RES_402 lio[13C7] R6605 RES_402 lio[13C4] R6606 RES_402 lio[13B4] R6607 RES_402 lio[13B4] R6610 RES_402 lio[13D2] R6611 RES_402 lio[13D2] R6620 RES_402 lio[13C2] R6621 RES_402 lio[13C2] R6630 RES_402 lio[13B2] R6631 RES_402 lio[13B2] R6640 RES_402 lio[13B2] R6641 RES_402 lio[13B2] R6700 RES_603 lio[14D6] R6701 RES_402 lio[14C6] R6702 RES_402 lio[14C6] R6703 RES_402 lio[14C6] R6704 RES_402 lio[14C6] R6710 RES_402 lio[14C4] R6750 RES_402 lio[14B6] R6751 RES_402 lio[14B6] R6752 RES_402 lio[14B6] R6753 RES_402 lio[14A6] R6754 RES_402 lio[14A6] R6755 RES_402 lio[14B7] R6780 RES_402 lio[14C2] R6781 RES_402 lio[14C1] R6790 RES_402 lio[14A2] R6801 RES_402 lio[15C7] R6802 RES_402 lio[15C7] R6803 RES_402 lio[15B7] R6805 RES_402 lio[15C5] R6806 RES_402 lio[15C5] R6811 RES_402 lio[15A7] R6812 RES_402 lio[15A7] R6813 RES_402 lio[15A6] R6814 RES_402 lio[15A5] R6815 RES_402 lio[15A5] R6850 RES_402 lio[15D3] R6852 RES_402 lio[15C3] R6853 RES_402 lio[15C3] R6854 RES_402 lio[15C3] R6855 RES_402 lio[15D3] R6861 RES_402 lio[15B7] R6900 RES_402 lio[16C2] R6901 RES_402 lio[16D2] R6902 RES_402 lio[16D5] R6904 RES_402 lio[16C6] R6905 RES_402 lio[16D3] R6909 RES_402 lio[16D1] R6910 RES_402 lio[16D1] R6911 RES_402 lio[16C2] R6990 RES_402 lio[16C5] R6991 RES_402 lio[16C4] R6992 RES_402 lio[16B1] R7610 RES_402 lio[17A8] R7620 RES_402 lio[17C5] R7621 RES_402 lio[17C6] R7622 RES_402 lio[17C7] R7625 RES_402 lio[17C6] R7660 RES_402 lio[17A4] SL0800 SLOT_TH lio[4A8] U3500 PWR_CNTRL_TPS2231_QF lio[6C5] N U3551 MC74VHC1G00_SCT0-5 lio[6A6] U3560 MC74VHC1G00_SCT0-5 lio[6B2] U3561 SN74LVC1G04_BGA lio[6A3] U4600 SWI_TPS2042B_MSOP lio[8B6] U5801 OPAMP_MAX4236EUTT_SO lio[9C5] TP3-6-LF U5802 TMP106_WCSP-6 lio[9B5] U6200 AUDIO_ALC885B2_LQFP lio[10C5] U6201 LREG_MAX1819_UCSP lio[10A5] U6300 OPAMP_MAX4253_UMAX lio[11B4 11C4] U6500 MAX9724A_TQFN lio[12D4] U6610 MAX9705_TDFN1 lio[13D5] U6620 MAX9705_TDFN1 lio[13C5] U6630 MAX9705_TDFN1 lio[13B5] U6640 MAX9705_TDFN1 lio[13A5] U6990 COMPARTATOR_LM397_SOT lio[16C4] 23-5 U7600 TPSS1120_LLP lio[17C6] XW4600 SHORT_SM lio[8A4] XW4601 SHORT_SM lio[8A4] XW4610 SHORT_SM lio[8C4] XW4611 SHORT_SM lio[8C4] XW6500 SHORT_SM lio[12C6] XW6501 SHORT_SM lio[12C5] XW6710 SHORT_SM lio[14B2] XW6711 SHORT_SM lio[14B2] XW6712 SHORT_SM lio[14B2] XW6800 SHORT_SM lio[15C3] XW7600 SHORT_SM lio[17A4] XW7601 SHORT_SM lio[17A7] XW7602 SHORT_SM lio[17A7] XW7603 SHORT_LAYER_2_SHORT_ lio[17A7] L2_SM XW7604 SHORT_LAYER_9_SHORT_ lio[17A7] L9-SM	XW7605 SHORT_LAYER_2_SHORT_ lio[17A7] L2_SM XW7606 SHORT_LAYER_9_SHORT_ lio[17A7] L9-SM XW7607 SHORT_LAYER_2_SHORT_ lio[17A7] L2_SM XW7608 SHORT_LAYER_2_SHORT_ lio[17A7] L2_SM XW7609 SHORT_LAYER_2_SHORT_ lio[17A7] L2_SM XW7610 SHORT_LAYER_2_SHORT_ lio[17A7] L2_SM XW7611 SHORT_SM lio[17A5] XW7612 SHORT_SM lio[17A5] ZH0801 MTHOLE lio[4A8] ZH0802 MTHOLE lio[4A8] ZH0803 MTHOLE lio[4A8] ZH0804 MTHOLE lio[4A8]				