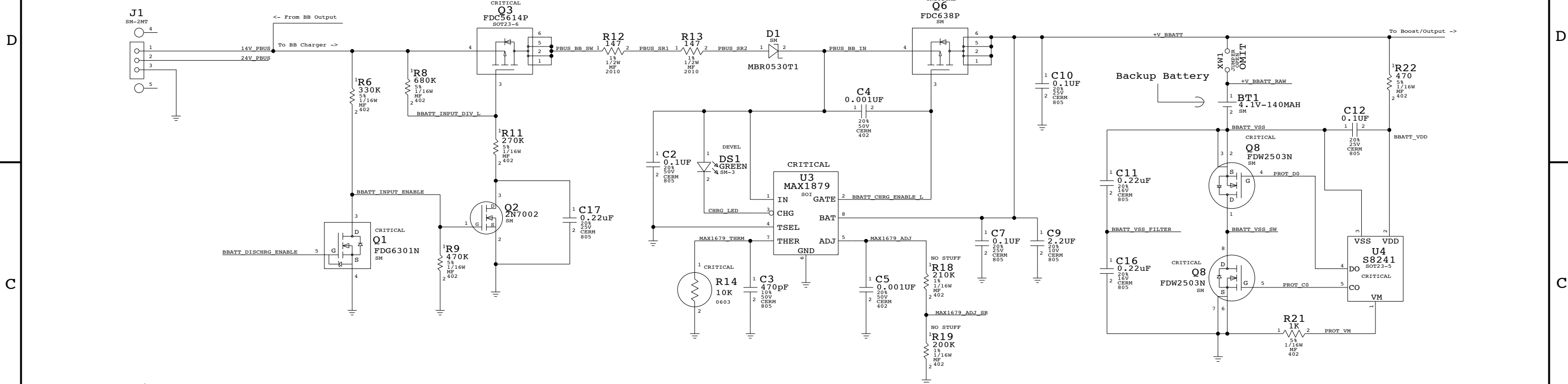


1. ALL RESISTANCE VALUES ARE IN OHMS, 0.1 WATT +/- 5%.
2. ALL CAPACITANCE VALUES ARE IN MICROFARADS.
3. ALL CRYSTALS & OSCILLATOR VALUES ARE IN HERTZ.

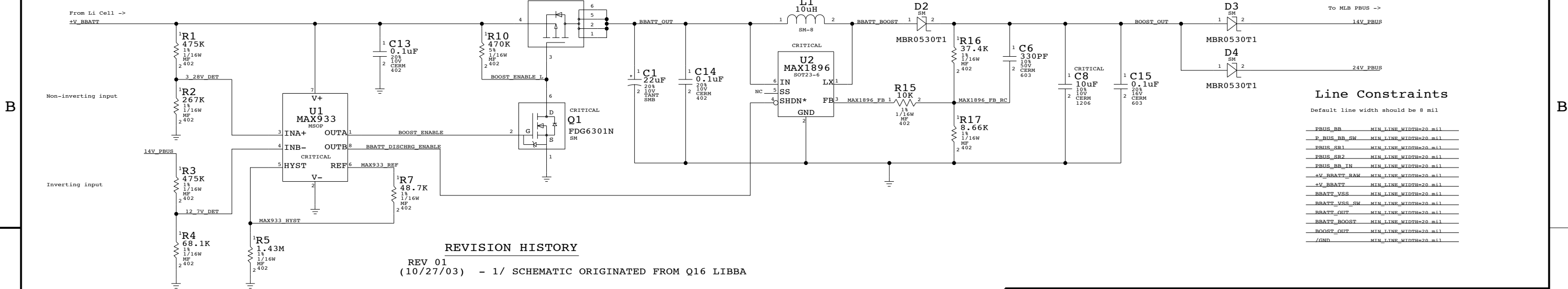
SCHEM, ENZO, Q16A

Mon Oct 27 19:36:01 2003

DRAWING	REV	ZONE	ECN	DESCRIPTION OF CHANGE	CK APPD	ENG APPD
					DATE	DATE
	02		262664	ENGINEERING RELEASED		02/19/03 ?



$I(REF) = 1.182V / (R7 + R5) = 0.799\mu A$
 Hysteresis band voltage (VHB) = $2 * I(REF) * R7 = 77.9mV$
 Both inputs are compared to REF - Hysteresis voltage (1.182V +/- 0.5 * VHB)



Line Constraints

Default line width should be 8 mil

BPBUS_BB	MIN_LINE_WIDTH=20 mil
P_BBUS_BB_SW	MIN_LINE_WIDTH=20 mil
BPBUS_SR1	MIN_LINE_WIDTH=20 mil
BPBUS_SR2	MIN_LINE_WIDTH=20 mil
BPBUS_BB_IN	MIN_LINE_WIDTH=20 mil
+V_BBATT	MIN_LINE_WIDTH=20 mil
BBATT_VSS	MIN_LINE_WIDTH=20 mil
BBATT_VSS_SW	MIN_LINE_WIDTH=20 mil
BBATT_OUT	MIN_LINE_WIDTH=20 mil
BBATT_BOOST	MIN_LINE_WIDTH=20 mil
BOOST_OUT	MIN_LINE_WIDTH=20 mil
/GND	MIN_LINE_WIDTH=20 mil

REVISION HISTORY
 REV 01 (10/27/03) - 1/ SCHEMATIC ORIGINATED FROM Q16 LIBBA

PART#	QTY	DESCRIPTION	REFERENCE DESIGNATOR(S)	BOM OPTION
051-6573	1	SCHEM, ENZO, Q16A	SCH1	
820-1603	1	PCBF, ENZO, Q16A	PCB1	

DIMENSIONS ARE IN MILLIMETERS		METRIC		Apple Computer Inc.	
XX :	_____	DRAPPER	DESIGN CK	NOTICE OF PROPRIETARY PROPERTY THE INFORMATION CONTAINED HEREIN IS THE PROPRIETARY PROPERTY OF APPLE COMPUTER, INC. THE POSSESSOR AGREES TO THE FOLLOWING: I TO MAINTAIN THE DOCUMENT IN CONFIDENCE II NOT TO REPRODUCE OR COPY IT III NOT TO REVEAL OR PUBLISH IN WHOLE OR PART	
X.XX :	_____	ENG APPD	MFG APPD		
X.XXX :	_____	QA APPD	DESIGNER		
ANGLES :	_____	RELEASE	SCALE		
DO NOT SCALE DRAWING		NONE		TITLE	
 THIRD ANGLE PROJECTION		MATERIAL/FINISH NOTED AS APPLICABLE		SCHEM, ENZO, Q16A DRAWING NUMBER: 051-6573 REV. 01 SHT 1 OF 1	