

- 1. ALL RESISTANCE VALUES ARE IN OHMS, 0.1 WATT +/- 5%.
- 2. ALL CAPACITANCE VALUES ARE IN MICROFARADS.
- 3. ALL CRYSTALS & OSCILLATOR VALUES ARE IN HERTZ.

REV	ZONE	ECN	DESCRIPTION OF CHANGE	CK APPD	ENG APPD
				DATE	DATE
		454815	DVT RELEASE	?	?

SCHEM, YUBA (5V), M57

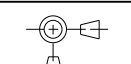

DVT

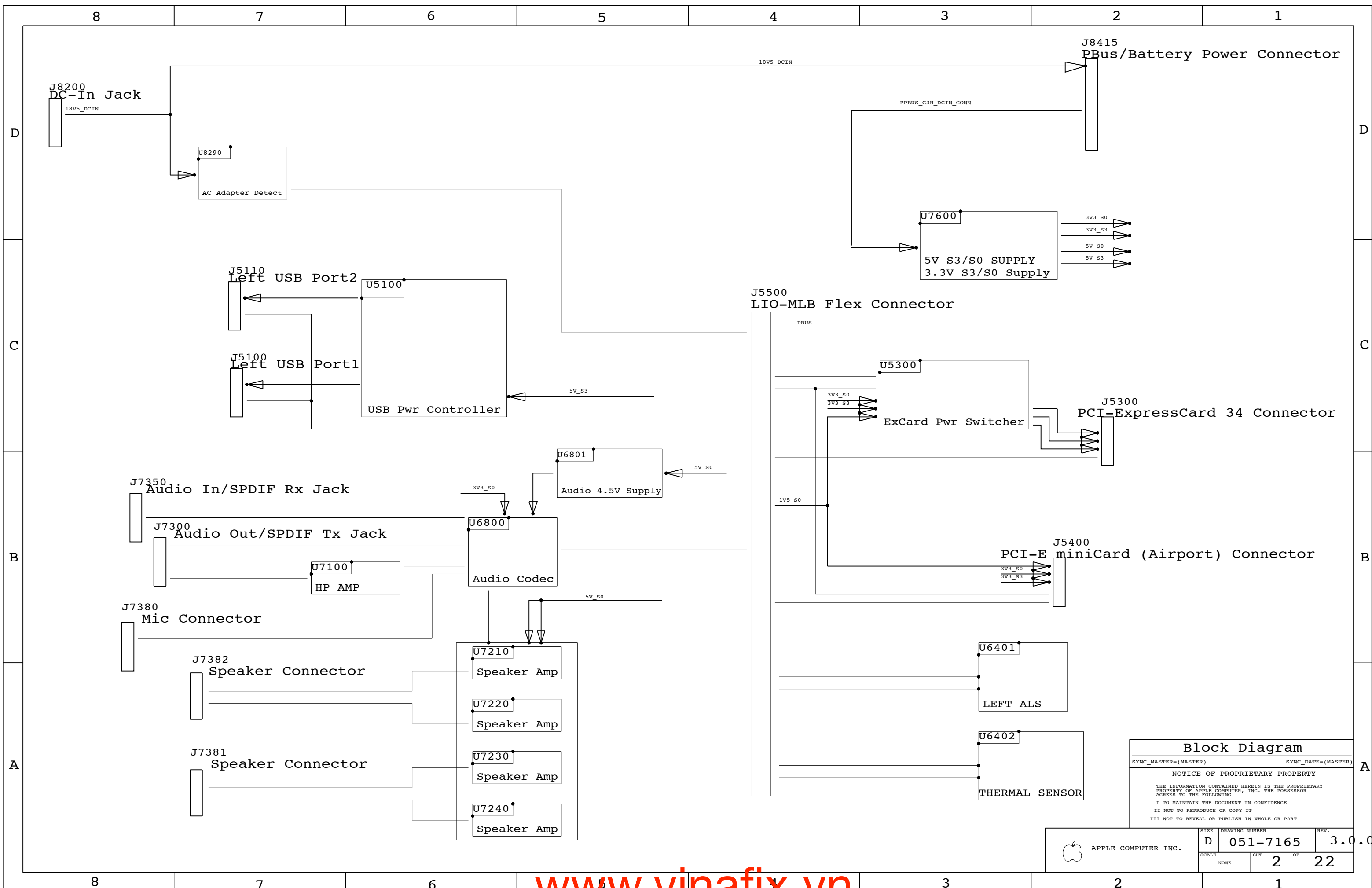
08/11/06

PDF PAGE	CSA PAGE	CONTENTS	SYNC MASTER	DATE
1	1	Table of Contents	N/A	N/A
2	2	Block Diagram	(MASTER)	(MASTER)
3	4	BOM CONFIGURATION	(MASTER)	(MASTER)
4	6	Aliases	(MASTER)	(MASTER)
5	51	Left USB Port	(MASTER)	(MASTER)
6	53	ExpressCard Connector	M59_LIO	07/31/2006
7	54	PCI-E MiniCard Connector	M59_LIO	07/31/2006
8	55	MLB I/O Board Connector	(MASTER)	(MASTER)
9	64	Left ALS	(MASTER)	(MASTER)
10	68	AUDIO: CODEC	LENGO_M57_AUDIO	07/31/2006
11	70	AUDIO: LINE IN	LENGO_M57_AUDIO	07/31/2006
12	71	AUDIO: HEADPHONE AMP	LENGO_M57_AUDIO	07/31/2006
13	72	AUDIO: SPEAKER AMP	LENGO_M57_AUDIO	07/31/2006
14	73	AUDIO: JACKS	LENGO_M57_AUDIO	07/31/2006
15	74	AUDIO: JACK TRANSLATORS	LENGO_M57_AUDIO	07/31/2006
16	76	5V/3.3V SUPPLY	<MASTER>	<MASTER>
17	82	DC-In & Battery Connectors	(MASTER)	(MASTER)
18	84	LEFT I/O POWER CONNECTOR	(MASTER)	(MASTER)
19	100	HISTORY: NON-AUDIO	(MASTER)	(MASTER)
20	101		LENGO_M57_AUDIO	07/31/2006
21	102	Cross Reference Page		
22	103	Cross Reference Page		

ALIASES RESOLVED

PART#	QTY	DESCRIPTION	REFERENCE DESIGNATOR(S)	BOM OPTION
051-7165	1	SCHEM, YUBA, M57	SCH1	
820-2060	1	PCBF, YUBA, M57	PCB1	

DIMENSIONS ARE IN MILLIMETERS XX : _____ X.XX : _____ X.XXX : _____ ANGLES : _____ DO NOT SCALE DRAWING  THIRD ANGLE PROJECTION	METRIC		 Apple Computer Inc. NOTICE OF PROPRIETARY PROPERTY THE INFORMATION CONTAINED HEREIN IS THE PROPRIETARY PROPERTY OF APPLE COMPUTER, INC. THE POSSESSOR AGREES TO THE FOLLOWING I TO MAINTAIN THE DOCUMENT IN CONFIDENCE II NOT TO REPRODUCE OR COPY IT III NOT TO REVEAL OR PUBLISH IN WHOLE OR PART	
	DRAPFER	DESIGN CK		TITLE
	ENG APPD	MFG APPD		SCHEM, YUBA, M57
	QA APPD	DESIGNER		DRAWING NUMBER
RELEASE	SCALE	SIZE	REV	
	NONE	D	3.0.0	
	MATERIAL/FINISH NOTED AS APPLICABLE		SHT 1 OF 22	



Block Diagram

SYNC_MASTER=(MASTER) SYNC_DATE=(MASTER)

NOTICE OF PROPRIETARY PROPERTY

THE INFORMATION CONTAINED HEREIN IS THE PROPRIETARY PROPERTY OF APPLE COMPUTER, INC. THE POSSESSOR AGREES TO THE FOLLOWING

I TO MAINTAIN THE DOCUMENT IN CONFIDENCE

II NOT TO REPRODUCE OR COPY IT

III NOT TO REVEAL OR PUBLISH IN WHOLE OR PART

APPLE COMPUTER INC.	SIZE	DRAWING NUMBER	REV.
	D	051-7165	3.0.0
SCALE	SHT	OF	
NONE	2	22	

8 7 6 5 4 3 2 1

BOM NUMBER	BOM NAME	BOM OPTIONS
630-7707	PCBA, YUBA, M57	COMMON, ALTERNATE

BAR CODE LABEL / EEE#'S

PART NUMBER	QTY	DESCRIPTION	REFERENCE DES	CRITICAL	BOM OPTION
000-0041	1	PLACEHOLDER FOR EEE/CCC INFO	[EEE:W3B]	CRITICAL	

PART#	QTY	DESCRIPTION	REFERENCE DESIGNATOR(S)	CRITICAL	BOM OPTION
815-8851	1	ALS SPACER, M9	SP6401	CRITICAL	

D

D

C

C

B

B

A

A

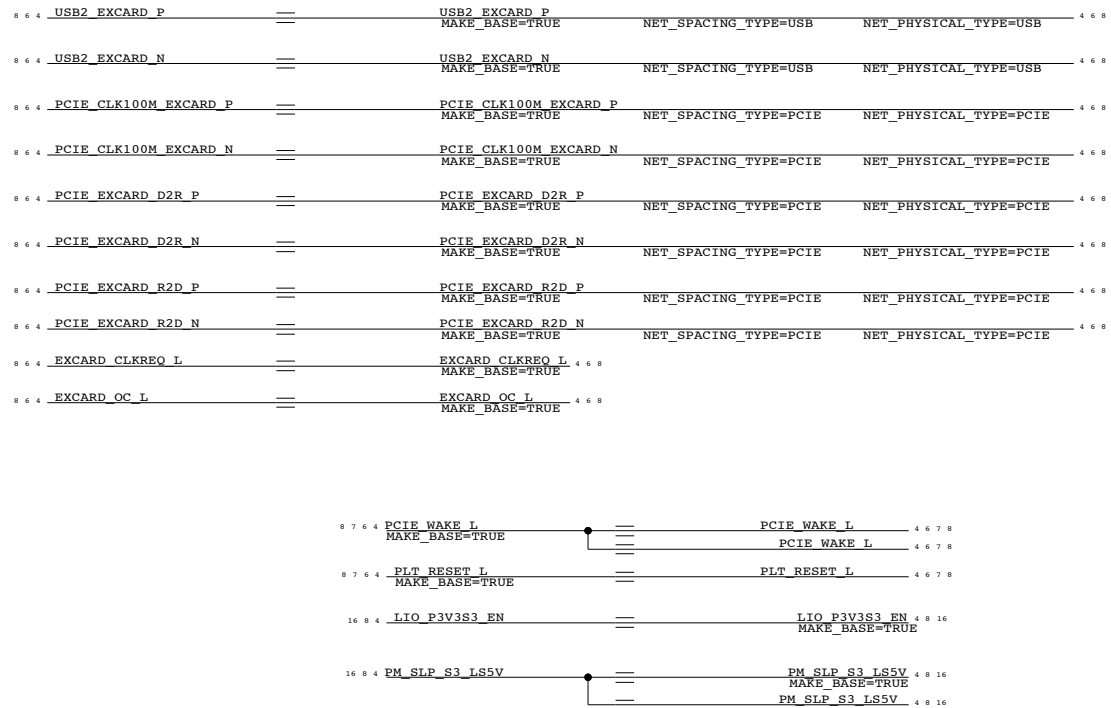
BOM CONFIGURATION
 SYNC_MASTER=(MASTER) SYNC_DATE=(MASTER)
NOTICE OF PROPRIETARY PROPERTY
 THE INFORMATION CONTAINED HEREIN IS THE PROPRIETARY PROPERTY OF APPLE COMPUTER, INC. THE POSSESSOR AGREES TO THE FOLLOWING
 I TO MAINTAIN THE DOCUMENT IN CONFIDENCE
 II NOT TO REPRODUCE OR COPY IT
 III NOT TO REVEAL OR PUBLISH IN WHOLE OR PART

APPLE COMPUTER INC.	SIZE	DRAWING NUMBER	REV.
	D	051-7165	3.0.0
	SCALE	SHT	OF
	NONE	3	22

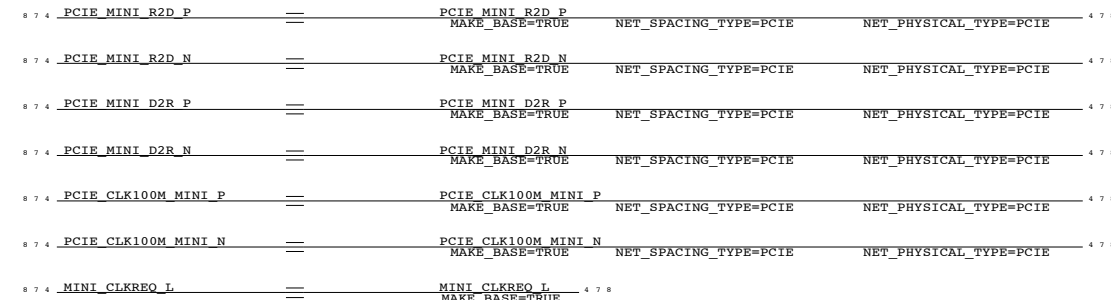
8 7 6 5 4 3 2 1

POWER & GROUNDS

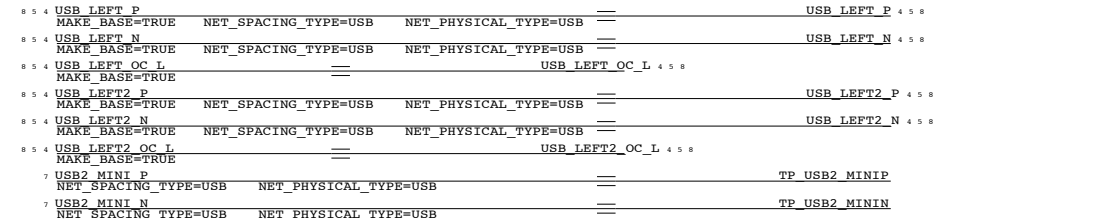
PCI-E EXPRESS CARD 34



PCI-E MINICARD



USB



SMBUS



Aliases

SYNC_MASTER=(MASTER) SYNC_DATE=(MASTER)

NOTICE OF PROPRIETARY PROPERTY

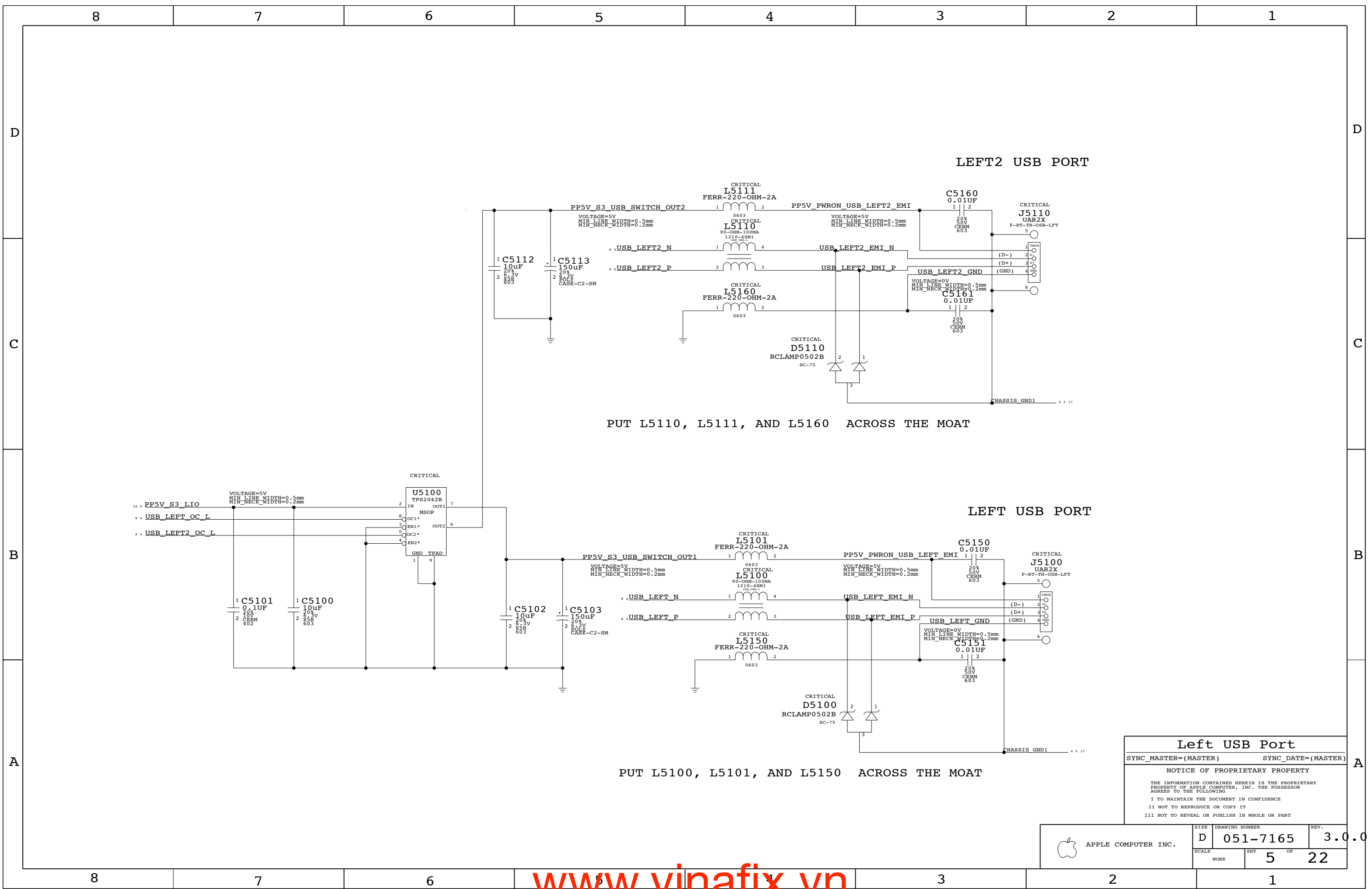
THE INFORMATION CONTAINED HEREIN IS THE PROPRIETARY PROPERTY OF APPLE COMPUTER, INC. THE POSSESSOR AGREES TO THE FOLLOWING

I TO MAINTAIN THE DOCUMENT IN CONFIDENCE

II NOT TO REPRODUCE OR COPY IT

III NOT TO REVEAL OR PUBLISH IN WHOLE OR PART

APPLE COMPUTER INC.	SIZE	DRAWING NUMBER	REV.
	D	051-7165	3.0.0
SCALE	NONE	SHT	OF
		4	22



LEFT2 USB PORT

PUT L5110, L5111, AND L5160 ACROSS THE MOAT

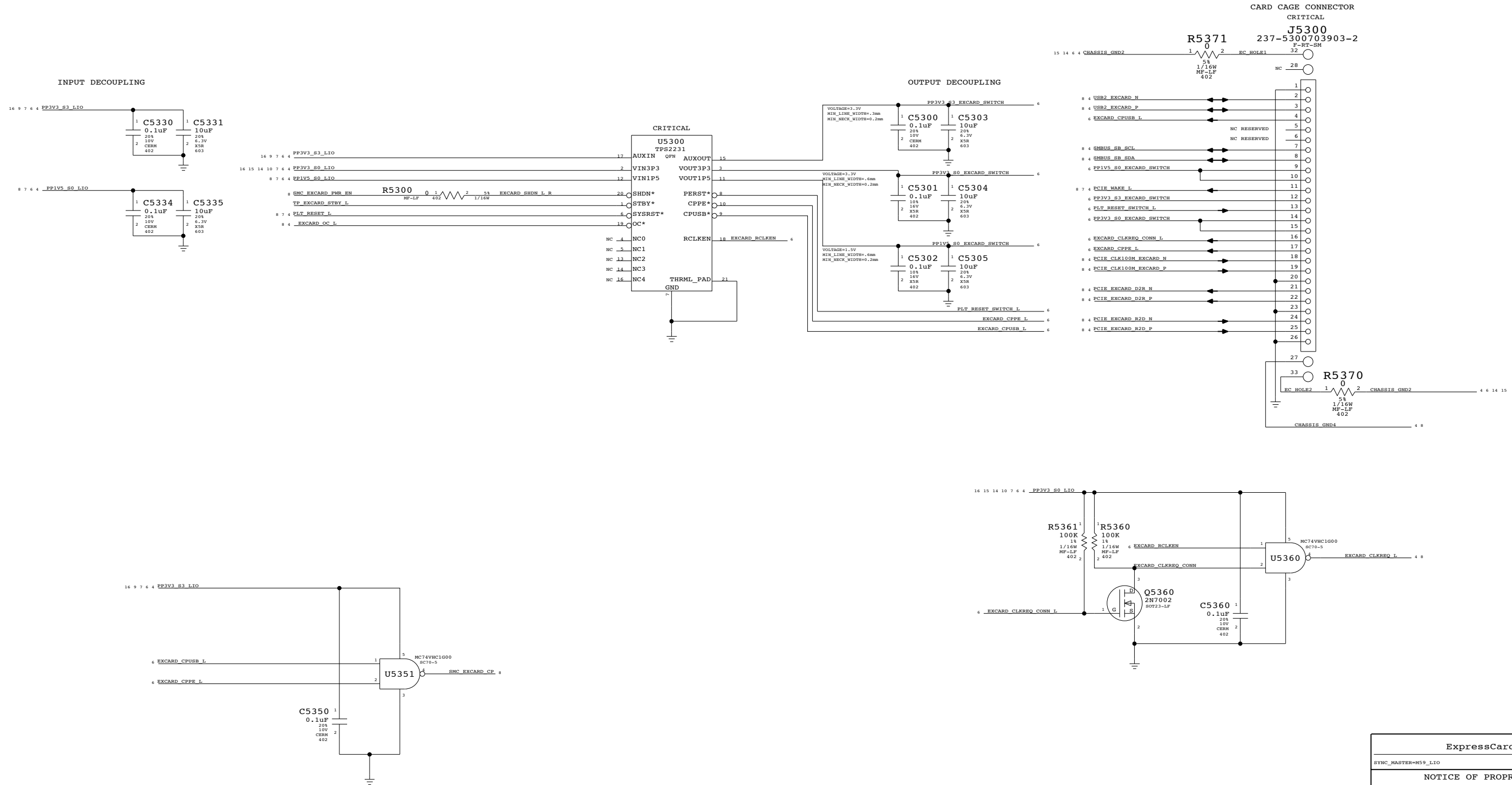
LEFT USB PORT

PUT L5100, L5101, AND L5150 ACROSS THE MOAT

Left USB Port
 SYNC_MASTER=(MASTER) SYNC_DATE=(MASTER)
 NOTICE OF PROPRIETARY PROPERTY
 THE INFORMATION CONTAINED HEREIN IS THE PROPRIETARY PROPERTY OF APPLE COMPUTER, INC. THE POSSESSOR AGREES TO THE FOLLOWING
 I TO MAINTAIN THE DOCUMENT IN CONFIDENCE
 II NOT TO REPRODUCE OR COPY IT
 III NOT TO REVEAL OR PUBLISH IN WHOLE OR PART

APPLE COMPUTER INC.	SIZE	DRAWING NUMBER	REV.
	D	051-7165	3.0.0
SCALE	NONE	SHT	OF
		5	22

EXPRESSCARD/34 TOP MOUNT CONNECTOR



ExpressCard Connector

SYNC_MASTER=M59_L10 SYNC_DATE=07/31/2006

NOTICE OF PROPRIETARY PROPERTY

THE INFORMATION CONTAINED HEREIN IS THE PROPRIETARY PROPERTY OF APPLE COMPUTER, INC. THE POSSESSOR AGREES TO THE FOLLOWING

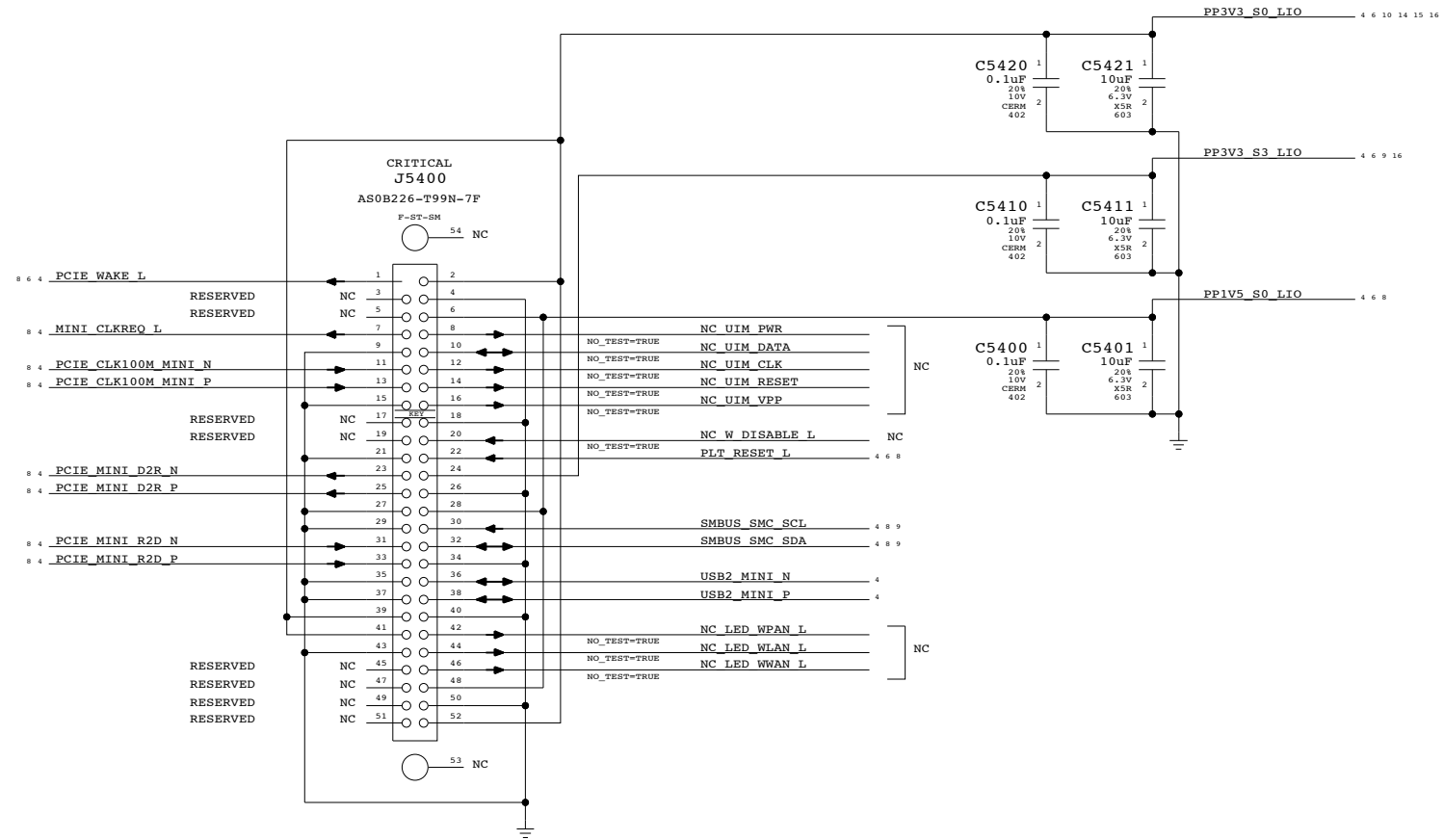
I TO MAINTAIN THE DOCUMENT IN CONFIDENCE

II NOT TO REPRODUCE OR COPY IT

III NOT TO REVEAL OR PUBLISH IN WHOLE OR PART

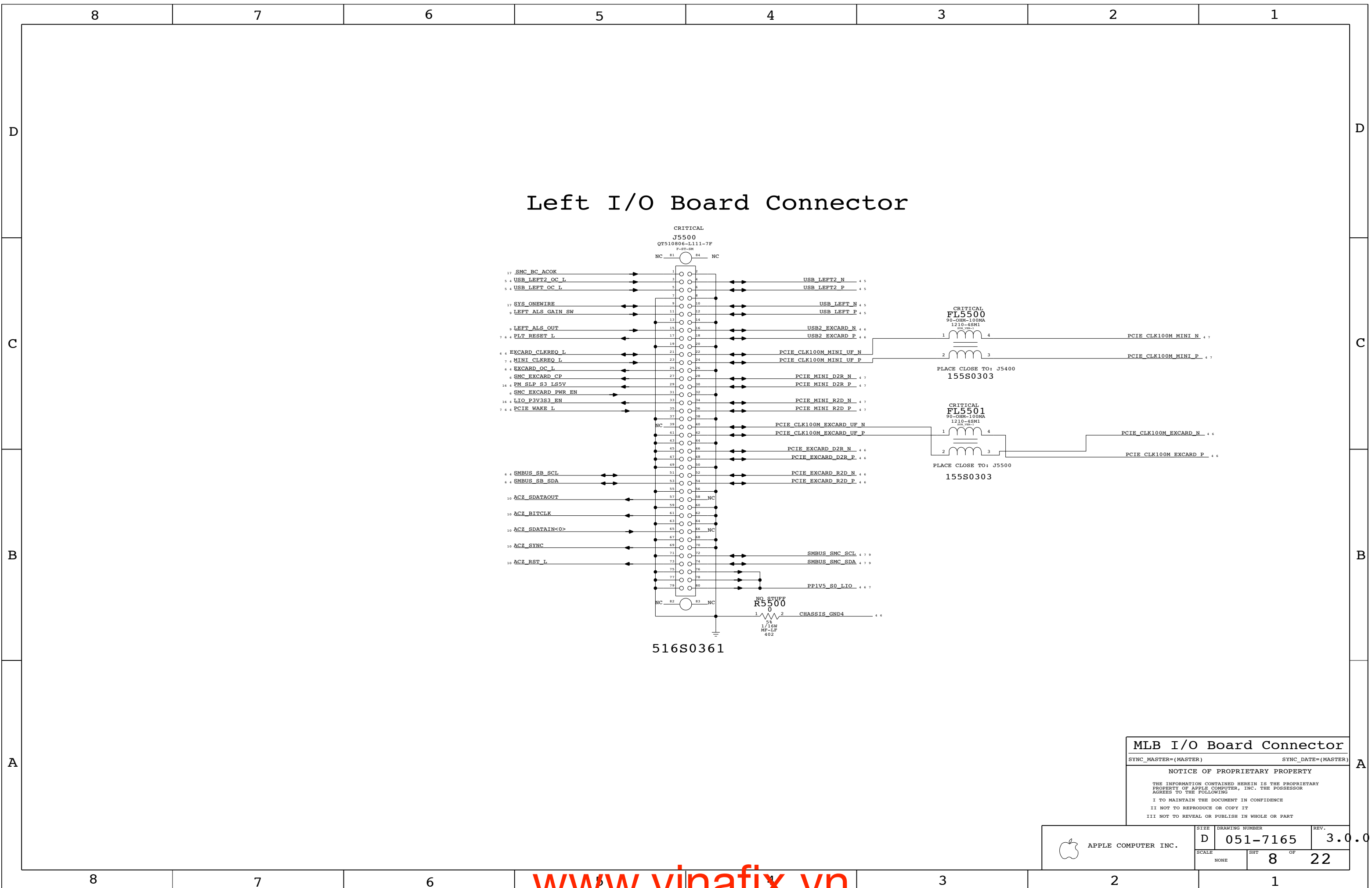
APPLE COMPUTER INC.	SIZE	DRAWING NUMBER	REV.
	D	051-7165	3.0.0
SCALE	SHT	OF	
NONE	6	22	

PCI-EXPRESS MINI CARD CONNECTOR



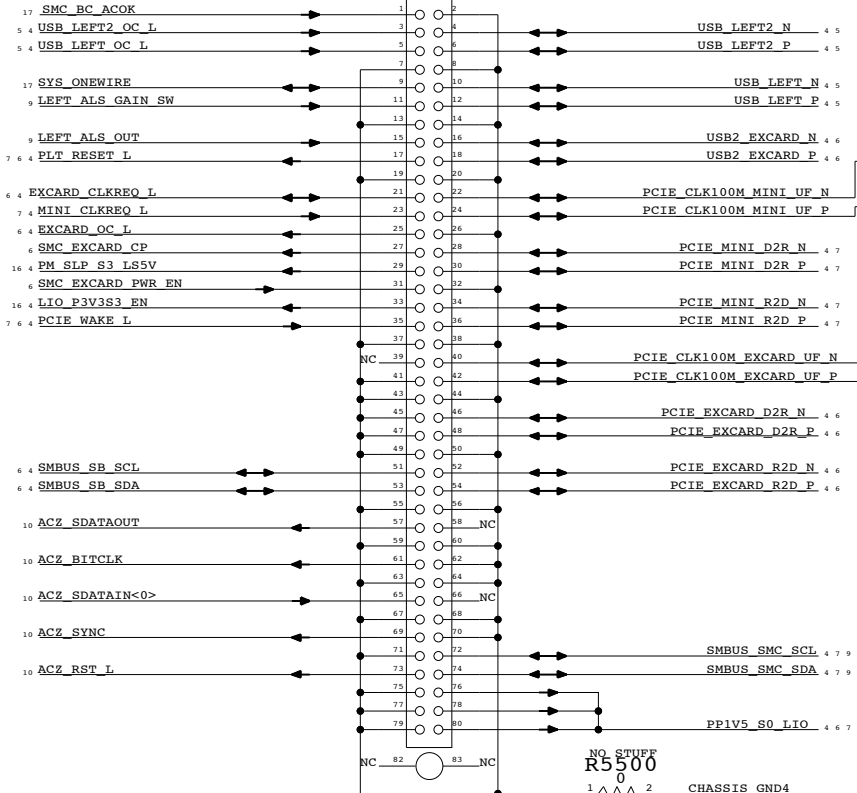
PCI-E MiniCard Connector
 SYNC_MASTER=M59_LIO SYNC_DATE=07/31/2006
NOTICE OF PROPRIETARY PROPERTY
 THE INFORMATION CONTAINED HEREIN IS THE PROPRIETARY PROPERTY OF APPLE COMPUTER, INC. THE POSSESSOR AGREES TO THE FOLLOWING
 I TO MAINTAIN THE DOCUMENT IN CONFIDENCE
 II NOT TO REPRODUCE OR COPY IT
 III NOT TO REVEAL OR PUBLISH IN WHOLE OR PART

APPLE COMPUTER INC.	SIZE	DRAWING NUMBER	REV.
	D	051-7165	3.0.0
SCALE	SHT 7 OF 22		
NONE			



Left I/O Board Connector

CRITICAL
J5500
 QT510806-L111-7F
 F-ST-SH
 NC 81 84 NC



CRITICAL
FL5500
 90-OHM-100MA
 1210-4SM1
 252-VIS-1
 1 4
 2 3
 PLACE CLOSE TO: J5400
155S0303

CRITICAL
FL5501
 90-OHM-100MA
 1210-4SM1
 252-VIS-1
 1 4
 2 3
 PLACE CLOSE TO: J5500
155S0303

NO STUFF
R5500
 0
 58
 1/16W
 HF-LF
 402

516S0361

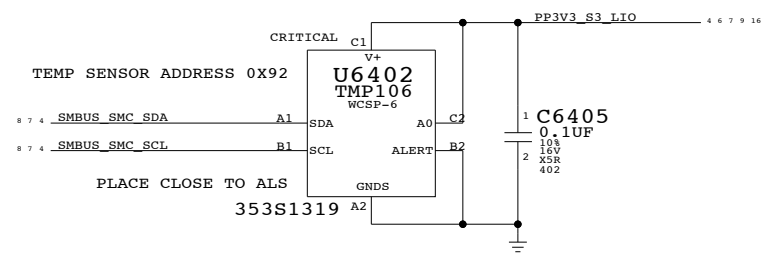
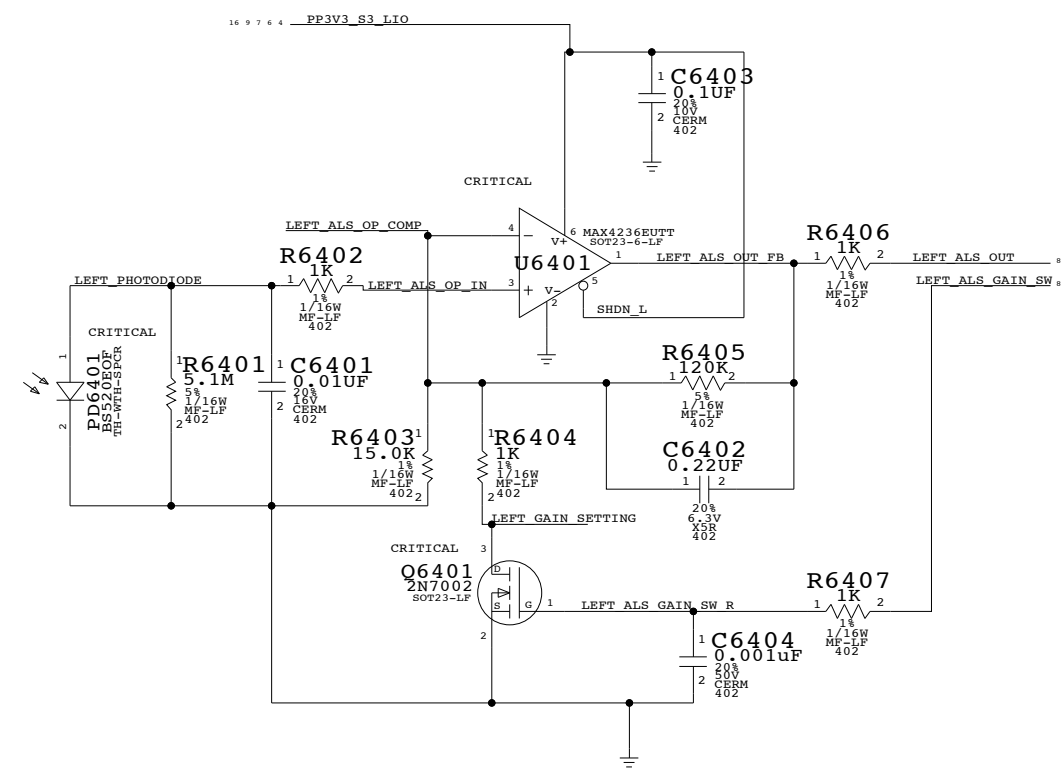
MLB I/O Board Connector

SYNC_MASTER=(MASTER) SYNC_DATE=(MASTER)

NOTICE OF PROPRIETARY PROPERTY

THE INFORMATION CONTAINED HEREIN IS THE PROPRIETARY PROPERTY OF APPLE COMPUTER, INC. THE POSSESSOR AGREES TO THE FOLLOWING
 I TO MAINTAIN THE DOCUMENT IN CONFIDENCE
 II NOT TO REPRODUCE OR COPY IT
 III NOT TO REVEAL OR PUBLISH IN WHOLE OR PART

APPLE COMPUTER INC.	SIZE	DRAWING NUMBER	REV.
	D	051-7165	3.0.0
SCALE	SHT	OF	
NONE	8	22	



Left ALS

SYNC_MASTER=(MASTER) SYNC_DATE=(MASTER)

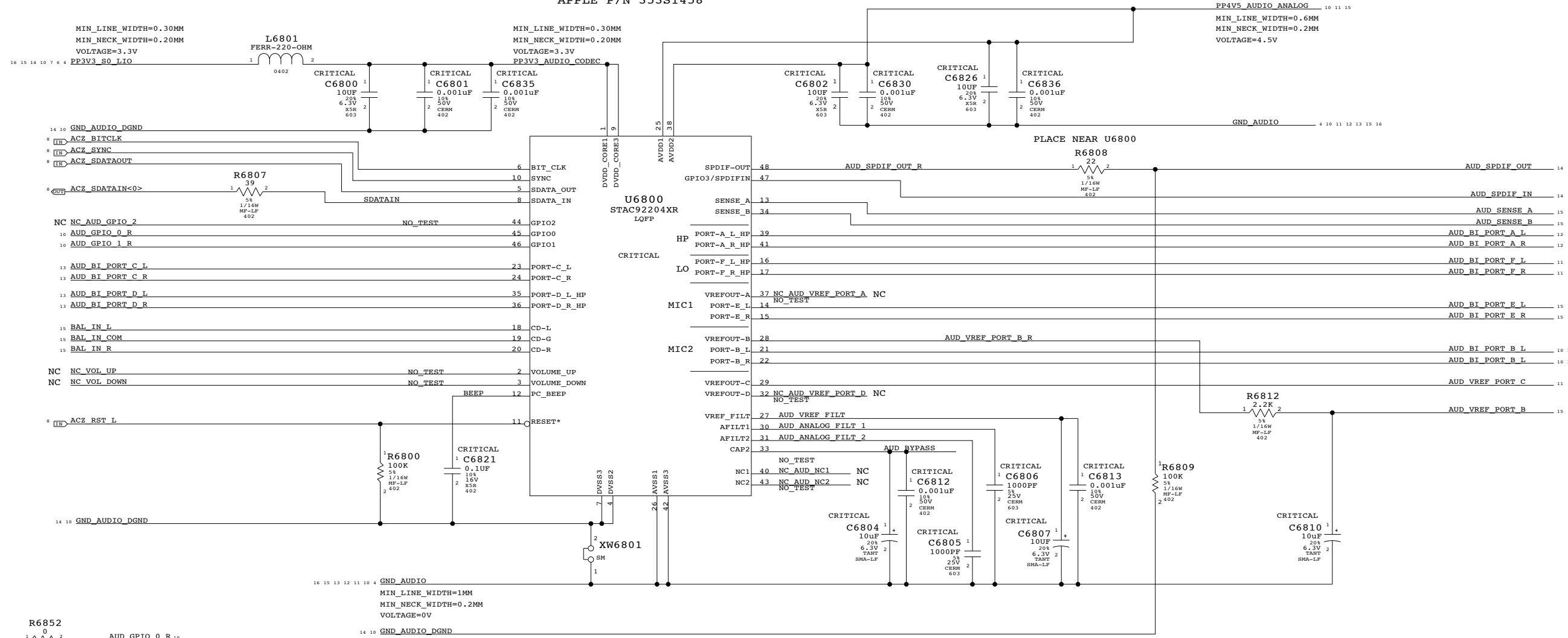
NOTICE OF PROPRIETARY PROPERTY

THE INFORMATION CONTAINED HEREIN IS THE PROPRIETARY PROPERTY OF APPLE COMPUTER, INC. THE POSSESSOR AGREES TO THE FOLLOWING

I TO MAINTAIN THE DOCUMENT IN CONFIDENCE
 II NOT TO REPRODUCE OR COPY IT
 III NOT TO REVEAL OR PUBLISH IN WHOLE OR PART

APPLE COMPUTER INC.	SIZE	DRAWING NUMBER	REV.
	D	051-7165	3.0.0
SCALE	SHT	OF	
NONE	9	22	

AUDIO CODEC
APPLE P/N 353S1458

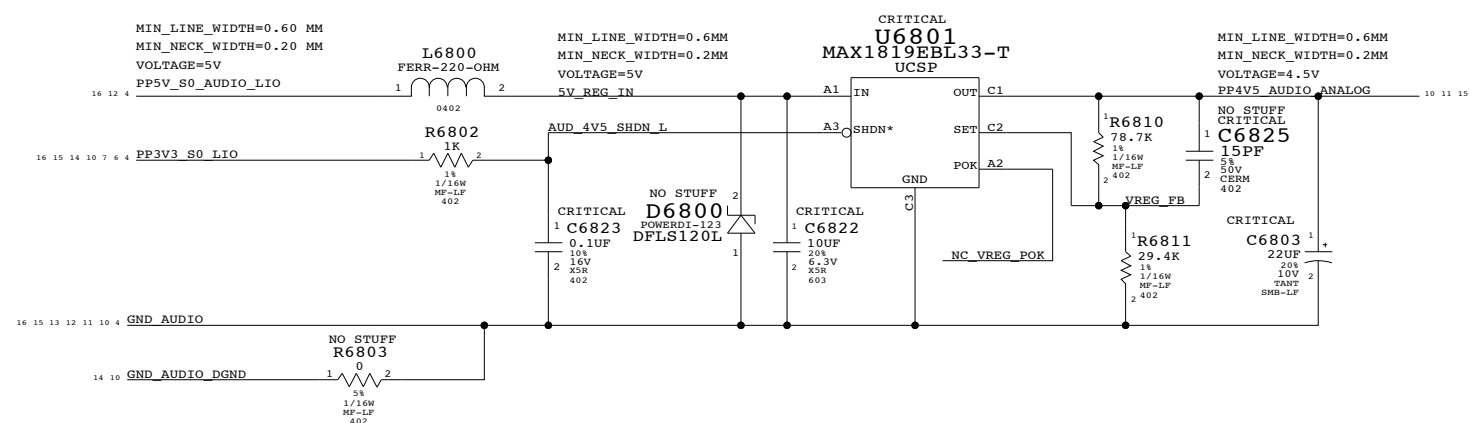
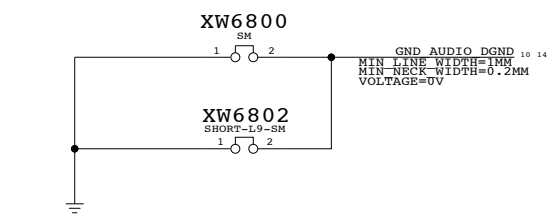


PART NUMBER	ALTERNATE FOR PART NUMBER	BOM OPTION	REF DES	COMMENTS:
353S1345	353S1458		U6800	DC OFFSET SCREENED

4.5V POWER SUPPLY FOR CODEC

APN: 353S1455

AUDIO DIGITAL GROUND ISOLATION



AUDIO: CODEC
 SYNC_MASTER=LENGO_M57_AUDIO SYNC_DATE=07/31/2006
NOTICE OF PROPRIETARY PROPERTY
 THE INFORMATION CONTAINED HEREIN IS THE PROPRIETARY PROPERTY OF APPLE COMPUTER, INC. THE POSSESSOR AGREES TO THE FOLLOWING:
 I TO MAINTAIN THE DOCUMENT IN CONFIDENCE
 II NOT TO REPRODUCE OR COPY IT
 III NOT TO REVEAL OR PUBLISH IN WHOLE OR PART

APPLE COMPUTER INC.	SIZE	DRAWING NUMBER	REV.
	D	051-7165	3.0.0
SCALE	SHT	OF	
NONE	10	22	

8

7

6

5

4

3

2

1

D

D

C

C

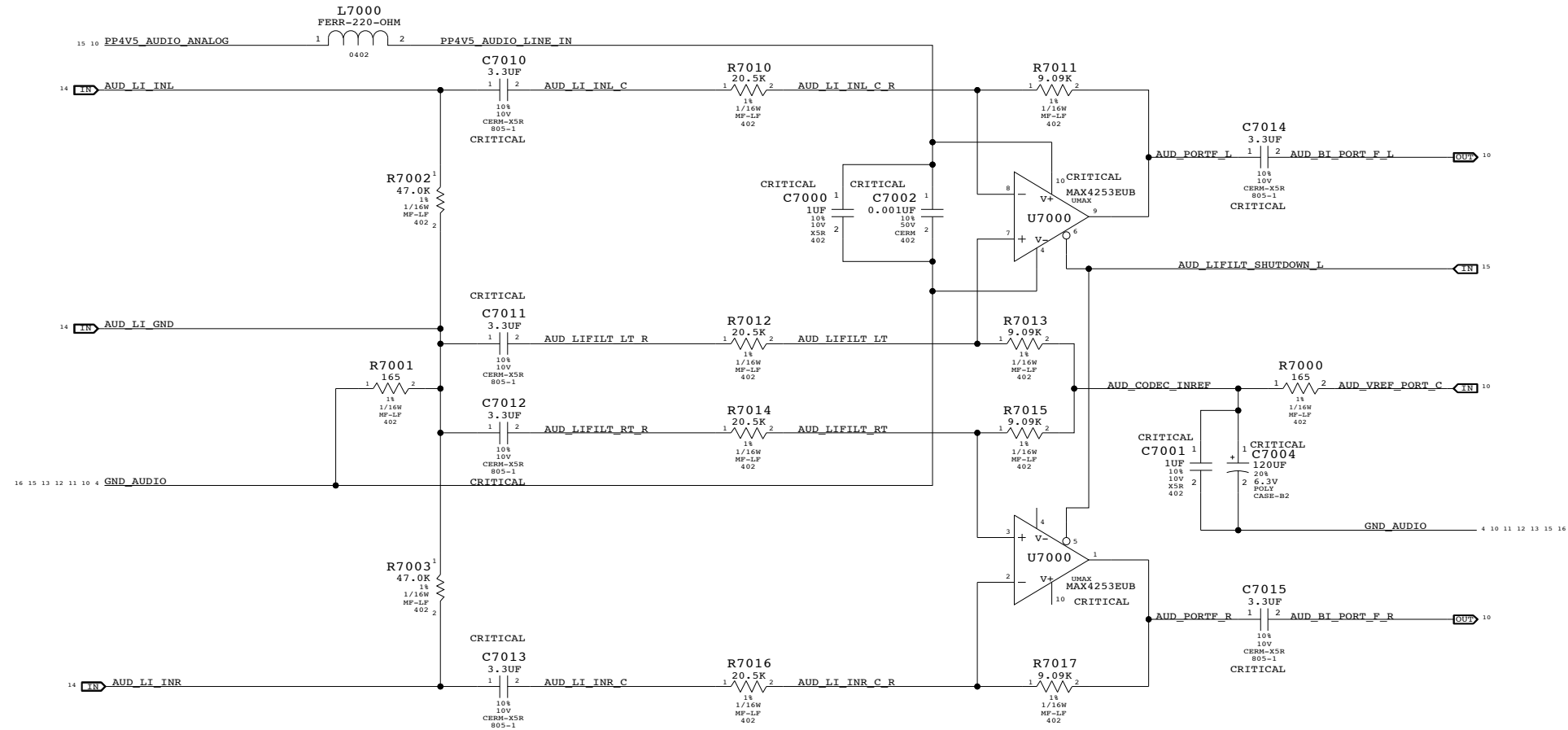
B

B

A

A

Pseudo-Diff Line-In Filter
 GAIN = -7.1DB AV = 0.44
 FC = 2.4 HZ



AUDIO: LINE IN
 SYNC_MASTER=LENGO_M57_AUDIO SYNC_DATE=07/31/2006
NOTICE OF PROPRIETARY PROPERTY
 THE INFORMATION CONTAINED HEREIN IS THE PROPRIETARY PROPERTY OF APPLE COMPUTER, INC. THE POSSESSOR AGREES TO THE FOLLOWING
 I TO MAINTAIN THE DOCUMENT IN CONFIDENCE
 II NOT TO REPRODUCE OR COPY IT
 III NOT TO REVEAL OR PUBLISH IN WHOLE OR PART

APPLE COMPUTER INC.	SIZE	DRAWING NUMBER	REV.
	D	051-7165	3.0.0
SCALE	SHT	OF	
NONE	11	22	

8

7

6

5

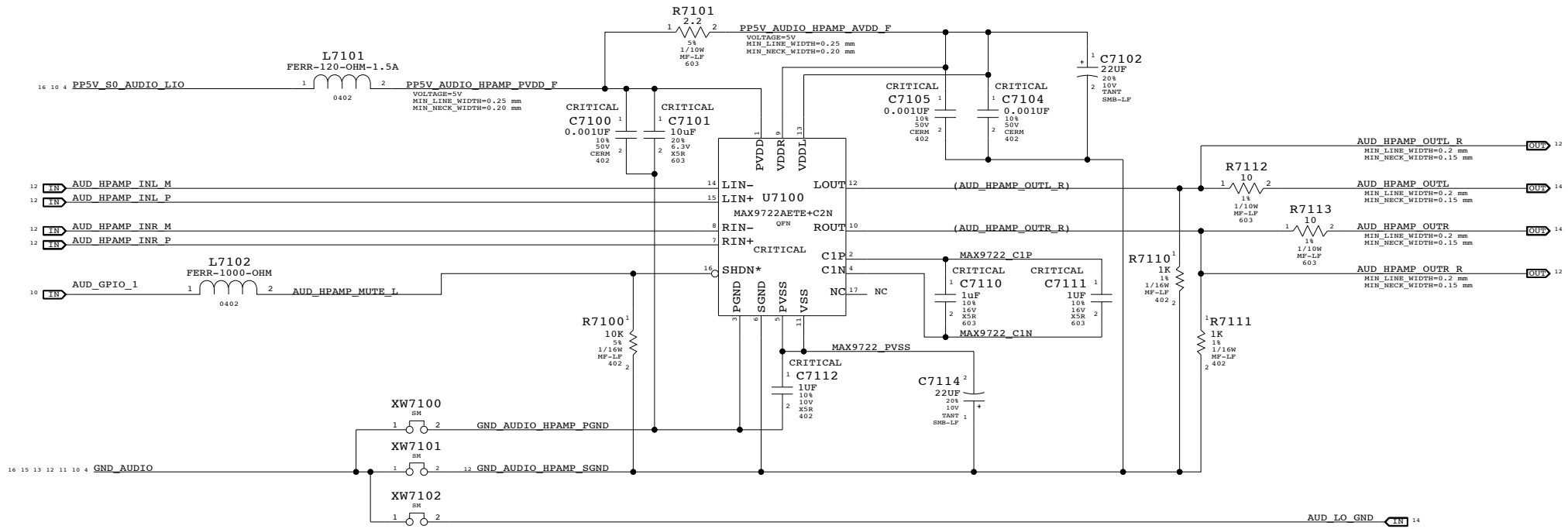
4

3

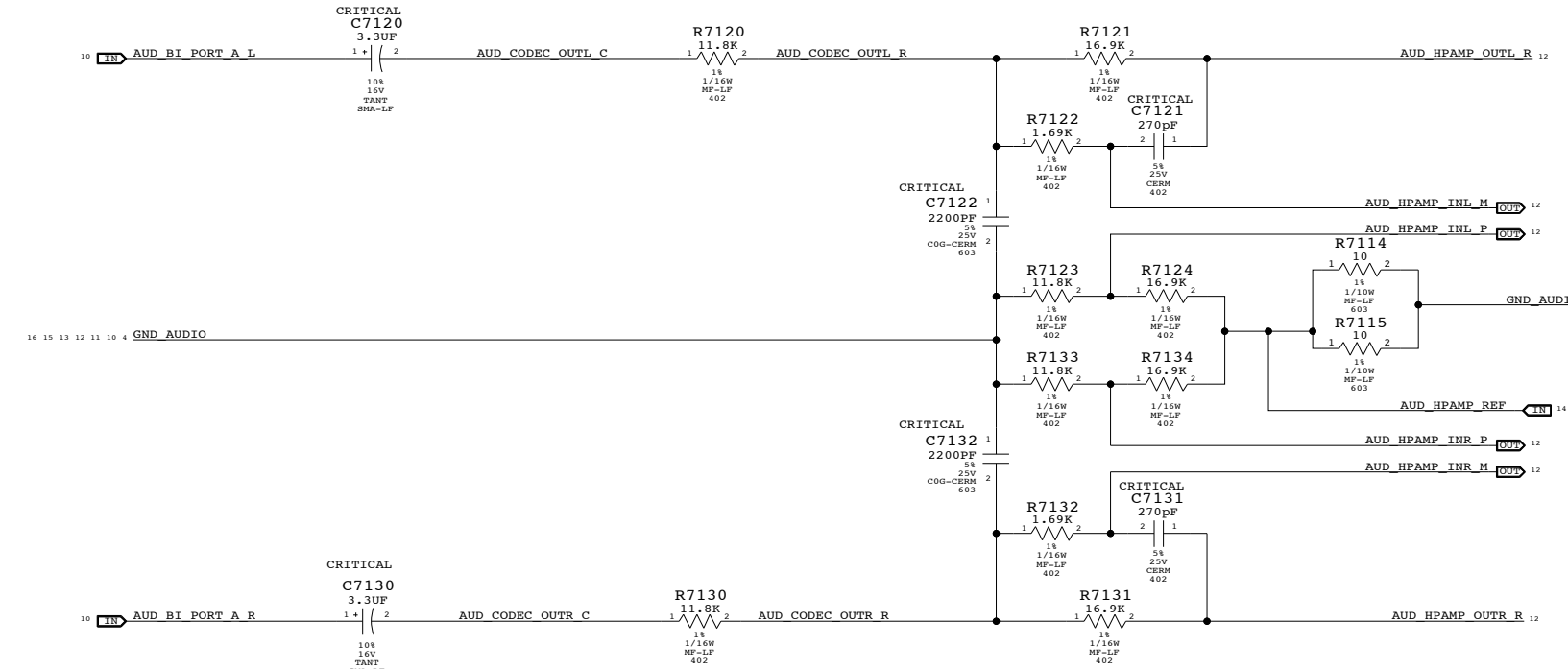
2

1

Headphone Amplifier (MAX9722)
 APN:353S1536
 VOLTAGE GAIN:1.43



2nd Order DAC Filter
 HP:4.09 HZ LP:39 KHZ



AUDIO: HEADPHONE AMP
 SYNC_MASTER=LENGO_M57_AUDIO SYNC_DATE=07/31/2006
NOTICE OF PROPRIETARY PROPERTY
 THE INFORMATION CONTAINED HEREIN IS THE PROPRIETARY PROPERTY OF APPLE COMPUTER, INC. THE POSSESSOR AGREES TO THE FOLLOWING
 I TO MAINTAIN THE DOCUMENT IN CONFIDENCE
 II NOT TO REPRODUCE OR COPY IT
 III NOT TO REVEAL OR PUBLISH IN WHOLE OR PART

APPLE COMPUTER INC.	SIZE	DRAWING NUMBER	REV.
	D	051-7165	3.0.0
SCALE	NONE	SHT	12 OF 22

SPEAKER AMPLIFIERS (MAX9705) APN: 353S1595 TURN ON TIME: 30MS
 GAIN = 12DB 170 < FC < 281HZ TURN ON DELAY: 60MS

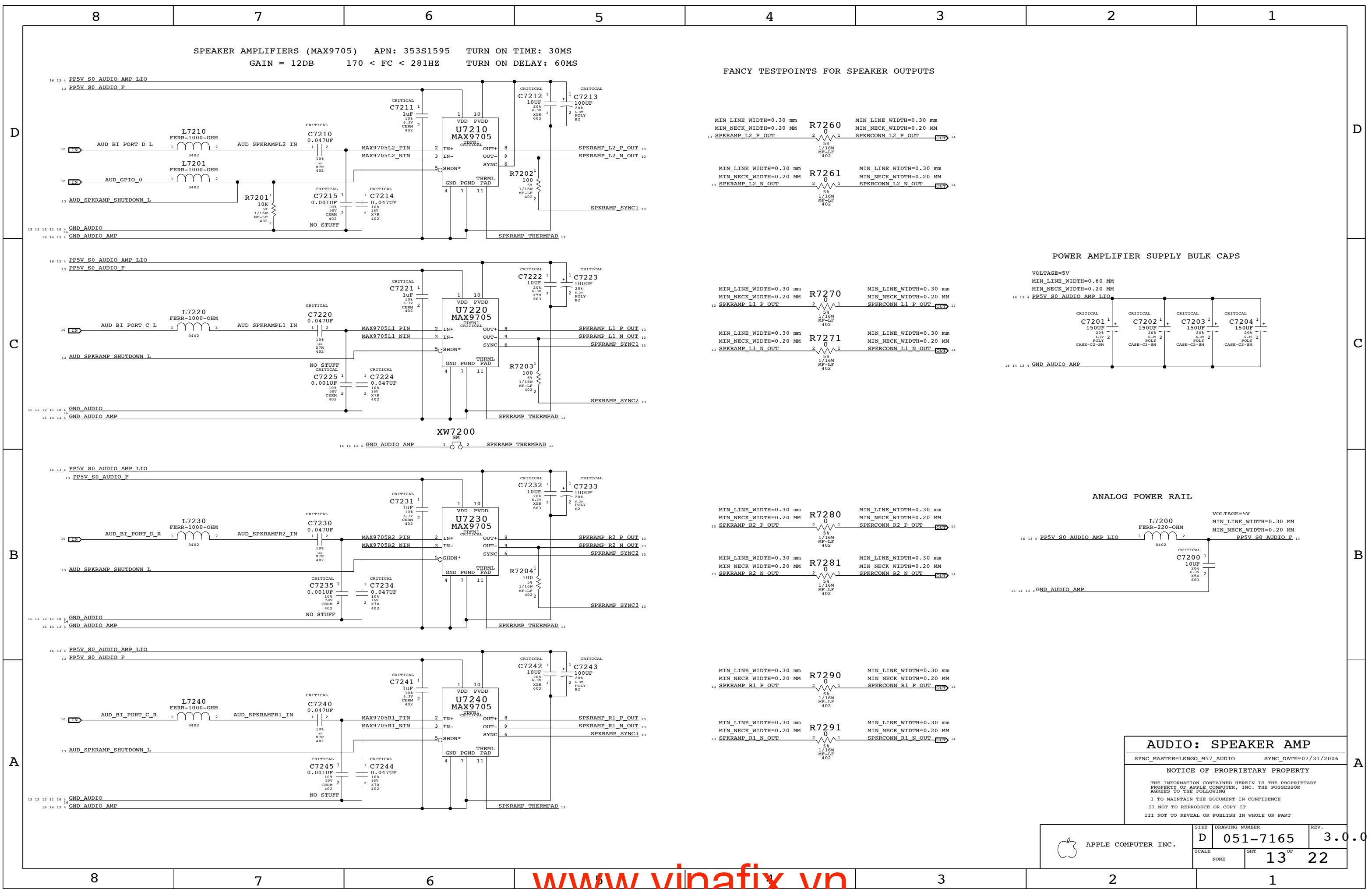
FANCY TESTPOINTS FOR SPEAKER OUTPUTS

POWER AMPLIFIER SUPPLY BULK CAPS

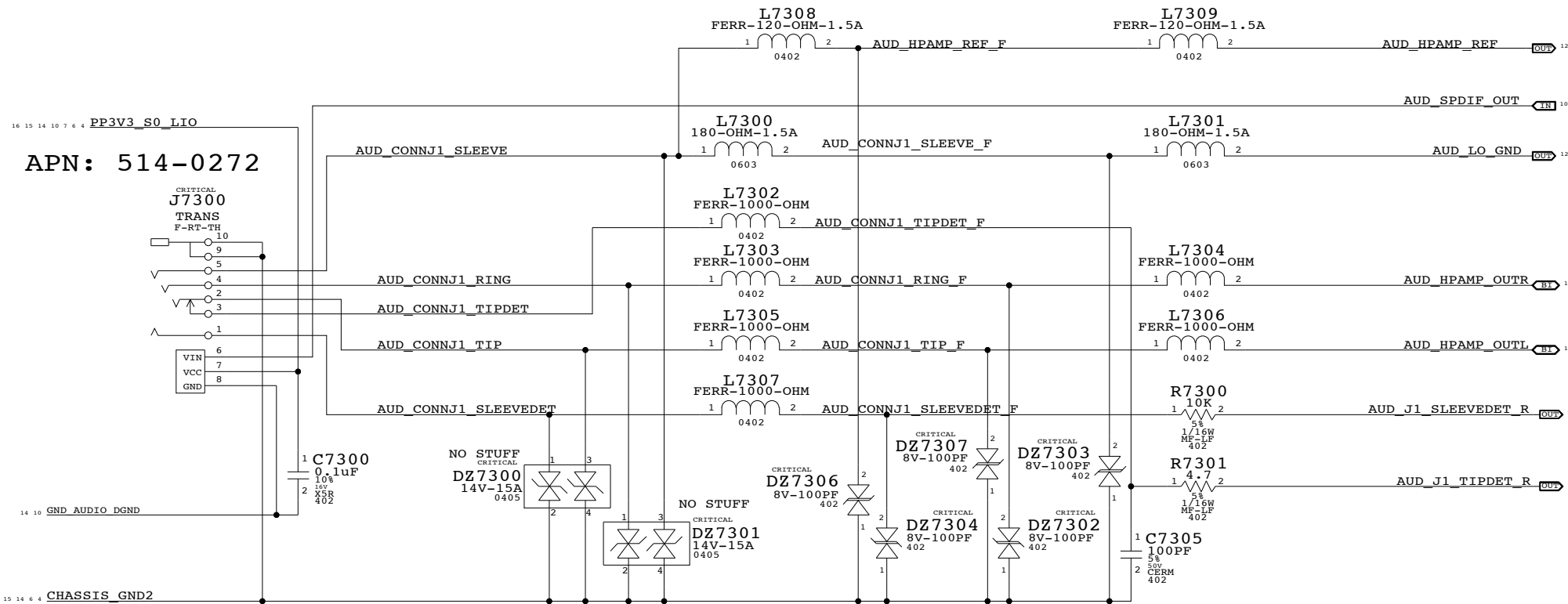
ANALOG POWER RAIL

AUDIO: SPEAKER AMP
 SYNC_MASTER=LENGO_M57_AUDIO SYNC_DATE=07/31/2006
 NOTICE OF PROPRIETARY PROPERTY
 THE INFORMATION CONTAINED HEREIN IS THE PROPRIETARY PROPERTY OF APPLE COMPUTER, INC. THE POSSESSOR AGREES TO THE FOLLOWING
 I TO MAINTAIN THE DOCUMENT IN CONFIDENCE
 II NOT TO REPRODUCE OR COPY IT
 III NOT TO REVEAL OR PUBLISH IN WHOLE OR PART

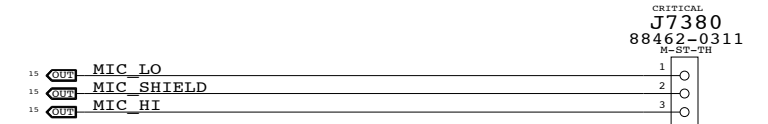
APPLE COMPUTER INC.	SIZE	DRAWING NUMBER	REV.
	D	051-7165	3.0.0
SCALE	SHT	OF	
NONE	13	22	



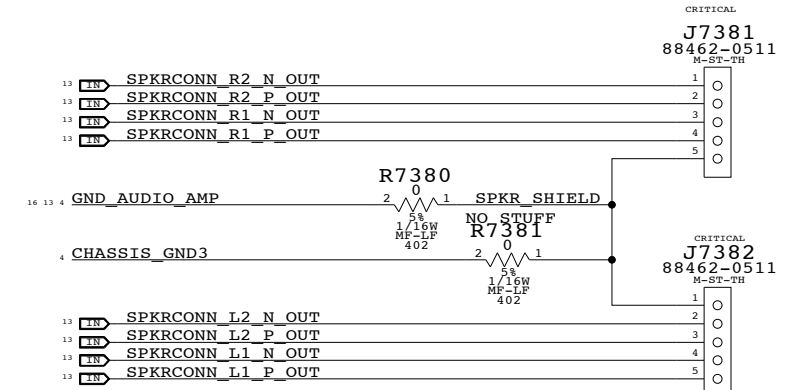
AUDIO JACK 1 LO/HP CONNECTOR, SPDIF TX



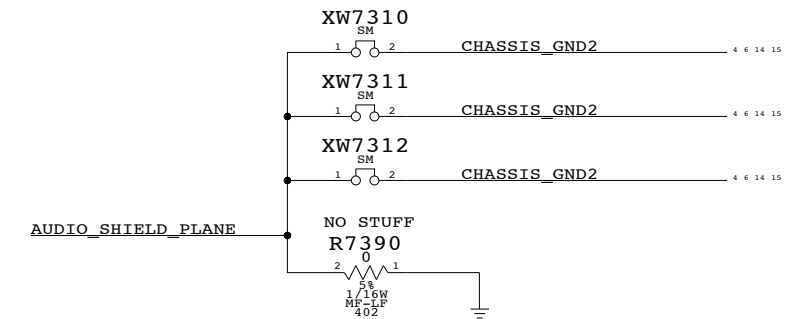
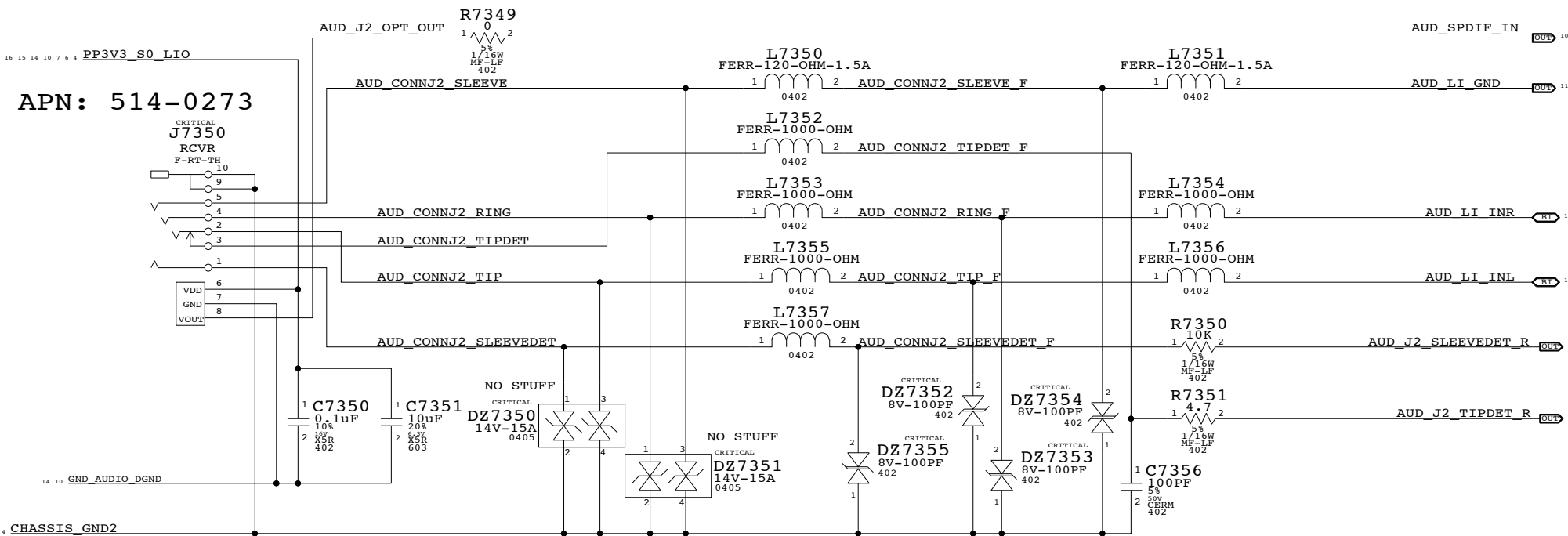
MIC CONNECTOR
APN: 518-0230



SPEAKER CONNECTORS
APN: 518-0229



AUDIO JACK 2 LINE IN CONNECTOR, SPDIF RX



AUDIO SHIELD
(FILLED SHAPE)

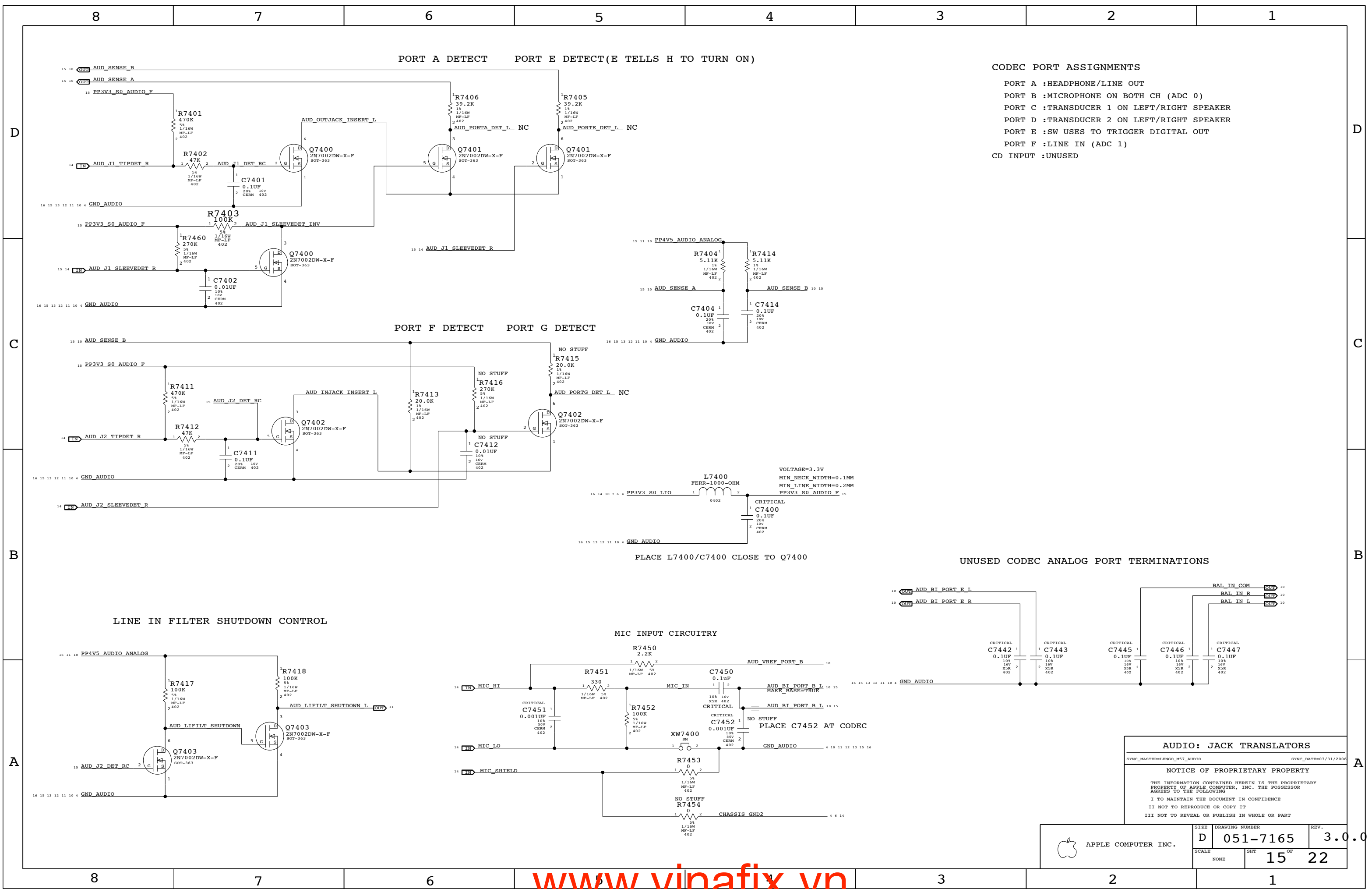
AUDIO: JACKS

SYNC_MASTER=LENGO_M57_AUDIO SYNC_DATE=07/31/2006

NOTICE OF PROPRIETARY PROPERTY

THE INFORMATION CONTAINED HEREIN IS THE PROPRIETARY PROPERTY OF APPLE COMPUTER, INC. THE POSSESSOR AGREES TO THE FOLLOWING
I TO MAINTAIN THE DOCUMENT IN CONFIDENCE
II NOT TO REPRODUCE OR COPY IT
III NOT TO REVEAL OR PUBLISH IN WHOLE OR PART

APPLE COMPUTER INC.	SIZE	DRAWING NUMBER	REV.
	D	051-7165	3.0.0
SCALE	NONE	SHT	14 OF 22



CODEC PORT ASSIGNMENTS
 PORT A : HEADPHONE/LINE OUT
 PORT B : MICROPHONE ON BOTH CH (ADC 0)
 PORT C : TRANSDUCER 1 ON LEFT/RIGHT SPEAKER
 PORT D : TRANSDUCER 2 ON LEFT/RIGHT SPEAKER
 PORT E : SW USES TO TRIGGER DIGITAL OUT
 PORT F : LINE IN (ADC 1)
 CD INPUT : UNUSED

LINE IN FILTER SHUTDOWN CONTROL

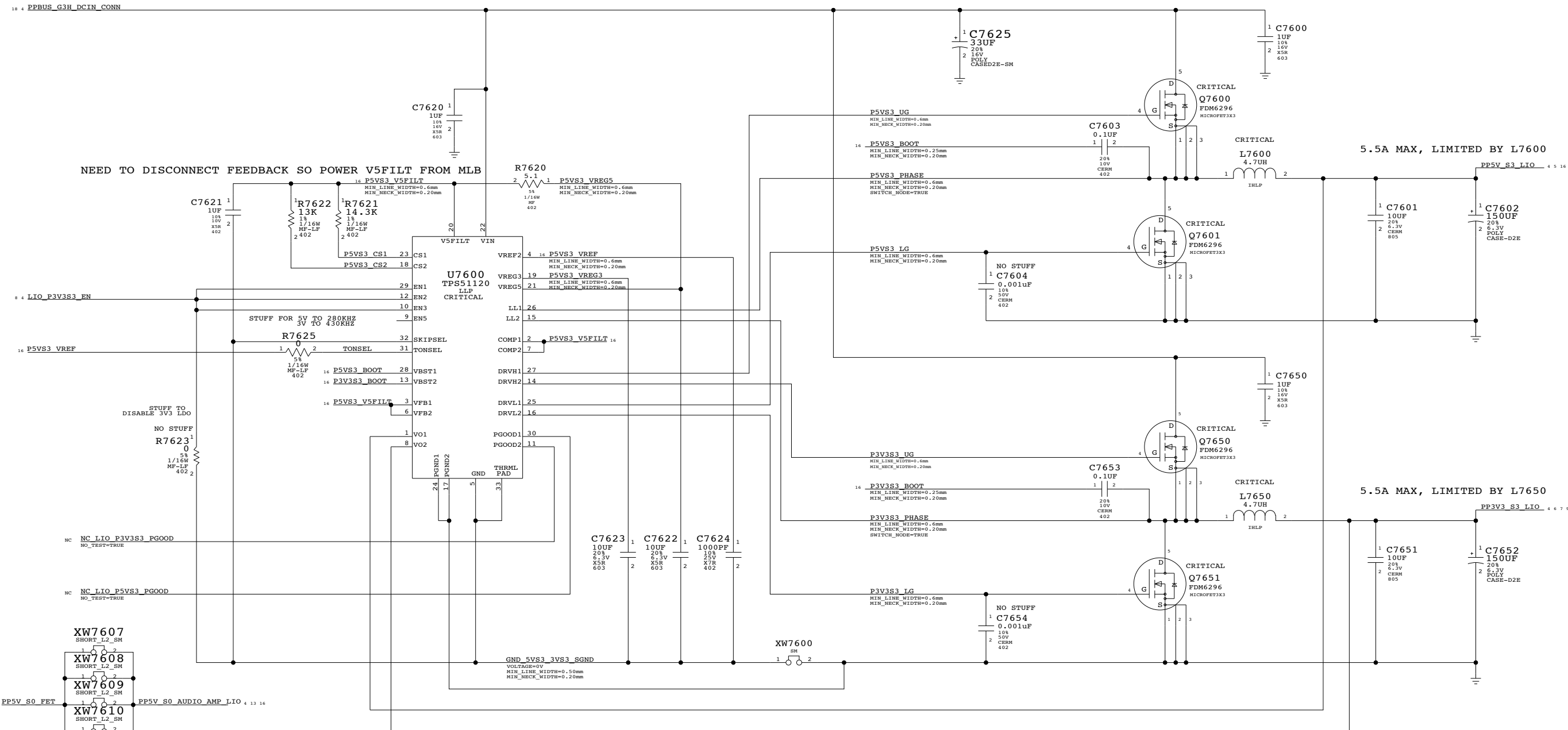
MIC INPUT CIRCUITRY

UNUSED CODEC ANALOG PORT TERMINATIONS

AUDIO: JACK TRANSLATORS
 SYNC_MASTER=LENGO_M57_AUDIO SYNC_DATE=07/31/2006
NOTICE OF PROPRIETARY PROPERTY
 THE INFORMATION CONTAINED HEREIN IS THE PROPRIETARY PROPERTY OF APPLE COMPUTER, INC. THE POSSESSOR AGREES TO THE FOLLOWING
 I TO MAINTAIN THE DOCUMENT IN CONFIDENCE
 II NOT TO REPRODUCE OR COPY IT
 III NOT TO REVEAL OR PUBLISH IN WHOLE OR PART

APPLE COMPUTER INC.	SIZE	DRAWING NUMBER	REV.
	D	051-7165	3.0.0
SCALE	NONE	SHT	15 OF 22

5V/3.3V POWER SUPPLY



NEED TO DISCONNECT FEEDBACK SO POWER V5FILT FROM MLB

STUFF TO DISABLE 3V3 LDO
NO STUFF

STUFF FOR 5V TO 280KHZ
3V TO 430KHZ

5V S0 FET

PLACE XW7601 TO XW76010 CLOSE TO 5V SWITCHER AND S0 FET

3.3V S0 FET

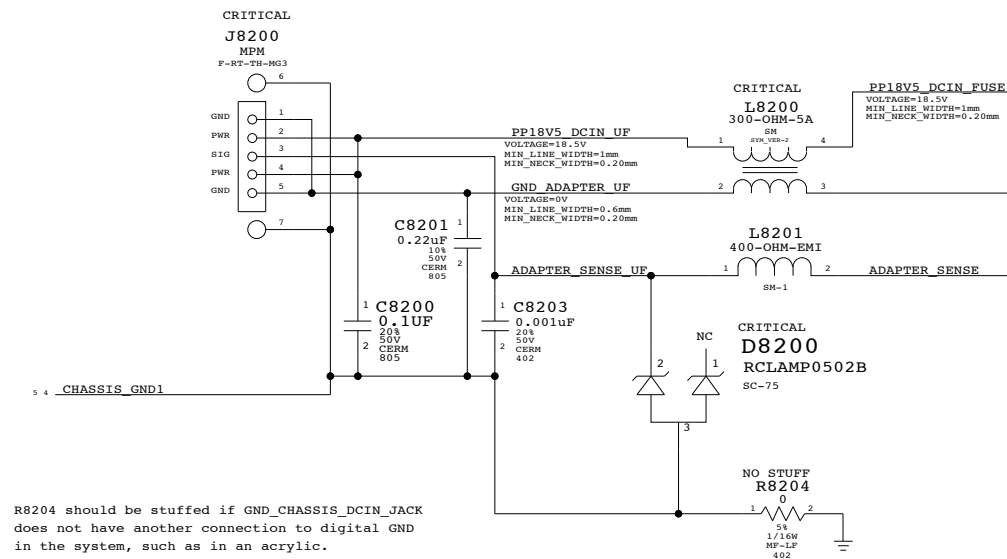
UPDATE NET NAME FOR BETTER ALIASES

5V/3.3V SUPPLY
SYNC_MASTER=<MASTER>
SYNC_DATE=<MASTER>

NOTICE OF PROPRIETARY PROPERTY
THE INFORMATION CONTAINED HEREIN IS THE PROPRIETARY PROPERTY OF APPLE COMPUTER, INC. THE POSSESSOR AGREES TO THE FOLLOWING:
I TO MAINTAIN THE DOCUMENT IN CONFIDENCE
II NOT TO REPRODUCE OR COPY IT
III NOT TO REVEAL OR PUBLISH IN WHOLE OR PART

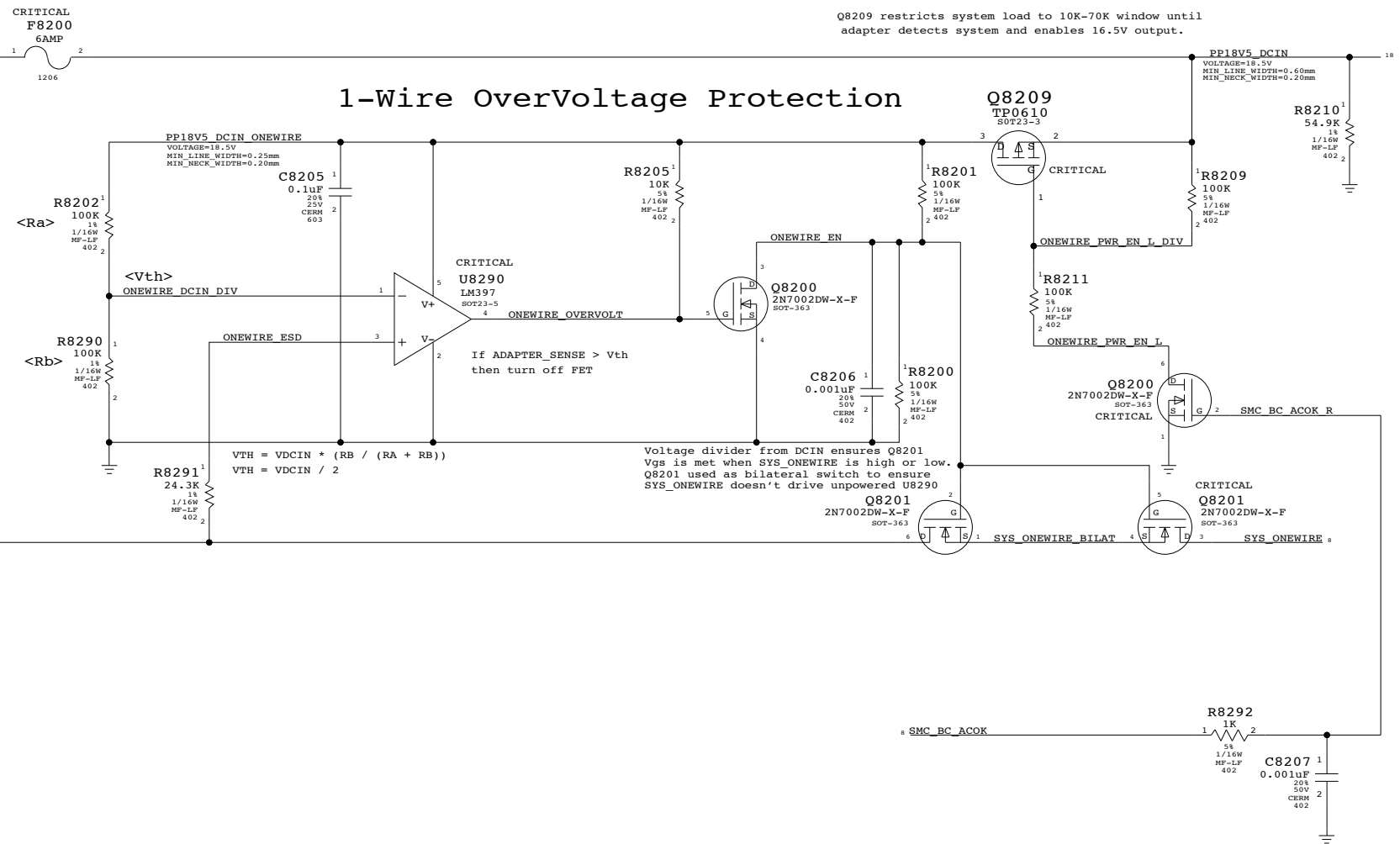
APPLE COMPUTER INC.	SIZE	D	DRAWING NUMBER	051-7165	REV.	3.0.0
	SCALE	NONE	SHT	16	OF	22

DC Power Jack



R8204 should be stuffed if GND_CHASSIS_DCIN_JACK does not have another connection to digital GND in the system, such as in an acrylic. The chassis ground will otherwise float and can send transients onto ADAPTER_SENSE when AC is connected.

1-Wire OverVoltage Protection



DC-In & Battery Connectors

SYNC_MASTER=(MASTER) SYNC_DATE=(MASTER)

NOTICE OF PROPRIETARY PROPERTY

THE INFORMATION CONTAINED HEREIN IS THE PROPRIETARY PROPERTY OF APPLE COMPUTER, INC. THE POSSESSOR AGREES TO THE FOLLOWING

I TO MAINTAIN THE DOCUMENT IN CONFIDENCE

II NOT TO REPRODUCE OR COPY IT

III NOT TO REVEAL OR PUBLISH IN WHOLE OR PART

APPLE COMPUTER INC.	SIZE	DRAWING NUMBER	REV.
	D	051-7165	3.0.0
SCALE	SHT		OF
NONE	17		22

8

7

6

5

4

3

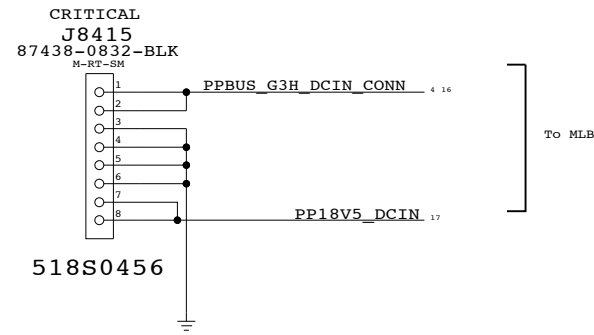
2

1

D

D

Left I/O Power Connector



C

C

B

B

A

A

LEFT I/O POWER CONNECTOR

SYNC_MASTER=(MASTER) SYNC_DATE=(MASTER)

NOTICE OF PROPRIETARY PROPERTY

THE INFORMATION CONTAINED HEREIN IS THE PROPRIETARY PROPERTY OF APPLE COMPUTER, INC. THE POSSESSOR AGREES TO THE FOLLOWING

I TO MAINTAIN THE DOCUMENT IN CONFIDENCE

II NOT TO REPRODUCE OR COPY IT

III NOT TO REVEAL OR PUBLISH IN WHOLE OR PART

APPLE COMPUTER INC.	SIZE	DRAWING NUMBER	REV.
	D	051-7165	3.0.0
	SCALE	SHT	OF
	NONE	18	22

8

7

6

5

4

3

2

1

CHANGE LIST

05/04/06:
 INITIAL M57 YUBA SCHEMATIC CREATED. LATEST AUDIO CIRCUITRY SYNCED INTO SCHEMATIC.

05/05/06:
 PAGE 4: UPDATED ALIASES
 PAGE 8: UPDATED LIO-MLB CONNECTOR WITH SMBUS ALS TEMP SIGNALS
 PAGE 9: ADDED LEFT ALS TEMP SENSOR(U6402)
 PAGE 18: CHANGED DC-IN CONNECTOR TO BLACK
 PAGE 6: REMOVED UNNEEDED EXPRESSCARD COMPONENTS (AND GATE FOR SMC INPUT)
 PAGE 16: REMOVED D7800,R7802; CHANGED TO ISL6269A

05/05/06:
 PAGE 6: CHANGED EXPRESSCARD CONNECTOR TO BLACK
 PAGE 18: REMOVED UNEEDED BOM OPTIONS AND COMPONENTS IN ONE-WIRE CIRCUIT

FUTURE UPDATES LOGGED IN PERFORCE

D

D

C

C

B

B

A

A

HISTORY: NON-AUDIO

SYNC_MASTER=(MASTER) SYNC_DATE=(MASTER)

NOTICE OF PROPRIETARY PROPERTY

THE INFORMATION CONTAINED HEREIN IS THE PROPRIETARY PROPERTY OF APPLE COMPUTER, INC. THE POSSESSOR AGREES TO THE FOLLOWING

I TO MAINTAIN THE DOCUMENT IN CONFIDENCE
 II NOT TO REPRODUCE OR COPY IT
 III NOT TO REVEAL OR PUBLISH IN WHOLE OR PART

APPLE COMPUTER INC.	SIZE	DRAWING NUMBER	REV.
	D	051-7165	3.0.0
	SCALE	SHT	OF
	NONE	19	22

8

7

6

5

4

3

2

1

CHANGE LIST

MAY 03 2006:FIRST RELEASE

MAY 04 2006:REMOVED U7350

MAY 10 2006:CONNECT XW7200.1 TO GND AUDIO PWR INSTEAD OF 5V, REPLACED C7301/02/04/52/53/55 WITH ZAP DIODES

MAY 25 2006:REPLACED R6801, R7000, R7200 WITH 155S0138.CHANGED C6803 TO 22UF ROHS COMPLIANT CAP

MAY 31 2006:CHANGE U6800 TO 353S1458, DC SCREENED VERSION. CHANGED NETNAME "=GND_AUDIO_PWR" TO "=GND_AUDIO_AMP"
CHANGED NETNAME "=PP5V S0 AUDIO PWR" TO "=PP5V S0 AUDIO AMP"

JUNE 1 2006:ADDED NETNAMES TO NC PINS ON U6800. ADDED "NO TEST=TRUE" ATTRIBUTES TO NC NETS.

JUNE 28 2006:ADDED CRITICAL TO U6800. REMOVE "?" FROM BOMOPTION TABLE

D

D

C

C

B

B

A

A


NOTICE OF PROPRIETARY PROPERTY

THE INFORMATION CONTAINED HEREIN IS THE PROPRIETARY PROPERTY OF APPLE COMPUTER, INC. THE POSSESSOR AGREES TO THE FOLLOWING

I TO MAINTAIN THE DOCUMENT IN CONFIDENCE

II NOT TO REPRODUCE OR COPY IT

III NOT TO REVEAL OR PUBLISH IN WHOLE OR PART

 APPLE COMPUTER INC.	SIZE	DRAWING NUMBER	REV.
	D	051-7165	3.0.0
SCALE	SHT	OF	
NONE	20	22	

8

7

6

5

4

3

2

1

	8	7	6	5	4	3	2	1		
	<p>Title: Basenet Report Design: lio Date: Aug 11 13:24:18 2006</p> <p>Base nets and synonyms for lio_lib.LIO@lio_lib.lio(sch_1)</p> <p>Base Signal Synonyms Location((Zone)[dir])</p>		<p>CHASSIS_GND3 CHASSIS_GND3 - @lio_lib.LIO 14A8 14B1 14B1 14B1 14B8 CHASSIS_GND4 CHASSIS_GND4 - @lio_lib.LIO 15A4 EC_HOLE1 EC_HOLE1 - @lio_lib.LIO 4A7 4A8 14C3 EC_HOLE2 EC_HOLE2 - @lio_lib.LIO 6D3 EXCARD_CLKREQ_CONN EXCARD_CLKREQ_CONN - @lio_lib.LIO 6B3 EXCARD_CLKREQ_CONN_L EXCARD_CLKREQ_CONN_L - @lio_lib.LIO 6A4 6C3 EXCARD_CLKREQ_L EXCARD_CLKREQ_L - @lio_lib.LIO 4C4 4C5 6B2 8C6 EXCARD_CPPE_L EXCARD_CPPE_L - @lio_lib.LIO 6A8 6C3 6C3 EXCARD_CPUSE_L EXCARD_CPUSE_L - @lio_lib.LIO 6A8 6C3 6C3 EXCARD_OC_L EXCARD_OC_L - @lio_lib.LIO 4C4 4C5 6C7 8C6 EXCARD_RCLKEN EXCARD_RCLKEN - @lio_lib.LIO 6B3 6C5 EXCARD_SHDN_L_R EXCARD_SHDN_L_R - @lio_lib.LIO 6C6 GND_5VS3_3VS3_SGND GND_5VS3_3VS3_SGND - @lio_lib.LIO 16A6 GND_ADAPTER_UP - @lio_lib.LIO 17D7 GND_AUDIO GND_AUDIO - @lio_lib.LIO 4A7 4A7 4A8 10A6 10B6 10D2 11B2 11B7 12B6 12C6 13A8 13B8 13C8 13C8 15A3 15A4 15A8 15B5 15B8 15C5 15C8 15D8 16A6 4B7 4B8 13A8 13B2 13B6 13B8 13C2 13C8 13C8 14C3 16A6 10A6 10A7 10B6 10B7 10D7 14A8 14C8</p>		<p>PP3V3_AUDIO_CODEC PP3V3_AUDIO_CODEC - @lio_lib.LIO 10D6 PP3V3_S0_AUDIO_F PP3V3_S0_AUDIO_F - @lio_lib.LIO 15B4 15C8 15C8 15D8 PP3V3_S0_EXCARD_SWIT PP3V3_S0_EXCARD_SWITCH - @lio_lib.LIO 6C3 6C3 CH @lio_lib.LIO PP3V3_S0_LIO PP3V3_S0_LIO - @lio_lib.LIO 4C7 4C7 4C7 4C7 4C8 6B4 6C7 7D2 10A6 10D7 14B8 14D8 15B5 16A2 6C3 6C3 PP3V3_S3_EXCARD_SWIT PP3V3_S3_EXCARD_SWITCH - @lio_lib.LIO CH @lio_lib.LIO PP3V3_S3_LIO PP3V3_S3_LIO - @lio_lib.LIO 4C7 4C7 4C7 4C7 4C7 4C8 6B8 6C7 6C8 7C2 9B4 9D6 16A4 16B1 PP4V5_AUDIO_ANALOG PP4V5_AUDIO_ANALOG - @lio_lib.LIO 10A2 10D2 11C7 15A8 15C5 PP4V5_AUDIO_LINE_IN PP4V5_AUDIO_LINE_IN - @lio_lib.LIO 11C5 PP5V_AUDIO_HPAMP_AVDD PP5V_AUDIO_HPAMP_AVDD_F - @lio_lib.LIO 12D4 D_F @lio_lib.LIO PP5V_AUDIO_HPAMP_PVD PP5V_AUDIO_HPAMP_PVDD_F - @lio_lib.LIO 12D5 D_F @lio_lib.LIO PP5V_PWRON_USB_LEFT2 PP5V_PWRON_USB_LEFT2_EMI - @lio_lib.LIO 5D4 _EMI @lio_lib.LIO PP5V_PWRON_USB_LEFT PP5V_PWRON_USB_LEFT_EMI - @lio_lib.LIO 5B4 EMI @lio_lib.LIO PP5V_S0_AUDIO_AMP_LI PP5V_S0_AUDIO_AMP_LIO - @lio_lib.LIO 4B7 4B8 13A8 13B2 13B8 O @lio_lib.LIO PP5V_S0_AUDIO_F PP5V_S0_AUDIO_F - @lio_lib.LIO 13C2 13C8 13D8 16A6 16A7 PP5V_S0_AUDIO_LIO PP5V_S0_AUDIO_LIO - @lio_lib.LIO 13A8 13B1 13B8 13C8 13D8 PP5V_S0_FET PP5V_S0_FET - @lio_lib.LIO 16A7 16A8 PP5V_S3_LIO PP5V_S3_LIO - @lio_lib.LIO 4C7 4C7 4C7 4C8 5B8 16A8 16C1 PP5V_S3_USB_SWITCH_O PP5V_S3_USB_SWITCH_OUT1 - @lio_lib.LIO 5B5 UT1 @lio_lib.LIO PP5V_S3_USB_SWITCH_O PP5V_S3_USB_SWITCH_OUT2 - @lio_lib.LIO 5D5 UT2 @lio_lib.LIO PP18V5_DCIN PP18V5_DCIN - @lio_lib.LIO 17D1 18C4 PP18V5_DCIN_FUSE PP18V5_DCIN_FUSE - @lio_lib.LIO 17D6 PP18V5_DCIN_ONEWIRE PP18V5_DCIN_ONEWIRE - @lio_lib.LIO 17D5 PP18V5_DCIN_UP @lio_lib.LIO 17D7 PPBUS_G3H_DCIN_CONN PPBUS_G3H_DCIN_CONN - @lio_lib.LIO 4D6 4D7 4D8 16D8 18C4 SDATAIN @lio_lib.LIO 10C6 SMBUS_SB_SCL SMBUS_SB_SCL - @lio_lib.LIO 4A2 4A3 6C3 8B6 SMBUS_SB_SDA SMBUS_SB_SDA - @lio_lib.LIO 4A4 4A5 6C3 8B6 SMBUS_SMC_SCL SMBUS_SMC_SCL - @lio_lib.LIO 4A2 4A2 4A3 7B3 8B3 9A6 SMBUS_SMC_SDA SMBUS_SMC_SDA - @lio_lib.LIO 4A4 4A4 4A5 7B3 8B3 9A6 SMC_BC_ACOK SMC_BC_ACOK - @lio_lib.LIO 8C6 17B2 SMC_BC_ACOK_R SMC_BC_ACOK_R - @lio_lib.LIO 17C1 SMC_EXCARD_CP SMC_EXCARD_CP - @lio_lib.LIO 6A6 8C6 SMC_EXCARD_PWR_EN SMC_EXCARD_PWR_EN - @lio_lib.LIO 6C7 8C6 SPKRAMP_L1_N_OUT @lio_lib.LIO 13C4 13C5 SPKRAMP_L1_P_OUT @lio_lib.LIO 13C4 13C5 SPKRAMP_L2_N_OUT @lio_lib.LIO 13D4 13D5 SPKRAMP_L2_P_OUT @lio_lib.LIO 13D4 13D5 SPKRAMP_R1_N_OUT @lio_lib.LIO 13A4 13A5 SPKRAMP_R1_P_OUT @lio_lib.LIO 13A4 13A5 SPKRAMP_R2_N_OUT @lio_lib.LIO 13B4 13B5 SPKRAMP_R2_P_OUT @lio_lib.LIO 13B4 13B5 SPKRAMP_SYNC1 SPKRAMP_SYNC1 - @lio_lib.LIO 13C5 13D5 SPKRAMP_SYNC2 SPKRAMP_SYNC2 - @lio_lib.LIO 13B5 13C5 SPKRAMP_SYNC3 SPKRAMP_SYNC3 - @lio_lib.LIO 13A5 13B5 SPKRAMP_THERMPAD SPKRAMP_THERMPAD - @lio_lib.LIO 13A5 13B5 13B5 13C5 13C5 SPKRCONN_L1_N_OUT SPKRCONN_L1_N_OUT - @lio_lib.LIO 13C3 14C3 SPKRCONN_L1_P_OUT @lio_lib.LIO 13C3 14C3 SPKRCONN_L2_N_OUT SPKRCONN_L2_N_OUT - @lio_lib.LIO 13D3 14C3 SPKRCONN_L2_P_OUT @lio_lib.LIO 13D3 14C3 SPKRCONN_R1_N_OUT SPKRCONN_R1_N_OUT - @lio_lib.LIO 13A3 14C3 SPKRCONN_R1_P_OUT @lio_lib.LIO 13A3 14C3 SPKRCONN_R2_N_OUT SPKRCONN_R2_N_OUT - @lio_lib.LIO 13B3 14C3 SPKR_R2_P_OUT @lio_lib.LIO 13B3 14C3 SPKR_SHIELD @lio_lib.LIO 14C2 SYS_ONEWIRE SYS_ONEWIRE - @lio_lib.LIO 8C6 17C1 SYS_ONEWIRE_BILAT SYS_ONEWIRE_BILAT - @lio_lib.LIO 17C2 TONSEL TONSEL - @lio_lib.LIO 16C6 TP_EXCARD_STBY_L TP_EXCARD_STBY_L - @lio_lib.LIO 6C7 TP_USB2_MININ TP_USB2_MININ - @lio_lib.LIO 4A3 USB2_MINI_N - @lio_lib.LIO 4A5 7B3 TP_USB2_MINIP TP_USB2_MINIP - @lio_lib.LIO 4A3 USB2_EXCARD_N USB2_EXCARD_N - @lio_lib.LIO 4A5 7B3 USB2_EXCARD_P USB2_EXCARD_P - @lio_lib.LIO 4D2 4D5 6C3 8C3 USB_LEFT2_EMI_N USB_LEFT2_EMI_N - @lio_lib.LIO 5C4 USB_LEFT2_EMI_P USB_LEFT2_EMI_P - @lio_lib.LIO 5C4 USB_LEFT2_GND USB_LEFT2_GND - @lio_lib.LIO 5C3 USB_LEFT2_N USB_LEFT2_N - @lio_lib.LIO 4B3 4B5 5C5 8C3 USB_LEFT2_OC_L USB_LEFT2_OC_L - @lio_lib.LIO 4A3 4A5 5B8 8C6 USB_LEFT2_P USB_LEFT2_P - @lio_lib.LIO 4B3 4B5 5C5 8C3 USB_LEFT_EMI_N USB_LEFT_EMI_N - @lio_lib.LIO 5B4 USB_LEFT_EMI_P USB_LEFT_EMI_P - @lio_lib.LIO 5C4 USB_LEFT_GND USB_LEFT_GND - @lio_lib.LIO 5B3 USB_LEFT_N USB_LEFT_N - @lio_lib.LIO 4B3 4B5 5B5 8C3 USB_LEFT_OC_L USB_LEFT_OC_L - @lio_lib.LIO 4B3 4B5 5B8 8C6 USB_LEFT_P USB_LEFT_P - @lio_lib.LIO 4B3 4B5 5B5 8C3 VREG_FB VREG_FB - @lio_lib.LIO 10A3</p>					
D										
C										
B										
A										

	8	7	6	5	4	3	2	1	
D	Title: Cref Part Report Design: lio Date: Aug 11 13:24:18 2006			C7443 CAP_402 lio[15A2] C7445 CAP_402 lio[15A2] C7446 CAP_402 lio[15A1] C7447 CAP_402 lio[15A1] C7450 CAP_402 lio[15A4] C7451 CAP_402 lio[15A5] C7452 CAP_402 lio[15A4] C7600 CAP_603 lio[16B2] C7601 CAP_805 lio[16C2] C7602 CAP_P_CASE-D2E lio[16C1] C7603 CAP_402 lio[16C3] C7604 CAP_402 lio[16C3] C7610 CAP_402 lio[16A7] C7620 CAP_603 lio[16C6] C7621 CAP_402 lio[16C7] C7622 CAP_603 lio[16B5] C7623 CAP_603 lio[16B5] C7624 CAP_402 lio[16B5] C7625 CAP_P_CASED2E-SM lio[16B4] C7650 CAP_603 lio[16B2] C7651 CAP_805 lio[16B2] C7652 CAP_P_CASE-D2E lio[16B1] C7653 CAP_402 lio[16B3] C7654 CAP_402 lio[16B3] C7660 CAP_402 lio[16A3] C8200 CAP_805 lio[17D7] C8201 CAP_805 lio[17D7] C8202 CAP_402 lio[17D7] C8204 CAP_603 lio[17D6] C8205 CAP_603 lio[17D4] C8206 CAP_402 lio[17C2] C8207 CAP_402 lio[17B1] D5100 DIODE_SCHOT_3P_A_SC- lio[5A3] 75 D5110 DIODE_SCHOT_3P_A_SC- lio[5C4] 75 D6800 DIODE_SCHOT_POWERDI- lio[10A4] 123 D8200 DIODE_SCHOT_3P_A_SC- lio[17C7] 75 DZ7300 SUPPR_TRANSIENT_4P1_ lio[14C6] 0405 DZ7301 SUPPR_TRANSIENT_4P1_ lio[14C6] 0405 DZ7302 SUPPR_TRANSIENT1_402 lio[14C5] DZ7303 SUPPR_TRANSIENT1_402 lio[14C5] DZ7304 SUPPR_TRANSIENT1_402 lio[14C5] DZ7306 SUPPR_TRANSIENT1_402 lio[14C5] DZ7307 SUPPR_TRANSIENT1_402 lio[14C5] DZ7350 SUPPR_TRANSIENT_4P1_ lio[14A6] 0405 DZ7351 SUPPR_TRANSIENT_4P1_ lio[14A6] 0405 DZ7352 SUPPR_TRANSIENT1_402 lio[14A5] DZ7353 SUPPR_TRANSIENT1_402 lio[14A5] DZ7354 SUPPR_TRANSIENT1_402 lio[14A5] DZ7355 SUPPR_TRANSIENT1_402 lio[14A5] F8200 FUSE_1206 lio[17D5] FL5500 FILTER_4P_1210-4SM1 lio[8C3] FL5501 FILTER_4P_1210-4SM1 lio[8B3] J5100 CON_F4RT_USB_S2MT_TH lio[5B2] _F-RT-TH-USB-LFT J5110 CON_F4RT_USB_S2MT_TH lio[5C2] _F-RT-TH-USB-LFT J5300 CON_F26RT_S2MT_SM_M5 lio[6D2] 9_F-RT-SM J5400 CON_F52RT_D2MT_SM_F- lio[7C5] ST-SM J5500 CON_F80ST_D4MT_SM_F- lio[8C4] ST-SM J7300 CON_F8RT_SPDIFFRAN_T lio[14C8] H2_F-RT-TH J7350 CON_F8RT_SPDIFRCVR_T lio[14B8] H2_F-RT-TH J7380 CON_M5ST_S_TH_M-ST-T lio[14D1] H J7381 CON_M5ST_S_TH_M-ST-T lio[14C1] H J7382 CON_M5ST_S_TH_M-ST-T lio[14C1] H J8200 CON_F5RT_S2MT_TH3_F- lio[17D8] RT-TH-MG3 J8415 CON_M8RT_S_SM_M-RT-S lio[18C5] M	PD6401 PHOTODIODE_2P_TH-WTH lio[9C6] -SPCR Q5360 TRA_2N7002_SOT23-LF lio[6B3] Q6401 TRA_2N7002_SOT23-LF lio[9C5] Q7400 TRA_2N7002DW_SOT-363 lio[15C7 15D7] Q7401 TRA_2N7002DW_SOT-363 lio[15D5 15D6] Q7402 TRA_2N7002DW_SOT-363 lio[15B7 15C5] Q7403 TRA_2N7002DW_SOT-363 lio[15A7 15A8] Q7600 TRA_FDM6296_MICROFET lio[16C3] 3X3 Q7601 TRA_FDM6296_MICROFET lio[16C3] 3X3 Q7610 TRA_IRF7707_TSSOP lio[16A7] Q7650 TRA_FDM6296_MICROFET lio[16B3] 3X3 Q7651 TRA_FDM6296_MICROFET lio[16B3] 3X3 Q7660 TRA_IRF7707_TSSOP lio[16A3] Q8200 TRA_2N7002DW_SOT-363 lio[17C1 17C3] Q8201 TRA_2N7002DW_SOT-363 lio[17C1 17C2] Q8209 TRA_TP0610_SOT23-3 lio[17D2] R5300 RES_402 lio[6C6] R5360 RES_402 lio[6B3] R5361 RES_402 lio[6B3] R5370 RES_402 lio[6B2] R5371 RES_402 lio[6D3] R5500 RES_402 lio[8B4] R6401 RES_402 lio[9C6] R6402 RES_402 lio[9C6] R6403 RES_402 lio[9C5] R6404 RES_402 lio[9C5] R6405 RES_402 lio[9C5] R6406 RES_402 lio[9C4] R6407 RES_402 lio[9C4] R6800 RES_402 lio[10C6] R6802 RES_402 lio[10A5] R6803 RES_402 lio[10A5] R6807 RES_402 lio[10C7] R6808 RES_402 lio[10D3] R6809 RES_402 lio[10B3] R6810 RES_402 lio[10A3] R6811 RES_402 lio[10A3] R6812 RES_402 lio[10C2] R6852 RES_402 lio[10B8] R6853 RES_402 lio[10B8] R7000 RES_402 lio[11B3] R7001 RES_402 lio[11B6] R7002 RES_402 lio[11C5] R7003 RES_402 lio[11B5] R7010 RES_402 lio[11C4] R7011 RES_402 lio[11C4] R7012 RES_402 lio[11C4] R7013 RES_402 lio[11C4] R7014 RES_402 lio[11B4] R7015 RES_402 lio[11B4] R7016 RES_402 lio[11B4] R7017 RES_402 lio[11B4] R7100 RES_402 lio[12C5] R7101 RES_603 lio[12D4] R7110 RES_402 lio[12C3] R7111 RES_402 lio[12C3] R7112 RES_603 lio[12D3] R7113 RES_603 lio[12C2] R7114 RES_603 lio[12B3] R7115 RES_603 lio[12B3] R7120 RES_402 lio[12B5] R7121 RES_402 lio[12B4] R7122 RES_402 lio[12B4] R7123 RES_402 lio[12B4] R7124 RES_402 lio[12B4] R7130 RES_402 lio[12A5] R7131 RES_402 lio[12A4] R7132 RES_402 lio[12A4] R7133 RES_402 lio[12A4] R7134 RES_402 lio[12A4] R7201 RES_402 lio[13D7] R7202 RES_402 lio[13D5] R7203 RES_402 lio[13C5] R7204 RES_402 lio[13B5] R7260 RES_402 lio[13D4] R7261 RES_402 lio[13D4] R7270 RES_402 lio[13C4] R7271 RES_402 lio[13C4] R7280 RES_402 lio[13B4] R7281 RES_402 lio[13B4] R7290 RES_402 lio[13A4] R7291 RES_402 lio[13A4] R7300 RES_402 lio[14C4] R7301 RES_402 lio[14C4] R7349 RES_402 lio[14B7] R7350 RES_402 lio[14A4] R7351 RES_402 lio[14A4] R7380 RES_402 lio[14C2] R7381 RES_402 lio[14C1] R7390 RES_402 lio[14B2] R7401 RES_402 lio[15D8] R7402 RES_402 lio[15D7] R7403 RES_402 lio[15C7] R7404 RES_402 lio[15C4] R7405 RES_402 lio[15D5] R7406 RES_402 lio[15D6] R7411 RES_402 lio[15C8] R7412 RES_402 lio[15B7] R7413 RES_402 lio[15C6] R7414 RES_402 lio[15C4] R7415 RES_402 lio[15C5] R7416 RES_402 lio[15C6] R7417 RES_402 lio[15A8] R7418 RES_402 lio[15A7] R7450 RES_402 lio[15A5] R7451 RES_402 lio[15A5] R7452 RES_402 lio[15A5] R7453 RES_402 lio[15A4] R7454 RES_402 lio[15A4] R7460 RES_402 lio[15C7] R7610 RES_402 lio[16A8] R7620 RES_402 lio[16C5] R7621 RES_402 lio[16C6] R7622 RES_402 lio[16C7] R7623 RES_402 lio[16B7] R7625 RES_402 lio[16C6] R7660 RES_402 lio[16A4] R8200 RES_402 lio[17C2] R8201 RES_402 lio[17D2]	R8202 RES_402 lio[17D5] R8204 RES_402 lio[17C6] R8205 RES_402 lio[17D3] R8209 RES_402 lio[17D1] R8210 RES_402 lio[17D1] R8211 RES_402 lio[17C2] R8290 RES_402 lio[17C5] R8291 RES_402 lio[17C4] R8292 RES_402 lio[17B1] S11 SLOT_TH lio[4A8] U5100 SWI_TP82042B_MSOP lio[5B6] U5300 PWR_CNTRL_TPS231_QF lio[6C5] N U5351 MC74VHC1G00_SCT0-5 lio[6A6] U5360 MC74VHC1G00_SCT0-5 lio[6B2] U6401 OPAMP_MAX4236EUTT_SO lio[9C5] T23-6-LF U6402 TRF106_WCSP-6 lio[9B5] U6800 AUDIO_STAC92204XR_LQ lio[10D5] FP U6801 LREG_MAX1819_UCSP lio[10A4] U7000 OPAMP_MAX4253_UMAX lio[11B4 11C4] U7100 MAX9722_QFN lio[12D4] U7210 MAX9705_TDFN1 lio[13D6] U7220 MAX9705_TDFN1 lio[13C6] U7230 MAX9705_TDFN1 lio[13B6] U7240 MAX9705_TDFN1 lio[13A6] U7600 TPS51120_LLP lio[16C6] U8290 COMPARATOR_LM397_SOT lio[17C4] 23-5 XW6800 SHORT_SM lio[10A8] XW6801 SHORT_SM lio[10B5] XW6802 SHORT_LAYER_9_SHORT- lio[10A8] L9-SM XW7100 SHORT_SM lio[12C5] XW7101 SHORT_SM lio[12C5] XW7102 SHORT_SM lio[12C5] XW7200 SHORT_SM lio[13B6] XW7310 SHORT_SM lio[14B2] XW7311 SHORT_SM lio[14B2] XW7312 SHORT_SM lio[14B2] XW7400 SHORT_SM lio[15A4] XW7600 SHORT_SM lio[16A4] XW7601 SHORT_SM lio[16A7] XW7602 SHORT_SM lio[16A7] XW7603 SHORT_LAYER_2_SHORT- lio[16A7] L2_SM XW7604 SHORT_LAYER_9_SHORT- lio[16A7] L9-SM XW7605 SHORT_LAYER_2_SHORT- lio[16A7] L2_SM XW7606 SHORT_LAYER_9_SHORT- lio[16A7] L9-SM XW7607 SHORT_LAYER_2_SHORT- lio[16A7] L2_SM XW7608 SHORT_LAYER_2_SHORT- lio[16A7] L2_SM XW7609 SHORT_LAYER_2_SHORT- lio[16A7] L2_SM XW7610 SHORT_LAYER_2_SHORT- lio[16A7] L2_SM ZH1 MTHOLE lio[4A8] ZH2 MTHOLE lio[4A8] ZH4 MTHOLE lio[4A8] ZH5 MTHOLE lio[4A8]	D		
	C	C							
B	C	C							
	B	B							
A	A	A							
	A	A							