

8

7

6

5

4

3

2

1

- 1. ALL RESISTANCE VALUES ARE IN OHMS, 0.1 WATT +/- 5%.
- 2. ALL CAPACITANCE VALUES ARE IN MICROFARADS.
- 3. ALL CRYSTALS & OSCILLATOR VALUES ARE IN HERTZ.

REV	ZONE	ECN	DESCRIPTION OF CHANGE	CK APPD	ENG APPD
				DATE	DATE
A		432619	PRODUCTION RELEASED	03/31/06?	

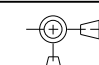

SCHEM, LEFT I/O AUDIO, M9

PVT

03/29/06

PDF PAGE	CSA PAGE	CONTENTS
1	1	Table of Contents
2	2	Block Diagram
3	4	BOM CONFIGURATION
4	6	Aliases
5	51	Left USB Port
6	53	ExpressCard Connector
7	54	PCI-E MiniCard Connector
8	55	MLB I/O Board Connector
9	64	Left ALS
10	68	AUDIO: CODEC
11	70	AUDIO: LINE IN
12	71	AUDIO: HEADPHONE AMP
13	72	AUDIO: SPEAKER AMP
14	73	AUDIO: JACKS
15	74	AUDIO: JACK TRANSLATORS
16	78	3.3V Supply
17	82	DC-In & Battery Connectors
18	84	LEFT I/O POWER CONNECTOR
19	100	HISTORY- NON-AUDIO
20	101	HISTORY- AUDIO
21	102	Cross Reference Page
22	103	Cross Reference Page
23	104	Cross Reference Page

PART#	QTY	DESCRIPTION	REFERENCE DESIGNATOR(S)	BOM OPTION
051-7066	1	SCHEM, SYMPHONY, NEW, M9	SCH1	
820-1970	1	PCBF, SYMPHONY, M9	PCB1	

<p>DIMENSIONS ARE IN MILLIMETERS</p> <p>XX : _____</p> <p>X.XX : _____</p> <p>X.XXX : _____</p> <p>ANGLES : _____</p> <p>DO NOT SCALE DRAWING</p> <p style="text-align: center;"></p> <p>THIRD ANGLE PROJECTION</p>	<p>METRIC</p>	<p style="text-align: right;"> Apple Computer Inc.</p> <p style="text-align: center;">NOTICE OF PROPRIETARY PROPERTY</p> <p style="font-size: small;">THE INFORMATION CONTAINED HEREIN IS THE PROPRIETARY PROPERTY OF APPLE COMPUTER, INC. THE POSSESSOR AGREES TO THE FOLLOWING</p> <p style="font-size: x-small;">I TO MAINTAIN THE DOCUMENT IN CONFIDENCE II NOT TO REPRODUCE OR COPY IT III NOT TO REVEAL OR PUBLISH IN WHOLE OR PART</p> <p style="text-align: center;">TITLE</p> <p style="text-align: center; font-size: large;">SCHEM, LIO AUDIO, M9</p> <p style="text-align: center;">DRAWING NUMBER 051-7066 REV. A</p> <p style="text-align: right; font-size: x-small;">SHT 1 OF 104</p>								
<table border="1" style="width: 100%;"> <tr> <td>DRAPTER</td> <td>DESIGN CK</td> </tr> <tr> <td>ENG APPD</td> <td>MFG APPD</td> </tr> <tr> <td>QA APPD</td> <td>DESIGNER</td> </tr> <tr> <td>RELEASE</td> <td>SCALE</td> </tr> </table> <p style="font-size: x-small;">MATERIAL/FINISH NOTED AS APPLICABLE</p> <p style="text-align: center;">SIZE D</p>	DRAPTER	DESIGN CK	ENG APPD	MFG APPD	QA APPD	DESIGNER	RELEASE	SCALE		
DRAPTER	DESIGN CK									
ENG APPD	MFG APPD									
QA APPD	DESIGNER									
RELEASE	SCALE									

8

7

6

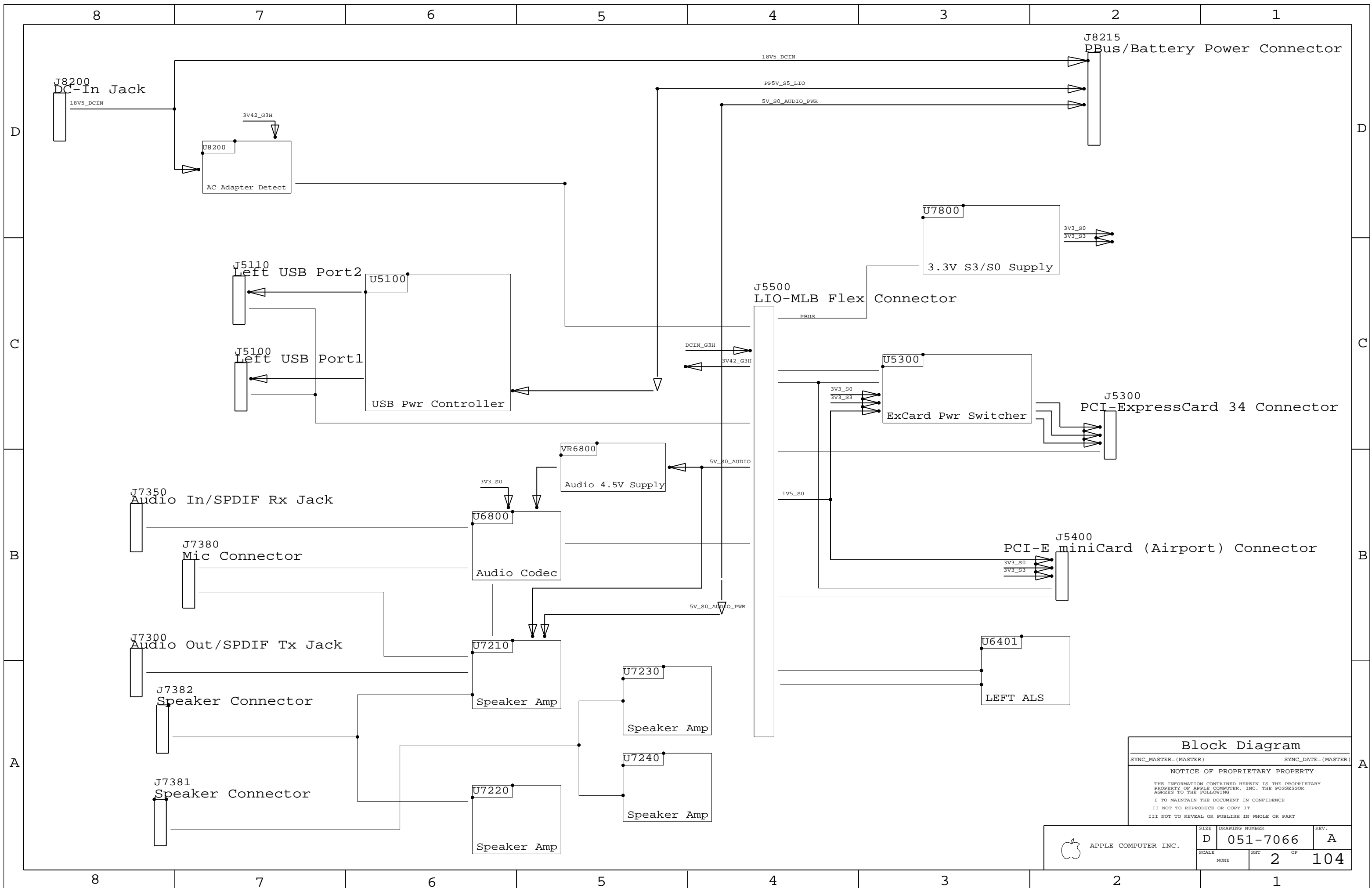
5

4

3

2

1



Block Diagram

SYNC_MASTER=(MASTER) SYNC_DATE=(MASTER)


NOTICE OF PROPRIETARY PROPERTY

THE INFORMATION CONTAINED HEREIN IS THE PROPRIETARY PROPERTY OF APPLE COMPUTER, INC. THE POSSESSOR AGREES TO THE FOLLOWING

I TO MAINTAIN THE DOCUMENT IN CONFIDENCE

II NOT TO REPRODUCE OR COPY IT

III NOT TO REVEAL OR PUBLISH IN WHOLE OR PART

 APPLE COMPUTER INC.	SIZE	DRAWING NUMBER	REV.
	D	051-7066	A
SCALE	SHT	OF	
NONE	2	104	

8

7

6

5

4

3

2

1

BOM NUMBER	BOM NAME	BOM OPTIONS
630-7510	PCBA, SYMPHONY, NEW, M9	COMMON, EXCARD_3CNTL, ONEWIRE_DIV, ONEWIRE_PWRCTL, ALTERNATE

BAR CODE LABEL / EEE#'S

PART NUMBER	QTY	DESCRIPTION	REFERENCE DES	CRITICAL	BOM OPTION
000-0041	1	PLACEHOLDER FOR EEE/CCC INFO	[EEE:V3P]	CRITICAL	

PART#	QTY	DESCRIPTION	REFERENCE DESIGNATOR(S)	CRITICAL	BOM OPTION
815-8851	1	ALS SPACER, M9	SP6401	CRITICAL	

D

D

C

C


B

B

A

A

BOM CONFIGURATION	
SYNC_MASTER=(MASTER)	SYNC_DATE=(MASTER)
NOTICE OF PROPRIETARY PROPERTY	
THE INFORMATION CONTAINED HEREIN IS THE PROPRIETARY PROPERTY OF APPLE COMPUTER, INC. THE POSSESSOR AGREES TO THE FOLLOWING	
I TO MAINTAIN THE DOCUMENT IN CONFIDENCE	
II NOT TO REPRODUCE OR COPY IT	
III NOT TO REVEAL OR PUBLISH IN WHOLE OR PART	

 APPLE COMPUTER INC.	SIZE	DRAWING NUMBER	REV.
	D	051-7066	A
SCALE	SHT		OF
NONE	4		104

8

7

6

5

4

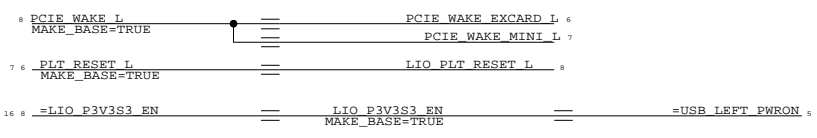
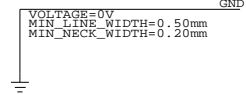
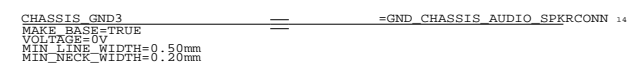
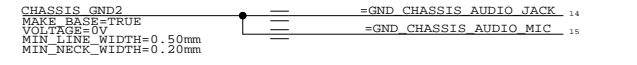
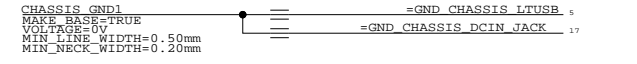
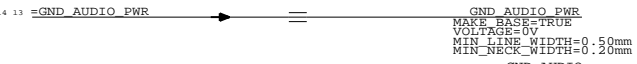
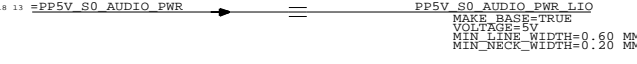
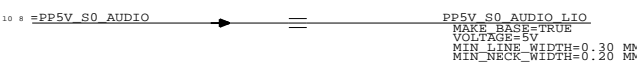
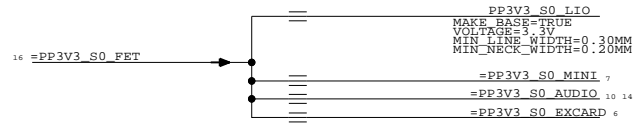
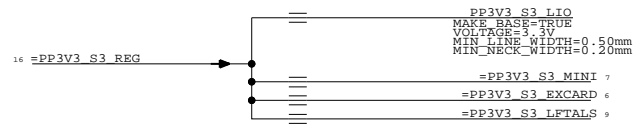
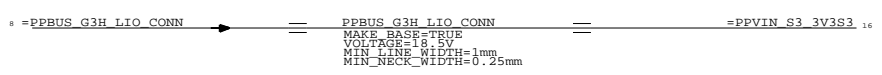
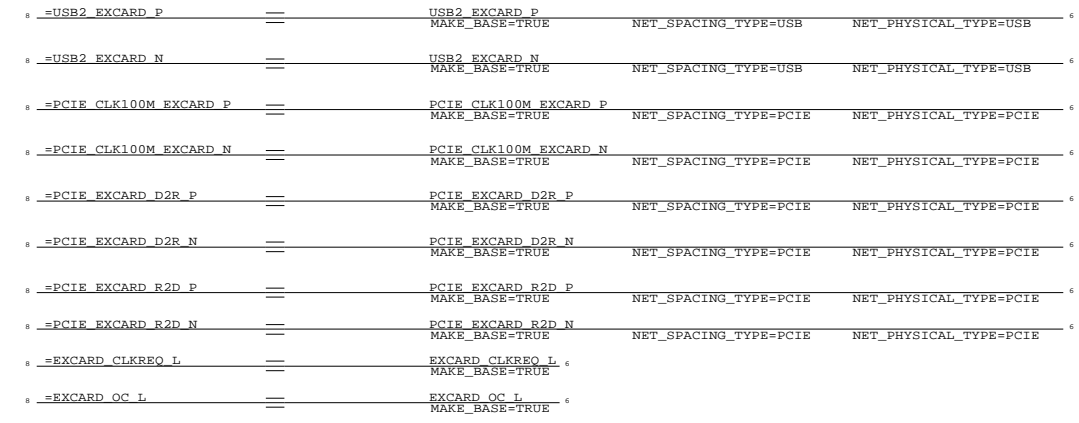
3

2

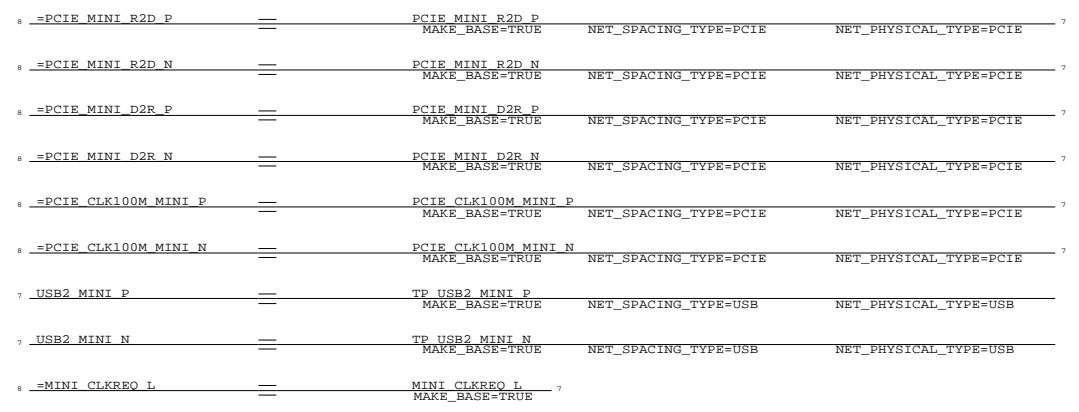
1

POWER & GROUNDS

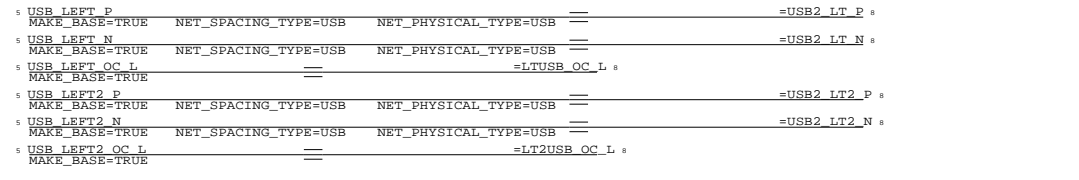
PCI-E EXPRESS CARD 34



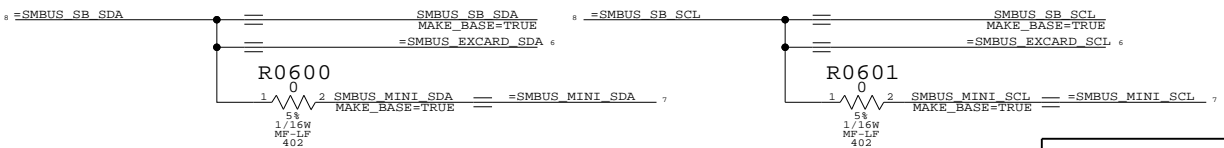
PCI-E MINICARD



USB



SMBUS



Aliases

SYNC_MASTER=(MASTER) SYNC_DATA=(MASTER)

NOTICE OF PROPRIETARY PROPERTY

THE INFORMATION CONTAINED HEREIN IS THE PROPRIETARY PROPERTY OF APPLE COMPUTER, INC. THE POSSESSOR AGREES TO THE FOLLOWING

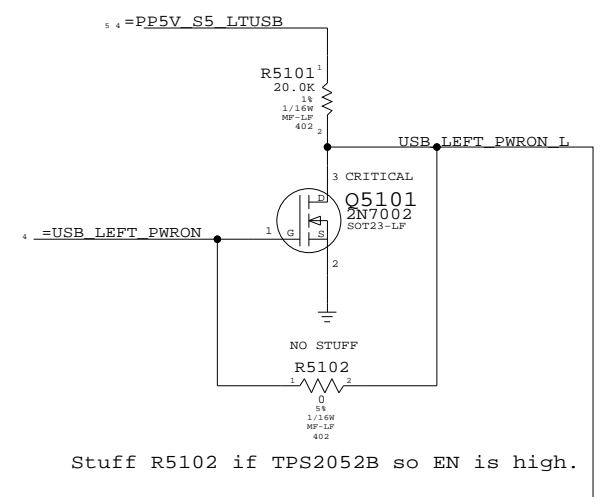
I TO MAINTAIN THE DOCUMENT IN CONFIDENCE

II NOT TO REPRODUCE OR COPY IT

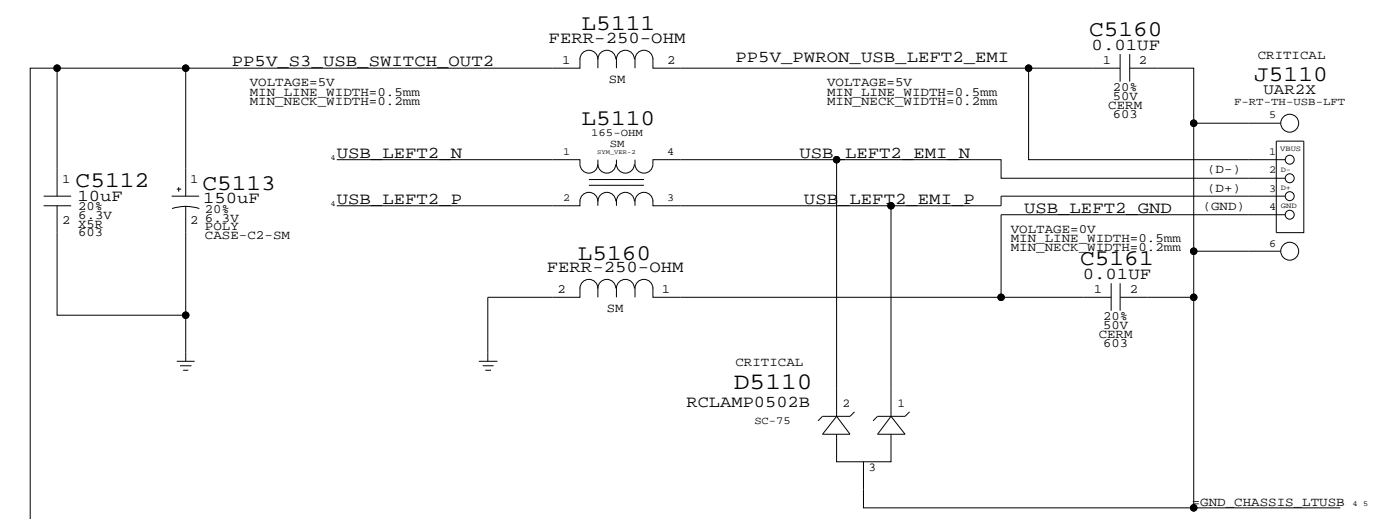
III NOT TO REVEAL OR PUBLISH IN WHOLE OR PART

APPLE COMPUTER INC.

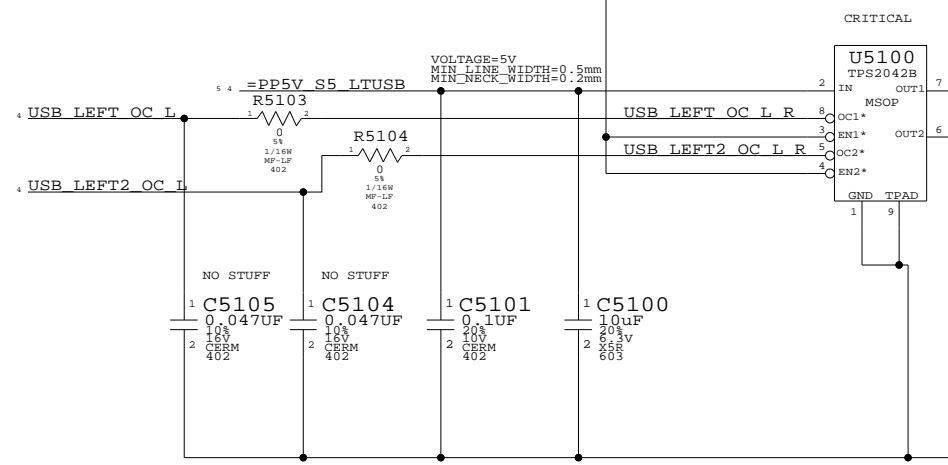
SIZE	DRAWING NUMBER	REV.
D	051-7066	A
SCALE	SHT	OF
NONE	6	104



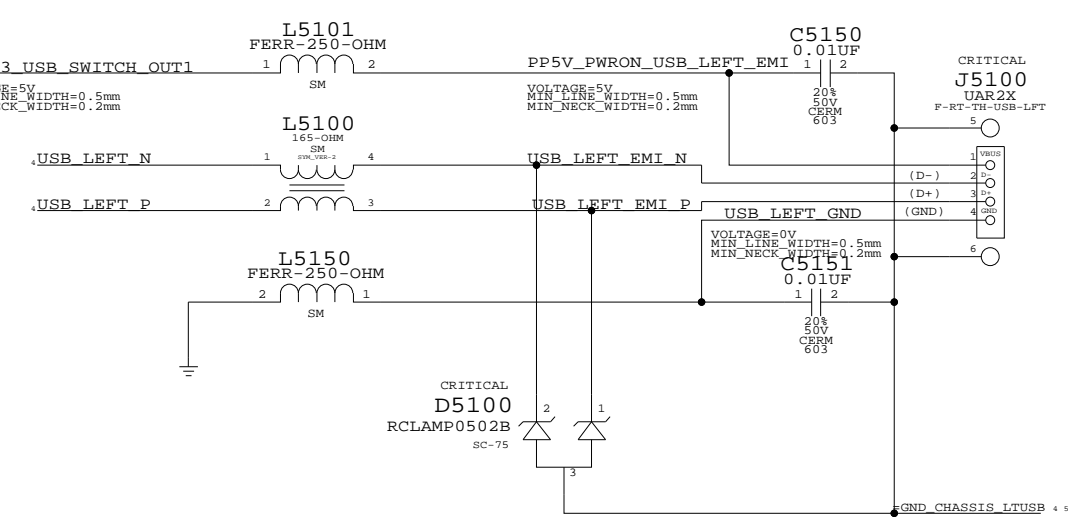
LEFT2 USB PORT



PUT L5110, L5111, AND L5160 ACROSS THE MOAT



LEFT USB PORT

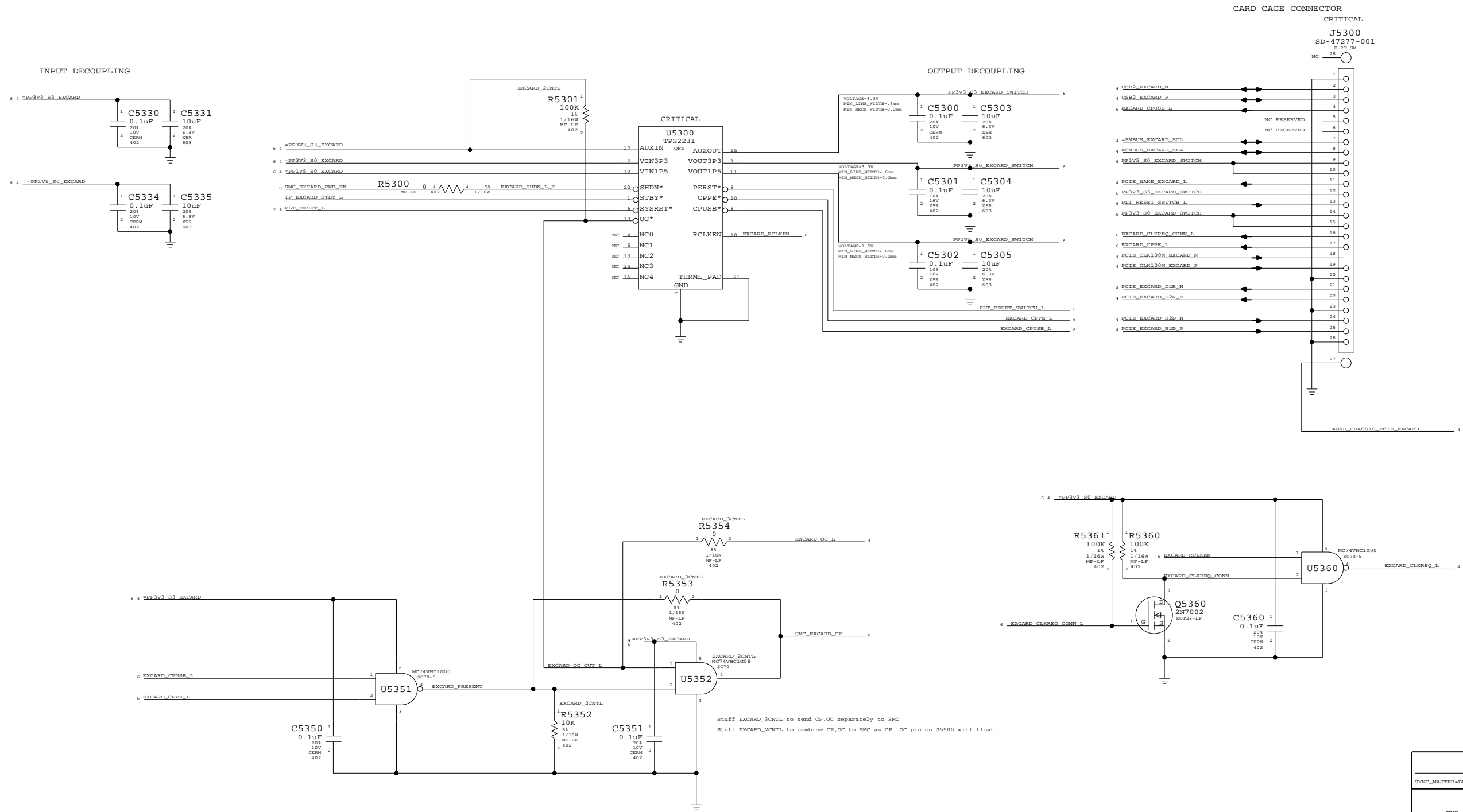


PUT L5100, L5101, AND L5150 ACROSS THE MOAT

Left USB Port
 SYNC_MASTER=(MASTER) SYNC_DATE=(MASTER)
 NOTICE OF PROPRIETARY PROPERTY
 THE INFORMATION CONTAINED HEREIN IS THE PROPRIETARY PROPERTY OF APPLE COMPUTER, INC. THE POSSESSOR AGREES TO THE FOLLOWING
 I TO MAINTAIN THE DOCUMENT IN CONFIDENCE
 II NOT TO REPRODUCE OR COPY IT
 III NOT TO REVEAL OR PUBLISH IN WHOLE OR PART

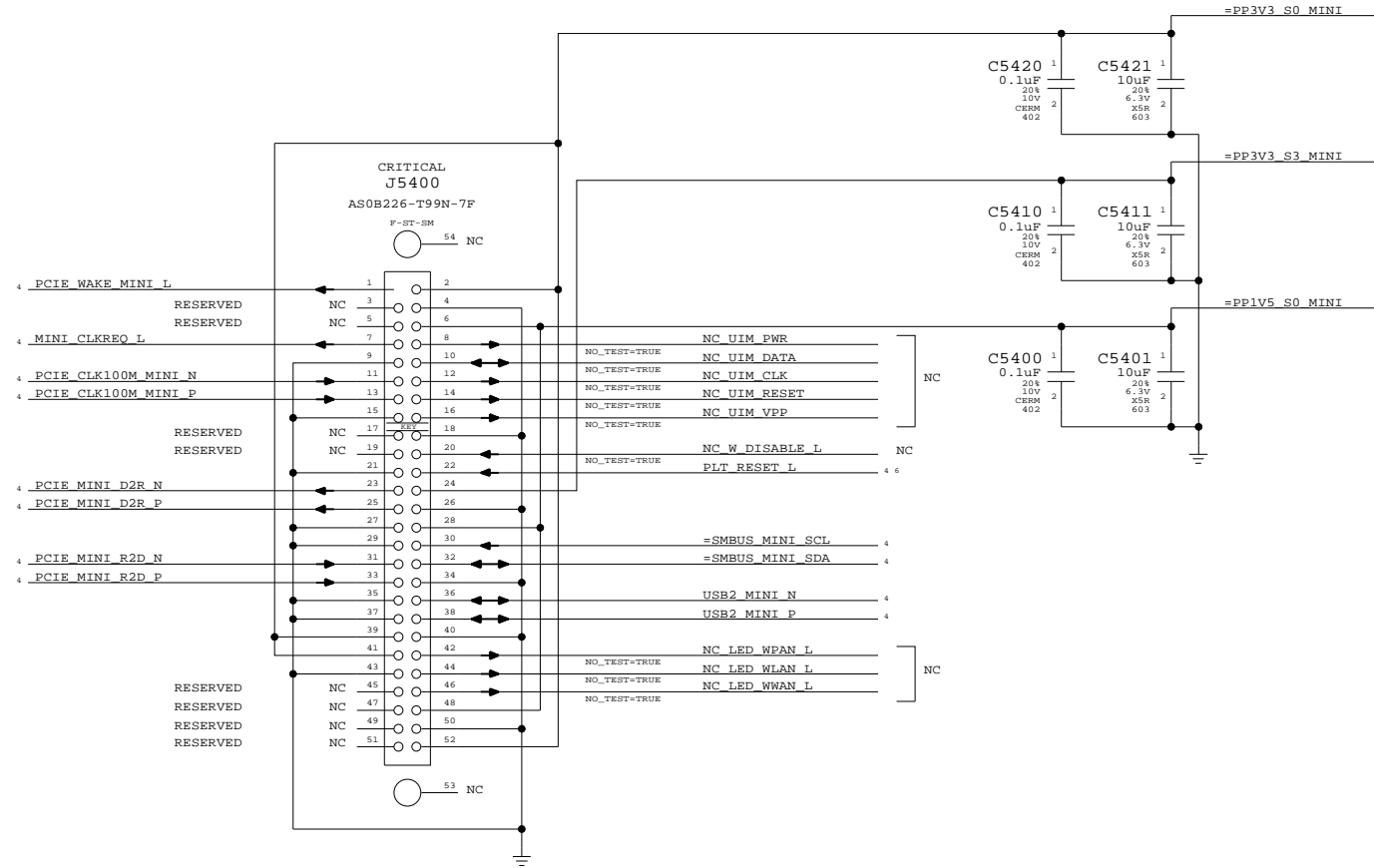
APPLE COMPUTER INC.	SIZE	DRAWING NUMBER	REV.
	D	051-7066	A
SCALE	SHT	OF	
NONE	51	104	

EXPRESSCARD/34 TOP MOUNT CONNECTOR



APPLE COMPUTER INC.	SIZE	DRAWING NUMBER	REV.
	NONE	D 051-7066	A
SCALE		SHT	OF
NONE		53	104

PCI-EXPRESS MINI CARD CONNECTOR



PCI-E MiniCard Connector
 SYNC_MASTER=BUZZ SYNC_DATE=03/29/2006
NOTICE OF PROPRIETARY PROPERTY
 THE INFORMATION CONTAINED HEREIN IS THE PROPRIETARY PROPERTY OF APPLE COMPUTER, INC. THE POSSESSOR AGREES TO THE FOLLOWING
 I TO MAINTAIN THE DOCUMENT IN CONFIDENCE
 II NOT TO REPRODUCE OR COPY IT
 III NOT TO REVEAL OR PUBLISH IN WHOLE OR PART

APPLE COMPUTER INC.	SIZE	DRAWING NUMBER	REV.
	D	051-7066	A
SCALE	SHT		OF
NONE	54		104

8

7

6

5

4

3

2

1

D

D

C

C

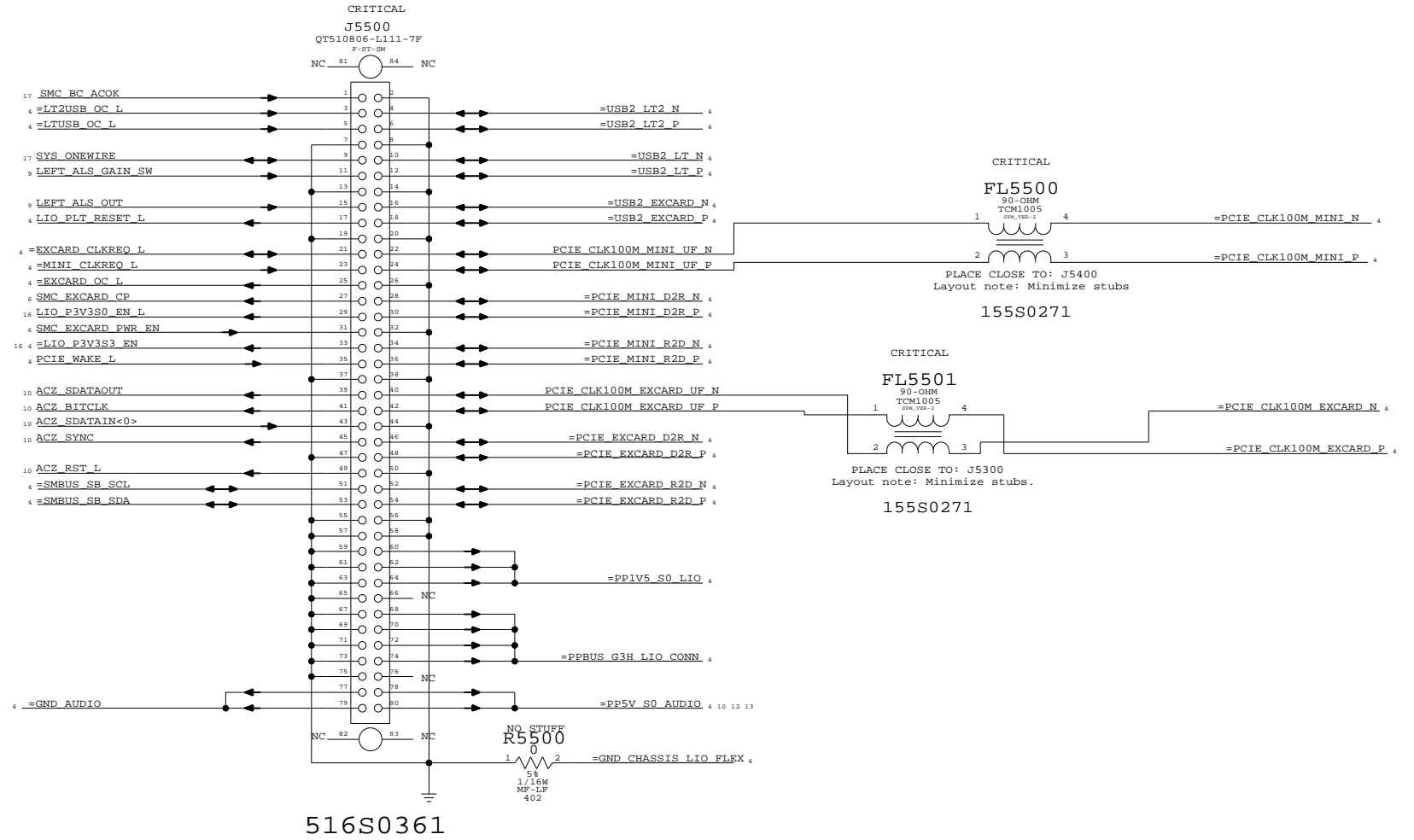
B

B

A

A

Left I/O Board Connector



MLB I/O Board Connector

SYNC_MASTER=(MASTER) SYNC_DATE=(MASTER)

NOTICE OF PROPRIETARY PROPERTY

THE INFORMATION CONTAINED HEREIN IS THE PROPRIETARY PROPERTY OF APPLE COMPUTER, INC. THE POSSESSOR AGREES TO THE FOLLOWING

I TO MAINTAIN THE DOCUMENT IN CONFIDENCE

II NOT TO REPRODUCE OR COPY IT

III NOT TO REVEAL OR PUBLISH IN WHOLE OR PART

APPLE COMPUTER INC.	SIZE	DRAWING NUMBER	REV.
	D	051-7066	A
SCALE	NONE	SHT	55 OF 104

8

7

6

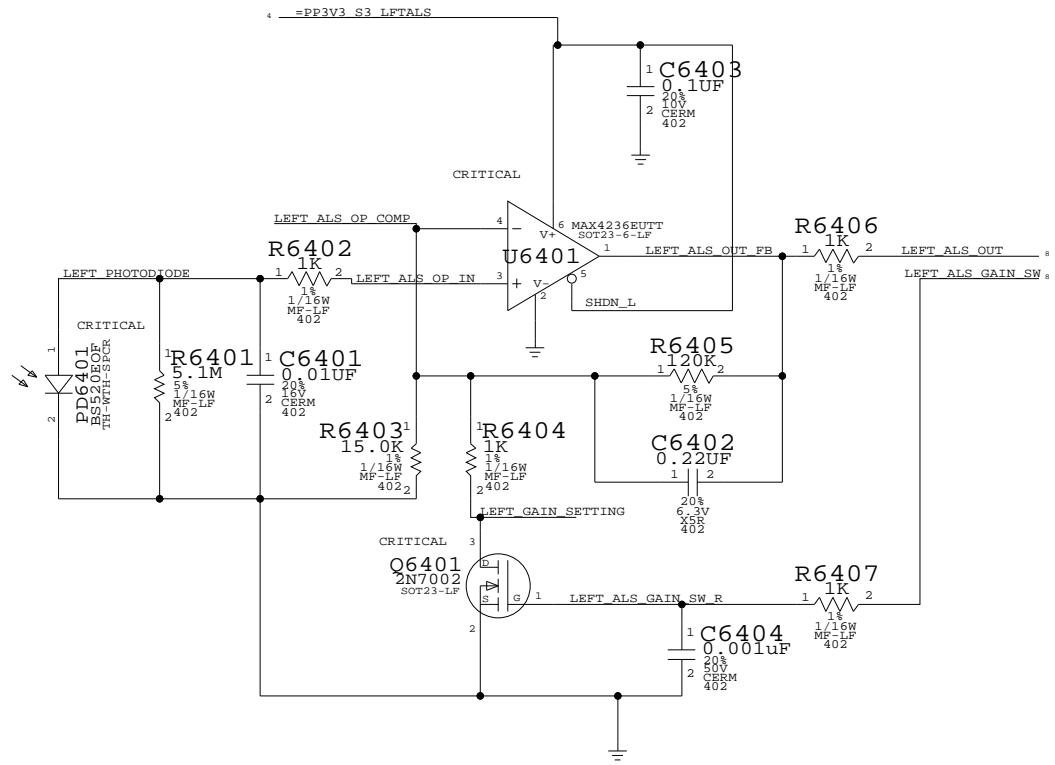
5

4

3

2

1




Left ALS

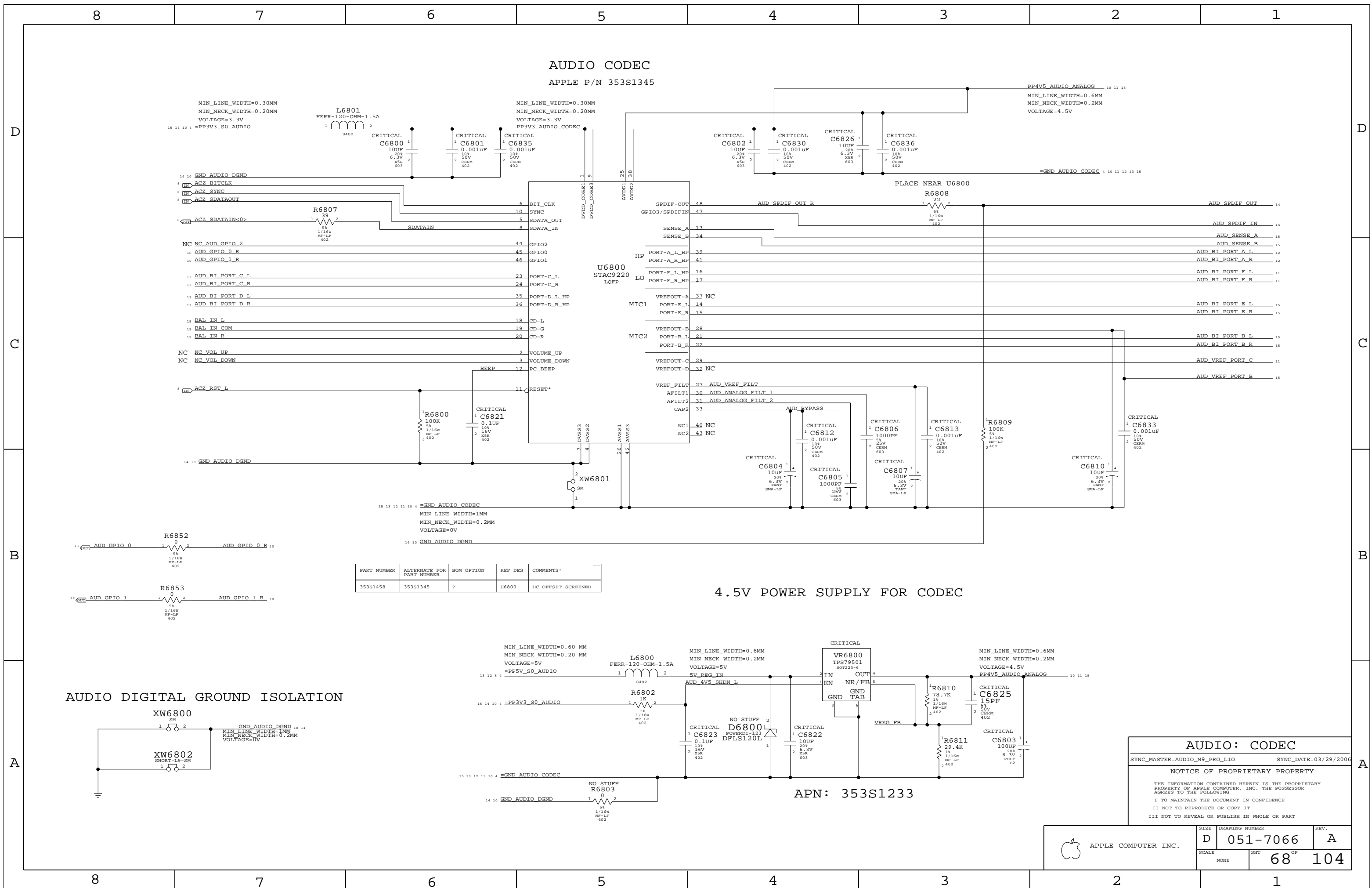
SYNC_MASTER=(MASTER) SYNC_DATE=(MASTER)

NOTICE OF PROPRIETARY PROPERTY

THE INFORMATION CONTAINED HEREIN IS THE PROPRIETARY PROPERTY OF APPLE COMPUTER, INC. THE POSSESSOR AGREES TO THE FOLLOWING

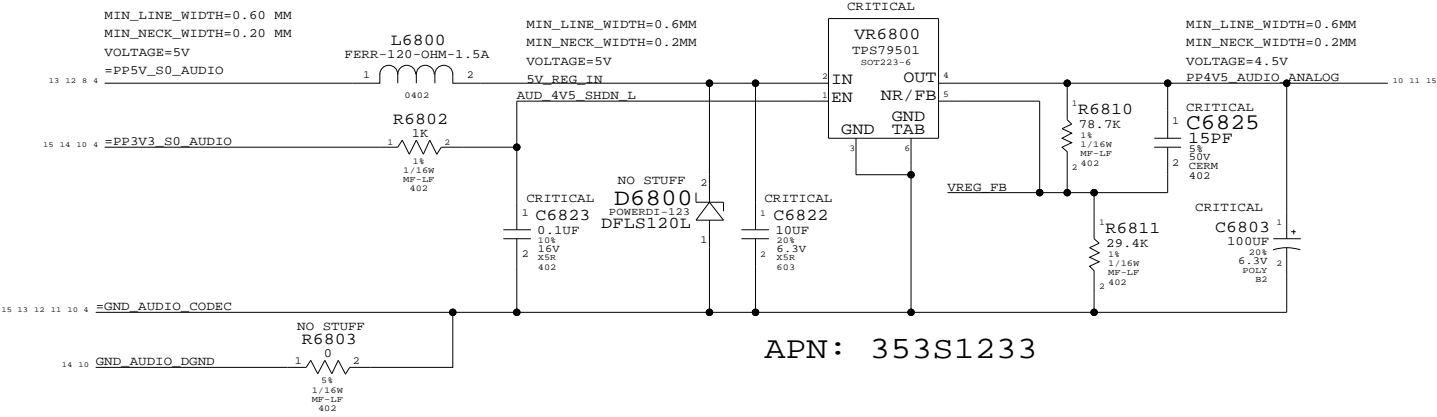
I TO MAINTAIN THE DOCUMENT IN CONFIDENCE
 II NOT TO REPRODUCE OR COPY IT
 III NOT TO REVEAL OR PUBLISH IN WHOLE OR PART

 APPLE COMPUTER INC.	SIZE	DRAWING NUMBER	REV.
	D	051-7066	A
SCALE	SHT	64 OF 104	
NONE			

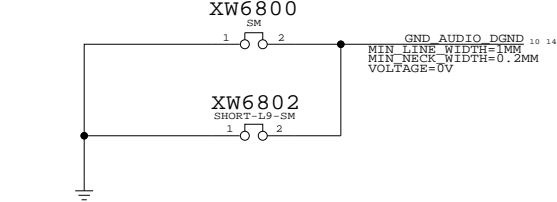


PART NUMBER	ALTERNATE FOR PART NUMBER	BOM OPTION	REF DES	COMMENTS:
353S1458	353S1345	?	U6800	DC OFFSET SCREENED

4.5V POWER SUPPLY FOR CODEC



AUDIO DIGITAL GROUND ISOLATION



AUDIO: CODEC		
SYNC_MASTER=AUDIO_M9_PRO_LIO		REV. A
NOTICE OF PROPRIETARY PROPERTY		
THE INFORMATION CONTAINED HEREIN IS THE PROPRIETARY PROPERTY OF APPLE COMPUTER, INC. THE POSSESSOR AGREES TO THE FOLLOWING		
I TO MAINTAIN THE DOCUMENT IN CONFIDENCE		
II NOT TO REPRODUCE OR COPY IT		
III NOT TO REVEAL OR PUBLISH IN WHOLE OR PART		

APPLE COMPUTER INC.	SIZE	DRAWING NUMBER	REV.
	NONE	051-7066	A
SCALE	SHT	68	OF 104

8

7

6

5

4

3

2

1

D

D

C

C

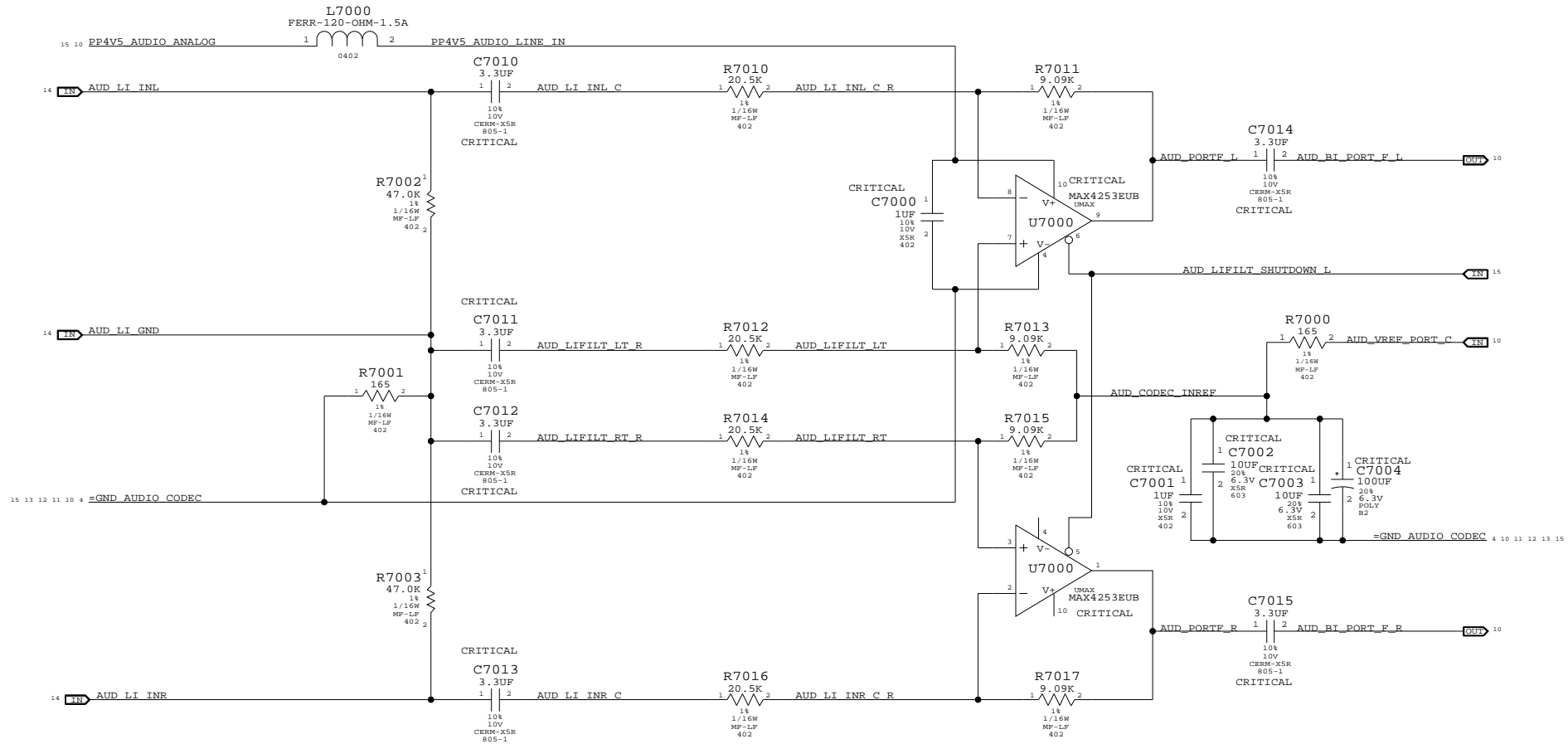
B

B

A

A

Pseudo-Diff Line-In Filter
 GAIN = -7.1DB AV = 0.44
 FC = 2.4 HZ



AUDIO: LINE IN
 SYNC_MASTER=AUDIO_M9_PRO_LIO SYNC_DATE=03/29/2006
 NOTICE OF PROPRIETARY PROPERTY
 THE INFORMATION CONTAINED HEREIN IS THE PROPRIETARY PROPERTY OF APPLE COMPUTER, INC. THE POSSESSOR AGREES TO THE FOLLOWING
 I TO MAINTAIN THE DOCUMENT IN CONFIDENCE
 II NOT TO REPRODUCE OR COPY IT
 III NOT TO REVEAL OR PUBLISH IN WHOLE OR PART

APPLE COMPUTER INC.	SIZE	DRAWING NUMBER	REV.
	D	051-7066	A
SCALE	NONE	SHT	70 OF 104

8

7

6

5

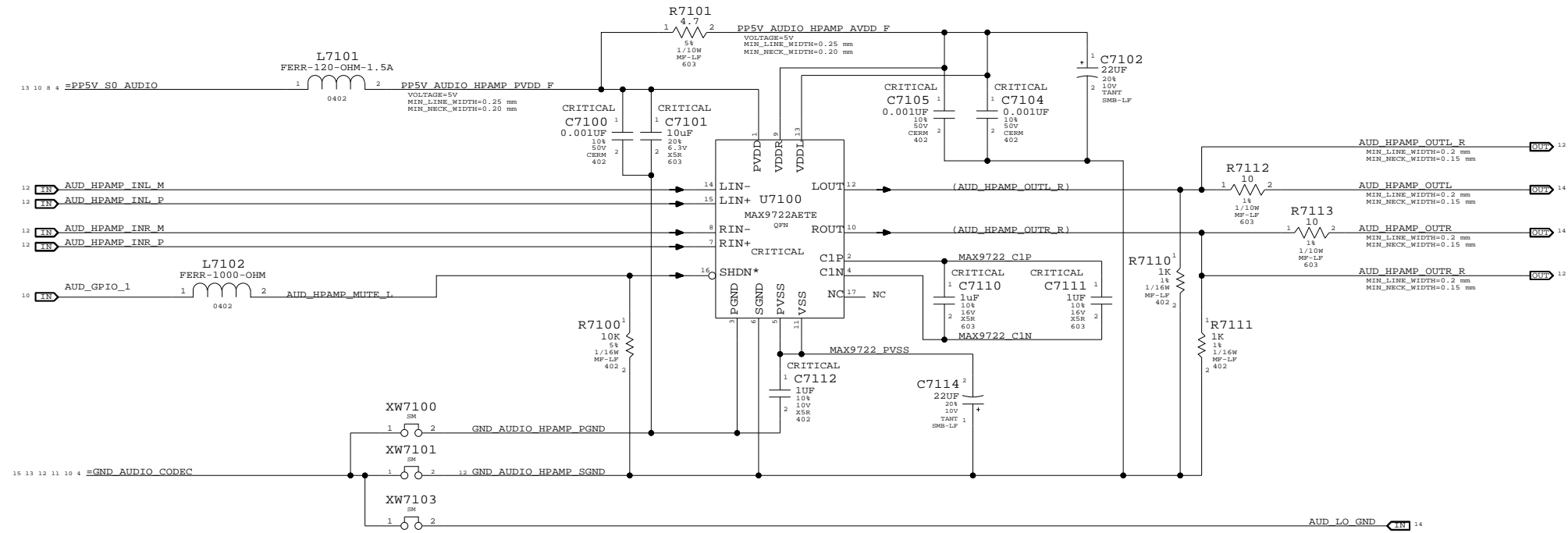
4

3

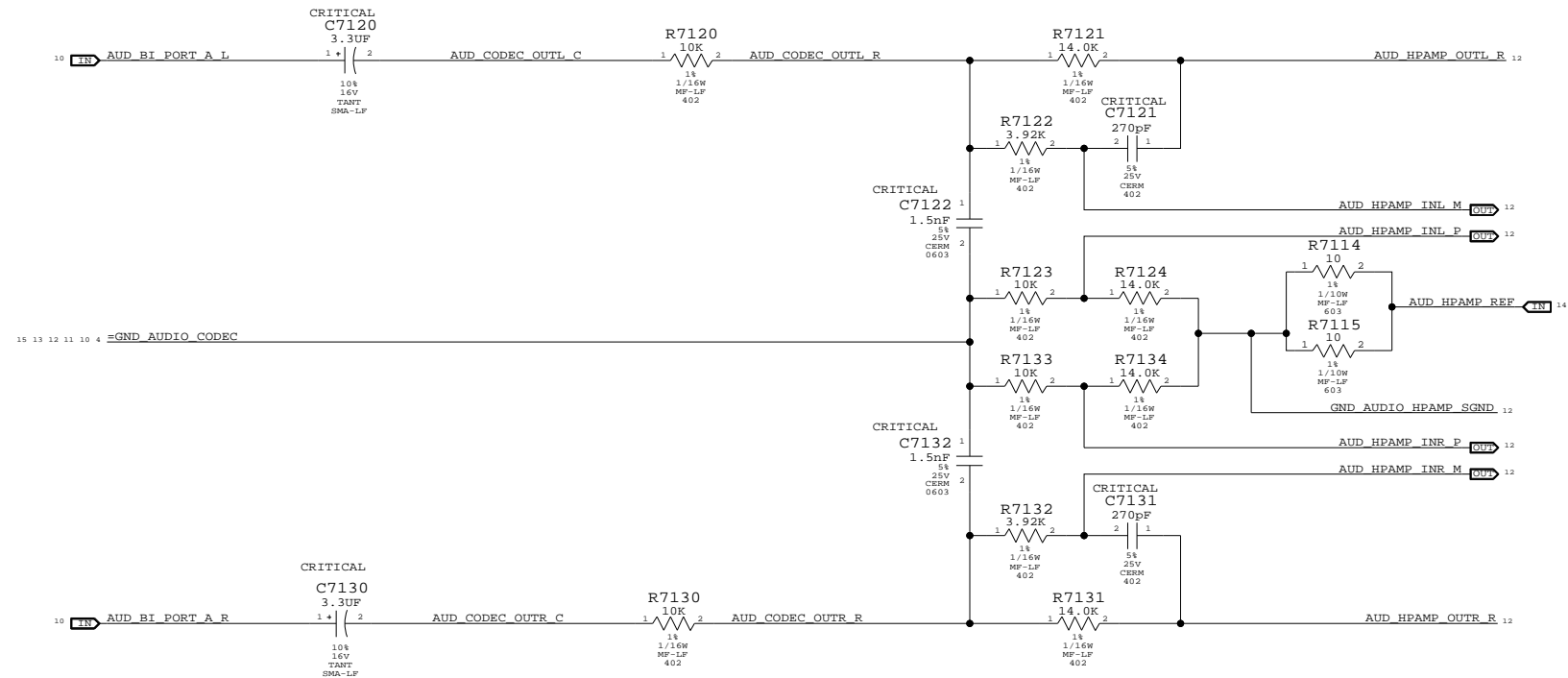
2

1

Headphone Amplifier (MAX9722)
 APN:353S0959
 VOLTAGE GAIN:1.4



2nd Order DAC Filter
 HP:4.8 HZ



AUDIO: HEADPHONE AMP

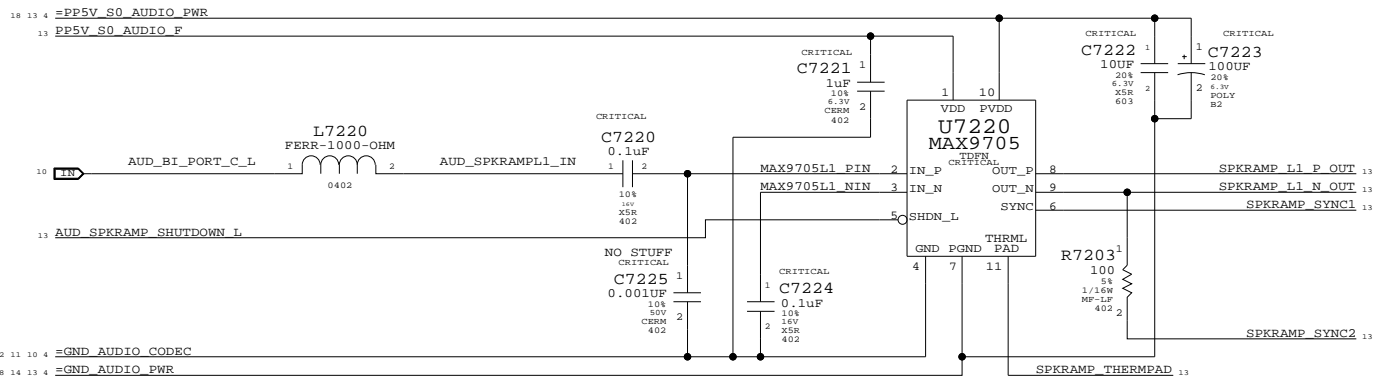
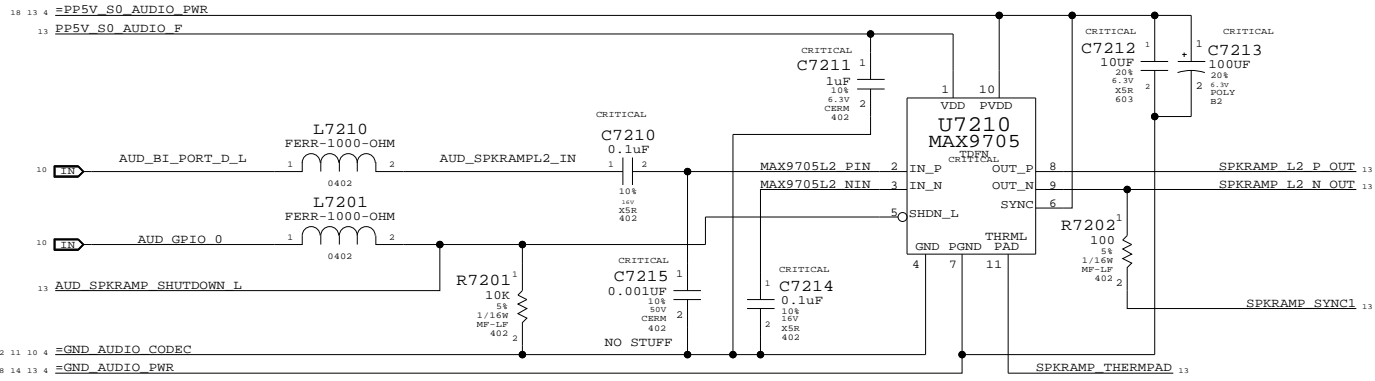
SYNC_MASTER=AUDIO_M9_PRO_LIO SYNC_DATE=03/29/2006

NOTICE OF PROPRIETARY PROPERTY

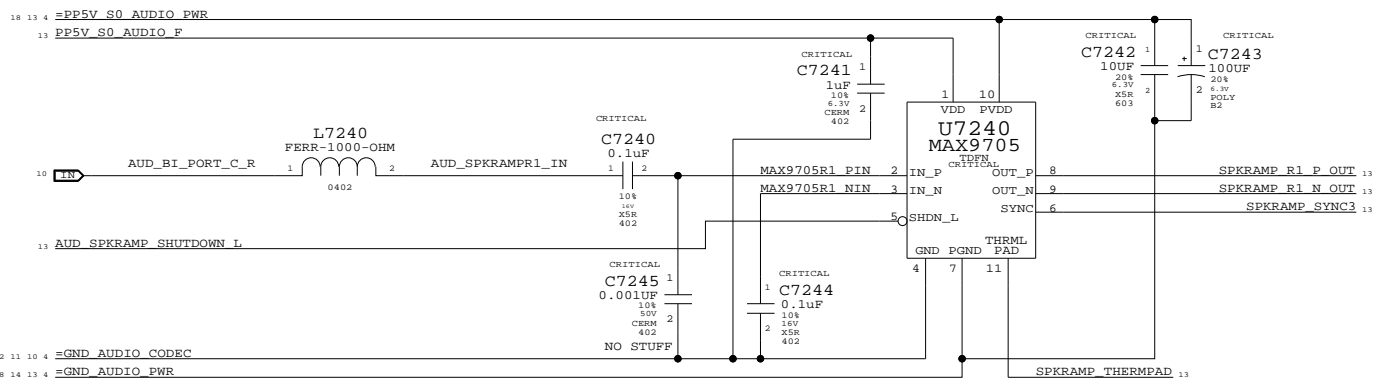
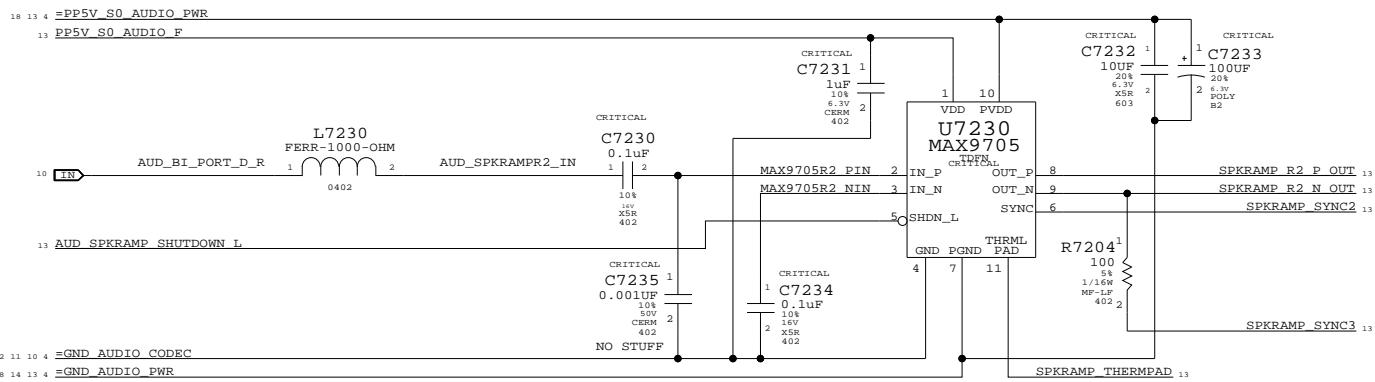
THE INFORMATION CONTAINED HEREIN IS THE PROPRIETARY PROPERTY OF APPLE COMPUTER, INC. THE POSSESSOR AGREES TO THE FOLLOWING
 I TO MAINTAIN THE DOCUMENT IN CONFIDENCE
 II NOT TO REPRODUCE OR COPY IT
 III NOT TO REVEAL OR PUBLISH IN WHOLE OR PART

APPLE COMPUTER INC.	SIZE	DRAWING NUMBER	REV.
	D	051-7066	A
SCALE	NONE	SHT	71 OF 104

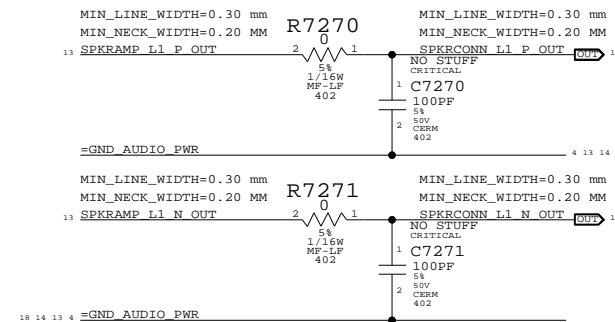
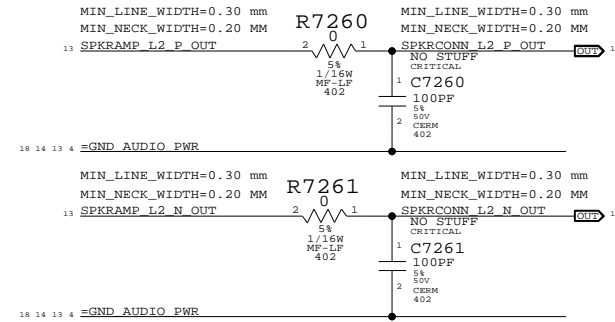
SPEAKER AMPLIFIERS (MAX9705) APN: 353S1355 TURN ON TIME: 30MS
 GAIN = 12DB 80 < FC < 132Hz TURN ON DELAY: 60MS



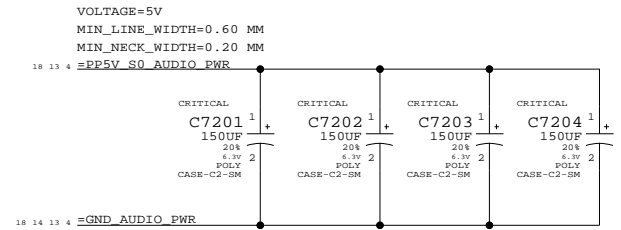
XW7200



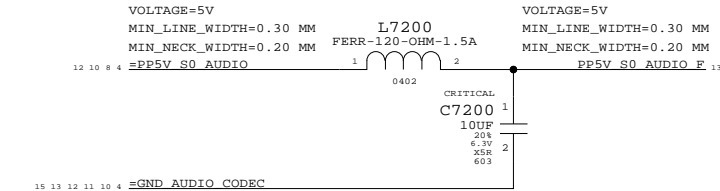
EMI FILTERS FOR AMPLIFIER OUTPUTS



POWER AMPLIFIER SUPPLY BULK CAPS



ANALOG POWER RAIL



AUDIO: SPEAKER AMP

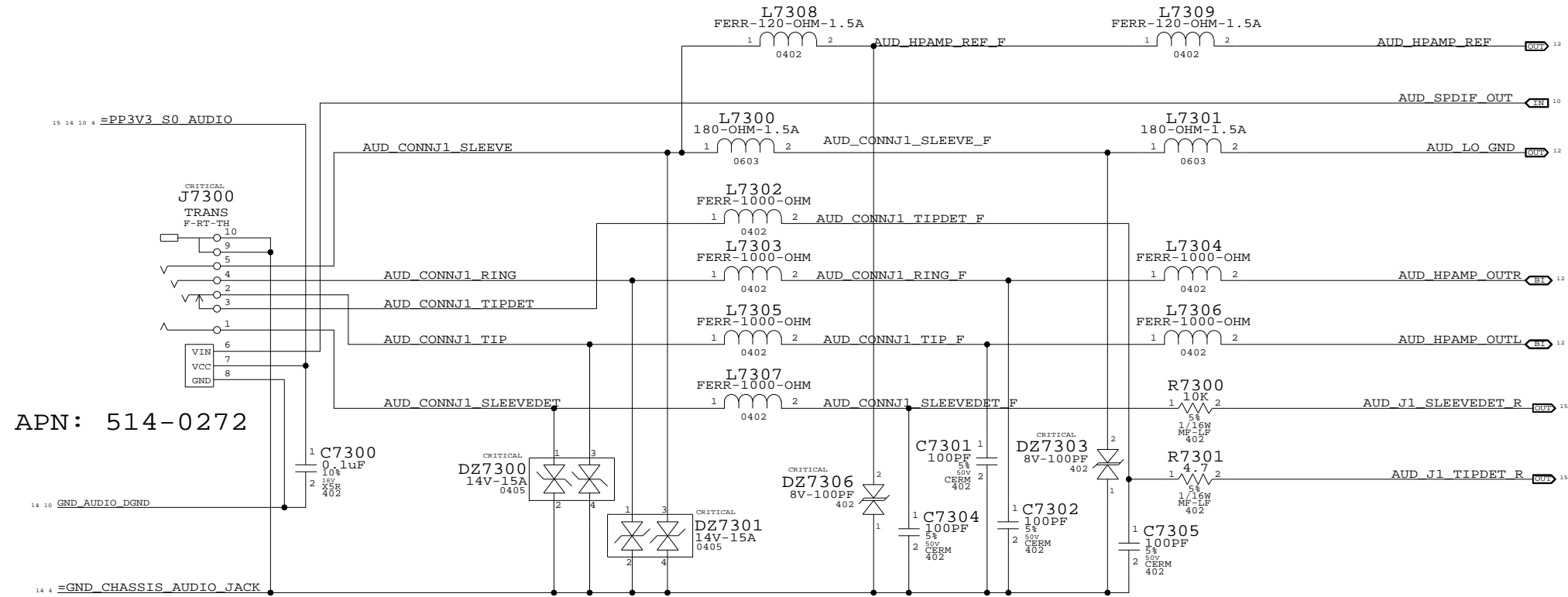
SYNC_MASTER=AUDIO_M9_PRO_LIO SYNC_DATE=03/29/2006

NOTICE OF PROPRIETARY PROPERTY

THE INFORMATION CONTAINED HEREIN IS THE PROPRIETARY PROPERTY OF APPLE COMPUTER, INC. THE POSSESSOR AGREES TO THE FOLLOWING
 I TO MAINTAIN THE DOCUMENT IN CONFIDENCE
 II NOT TO REPRODUCE OR COPY IT
 III NOT TO REVEAL OR PUBLISH IN WHOLE OR PART

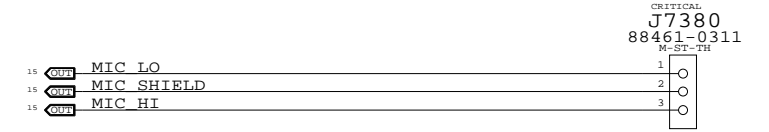
APPLE COMPUTER INC.	SIZE	DRAWING NUMBER	REV.
	D	051-7066	A
SCALE	NONE	SHT	72 OF 104

AUDIO JACK 1 LO/HP CONNECTOR, SPDIF TX

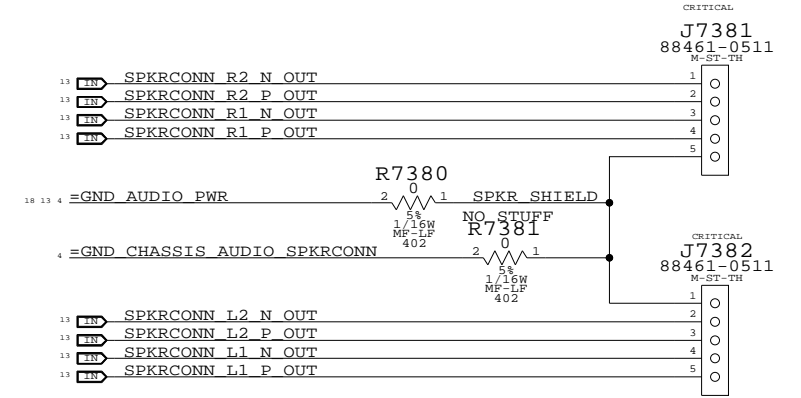


APN: 514-0272

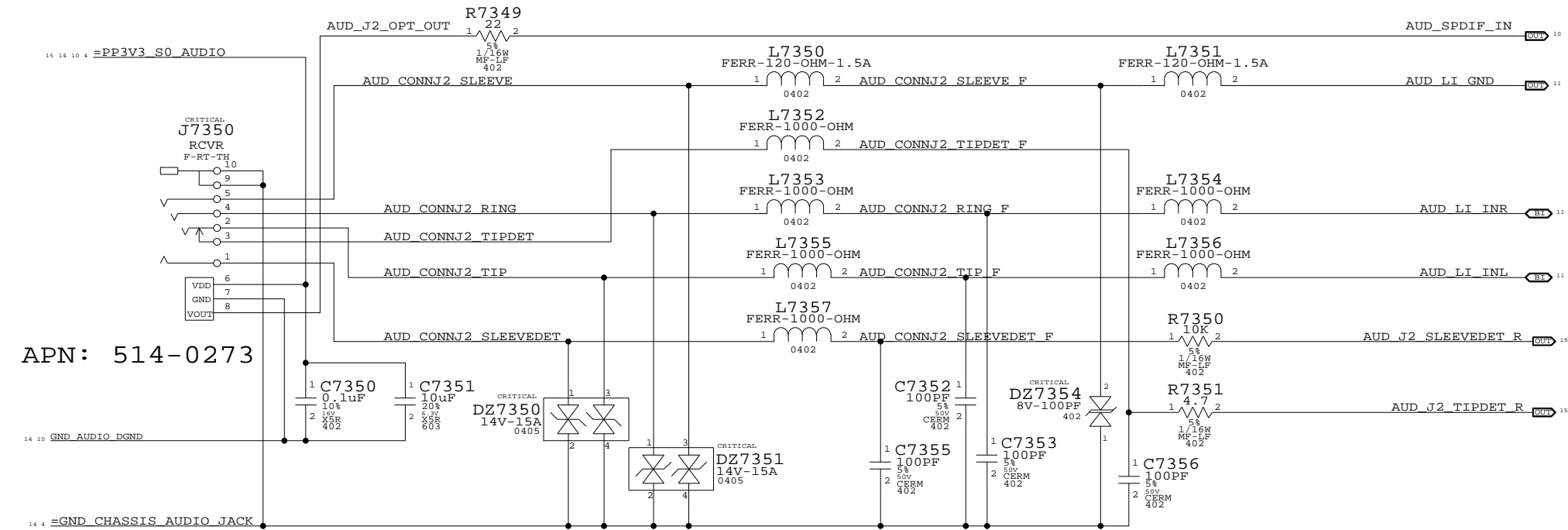
MIC CONNECTOR
APN: 518-0230



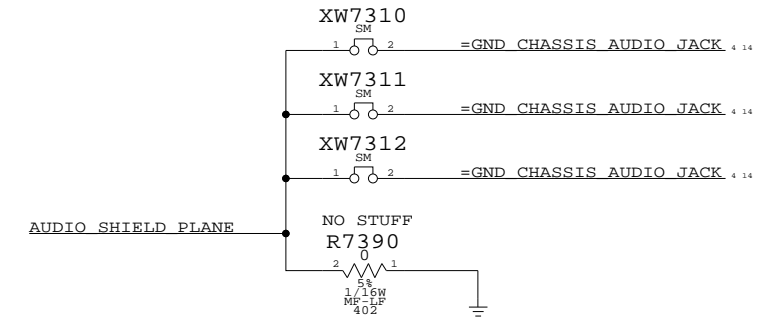
SPEAKER CONNECTORS
APN: 518-0229



AUDIO JACK 2 LINE IN CONNECTOR, SPDIF RX



APN: 514-0273



AUDIO SHIELD
(FILLED SHAPE)

AUDIO: JACKS

SYNC_MASTER=AUDIO_M9_PRO_LIO SYNC_DATE=03/29/2006

NOTICE OF PROPRIETARY PROPERTY

THE INFORMATION CONTAINED HEREIN IS THE PROPRIETARY PROPERTY OF APPLE COMPUTER, INC. THE POSSESSOR AGREES TO THE FOLLOWING
I TO MAINTAIN THE DOCUMENT IN CONFIDENCE
II NOT TO REPRODUCE OR COPY IT
III NOT TO REVEAL OR PUBLISH IN WHOLE OR PART

APPLE COMPUTER INC.	SIZE	DRAWING NUMBER	REV.
	D	051-7066	A
SCALE	NONE	SHT	73 OF 104

D

C

B

A

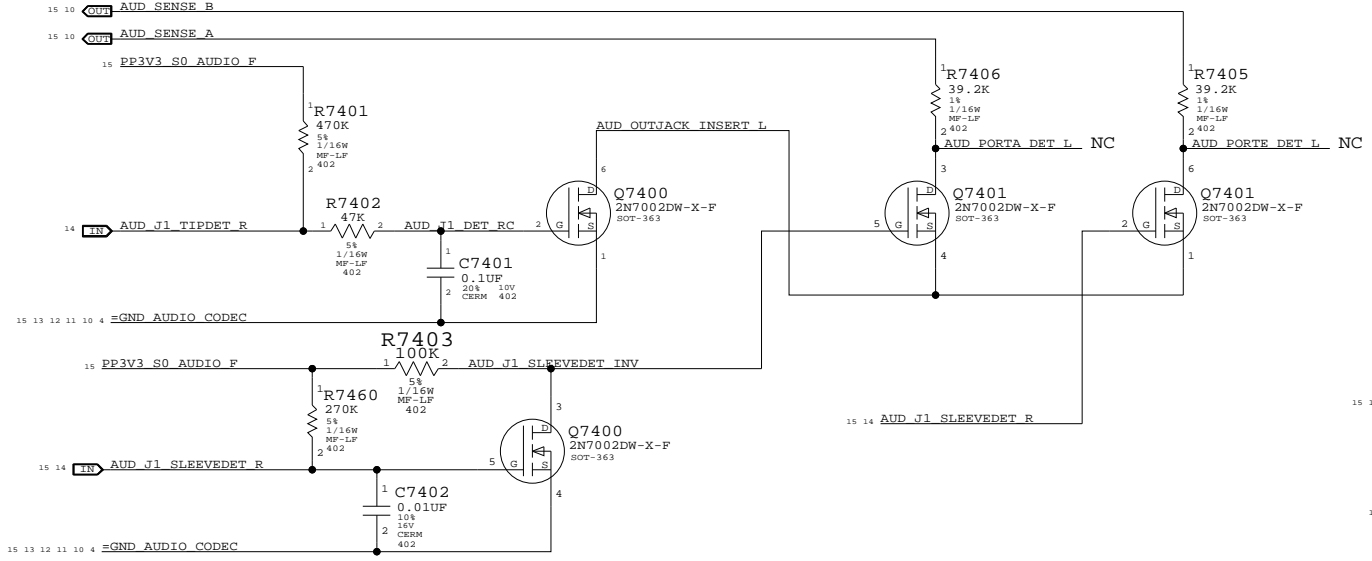
D

C

B

A

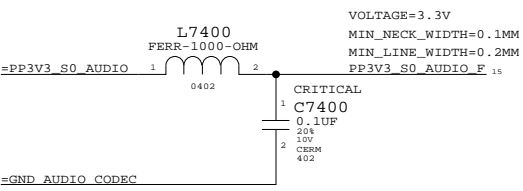
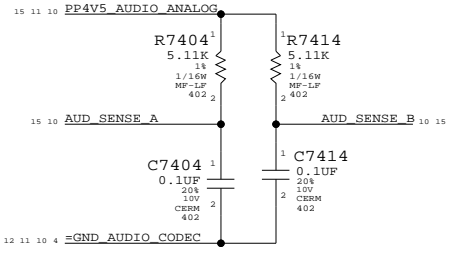
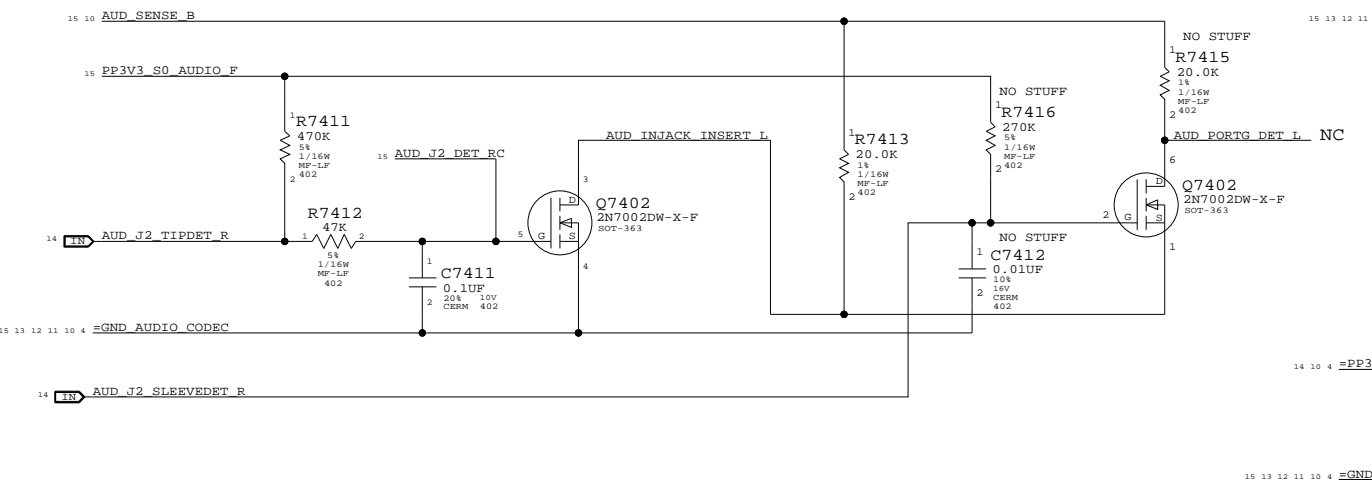
PORT A DETECT PORT E DETECT(E TELLS H TO TURN ON)



CODEC PORT ASSIGNMENTS

- PORT A : HEADPHONE/LINE OUT
- PORT B : MICROPHONE ON BOTH CH (ADC 0)
- PORT C : TRANSDUCER 1 ON LEFT/RIGHT SPEAKER
- PORT D : TRANSDUCER 2 ON LEFT/RIGHT SPEAKER
- PORT E : SW USES TO TRIGGER DIGITAL OUT
- PORT F : LINE IN (ADC 1)
- CD INPUT : UNUSED

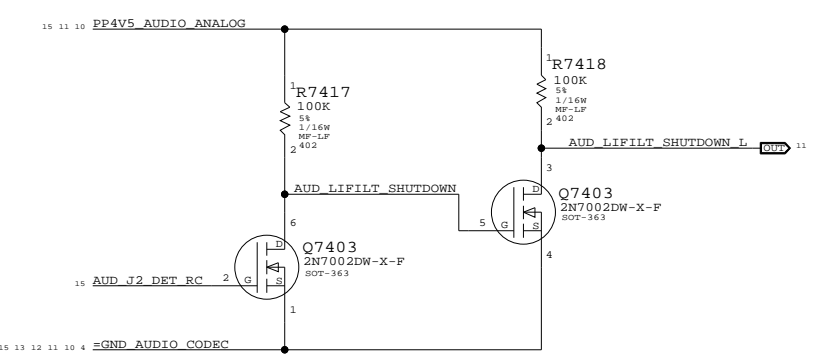
PORT F DETECT PORT G DETECT



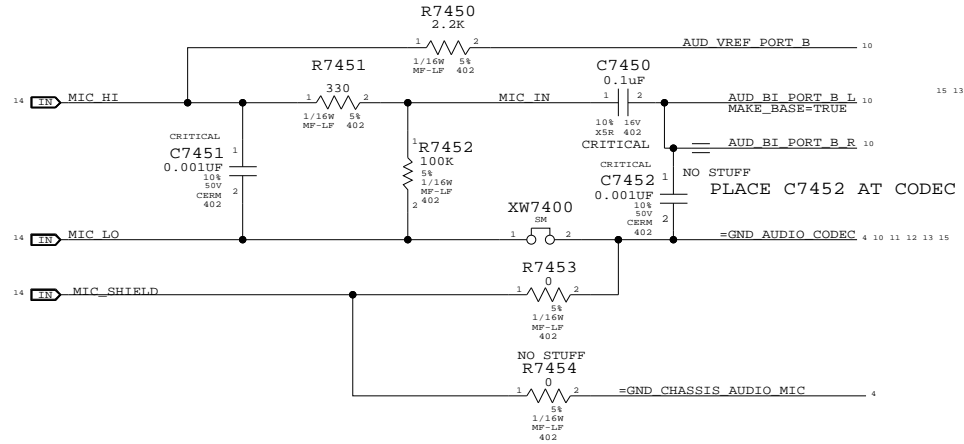
UNUSED CODEC ANALOG PORT TERMINATIONS



LINE IN FILTER SHUTDOWN CONTROL

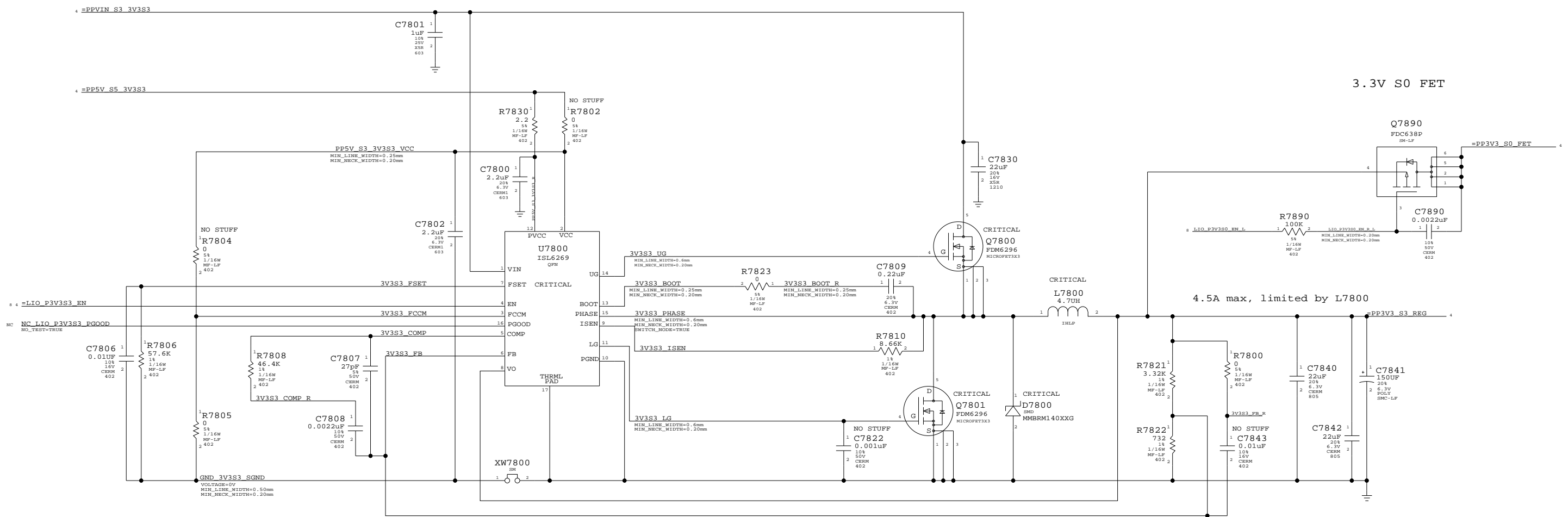


MIC INPUT CIRCUITRY



AUDIO: JACK TRANSLATORS
 SYNC_MASTER=AUDIO_M9_PRO_L10 SYNC_DATE=03/29/2006
NOTICE OF PROPRIETARY PROPERTY
 THE INFORMATION CONTAINED HEREIN IS THE PROPRIETARY PROPERTY OF APPLE COMPUTER, INC. THE POSSESSOR AGREES TO THE FOLLOWING
 I TO MAINTAIN THE DOCUMENT IN CONFIDENCE
 II NOT TO REPRODUCE OR COPY IT
 III NOT TO REVEAL OR PUBLISH IN WHOLE OR PART

3.3V S3/S0 Power Supply



PART NUMBER	ALTERNATE FOR PART NUMBER	BOM OPTION	REF DES	COMMENTS:
376S0448	376S0445		ALL	

3.3V Supply

SYNC_MASTER=BUZZ SYNC_DATE=03/29/2006

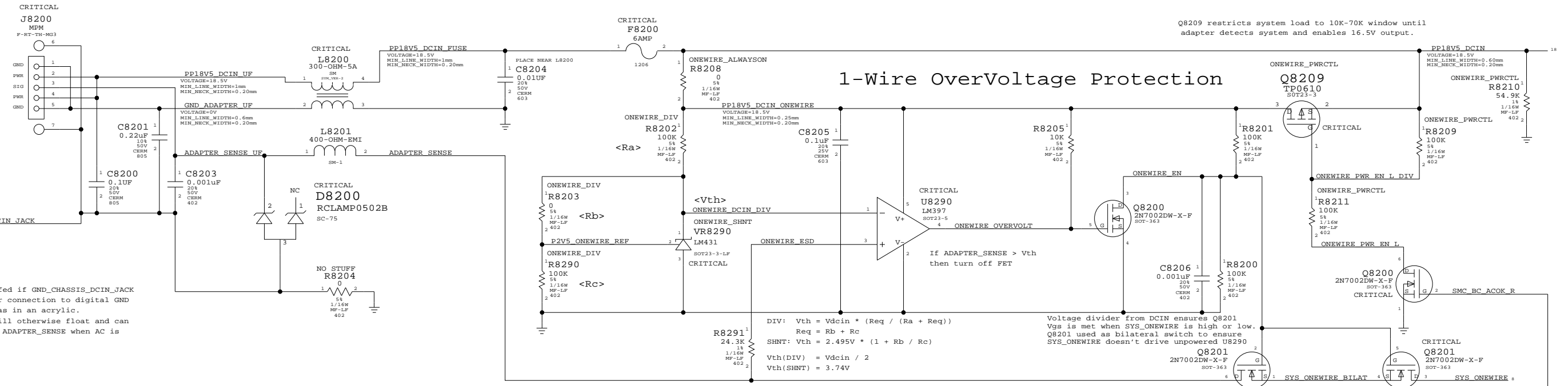
NOTICE OF PROPRIETARY PROPERTY

THE INFORMATION CONTAINED HEREIN IS THE PROPRIETARY PROPERTY OF APPLE COMPUTER, INC. THE POSSESSOR AGREES TO THE FOLLOWING

I TO MAINTAIN THE DOCUMENT IN CONFIDENCE
 II NOT TO REPRODUCE OR COPY IT
 III NOT TO REVEAL OR PUBLISH IN WHOLE OR PART

APPLE COMPUTER INC.	SIZE	DRAWING NUMBER	REV.
	D	051-7066	A
SCALE	SHT	OF	
NONE	78	104	

DC Power Jack



R8204 should be stuffed if GND_CHASSIS_DCIN_JACK does not have another connection to digital GND in the system, such as in an acrylic. The chassis ground will otherwise float and can send transients onto ADAPTER_SENSE when AC is connected.

PART NUMBER	QTY	DESCRIPTION	REFERENCE DES	CRITICAL	BOM OPTION
116S0085	1	RES, 6.2K, 5%, 1/16W, 0402, LF	R8202		ONEWIRE_SHNT
114S0315	1	RES, 10K, 1%, 1/16W, 0402, LF	R8203		ONEWIRE_SHNT
114S0343	1	RES, 20K, 1%, 1/16W, 0402, LF	R8290		ONEWIRE_SHNT

ONEWIRE_SHNT BOM option allows the use of an adjustable shunt voltage regulator to provide the reference to the LM397 comparator. This allows the protection circuit to enforce a -3.7V max signal on ADAPTER_SENSE instead of the voltage divider DCIN/2 approach.
R8202 value ensures mA current for DCIN >= 13.4V per LM431 spec.

DC-In & Battery Connectors
 SYNC_MASTER=(MASTER) SYNC_DATE=(MASTER)
NOTICE OF PROPRIETARY PROPERTY
 THE INFORMATION CONTAINED HEREIN IS THE PROPRIETARY PROPERTY OF APPLE COMPUTER, INC. THE POSSESSOR AGREES TO THE FOLLOWING
 I TO MAINTAIN THE DOCUMENT IN CONFIDENCE
 II NOT TO REPRODUCE OR COPY IT
 III NOT TO REVEAL OR PUBLISH IN WHOLE OR PART

APPLE COMPUTER INC.	SIZE	DRAWING NUMBER	REV.
	D	051-7066	A
SCALE	SHT		OF
NONE	82		104

8

7

6

5

4

3

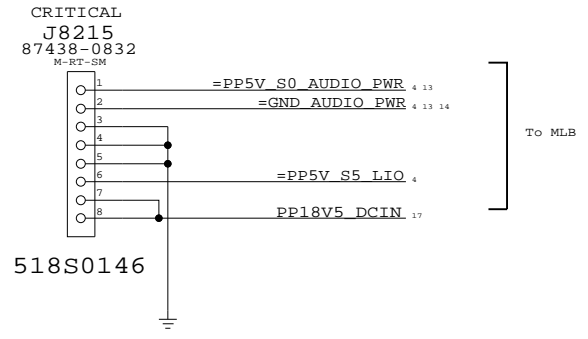
2

1

D

D

Left I/O Power Connector



C

C

B

B

A

A

LEFT I/O POWER CONNECTOR

SYNC MASTER=(MASTER) SYNC DATE=(MASTER)


NOTICE OF PROPRIETARY PROPERTY

THE INFORMATION CONTAINED HEREIN IS THE PROPRIETARY PROPERTY OF APPLE COMPUTER, INC. THE POSSESSOR AGREES TO THE FOLLOWING

I TO MAINTAIN THE DOCUMENT IN CONFIDENCE

II NOT TO REPRODUCE OR COPY IT

III NOT TO REVEAL OR PUBLISH IN WHOLE OR PART

 APPLE COMPUTER INC.	SIZE	DRAWING NUMBER	REV.
	D	051-7066	A
SCALE	SHT		
NONE	84 OF		104

8

7

6

5

4

3

2

1

CHANGE LIST

1/27/06

BEGINNING OF EVT TO EVT2 CHANGES ON ALT_LIO_EVT DIRECTORY
CHANGED PD6401 SYMBOL TO SPACER JEDEC PACK TYPE.
CHANGED REV TO 03.

2/1/06:

PG 82.
CHANGED R8291 TO 24.3K ON 1-WIRE CKT TO MATCH M1 CKT.
ADDED C8207 AND R8292 ON Q8200 PIN 2 TO ADD ESD PROTECTION ON GATE OF Q8200.

2/2/06:

PG. 64.
ADDED ALS SPACER 815-8851 IN BOM TABLE. GOES WITH PD6401.
PG. 78
ADDED 337S0448 AS ALTERNATE FOR 337S0445 ON Q7800 AND Q7801.

2/6/06:

PG. 78
CHANGED R7890 TO 100K FOR <RDAR://PROBLEM/4435222> MOSFET CR: QUAL LIO BOARD 3.3V @ 1.8V
PG 82.
CORRECTED R8292 VALUE TO 1K PER <RDAR://PROBLEM/4426307> M9 EVT SYMPHONY: FLOATING FET GATE ON LIO CONNECTOR SHOULD HAVE ESD PROTECTION.

2/7/06:

PG 3.
MOVE ALL BOM TABLES TO PG 3. CORRECTED APN OF FETS IN ALTERNATE BOM TABLE.

2/9/06:

PG. 78
CHANGED R7810 TO 8.66K TO MATCH M1.

2/10/06:

PG. 51
ADDED R5103, C5105 AND R5104, C5104 TO USB_LEFT_OC_L AND USB_LEFT2_OC_L TO MATCH M1.

2/23/06:

REMOVE LEMENU BOMOPTION FROM CODEC. REMOVE BOM NUMBERS TABLE ALONG WITH LE_MENU & PROJ_PARTS BOMS. FLAT BOM NOW.
ADDED CRITICAL ATTRIBUTES TO Q5101, Q6401, U6401, DZ7303, DZ7306, DZ7354, Q8200, Q8201, Q8209
SYNCED FROM M1_LIO_MOSFET REV A.0.0
===CHANGED===

C7830 [ON PAGE(S) 78] CHANGED FROM CAP_1210-22UF,20%,16V,X7R TO CAP_1210-22UF,20%,16V,X5R
C7840 [ON PAGE(S) 78] CHANGED FROM CAP_805-22UF,20%,6.3V,X5R TO CAP_805-22UF,20%,6.3V,CERM
C7842 [ON PAGE(S) 78] CHANGED FROM CAP_805-22UF,20%,6.3V,X5R TO CAP_805-22UF,20%,6.3V,CERM

3/29/06:

PG. 82
CHANGED J8200 FROM 514-0282 TO 514-0348.


HISTORY- NON-AUDIO

SYNC_MASTER=(MASTER) SYNC_DATE=(MASTER)

NOTICE OF PROPRIETARY PROPERTY

THE INFORMATION CONTAINED HEREIN IS THE PROPRIETARY PROPERTY OF APPLE COMPUTER, INC. THE POSSESSOR AGREES TO THE FOLLOWING

- I TO MAINTAIN THE DOCUMENT IN CONFIDENCE
- II NOT TO REPRODUCE OR COPY IT
- III NOT TO REVEAL OR PUBLISH IN WHOLE OR PART

 APPLE COMPUTER INC.	SIZE	DRAWING NUMBER	REV.
	D	051-7066	A
SCALE	SHT		OF
NONE	100		104

CHANGE LIST

OCT 19 2005 : INITIAL RELEASE
 OCT 26 2005 : CHANGE ALL SPEAKER OUTPUT INDUCTORS TO 0 OHM SHORTING RESISTORS
 ADDED OPTIONAL SHORTING RESISTORS FROM AUDIO JACKS TO CHASSIS GROUND
 OCT 27 2005 : MOVE ESD DIODE NEARER TO JACK, DAISY CHAIN SYNC PIN ON SPEAKER AMPLIFIER
 FLIP SPEAKER CONNECTOR PIN ASSIGNMENT TO ACCOMODATE CABLE ROUTING
 NOV 03 2005 : CHANGE SPEAKER CONNECTOR J7380/J7381 TO 518S0053
 NOV 03 2005 : CHANGE SPEAKER CONNECTOR J7380/J7381 TO 518S0215(WHITE) AND 518S0316(BLACK)
 NOV 04 2005 : CHANGE SPEAKER CONNECTOR J7380/J7381 TO 518S0053
 NOV 07 2005 : ADDED PAGE 70, INPUT FILTER & 71, HEADPHONE AMPLIFIER
 DEC 01 2005 : CHANGE PIN OUT OF MIC CONNECTOR
 DEC 05 2005 : CHANGE MIC CONNECTOR TO APN 518-0152
 DEC 06 2005 : CHANGE Q7403 CIRCUITRY, ADDED R7418, REMOVED R7407
 CHANGE BOTH AUDIO 5V S0 RAIL TO S5
 DEC 07 2005 : CHANGE APN OF C7301, C7302, C7303 & C7304 TO 128S0081 TO REDUCE HEIGHT
 CHANGE PIN OUT OF MIC CONNECTOR TO MATCH SIREN PROTO
 DEC 08 2005 : UPDATE SYMBOL FOR 128S0081 TO MATCH LATEST LIBRARY SYMBOL
 CHANGE BOTH AUDIO 5V S5 RAIL TO S0
 DEC 20 2005 : ADDED CRITICAL ATTRIBUTE TO CONNECTORS
 CHANGE R7100 TO 10K
 DEC 23 2005 : REPLACE R7114/R7115 WITH XW7103, REMOVE XW7102, CHANGE C7112 TO 0402 10V
 CHANGE L7300/L7301 TO LOWER DCR 0603 FERRITE, CHANGE R7112/13 FROM 14 TO 10 OHMS
 REMOVE STUFFING OPTION FOR ALC882 CODEC, C6850/51/52, R6850/51/53/54
 REPLACE R6801 WITH XW6801, ISOLATED AUDIO DIGITAL GND THROUGH XW6800
 JAN 02 2006 : ADD "NC " PREFIX TO AUD_GPIO_2, VOL_UP, VOL_DOWN NETS, CHANGE C7112 TO 138S0578
 ADD ALTERNATE BOM TABLE FOR CONNECTORS J7380, J7381 AND J7382
 JAN 05 2006 : ADD D6800 TO PROVIDE DISCHARGE PATH FOR BULK CAPS ON 4.5V POWER
 CHANGE D6825 FROM 1UF TO 15PF TO PREVENT PREMATURE FAILURE OF VR6800
 JAN 06 2006 : ADD NO STUFF BOMOPTION TO D6800
 JAN 20 2006 : ADD R6809 AS A PULL DOWN ON SPDIF OUTPUT TO HOLD NET IN INACTIVE STATE BY DEFAULT
 CHANGE CONNECTION FOR D6800
 JAN 25 2006 : ADD L7000, REMOVE L6802/L6803
 JAN 26 2006 : REMOVE R7320,R7321, R7323, ADD L7308,C7452,C7306,R7114,R7115
 JAN 27 2006 : ADDED C7215,C7225,C7235,C7245 FOR HF IMMUNITY
 JAN 30 2006 : CHANGED PINOUT OF MIC CONNECTOR TO MATCH MIC ASSEMBLY
 JAN 31 2006 : ADDED XW6802 TO PROVIDE RETURN PATH FOR AZALIA BUS SIGNALS (EMI)
 ADDED L7309 FOR HEADPHONE AMP REFERENCE TAP POINT
 FEB 03 2006 : CHANGED C7306,C7303 & C7354 TO DZ7306,DZ7303 & DZ7354 TO SOLVE ESD ISSUE
 ADDED C7001-C7004 TO REDUCE NOISE LEVEL ON LINE-IN BUFFER VREF
 REMOVE R6809, C6832. REPLACED BY C7001-C7004
 FEB 06 2006 : CHANGED XW6802 FROM LAYER 8 TO LAYER 9 SHORT DUE TO TECHNICAL LIMITATION ALLEGRO
 FEB 07 2006 : "NO STUFF" C7452, C7215, C7225, C7235 & C7245
 FEB 15 2006 : CHANGE VALUE OF C7120 & C7130 FROM 10UF TO 3.3UF TO REDUCE INTENSITY OF CLICK DURING UNMUTE.
 THIS MOVES THE CORNER FREQUENCY FROM 1.6HZ TO 4.8HZ.
 MAR 29 2006 : ADDED ALTERNATE BOM TABLE FOR CODEC. 353S1458 IS SCREENED VERSION OF 353S1345.

HISTORY- AUDIO

SYNC_MASTER=(MASTER) SYNC_DATE=(MASTER)

NOTICE OF PROPRIETARY PROPERTY

THE INFORMATION CONTAINED HEREIN IS THE PROPRIETARY PROPERTY OF APPLE COMPUTER, INC. THE POSSESSOR AGREES TO THE FOLLOWING
 I TO MAINTAIN THE DOCUMENT IN CONFIDENCE
 II NOT TO REPRODUCE OR COPY IT
 III NOT TO REVEAL OR PUBLISH IN WHOLE OR PART

APPLE COMPUTER INC.	SIZE	DRAWING NUMBER	REV.
	D	051-7066	A
	SCALE	SHT	OF
	NONE	101	104

	8	7	6	5	4	3	2	1	
D	MAX9722_PVSS	MAX9722_PVSS - @alt_l1o.lib.ALT_L1O	12C4						
	MIC_HI	MIC_HI - @alt_l1o.lib.ALT_L1O	14D3 15A6	SPKRCONN_L1_P_OUT	@alt_l1o.lib.ALT_L1O	13C3 14C3			
	MIC_IN	MIC_IN - @alt_l1o.lib.ALT_L1O	15A5	SPKRCONN_L2_N_OUT	@alt_l1o.lib.ALT_L1O	13D3 14C3			
	MIC_LO	MIC_LO - @alt_l1o.lib.ALT_L1O	14D3 15A6	SPKRCONN_L2_P_OUT	@alt_l1o.lib.ALT_L1O	13D3 14C3			
	MIC_SHIELD	MIC_SHIELD - @alt_l1o.lib.ALT_L1O	14D3 15A6	SPKRCONN_R1_N_OUT	@alt_l1o.lib.ALT_L1O	13A3 14C3			
	NC_AUD_GPIO_2	NC_AUD_GPIO_2 -	10C7	SPKRCONN_R1_P_OUT	@alt_l1o.lib.ALT_L1O	13A3 14C3			
	NC_LED_WLAN_L	NC_LED_WLAN_L -	7B3	SPKRCONN_R2_N_OUT	@alt_l1o.lib.ALT_L1O	13B3 14C3			
	NC_LED_WPAN_L	NC_LED_WPAN_L -	7B3	SPKRCONN_R2_P_OUT	@alt_l1o.lib.ALT_L1O	13B3 14C3			
	NC_LED_WWAN_L	NC_LED_WWAN_L -	7B3	SPKR_SHIELD	@alt_l1o.lib.ALT_L1O	14C2			
	NC_L1O_P3V3S3_PGOOD	NC_L1O_P3V3S3_PGOOD -	16B8	SYS_ONEWIRE	@alt_l1o.lib.ALT_L1O	8C6 17C1			
	NC_UIM_CLK	NC_UIM_CLK - @alt_l1o.lib.ALT_L1O	7C3	SYS_ONEWIRE_BILAT	@alt_l1o.lib.ALT_L1O	17C2			
	NC_UIM_DATA	NC_UIM_DATA - @alt_l1o.lib.ALT_L1O	7C3	TP_EXCARD_STBY_L	@alt_l1o.lib.ALT_L1O	6C7			
	NC_UIM_PWR	NC_UIM_PWR - @alt_l1o.lib.ALT_L1O	7C3	TP_USB2_MINI_N	@alt_l1o.lib.ALT_L1O	4B2			
	NC_UIM_RESET	NC_UIM_RESET - @alt_l1o.lib.ALT_L1O	7C3	TP_USB2_MINI_P	@alt_l1o.lib.ALT_L1O	4B2			
	NC_UIM_VFP	NC_UIM_VFP - @alt_l1o.lib.ALT_L1O	7C3	USB_LEFT2_EMI_N	@alt_l1o.lib.ALT_L1O	4B5 7B3			
	NC_VOL_DOWN	NC_VOL_DOWN - @alt_l1o.lib.ALT_L1O	10C7	USB_LEFT2_EMI_P	@alt_l1o.lib.ALT_L1O	5C4			
	NC_VOL_UP	NC_VOL_UP - @alt_l1o.lib.ALT_L1O	10C7	USB_LEFT2_GND	@alt_l1o.lib.ALT_L1O	5C3			
	NC_W_DISABLE_L	NC_W_DISABLE_L -	7C3	USB_LEFT2_GND	@alt_l1o.lib.ALT_L1O	5C3			
	C	ONEWIRE_DCIIN_DIV	ONEWIRE_DCIIN_DIV -	17C5	USB_LEFT2_OC_L_R	@alt_l1o.lib.ALT_L1O	5B7		
		ONEWIRE_EN	ONEWIRE_EN - @alt_l1o.lib.ALT_L1O	17D3	USB_LEFT2_OC_L_R	@alt_l1o.lib.ALT_L1O	5B7		
ONEWIRE_ESD		ONEWIRE_ESD - @alt_l1o.lib.ALT_L1O	17C4	USB_LEFT2_OC_L_R	@alt_l1o.lib.ALT_L1O	5B7			
ONEWIRE_OVERRVOLT		ONEWIRE_OVERRVOLT -	17C4	USB_LEFT2_OC_L_R	@alt_l1o.lib.ALT_L1O	5B7			
ONEWIRE_PWR_EN_L		ONEWIRE_PWR_EN_L -	17C2	USB_LEFT2_OC_L_R	@alt_l1o.lib.ALT_L1O	5B7			
ONEWIRE_PWR_EN_L_DIV		ONEWIRE_PWR_EN_L_DIV -	17D2	USB_LEFT2_OC_L_R	@alt_l1o.lib.ALT_L1O	5B7			
P2V5_ONEWIRE_REF		P2V5_ONEWIRE_REF -	17C5	USB_LEFT2_OC_L_R	@alt_l1o.lib.ALT_L1O	5B7			
PCI_E_CLK100M_EXCARD_		PCI_E_CLK100M_EXCARD_	8C4	USB_LEFT2_OC_L_R	@alt_l1o.lib.ALT_L1O	5B7			
PCI_E_CLK100M_EXCARD_		PCI_E_CLK100M_EXCARD_	8B4	USB_LEFT2_OC_L_R	@alt_l1o.lib.ALT_L1O	5B7			
PCI_E_CLK100M_EXCARD_		PCI_E_CLK100M_EXCARD_	8C4	USB_LEFT2_OC_L_R	@alt_l1o.lib.ALT_L1O	5B7			
PCI_E_CLK100M_EXCARD_		PCI_E_CLK100M_EXCARD_	8C4	USB_LEFT2_OC_L_R	@alt_l1o.lib.ALT_L1O	5B7			
PCI_E_CLK100M_EXCARD_		PCI_E_CLK100M_EXCARD_	8C4	USB_LEFT2_OC_L_R	@alt_l1o.lib.ALT_L1O	5B7			
PCI_E_WAKE_EXCARD_L		PCI_E_WAKE_EXCARD_L -	4C3 6C3	USB_LEFT2_OC_L_R	@alt_l1o.lib.ALT_L1O	5B7			
PCI_E_WAKE_L		PCI_E_WAKE_L - @alt_l1o.lib.ALT_L1O	4C4 8C6	USB_LEFT2_OC_L_R	@alt_l1o.lib.ALT_L1O	5B7			
PCI_E_WAKE_MINI_L		PCI_E_WAKE_MINI_L -	4C3 7C6	USB_LEFT2_OC_L_R	@alt_l1o.lib.ALT_L1O	5B7			
PLT_RESET_SWITCH_L		PLT_RESET_SWITCH_L -	6C3 6C3	USB_LEFT2_OC_L_R	@alt_l1o.lib.ALT_L1O	5B7			
PP1V5_S0_EXCARD_SWIT		PP1V5_S0_EXCARD_SWIT -	6C3 6C3	USB_LEFT2_OC_L_R	@alt_l1o.lib.ALT_L1O	5B7			
PP3V3_AUDIO_CODEC		PP3V3_AUDIO_CODEC -	10D6	VRREG_FB	@alt_l1o.lib.ALT_L1O	10A3			
B		PP3V3_S0_AUDIO_F	PP3V3_S0_AUDIO_F -	15B4 15C8 15C8 15D8					
		PP3V3_S0_EXCARD_SWIT	PP3V3_S0_EXCARD_SWIT -	6C3 6C3					
	PP3V3_S3_EXCARD_SWIT	PP3V3_S3_EXCARD_SWIT -	6C3 6C3						
	PP4V5_AUDIO_ANALOG	PP4V5_AUDIO_ANALOG -	10A2 10D2 11C7 15A8 15C5						
	PP4V5_AUDIO_LINE_IN	PP4V5_AUDIO_LINE_IN -	11C5						
	PP5V_AUDIO_HPAMP_AV	PP5V_AUDIO_HPAMP_AV	12D4						
	PP5V_AUDIO_HPAMP_PVD	PP5V_AUDIO_HPAMP_PVD -	12D5						
	PP5V_PWRON_USB_LEFT2	PP5V_PWRON_USB_LEFT2 -	5D4						
	PP5V_PWRON_USB_LEFT2	PP5V_PWRON_USB_LEFT2 -	5B4						
	PP5V_S0_AUDIO_F	PP5V_S0_AUDIO_F -	13A8 13B1 13B8 13C8 13D8						
	PP5V_S3_3V3S3_R	PP5V_S3_3V3S3_R -	16C6						
	PP5V_S3_3V3S3_VCC	PP5V_S3_3V3S3_VCC -	16C7						
	PP5V_S3_USB_SWITCH_O	PP5V_S3_USB_SWITCH_OUT1 -	5B5						
	PP5V_S3_USB_SWITCH_O	PP5V_S3_USB_SWITCH_OUT2 -	5D5						
	PP18V5_DCIIN	PP18V5_DCIIN - @alt_l1o.lib.ALT_L1O	17D1 18C4						
	PP18V5_DCIIN_FUSE	PP18V5_DCIIN_FUSE -	17D6						
	PP18V5_DCIIN_ONEWIRE	PP18V5_DCIIN_ONEWIRE -	17D5						
	PP18V5_DCIIN_UF	PP18V5_DCIIN_UF -	17D7						
	SDATAIN	SDATAIN - @alt_l1o.lib.ALT_L1O	10C6						
	SMC_BC_ACOK	SMC_BC_ACOK - @alt_l1o.lib.ALT_L1O	8C6 17B2						
SMC_EXCARD_CP	SMC_EXCARD_CP -	6A4 8C6							
SMC_EXCARD_PWR_EN	SMC_EXCARD_PWR_EN -	6C7 8C6							
A	SPKRAMP_L1_N_OUT	SPKRAMP_L1_N_OUT -	13C4 13C5						
	SPKRAMP_L1_P_OUT	SPKRAMP_L1_P_OUT -	13C4 13C5						
	SPKRAMP_L2_N_OUT	SPKRAMP_L2_N_OUT -	13D4 13D5						
	SPKRAMP_L2_P_OUT	SPKRAMP_L2_P_OUT -	13D4 13D5						
	SPKRAMP_R1_N_OUT	SPKRAMP_R1_N_OUT -	13A4 13A5						
	SPKRAMP_R1_P_OUT	SPKRAMP_R1_P_OUT -	13A4 13A5						
	SPKRAMP_R2_N_OUT	SPKRAMP_R2_N_OUT -	13B4 13B5						
	SPKRAMP_R2_P_OUT	SPKRAMP_R2_P_OUT -	13B4 13B5						
	SPKRAMP_SYNC1	SPKRAMP_SYNC1 -	13C5 13D5						
	SPKRAMP_SYNC2	SPKRAMP_SYNC2 -	13B5 13C5						
	SPKRAMP_SYNC3	SPKRAMP_SYNC3 -	13A5 13B5						
	SPKRAMP_THERMPAD	SPKRAMP_THERMPAD -	13A5 13B5 13B5 13C5 13C5						
	SPKRCONN_L1_N_OUT	SPKRCONN_L1_N_OUT -	13C3 14C3						

