

8

7

6

5

4

3

2

1

- 1. ALL RESISTANCE VALUES ARE IN OHMS, 0.1 WATT +/- 5%.
- 2. ALL CAPACITANCE VALUES ARE IN MICROFARADS.
- 3. ALL CRYSTALS & OSCILLATOR VALUES ARE IN HERTZ.

REV	ZONE	ECN	DESCRIPTION OF CHANGE	CK APPD	ENG APPD
				DATE	DATE
?		?	?	?	?

Q45 INTERFACE BOARD

920-0163-03 (PCB)


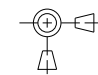
951-0292-03 (SCHEMATIC)

REV 1: 11/12/2003 TEF

REV 2: 1/19/2004 TEF

REV 3: 4/09/2004 TEF

TOM FUSSELMAN EXT 4-8994

DIMENSIONS ARE IN MILLIMETERS		METRIC		 Apple Computer Inc.	
XX : _____				NOTICE OF PROPRIETARY PROPERTY THE INFORMATION CONTAINED HEREIN IS THE PROPRIETARY PROPERTY OF APPLE COMPUTER, INC. THE POSSESSOR AGREES TO THE FOLLOWING I TO MAINTAIN THE DOCUMENT IN CONFIDENCE II NOT TO REPRODUCE OR COPY IT III NOT TO REVEAL OR PUBLISH IN WHOLE OR PART	
X.XX : _____				TITLE	
X.XXX : _____				Q45 INTERFACE BOARD	
ANGLES : _____				DRAWING NUMBER 951-0292 REV. 3	
DO NOT SCALE DRAWING				SHT 1 OF 26	
 THIRD ANGLE PROJECTION		MATERIAL/FINISH NOTED AS APPLICABLE	SIZE D		

8

7

6

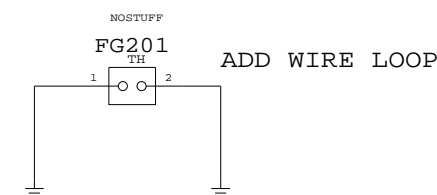
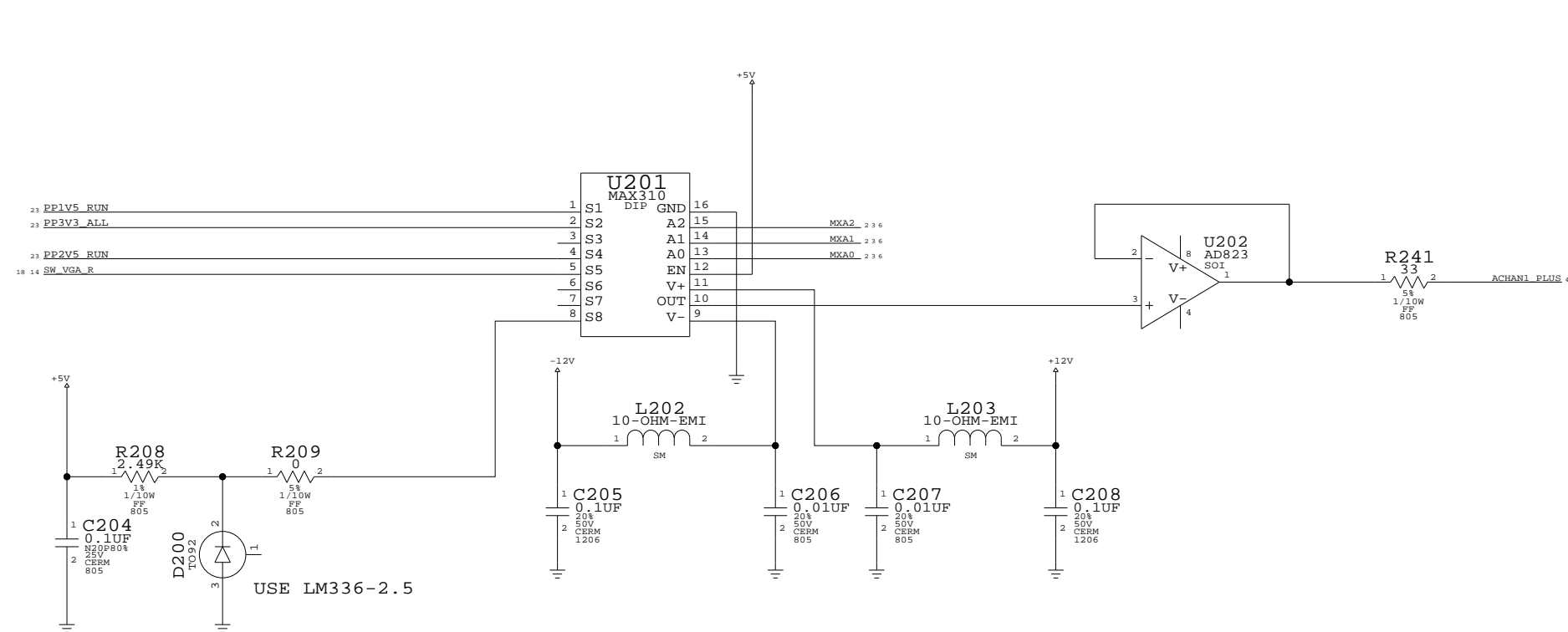
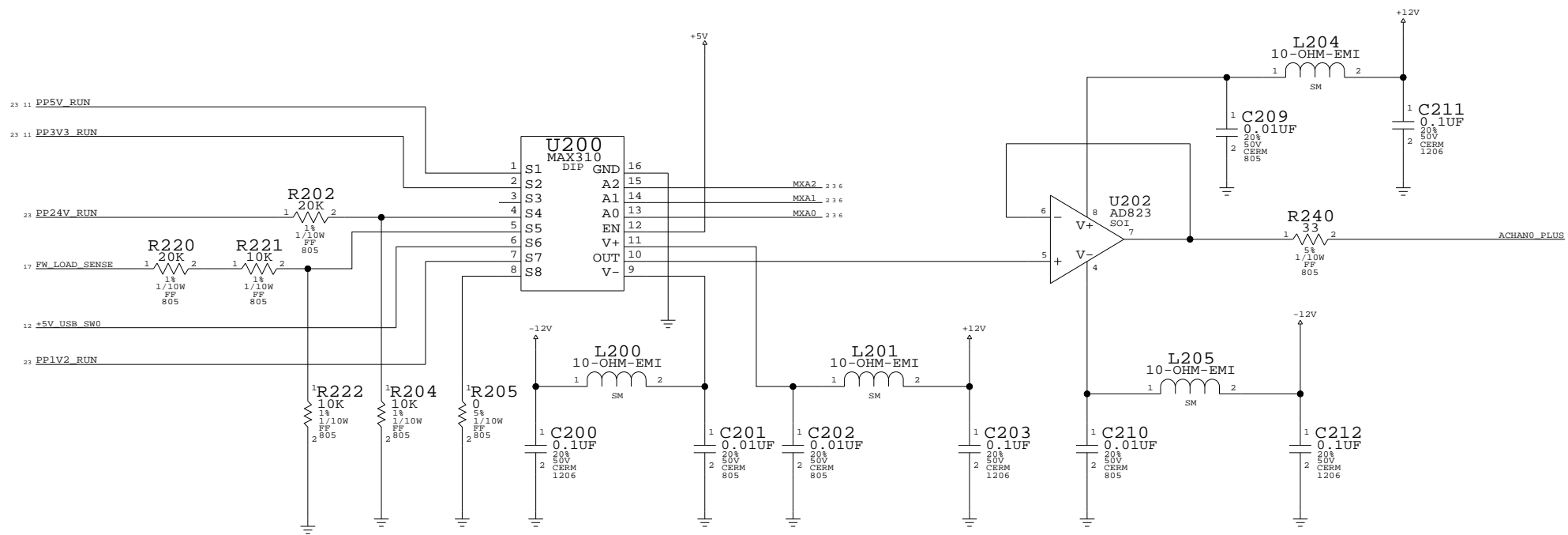
5

4

3

2

1



NOTICE OF PROPRIETARY PROPERTY
 THE INFORMATION CONTAINED HEREIN IS THE PROPRIETARY PROPERTY OF APPLE COMPUTER, INC. THE POSSESSOR AGREES TO THE FOLLOWING
 I TO MAINTAIN THE DOCUMENT IN CONFIDENCE
 II NOT TO REPRODUCE OR COPY IT
 III NOT TO REVEAL OR PUBLISH IN WHOLE OR PART

APPLE COMPUTER INC.	SIZE D SCALE NONE	DRAWING NUMBER 951-0292 SHEET 2 OF 26	REV. 3
---------------------	----------------------	--	--------

8

7

6

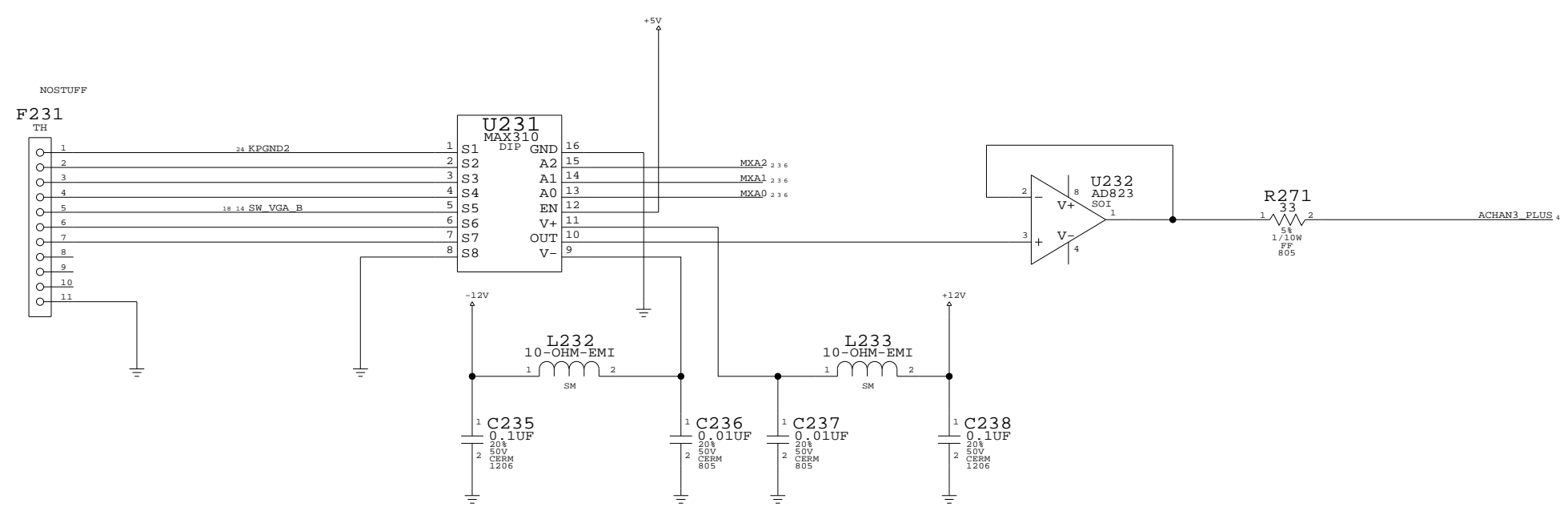
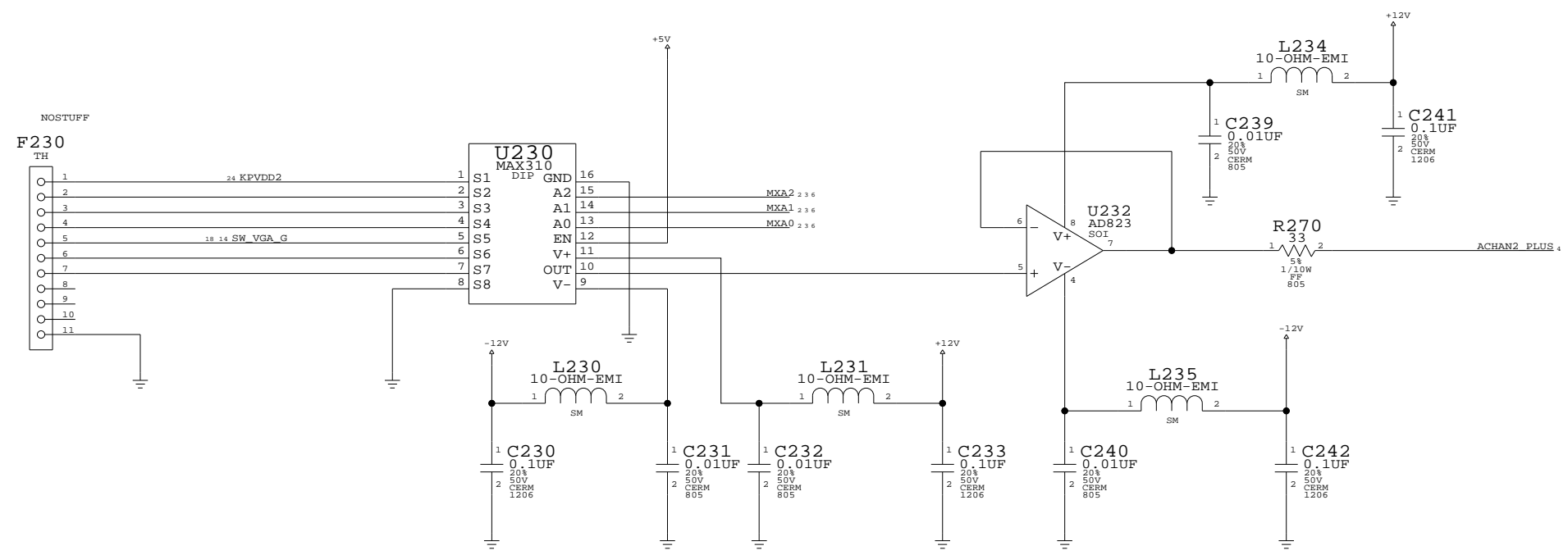
5

4


3

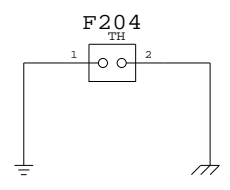
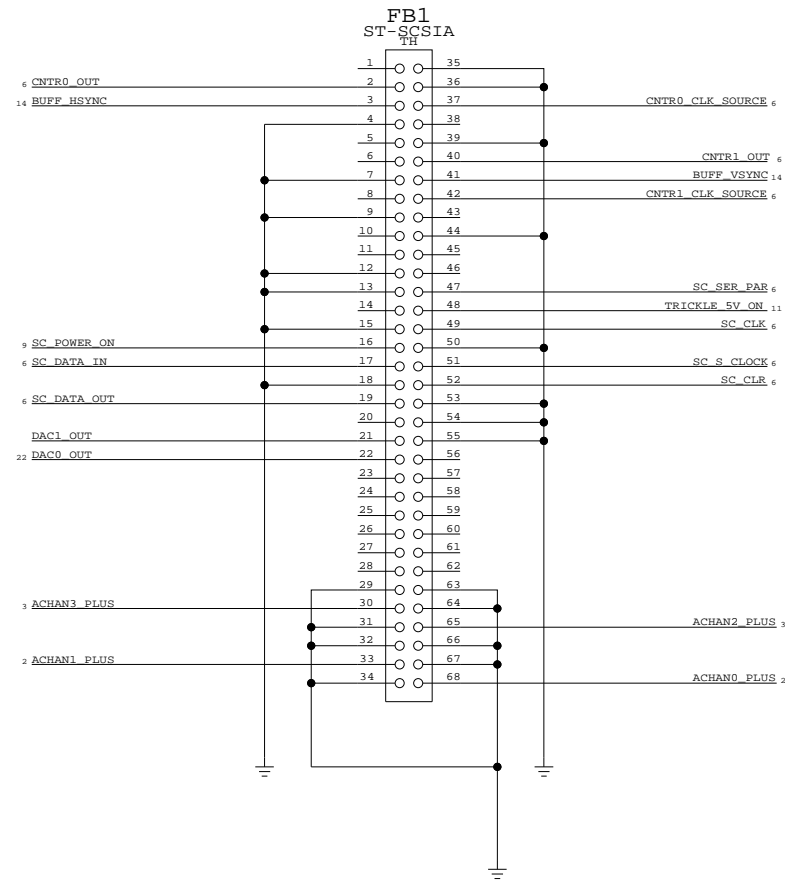
2

1




NOTICE OF PROPRIETARY PROPERTY
 THE INFORMATION CONTAINED HEREIN IS THE PROPRIETARY PROPERTY OF APPLE COMPUTER, INC. THE POSSESSOR AGREES TO THE FOLLOWING
 I TO MAINTAIN THE DOCUMENT IN CONFIDENCE
 II NOT TO REPRODUCE OR COPY IT
 III NOT TO REVEAL OR PUBLISH IN WHOLE OR PART

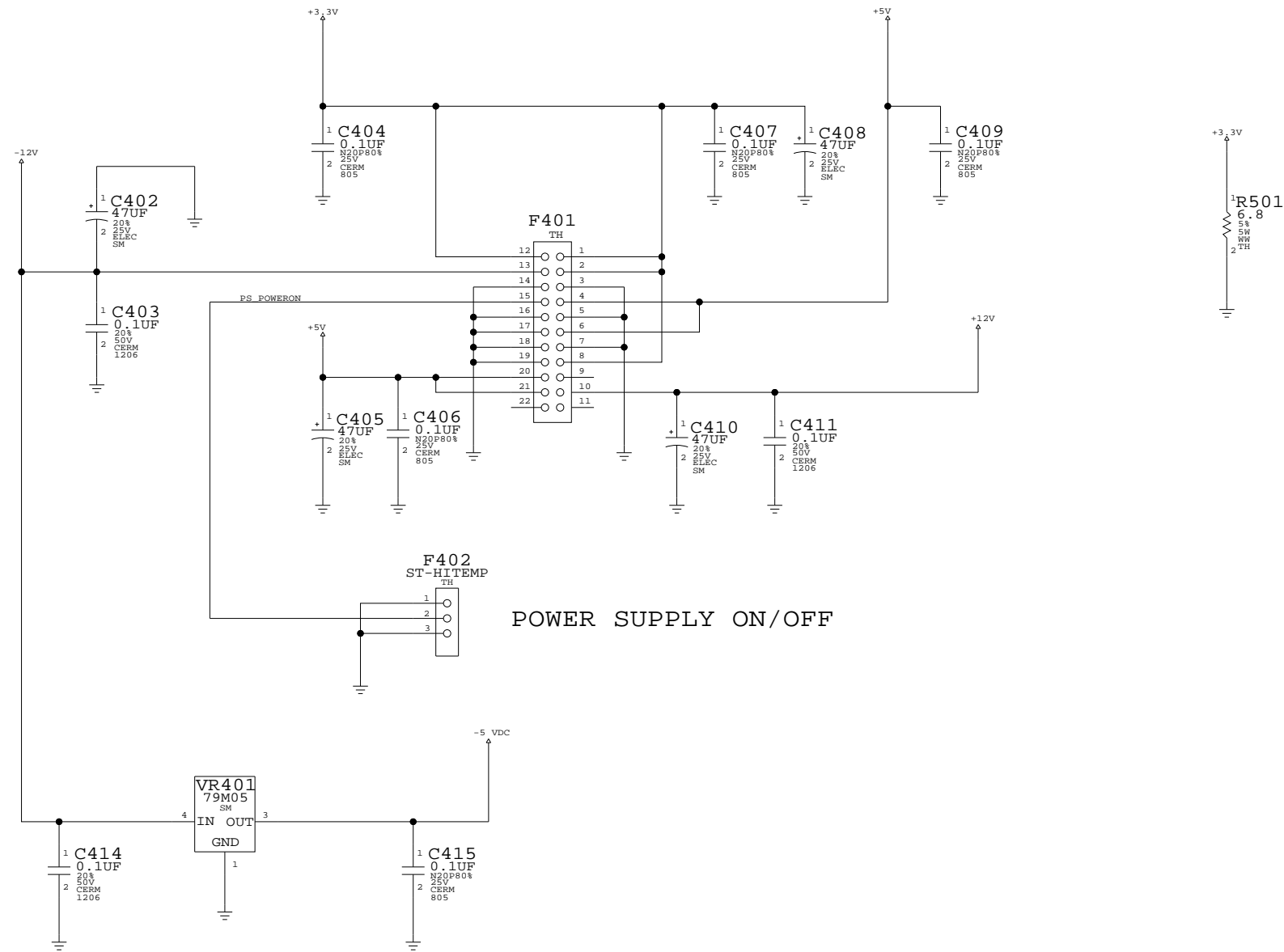
 APPLE COMPUTER INC.	SIZE D	DRAWING NUMBER 951-0292	REV. 3
	SCALE NONE	SHEET 3	OF 26



NOTICE OF PROPRIETARY PROPERTY
 THE INFORMATION CONTAINED HEREIN IS THE PROPRIETARY PROPERTY OF APPLE COMPUTER, INC. THE POSSESSOR AGREES TO THE FOLLOWING
 I TO MAINTAIN THE DOCUMENT IN CONFIDENCE
 II NOT TO REPRODUCE OR COPY IT
 III NOT TO REVEAL OR PUBLISH IN WHOLE OR PART

 APPLE COMPUTER INC.	SIZE D	DRAWING NUMBER 951-0292	REV. 3
	SCALE NONE	SHEET 4	OF 26

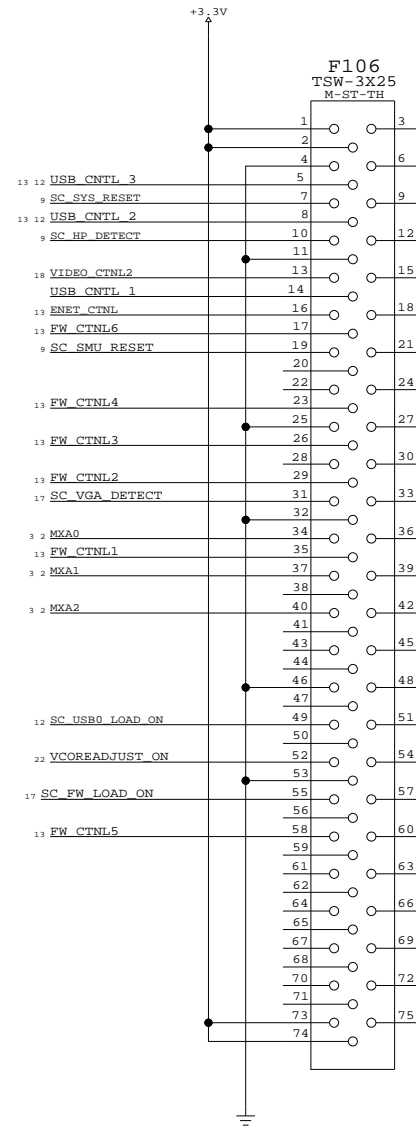
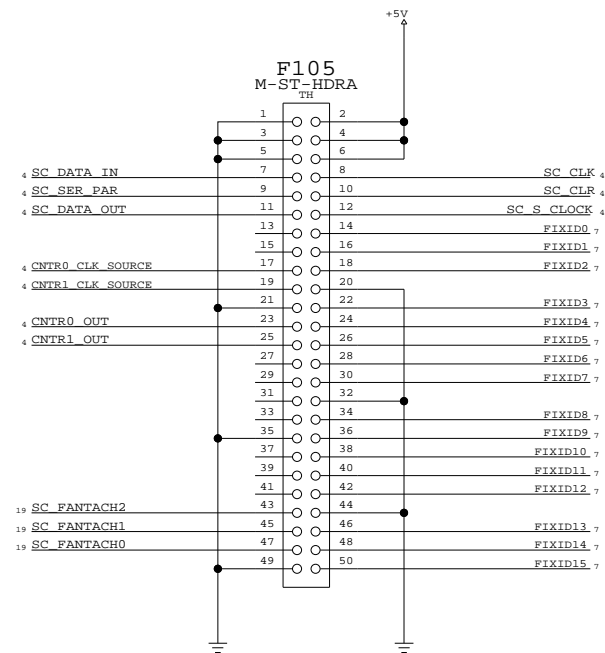
INTERFACE BOARD POWER CONNECTOR



NOTICE OF PROPRIETARY PROPERTY
 THE INFORMATION CONTAINED HEREIN IS THE PROPRIETARY PROPERTY OF APPLE COMPUTER, INC. THE POSSESSOR AGREES TO THE FOLLOWING
 I TO MAINTAIN THE DOCUMENT IN CONFIDENCE
 II NOT TO REPRODUCE OR COPY IT
 III NOT TO REVEAL OR PUBLISH IN WHOLE OR PART

	SIZE	DRAWING NUMBER	REV.
	D	951-0292	3
SCALE	SHT	OF	
NONE	5	26	

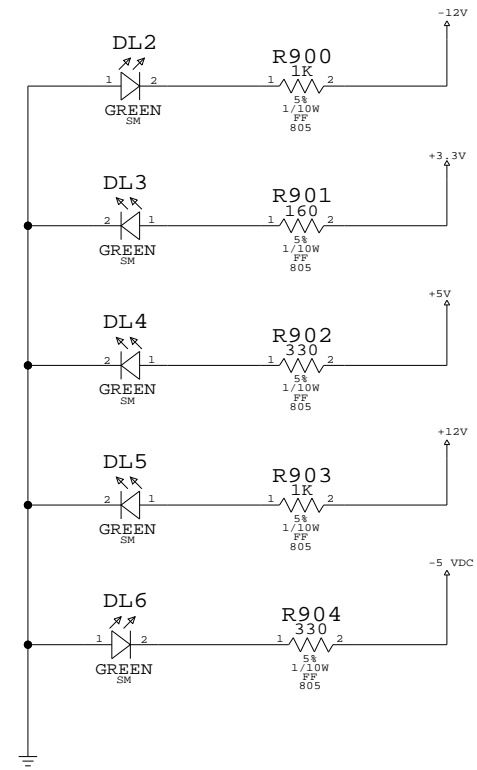
SCAN CARD CONNECTORS



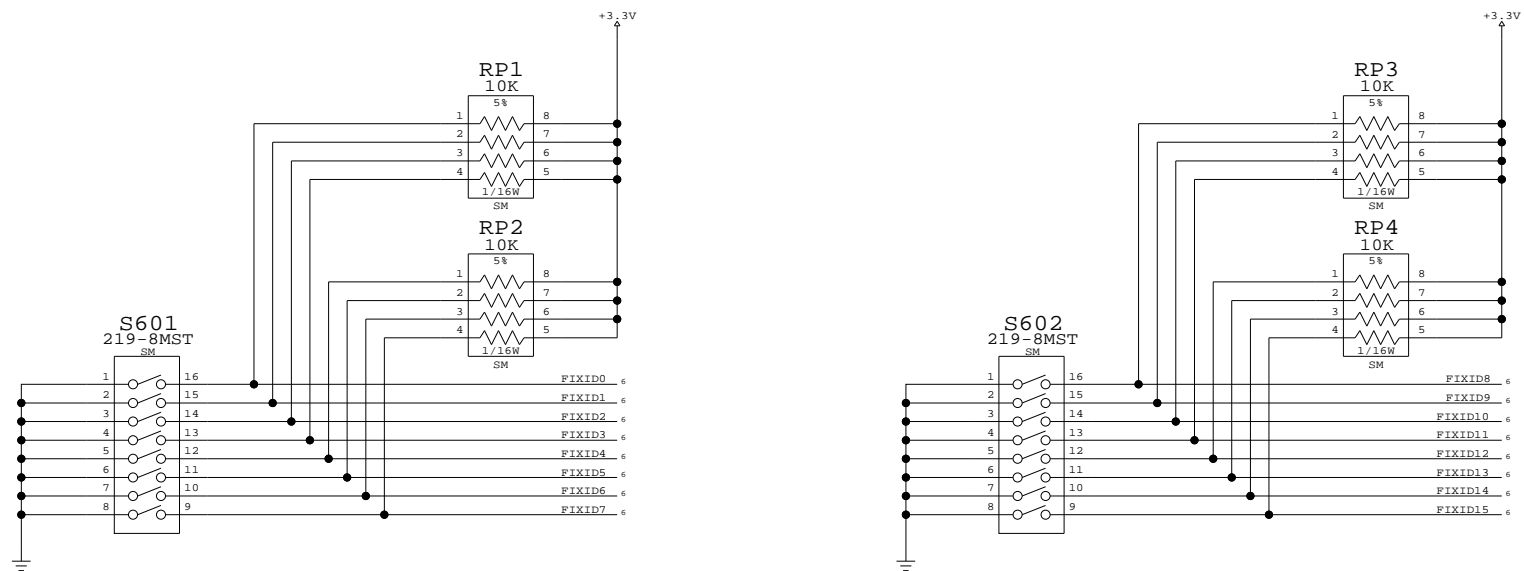
NOTICE OF PROPRIETARY PROPERTY
THE INFORMATION CONTAINED HEREIN IS THE PROPRIETARY PROPERTY OF APPLE COMPUTER, INC. THE POSSESSOR AGREES TO THE FOLLOWING
I TO MAINTAIN THE DOCUMENT IN CONFIDENCE
II NOT TO REPRODUCE OR COPY IT
III NOT TO REVEAL OR PUBLISH IN WHOLE OR PART

APPLE COMPUTER INC.	SIZE	DRAWING NUMBER	REV.
	D	951-0292	3
SCALE	SHT	OF	
NONE	6	26	

FIXTURE POWER ON LEDS



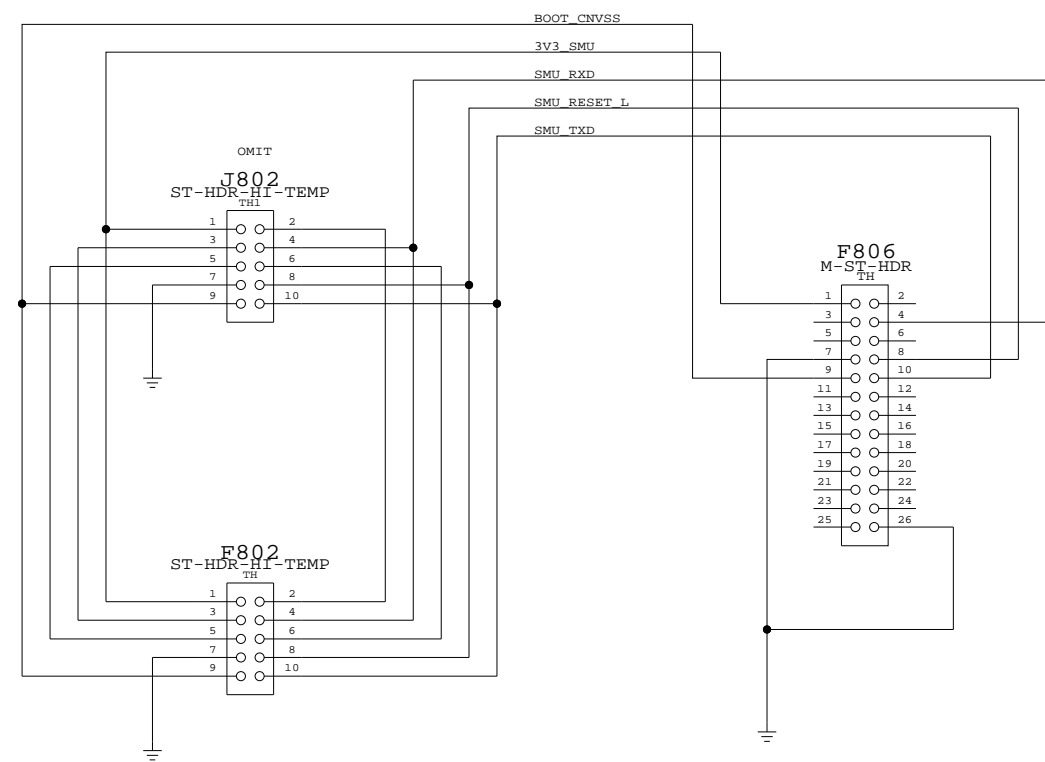
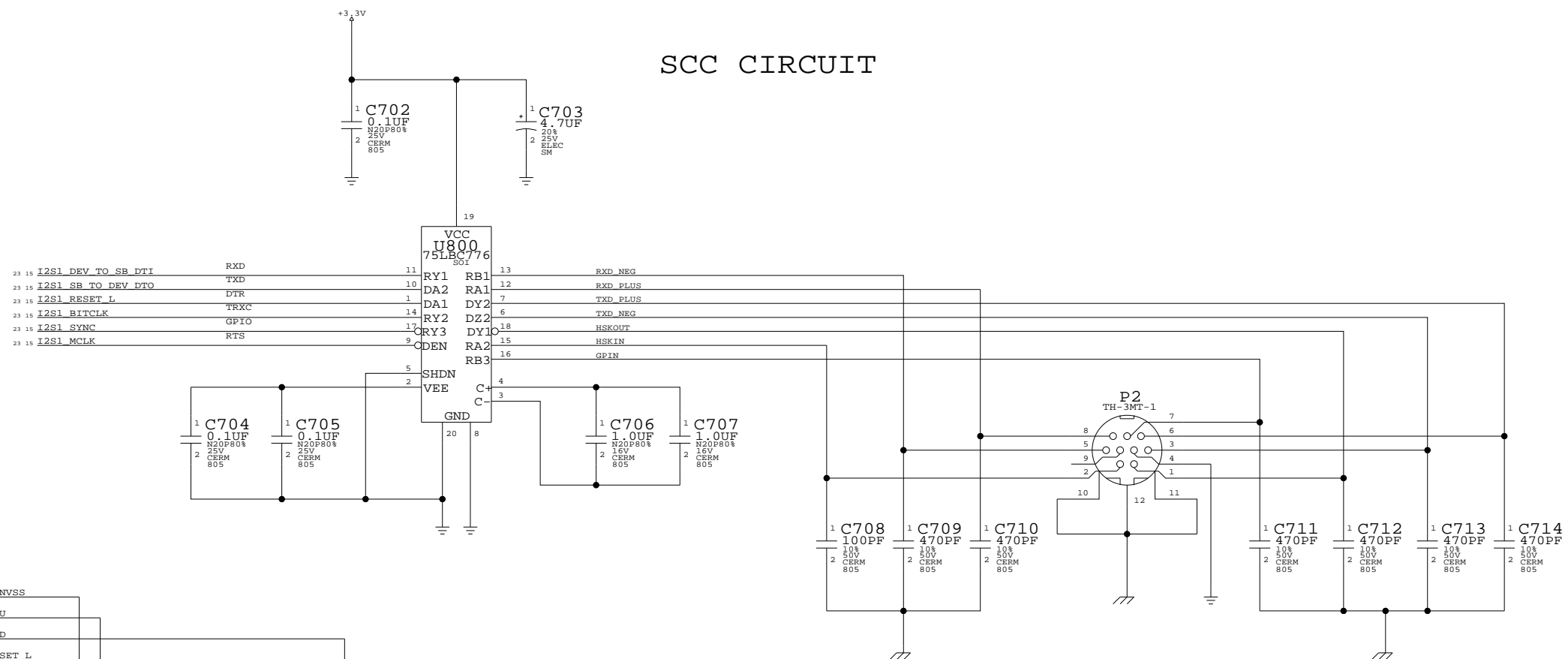
FIXTURE ID SWITCHES



NOTICE OF PROPRIETARY PROPERTY
 THE INFORMATION CONTAINED HEREIN IS THE PROPRIETARY PROPERTY OF APPLE COMPUTER, INC. THE POSSESSOR AGREES TO THE FOLLOWING
 I TO MAINTAIN THE DOCUMENT IN CONFIDENCE
 II NOT TO REPRODUCE OR COPY IT
 III NOT TO REVEAL OR PUBLISH IN WHOLE OR PART

	SIZE	DRAWING NUMBER	REV.
	D	951-0292	3
SCALE	SHT	OF	
NONE	7	26	

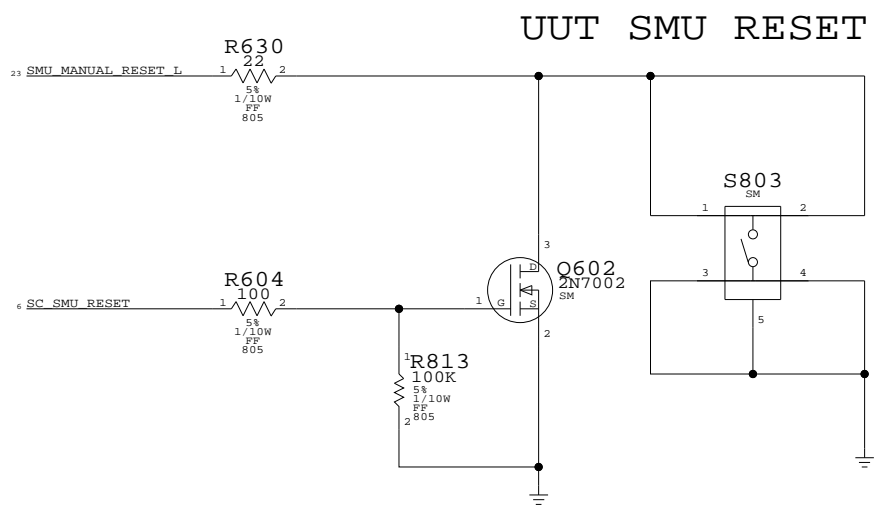
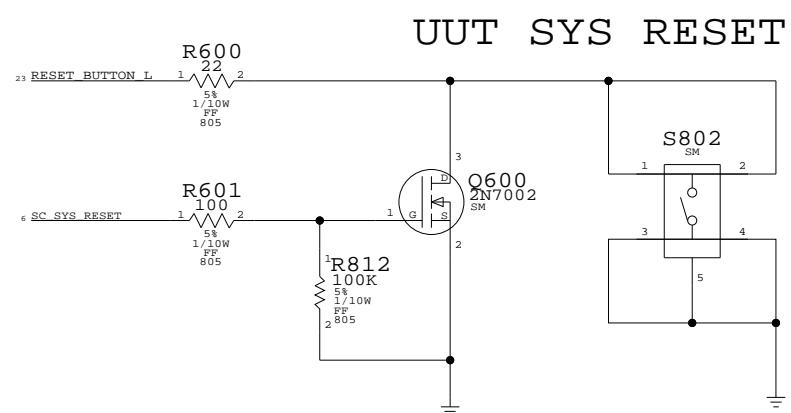
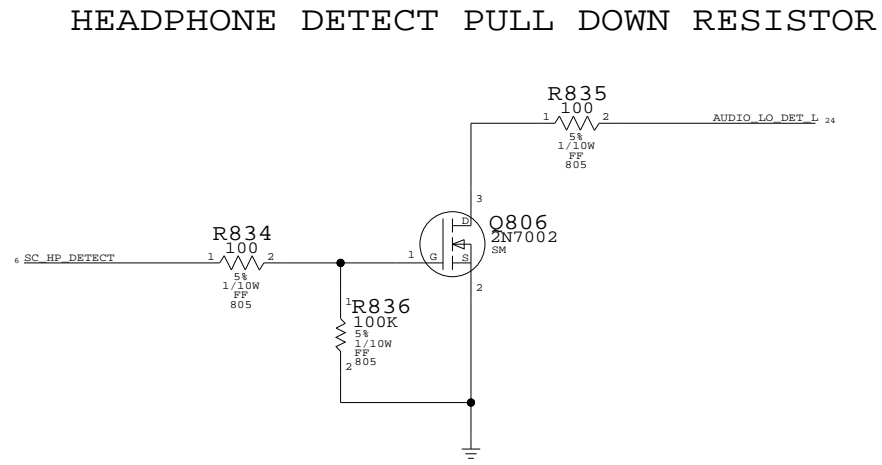
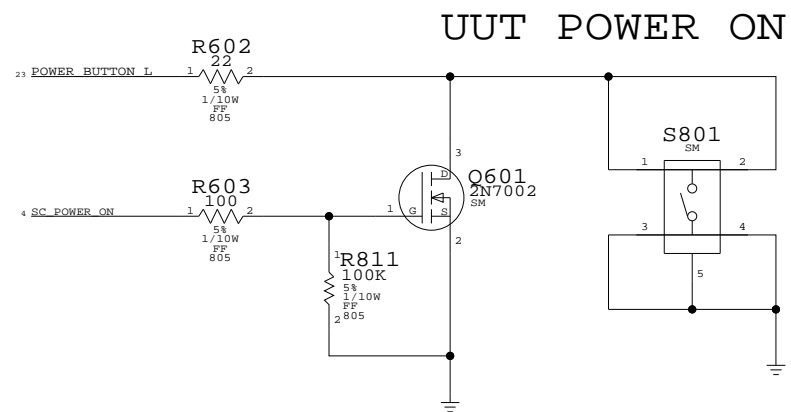
SCC CIRCUIT



SMU DOWNLOAD CONNECTOR

NOTICE OF PROPRIETARY PROPERTY
 THE INFORMATION CONTAINED HEREIN IS THE PROPRIETARY PROPERTY OF APPLE COMPUTER, INC. THE POSSESSOR AGREES TO THE FOLLOWING
 I TO MAINTAIN THE DOCUMENT IN CONFIDENCE
 II NOT TO REPRODUCE OR COPY IT
 III NOT TO REVEAL OR PUBLISH IN WHOLE OR PART

	SIZE	DRAWING NUMBER	REV.
	D	951-0292	3
SCALE	SHT	OF	
NONE	8	26	



NOTICE OF PROPRIETARY PROPERTY
 THE INFORMATION CONTAINED HEREIN IS THE PROPRIETARY PROPERTY OF APPLE COMPUTER, INC. THE POSSESSOR AGREES TO THE FOLLOWING
 I TO MAINTAIN THE DOCUMENT IN CONFIDENCE
 II NOT TO REPRODUCE OR COPY IT
 III NOT TO REVEAL OR PUBLISH IN WHOLE OR PART

APPLE COMPUTER INC.	SIZE D	DRAWING NUMBER 951-0292	REV. 3
	SCALE NONE	SHEET 9	OF 26

8

7

6

5

4

3

2

1

THIS PAGE BLANK

D

D

C

C

B

B

A

A


NOTICE OF PROPRIETARY PROPERTY

THE INFORMATION CONTAINED HEREIN IS THE PROPRIETARY PROPERTY OF APPLE COMPUTER, INC. THE POSSESSOR AGREES TO THE FOLLOWING

I TO MAINTAIN THE DOCUMENT IN CONFIDENCE

II NOT TO REPRODUCE OR COPY IT

III NOT TO REVEAL OR PUBLISH IN WHOLE OR PART

 APPLE COMPUTER INC.	SIZE D	DRAWING NUMBER 951-0292	REV. 3
	SCALE NONE	SHEET 10 OF 26	

8

7

6

5

4

3

2

1

8

7

6

5

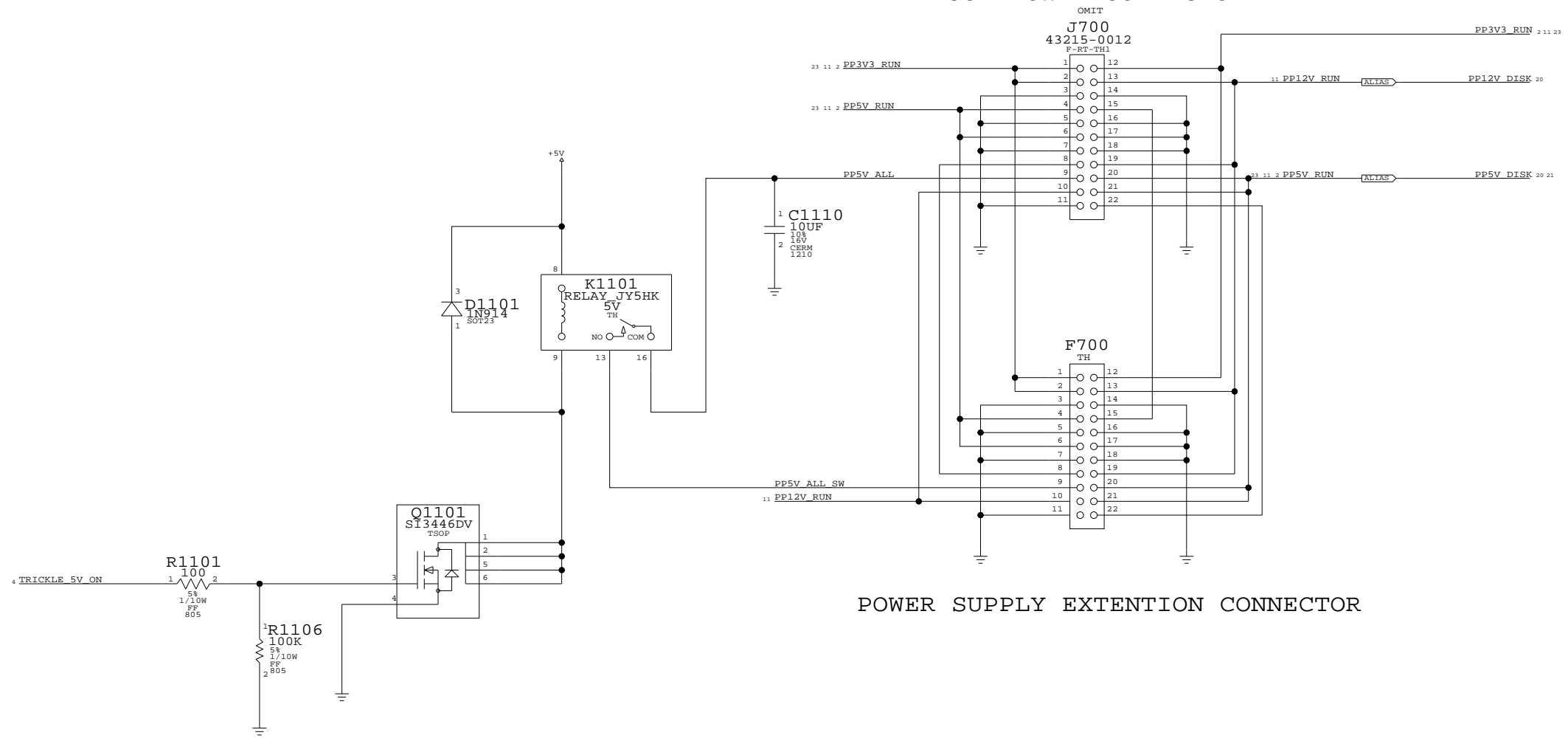
4

3

2

1

UUT POWER CONNECTOR



POWER SUPPLY EXTENTION CONNECTOR

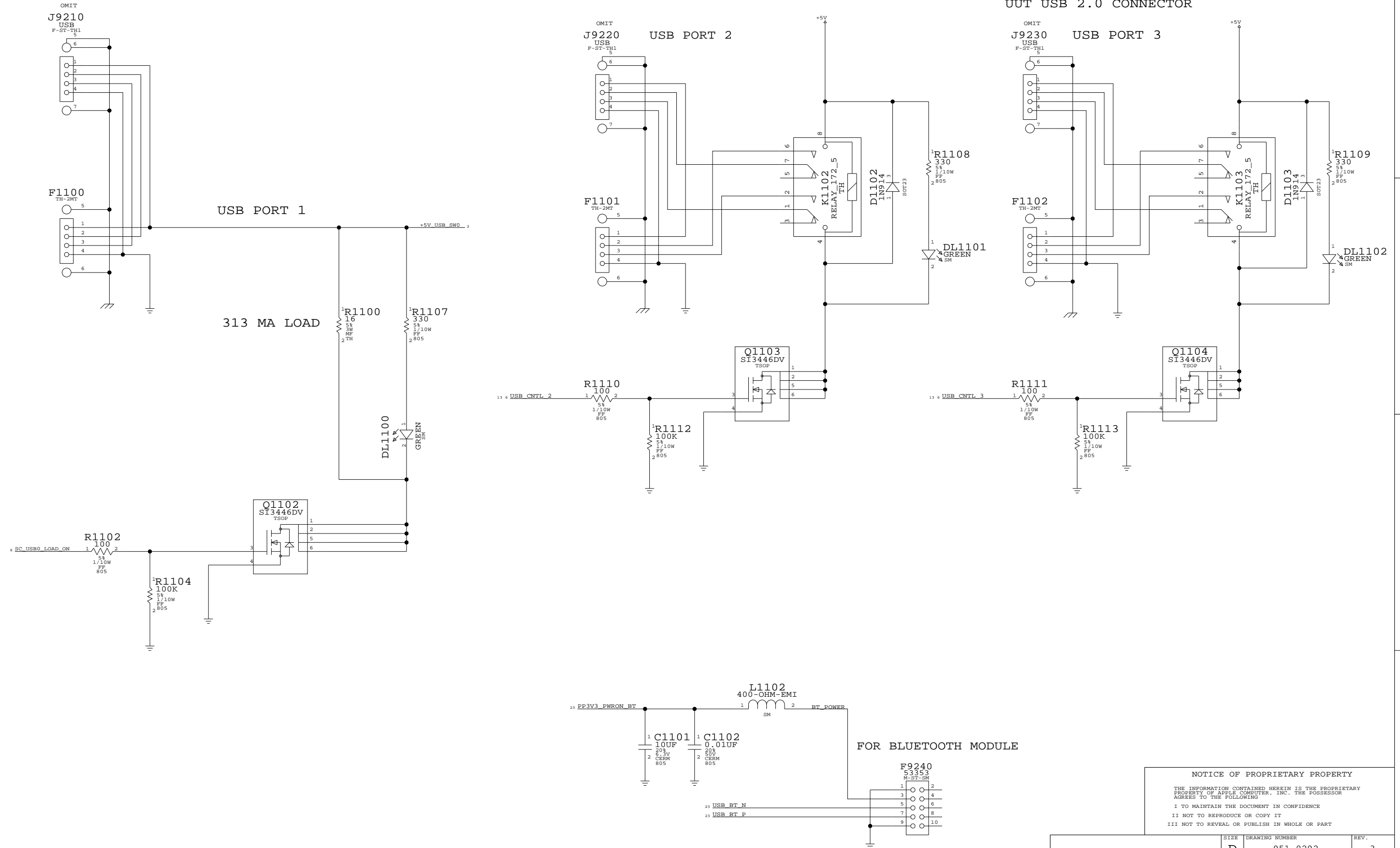
NOTICE OF PROPRIETARY PROPERTY
 THE INFORMATION CONTAINED HEREIN IS THE PROPRIETARY PROPERTY OF APPLE COMPUTER, INC. THE POSSESSOR AGREES TO THE FOLLOWING
 I TO MAINTAIN THE DOCUMENT IN CONFIDENCE
 II NOT TO REPRODUCE OR COPY IT
 III NOT TO REVEAL OR PUBLISH IN WHOLE OR PART

	SIZE	DRAWING NUMBER	REV.
	D	951-0292	3
SCALE	SHT	OF	
NONE	11	26	

USB CIRCUIT

UUT USB 2.0 CONNECTOR

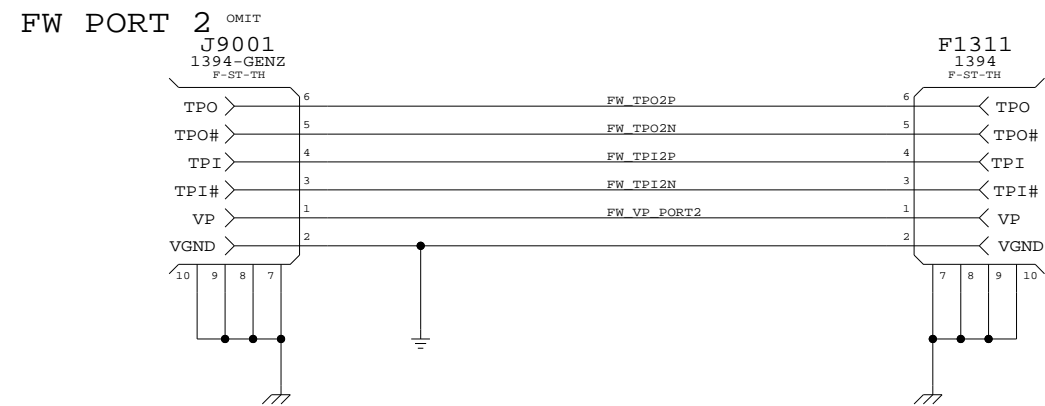
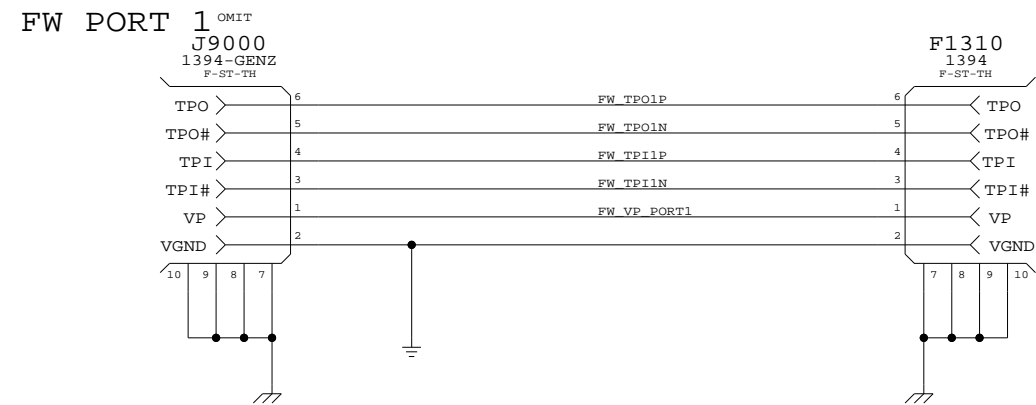
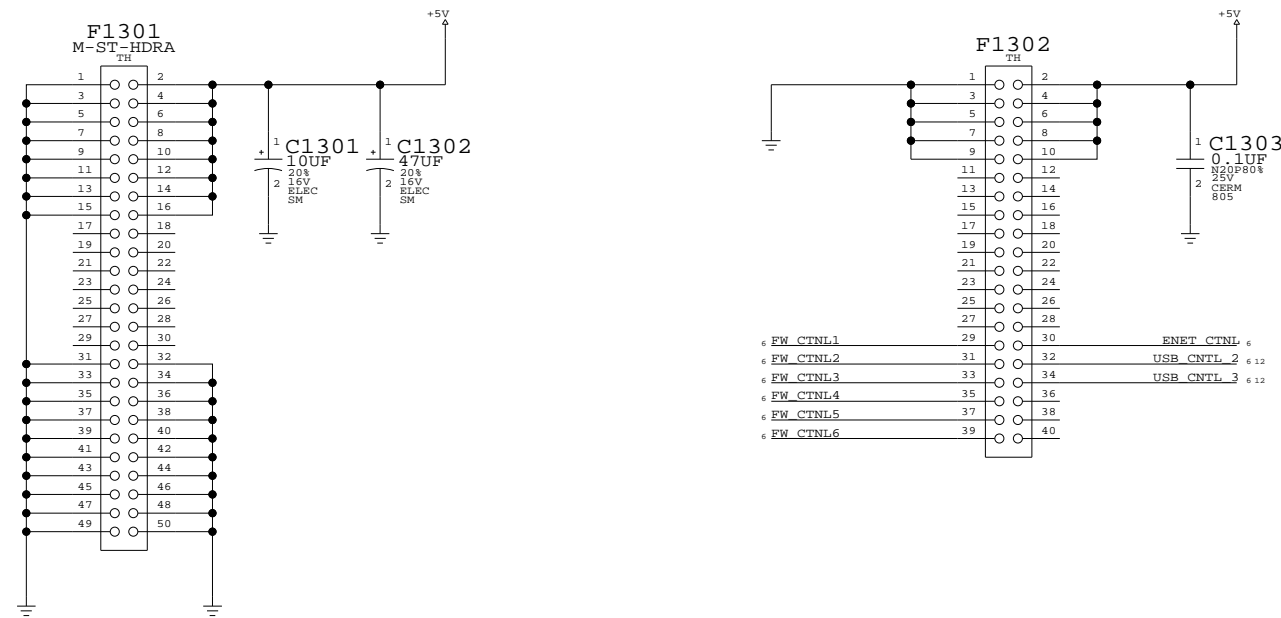
UUT USB 2.0 CONNECTOR



NOTICE OF PROPRIETARY PROPERTY
 THE INFORMATION CONTAINED HEREIN IS THE PROPRIETARY PROPERTY OF APPLE COMPUTER, INC. THE POSSESSOR AGREES TO THE FOLLOWING
 I TO MAINTAIN THE DOCUMENT IN CONFIDENCE
 II NOT TO REPRODUCE OR COPY IT
 III NOT TO REVEAL OR PUBLISH IN WHOLE OR PART

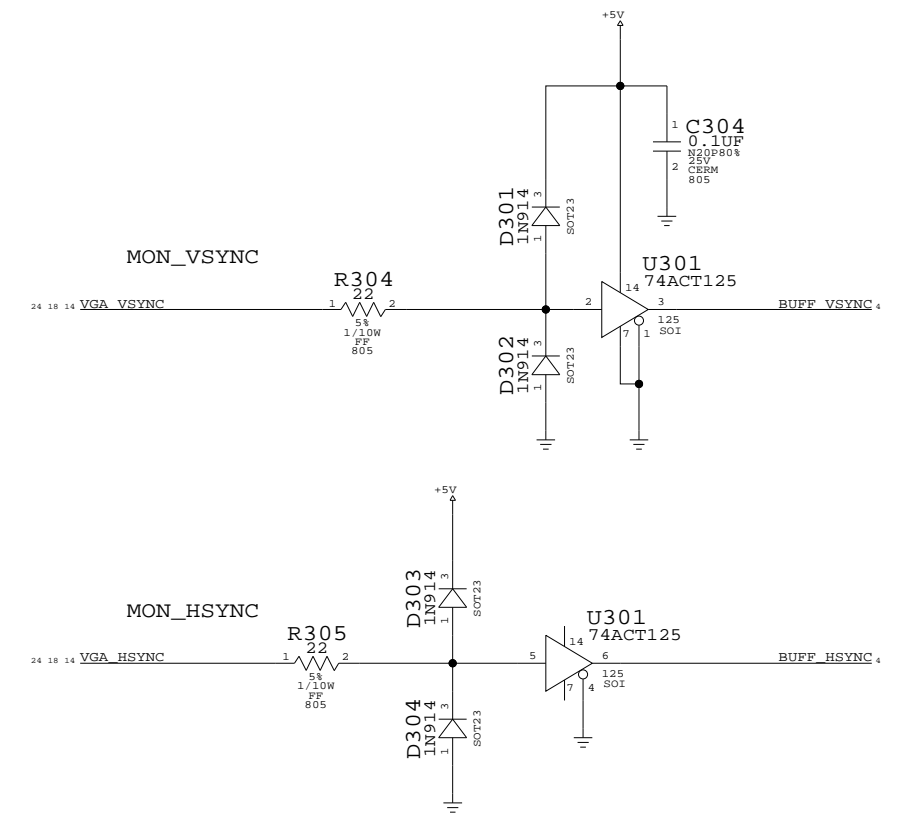
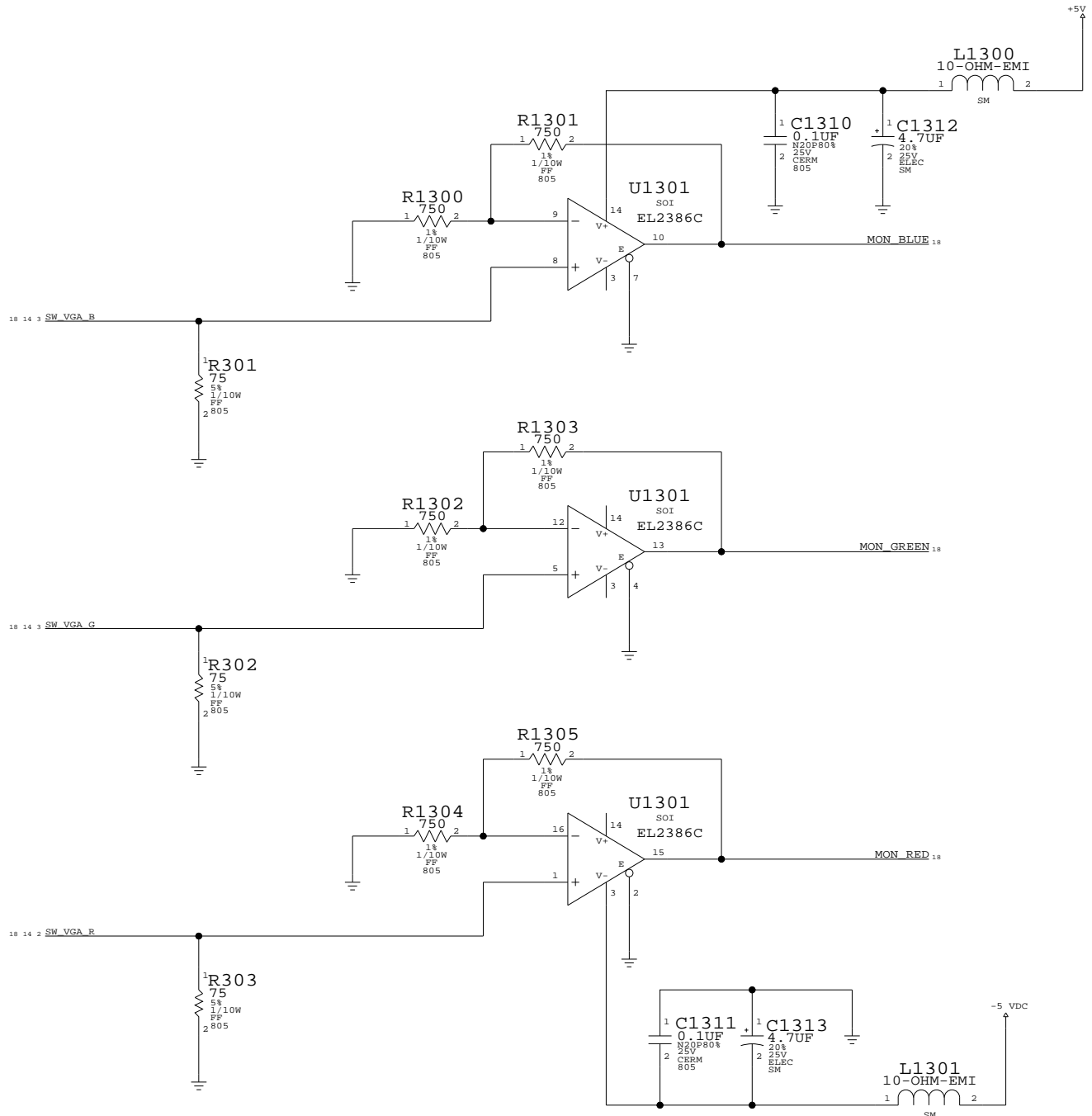
	SIZE	DRAWING NUMBER	REV.
	D	951-0292	3
SCALE	SHT	OF	
NONE	12	26	

ETHERNET SWITCHING (EFU_MUX)

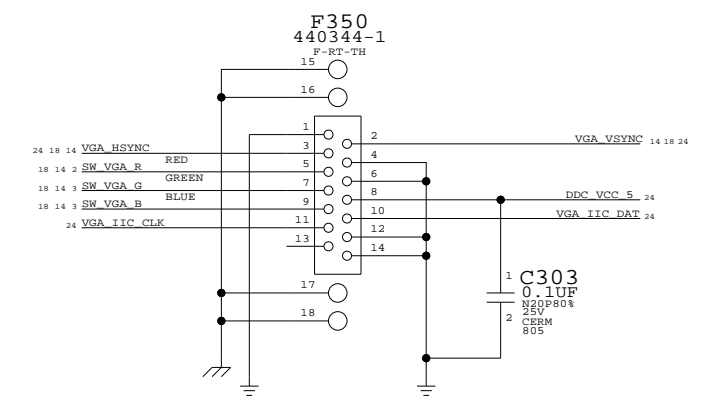


NOTICE OF PROPRIETARY PROPERTY
 THE INFORMATION CONTAINED HEREIN IS THE PROPRIETARY PROPERTY OF APPLE COMPUTER, INC. THE POSSESSOR AGREES TO THE FOLLOWING
 I TO MAINTAIN THE DOCUMENT IN CONFIDENCE
 II NOT TO REPRODUCE OR COPY IT
 III NOT TO REVEAL OR PUBLISH IN WHOLE OR PART

	SIZE	DRAWING NUMBER	REV.
	D	951-0292	3
SCALE	SHT	OF	
NONE	13	26	



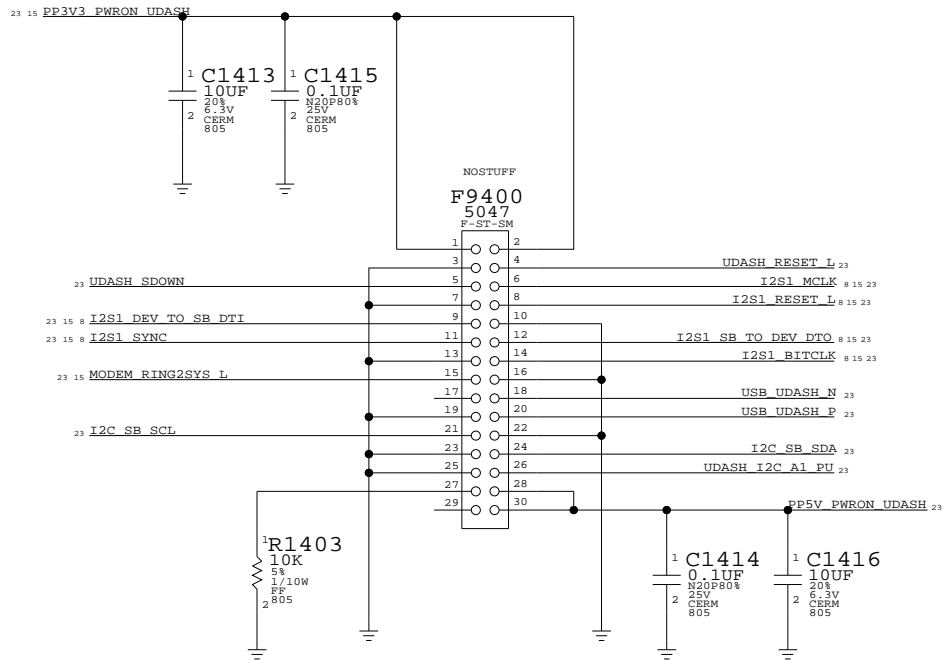
NTSC DONGLE TEST CONNECTOR



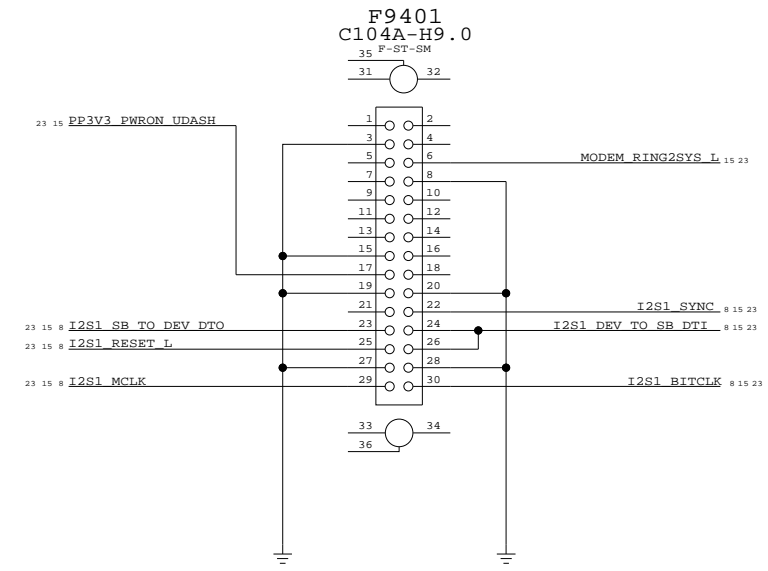
NOTICE OF PROPRIETARY PROPERTY
 THE INFORMATION CONTAINED HEREIN IS THE PROPRIETARY PROPERTY OF APPLE COMPUTER, INC. THE POSSESSOR AGREES TO THE FOLLOWING
 I TO MAINTAIN THE DOCUMENT IN CONFIDENCE
 II NOT TO REPRODUCE OR COPY IT
 III NOT TO REVEAL OR PUBLISH IN WHOLE OR PART

APPLE COMPUTER INC.	SIZE	DRAWING NUMBER	REV.
	D	951-0292	3
SCALE	SHEET	OF	
NONE	14	26	

DASH MODEM CONNECTOR



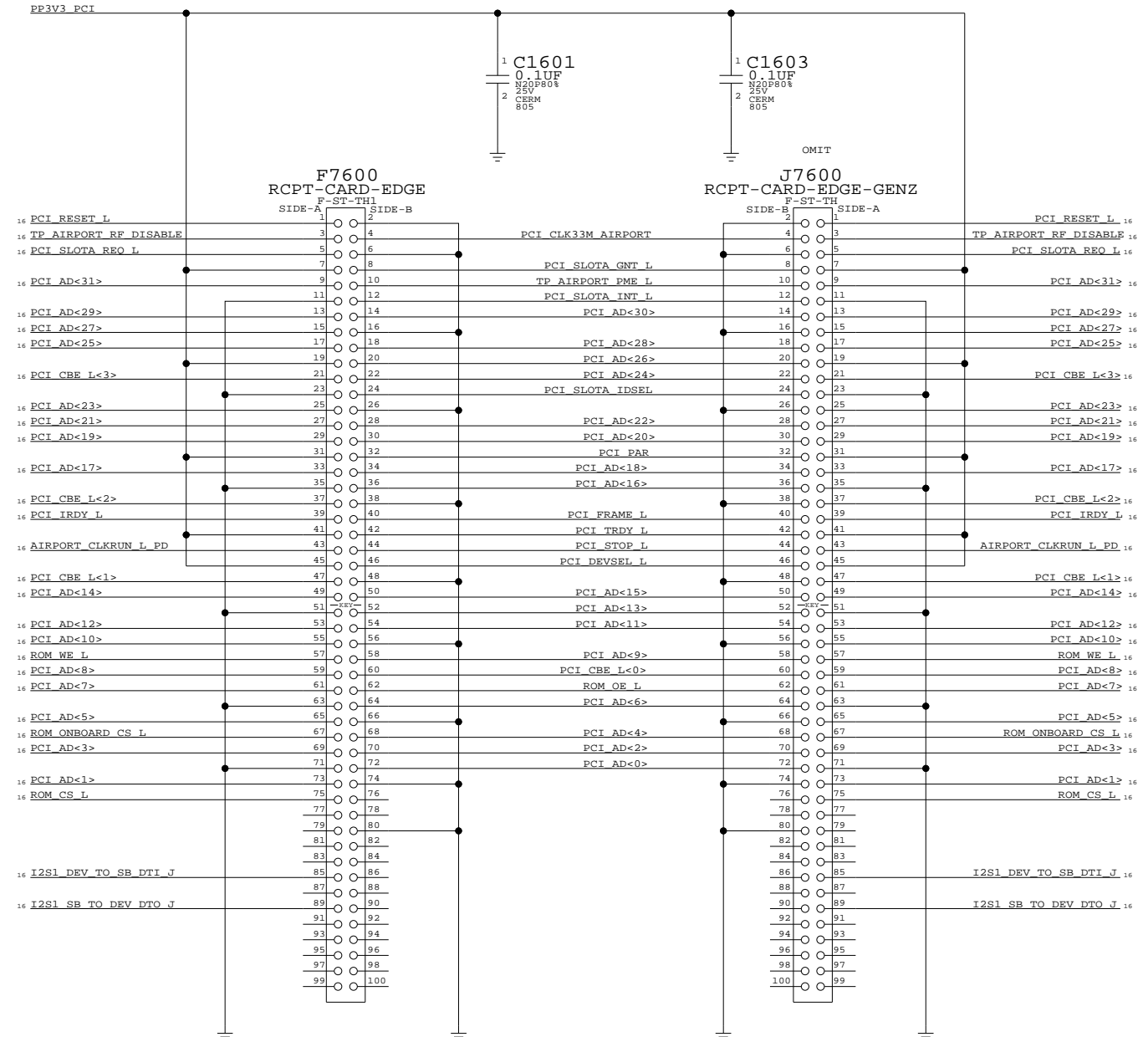
SOFT MODEM



NOTICE OF PROPRIETARY PROPERTY
 THE INFORMATION CONTAINED HEREIN IS THE PROPRIETARY PROPERTY OF APPLE COMPUTER, INC. THE POSSESSOR AGREES TO THE FOLLOWING
 I TO MAINTAIN THE DOCUMENT IN CONFIDENCE
 II NOT TO REPRODUCE OR COPY IT
 III NOT TO REVEAL OR PUBLISH IN WHOLE OR PART

	SIZE D	DRAWING NUMBER 951-0292	REV. 3
	SCALE NONE	SHEET 15	OF 26

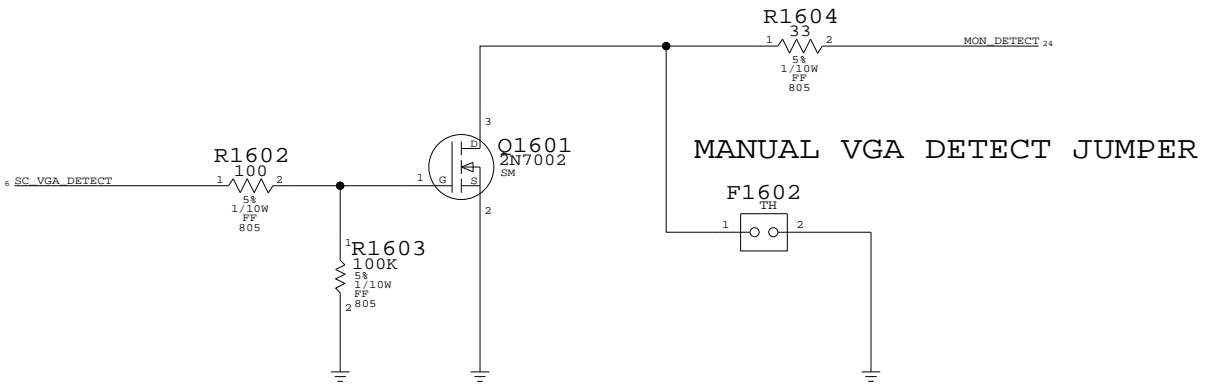
AIRPORT CARD CONNECTOR



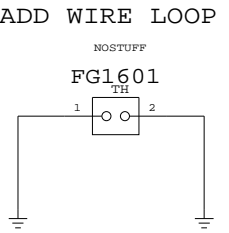
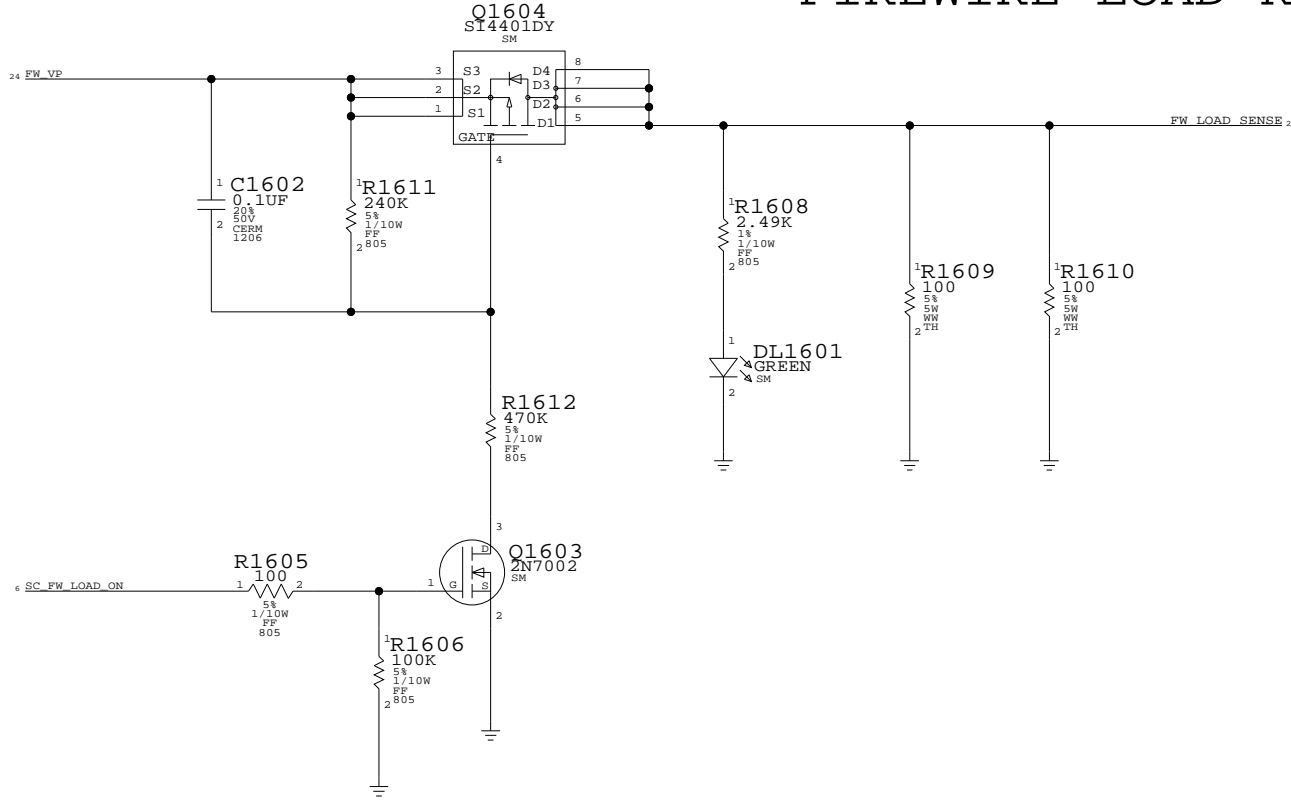
NOTICE OF PROPRIETARY PROPERTY
 THE INFORMATION CONTAINED HEREIN IS THE PROPRIETARY PROPERTY OF APPLE COMPUTER, INC. THE POSSESSOR AGREES TO THE FOLLOWING
 I TO MAINTAIN THE DOCUMENT IN CONFIDENCE
 II NOT TO REPRODUCE OR COPY IT
 III NOT TO REVEAL OR PUBLISH IN WHOLE OR PART

	SIZE	DRAWING NUMBER	REV.
	D	951-0292	3
SCALE	SHT	OF	
NONE	16	26	

VGA DETECT FOR S-VIDEO/COMPOSITE AND SVGA MONITOR



FIREWIRE LOAD RESISTOR



NOTICE OF PROPRIETARY PROPERTY
 THE INFORMATION CONTAINED HEREIN IS THE PROPRIETARY PROPERTY OF APPLE COMPUTER, INC. THE POSSESSOR AGREES TO THE FOLLOWING
 I TO MAINTAIN THE DOCUMENT IN CONFIDENCE
 II NOT TO REPRODUCE OR COPY IT
 III NOT TO REVEAL OR PUBLISH IN WHOLE OR PART

APPLE COMPUTER INC.	SIZE D	DRAWING NUMBER 951-0292	REV. 3
	SCALE NONE	SHEET 17	OF 26

8

7

6

5

4

3

2

1

D

D

C

C

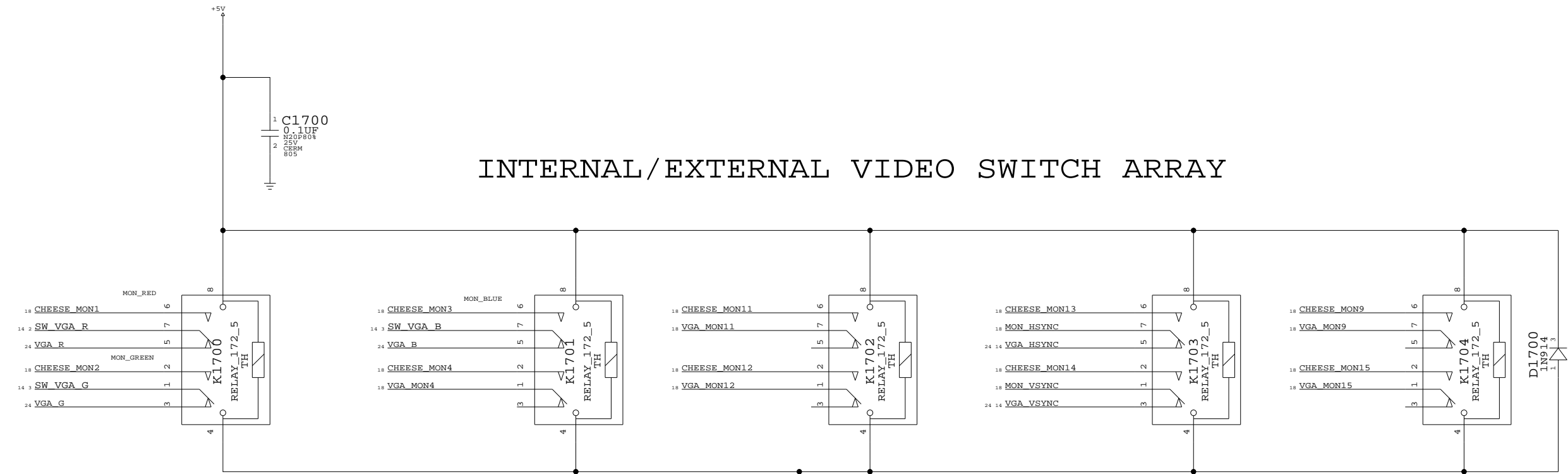
B

B

A

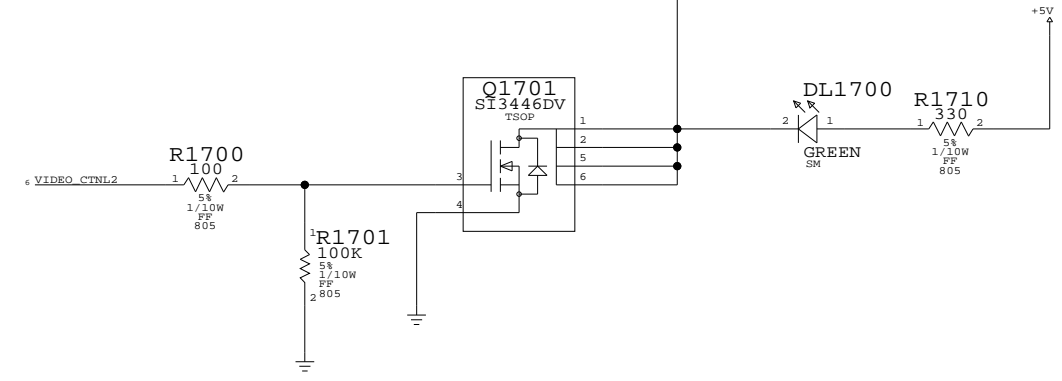
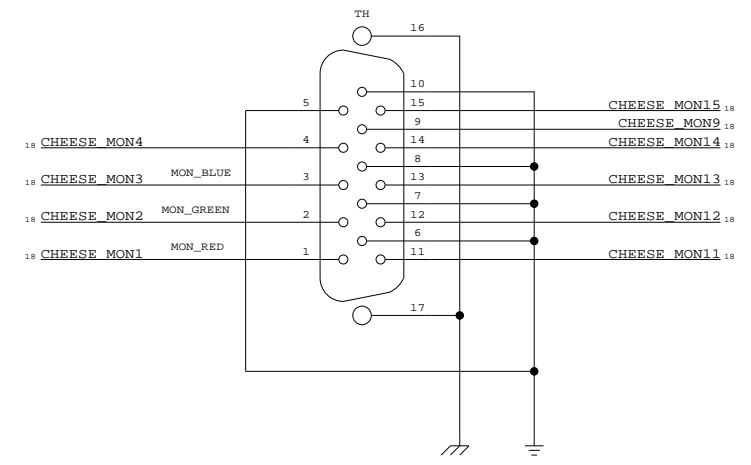
A

INTERNAL/EXTERNAL VIDEO SWITCH ARRAY



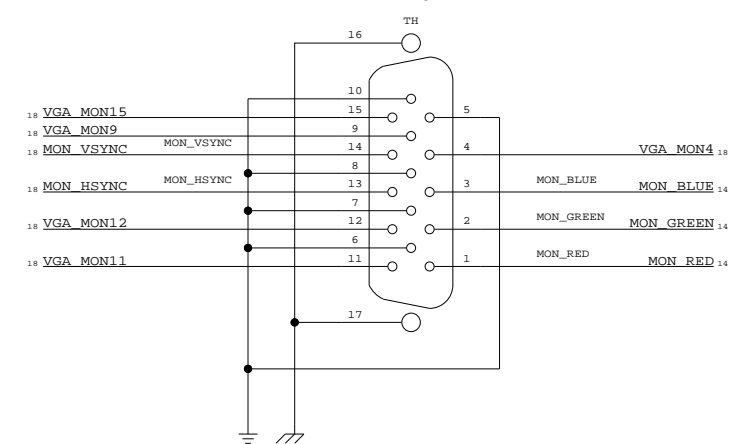
CHEESE_BOX

F1700



VGA_MON

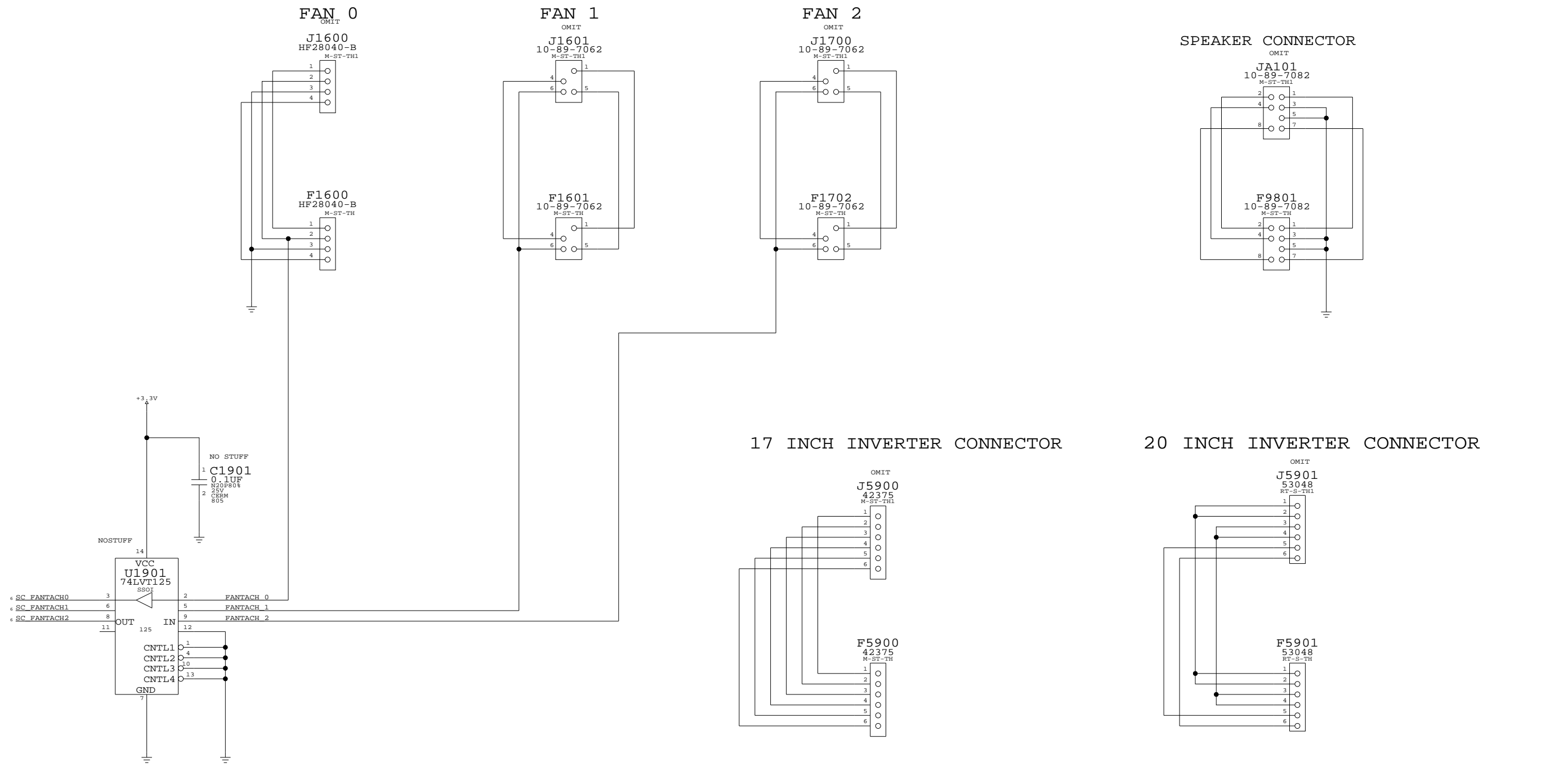
F1701



NOTICE OF PROPRIETARY PROPERTY
 THE INFORMATION CONTAINED HEREIN IS THE PROPRIETARY PROPERTY OF APPLE COMPUTER, INC. THE POSSESSOR AGREES TO THE FOLLOWING
 I TO MAINTAIN THE DOCUMENT IN CONFIDENCE
 II NOT TO REPRODUCE OR COPY IT
 III NOT TO REVEAL OR PUBLISH IN WHOLE OR PART

APPLE COMPUTER INC.	SIZE D	DRAWING NUMBER 951-0292	REV. 3
	SCALE NONE	SHEET 18	OF 26

8 7 6 5 4 3 2 1

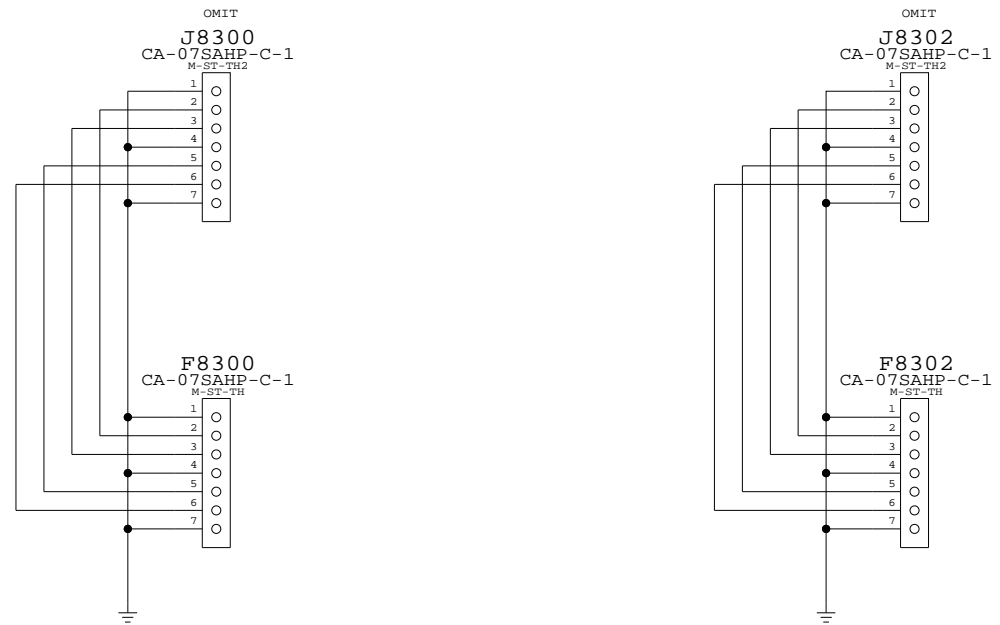


NOTICE OF PROPRIETARY PROPERTY
 THE INFORMATION CONTAINED HEREIN IS THE PROPRIETARY PROPERTY OF APPLE COMPUTER, INC. THE POSSESSOR AGREES TO THE FOLLOWING
 I TO MAINTAIN THE DOCUMENT IN CONFIDENCE
 II NOT TO REPRODUCE OR COPY IT
 III NOT TO REVEAL OR PUBLISH IN WHOLE OR PART

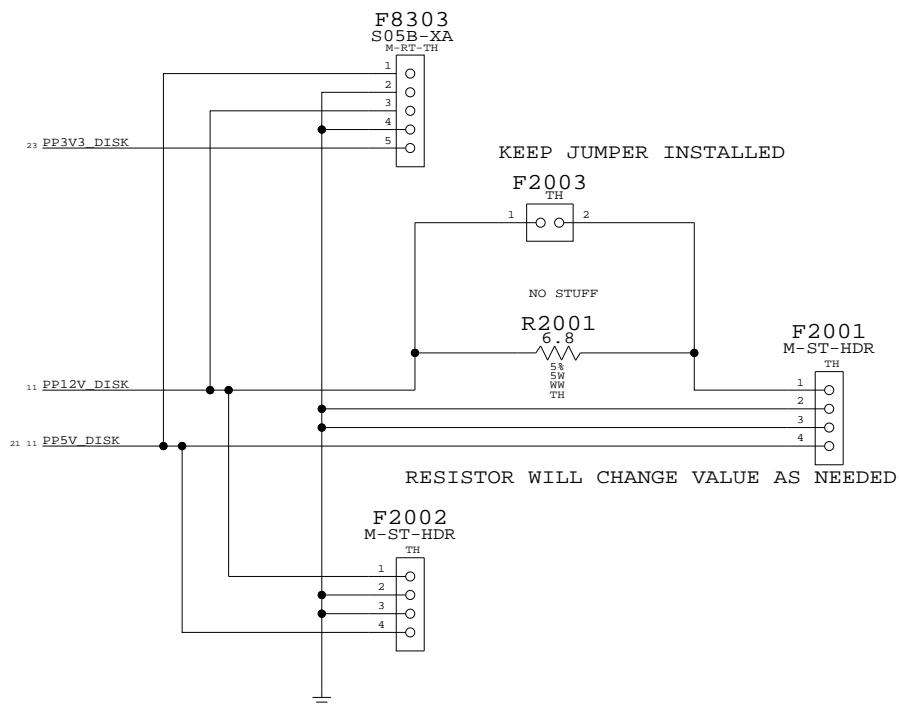
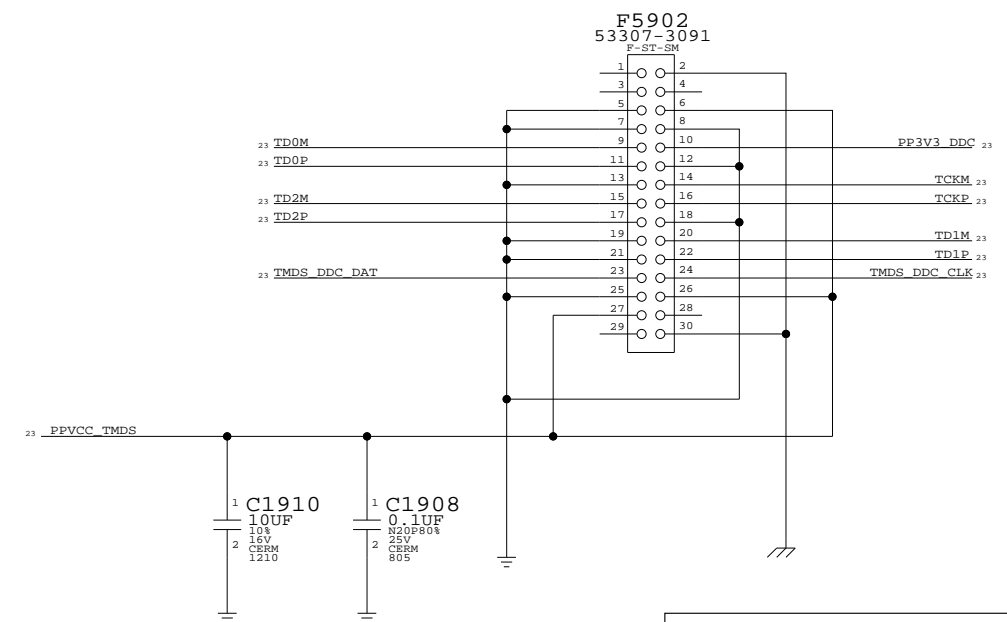
APPLE COMPUTER INC.	SIZE D	DRAWING NUMBER 951-0292	REV. 3
	SCALE NONE	SHEET 19	OF 26

8 7 6 5 4 3 2 1

SATA HARD DRIVE CONNECTOR

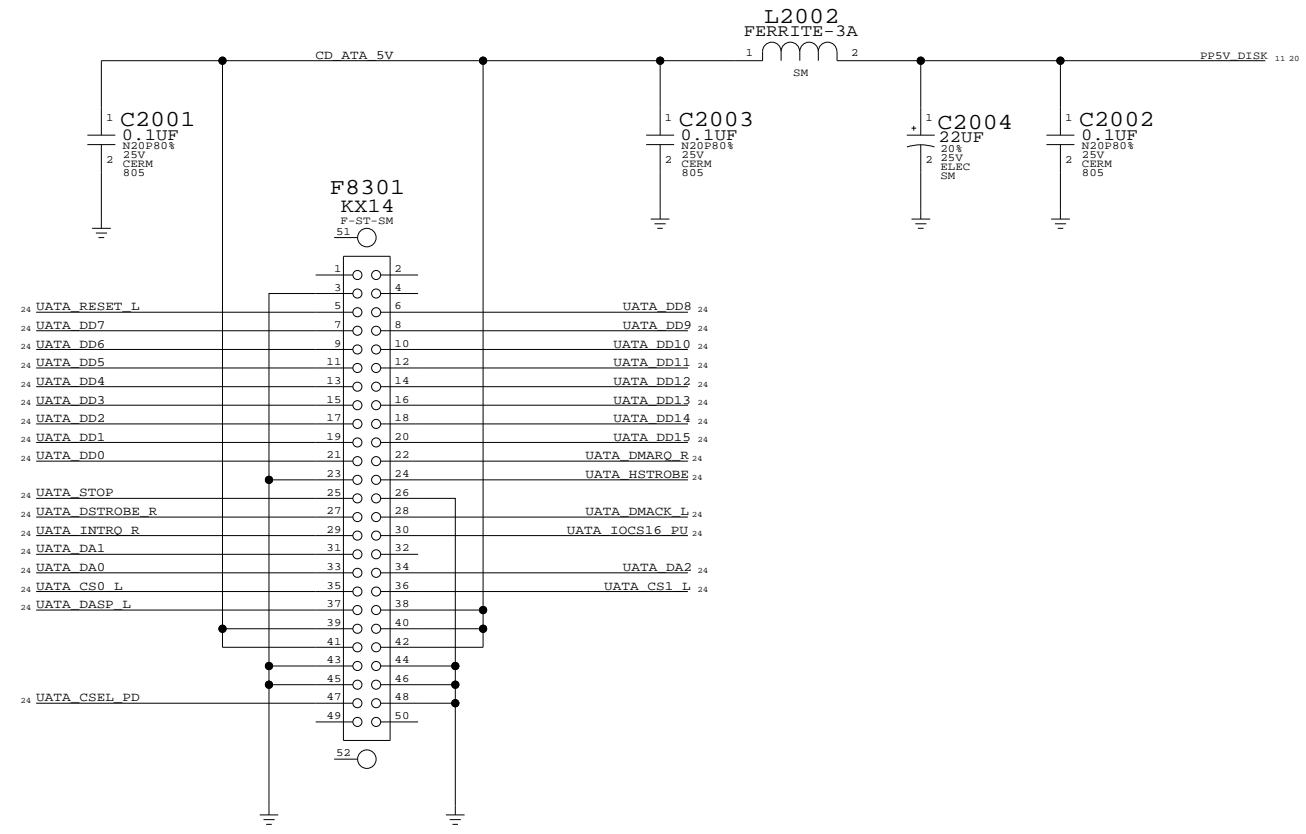


TMDS CONNECTOR



NOTICE OF PROPRIETARY PROPERTY
 THE INFORMATION CONTAINED HEREIN IS THE PROPRIETARY PROPERTY OF APPLE COMPUTER, INC. THE POSSESSOR AGREES TO THE FOLLOWING:
 I TO MAINTAIN THE DOCUMENT IN CONFIDENCE
 II NOT TO REPRODUCE OR COPY IT
 III NOT TO REVEAL OR PUBLISH IN WHOLE OR PART

	SIZE	DRAWING NUMBER	REV.
	D	951-0292	3
SCALE	SHT		OF
NONE	20		26



CONNECTOR FOR CD

NOTICE OF PROPRIETARY PROPERTY
 THE INFORMATION CONTAINED HEREIN IS THE PROPRIETARY PROPERTY OF APPLE COMPUTER, INC. THE POSSESSOR AGREES TO THE FOLLOWING
 I TO MAINTAIN THE DOCUMENT IN CONFIDENCE
 II NOT TO REPRODUCE OR COPY IT
 III NOT TO REVEAL OR PUBLISH IN WHOLE OR PART

APPLE COMPUTER INC.	SIZE D	DRAWING NUMBER 951-0292	REV. 3
	SCALE NONE	SHEET 21	OF 26

8

7

6

5

4

3

2

1

D

D

C

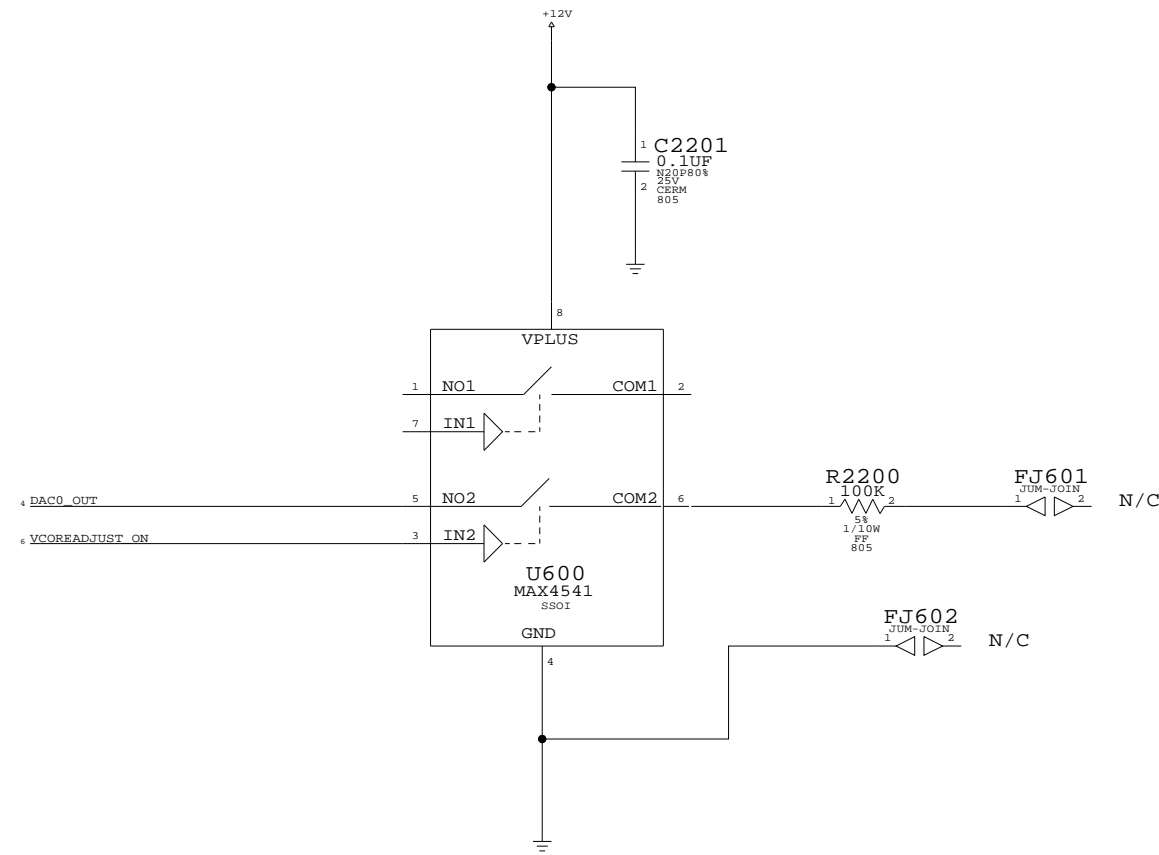
C

B

B

A

A



NOTICE OF PROPRIETARY PROPERTY
 THE INFORMATION CONTAINED HEREIN IS THE PROPRIETARY PROPERTY OF APPLE COMPUTER, INC. THE POSSESSOR AGREES TO THE FOLLOWING
 I TO MAINTAIN THE DOCUMENT IN CONFIDENCE
 II NOT TO REPRODUCE OR COPY IT
 III NOT TO REVEAL OR PUBLISH IN WHOLE OR PART

APPLE COMPUTER INC.	SIZE D	DRAWING NUMBER 951-0292	REV. 3
	SCALE NONE	SHEET 22	OF 26

8

7

6

5

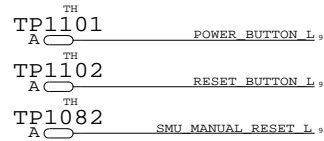
4

3

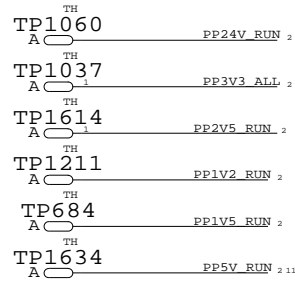
2

1

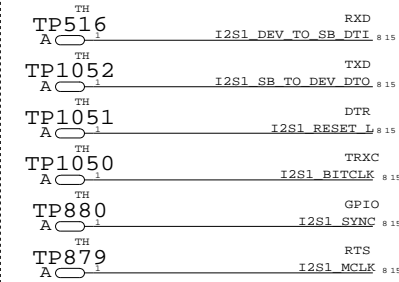
POWERON/RESET



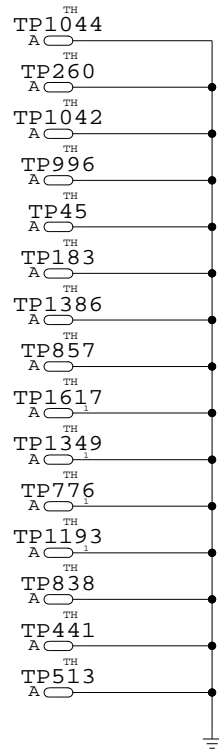
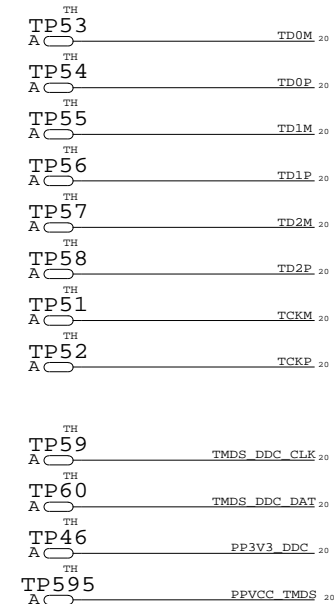
POWER & GND



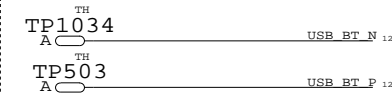
SERIAL PORT-UUT COMM



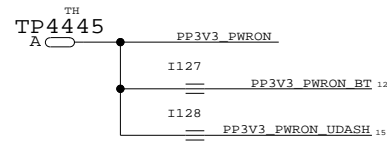
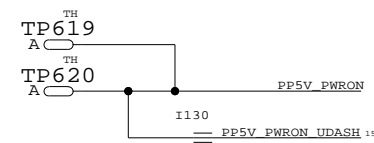
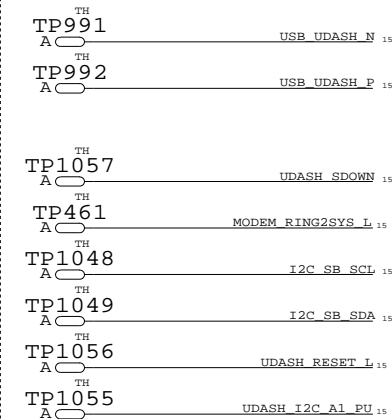
TMDS SIGNALS



BLUETOOTH/USB CONNECTIONS



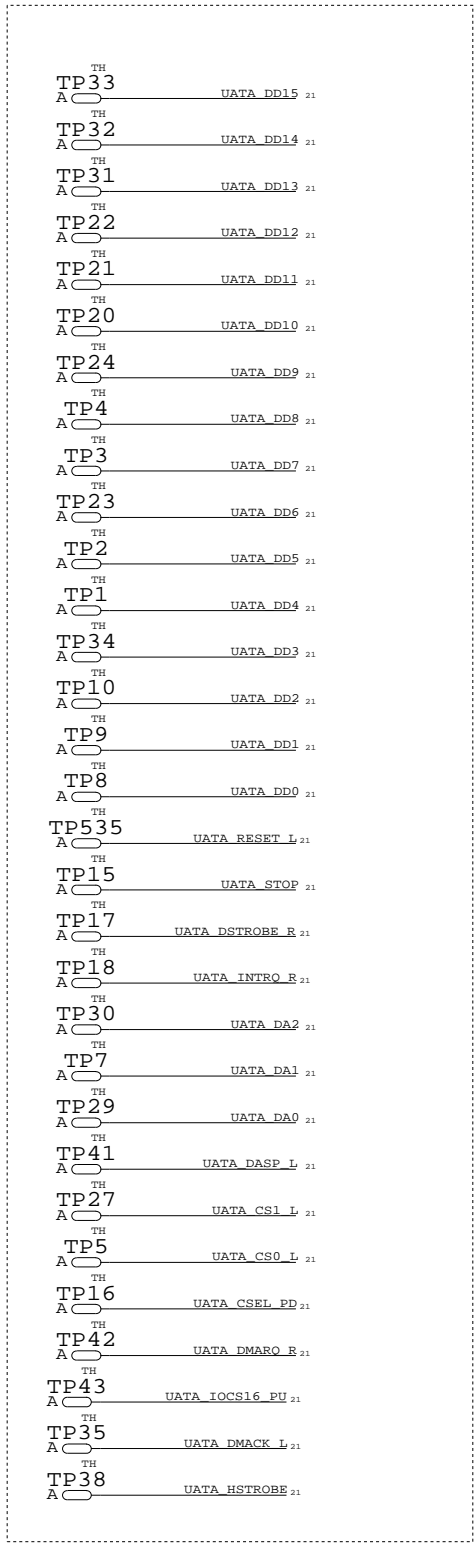
USB/OTHER FOR MODEM



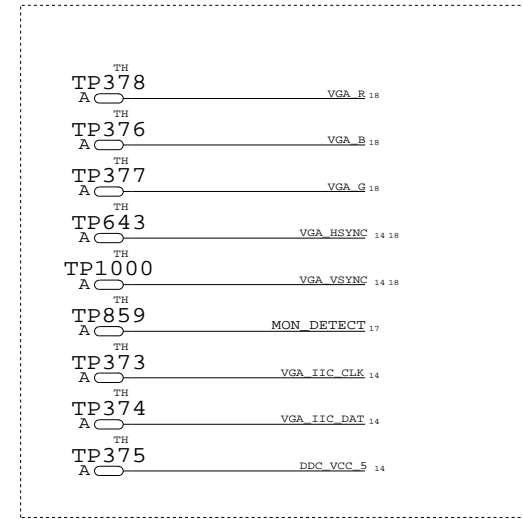
NOTICE OF PROPRIETARY PROPERTY
 THE INFORMATION CONTAINED HEREIN IS THE PROPRIETARY PROPERTY OF APPLE COMPUTER, INC. THE POSSESSOR AGREES TO THE FOLLOWING
 I TO MAINTAIN THE DOCUMENT IN CONFIDENCE
 II NOT TO REPRODUCE OR COPY IT
 III NOT TO REVEAL OR PUBLISH IN WHOLE OR PART

APPLE COMPUTER INC.	SIZE	DRAWING NUMBER	REV.
	D	951-0292	3
SCALE	SHEET		OF
NONE	23		26

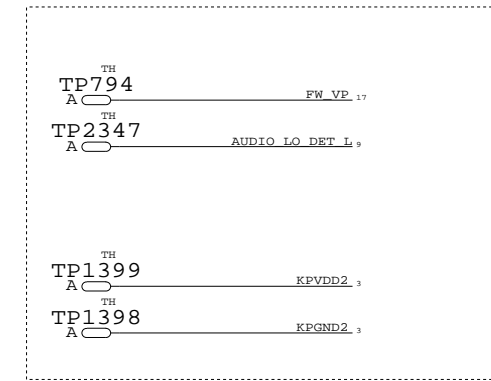
CD TP'S



EXTERNAL VIDEO



MISC SIGNALS



NOTICE OF PROPRIETARY PROPERTY
 THE INFORMATION CONTAINED HEREIN IS THE PROPRIETARY PROPERTY OF APPLE COMPUTER, INC. THE POSSESSOR AGREES TO THE FOLLOWING
 I TO MAINTAIN THE DOCUMENT IN CONFIDENCE
 II NOT TO REPRODUCE OR COPY IT
 III NOT TO REVEAL OR PUBLISH IN WHOLE OR PART

APPLE COMPUTER INC.	SIZE	DRAWING NUMBER	REV.
	D	951-0292	3
SCALE	SHEET		OF
NONE	24		26

8

7

6

5

4

3

2

1

*** Part Cross-Reference for the entire design ***

C200 CAP 2
 C201 CAP 2
 C202 CAP 2
 C203 CAP 2
 C204 CAP 2
 C205 CAP 2
 C206 CAP 2
 C207 CAP 2
 C208 CAP 2
 C209 CAP 2
 C210 CAP 2
 C211 CAP 2
 C212 CAP 2
 C230 CAP 3
 C231 CAP 3
 C232 CAP 3
 C233 CAP 3
 C234 CAP 3
 C235 CAP 3
 C236 CAP 3
 C237 CAP 3
 C238 CAP 3
 C239 CAP 3
 C240 CAP 3
 C241 CAP 3
 C242 CAP 3
 C303 CAP 14
 C304 CAP 14
 C402 CAP_P 5
 C403 CAP 5
 C404 CAP 5
 C405 CAP_P 5
 C406 CAP 5
 C407 CAP 5
 C408 CAP_P 5
 C409 CAP 5
 C410 CAP_P 5
 C411 CAP 5
 C414 CAP 5
 C415 CAP 5
 C702 CAP 8
 C703 CAP_P 8
 C704 CAP 8
 C705 CAP 8
 C706 CAP 8
 C707 CAP 8
 C708 CAP 8
 C709 CAP 8
 C710 CAP 8
 C711 CAP 8
 C712 CAP 8
 C713 CAP 8
 C714 CAP 8
 C1101 CAP 12
 C1102 CAP 12
 C1110 CAP 11
 C1301 CAP_P 13
 C1302 CAP_P 13
 C1303 CAP 13
 C1310 CAP 14
 C1311 CAP 14
 C1312 CAP_P 14
 C1313 CAP_P 14
 C1413 CAP 15
 C1414 CAP 15
 C1415 CAP 15
 C1416 CAP 15
 C1601 CAP 16
 C1602 CAP 17
 C1603 CAP 16
 C1700 CAP 18
 C1901 CAP 19
 C1908 CAP 20
 C1910 CAP 20
 C2001 CAP 21
 C2002 CAP 21
 C2003 CAP 21
 C2004 CAP_P 21
 C2201 CAP 22
 D200 VREF_LM336_T092 2
 D901 DIODE 14
 D902 DIODE 14
 D903 DIODE 14
 D904 DIODE 14
 D1101 DIODE 11
 D1102 DIODE 12
 D1103 DIODE 12
 D1700 DIODE 18
 DL2 LED 7
 DL3 LED 7
 DL4 LED 7
 DL5 LED 7
 DL6 LED 7
 DL1100 LED 12
 DL1101 LED 12
 DL1102 LED 12
 DL1601 LED 17
 DL1700 LED 18
 F105 COM_M50ST_HBIA 6
 F106 COM_M70ST_S_TH 6
 F204 COM_M28T_HCR_ENAP 4
 F230 COM_M11ST_100P 3
 F231 COM_M11ST_100P 3
 F350 COM_F148T_D48T_TH1 14
 F401 COM_M22ST_HTEMP 5
 F402 COM 5
 F700 COM_M22ST_HTEMP 11
 F802 COM_108T_HCR 8
 F806 COM_M68T_HCR 8
 F1100 COM_F48T_USB_A 12
 F1101 COM_F48T_USB_A 12
 F1102 COM_F48T_USB_A 12
 F1301 COM_M50ST_HBIA 13
 F1302 COM_M40ST_HCR 13
 F1310 COM_F68T_S48T_TH1 13
 F1311 COM_F68T_S48T_TH1 13
 F1600 COM_M48T_LCR 19
 F1601 COM_M48T_D_TH1 19
 F1602 COM_M28T_HCR_ENAP 17
 F1700 COM_F158T_D8L2 18
 F1701 COM_F158T_D8L2 18
 F1702 COM_M48T_D_TH1 19
 F2001 COM_M48T_HCR 20
 F2002 COM_M48T_HCR 20
 F2003 COM_M28T_HCR_ENAP 20
 F8900 COM_M68T_S_TH 19
 F8901 COM_M68T_S_TH 19
 F8902 COM_F308T_D_SM 20
 F8903 COM_F108T_D_TH 16
 F8904 COM_M70ST_SATA_TH 20
 F8905 COM_F508T_D28T_SM 21
 F8906 COM_M70ST_SATA_TH 20
 F8907 COM_M68T_S_TH 20
 F9240 COM_M108T_D_SMA 12
 F9400 COM_F308T_D_SM 15
 F9401 COM_F308T_D28T_SM 15
 F9801 COM_M70ST_D_TH1 19
 F9802 COM_M70ST_D_TH1 19
 F9803 COM_M28T_HCR_ENAP 2
 F9804 COM_M28T_HCR_ENAP 17
 F9805 COM_M28T_HCR_ENAP 17
 F9806 COM_M28T_HCR_ENAP 17
 F9807 COM_M28T_HCR_ENAP 17
 F9808 COM_M28T_HCR_ENAP 17
 F9809 COM_M28T_HCR_ENAP 17
 F9810 COM_M28T_HCR_ENAP 17
 F9811 COM_M28T_HCR_ENAP 17
 F9812 COM_M28T_HCR_ENAP 17
 F9813 COM_M28T_HCR_ENAP 17
 F9814 COM_M28T_HCR_ENAP 17
 F9815 COM_M28T_HCR_ENAP 17
 F9816 COM_M28T_HCR_ENAP 17
 F9817 COM_M28T_HCR_ENAP 17
 F9818 COM_M28T_HCR_ENAP 17
 F9819 COM_M28T_HCR_ENAP 17
 F9820 COM_M28T_HCR_ENAP 17
 F9821 COM_M28T_HCR_ENAP 17
 F9822 COM_M28T_HCR_ENAP 17
 F9823 COM_M28T_HCR_ENAP 17
 F9824 COM_M28T_HCR_ENAP 17
 F9825 COM_M28T_HCR_ENAP 17
 F9826 COM_M28T_HCR_ENAP 17
 F9827 COM_M28T_HCR_ENAP 17
 F9828 COM_M28T_HCR_ENAP 17
 F9829 COM_M28T_HCR_ENAP 17
 F9830 COM_M28T_HCR_ENAP 17
 J700 COM_F228T_D_TH1 11
 J802 COM_108T_HCR 8
 J1600 COM_M48T_LCR 19
 J1601 COM_M48T_D_TH1 19
 J1700 COM_M48T_D_TH1 19
 J8900 COM_M68T_S_TH 19
 J8901 COM_M68T_S_TH 19
 J8902 COM_F108T_D_TH 16
 J8903 COM_M70ST_SATA_TH 20
 J8904 COM_F508T_D28T_SM 21
 J8905 COM_M70ST_SATA_TH 20
 J8906 COM_M68T_S_TH 19
 J8907 COM_M68T_S_TH 19
 J8908 COM_F308T_D_SM 15
 J8909 COM_F308T_D28T_SM 15
 J9210 COM_F48T_USB_S38T_TH 12
 J9220 COM_F48T_USB_S38T_TH 12
 J9230 COM_F48T_USB_S38T_TH 12
 JA101 COM_M70ST_D_TH1 19
 K1101 RELAY_4P 11
 K1102 RELAY_172_S 12
 K1103 RELAY_172_S 12
 K1700 RELAY_172_S 18
 K1701 RELAY_172_S 18
 K1702 RELAY_172_S 18
 K1703 RELAY_172_S 18
 K1704 RELAY_172_S 18
 L200 IND 2

L201 IND 2
 L202 IND 2
 L203 IND 2
 L204 IND 2
 L205 IND 2
 L230 IND 3
 L231 IND 3
 L232 IND 3
 L233 IND 3
 L234 IND 3
 L235 IND 3
 L1102 IND 12
 L1300 IND 14
 L1301 IND 14
 L2002 IND 21
 P2 COM_P98T_D18 8
 Q400 TRA_287002 9
 Q401 TRA_287002 9
 Q402 TRA_287002 9
 Q406 TRA_287002 9
 Q1101 TRA_SI3446DV 11
 Q1102 TRA_SI3446DV 12
 Q1103 TRA_SI3446DV 12
 Q1104 TRA_SI3446DV 12
 Q1601 TRA_287002 17
 Q1603 TRA_287002 17
 Q1604 TRA_SI4401DV 17
 Q1701 TRA_SI3446DV 18
 R202 RES 2
 R204 RES 2
 R205 RES 2
 R208 RES 2
 R209 RES 2
 R220 RES 2
 R221 RES 2
 R222 RES 2
 R240 RES 2
 R241 RES 5
 R270 RES 3
 R301 RES 14
 R302 RES 14
 R303 RES 14
 R304 RES 14
 R305 RES 14
 R501 RES 5
 R502 RES 9
 R503 RES 9
 R504 RES 9
 R511 RES 9
 R512 RES 9
 R513 RES 9
 R514 RES 9
 R515 RES 9
 R516 RES 9
 R517 RES 9
 R518 RES 9
 R519 RES 9
 R520 RES 9
 R521 RES 9
 R522 RES 9
 R523 RES 9
 R524 RES 9
 R525 RES 9
 R526 RES 9
 R527 RES 9
 R528 RES 9
 R529 RES 9
 R530 RES 9
 R531 RES 9
 R532 RES 9
 R533 RES 9
 R534 RES 9
 R535 RES 9
 R536 RES 9
 R537 RES 9
 R538 RES 9
 R539 RES 9
 R540 RES 9
 R541 RES 9
 R542 RES 9
 R543 RES 9
 R544 RES 9
 R545 RES 9
 R546 RES 9
 R547 RES 9
 R548 RES 9
 R549 RES 9
 R550 RES 9
 R551 RES 9
 R552 RES 9
 R553 RES 9
 R554 RES 9
 R555 RES 9
 R556 RES 9
 R557 RES 9
 R558 RES 9
 R559 RES 9
 R560 RES 9
 R561 RES 9
 R562 RES 9
 R563 RES 9
 R564 RES 9
 R565 RES 9
 R566 RES 9
 R567 RES 9
 R568 RES 9
 R569 RES 9
 R570 RES 9
 R571 RES 9
 R572 RES 9
 R573 RES 9
 R574 RES 9
 R575 RES 9
 R576 RES 9
 R577 RES 9
 R578 RES 9
 R579 RES 9
 R580 RES 9
 R581 RES 9
 R582 RES 9
 R583 RES 9
 R584 RES 9
 R585 RES 9
 R586 RES 9
 R587 RES 9
 R588 RES 9
 R589 RES 9
 R590 RES 9
 R591 RES 9
 R592 RES 9
 R593 RES 9
 R594 RES 9
 R595 RES 9
 R596 RES 9
 R597 RES 9
 R598 RES 9
 R599 RES 9
 R600 RES 9
 R601 RES 9
 R602 RES 9
 R603 RES 9
 R604 RES 9
 R605 RES 9
 R606 RES 9
 R607 RES 9
 R608 RES 9
 R609 RES 9
 R610 RES 9
 R611 RES 9
 R612 RES 9
 R613 RES 9
 R614 RES 9
 R615 RES 9
 R616 RES 9
 R617 RES 9
 R618 RES 9
 R619 RES 9
 R620 RES 9
 R621 RES 9
 R622 RES 9
 R623 RES 9
 R624 RES 9
 R625 RES 9
 R626 RES 9
 R627 RES 9
 R628 RES 9
 R629 RES 9
 R630 RES 9
 R631 RES 9
 R632 RES 9
 R633 RES 9
 R634 RES 9
 R635 RES 9
 R636 RES 9
 R637 RES 9
 R638 RES 9
 R639 RES 9
 R640 RES 9
 R641 RES 9
 R642 RES 9
 R643 RES 9
 R644 RES 9
 R645 RES 9
 R646 RES 9
 R647 RES 9
 R648 RES 9
 R649 RES 9
 R650 RES 9
 R651 RES 9
 R652 RES 9
 R653 RES 9
 R654 RES 9
 R655 RES 9
 R656 RES 9
 R657 RES 9
 R658 RES 9
 R659 RES 9
 R660 RES 9
 R661 RES 9
 R662 RES 9
 R663 RES 9
 R664 RES 9
 R665 RES 9
 R666 RES 9
 R667 RES 9
 R668 RES 9
 R669 RES 9
 R670 RES 9
 R671 RES 9
 R672 RES 9
 R673 RES 9
 R674 RES 9
 R675 RES 9
 R676 RES 9
 R677 RES 9
 R678 RES 9
 R679 RES 9
 R680 RES 9
 R681 RES 9
 R682 RES 9
 R683 RES 9
 R684 RES 9
 R685 RES 9
 R686 RES 9
 R687 RES 9
 R688 RES 9
 R689 RES 9
 R690 RES 9
 R691 RES 9
 R692 RES 9
 R693 RES 9
 R694 RES 9
 R695 RES 9
 R696 RES 9
 R697 RES 9
 R698 RES 9
 R699 RES 9
 R700 RES 9
 R701 RES 9
 R702 RES 9
 R703 RES 9
 R704 RES 9
 R705 RES 9
 R706 RES 9
 R707 RES 9
 R708 RES 9
 R709 RES 9
 R710 RES 9
 R711 RES 9
 R712 RES 9
 R713 RES 9
 R714 RES 9
 R715 RES 9
 R716 RES 9
 R717 RES 9
 R718 RES 9
 R719 RES 9
 R720 RES 9
 R721 RES 9
 R722 RES 9
 R723 RES 9
 R724 RES 9
 R725 RES 9
 R726 RES 9
 R727 RES 9
 R728 RES 9
 R729 RES 9
 R730 RES 9
 R731 RES 9
 R732 RES 9
 R733 RES 9
 R734 RES 9
 R735 RES 9
 R736 RES 9
 R737 RES 9
 R738 RES 9
 R739 RES 9
 R740 RES 9
 R741 RES 9
 R742 RES 9
 R743 RES 9
 R744 RES 9
 R745 RES 9
 R746 RES 9
 R747 RES 9
 R748 RES 9
 R749 RES 9
 R750 RES 9
 R751 RES 9
 R752 RES 9
 R753 RES 9
 R754 RES 9
 R755 RES 9
 R756 RES 9
 R757 RES 9
 R758 RES 9
 R759 RES 9
 R760 RES 9
 R761 RES 9
 R762 RES 9
 R763 RES 9
 R764 RES 9
 R765 RES 9
 R766 RES 9
 R767 RES 9
 R768 RES 9
 R769 RES 9
 R770 RES 9
 R771 RES 9
 R772 RES 9
 R773 RES 9
 R774 RES 9
 R775 RES 9
 R776 RES 9
 R777 RES 9
 R778 RES 9
 R779 RES 9
 R780 RES 9
 R781 RES 9
 R782 RES 9
 R783 RES 9
 R784 RES 9
 R785 RES 9
 R786 RES 9
 R787 RES 9
 R788 RES 9
 R789 RES 9
 R790 RES 9
 R791 RES 9
 R792 RES 9
 R793 RES 9
 R794 RES 9
 R795 RES 9
 R796 RES 9
 R797 RES 9
 R798 RES 9
 R799 RES 9
 R800 RES 9
 R801 RES 9
 R802 RES 9
 R803 RES 9
 R804 RES 9
 R805 RES 9
 R806 RES 9
 R807 RES 9
 R808 RES 9
 R809 RES 9
 R810 RES 9
 R811 RES 9
 R812 RES 9
 R813 RES 9
 R814 RES 9
 R815 RES 9
 R816 RES 9
 R817 RES 9
 R818 RES 9
 R819 RES 9
 R820 RES 9
 R821 RES 9
 R822 RES 9
 R823 RES 9
 R824 RES 9
 R825 RES 9
 R826 RES 9
 R827 RES 9
 R828 RES 9
 R829 RES 9
 R830 RES 9
 R831 RES 9
 R832 RES 9
 R833 RES 9
 R834 RES 9
 R835 RES 9
 R836 RES 9
 R837 RES 9
 R838 RES 9
 R839 RES 9
 R840 RES 9
 R841 RES 9
 R842 RES 9
 R843 RES 9
 R844 RES 9
 R845 RES 9
 R846 RES 9
 R847 RES 9
 R848 RES 9
 R849 RES 9
 R850 RES 9
 R851 RES 9
 R852 RES 9
 R853 RES 9
 R854 RES 9
 R855 RES 9
 R856 RES 9
 R857 RES 9
 R858 RES 9
 R859 RES 9
 R860 RES 9
 R861 RES 9
 R862 RES 9
 R863 RES 9
 R864 RES 9
 R865 RES 9
 R866 RES 9
 R867 RES 9
 R868 RES 9
 R869 RES 9
 R870 RES 9
 R871 RES 9
 R872 RES 9
 R873 RES 9
 R874 RES 9
 R875 RES 9
 R876 RES 9
 R877 RES 9
 R878 RES 9
 R879 RES 9
 R880 RES 9
 R881 RES 9
 R882 RES 9
 R883 RES 9
 R884 RES 9
 R885 RES 9
 R886 RES 9
 R887 RES 9
 R888 RES 9
 R889 RES 9
 R890 RES 9
 R891 RES 9
 R892 RES 9
 R893 RES 9
 R894 RES 9
 R895 RES 9
 R896 RES 9
 R897 RES 9
 R898 RES 9
 R899 RES 9
 R900 RES 9
 R901 RES 9
 R902 RES 9
 R903 RES 9
 R904 RES 9
 R905 RES 9
 R906 RES 9
 R907 RES 9
 R908 RES 9
 R909 RES 9
 R910 RES 9
 R911 RES 9
 R912 RES 9
 R913 RES 9
 R914 RES 9
 R915 RES 9
 R916 RES 9
 R917 RES 9
 R918 RES 9
 R919 RES 9
 R920 RES 9
 R921 RES 9
 R922 RES 9
 R923 RES 9
 R924 RES 9
 R925 RES 9
 R926 RES 9
 R927 RES 9
 R928 RES 9
 R929 RES 9
 R930 RES 9
 R931 RES 9
 R932 RES 9
 R933 RES 9
 R934 RES 9
 R935 RES 9
 R936 RES 9
 R937 RES 9
 R938 RES 9
 R939 RES 9
 R940 RES 9
 R941 RES 9
 R942 RES 9
 R943 RES 9
 R944 RES 9
 R945 RES 9
 R946 RES 9
 R947 RES 9
 R948 RES 9
 R949 RES 9
 R950 RES 9
 R951 RES 9
 R952 RES 9
 R953 RES 9
 R954 RES 9
 R955 RES 9
 R956 RES 9
 R957 RES 9
 R958 RES 9
 R959 RES 9
 R960 RES 9
 R961 RES 9
 R962 RES 9
 R963 RES 9
 R964 RES 9
 R965 RES 9
 R966 RES 9
 R967 RES 9
 R968 RES 9
 R969 RES 9
 R970 RES 9
 R971 RES 9
 R972 RES 9
 R973 RES 9
 R974 RES 9
 R975 RES 9
 R976 RES 9
 R977 RES 9
 R978 RES 9
 R979 RES 9
 R980 RES 9
 R981 RES 9
 R982 RES 9
 R983 RES 9
 R984 RES 9
 R985 RES 9
 R986 RES 9
 R987 RES 9
 R988 RES 9
 R989 RES 9
 R990 RES 9
 R991 RES 9
 R992 RES 9
 R993 RES 9
 R994 RES 9
 R995 RES 9
 R996 RES 9
 R997 RES 9
 R998 RES 9
 R999 RES 9
 T9776 TP 23
 T9777 TP 23
 T9778 TP 23
 T9779 TP 23
 T9780 TP 23
 T9781 TP 23
 T9782 TP 23
 T9783 TP 23
 T9784 TP 23
 T9785 TP 23
 T9786 TP 23
 T9787 TP 23
 T9788 TP 23
 T9789 TP 23
 T9790 TP 23
 T9791 TP 23
 T9792 TP 23
 T9793 TP 23
 T9794 TP 23
 T9795 TP 23
 T9796 TP 23
 T9797 TP 23
 T9798 TP 23
 T9799 TP 23
 T9800 TP 23
 T9801 TP 23
 T9802 TP 23
 T9803 TP 23
 T9804 TP 23
 T9805 TP 23
 T9806 TP 23
 T9807 TP 23
 T9808 TP 23
 T9809 TP 23
 T9810 TP 23
 T9811 TP 23
 T9812 TP 23
 T9813 TP 23
 T9814 TP 23
 T9815 TP 23
 T9816 TP 23
 T9817 TP 23
 T9818 TP 23
 T9819 TP 23
 T9820 TP 23
 T9821 TP 23
 T9822 TP 23
 T9823 TP 23
 T9824 TP 23
 T9825 TP 23
 T9826 TP 23
 T9827 TP 23
 T9828 TP 23
 T9829 TP 23
 T9830 TP 23
 T9831 TP 23
 T9832 TP 23
 T9833 TP 23
 T9834 TP 23
 T9835 TP 23
 T9836 TP 23
 T9837 TP 23
 T9838 TP 23
 T9839 TP 23
 T9840 TP 23
 T9841 TP 23
 T9842 TP 23
 T9843 TP 23
 T9844 TP 23
 T9845 TP 23
 T9846 TP 23
 T9847 TP 23
 T9848 TP 23
 T9849 TP 23
 T9850 TP 23
 T9851 TP 23
 T9852 TP 23
 T9853 TP 23
 T9854 TP 23
 T9855 TP 23
 T9856 TP 23
 T9857 TP 23
 T9858 TP 23
 T9859 TP 23
 T9860 TP 23
 T9861 TP 23
 T9862 TP 23
 T9863 TP 23
 T9864 TP 23
 T9865 TP 23
 T9866 TP 23
 T9867 TP 23
 T9868 TP 23
 T9869 TP 23
 T9870 TP 23
 T9871 TP 23
 T9872 TP 23
 T9873 TP 23
 T9874 TP 23
 T9875 TP 23
 T9876 TP 23
 T9877 TP 23
 T9878 TP 23
 T9879 TP 23
 T9880 TP 23
 T9881 TP 23
 T9882 TP 23
 T9883 TP 23
 T9884 TP 23
 T9885 TP 23
 T9886 TP 23
 T9887 TP 23
 T9888 TP 23
 T9889 TP 23
 T9890 TP 23
 T9891 TP 23
 T9892 TP 23
 T9893 TP 23
 T9894 TP 23
 T9895 TP 23
 T9896 TP 23
 T9897 TP 23
 T9898 TP 23
 T9899 TP 23
 T9900 TP 23
 T9901 TP 23
 T9902 TP 23
 T9903 TP 23
 T9904 TP 23
 T9905 TP 23
 T9906 TP 23
 T9907 TP 23
 T9908 TP 23
 T9909 TP 23
 T9910 TP 23
 T9911 TP 23
 T9912 TP 23
 T9913 TP 23
 T9914 TP 23
 T9915 TP 23
 T9916 TP 23
 T9917 TP 23
 T9918 TP 23
 T9919 TP 23
 T9920 TP 23
 T9921 TP 23
 T9922 TP 23
 T9923 TP 23
 T9924 TP 23
 T9925 TP 23
 T9926 TP 23
 T9927 TP 23
 T9928 TP 23
 T9929 TP 23
 T9930 TP 23
 T9931 TP 23
 T9932 TP 23
 T9933 TP 23
 T9934 TP 23
 T9935 TP 23
 T9936 TP 23
 T9937 TP 23
 T9938 TP 23
 T9939 TP 23
 T9940 TP 23
 T9941 TP 23
 T9942 TP 23
 T9943 TP 23
 T9944 TP 23
 T9945 TP 23
 T9946 TP 23
 T9947 TP 23
 T9948 TP 23
 T9949 TP 23
 T9950 TP 23
 T9951 TP 23
 T9952 TP 23
 T9953 TP 23
 T9954 TP 23
 T9955 TP 23
 T9956 TP 23
 T9957 TP 23
 T9958 TP 23
 T9959 TP 23
 T9960 TP 23
 T9961 TP 23
 T9962 TP 23
 T9963 TP 23
 T9964 TP 23
 T9965 TP 23
 T9966 TP 23
 T9967 TP 23
 T9968 TP 23
 T9969 TP 23
 T9970 TP 23
 T9971 TP 23
 T9972 TP 23
 T9973 TP 23
 T9974 TP 23
 T9975 TP 23
 T9976 TP 23
 T9977 TP 23
 T9978 TP 23
 T9979 TP 23
 T9980 TP 23
 T9981 TP 23
 T9982 TP 23
 T9983 TP 23
 T9984 TP 23
 T9985 TP 23
 T9986 TP 23
 T9987 TP 23
 T9988 TP 23
 T9989 TP 23
 T9990 TP 23
 T9991 TP 23
 T9992 TP 23
 T9993 TP 23
 T9994 TP 23
 T9995 TP 23
 T9996 TP 23
 T9997 TP 23
 T9998 TP 23
 T9999 TP 23
 U20