

8

7

6

5

4

3

2

1

- 1. ALL RESISTANCE VALUES ARE IN OHMS, 0.1 WATT +/- 5%.
- 2. ALL CAPACITANCE VALUES ARE IN MICROFARADS.
- 3. ALL CRYSTALS & OSCILLATOR VALUES ARE IN HERTZ.


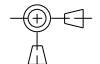
REV	ZONE	ECN	DESCRIPTION OF CHANGE	CK APPD	ENG APPD
				DATE	DATE
				?	?

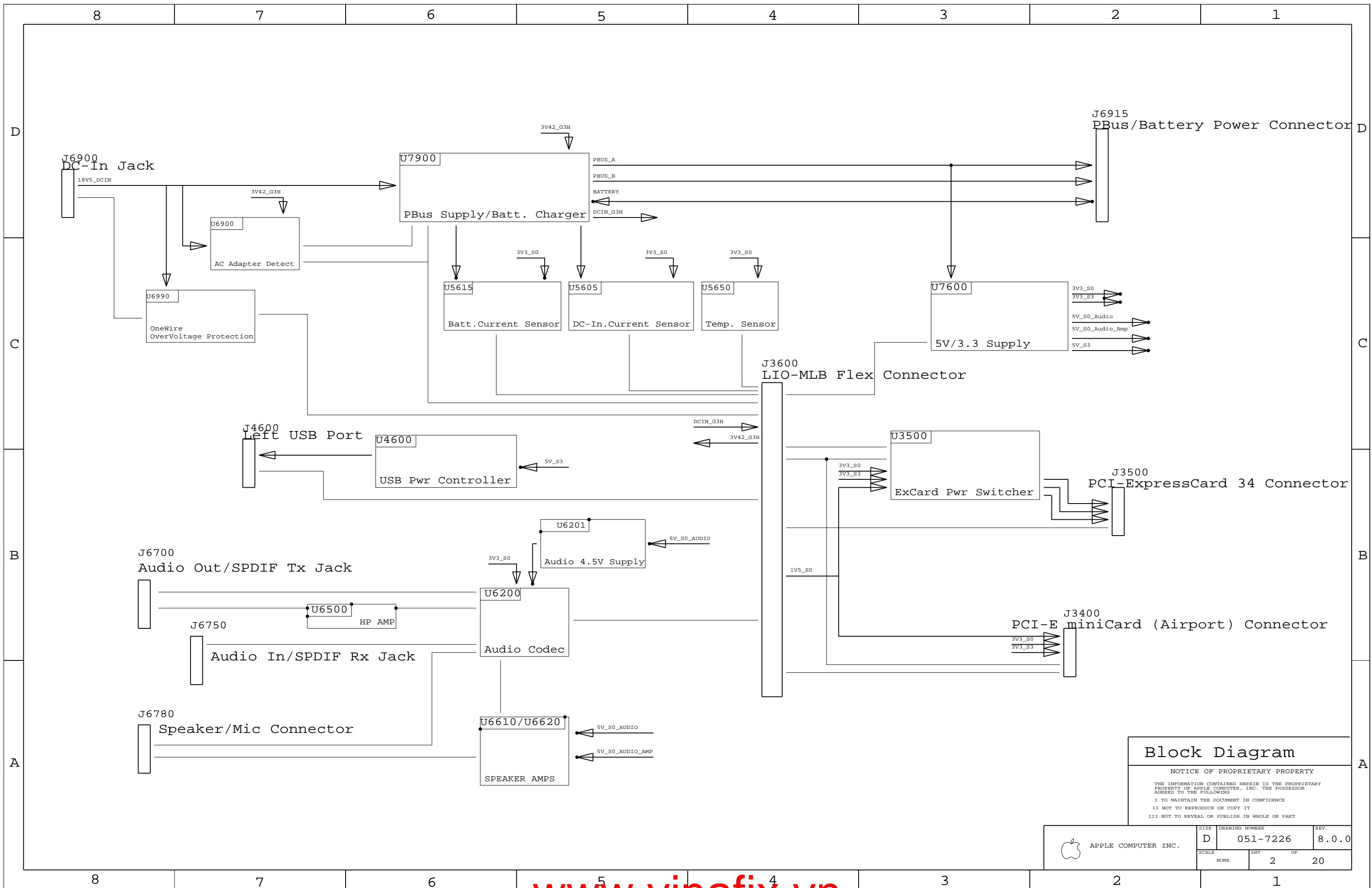
SCHEM, BANDCAMP, M75 DVT

03/21/07

PDF PAGE	CSA PAGE	CONTENTS	SYNC MASTER	DATE
1	1	Table of Contents		
2	2	Block Diagram		
3	4	BOM Configuration	(Master)	(Master)
4	9	Aliases	(Master)	(Master)
5	34	PCI-E MiniCard Connector	(Master)	(Master)
6	35	ExpressCard Connector	(Master)	(Master)
7	36	MLB I/O Board Connector	(Master)	(Master)
8	46	Left USB Port	(Master)	(Master)
9	56	Current & Thermal Sensors	(Master)	(Master)
10	62	AUDIO:CODEC	LENGO_M75_AUDIO	03/20/2007
11	65	AUDIO: HEADPHONE AMP	LENGO_M75_AUDIO	03/20/2007
12	66	AUDIO:SPEAKER AMP	LENGO_M75_AUDIO	03/20/2007
13	67	AUDIO: JACKS	LENGO_M75_AUDIO	03/20/2007
14	68	AUDIO: JACK TRANSLATORS	LENGO_M75_AUDIO	03/20/2007
15	69	DC-In & Battery Connectors	(Master)	(Master)
16	76	5V/3.3V SUPPLY	<MASTER>	<MASTER>
17	79	PBus Supply & Batt. Charger	(Master)	(Master)
18	90	Inverter Connector	SPLIT_INVERTER	12/06/2006
19	98	Inverter Support	SPLIT_INVERTER	01/31/2007
20	99	Inverter Control IC	SPLIT_INVERTER	01/31/2007

PART#	QTY	DESCRIPTION	REFERENCE DESIGNATOR(S)	CRITICAL	BOM OPTION
051-7226	1	SCHEM, BANDCAMP, M75	SCH1	CRITICAL	
820-2102	1	PCBF, BANDCAMP, M75	PCB1	CRITICAL	

DIMENSIONS ARE IN MILLIMETERS		METRIC		 Apple Computer Inc.	
XX : _____	DRAPTER	DESIGN CK	NOTICE OF PROPRIETARY PROPERTY THE INFORMATION CONTAINED HEREIN IS THE PROPRIETARY PROPERTY OF APPLE COMPUTER, INC. THE POSSESSOR AGREES TO THE FOLLOWING: I. TO MAINTAIN THE DOCUMENT IN CONFIDENCE II. NOT TO REPRODUCE OR COPY IT III. NOT TO REVEAL OR PUBLISH IN WHOLE OR PART		
X.XX : _____	ENG APPD	MFG APPD			
X.XXX : _____	QA APPD	DESIGNER			
ANGLES : _____	RELEASE	SCALE			
DO NOT SCALE DRAWING	SCALE NONE		SCHEM, BANDCAMP, M75		
 THIRD ANGLE PROJECTION	MATERIAL/FINISH NOTED AS APPLICABLE				
SHT 1 OF 20					



Block Diagram

NOTICE OF PROPRIETARY PROPERTY
 THE INFORMATION CONTAINED HEREIN IS THE PROPRIETARY PROPERTY OF APPLE COMPUTER, INC. THE POSSESSOR AGREES TO THE FOLLOWING
 I TO MAINTAIN THE DOCUMENT IN CONFIDENCE
 II NOT TO REPRODUCE OR COPY IT
 III NOT TO REVEAL OR PUBLISH IN WHOLE OR PART

APPLE COMPUTER INC.	SIZE	DRAWING NUMBER	REV.
	D	051-7226	8.0.0
SCALE	SHT		OF
NONE	2		20

8

7

6

5

4

3

2

1

BOM NUMBER	BOM NAME	BOM OPTIONS
630-7933	PCBA, BANDCAMP, M75	ALTERNATE, COMMON, M75_COMMON, INV_BYPASS, X5F
630-8087	PCBA, BAGOFINFINITE, M75	ALTERNATE, COMMON, M75_COMMON, INV_BYPASS, XPV
BOM GROUP	BOM OPTIONS	
M75_COMMON	ISL6257H	

Bar Code Label / EEE #'s

PART NUMBER	QTY	DESCRIPTION	REFERENCE DES	CRITICAL	BOM OPTION
000-0041	1	PLACEHOLDER FOR EEE/CCC INFO	[EEE:X5F]	CRITICAL	X5F
000-0041	1	PLACEHOLDER FOR EEE/CCC INFO	[EEE:XPV]	CRITICAL	XPV

Alternate Parts

PART NUMBER	ALTERNATE FOR PART NUMBER	BOM OPTION	REF DES	COMMENTS:
376S0448	376S0445		ALL	SI7806ADN for FSM6296
128S0081	128S0061		ALL	150uF, 6.3V, 25MOHM, C2
128S0093	128S0092		ALL	33UF, 16V, 45MOHM, D2E
353S1717	353S1297		ALL	LM397, COMPARATOR
376S0560	376S0532		ALL	SI7909DN for SI7913DN

D

D

C

C


B

B

A

A

BOM Configuration	
SYNC_MASTER=(Master)	SYNC_DATE=(Master)
NOTICE OF PROPRIETARY PROPERTY	
THE INFORMATION CONTAINED HEREIN IS THE PROPRIETARY PROPERTY OF APPLE COMPUTER, INC. THE POSSESSOR AGREES TO THE FOLLOWING	
I TO MAINTAIN THE DOCUMENT IN CONFIDENCE	
II NOT TO REPRODUCE OR COPY IT	
III NOT TO REVEAL OR PUBLISH IN WHOLE OR PART	

 APPLE COMPUTER INC.	SIZE	DRAWING NUMBER	REV.
	D	051-7226	8.0.0
SCALE	SHT OF		
NONE	3 OF		20

8

7

6

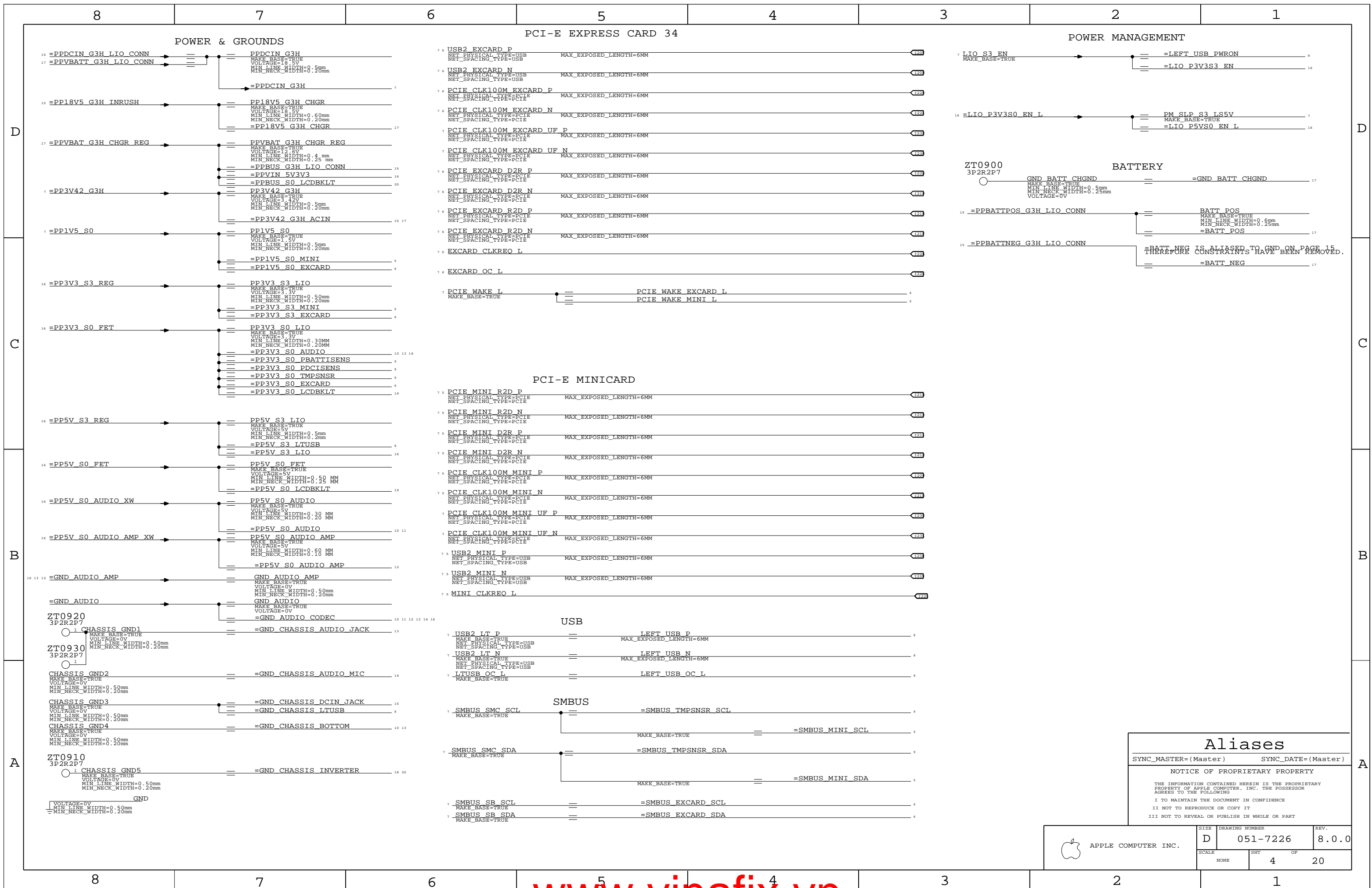
5

4

3

2

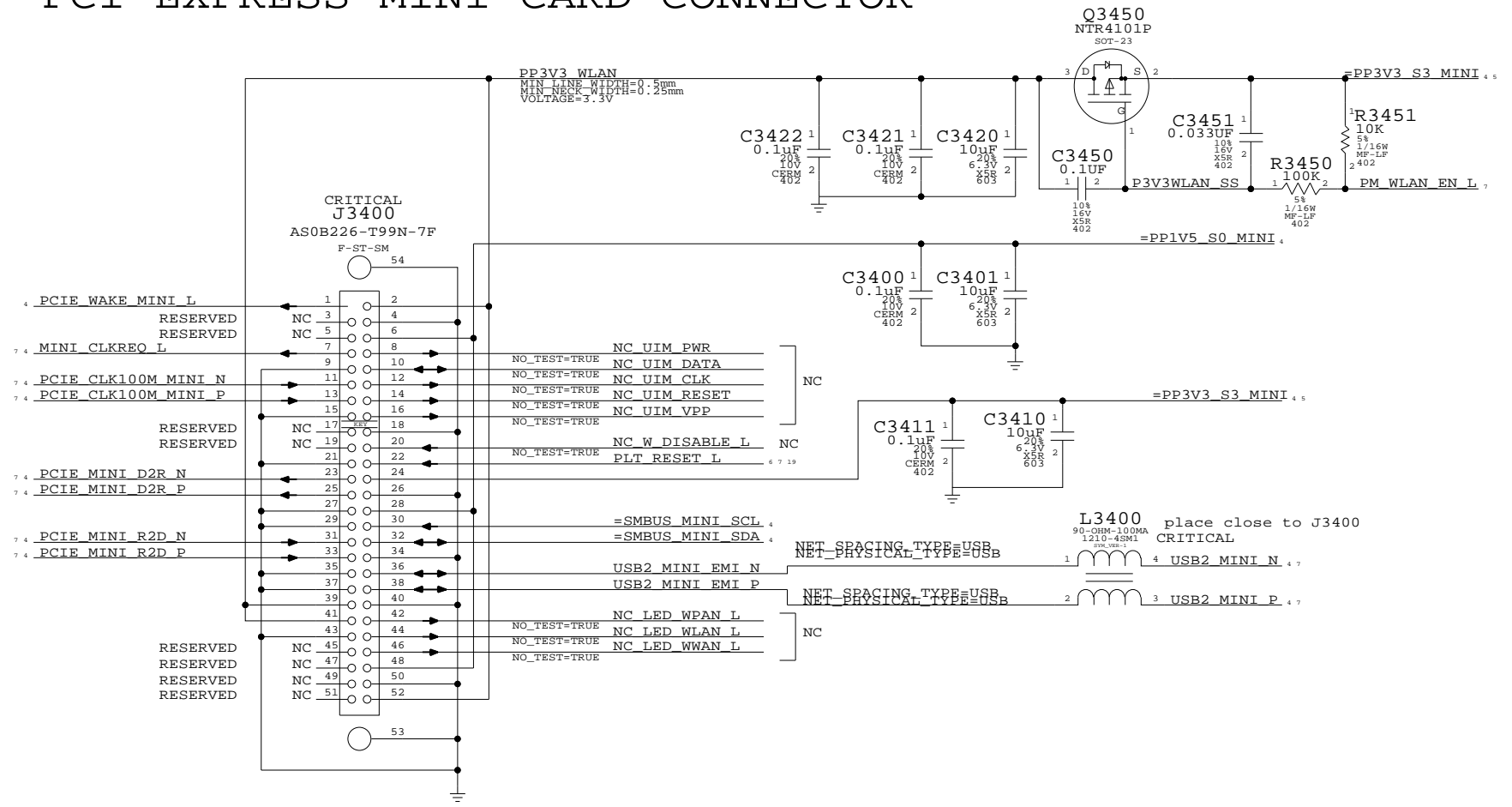
1



Aliases	
SYNC_MASTER=(Master)	SYNC_DATE=(Master)
NOTICE OF PROPRIETARY PROPERTY	
THE INFORMATION CONTAINED HEREIN IS THE PROPRIETARY PROPERTY OF APPLE COMPUTER, INC. THE POSSESSOR AGREES TO THE FOLLOWING	
I TO MAINTAIN THE DOCUMENT IN CONFIDENCE	
II NOT TO REPRODUCE OR COPY IT	
III NOT TO REVEAL OR PUBLISH IN WHOLE OR PART	

APPLE COMPUTER INC.	SIZE	DRAWING NUMBER	REV.
	D	051-7226	8.0.0
SCALE	SHT	OF	
NONE	4	20	

PCI-EXPRESS MINI CARD CONNECTOR

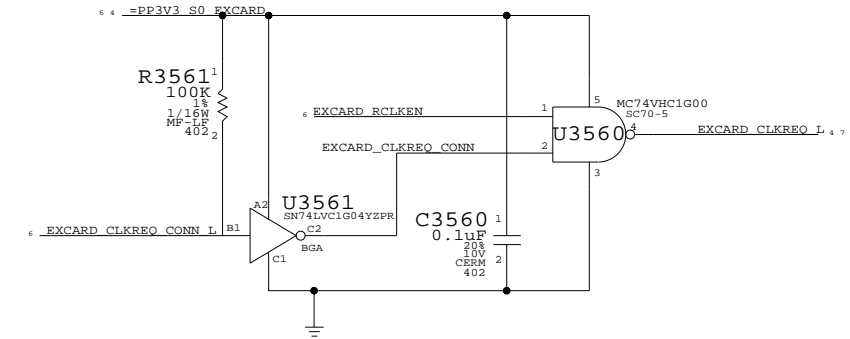
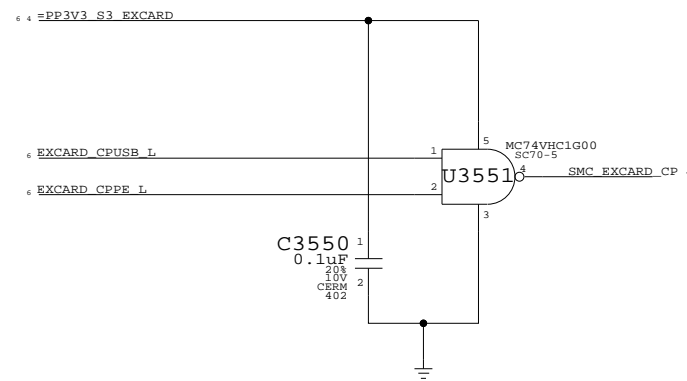
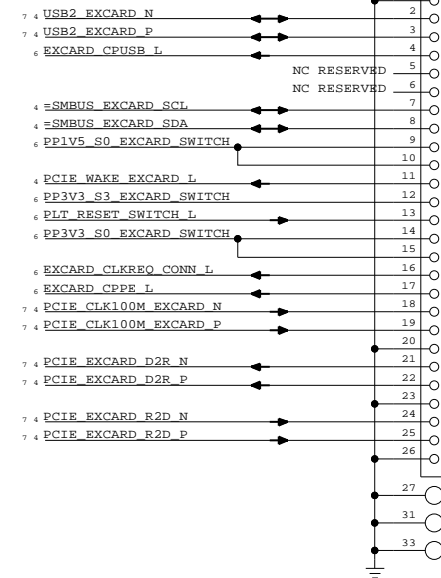
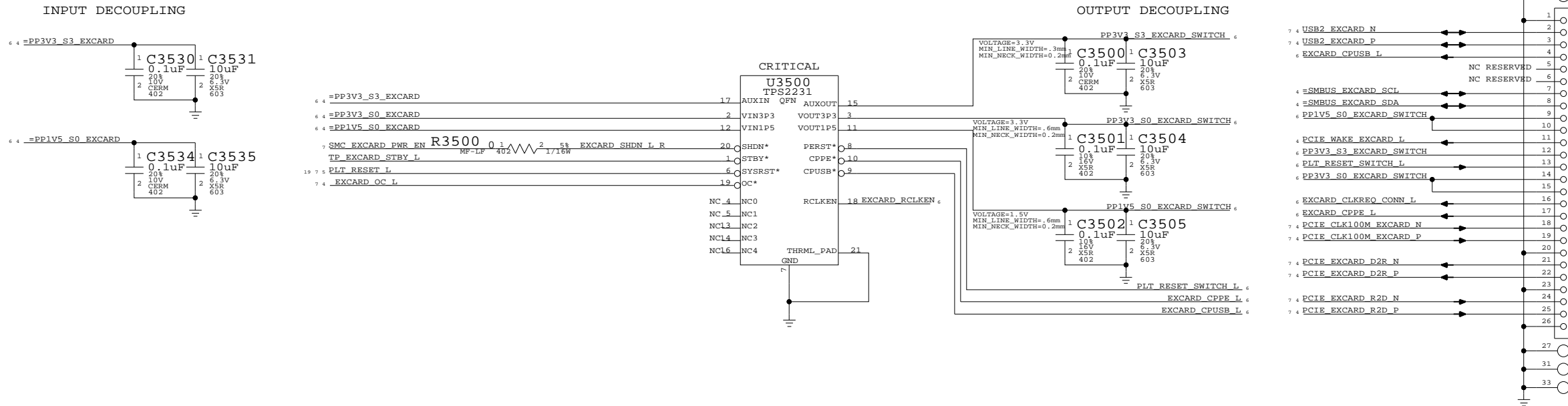


PCI-E MiniCard Connector
 SYNC_MASTER=(Master) SYNC_DATE=(Master)
NOTICE OF PROPRIETARY PROPERTY
 THE INFORMATION CONTAINED HEREIN IS THE PROPRIETARY PROPERTY OF APPLE COMPUTER, INC. THE POSSESSOR AGREES TO THE FOLLOWING
 I TO MAINTAIN THE DOCUMENT IN CONFIDENCE
 II NOT TO REPRODUCE OR COPY IT
 III NOT TO REVEAL OR PUBLISH IN WHOLE OR PART

APPLE COMPUTER INC.	SIZE	DRAWING NUMBER	REV.
	D	051-7226	8.0.0
SCALE	SHT OF		
NONE	5 OF		20

EXPRESSCARD/34 TOP MOUNT CONNECTOR

CARD CAGE CONNECTOR
CRITICAL
J3500
237-5300703903-2
P-RF-SM



ExpressCard Connector

SYNC_MASTER=(Master) SYNC_DATE=(Master)

NOTICE OF PROPRIETARY PROPERTY

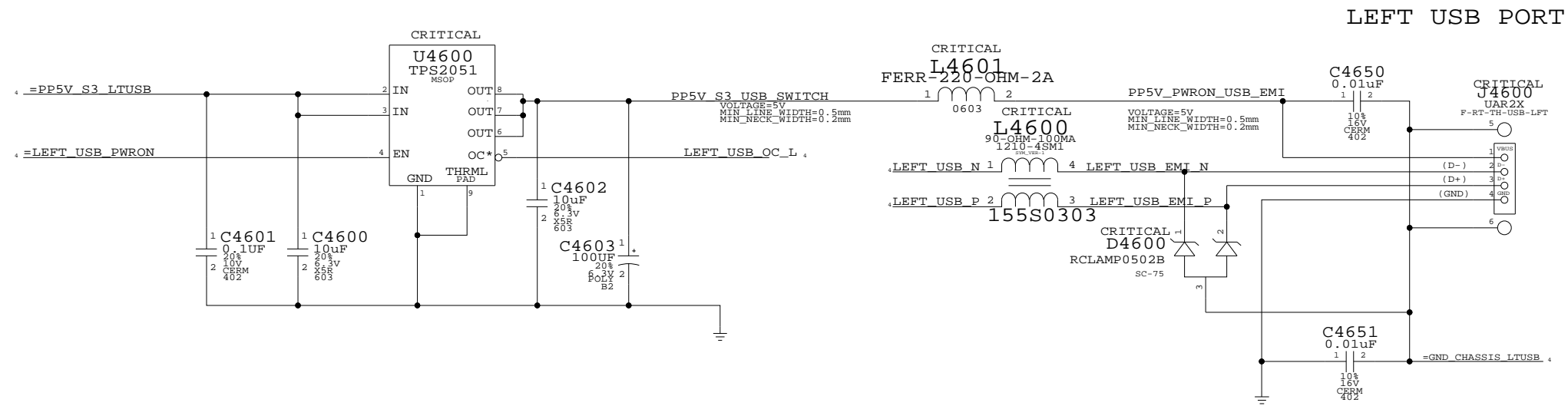
THE INFORMATION CONTAINED HEREIN IS THE PROPRIETARY PROPERTY OF APPLE COMPUTER, INC. THE POSSESSOR AGREES TO THE FOLLOWING

I TO MAINTAIN THE DOCUMENT IN CONFIDENCE

II NOT TO REPRODUCE OR COPY IT

III NOT TO REVEAL OR PUBLISH IN WHOLE OR PART

APPLE COMPUTER INC.	SIZE	DRAWING NUMBER	REV.
	D	051-7226	8.0.0
SCALE	SHT OF		
NONE	6 OF		20



PUT L4600, L4601, ACROSS THE MOAT

Left USB Port

SYNC_MASTER=(Master) SYNC_DATE=(Master)

NOTICE OF PROPRIETARY PROPERTY

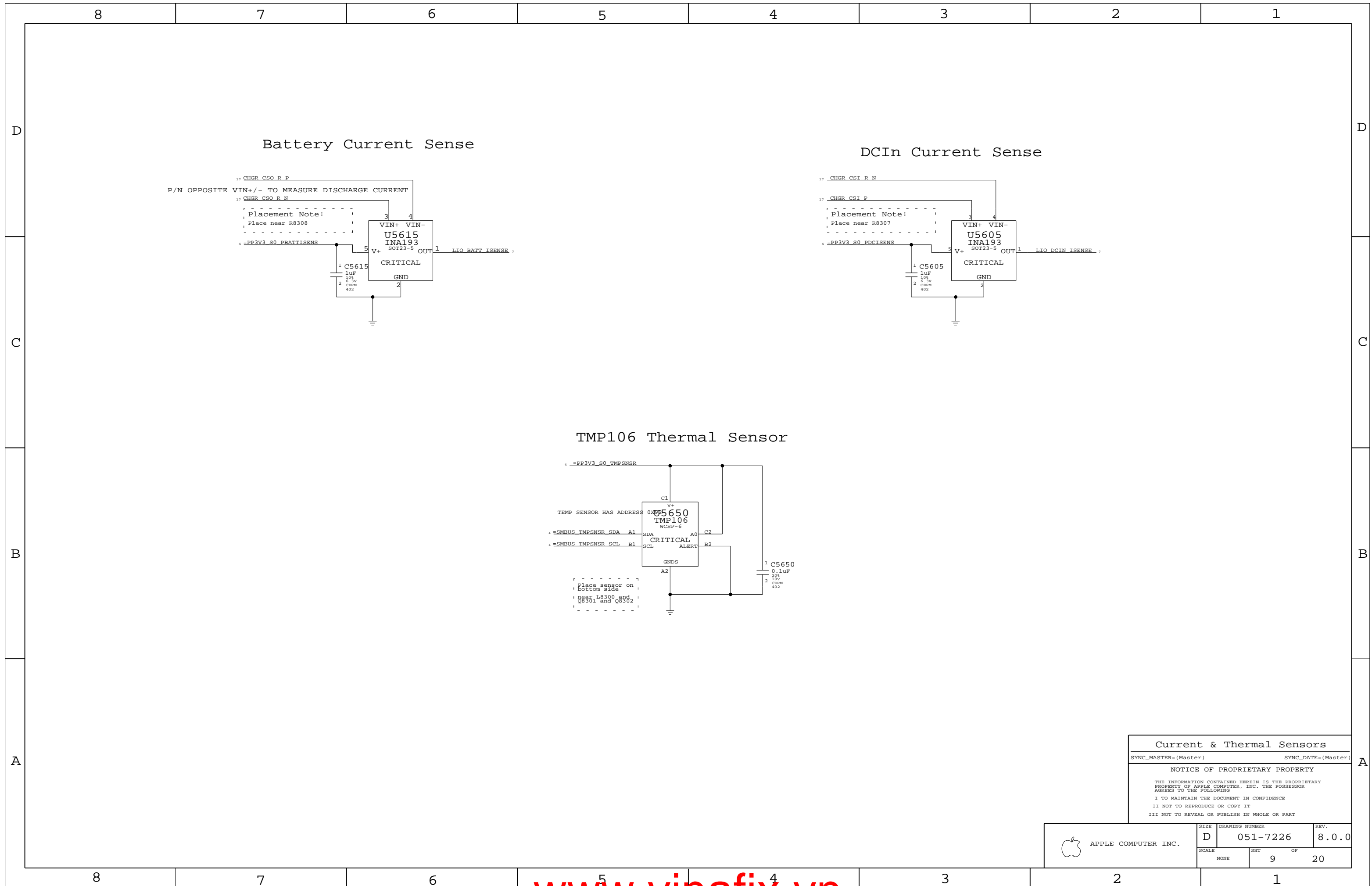
THE INFORMATION CONTAINED HEREIN IS THE PROPRIETARY PROPERTY OF APPLE COMPUTER, INC. THE POSSESSOR AGREES TO THE FOLLOWING

I TO MAINTAIN THE DOCUMENT IN CONFIDENCE

II NOT TO REPRODUCE OR COPY IT

III NOT TO REVEAL OR PUBLISH IN WHOLE OR PART

APPLE COMPUTER INC.	SIZE	DRAWING NUMBER	REV.
	D	051-7226	8.0.0
SCALE	SHT OF		
NONE	8 OF		20



Battery Current Sense

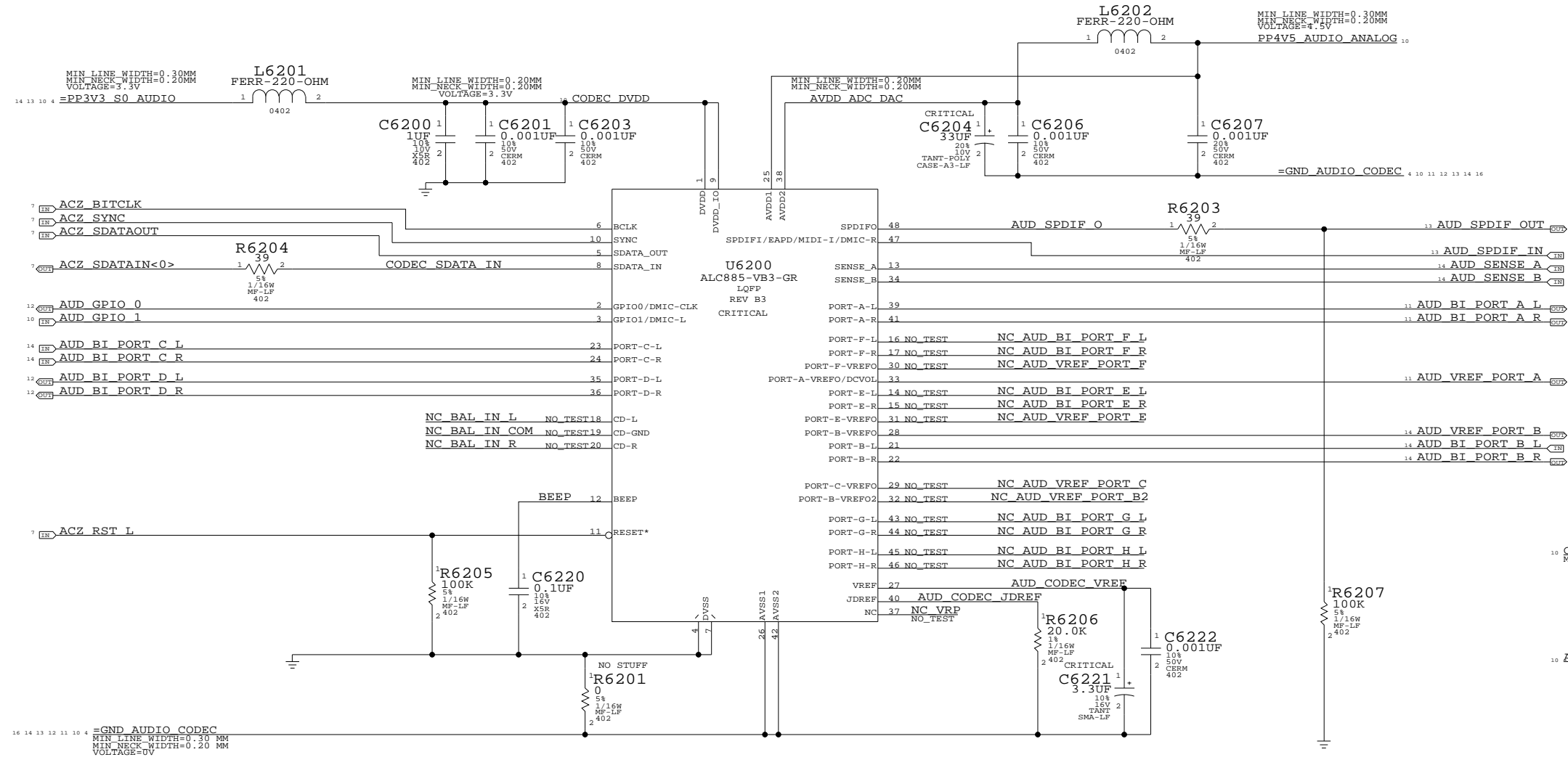
DCIn Current Sense

TMP106 Thermal Sensor

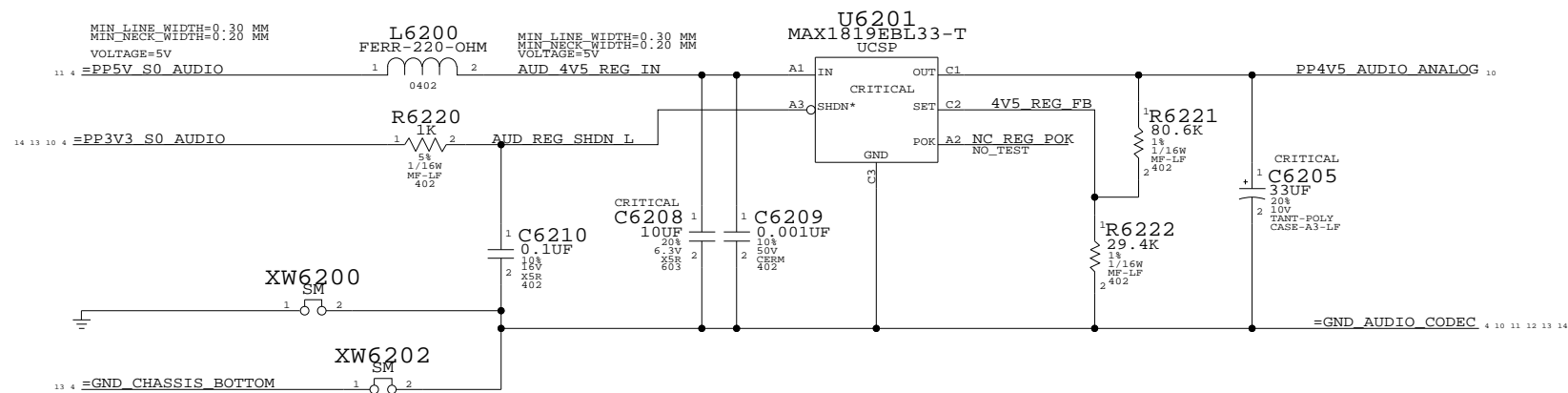
Current & Thermal Sensors
 SYNC_MASTER=(Master) SYNC_DATE=(Master)
 NOTICE OF PROPRIETARY PROPERTY
 THE INFORMATION CONTAINED HEREIN IS THE PROPRIETARY PROPERTY OF APPLE COMPUTER, INC. THE POSSESSOR AGREES TO THE FOLLOWING
 I TO MAINTAIN THE DOCUMENT IN CONFIDENCE
 II NOT TO REPRODUCE OR COPY IT
 III NOT TO REVEAL OR PUBLISH IN WHOLE OR PART

APPLE COMPUTER INC.	SIZE	DRAWING NUMBER	REV.
	D	051-7226	8.0.0
SCALE	SHT OF		
NONE	9 OF		20

AUDIO CODEC
APPLE P/N 353S1527



AUDIO 4.5V REGULATOR
APPLE P/N 353S1455

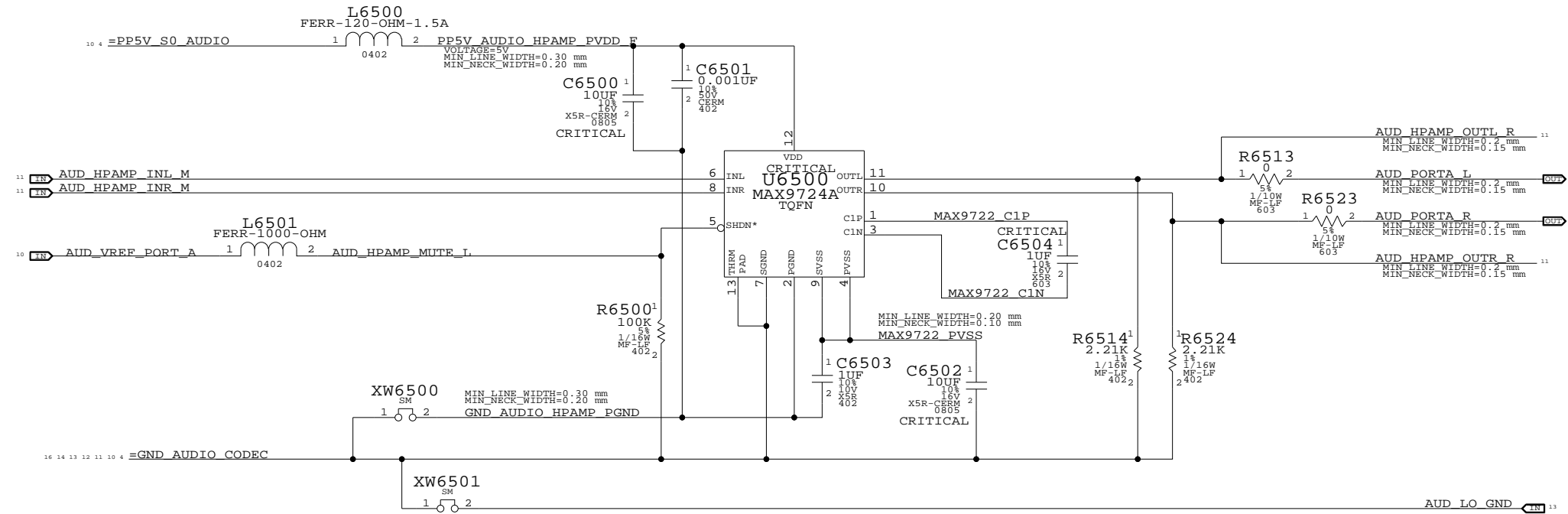


AUDIO:CODEC
 SYNC_MASTER=LENGO_M75_AUMNO_DATE=03/20/2007
 NOTICE OF PROPRIETARY PROPERTY
 THE INFORMATION CONTAINED HEREIN IS THE PROPRIETARY PROPERTY OF APPLE COMPUTER, INC. THE POSSESSOR AGREES TO THE FOLLOWING
 I TO MAINTAIN THE DOCUMENT IN CONFIDENCE
 II NOT TO REPRODUCE OR COPY IT
 III NOT TO REVEAL OR PUBLISH IN WHOLE OR PART

APPLE COMPUTER INC.	SIZE	DRAWING NUMBER	REV.
	D	051-7226	8.0.0
SCALE	SHT OF		
NONE	10		20

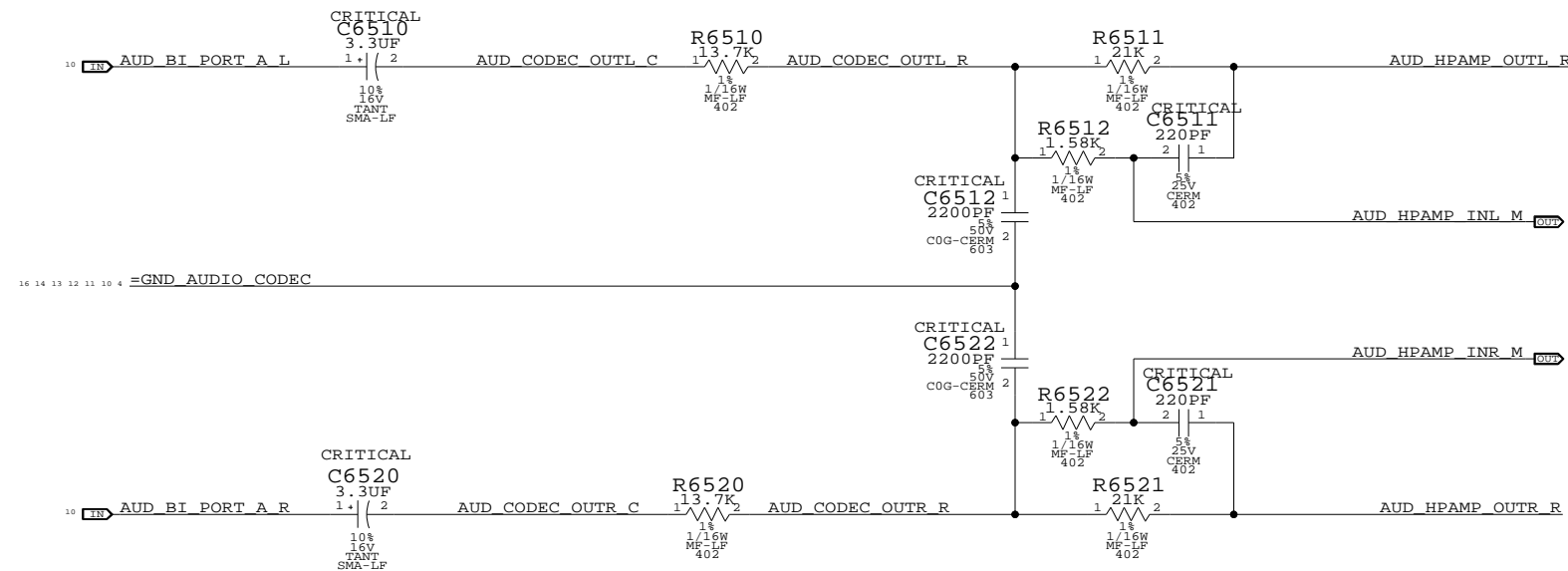
Headphone Amplifier (MAX9724A)

APN: 353S1637
VOLTAGE GAIN: 1.53



2nd Order DAC Filter

HP: 3.52 KHZ LP: 39 KHZ



AUDIO: HEADPHONE AMP
SYNC_MASTER=LENGO_M75_A SYNC_DATE=03/20/2007

NOTICE OF PROPRIETARY PROPERTY

THE INFORMATION CONTAINED HEREIN IS THE PROPRIETARY PROPERTY OF APPLE COMPUTER, INC. THE POSSESSOR AGREES TO THE FOLLOWING
I TO MAINTAIN THE DOCUMENT IN CONFIDENCE
II NOT TO REPRODUCE OR COPY IT
III NOT TO REVEAL OR PUBLISH IN WHOLE OR PART

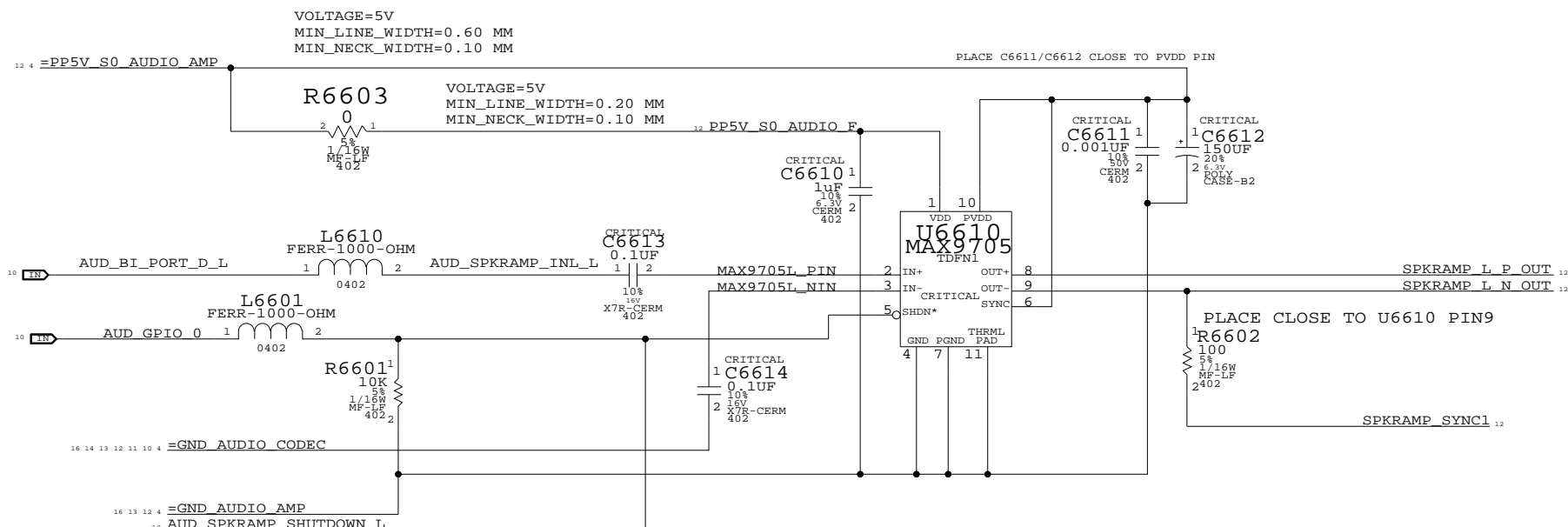
APPLE COMPUTER INC.	SIZE	DRAWING NUMBER	REV.
	D	051-7226	8.0.0
SCALE	SHT	OF	REV.
NONE	11	20	20

2X MONO SPEAKER AMPLIFIERS (MAX9705B)

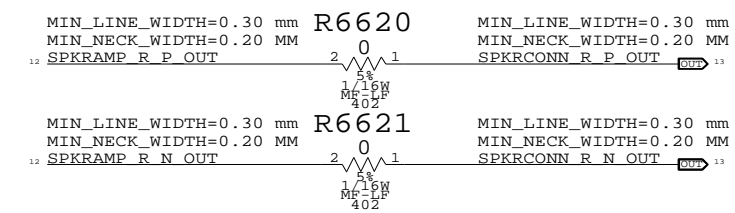
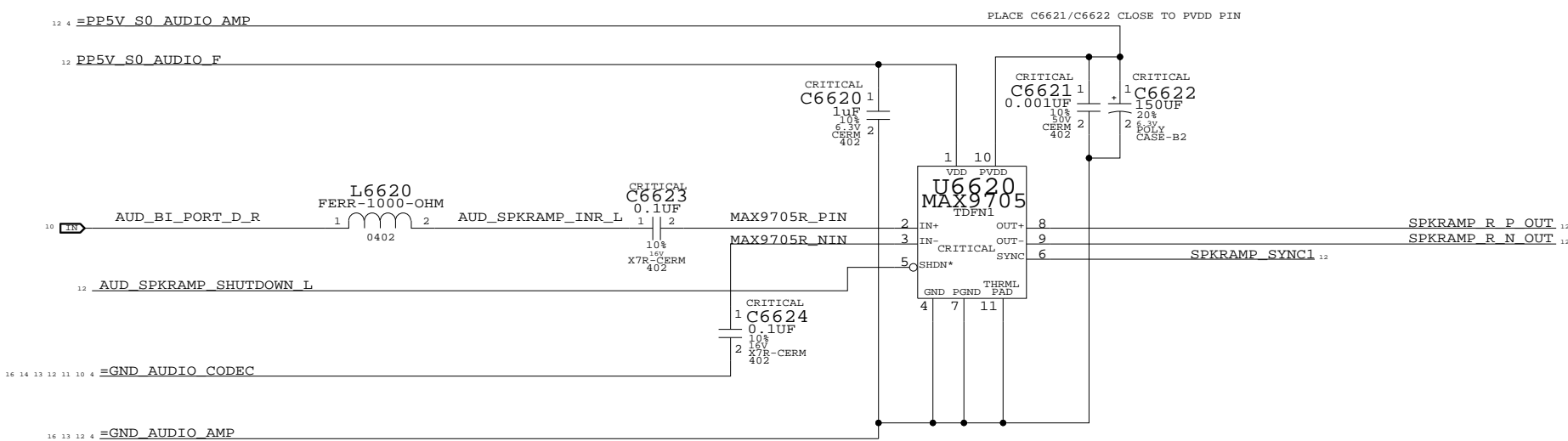
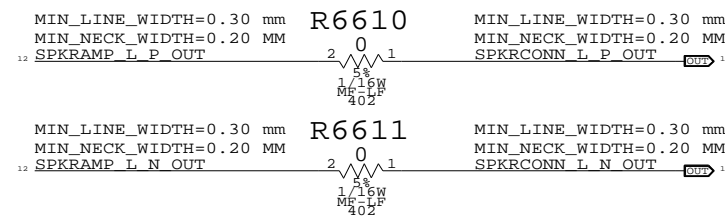
APN: 353S1595

GAIN = 12DB

79Hz < FC < 132Hz



FANCY SPEAKER TESTPOINTS



AUDIO: SPEAKER AMP

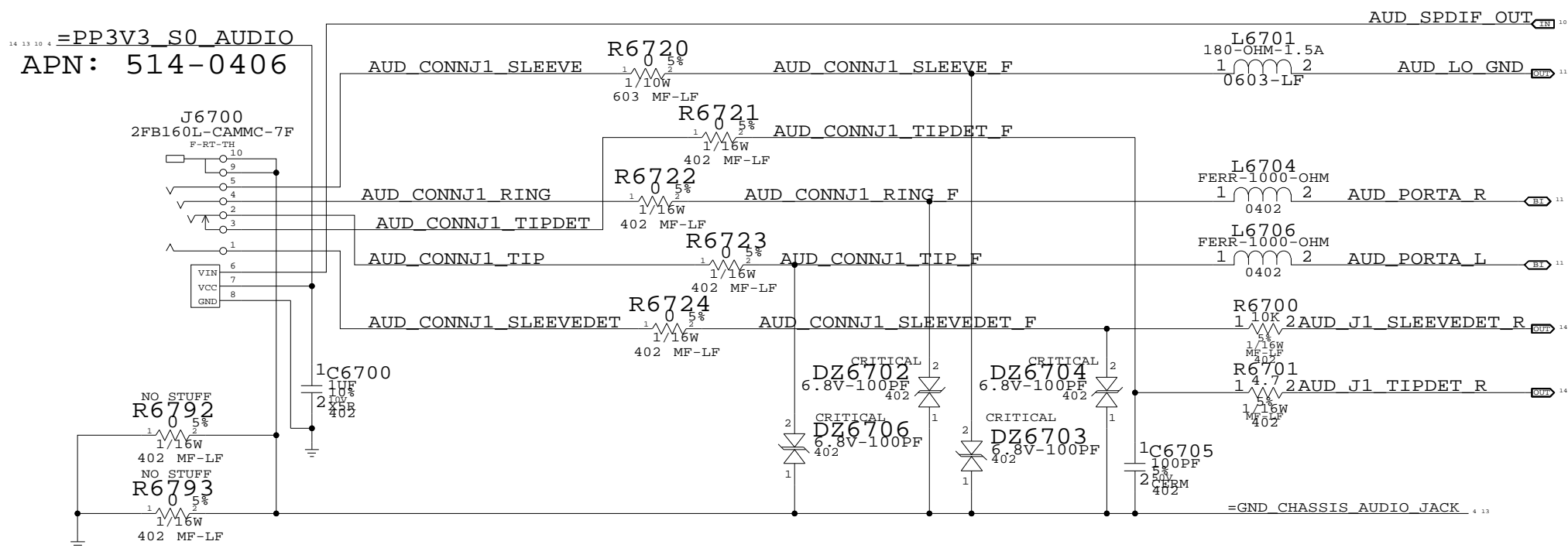
SYNC_MASTER=LENGO_M75_AUDDIO DATE=03/20/2007

NOTICE OF PROPRIETARY PROPERTY

THE INFORMATION CONTAINED HEREIN IS THE PROPRIETARY PROPERTY OF APPLE COMPUTER, INC. THE POSSESSOR AGREES TO THE FOLLOWING
 I TO MAINTAIN THE DOCUMENT IN CONFIDENCE
 II NOT TO REPRODUCE OR COPY IT
 III NOT TO REVEAL OR PUBLISH IN WHOLE OR PART

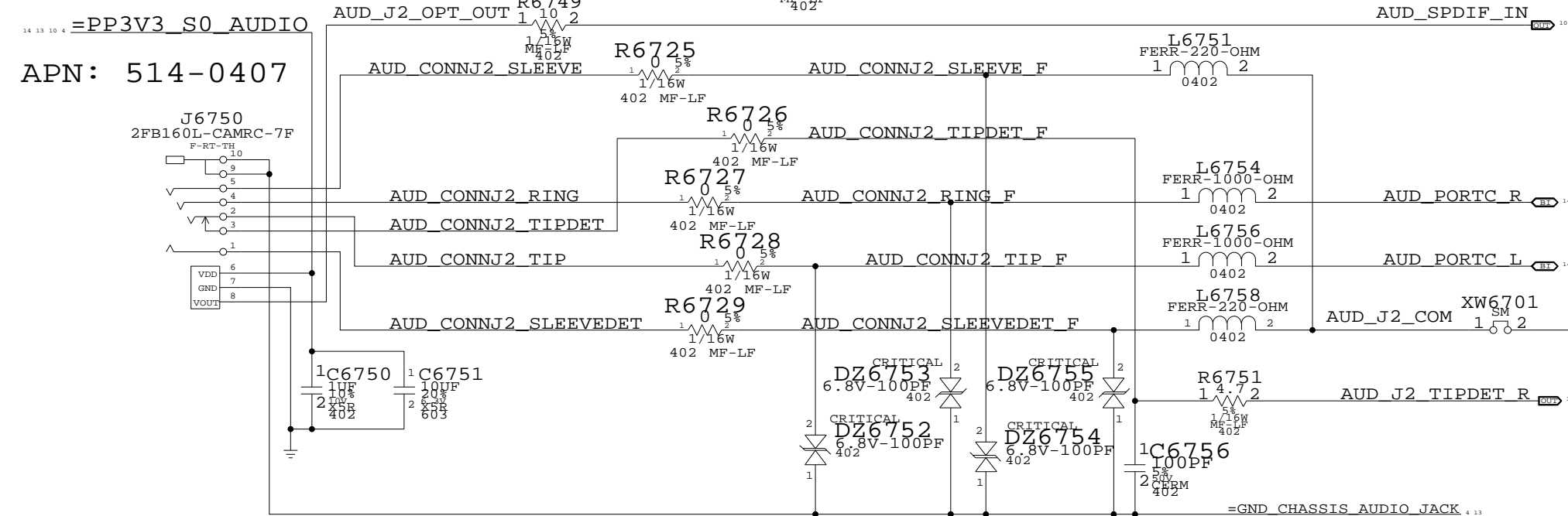
APPLE COMPUTER INC.	SIZE	DRAWING NUMBER	REV.
	D	051-7226	8.0.0
SCALE	SHT OF		
NONE	12		20

AUDIO JACK 1 LO/HP CONNECTOR, SPDIF TX



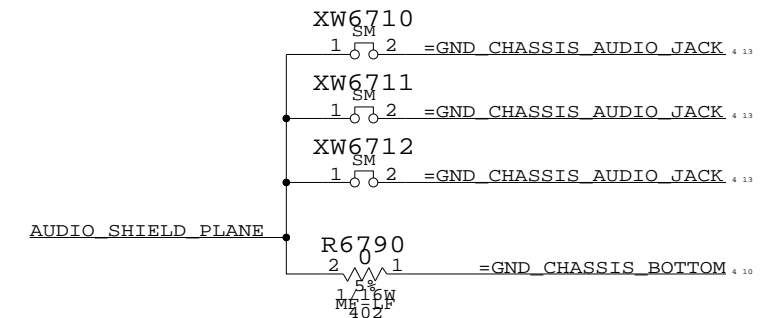
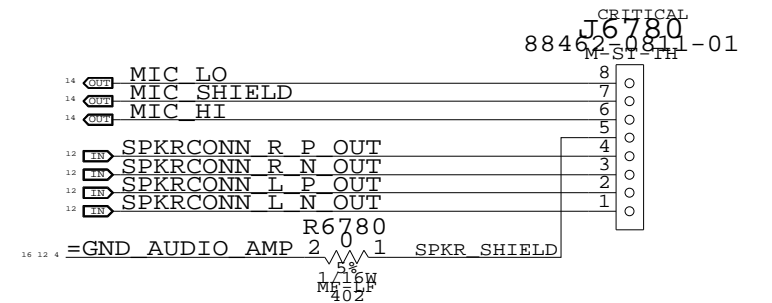
PLACE AT GROUND MOAT

=GND CHASSIS AUDIO JACK =GND AUDIO CODEC



AUDIO JACK 2 LINE IN CONNECTOR, SPDIF RX

SPEAKER/MIC CONNECTOR
APN: 518-0262



AUDIO SHIELD
(FILLED SHAPE)

AUDIO: JACKS
 SYNC_MASTER=LENGO_M75 SYNC_DATE=03/20/2007
 NOTICE OF PROPRIETARY PROPERTY
 THE INFORMATION CONTAINED HEREIN IS THE PROPRIETARY PROPERTY OF APPLE COMPUTER, INC. THE POSSESSOR AGREES TO THE FOLLOWING
 I TO MAINTAIN THE DOCUMENT IN CONFIDENCE
 II NOT TO REPRODUCE OR COPY IT
 III NOT TO REVEAL OR PUBLISH IN WHOLE OR PART

APPLE COMPUTER INC.	SIZE	DRAWING NUMBER	REV.
	D	051-7226	8.0.0
SCALE	SHT OF		
NONE	13 OF		20

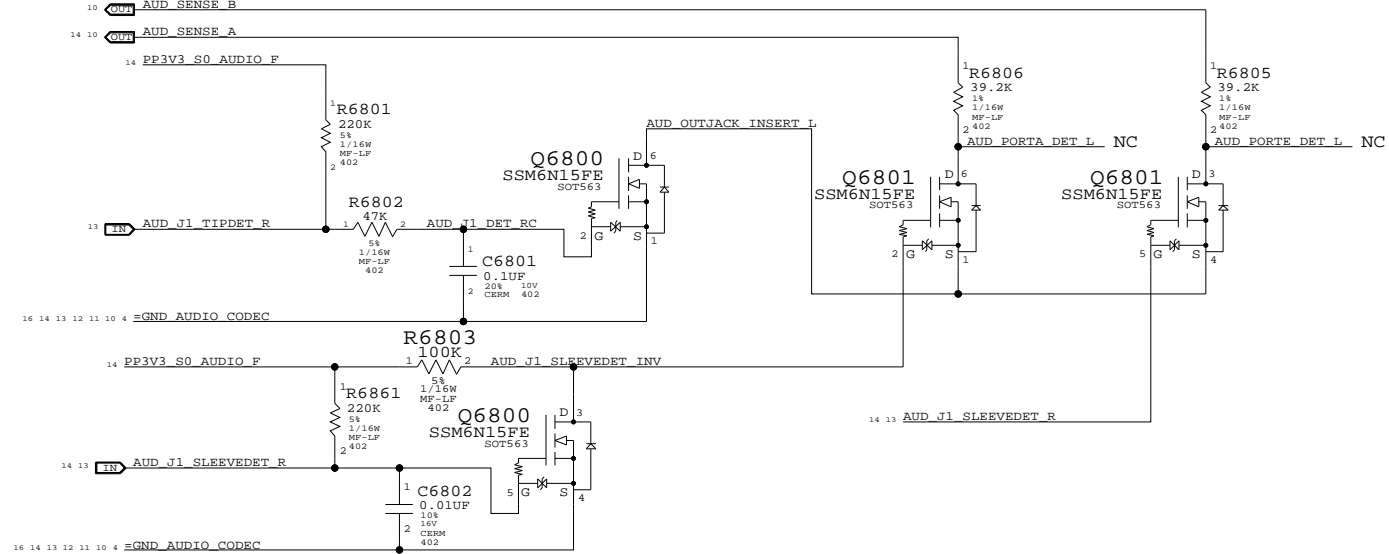
CODEC OUTPUT SIGNAL PATHS

FUNCTION	VOLUME	CONVERTER	PIN COMPLEX	MUTE CONTROL	DET ASSIGNMENT
HP/LINE OUT	0x0D	0x03	0x15 (A)	VREF_A	0x15 (A)
SPEAKER	0x0C	0x02	0x14 (D)	GPIO 0	N/A
SPDIF OUT	N/A	0x06	0x1E (SPDIF OUT)	N/A	0x1B (E)

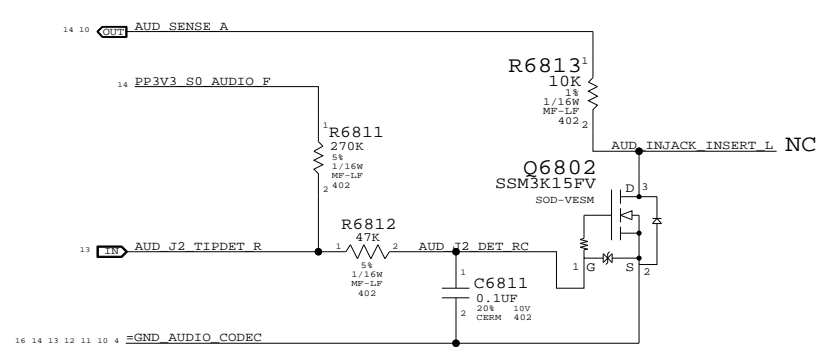
CODEC INPUT SIGNAL PATHS

FUNCTION	MIXER	CONVERTER	PIN COMPLEX	VREF	DET ASSIGNMENT
LINE IN	0x23	0x08	0x1A (C)	N/A	0x1A (C)
MIC IN	0x24	0x07	0x18 (B)	B (80%)	N/A
SPDIF IN	N/A	0x0A	0x1F (SPDIF IN)	N/A	N/A

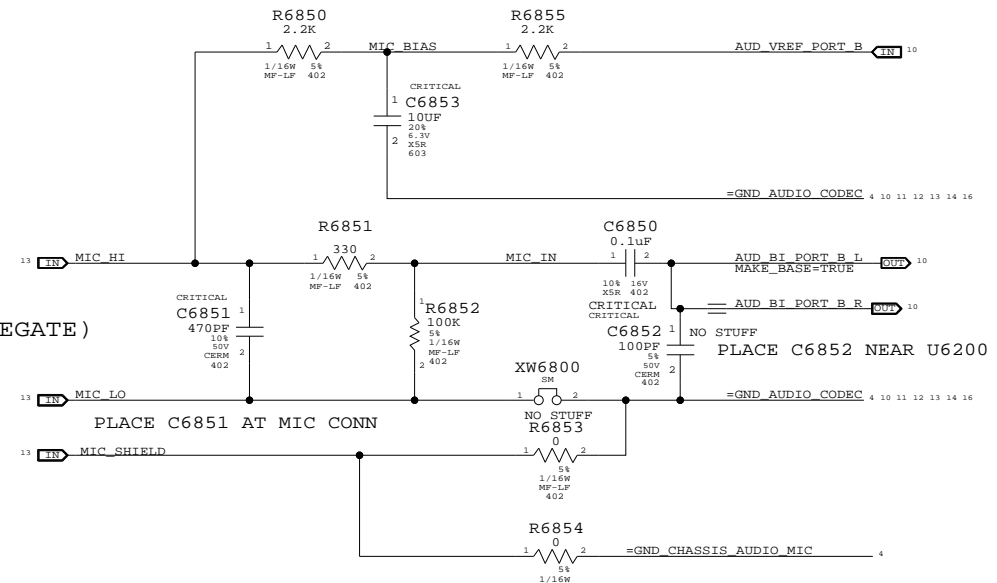
PORT A DETECT PORT E DETECT (SPDIF DELEGATE)



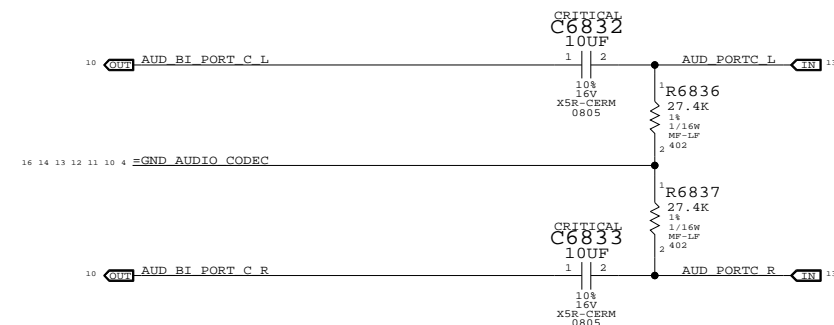
Line-in (PORT C) DETECT



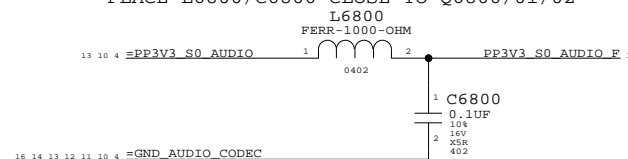
MIC INPUT CIRCUITRY



PORT C LI



PLACE L6800/C6800 CLOSE TO Q6800/01/02



AUDIO: JACK TRANSLATORS

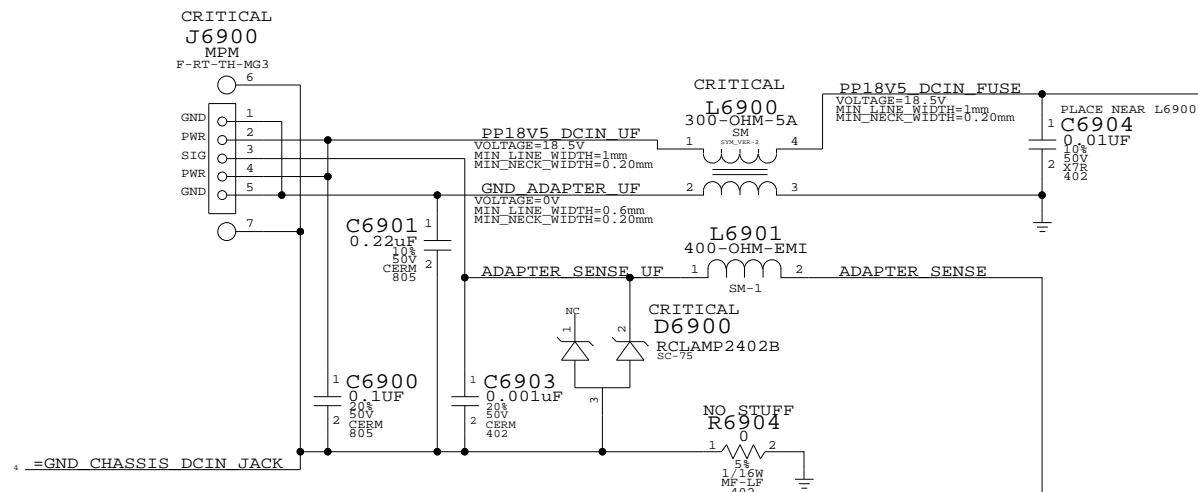
SYNC_MASTER=LENGO_M75_AUDIO SYNC_DATE=03/20/2007

NOTICE OF PROPRIETARY PROPERTY

THE INFORMATION CONTAINED HEREIN IS THE PROPRIETARY PROPERTY OF APPLE COMPUTER, INC. THE POSSESSOR AGREES TO THE FOLLOWING
 I TO MAINTAIN THE DOCUMENT IN CONFIDENCE
 II NOT TO REPRODUCE OR COPY IT
 III NOT TO REVEAL OR PUBLISH IN WHOLE OR PART

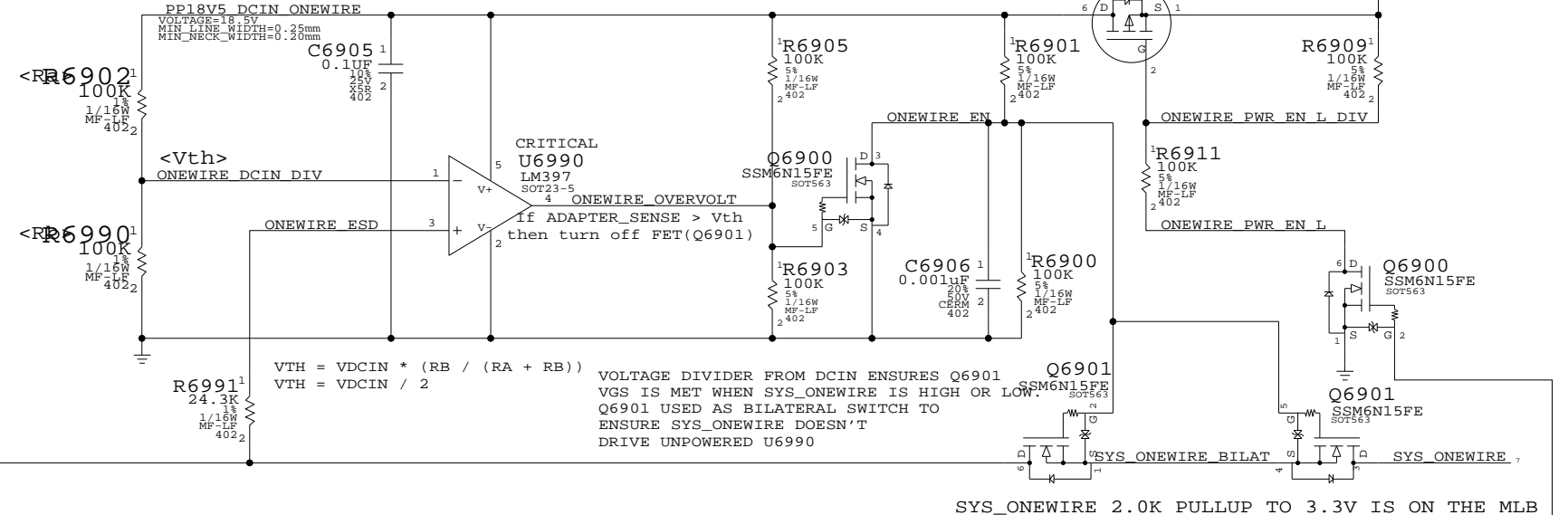
APPLE COMPUTER INC.	SIZE	DRAWING NUMBER	REV.
	D	051-7226	8.0.0
SCALE	SHT OF		
NONE	14		20

DC Power Jack



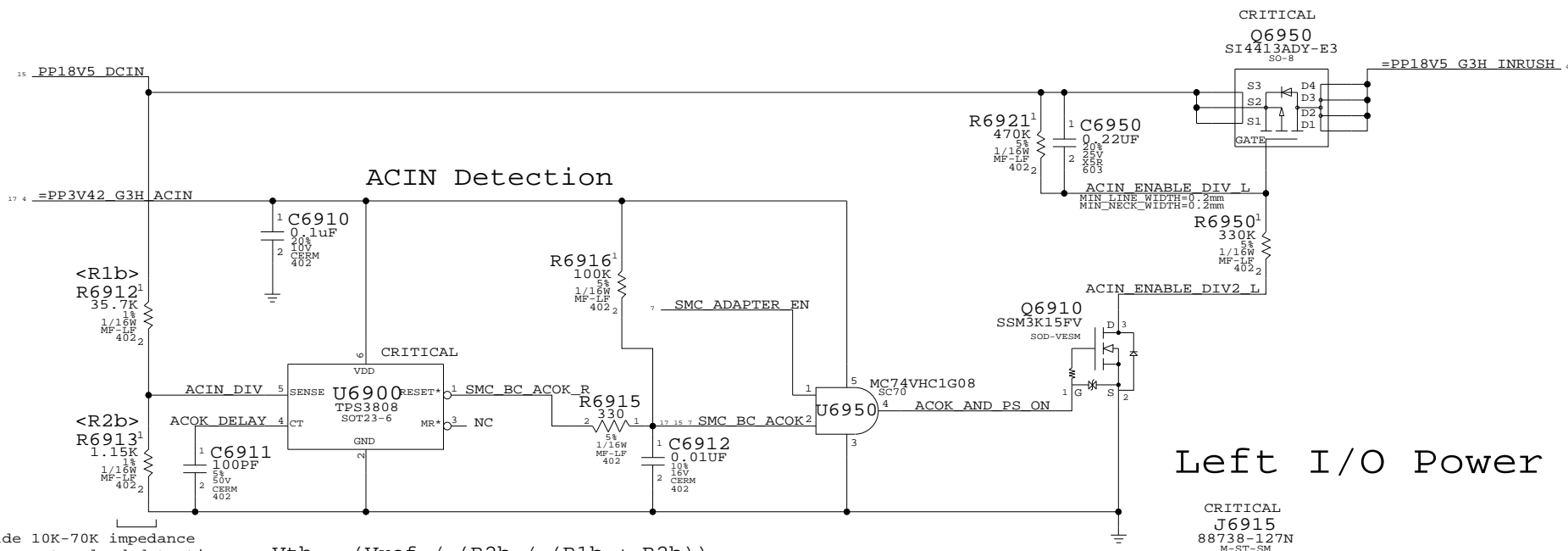
R6904 should be stuffed if GND_CHASSIS_DCIN_JACK does not have another connection to digital GND in the system, such as in an acrylic. The chassis ground will otherwise float and can send transients onto ADAPTER_SENSE when AC is connected.

1-Wire OverVoltage Protection



Q6909 restricts system load to 10K-70K window until adapter detects system and enables 16.5V output.

Inrush Limiter

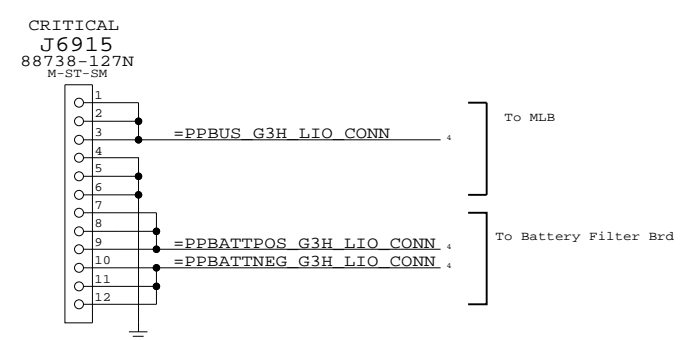


ACIN Detection

System must provide 10K-70K impedance to A52 adapter for system load detection. REQ OF R6912 & R6913 IS 36.9K.

$V_{th} = (V_{ref} / (R_{2b} / (R_{1b} + R_{2b})))$
 $V_{REF} = 0.405V$
 $V_{TH} = 13.0V$
 Assuming 1% variance for R6912-R6913 and 3.42V:
 Worst case V_{th} : min: 12.47V, max: 13.54V

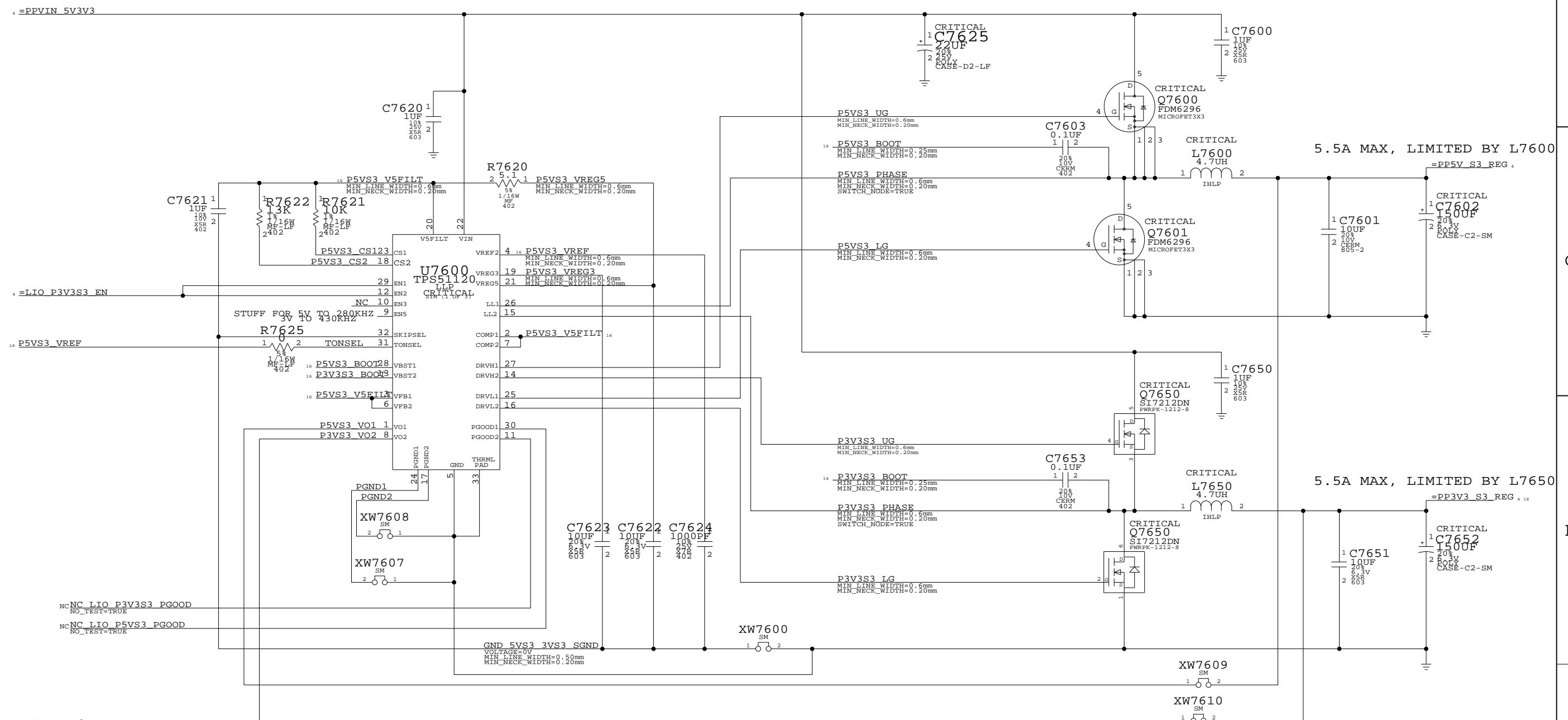
Left I/O Power Connector



DC-In & Battery Connectors	
SYNC_MASTER=(Master)	SYNC_DATE=(Master)
NOTICE OF PROPRIETARY PROPERTY	
THE INFORMATION CONTAINED HEREIN IS THE PROPRIETARY PROPERTY OF APPLE COMPUTER, INC. THE POSSESSOR AGREES TO THE FOLLOWING	
I TO MAINTAIN THE DOCUMENT IN CONFIDENCE	
II NOT TO REPRODUCE OR COPY IT	
III NOT TO REVEAL OR PUBLISH IN WHOLE OR PART	

APPLE COMPUTER INC.	SIZE	DRAWING NUMBER	REV.
	D	051-7226	8.0.0
SCALE	SHT	OF	
NONE	15		20

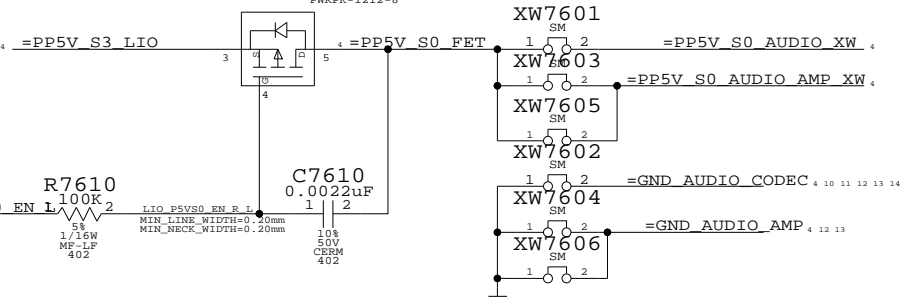
5V/3.3V POWER SUPPLY



5V S0 FET

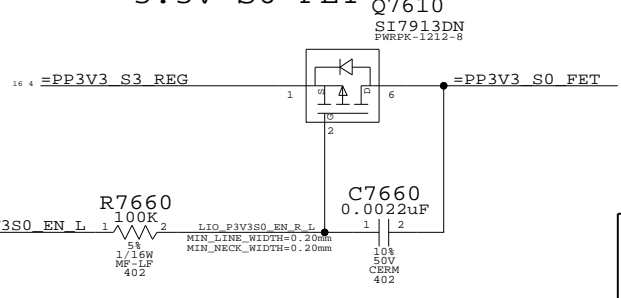
CRITICAL
Q7610
SI7913DN
PWRPK-1212-8

PLACE XW7601 TO XW76010 CLOSE TO 5V SWITCHER AND S0 FET



3.3V S0 FET

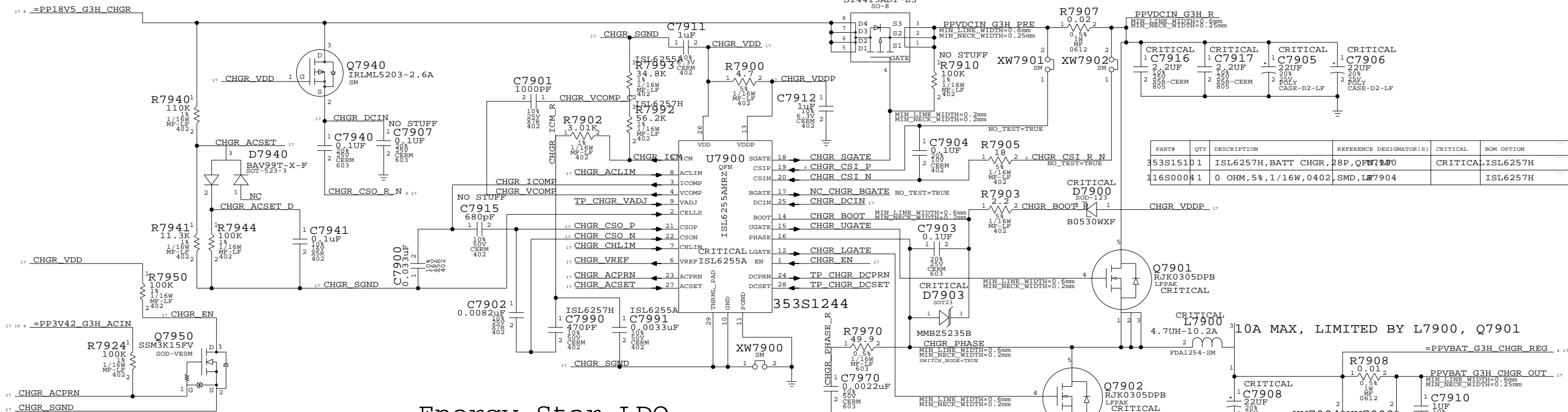
CRITICAL
Q7610
SI7913DN
PWRPK-1212-8



5V/3.3V SUPPLY
 SYNC_MASTER=<MASTER> SYNC_DATE=<MASTER>
NOTICE OF PROPRIETARY PROPERTY
 THE INFORMATION CONTAINED HEREIN IS THE PROPRIETARY PROPERTY OF APPLE COMPUTER, INC. THE POSSESSOR AGREES TO THE FOLLOWING:
 I TO MAINTAIN THE DOCUMENT IN CONFIDENCE
 II NOT TO REPRODUCE OR COPY IT
 III NOT TO REVEAL OR PUBLISH IN WHOLE OR PART

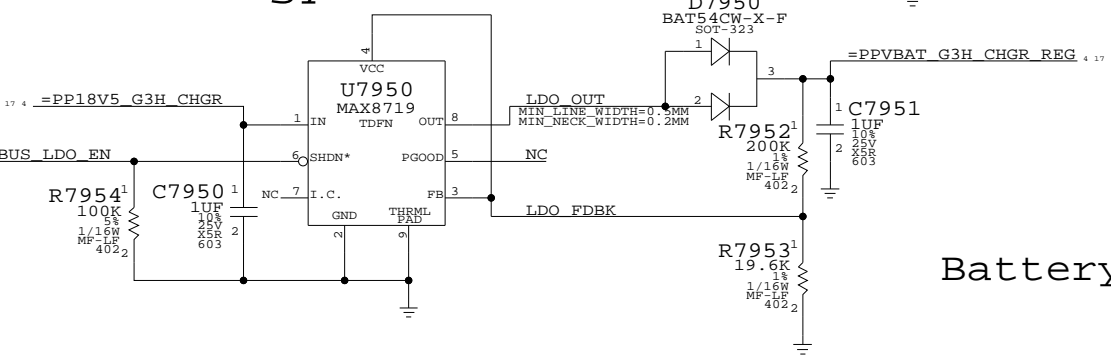
APPLE COMPUTER INC.	SIZE D	DRAWING NUMBER 051-7226	REV. 8.0.0
	SCALE NONE	SHEET 16	OF 20

PBus Supply & Battery Charger

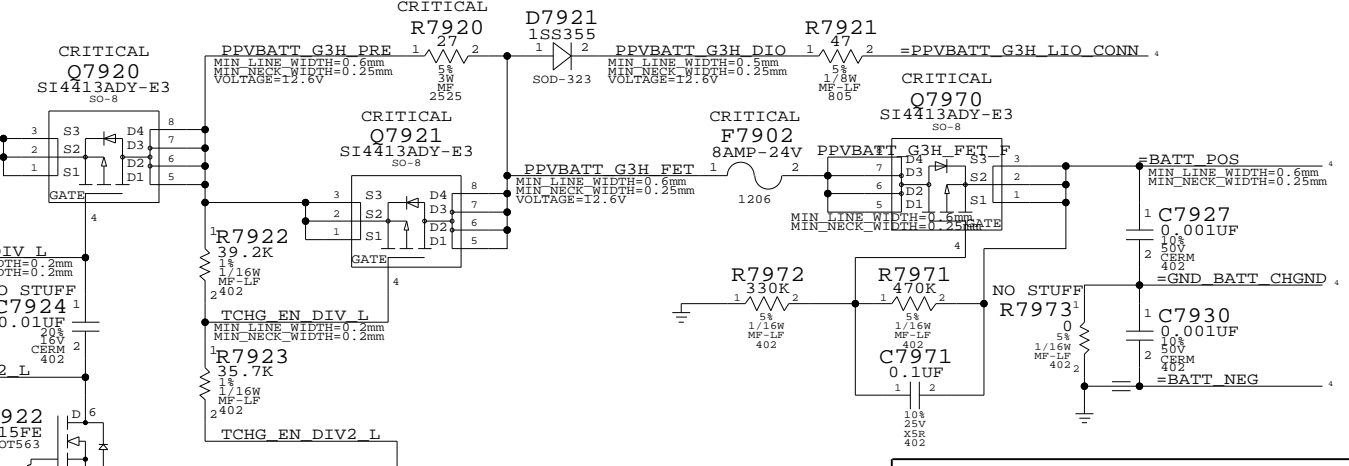


PART#	QTY	DESCRIPTION	REFERENCE DESIGNATOR(S)	CRITICAL	BOM OPTION
353S1510	1	ISL6257H, BATT CHGR, 28P, QFN	U7900	CRITICAL	ISL6257H
116S0004	1	0 OHM, 5%, 1/16W, 0402	SMD, L7904		ISL6257H

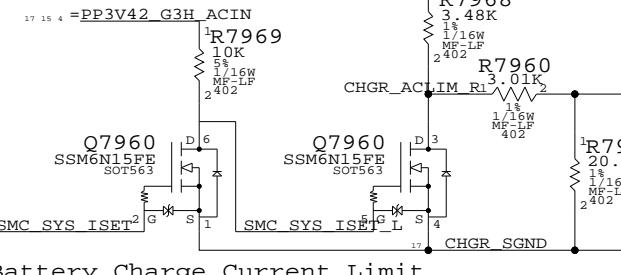
Energy Star LDO



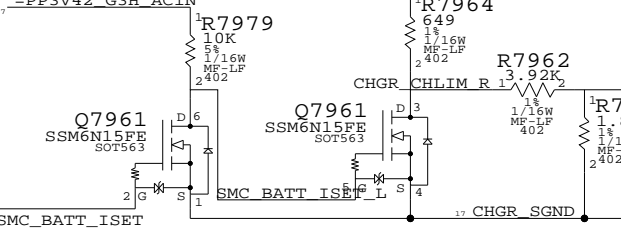
Battery Charge FETs



Adapter Input Current Limit



Battery Charge Current Limit



PBus Supply & Batt. Charger
 SYNC_MASTER=(Master) SYNC_DATE=(Master)
NOTICE OF PROPRIETARY PROPERTY
 THE INFORMATION CONTAINED HEREIN IS THE PROPRIETARY PROPERTY OF APPLE COMPUTER, INC. THE POSSESSOR AGREES TO THE FOLLOWING:
 I TO MAINTAIN THE DOCUMENT IN CONFIDENCE
 II NOT TO REPRODUCE OR COPY IT
 III NOT TO REVEAL OR PUBLISH IN WHOLE OR PART

APPLE COMPUTER INC.	SIZE	DRAWING NUMBER	REV.
	D	051-7226	8.0.0
SCALE	SHEET	OF	
NONE	17	20	

8

7

6

5

4

3

2

1

D

D

C

C

B

B

A

A

8

7

6

5

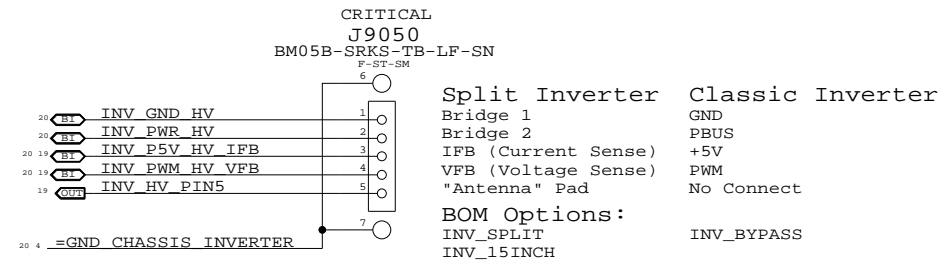
4

3

2

1

Inverter Connector



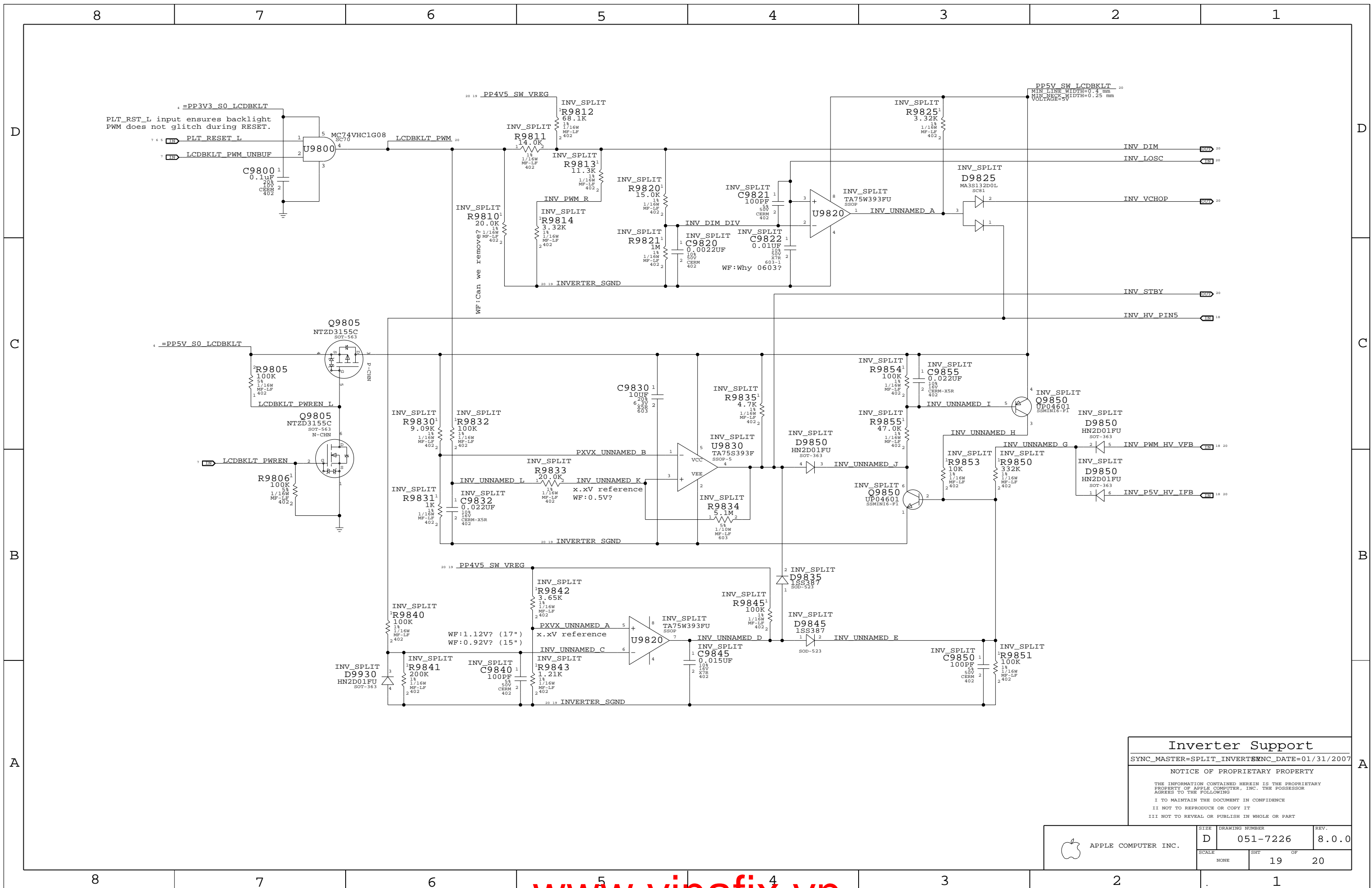
Inverter Connector
 SYNC_MASTER=SPLIT_INVERTER SYNC_DATE=12/06/2006

NOTICE OF PROPRIETARY PROPERTY

THE INFORMATION CONTAINED HEREIN IS THE PROPRIETARY PROPERTY OF APPLE COMPUTER, INC. THE POSSESSOR AGREES TO THE FOLLOWING

I TO MAINTAIN THE DOCUMENT IN CONFIDENCE
 II NOT TO REPRODUCE OR COPY IT
 III NOT TO REVEAL OR PUBLISH IN WHOLE OR PART

APPLE COMPUTER INC.	SIZE	DRAWING NUMBER	REV.
	D	051-7226	8.0.0
	SCALE	SHT	OF
	NONE	18	20



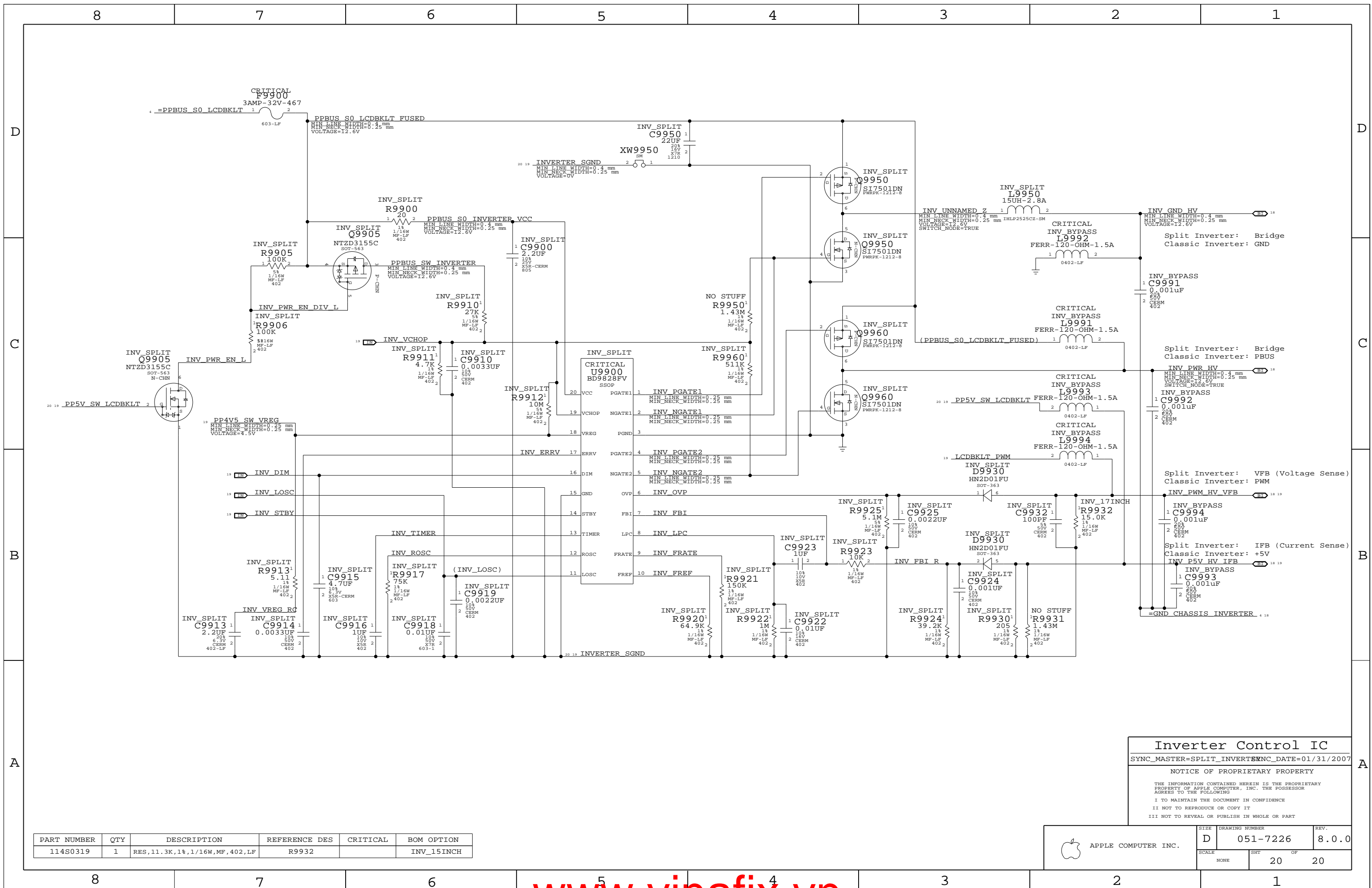
Inverter Support
 SYNC_MASTER=SPLIT_INVERTERXNC_DATE=01/31/2007

NOTICE OF PROPRIETARY PROPERTY

THE INFORMATION CONTAINED HEREIN IS THE PROPRIETARY PROPERTY OF APPLE COMPUTER, INC. THE POSSESSOR AGREES TO THE FOLLOWING

I TO MAINTAIN THE DOCUMENT IN CONFIDENCE
 II NOT TO REPRODUCE OR COPY IT
 III NOT TO REVEAL OR PUBLISH IN WHOLE OR PART

APPLE COMPUTER INC.	SIZE D	DRAWING NUMBER 051-7226	REV. 8.0.0
	SCALE NONE	SHEET 19	OF 20



PART NUMBER	QTY	DESCRIPTION	REFERENCE DES	CRITICAL	BOM OPTION
114S0319	1	RES, 11.3K, 1%, 1/16W, MF, 402, LF	R9932		INV_15INCH

Inverter Control IC
 SYNC_MASTER=SPLIT_INVERTER;MNC_DATE=01/31/2007

NOTICE OF PROPRIETARY PROPERTY

THE INFORMATION CONTAINED HEREIN IS THE PROPRIETARY PROPERTY OF APPLE COMPUTER, INC. THE POSSESSOR AGREES TO THE FOLLOWING

I TO MAINTAIN THE DOCUMENT IN CONFIDENCE
 II NOT TO REPRODUCE OR COPY IT
 III NOT TO REVEAL OR PUBLISH IN WHOLE OR PART

APPLE COMPUTER INC.	SIZE	DRAWING NUMBER	REV.
	D	051-7226	8.0.0
SCALE	SHT	OF	
NONE	20	20	