

8

7

6

5

4

3

2

1

- 1. ALL RESISTANCE VALUES ARE IN OHMS, 0.1 WATT +/- 5%.
- 2. ALL CAPACITANCE VALUES ARE IN MICROFARADS.
- 3. ALL CRYSTALS & OSCILLATOR VALUES ARE IN HERTZ.

SCHEM, DOB, Q41A

(DAUGHTER OF BUBBA)
12/15/2003

REV	ZONE	ECN	DESCRIPTION OF CHANGE	CK APPD	ENG APPD
				DATE	DATE
01		308001	ENGINEERING RELEASED	12/19/03	?

D

D

C

C

B


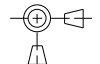
B

A

A

PAGE	CONTENTS
1	TITLE PAGE AND CONTENTS
2	PCB NOTES AND HOLES
3	BACK UP BATTERY
4	RIGHT USB PORT
5	CONSTRAINTS / REVISION HISTORY
6	SIGNAL LOCATIONS
7	COMPONENT LOCATIONS

PART#	QTY	DESCRIPTION	REFERENCE DESIGNATOR(S)	BOM OPTION
051-6601	1	SCHEM, DOB, Q41A	SCH1	
820-1618	1	PCBF, DOB, Q41A	PCB1	

DIMENSIONS ARE IN MILLIMETERS		METRIC		 Apple Computer Inc.	
XX : _____	_____	DRAPFER	DESIGN CK	NOTICE OF PROPRIETARY PROPERTY THE INFORMATION CONTAINED HEREIN IS THE PROPRIETARY PROPERTY OF APPLE COMPUTER, INC. THE POSSESSOR AGREES TO THE FOLLOWING I TO MAINTAIN THE DOCUMENT IN CONFIDENCE II NOT TO REPRODUCE OR COPY IT III NOT TO REVEAL OR PUBLISH IN WHOLE OR PART	
X.XX : _____	_____	ENG APPD	MFG APPD		
X.XXX : _____	_____	QA APPD	DESIGNER		
ANGLES : _____	_____	RELEASE	SCALE		
DO NOT SCALE DRAWING		SCALE NONE		TITLE	
 THIRD ANGLE PROJECTION		MATERIAL/FINISH NOTED AS APPLICABLE		SIZE D	DRAWING NUMBER
					051-6601
					REV. 01
				SHT 1 OF 5	

8

7

6

5

4

3

2

1

8

7

6

5

4

3

2

1

PCB SPECS

THICKNESS : 1.2 MM / 0.047 IN
 1/2 OZ CU THICKNESS: 0.7 MILS
 1.0 OZ CU THICKNESS: 1.4 MILS

IMPEDANCE : 50 OHMS +/- 10%
 DIELECTRIC: FR-4
 LAYER COUNT: 12
 SIGNAL TRACE WIDTH: 4 MILS
 SIGNAL TRACE SPACING: 4 MILS
 PREPREG THICKNESS: 2-3 MILS

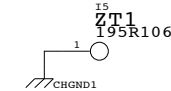
SEE PCB CAD FILES FOR MORE SPECIFIC INFO.

BOARD STACK-UP AND CONSTRUCTION

20R10 TH VIA OR VIA IN PAD

1	SIGNAL (1/3 OZ + COPPER PLATING)
2 PREPREG (3MIL)	GROUND (1/2 OZ)
3 LAMINATE (4MIL)	SIGNAL (1/2 OZ)
4 PREPREG (3MIL)	SIGNAL (1/2 OZ)
5 LAMINATE (4MIL)	GROUND (1/2 OZ)
6 PREPREG (2MIL)	CUT POWER PLANE(1 OZ)
7 LAMINATE (3MIL)	CUT POWER PLANE(1 OZ)
8 PREPREG (2MIL)	GROUND (1/2 OZ)
9 LAMINATE (4MIL)	SIGNAL (1/2 OZ)
10 PREPREG (3MIL)	SIGNAL (1/2 OZ)
11 LAMINATE (4MIL)	GROUND (1/2 OZ)
12 PREPREG (3MIL)	SIGNAL (1/3 OZ + COPPER PLATING)

BOARD HOLES



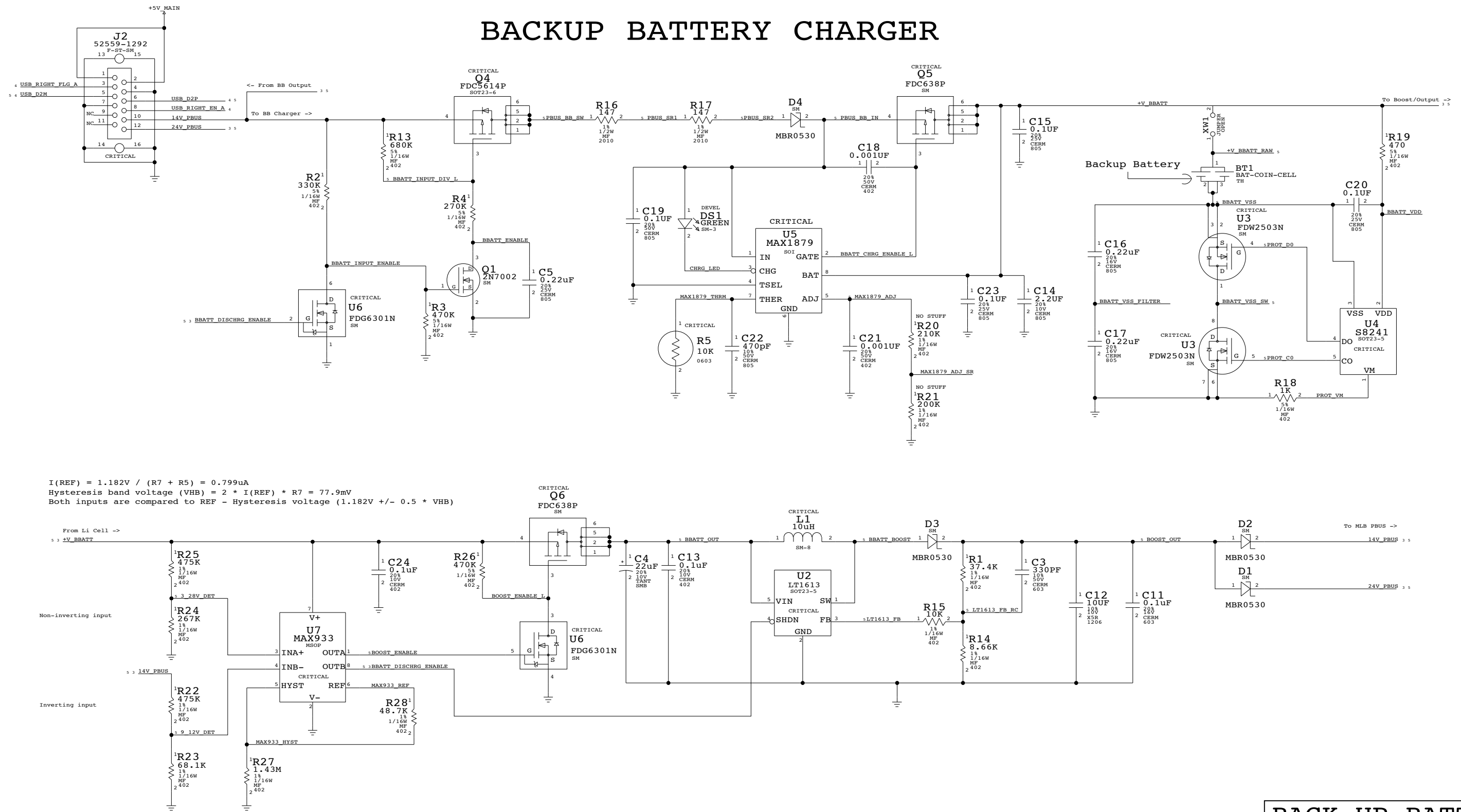
PCB BOARD STANDOFFS

BOARD INFORMATION

NOTICE OF PROPRIETARY PROPERTY
 THE INFORMATION CONTAINED HEREIN IS THE PROPRIETARY PROPERTY OF APPLE COMPUTER, INC. THE POSSESSOR AGREES TO THE FOLLOWING
 I TO MAINTAIN THE DOCUMENT IN CONFIDENCE
 II NOT TO REPRODUCE OR COPY IT
 III NOT TO REVEAL OR PUBLISH IN WHOLE OR PART

APPLE COMPUTER INC.	SIZE	DRAWING NUMBER	REV.
	D	051-6601	01
SCALE	SHT		OF
NONE	2		5

BACKUP BATTERY CHARGER



$I(REF) = 1.182V / (R7 + R5) = 0.799\mu A$
 Hysteresis band voltage (VHB) = $2 * I(REF) * R7 = 77.9mV$
 Both inputs are compared to REF - Hysteresis voltage ($1.182V \pm 0.5 * VHB$)

BACK UP BATTERY

NOTICE OF PROPRIETARY PROPERTY
 THE INFORMATION CONTAINED HEREIN IS THE PROPRIETARY PROPERTY OF APPLE COMPUTER, INC. THE POSSESSOR AGREES TO THE FOLLOWING
 I TO MAINTAIN THE DOCUMENT IN CONFIDENCE
 II NOT TO REPRODUCE OR COPY IT
 III NOT TO REVEAL OR PUBLISH IN WHOLE OR PART

APPLE COMPUTER INC.	SIZE	DRAWING NUMBER	REV.
	D	051-6601	01
SCALE	NONE	SHT	OF
		3	5

D

D

C

C

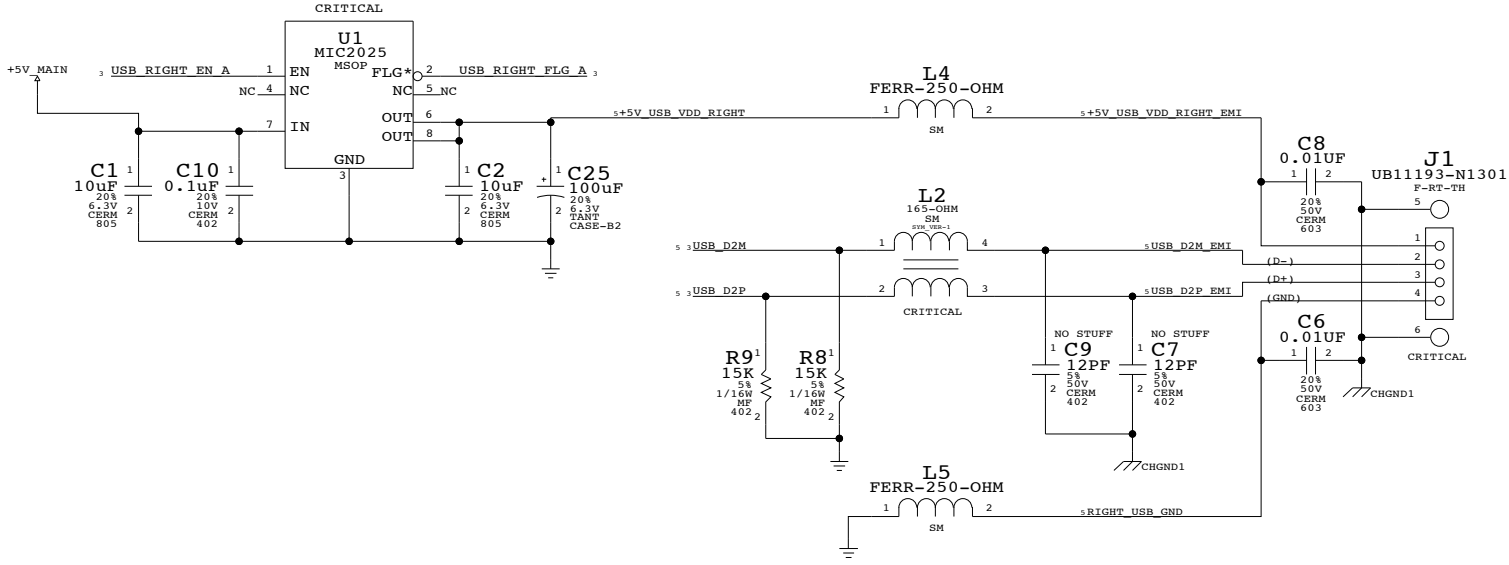
B

B

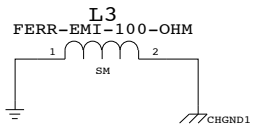
A

A

RIGHT USB PORT



PUT L2, L4 AND L5 ACROSS THE MOAT



USB CONNECTOR

NOTICE OF PROPRIETARY PROPERTY
 THE INFORMATION CONTAINED HEREIN IS THE PROPRIETARY PROPERTY OF APPLE COMPUTER, INC. THE POSSESSOR AGREES TO THE FOLLOWING
 I TO MAINTAIN THE DOCUMENT IN CONFIDENCE
 II NOT TO REPRODUCE OR COPY IT
 III NOT TO REVEAL OR PUBLISH IN WHOLE OR PART

APPLE COMPUTER INC.	SIZE	DRAWING NUMBER	REV.
	D	051-6601	01
SCALE	NONE	SHT	OF
		4	5

8

7

6

5

4

3

2

1

Differential Signals

GROUP	SIG_NAME	DIFFERENTIAL_PAIR	MATCHED_DELAY
USB	USB_D2M	USB_D2	USB_D2:J2.5:L2.1:200
	USB_D2P	USB_D2	USB_D2:J2.6:L2.2:200
	USB_D2M_EMI	USB_D2_EMI	USB_D2_EMI:L2.4:J1.2:200
	USB_D2P_EMI	USB_D2_EMI	USB_D2_EMI:L2.3:J1.3:200

REVISION HISTORY

04/22/03 - DESIGN ORIGINATED FROM 051-6283
 04/23/03 - (PG. 3) CHANGED C12 TO LOW-PROFILE PART
 EVT 04/28/03 - (PG. 4) REPLACED R6 & R7 WITH 250-OHM 2A FERRITES (TABLE ITEM)
 04/29/03 - (PG. 4) CHANGED R6 & R7 TO L4 & L5 (PAD CHANGE FOR FERRITES)
 07/24/03 - PRODUCTION RELEASE

Power Signals

GROUP	SIG_NAME	VOLTAGE	MIN_LINE_WIDTH	MIN_NECK_WIDTH
BATTERY	24V_PBUS	VOLTAGE=24V	MIN_LINE_WIDTH=20	MIN_NECK_WIDTH=10
	14V_PBUS	VOLTAGE=14V	MIN_LINE_WIDTH=20	MIN_NECK_WIDTH=10
	PBUS_BB_IN	VOLTAGE=14V	MIN_LINE_WIDTH=20	MIN_NECK_WIDTH=10
	PBUS_SR2	VOLTAGE=14V	MIN_LINE_WIDTH=20	MIN_NECK_WIDTH=10
	PBUS_SR1	VOLTAGE=14V	MIN_LINE_WIDTH=20	MIN_NECK_WIDTH=10
	PBUS_BB_SW	VOLTAGE=14V	MIN_LINE_WIDTH=20	MIN_NECK_WIDTH=10
	+V_BBATT	VOLTAGE=4.2V	MIN_LINE_WIDTH=20	MIN_NECK_WIDTH=10
	+V_BBATT_RAM	VOLTAGE=4.2V	MIN_LINE_WIDTH=20	MIN_NECK_WIDTH=10
	BBATT_VSS	VOLTAGE=0V	MIN_LINE_WIDTH=20	MIN_NECK_WIDTH=10
	BBATT_VSS_SW	VOLTAGE=0V	MIN_LINE_WIDTH=20	MIN_NECK_WIDTH=10
MAX1879	MAX1879_ADJ	VOLTAGE=1.4V	MIN_LINE_WIDTH=8	MIN_NECK_WIDTH=10
	BBATT_INPUT_DIV_L	VOLTAGE=14V	MIN_LINE_WIDTH=20	MIN_NECK_WIDTH=10
S8241	PROT_D0	VOLTAGE=4.2V	MIN_LINE_WIDTH=8	MIN_NECK_WIDTH=10
	PROT_C0	VOLTAGE=4.2V	MIN_LINE_WIDTH=8	MIN_NECK_WIDTH=10
MAX933	9_12V_DET	VOLTAGE=1.2V	MIN_LINE_WIDTH=8	MIN_NECK_WIDTH=10
	3_28V_DET	VOLTAGE=1.2V	MIN_LINE_WIDTH=8	MIN_NECK_WIDTH=10
	BOOST_ENABLE	VOLTAGE=4.2V	MIN_LINE_WIDTH=8	MIN_NECK_WIDTH=10
	BBATT_DISCHRG_ENABLE	VOLTAGE=4.2V	MIN_LINE_WIDTH=8	MIN_NECK_WIDTH=10
LT1613	BBATT_OUT	VOLTAGE=4.2V	MIN_LINE_WIDTH=20	MIN_NECK_WIDTH=10
	BBATT_BOOST	VOLTAGE=6.5V	MIN_LINE_WIDTH=20	MIN_NECK_WIDTH=10
	BOOST_OUT	VOLTAGE=6.5V	MIN_LINE_WIDTH=20	MIN_NECK_WIDTH=10
	LT1613_FB	VOLTAGE=1.3V	MIN_LINE_WIDTH=8	MIN_NECK_WIDTH=10
USB	LT1613_FB_RC	VOLTAGE=1.3V	MIN_LINE_WIDTH=8	MIN_NECK_WIDTH=10
	+5V_USB_VDD_SW	VOLTAGE=5V	MIN_LINE_WIDTH=20	MIN_NECK_WIDTH=10
	+5V_USB_VDD_RIGHT	VOLTAGE=5V	MIN_LINE_WIDTH=20	MIN_NECK_WIDTH=10
	+5V_USB_VDD_RIGHT_EMI	VOLTAGE=5V	MIN_LINE_WIDTH=20	MIN_NECK_WIDTH=10
	RIGHT_USB_GND	VOLTAGE=0V	MIN_LINE_WIDTH=20	MIN_NECK_WIDTH=10
	+5V_MAIN	VOLTAGE=5V	MIN_LINE_WIDTH=20	MIN_NECK_WIDTH=10
	GND	VOLTAGE=0V	MIN_LINE_WIDTH=20	MIN_NECK_WIDTH=10

SIGNAL CONSTRAINTS

NOTICE OF PROPRIETARY PROPERTY

THE INFORMATION CONTAINED HEREIN IS THE PROPRIETARY PROPERTY OF APPLE COMPUTER, INC. THE POSSESSOR AGREES TO THE FOLLOWING

I TO MAINTAIN THE DOCUMENT IN CONFIDENCE

II NOT TO REPRODUCE OR COPY IT

III NOT TO REVEAL OR PUBLISH IN WHOLE OR PART



APPLE COMPUTER INC.

SIZE	DRAWING NUMBER	REV.
D	051-6601	01
SCALE	SHT	OF
NONE	5	5

www.vinafix.vn

8

7

6

5

4

3

2

1