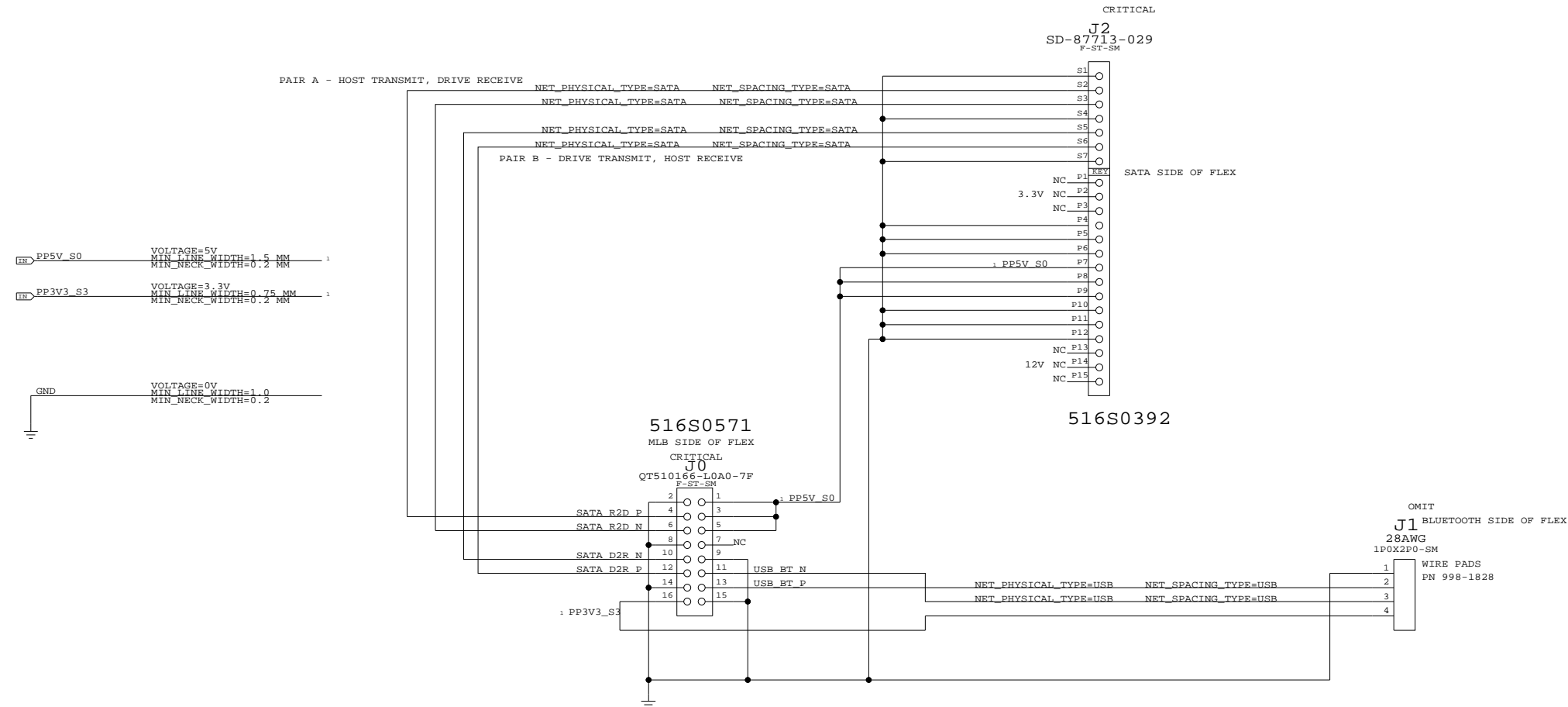


REV	ZONE	ECN	DESCRIPTION OF CHANGE	CK APPD DATE	ENG APPD DATE
02		526845	ENGINEERING RELEASED	08/21/07	

# SCHEM, FLEX, SATA, M88

08/21/07



PART#	QTY	DESCRIPTION	REFERENCE DESIGNATOR(S)	CRITICAL	BOM OPTION
051-7463	1	SCHEM, FLEX, SATA, M88	SCH1	CRITICAL	?
821-0588	1	PCBP, FLEX, SATA, M88	PCB1	CRITICAL	?
632-0619	1	PCBA, FLEX, HDD/BT, M88	BOM1	X	OMIT
056-2218	1	PCB DSGN GD, FLEX, HDD/BT, M88	MCO1	CRITICAL	?

DIMENSIONS ARE IN MILLIMETERS		METRIC		APPLE INC.	
xx :	_____	DRAPTR	DESIGN CK	NOTICE OF PROPRIETARY PROPERTY THE INFORMATION CONTAINED HEREIN IS THE PROPRIETARY PROPERTY OF APPLE COMPUTER, INC. THE POSSESSOR AGREES TO THE FOLLOWING: I TO MAINTAIN THE DOCUMENT IN CONFIDENCE II NOT TO REPRODUCE OR COPY IT III NOT TO REVEAL OR PUBLISH IN WHOLE OR PART	
x.xxx :	_____	ENG APPD	MFG APPD		
x.xxx :	_____	QA APPD	DESIGNER		
ANGLES :	_____	RELEASE	SCALE		
DO NOT SCALE DRAWING		NONE		TITLE	
 THIRD ANGLE PROJECTION		MATERIAL/FINISH NOTED AS APPLICABLE		SIZE D	DRAWING NUMBER
				051-7463	REV. 02
				SHT 1 OF 3	

8

7

6

5

4

3

2

1

```

Title:      Basenet Report
Design:    flex_hdd
Date:      Jan 24 13:35:15 2007

Base nets and synonyms for flex_hdd.lib.FLEX_HDD(@flex_hdd.lib.flex_hdd(sch_1))
Base Signal      Synonyms      Location({Zone}{dir})
PP3V3_S3         PP3V3_S3 - @flex_hdd.lib.FLEX_HDD 1B6 1C6
PP5V_S0          PP5V_S0 - @flex_hdd.lib.FLEX_HDD 1B5 1C4 1C6
SATA_D2R_N       SATA_D2R_N - @flex_hdd.lib.FLEX_HDD 1B6
SATA_D2R_P       SATA_D2R_P - @flex_hdd.lib.FLEX_HDD 1B6
SATA_R2D_N       SATA_R2D_N - @flex_hdd.lib.FLEX_HDD 1B6
SATA_R2D_P       SATA_R2D_P - @flex_hdd.lib.FLEX_HDD 1B6
USB_BT_N         USB_BT_N - @flex_hdd.lib.FLEX_HDD 1B5
USB_BT_P         USB_BT_P - @flex_hdd.lib.FLEX_HDD 1B5

```

D

D

C

C

B

B

A

A

8

7

6

5

4

3

2

1

8

7

6

5

4

3

2

1

Title: Cref Part Report  
Design: flex\_hdd  
Date: Jan 24 13:35:15 2007

J0 CON\_F16ST\_D\_SMA\_F-ST flex\_hdd{1B5}  
-SM  
J1 CON\_4FC\_S\_FC-SM flex\_hdd{1B3}  
J2 CON\_F22ST\_S\_SM1\_F-ST flex\_hdd{1C4}  
-SM

D

D

C

C

B

B

A

A

8

7

6

5

4

3

2

1