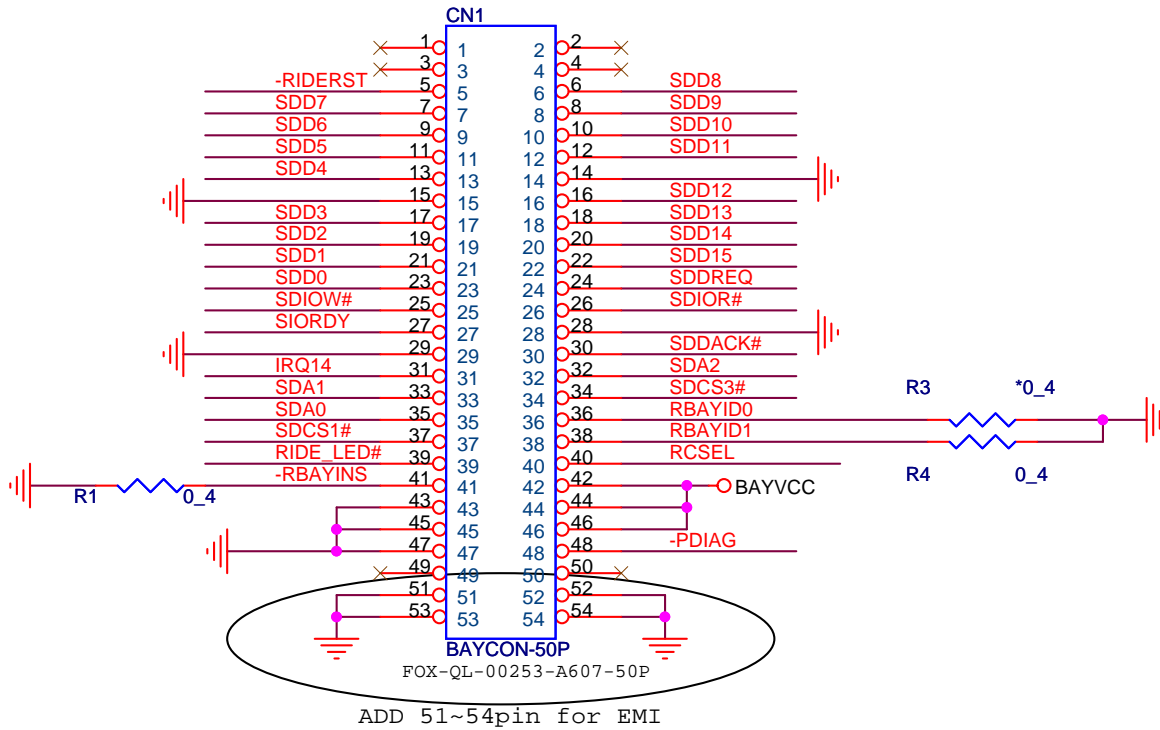
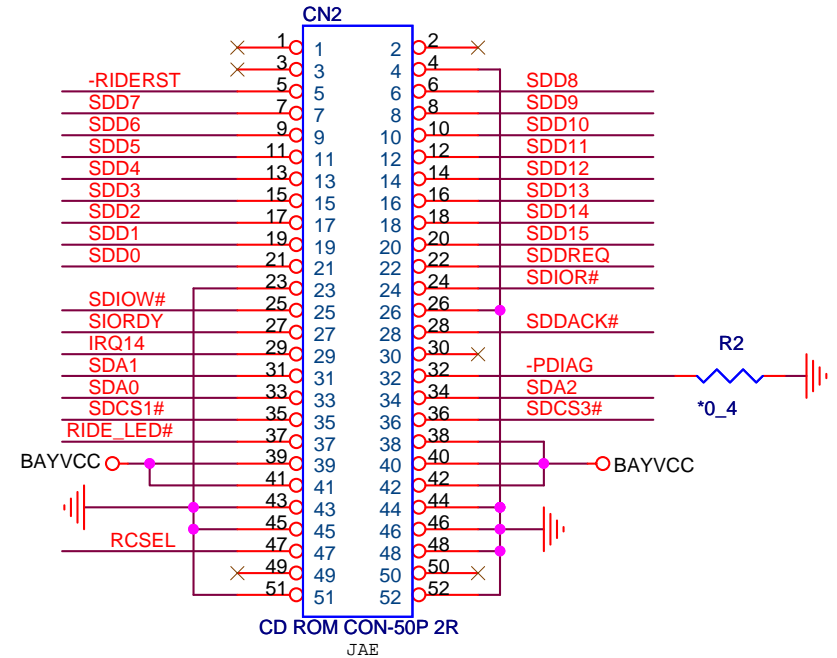


**MB Connector**



**DVD Connector**



B1B:Change CN2 footprint to CDR-14313-15001-50P-RDV

RBAYID0 RBAYID1

0	0	FDD
0	1	HDD ( SATA / PATA )
1	0	ODD

**PROJECT : ZC1**  
**Quanta Computer Inc.**

Size	Document Number	Rev
	<b>CD ROM BOARD</b>	1B
Date:	Tuesday, September 27, 2005	Sheet 1 of 1