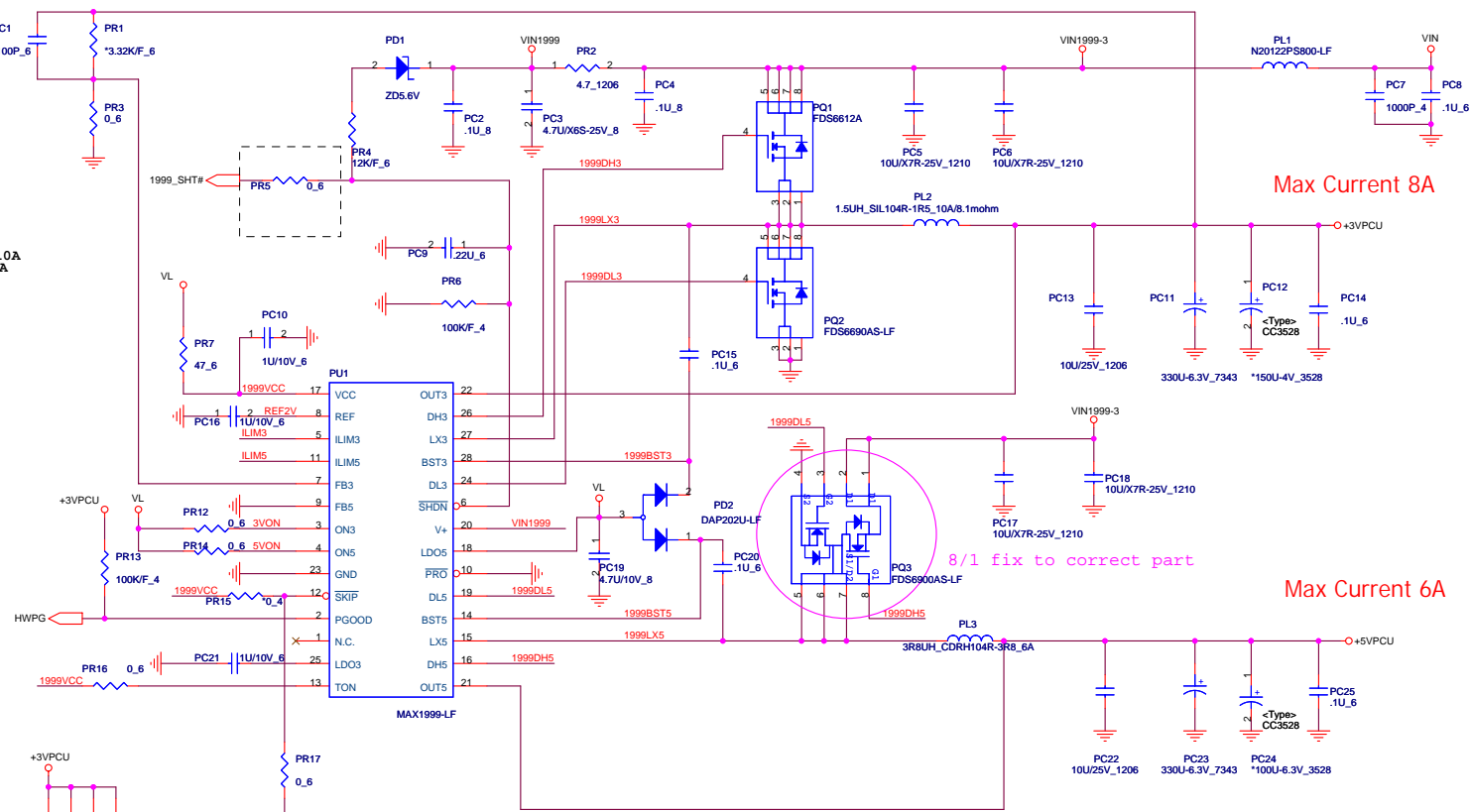
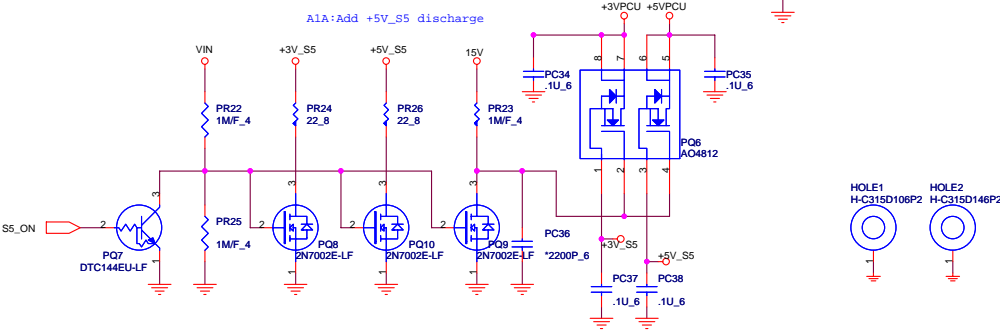
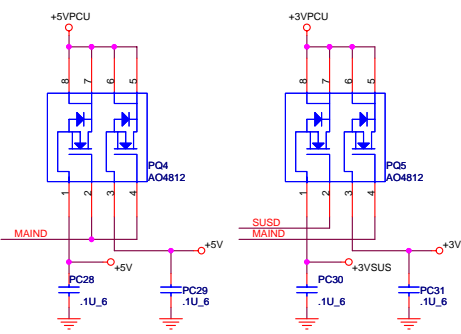
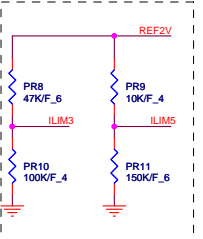


ILIM3 = 1.04V Current limit 10A
 ILIM5 = 0.78V Current limit 9A

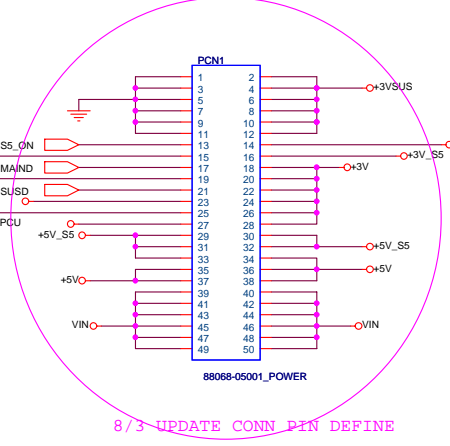


Max Current 8A

Max Current 6A

A1A: Change to HWPG

A1A: Add +5V_S5 discharge



8/3- UPDATE CONN PIN DEFINE