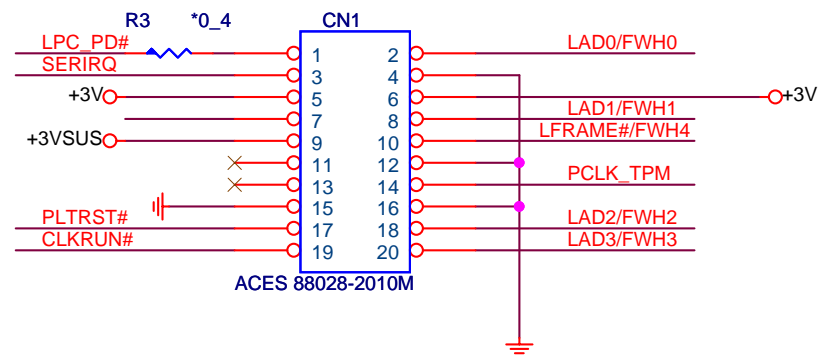
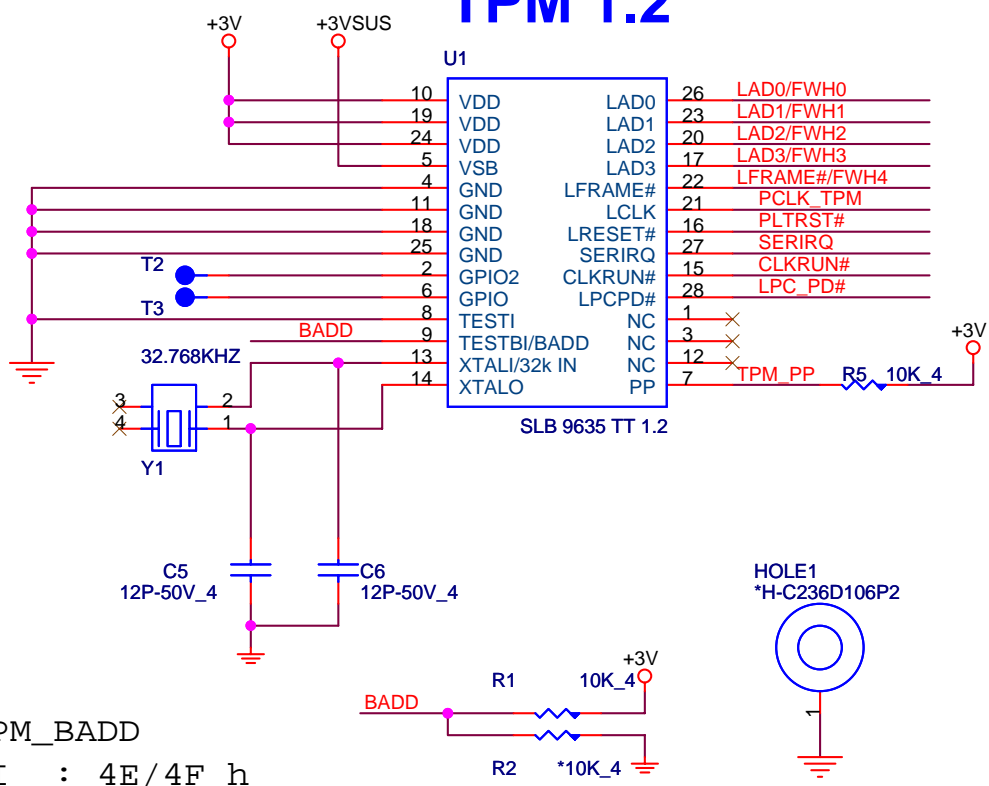
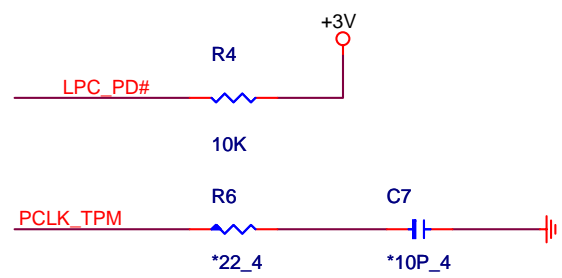


# TPM 1.2



B1B: Change TPM pin define to same as ZH2



```

TPM_BADD
HI : 4E/4F h
LOW : 2E/2F h

TPM_PP
HI : ACCESS
LOW : NORMAL ( Internal PD )
  
```

**PROJECT : ZC1**  
**Quanta Computer Inc.**

Size	Document Number	Rev
	<b>TPM 1.2</b>	1A
Date:	February, September 10, 2005	Sheet 1 of 1