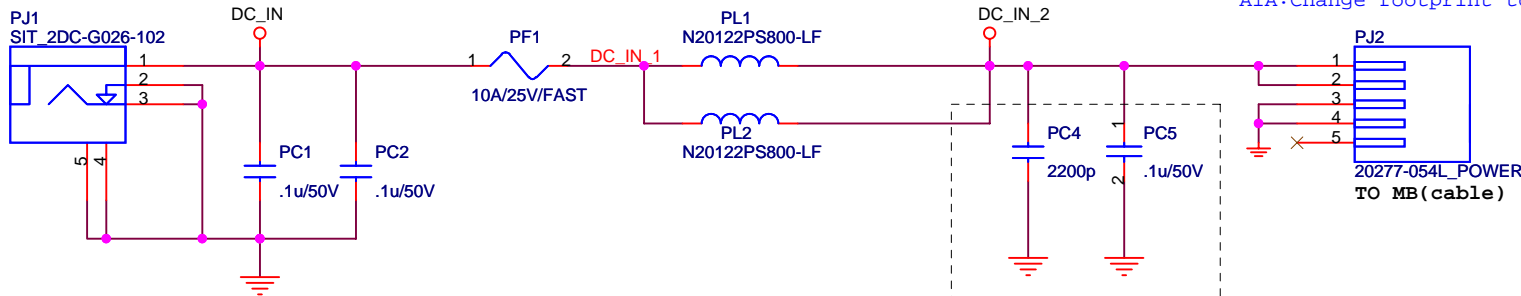
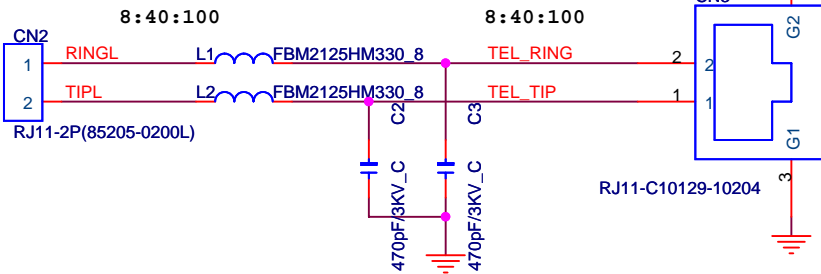
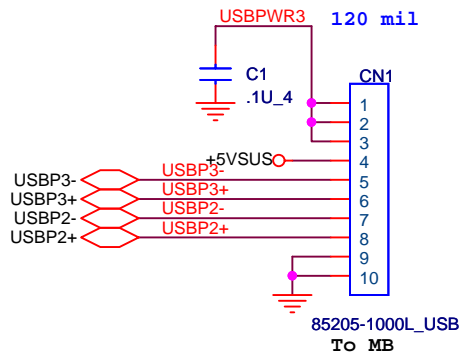


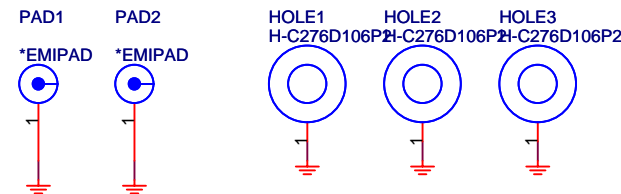
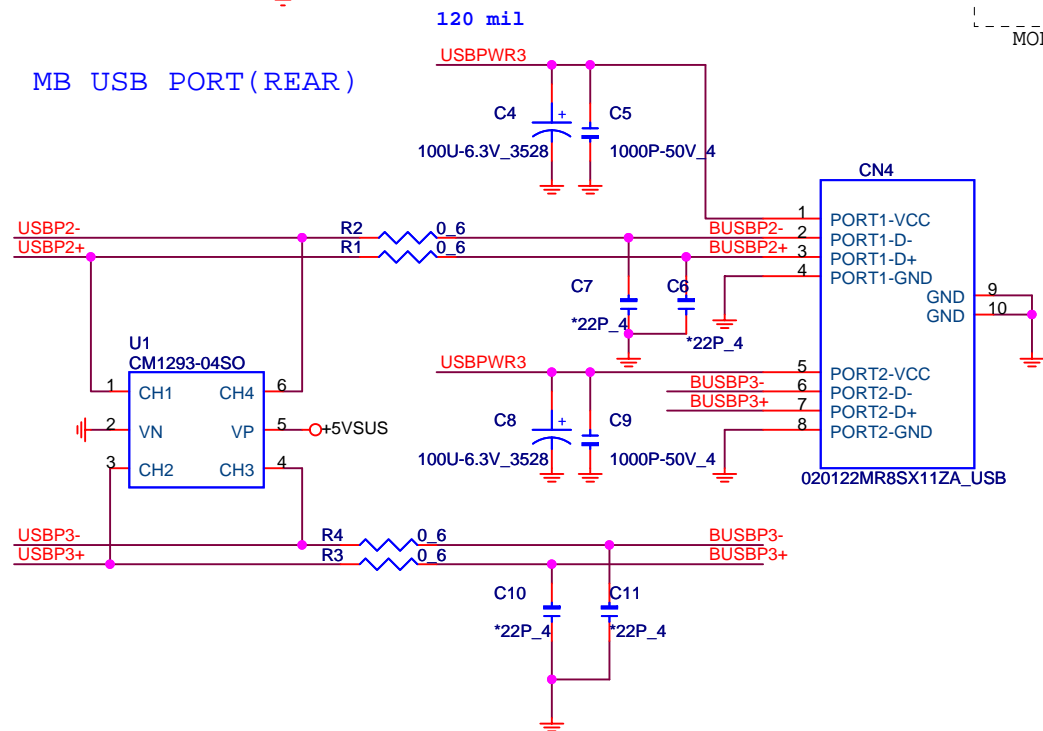
A1A:Change footprint to 85205-10X01-10P-L

A1A:Change footprint to RJ11-C10129-10200-RVS-2P-R-H



A1A:Change footprint to 20277-05XX-5P-L

MB USB PORT (REAR)



PROJECT : ZC1
Quanta Computer Inc.

Size	Document Number	Rev
Custom	USB,RJ11,DC IN	1A
Date:	Wednesday, September 14, 2005	Sheet 1 of 1