

DVT-2

N88 SINGLE_BRD_ESD(MLB) 3/23/2009 A, REV 5

PAGE

CONTENTS

02

RADIO AND AP SCHEMATIC INSTANTIATION

PART#	QTY	DESCRIPTION	REFERENCE DESIGNATOR(S)	CRITICAL	BOM OPTION
051-8004	1	N88_SCHEMATIC_TOP	SCH	Y	?
820-2580	1	N88_SINGLE_BOARD	PCB	Y	?
PROTO_RADIO	1	2G RF SOLUTION		Y	2G_RF
PROTO_RADIO	1	3G RF SOLUTION		Y	3G_RF
COMPASS	1	BOTTOM COMPASS LOCATION		Y	COMPASS_BOT
COMPASS	1	TOP COMPASS LOCATION		Y	COMPASS_TOP
JTAG	1	JTAG DEVELOPMENT BOM		Y	DEVELOPMENT
JTAG	1	JTAG PRODUCTION BOM		Y	PRODUCTION

NAND BOM OPTIONS

PART#	QTY	DESCRIPTION	REFERENCE DESIGNATOR(S)	CRITICAL	BOM OPTION
335S0643	1	8GB HYNIX 48NM FLASH	U1_AP	Y	FLASH_8GB
335S0642	1	16GB SAMSUNG 42NM FLASH	U1_AP	Y	FLASH_16GB
335S0650	1	32GB SAMSUNG 43NM FLASH	U1_AP	Y	FLASH_32GB

NAND ALTERNATES

PART NUMBER	ALTERNATE FOR PART NUMBER	BOM OPTION	REF DES	COMMENTS:
335S0637	335S0598	FLASH_8GB	U1_AP	8GB SAMSUNG 42NM FLASH
		?		

DEV FUSED BB BOM OPTION

PART#	QTY	DESCRIPTION	REFERENCE DESIGNATOR(S)	CRITICAL	BOM OPTION
998-2348	1	DEV FUSED BB	U22_RF	Y	DEV_FUSED_BB

N88 EEE BOM LABELS

PART#	QTY	DESCRIPTION	REFERENCE DESIGNATOR(S)	CRITICAL	BOM OPTION
825-2029	1	EEE FOR 639-0066 (16G)	EEE:8DL	Y	EEE_16GB_MURATA
825-2029	1	EEE FOR 639-0067 (16G)	EEE:8DM	Y	EEE_16GB_MITSUMI
825-2029	1	EEE FOR 639-0068 (32G)	EEE:8DN	Y	EEE_32GB_MURATA
825-2029	1	EEE FOR 639-0069 (32G)	EEE:8DP	Y	EEE_32GB_MITSUMI

SIM CONNECTOR ALTERNATE

PART NUMBER	ALTERNATE FOR PART NUMBER	BOM OPTION	REF DES	COMMENTS:
512S0069	512S0060	?	J2_AP	SIM CONNECTOR
512S0070	512S0060	?	J2_AP	SIM CONNECTOR

WIFI/BT BOM OPTIONS

PART#	QTY	DESCRIPTION	REFERENCE DESIGNATOR(S)	CRITICAL	BOM OPTION
339S0072	1	MURATA WIFI/BT MODULE	U6_RF	Y	MURATA
339S0077	1	MITSUMI WIFI/BT MODULE	U6_RF	Y	MITSUMI
118S0012	1	MURATA ID RESISTOR	R61_RF	Y	MURATA
118S0012	1	MITSUMI ID RESISTOR	R6_RF	Y	MITSUMI

GPS TCXO BOM OPTIONS

PART#	QTY	DESCRIPTION	REFERENCE DESIGNATOR(S)	CRITICAL	BOM OPTION
197S0250	1	KDS TCXO	G3_RF	Y	KDS_GPS_TCXO
197S0274	1	EPSON TCXO	G3_RF	Y	EPSON_GPS_TCXO

VIDEO AMP ALTERNATE

PART NUMBER	ALTERNATE FOR PART NUMBER	BOM OPTION	REF DES	COMMENTS:
353S1625	353S1650	?	U14_AP	VIDEO AMP

DISPLAY DC-DC ALTERNATE

PART NUMBER	ALTERNATE FOR PART NUMBER	BOM OPTION	REF DES	COMMENTS:
353S1989	353S2529	?	U20_AP	LCM DC-DC

ZIF CONNECTOR ALTERNATE

PART NUMBER	ALTERNATE FOR PART NUMBER	BOM OPTION	REF DES	COMMENTS:
518S0611	518S0600	?	J7_AP	ALS ZIF CONN

26 MHZ ALTERNATE

PART NUMBER	ALTERNATE FOR PART NUMBER	BOM OPTION	REF DES	COMMENTS:
197S0255	197S0275	?	G2_RF	RF 26 MHZ CLK

BAND 2 PA

PART#	QTY	DESCRIPTION	REFERENCE DESIGNATOR(S)	CRITICAL	BOM OPTION
353S2363	1	BAND 2 PA, IPX	U37_RF	Y	IPX_BAW
353S2522	1	BAND 2 PA, TRIQUINT	U37_RF	Y	TQNT_BAW

RF DDR MEMORY

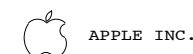
PART#	QTY	DESCRIPTION	REFERENCE DESIGNATOR(S)	CRITICAL	BOM OPTION
335S0617	1	SPANSION DDR	U1_RF	Y	RF_SPANSION
335S0652	1	NUMONYX DDR	U1_RF	Y	RF_NUMONYX
335S0632	1	SAMSUNG DDR	U1_RF	Y	RF_SAMSUNG
341S2474	1	ALL SUPPLIER SUB-BOM DDR	U1_RF	Y	RF_PROGRAMMED_BASEBAND_MEMORY

BOARD - 820-2580
 SCHEMATIC - 051-8004
 MCO - 056-2731

BOM - 639-0065 (16GB+MURATA)
 BOM - 639-0066 (16GB+MITSUMI)
 BOM - 639-0067 (32GB+MURATA)
 BOM - 639-0068 (32GB+MITSUMI)

NOTICE OF PROPRIETARY PROPERTY

THE INFORMATION CONTAINED HEREIN IS THE PROPRIETARY PROPERTY OF APPLE COMPUTER, INC. THE POSSESSOR AGREES TO THE FOLLOWING
 I TO MAINTAIN THE DOCUMENT IN CONFIDENCE
 II NOT TO REPRODUCE OR COPY IT
 III NOT TO REVEAL OR PUBLISH IN WHOLE OR PART



SIZE	DRAWING NUMBER	REV.
D	051-7710	02
SCALE	SHT	1 OF 9
NONE		

8

7

6

5

4

3

2

1

D

D

C

C

B

B

A

A

AP
I3

	20.9	BB_PMU_ON_N
	13.9	RADIO_ON
	13.6	BB_RST
	20.4	AP_PMU_EXTON
	21.9	VSIM
	26.9	VSD2
	13.6	BATTERY_SWI
	14.9	BB_USART0_CTS_N
	26.9	BB_USART0_RXD
	14.9	BB_USART0_RTS_N
	14.9	BB_USART0_TXD
CODEC	14.4	BB_I2S_CLK
	14.4	BB_I2S_TX
	14.4	BB_I2S_RX
	14.4	BB_I2S_WA0
	26.9	DOCK_TDI_MUX
AP_SUB_ESD	22.9	PWR_KEY_BB_N
	13.9	RESET_IV8_N
	13.4	RESET_DET_N
	13.9	BT_WAKE
WLAN	14.9	WLAN_RESET
	14.11	WLAN_SDIO_CLK
	14.11	WLAN_SDIO_CMD
	14.11	WLAN_SDIO_DATA<3..0>
SIM	21.9	SIMCRD_IO
	21.9	SIMCRD_CLK
	21.9	SIMCRD_RST
	21.4	SIM_DETECT
BLUETOOTH	14.11	BT_I2S_BCLK
	14.11	BT_I2S_DIN
	14.11	BT_I2S_LRCLK
	14.11	BT_I2S_DOUT
	14.9	BT_UART_RXD
	14.9	BT_UART_TXD
	14.9	BT_UART_RTS_N
	14.9	BT_UART_CTS_N
	13.9	BT_RESET
IPC	14.4	IPC_MOSI
	14.4	IPC_MISO
	14.4	IPC_SCLK
	14.4	IPC_SRDY
	14.4	IPC_MRDY
	14.4	BB_FLASH_ACTIVE
BATTERY	20.4	NTC
	20.4	BATSNS
	18.4	BATT_VCC_CURSNS
	14.9	AP_UART2_RXD
	26.4	UMTS_RXD
	13.4	AP_TEMP
	14.4	BB_I2S1_CLK
	4	BB_I2S1_TX
	14.4	BB_I2S1_RX
	14.4	BB_I2S1_WA0

RF
I2

RADIO_MLB

NOTICE OF PROPRIETARY PROPERTY

THE INFORMATION CONTAINED HEREIN IS THE PROPRIETARY PROPERTY OF APPLE COMPUTER, INC. THE POSSESSOR AGREES TO THE FOLLOWING

I TO MAINTAIN THE DOCUMENT IN CONFIDENCE

II NOT TO REPRODUCE OR COPY IT

III NOT TO REVEAL OR PUBLISH IN WHOLE OR PART



APPLE INC.

SIZE	D	DRAWING NUMBER	051-7710	REV.	02
SCALE	NONE	SHT	2	OF	9

8

7

6

5

4

3

2

1

N88 (ICE2.1) HSDPA RADIO


DVT - 03/02/09 (A) : BRD

PAGE	CONTENTS
02	BASEBAND
03	BASEBAND + MEMORY
04	BASEBAND PMU
05	GSM & UMTS TRANSCEIVER
06	POWER AMPS AND RF FRONT END
07	SYSTEM CONNECTORS
08	A-GPS
09	WLAN AND BLUETOOTH RADIO

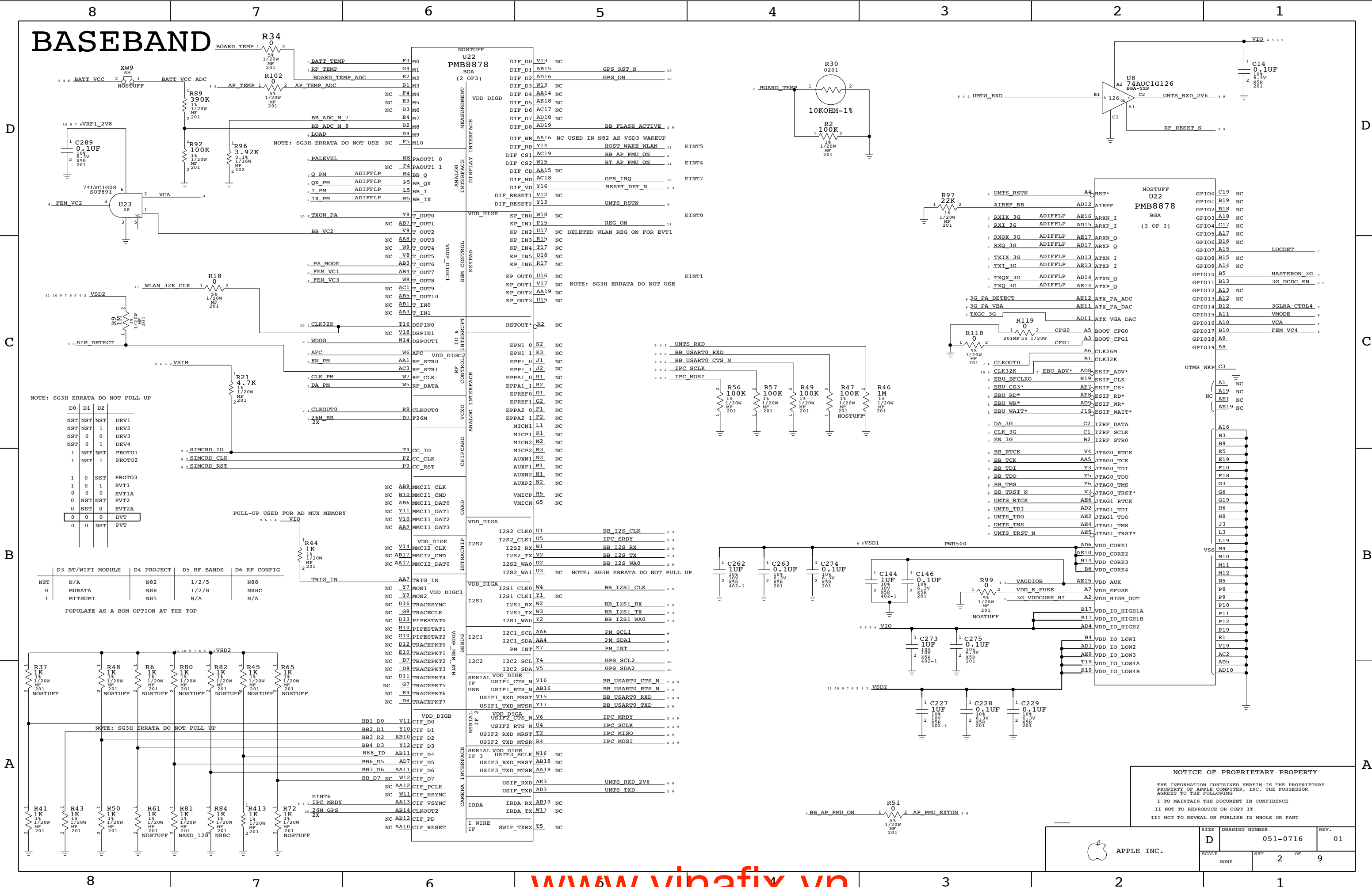
BOARD - 920-0593
 SCHEMATIC - 951-0716
 BOM - 630-9356

PART#	QTY	DESCRIPTION	REFERENCE DESIGNATOR(S)	CRITICAL	BOM OPTION
951-0716	1	N82_RF_AND_AP_SCHEMATIC	SCH	Y	
920-0593	1	N82_RF_AND_AP_PCB	PCB	Y	
825-2029	1	EEE: Y5K(8GB), YEU(16GB)	EEE:Y5K	Y	

NOTICE OF PROPRIETARY PROPERTY
 THE INFORMATION CONTAINED HEREIN IS THE PROPRIETARY PROPERTY OF APPLE COMPUTER, INC. THE POSSESSOR AGREES TO THE FOLLOWING
 I TO MAINTAIN THE DOCUMENT IN CONFIDENCE
 II NOT TO REPRODUCE OR COPY IT
 III NOT TO REVEAL OR PUBLISH IN WHOLE OR PART

 APPLE INC.	SIZE	DRAWING NUMBER	REV.
	D	051-0716	01
SCALE	SHT	1 OF	9
NONE			

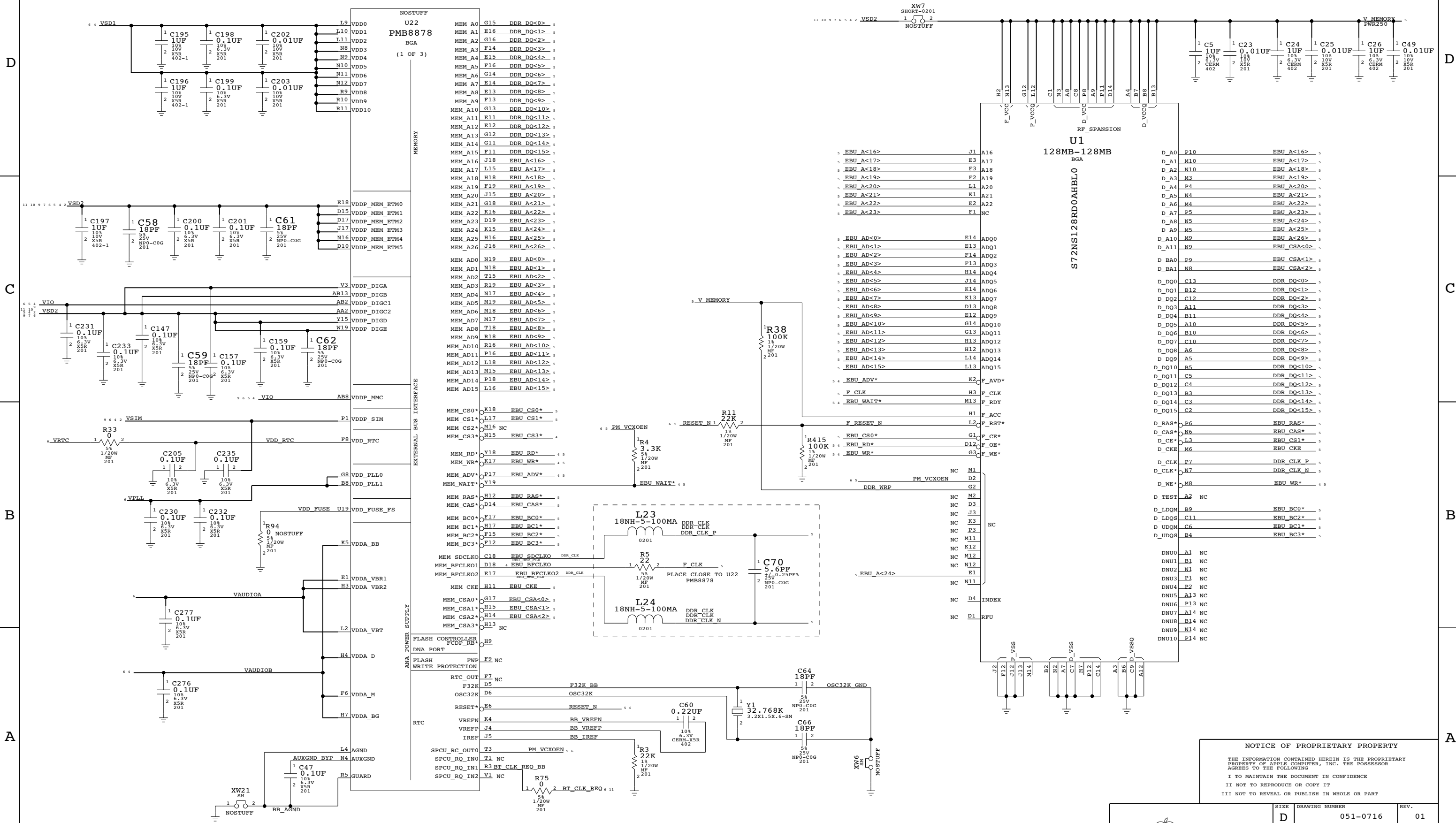
BASEBAND



APPLE INC.	SIZE	D	DRAWING NUMBER	051-0716	REV.	01
	SCALE	NONE	SHT	2	OF	9

BASEBAND/RADIO MEM

NOR/DDR MCP STACK



NOTICE OF PROPRIETARY PROPERTY

THE INFORMATION CONTAINED HEREIN IS THE PROPRIETARY PROPERTY OF APPLE COMPUTER, INC. THE POSSESSOR AGREES TO THE FOLLOWING:

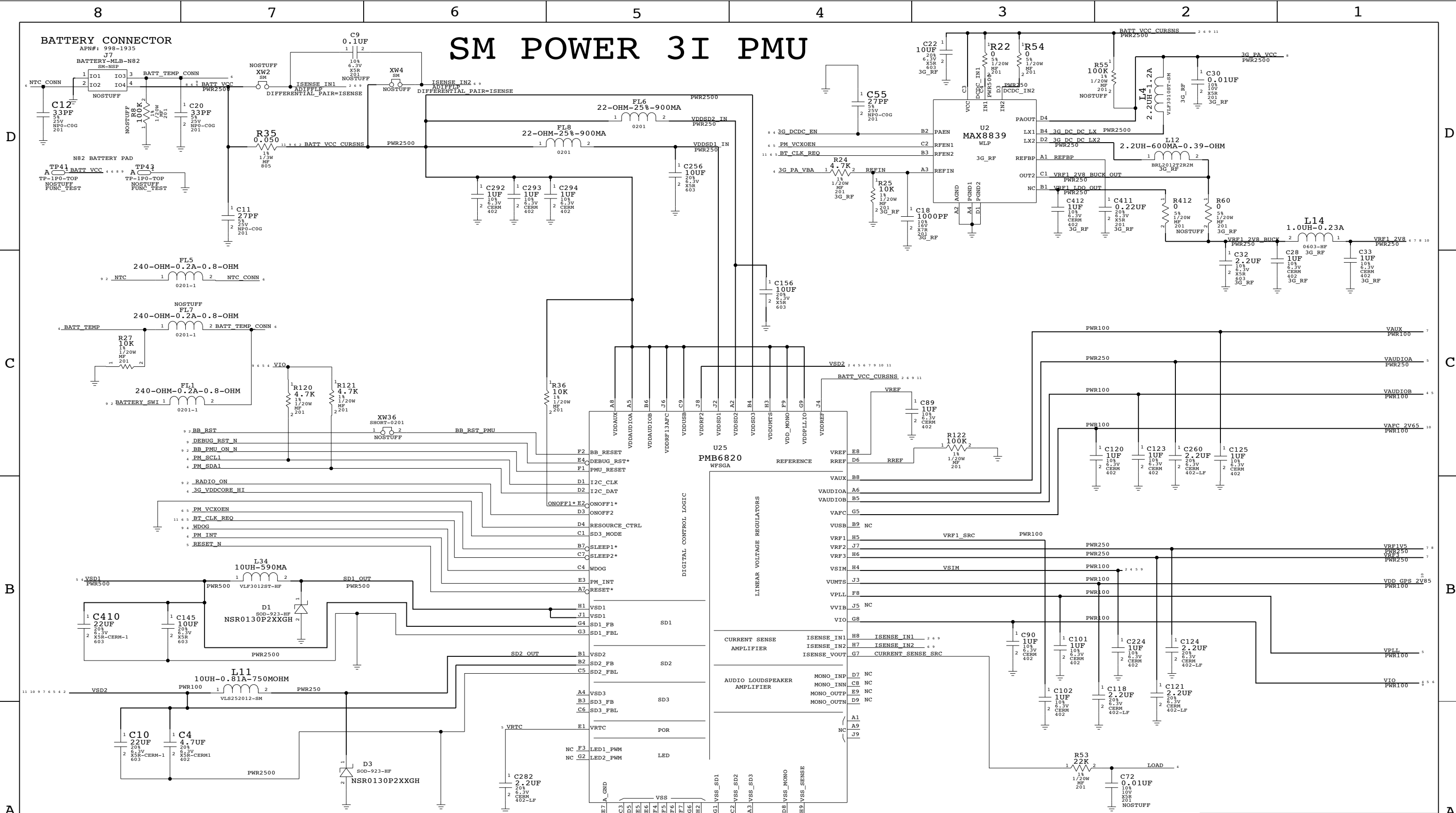
I TO MAINTAIN THE DOCUMENT IN CONFIDENCE

II NOT TO REPRODUCE OR COPY IT

III NOT TO REVEAL OR PUBLISH IN WHOLE OR PART

APPLE INC.	SIZE	DRAWING NUMBER	REV.
	D	051-0716	01
SCALE	SHT	OF	
NONE	3	9	

SM POWER 3I PMU

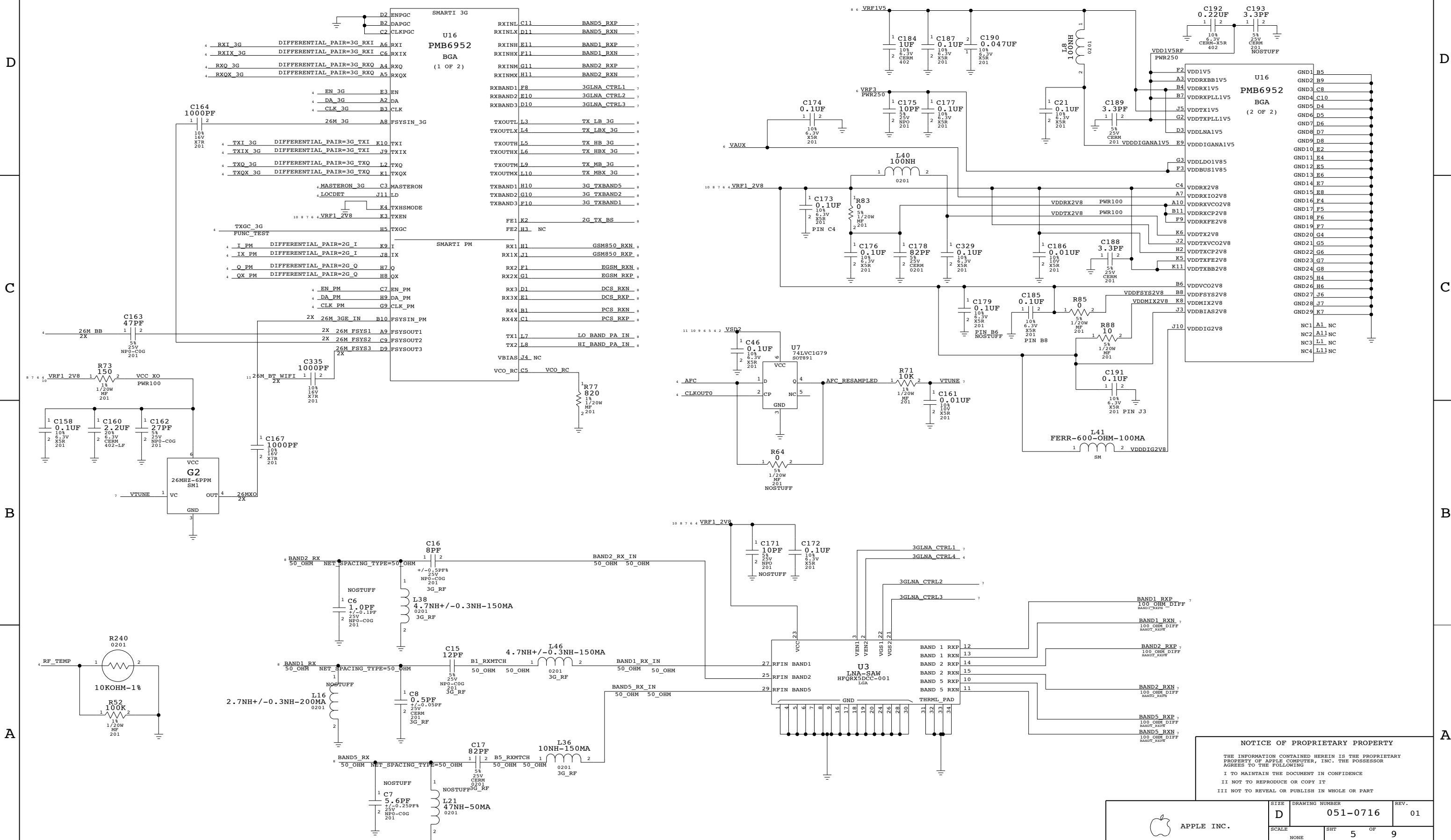


NOTICE OF PROPRIETARY PROPERTY
 THE INFORMATION CONTAINED HEREIN IS THE PROPRIETARY PROPERTY OF APPLE COMPUTER, INC. THE POSSESSOR AGREES TO THE FOLLOWING:
 I TO MAINTAIN THE DOCUMENT IN CONFIDENCE
 II NOT TO REPRODUCE OR COPY IT
 III NOT TO REVEAL OR PUBLISH IN WHOLE OR PART

APPLE INC.	SIZE	DRAWING NUMBER	REV.
	D	051-0716	01
SCALE	NONE	SHT	4 OF 9

GSM & UMTS TRANSCEIVER - SMARTI 3GE

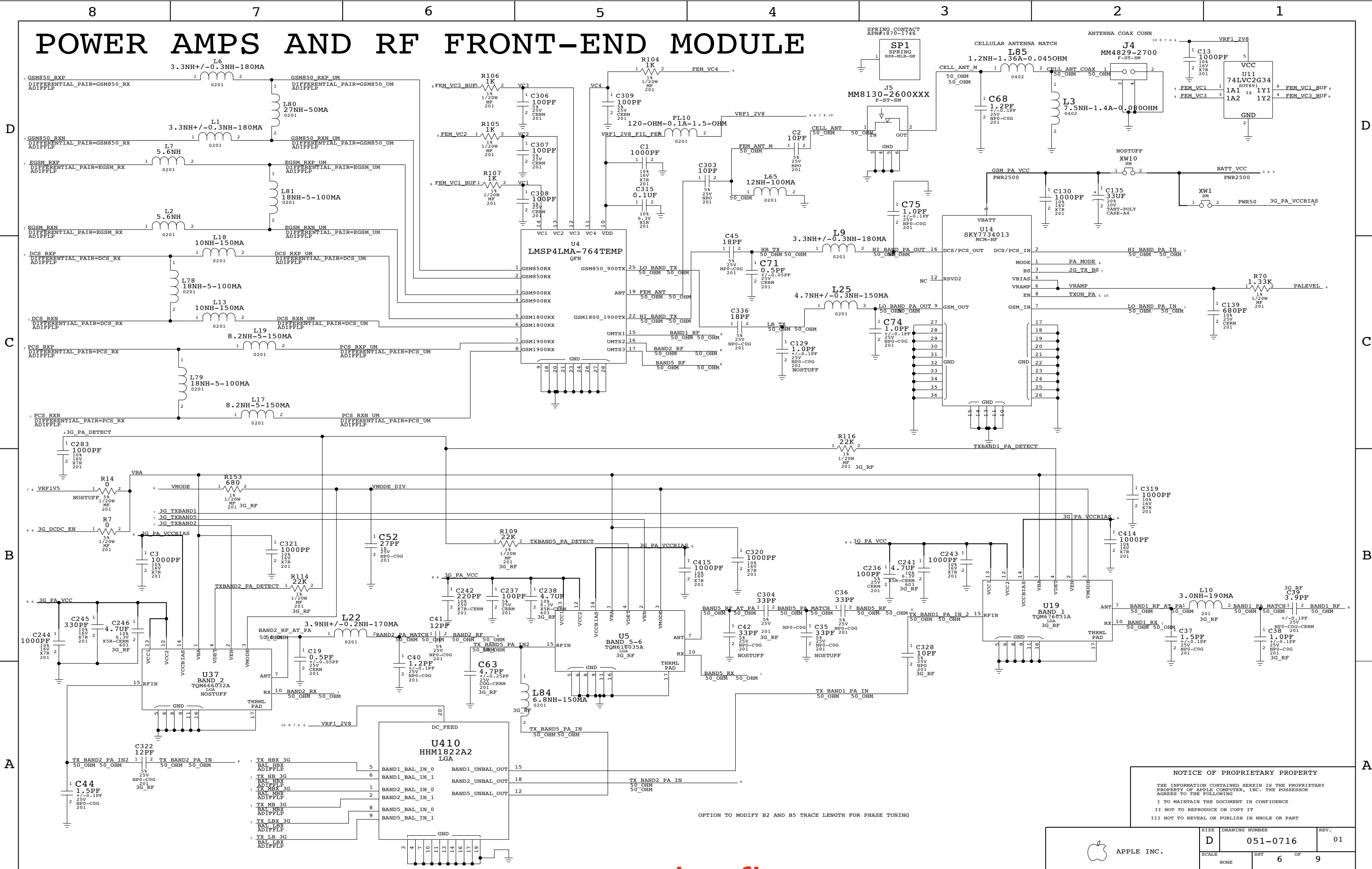
SMARTI3GE SUPPLIES



NOTICE OF PROPRIETARY PROPERTY
 THE INFORMATION CONTAINED HEREIN IS THE PROPRIETARY PROPERTY OF APPLE COMPUTER, INC. THE POSSESSOR AGREES TO THE FOLLOWING:
 I TO MAINTAIN THE DOCUMENT IN CONFIDENCE
 II NOT TO REPRODUCE OR COPY IT
 III NOT TO REVEAL OR PUBLISH IN WHOLE OR PART

APPLE INC.	SIZE	DRAWING NUMBER	REV.
	D	051-0716	01
SCALE	NONE	SHT	5 OF 9

POWER AMPS AND RF FRONT-END MODULE

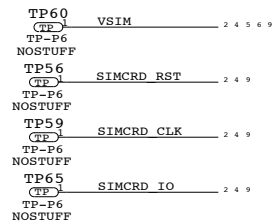
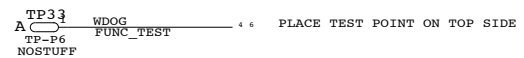
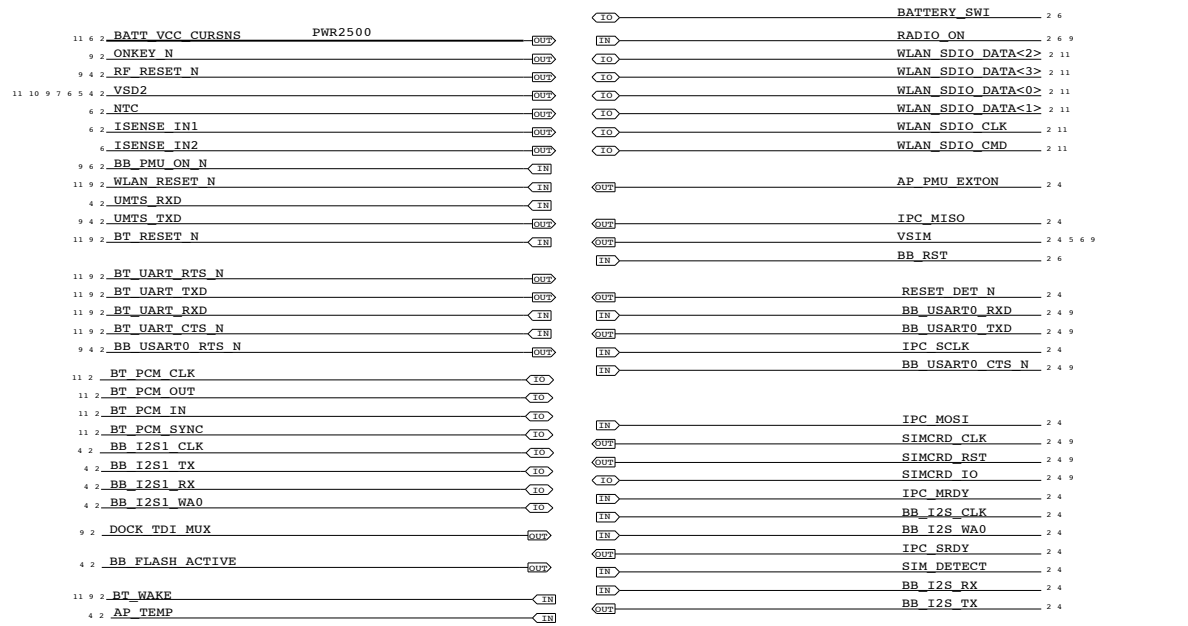


NOTICE OF PROPRIETARY PROPERTY
 THE INFORMATION CONTAINED HEREIN IS THE PROPRIETARY PROPERTY OF APPLE COMPUTER, INC. THE POSSESSOR AGREES TO THE FOLLOWING:
 I TO MAINTAIN THE DOCUMENT IN CONFIDENCE
 II NOT TO REPRODUCE OR COPY IT
 III NOT TO REVEAL OR PUBLISH IN WHOLE OR PART

APPLE INC.	SIZE	D	DRAWING NUMBER	051-0716	REV.	01
	SCALE	NONE	SHT	6	OF	9

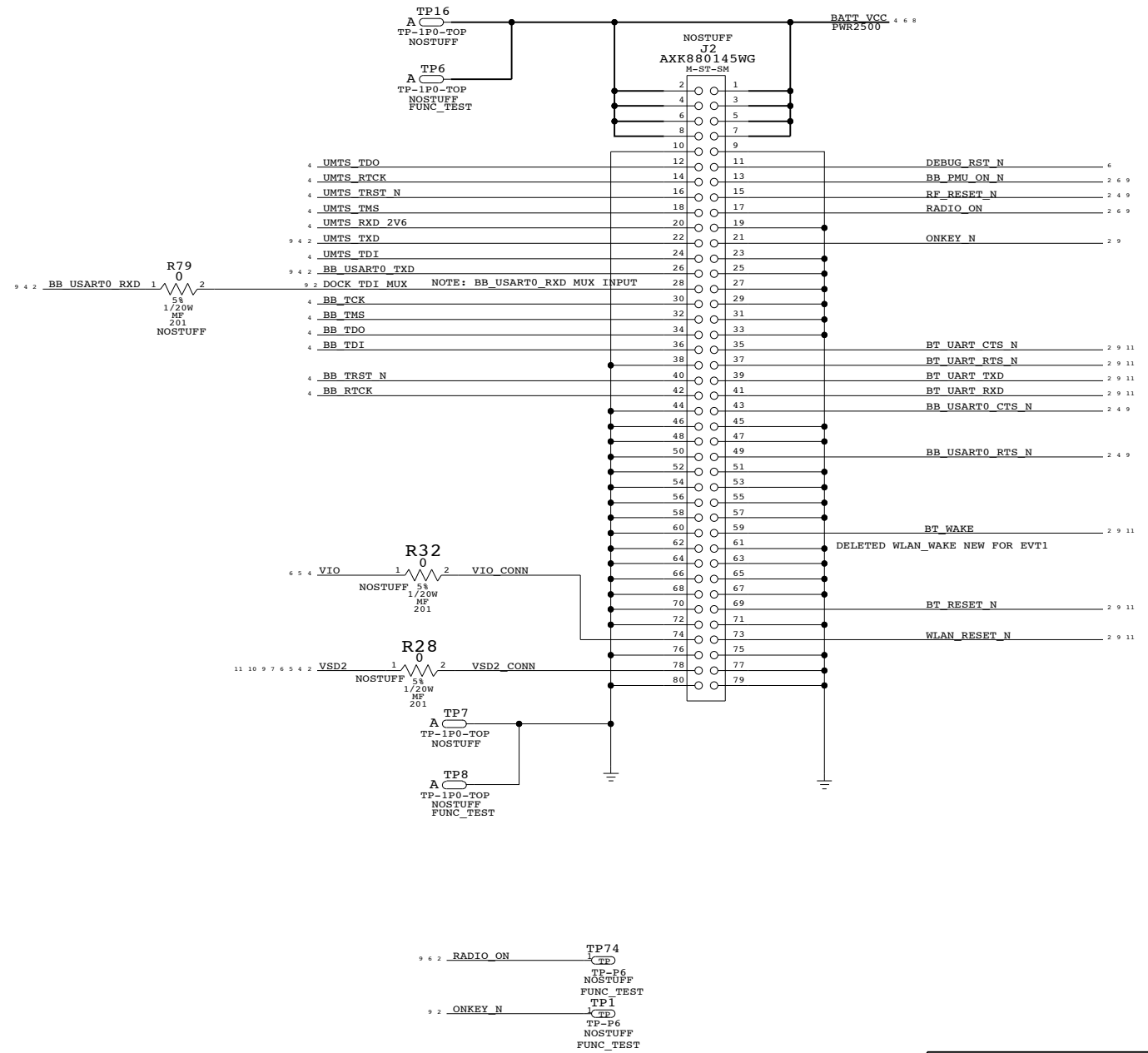
SYSTEM CONNECTORS

AP CONNECTIONS



NOTE: FOR DEBUG FIXTURES WHEN UART MUXES ARE NOSTUFF

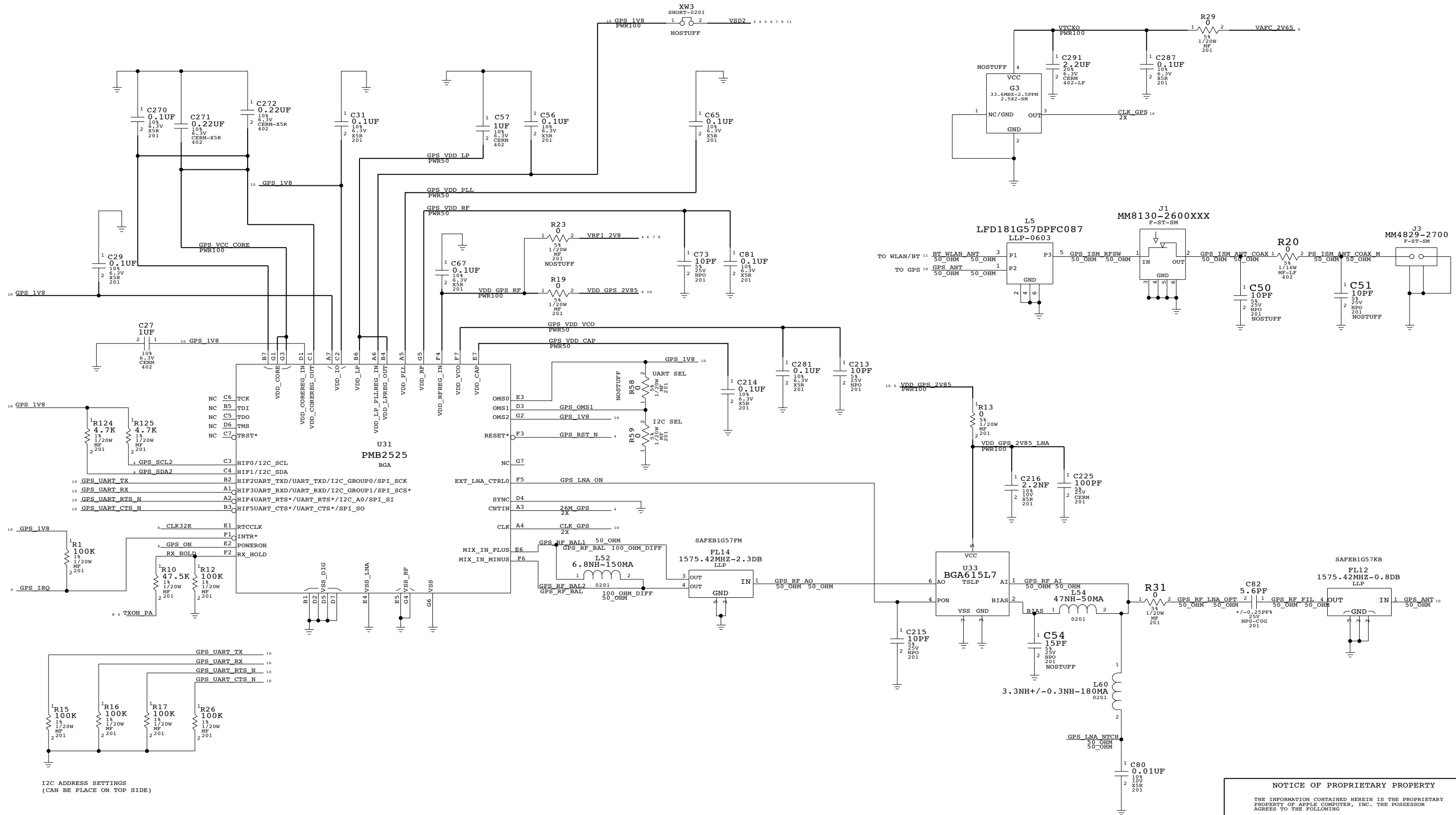
DEBUG CONNECTOR 516S0612



NOTICE OF PROPRIETARY PROPERTY
THE INFORMATION CONTAINED HEREIN IS THE PROPRIETARY PROPERTY OF APPLE COMPUTER, INC. THE POSSESSOR AGREES TO THE FOLLOWING
I TO MAINTAIN THE DOCUMENT IN CONFIDENCE
II NOT TO REPRODUCE OR COPY IT
III NOT TO REVEAL OR PUBLISH IN WHOLE OR PART

APPLE INC.	SIZE	DRAWING NUMBER	REV.
	D	051-0716	01
SCALE	SHT 7 OF 9		
NONE			

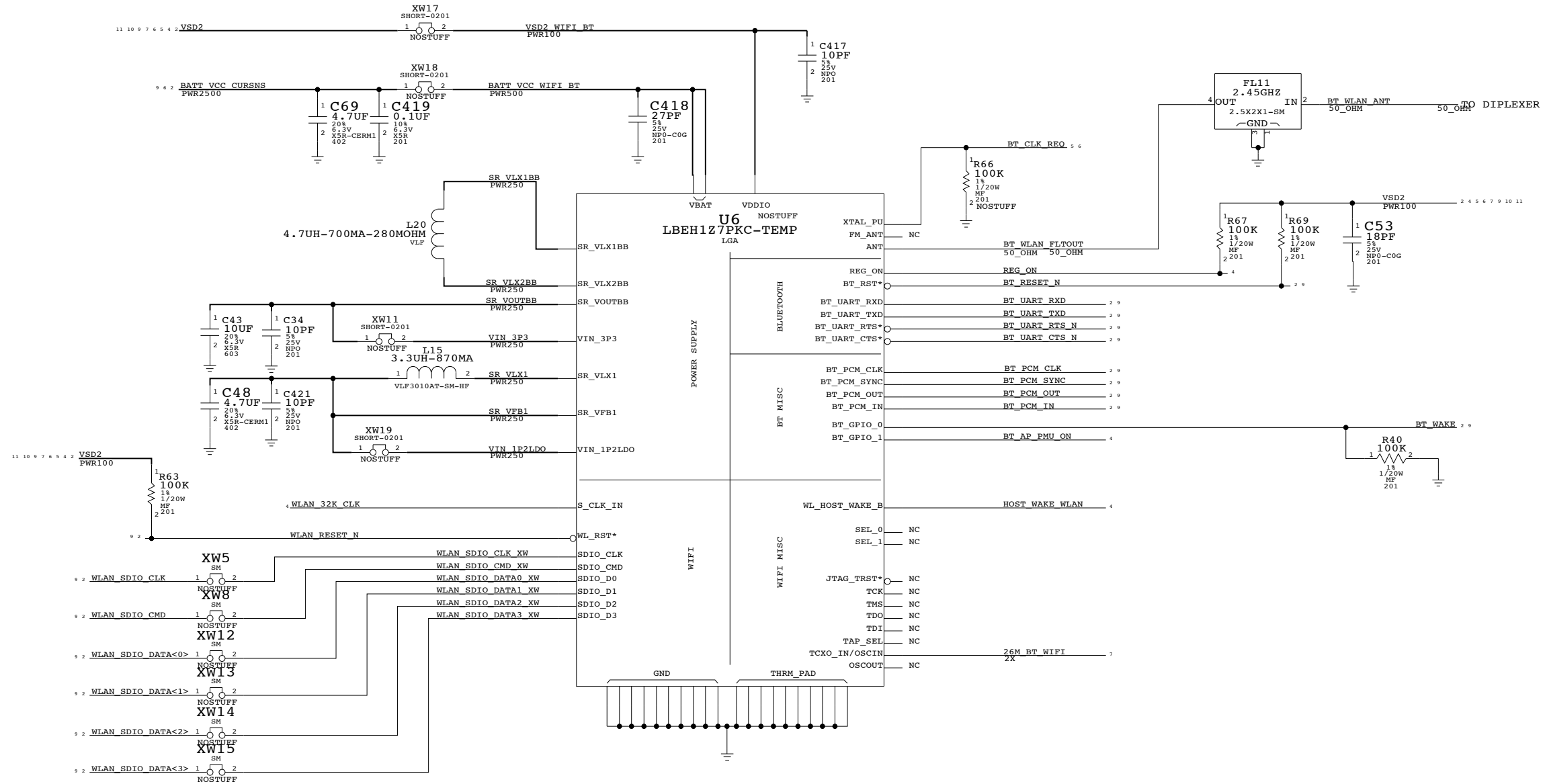
A-GPS



NOTICE OF PROPRIETARY PROPERTY
 THE INFORMATION CONTAINED HEREIN IS THE PROPRIETARY PROPERTY OF APPLE COMPUTER, INC. THE POSSESSOR AGREES TO THE FOLLOWING
 I TO MAINTAIN THE DOCUMENT IN CONFIDENCE
 II NOT TO REPRODUCE OR COPY IT
 III NOT TO REVEAL OR PUBLISH IN WHOLE OR PART

APPLE INC.	SIZE	DRAWING NUMBER	REV.
	D	051-0716	01
SCALE	NONE	SHT	8 OF 9

WLAN RADIO



NOTICE OF PROPRIETARY PROPERTY
 THE INFORMATION CONTAINED HEREIN IS THE PROPRIETARY PROPERTY OF APPLE COMPUTER, INC. THE POSSESSOR AGREES TO THE FOLLOWING
 I TO MAINTAIN THE DOCUMENT IN CONFIDENCE
 II NOT TO REPRODUCE OR COPY IT
 III NOT TO REVEAL OR PUBLISH IN WHOLE OR PART

APPLE INC.	SIZE	DRAWING NUMBER	REV.
	D	951-0716	01
SCALE	SHT 9 OF 9		
NONE			

	8	7	6	5	4	3	2	1
D	Title: Basenet Report Design: radio_mlb Date: Jan 29 18:20:30 2009		BB_ADC_M_8 BB_ADC_M_8 - @radio_mlb.lib.RADIO_MLB 2D7 BB_AGND BB_AGND - @radio_mlb.lib.RADIO_MLB 3A7 BB_AP_PMU_ON BB_AP_PMU_ON - @radio_mlb.lib.RADIO_MLB 2A4 2D5 BB_D7 BB_D7 - @radio_mlb.lib.RADIO_MLB 2A6 BB_FLASH_ACTIVE BB_FLASH_ACTIVE - @radio_mlb.lib.RADIO_MLB 2D5 7B8 BB_I2S1_CLK BB_I2S1_CLK - @radio_mlb.lib.RADIO_MLB 2B5 7C8 BB_I2S1_RX BB_I2S1_RX - @radio_mlb.lib.RADIO_MLB 2B5 7C8 BB_I2S1_TX BB_I2S1_TX - @radio_mlb.lib.RADIO_MLB 2B5 7C8 BB_I2S1_WA0 BB_I2S1_WA0 - @radio_mlb.lib.RADIO_MLB 2B5 7B8 BB_I2S_CLK BB_I2S_CLK - @radio_mlb.lib.RADIO_MLB 2B5 7B5 BB_I2S_RX BB_I2S_RX - @radio_mlb.lib.RADIO_MLB 2B5 7B5 BB_I2S_TX BB_I2S_TX - @radio_mlb.lib.RADIO_MLB 2B5 7B5 BB_I2S_WA0 BB_I2S_WA0 - @radio_mlb.lib.RADIO_MLB 2B5 7B5 BB_IREF BB_IREF - @radio_mlb.lib.RADIO_MLB 3A5 BB_PMU_ON_N BB_PMU_ON_N - @radio_mlb.lib.RADIO_MLB 4C7 7C1 7C8 BB_RST BB_RST - @radio_mlb.lib.RADIO_MLB 4C7 7C5 BB_RST_PMU BB_RST_PMU - @radio_mlb.lib.RADIO_MLB 4C6 BB_RTCK BB_RTCK - @radio_mlb.lib.RADIO_MLB 2B3 7C4 BB_TCK BB_TCK - @radio_mlb.lib.RADIO_MLB 2B3 7C4 BB_TDI BB_TDI - @radio_mlb.lib.RADIO_MLB 2B3 7C4 BB_TDO BB_TDO - @radio_mlb.lib.RADIO_MLB 2B3 7C4 BB_TMS BB_TMS - @radio_mlb.lib.RADIO_MLB 2B3 7C4 BB_TRST_N BB_TRST_N - @radio_mlb.lib.RADIO_MLB 2B3 7C4 BB_USARTO_CTS_N BB_USARTO_CTS_N - @radio_mlb.lib.RADIO_MLB 2A5 2C5 7C1 7C5 BB_USARTO_RTS_N BB_USARTO_RTS_N - @radio_mlb.lib.RADIO_MLB 2A5 7B1 7C8 BB_USARTO_RXD BB_USARTO_RXD - @radio_mlb.lib.RADIO_MLB 2A5 2C5 7C5 7C5 BB_USARTO_TXD BB_USARTO_TXD - @radio_mlb.lib.RADIO_MLB 2A5 7C4 7C5 BB_VC2 BB_VC2 - @radio_mlb.lib.RADIO_MLB 2A7 BB_VREFN BB_VREFN - @radio_mlb.lib.RADIO_MLB 3A5 BB_VREFP BB_VREFP - @radio_mlb.lib.RADIO_MLB 3A5 BIAS BIAS - @radio_mlb.lib.RADIO_MLB 8B3 BOARD_TEMP BOARD_TEMP - @radio_mlb.lib.RADIO_MLB 2D4 2D7 BOARD_TEMP_ADC BOARD_TEMP_ADC - @radio_mlb.lib.RADIO_MLB 2D7 BT_AP_PMU_ON BT_AP_PMU_ON - @radio_mlb.lib.RADIO_MLB 2D5 9C3 BT_CLK_REQ BT_CLK_REQ - @radio_mlb.lib.RADIO_MLB 3A5 4B7 4D4 9C3 BT_CLK_REQ_BB BT_CLK_REQ_BB - @radio_mlb.lib.RADIO_MLB 3A6 BT_PCM_CLK BT_PCM_CLK - @radio_mlb.lib.RADIO_MLB 7C8 9C3 BT_PCM_IN BT_PCM_IN - @radio_mlb.lib.RADIO_MLB 7C8 9C3 BT_PCM_OUT BT_PCM_OUT - @radio_mlb.lib.RADIO_MLB 7C8 9C3 BT_PCM_SYNC BT_PCM_SYNC - @radio_mlb.lib.RADIO_MLB 7C8 9C3 BT_RESET_N BT_RESET_N - @radio_mlb.lib.RADIO_MLB 7B1 7C8 9C2 BT_UART_CTS_N BT_UART_CTS_N - @radio_mlb.lib.RADIO_MLB 7C1 7C8 9C3 BT_UART_RTS_N BT_UART_RTS_N - @radio_mlb.lib.RADIO_MLB 7C1 7C8 9C3 BT_UART_RXD BT_UART_RXD - @radio_mlb.lib.RADIO_MLB 7C1 7C8 9C3 BT_UART_TXD BT_UART_TXD - @radio_mlb.lib.RADIO_MLB 7C1 7C8 9C3 BT_WAKE BT_WAKE - @radio_mlb.lib.RADIO_MLB 7B1 7B8 9C2 BT_WLAN_ANT BT_WLAN_ANT - @radio_mlb.lib.RADIO_MLB 8C3 9D2 BT_WLAN_FLTOUT BT_WLAN_FLTOUT - @radio_mlb.lib.RADIO_MLB 9C4 CELL_ANT CELL_ANT - @radio_mlb.lib.RADIO_MLB 6D4 CELL_ANT_COAX CELL_ANT_COAX - @radio_mlb.lib.RADIO_MLB 6D2 CELL_ANT_M CELL_ANT_M - @radio_mlb.lib.RADIO_MLB 6D3 CFG0 CFG0 - @radio_mlb.lib.RADIO_MLB 2C2 CFG1 CFG1 - @radio_mlb.lib.RADIO_MLB 2C2 CLK32K CLK32K - @radio_mlb.lib.RADIO_MLB 2C3 2C7 8B7 CLKOUT0 CLKOUT0 - @radio_mlb.lib.RADIO_MLB 2C3 2C7 5C5 CLK_3G CLK_3G - @radio_mlb.lib.RADIO_MLB 2C3 5D7 CLK_GPS CLK_GPS - @radio_mlb.lib.RADIO_MLB 8B5 8D2 CLK_PM CLK_PM - @radio_mlb.lib.RADIO_MLB 2C7 5C7 CURRENT_SENSE_SRC CURRENT_SENSE_SRC - @radio_mlb.lib.RADIO_MLB 4B4 DA_3G DA_3G - @radio_mlb.lib.RADIO_MLB 2C3 5D7 DA_PM DA_PM - @radio_mlb.lib.RADIO_MLB 2C7 5C7 DCDC_IN1 DCDC_IN1 - @radio_mlb.lib.RADIO_MLB 4D3 DCDC_IN2 DCDC_IN2 - @radio_mlb.lib.RADIO_MLB 4D3 DCS_RXN DCS_RXN - @radio_mlb.lib.RADIO_MLB 5C5 6C8 DCS_RXN_UM DCS_RXN_UM - @radio_mlb.lib.RADIO_MLB 6C7 DCS_RXP DCS_RXP - @radio_mlb.lib.RADIO_MLB 5C5 6C8 DCS_RXP_UM DCS_RXP_UM - @radio_mlb.lib.RADIO_MLB 6C7 DDR_CLK_N DDR_CLK_N - @radio_mlb.lib.RADIO_MLB 3B1 3B4 DDR_CLK_P DDR_CLK_P - @radio_mlb.lib.RADIO_MLB 3B1 3B4 DDR_DQ<0> DDR_DQ<0> - @radio_mlb.lib.RADIO_MLB 3C1 3D5 DDR_DQ<1> DDR_DQ<1> - @radio_mlb.lib.RADIO_MLB 3C1 3D5 DDR_DQ<2> DDR_DQ<2> - @radio_mlb.lib.RADIO_MLB 3C1 3D5 DDR_DQ<3> DDR_DQ<3> - @radio_mlb.lib.RADIO_MLB 3C1 3D5 DDR_DQ<4> DDR_DQ<4> - @radio_mlb.lib.RADIO_MLB 3C1 3D5 DDR_DQ<5> DDR_DQ<5> - @radio_mlb.lib.RADIO_MLB 3C1 3D5 DDR_DQ<6> DDR_DQ<6> - @radio_mlb.lib.RADIO_MLB 3C1 3D5	DDR_DQ<7> DDR_DQ<7> - @radio_mlb.lib.RADIO_MLB 3C1 3D5 DDR_DQ<8> DDR_DQ<8> - @radio_mlb.lib.RADIO_MLB 3C1 3D5 DDR_DQ<9> DDR_DQ<9> - @radio_mlb.lib.RADIO_MLB 3C1 3D5 DDR_DQ<10> DDR_DQ<10> - @radio_mlb.lib.RADIO_MLB 3C1 3D5 DDR_DQ<11> DDR_DQ<11> - @radio_mlb.lib.RADIO_MLB 3C1 3D5 DDR_DQ<12> DDR_DQ<12> - @radio_mlb.lib.RADIO_MLB 3C1 3D5 DDR_DQ<13> DDR_DQ<13> - @radio_mlb.lib.RADIO_MLB 3C1 3D5 DDR_DQ<14> DDR_DQ<14> - @radio_mlb.lib.RADIO_MLB 3B1 3D5 DDR_DQ<15> DDR_DQ<15> - @radio_mlb.lib.RADIO_MLB 3B1 3D5 DDR_WRP DDR_WRP - @radio_mlb.lib.RADIO_MLB 3B4 DEBUB_RST_N DEBUB_RST_N - @radio_mlb.lib.RADIO_MLB 4C7 7C1 DOCK_TDI_MUX DOCK_TDI_MUX - @radio_mlb.lib.RADIO_MLB 7B6 7B8 7C4 EBU_A<16> EBU_A<16> - @radio_mlb.lib.RADIO_MLB 3D1 3D4 3D5 EBU_A<17> EBU_A<17> - @radio_mlb.lib.RADIO_MLB 3D1 3D4 3D5 EBU_A<18> EBU_A<18> - @radio_mlb.lib.RADIO_MLB 3C5 3D1 3D4 EBU_A<19> EBU_A<19> - @radio_mlb.lib.RADIO_MLB 3C1 3C4 3C5 EBU_A<20> EBU_A<20> - @radio_mlb.lib.RADIO_MLB 3C1 3C4 3C5 EBU_A<21> EBU_A<21> - @radio_mlb.lib.RADIO_MLB 3C1 3C4 3C5 EBU_A<22> EBU_A<22> - @radio_mlb.lib.RADIO_MLB 3C1 3C4 3C5 EBU_A<23> EBU_A<23> - @radio_mlb.lib.RADIO_MLB 3C1 3C4 3C5 EBU_A<24> EBU_A<24> - @radio_mlb.lib.RADIO_MLB 3B4 3C1 3C5 EBU_A<25> EBU_A<25> - @radio_mlb.lib.RADIO_MLB 3C1 3C5 EBU_A<26> EBU_A<26> - @radio_mlb.lib.RADIO_MLB 3C1 3C5 EBU_AD<0> EBU_AD<0> - @radio_mlb.lib.RADIO_MLB 3C4 3C5 EBU_AD<1> EBU_AD<1> - @radio_mlb.lib.RADIO_MLB 3C4 3C5 EBU_AD<2> EBU_AD<2> - @radio_mlb.lib.RADIO_MLB 3C4 3C5 EBU_AD<3> EBU_AD<3> - @radio_mlb.lib.RADIO_MLB 3C4 3C5 EBU_AD<4> EBU_AD<4> - @radio_mlb.lib.RADIO_MLB 3C4 3C5 EBU_AD<5> EBU_AD<5> - @radio_mlb.lib.RADIO_MLB 3C4 3C5 EBU_AD<6> EBU_AD<6> - @radio_mlb.lib.RADIO_MLB 3C4 3C5 EBU_AD<7> EBU_AD<7> - @radio_mlb.lib.RADIO_MLB 3C4 3C5 EBU_AD<8> EBU_AD<8> - @radio_mlb.lib.RADIO_MLB 3C4 3C5 EBU_AD<9> EBU_AD<9> - @radio_mlb.lib.RADIO_MLB 3C4 3C5 EBU_AD<10> EBU_AD<10> - @radio_mlb.lib.RADIO_MLB 3C4 3C5 EBU_AD<11> EBU_AD<11> - @radio_mlb.lib.RADIO_MLB 3C4 3C5 EBU_AD<12> EBU_AD<12> - @radio_mlb.lib.RADIO_MLB 3C4 3C5 EBU_AD<13> EBU_AD<13> - @radio_mlb.lib.RADIO_MLB 3C4 3C5 EBU_AD<14> EBU_AD<14> - @radio_mlb.lib.RADIO_MLB 3C4 3C5 EBU_AD<15> EBU_AD<15> - @radio_mlb.lib.RADIO_MLB 3C4 3C5 EBU_ADV* EBU_ADV* - @radio_mlb.lib.RADIO_MLB 2C2 3B5 3C4 EBU_BC0* EBU_BC0* - @radio_mlb.lib.RADIO_MLB 3B1 3B5 EBU_BC1* EBU_BC1* - @radio_mlb.lib.RADIO_MLB 3B1 3B5 EBU_BC2* EBU_BC2* - @radio_mlb.lib.RADIO_MLB 3B1 3B5 EBU_BC3* EBU_BC3* - @radio_mlb.lib.RADIO_MLB 3B1 3B5 EBU_BFLCKO EBU_BFLCKO - @radio_mlb.lib.RADIO_MLB 2C3 3B6 EBU_BFLCKO2 EBU_BFLCKO2 - @radio_mlb.lib.RADIO_MLB 3B6 EBU_CAS* EBU_CAS* - @radio_mlb.lib.RADIO_MLB 3B1 3B5 EBU_CKE EBU_CKE - @radio_mlb.lib.RADIO_MLB 3B1 3B5 EBU_CSO* EBU_CSO* - @radio_mlb.lib.RADIO_MLB 3B4 3B5 EBU_CS1* EBU_CS1* - @radio_mlb.lib.RADIO_MLB 3B1 3B5 EBU_CS3* EBU_CS3* - @radio_mlb.lib.RADIO_MLB 2C3 3B5 EBU_CSA<0> EBU_CSA<0> - @radio_mlb.lib.RADIO_MLB 3B5 3C1 EBU_CSA<1> EBU_CSA<1> - @radio_mlb.lib.RADIO_MLB 3B5 3C1 EBU_CSA<2> EBU_CSA<2> - @radio_mlb.lib.RADIO_MLB 3B5 3C1 EBU_RAS* EBU_RAS* - @radio_mlb.lib.RADIO_MLB 3B1 3B5 EBU_RD* EBU_RD* - @radio_mlb.lib.RADIO_MLB 2C3 3B4 3B5 EBU_SDCLKO EBU_SDCLKO - @radio_mlb.lib.RADIO_MLB 3B6 EBU_WAIT* EBU_WAIT* - @radio_mlb.lib.RADIO_MLB 2C3 3B4 3B5 EBU_WM* EBU_WM* - @radio_mlb.lib.RADIO_MLB 2C3 3B1 3B4 3B5 EGSN_RXN EGSN_RXN - @radio_mlb.lib.RADIO_MLB 5C5 6D8 EGSN_RXN_UM EGSN_RXN_UM - @radio_mlb.lib.RADIO_MLB 6D7 EGSN_RXP EGSN_RXP - @radio_mlb.lib.RADIO_MLB 5C5 6D8 EGSN_RXP_UM EGSN_RXP_UM - @radio_mlb.lib.RADIO_MLB 6D7 EN_3G EN_3G - @radio_mlb.lib.RADIO_MLB 2C3 5D7 EN_PM EN_PM - @radio_mlb.lib.RADIO_MLB 2C7 5C7 F32K_BB F32K_BB - @radio_mlb.lib.RADIO_MLB 3A5 FEM_ANT FEM_ANT - @radio_mlb.lib.RADIO_MLB 6C5 FEM_ANT_M FEM_ANT_M - @radio_mlb.lib.RADIO_MLB 6D4 FEM_VC1 FEM_VC1 - @radio_mlb.lib.RADIO_MLB 2C7 6D2 FEM_VC1_BUF FEM_VC1_BUF - @radio_mlb.lib.RADIO_MLB 6D1 6D6 FEM_VC2 FEM_VC2 - @radio_mlb.lib.RADIO_MLB 2D8 6D6 FEM_VC3 FEM_VC3 - @radio_mlb.lib.RADIO_MLB 2C7 6D2 FEM_VC3_BUF FEM_VC3_BUF - @radio_mlb.lib.RADIO_MLB 6D1 6D6	FEM_VC4 FEM_VC4 - @radio_mlb.lib.RADIO_MLB 2C1 6D4 F_CLK F_CLK - @radio_mlb.lib.RADIO_MLB 3B5 3C4 F_RESET_N F_RESET_N - @radio_mlb.lib.RADIO_MLB 3B4 GPS_IV8 GPS_IV8 - @radio_mlb.lib.RADIO_MLB 8B5 8B8 8C5 8C7 8C7 8C8 GPS_ANT GPS_ANT - @radio_mlb.lib.RADIO_MLB 8B1 8C3 GPS_IRQ GPS_IRQ - @radio_mlb.lib.RADIO_MLB 2D5 8B8 GPS_ISM_ANT_COAX GPS_ISM_ANT_COAX - @radio_mlb.lib.RADIO_MLB 8C2 GPS_ISM_RFSW GPS_ISM_RFSW - @radio_mlb.lib.RADIO_MLB 8C3 GPS_LNA_NTCH GPS_LNA_NTCH - @radio_mlb.lib.RADIO_MLB 8A3 GPS_LNA_ON GPS_LNA_ON - @radio_mlb.lib.RADIO_MLB 8B5 GPS_OMS1 GPS_OMS1 - @radio_mlb.lib.RADIO_MLB 8C5 GPS_ON GPS_ON - @radio_mlb.lib.RADIO_MLB 2D5 8B7 GPS_RF_AI GPS_RF_AI - @radio_mlb.lib.RADIO_MLB 8B3 GPS_RF_AO GPS_RF_AO - @radio_mlb.lib.RADIO_MLB 8B4 GPS_RF_BAL1 GPS_RF_BAL1 - @radio_mlb.lib.RADIO_MLB 8B5 GPS_RF_BAL2 GPS_RF_BAL2 - @radio_mlb.lib.RADIO_MLB 8B5 GPS_RF_FIL GPS_RF_FIL - @radio_mlb.lib.RADIO_MLB 8B2 GPS_RF_LNA_OPT GPS_RF_LNA_OPT - @radio_mlb.lib.RADIO_MLB 8B2 GPS_RST_N GPS_RST_N - @radio_mlb.lib.RADIO_MLB 2D5 8B5 GPS_SCL2 GPS_SCL2 - @radio_mlb.lib.RADIO_MLB 2A5 8B8 GPS_SDA2 GPS_SDA2 - @radio_mlb.lib.RADIO_MLB 2A5 8B8 GPS_UART_CTS_N GPS_UART_CTS_N - @radio_mlb.lib.RADIO_MLB 8A7 8B8 GPS_UART_RTS_N GPS_UART_RTS_N - @radio_mlb.lib.RADIO_MLB 8A7 8B8 GPS_UART_RX GPS_UART_RX - @radio_mlb.lib.RADIO_MLB 8A7 8B8 GPS_UART_TX GPS_UART_TX - @radio_mlb.lib.RADIO_MLB 8B7 8B8 GPS_VCC_CORE GPS_VCC_CORE - @radio_mlb.lib.RADIO_MLB 8C7 GPS_VDD_CAP GPS_VDD_CAP - @radio_mlb.lib.RADIO_MLB 8C5 GPS_VDD_LP GPS_VDD_LP - @radio_mlb.lib.RADIO_MLB 8D6 GPS_VDD_PLL GPS_VDD_PLL - @radio_mlb.lib.RADIO_MLB 8C6 GPS_VDD_RF GPS_VDD_RF - @radio_mlb.lib.RADIO_MLB 8C6 GPS_VDD_VCO GPS_VDD_VCO - @radio_mlb.lib.RADIO_MLB 8C5 GSM850_RXN GSM850_RXN - @radio_mlb.lib.RADIO_MLB 5C5 6D8 GSM850_RXN_UM GSM850_RXN_UM - @radio_mlb.lib.RADIO_MLB 6D7 GSM850_RXP GSM850_RXP - @radio_mlb.lib.RADIO_MLB 5C5 6D8 GSM850_RXP_UM GSM850_RXP_UM - @radio_mlb.lib.RADIO_MLB 6D7 GSM_PA_VCC GSM_PA_VCC - @radio_mlb.lib.RADIO_MLB 6D3 HB_TX HB_TX - @radio_mlb.lib.RADIO_MLB 6C4 HI_BAND_PA_IN HI_BAND_PA_IN - @radio_mlb.lib.RADIO_MLB 5C5 6C2 HI_BAND_PA_OUT HI_BAND_PA_OUT - @radio_mlb.lib.RADIO_MLB 6C3 HI_BAND_TX HI_BAND_TX - @radio_mlb.lib.RADIO_MLB 6C5 HOST_WAKE_WLAN HOST_WAKE_WLAN - @radio_mlb.lib.RADIO_MLB 2D5 9B3 IPC_MISO IPC_MISO - @radio_mlb.lib.RADIO_MLB 2A5 7C5 IPC_MOSI IPC_MOSI - @radio_mlb.lib.RADIO_MLB 2A5 2C5 7C5 IPC_MRDY IPC_MRDY - @radio_mlb.lib.RADIO_MLB 2A5 2A7 7B5 IPC_SCLK IPC_SCLK - @radio_mlb.lib.RADIO_MLB 2A5 2C5 7C5 IPC_SRDY IPC_SRDY - @radio_mlb.lib.RADIO_MLB 2B5 7B5 ISENSE_IN1 ISENSE_IN1 - @radio_mlb.lib.RADIO_MLB 4B3 4D7 7C8 ISENSE_IN2 ISENSE_IN2 - @radio_mlb.lib.RADIO_MLB 4B3 4D6 7C8 IX_PM IX_PM - @radio_mlb.lib.RADIO_MLB 2D7 5C7 I_PM I_PM - @radio_mlb.lib.RADIO_MLB 2D7 5C7 LB_TX LB_TX - @radio_mlb.lib.RADIO_MLB 6C4 LOAD LOAD - @radio_mlb.lib.RADIO_MLB 2D7 4A2 LOCDET LOCDET - @radio_mlb.lib.RADIO_MLB 2C1 5C7 LO_BAND_PA_IN LO_BAND_PA_IN - @radio_mlb.lib.RADIO_MLB 5C5 6C2 LO_BAND_PA_OUT LO_BAND_PA_OUT - @radio_mlb.lib.RADIO_MLB 6C3 LO_BAND_TX LO_BAND_TX - @radio_mlb.lib.RADIO_MLB 6C5 MASTERON_3G MASTERON_3G - @radio_mlb.lib.RADIO_MLB 2C1 5C7 N88_ID N88_ID - @radio_mlb.lib.RADIO_MLB 2A6 NTC NTC - @radio_mlb.lib.RADIO_MLB 4C8 7C8 NTC_CONN NTC_CONN - @radio_mlb.lib.RADIO_MLB 4C7 4D8 ONKEY_N ONKEY_N - @radio_mlb.lib.RADIO_MLB 7A3 7C1 7C8 ONOFF1* ONOFF1* - @radio_mlb.lib.RADIO_MLB 4B5 OSC32K OSC32K - @radio_mlb.lib.RADIO_MLB 3A5 OSC32K_GND OSC32K_GND - @radio_mlb.lib.RADIO_MLB 3A4 PALEVEL PALEVEL - @radio_mlb.lib.RADIO_MLB 2D7 6C1 PA_MODE PA_MODE - @radio_mlb.lib.RADIO_MLB 2C7 6C2 PCS_RXN PCS_RXN - @radio_mlb.lib.RADIO_MLB 5C5 6C8 PCS_RXN_UM PCS_RXN_UM - @radio_mlb.lib.RADIO_MLB 6C7 PCS_RXP PCS_RXP - @radio_mlb.lib.RADIO_MLB 5C5 6C8 PCS_RXP_UM PCS_RXP_UM - @radio_mlb.lib.RADIO_MLB 6C7 PM_INT PM_INT - @radio_mlb.lib.RADIO_MLB 2B5 4B7 PM_SCL1 PM_SCL1 - @radio_mlb.lib.RADIO_MLB 2B5 4C7 PM_SDA1 PM_SDA1 - @radio_mlb.lib.RADIO_MLB 2B5 4C7 PM_VCKOEN PM_VCKOEN - @radio_mlb.lib.RADIO_MLB 3A5 3B4 3B5 4B7 4D4 PS_ISM_ANT_COAX_M PS_ISM_ANT_COAX_M - @radio_mlb.lib.RADIO_MLB 8C1 QX_PM QX_PM - @radio_mlb.lib.RADIO_MLB 2D7 5C7 Q_PM Q_PM - @radio_mlb.lib.RADIO_MLB 2D7 5C7 RADIO_ON RADIO_ON - @radio_mlb.lib.RADIO_MLB 4B7 7A3 7C1 7C5 REFBP REFBP - @radio_mlb.lib.RADIO_MLB 4D3 REFIN REFIN - @radio_mlb.lib.RADIO_MLB 4D4 REG_ON REG_ON - @radio_mlb.lib.RADIO_MLB 2D5 9C3	B		
	C							
A	B1_RXMTCH B1_RXMTCH - @radio_mlb.lib.RADIO_MLB 5A6 B5_RXMTCH B5_RXMTCH - @radio_mlb.lib.RADIO_MLB 5A6 BAND1_PA_MATCH BAND1_PA_MATCH - @radio_mlb.lib.RADIO_MLB 6B1 BAND1_RF BAND1_RF - @radio_mlb.lib.RADIO_MLB 6B1 6C4 BAND1_RF_AT_PA BAND1_RF_AT_PA - @radio_mlb.lib.RADIO_MLB 6B2 BAND1_RX BAND1_RX - @radio_mlb.lib.RADIO_MLB 5A7 6B2 BAND1_RXN BAND1_RXN - @radio_mlb.lib.RADIO_MLB 5B2 5D5 BAND1_RXP BAND1_RXP - @radio_mlb.lib.RADIO_MLB 5B2 5D5 BAND1_RX_IN BAND1_RX_IN - @radio_mlb.lib.RADIO_MLB 5A5 BAND2_PA_MATCH BAND2_PA_MATCH - @radio_mlb.lib.RADIO_MLB 6B6 BAND2_RF BAND2_RF - @radio_mlb.lib.RADIO_MLB 6B6 6C4 BAND2_RF_AT_PA BAND2_RF_AT_PA - @radio_mlb.lib.RADIO_MLB 6B7 BAND2_RX BAND2_RX - @radio_mlb.lib.RADIO_MLB 5B7 6A7 BAND2_RXN BAND2_RXN - @radio_mlb.lib.RADIO_MLB 5A2 5D5 BAND2_RXP BAND2_RXP - @radio_mlb.lib.RADIO_MLB 5A2 5D5 BAND2_RX_IN BAND2_RX_IN - @radio_mlb.lib.RADIO_MLB 5B5 BANDS_PA_MATCH BANDS_PA_MATCH - @radio_mlb.lib.RADIO_MLB 6B4 BANDS_RF BANDS_RF - @radio_mlb.lib.RADIO_MLB 6B3 6C4 BANDS_RF_AT_PA BANDS_RF_AT_PA - @radio_mlb.lib.RADIO_MLB 6B4 BANDS_RX BANDS_RX - @radio_mlb.lib.RADIO_MLB 5A7 6A4 BANDS_RXN BANDS_RXN - @radio_mlb.lib.RADIO_MLB 5A2 5D5 BANDS_RXP BANDS_RXP - @radio_mlb.lib.RADIO_MLB 5A2 5D5 BANDS_RX_IN BANDS_RX_IN - @radio_mlb.lib.RADIO_MLB 5A5 BATTERY_SWI BATTERY_SWI - @radio_mlb.lib.RADIO_MLB 4C8 7C5 BATT_TEMP BATT_TEMP - @radio_mlb.lib.RADIO_MLB 2D7 4C8 BATT_TEMP_CONN BATT_TEMP_CONN - @radio_mlb.lib.RADIO_MLB 4C7 4D7 BATT_VCC BATT_VCC - @radio_mlb.lib.RADIO_MLB 2D8 4D7 4D8 6D1 7D2 BATT_VCC_ADC BATT_VCC_ADC - @radio_mlb.lib.RADIO_MLB 2D8 BATT_VCC_CURSNS BATT_VCC_CURSNS - @radio_mlb.lib.RADIO_MLB 4C4 4D2 4D7 7C8 9D7 BATT_VCC_WIFI_BT BATT_VCC_WIFI_BT - @radio_mlb.lib.RADIO_MLB 9D6 BB1_D0 BB1_D0 - @radio_mlb.lib.RADIO_MLB 2A6 BB2_D1 BB2_D1 - @radio_mlb.lib.RADIO_MLB 2A6 BB3_D2 BB3_D2 - @radio_mlb.lib.RADIO_MLB 2A6 BB4_D3 BB4_D3 - @radio_mlb.lib.RADIO_MLB 2A6 BB6_D5 BB6_D5 - @radio_mlb.lib.RADIO_MLB 2A6 BB7_D6 BB7_D6 - @radio_mlb.lib.RADIO_MLB 2A6 BB_ADC_M_7 BB_ADC_M_7 - @radio_mlb.lib.RADIO_MLB 2D7	BB_ADC_M_8 BB_ADC_M_8 - @radio_mlb.lib.RADIO_MLB 2D7 BB_AGND BB_AGND - @radio_mlb.lib.RADIO_MLB 3A7 BB_AP_PMU_ON BB_AP_PMU_ON - @radio_mlb.lib.RADIO_MLB 2A4 2D5 BB_D7 BB_D7 - @radio_mlb.lib.RADIO_MLB 2A6 BB_FLASH_ACTIVE BB_FLASH_ACTIVE - @radio_mlb.lib.RADIO_MLB 2D5 7B8 BB_I2S1_CLK BB_I2S1_CLK - @radio_mlb.lib.RADIO_MLB 2B5 7C8 BB_I2S1_RX BB_I2S1_RX - @radio_mlb.lib.RADIO_MLB 2B5 7C8 BB_I2S1_TX BB_I2S1_TX - @radio_mlb.lib.RADIO_MLB 2B5 7C8 BB_I2S1_WA0 BB_I2S1_WA0 - @radio_mlb.lib.RADIO_MLB 2B5 7B8 BB_I2S_CLK BB_I2S_CLK - @radio_mlb.lib.RADIO_MLB 2B5 7B5 BB_I2S_RX BB_I2S_RX - @radio_mlb.lib.RADIO_MLB 2B5 7B5 BB_I2S_TX BB_I2S_TX - @radio_mlb.lib.RADIO_MLB 2B5 7B5 BB_I2S_WA0 BB_I2S_WA0 - @radio_mlb.lib.RADIO_MLB 2B5 7B5 BB_IREF BB_IREF - @radio_mlb.lib.RADIO_MLB 3A5 BB_PMU_ON_N BB_PMU_ON_N - @radio_mlb.lib.RADIO_MLB 4C7 7C1 7C8 BB_RST BB_RST - @radio_mlb.lib.RADIO_MLB 4C7 7C5 BB_RST_PMU BB_RST_PMU - @radio_mlb.lib.RADIO_MLB 4C6 BB_RTCK BB_RTCK - @radio_mlb.lib.RADIO_MLB 2B3 7C4 BB_TCK BB_TCK - @radio_mlb.lib.RADIO_MLB 2B3 7C4 BB_TDI BB_TDI - @radio_mlb.lib.RADIO_MLB 2B3 7C4 BB_TDO BB_TDO - @radio_mlb.lib.RADIO_MLB 2B3 7C4 BB_TMS BB_TMS - @radio_mlb.lib.RADIO_MLB 2B3 7C4 BB_TRST_N BB_TRST_N - @radio_mlb.lib.RADIO_MLB 2B3 7C4 BB_USARTO_CTS_N BB_USARTO_CTS_N - @radio_mlb.lib.RADIO_MLB 2A5 2C5 7C1 7C5 BB_USARTO_RTS_N BB_USARTO_RTS_N - @radio_mlb.lib.RADIO_MLB 2A5 7B1 7C8 BB_USARTO_RXD BB_USARTO_RXD - @radio_mlb.lib.RADIO_MLB 2A5 2C5 7C5 7C5 BB_USARTO_TXD BB_USARTO_TXD - @radio_mlb.lib.RADIO_MLB 2A5 7C4 7C5 BB_VC2 BB_VC2 - @radio_mlb.lib.RADIO_MLB 2A7 BB_VREFN BB_VREFN - @radio_mlb.lib.RADIO_MLB 3A5 BB_VREFP BB_VREFP - @radio_mlb.lib.RADIO_MLB 3A5 BIAS BIAS - @radio_mlb.lib.RADIO_MLB 8B3 BOARD_TEMP BOARD_TEMP - @radio_mlb.lib.RADIO_MLB 2D4 2D7 BOARD_TEMP_ADC BOARD_TEMP_ADC - @radio_mlb.lib.RADIO_MLB 2D7 BT_AP_PMU_ON BT_AP_PMU_ON - @radio_mlb.lib.RADIO_MLB 2D5 9C3 BT_CLK_REQ BT_CLK_REQ - @radio_mlb.lib.RADIO_MLB 3A5 4B7 4D4 9C3 BT_CLK_REQ_BB BT_CLK_REQ_BB - @radio_mlb.lib.RADIO_MLB 3A6 BT_PCM_CLK BT_PCM_CLK - @radio_mlb.lib.RADIO_MLB 7C8 9C3 BT_PCM_IN BT_PCM_IN - @radio_mlb.lib.RADIO_MLB 7C8 9C3 BT_PCM_OUT BT_PCM_OUT - @radio_mlb.lib.RADIO_MLB 7C8 9C3 BT_PCM_SYNC BT_PCM_SYNC - @radio_mlb.lib.RADIO_MLB 7C8 9C3 BT_RESET_N BT_RESET_N - @radio_mlb.lib.RADIO_MLB 7B1 7C8 9C2 BT_UART_CTS_N BT_UART_CTS_N - @radio_mlb.lib.RADIO_MLB 7C1 7C8 9C3 BT_UART_RTS_N BT_UART_RTS_N - @radio_mlb.lib.RADIO_MLB 7C1 7C8 9C3 BT_UART_RXD BT_UART_RXD - @radio_mlb.lib.RADIO_MLB 7C1 7C8 9C3 BT_UART_TXD BT_UART_TXD - @radio_mlb.lib.RADIO_MLB 7C1 7C8 9C3 BT_WAKE BT_WAKE - @radio_mlb.lib.RADIO_MLB 7B1 7B8 9C2 BT_WLAN_ANT BT_WLAN_ANT - @radio_mlb.lib.RADIO_MLB 8C3 9D2 BT_WLAN_FLTOUT BT_WLAN_FLTOUT - @radio_mlb.lib.RADIO_MLB 9C4 CELL_ANT CELL_ANT - @radio_mlb.lib.RADIO_MLB 6D4 CELL_ANT_COAX CELL_ANT_COAX - @radio_mlb.lib.RADIO_MLB 6D2 CELL_ANT_M CELL_ANT_M - @radio_mlb.lib.RADIO_MLB 6D3 CFG0 CFG0 - @radio_mlb.lib.RADIO_MLB 2C2 CFG1 CFG1 - @radio_mlb.lib.RADIO_MLB 2C2 CLK32K CLK32K - @radio_mlb.lib.RADIO_MLB 2C3 2C7 8B7 CLKOUT0 CLKOUT0 - @radio_mlb.lib.RADIO_MLB 2C3 2C7 5C5 CLK_3G CLK_3G - @radio_mlb.lib.RADIO_MLB 2C3 5D7 CLK_GPS CLK_GPS - @radio_mlb.lib.RADIO_MLB 8B5 8D2 CLK_PM CLK_PM - @radio_mlb.lib.RADIO_MLB 2C7 5C7 CURRENT_SENSE_SRC CURRENT_SENSE_SRC - @radio_mlb.lib.RADIO_MLB 4B4 DA_3G DA_3G - @radio_mlb.lib.RADIO_MLB 2C3 5D7 DA_PM DA_PM - @radio_mlb.lib.RADIO_MLB 2C7 5C7 DCDC_IN1 DCDC_IN1 - @radio_mlb.lib.RADIO_MLB 4D3 DCDC_IN2 DCDC_IN2 - @radio_mlb.lib.RADIO_MLB 4D3 DCS_RXN DCS_RXN - @radio_mlb.lib.RADIO_MLB 5C5 6C8 DCS_RXN_UM DCS_RXN_UM - @radio_mlb.lib.RADIO_MLB 6C7 DCS_RXP DCS_RXP - @radio_mlb.lib.RADIO_MLB 5C5 6C8 DCS_RXP_UM DCS_RXP_UM - @radio_mlb.lib.RADIO_MLB 6C7 DDR_CLK_N DDR_CLK_N - @radio_mlb.lib.RADIO_MLB 3B1 3B4 DDR_CLK_P DDR_CLK_P - @radio_mlb.lib.RADIO_MLB 3B1 3B4 DDR_DQ<0> DDR_DQ<0> - @radio_mlb.lib.RADIO_MLB 3C1 3D5 DDR_DQ<1> DDR_DQ<1> - @radio_mlb.lib.RADIO_MLB 3C1 3D5 DDR_DQ<2> DDR_DQ<2> - @radio_mlb.lib.RADIO_MLB 3C1 3D5 DDR_DQ<3> DDR_DQ<3> - @radio_mlb.lib.RADIO_MLB 3C1 3D5 DDR_DQ<4> DDR_DQ<4> - @radio_mlb.lib.RADIO_MLB 3C1 3D5 DDR_DQ<5> DDR_DQ<5> - @radio_mlb.lib.RADIO_MLB 3C1 3D5 DDR_DQ<6> DDR_DQ<6> - @radio_mlb.lib.RADIO_MLB 3C1 3D5	DDR_DQ<7> DDR_DQ<7> - @radio_mlb.lib.RADIO_MLB 3C1 3D5 DDR_DQ<8> DDR_DQ<8> - @radio_mlb.lib.RADIO_MLB 3C1 3D5 DDR_DQ<9> DDR_DQ<					

	8	7	6	5	4	3	2	1	
D	RESET_DET_N	RESET_DET_N - @radio_mlb_lib.RADIO_MLB	2D5 7C5	VPLL	VPLL - @radio_mlb_lib.RADIO_MLB	3B8 4B1			D
	RESET_N	RESET_N - @radio_mlb_lib.RADIO_MLB	3A5 3B5 4B7	VRAMP	VRAMP - @radio_mlb_lib.RADIO_MLB	6C2			
	RF_RESET_N	RF_RESET_N - @radio_mlb_lib.RADIO_MLB	2D1 7C1 7C8	VREF	VREF - @radio_mlb_lib.RADIO_MLB	4C4			
	RF_TEMP	RF_TEMP - @radio_mlb_lib.RADIO_MLB	2D7 5A8	VRF1V5	VRF1V5 - @radio_mlb_lib.RADIO_MLB	4B1 5D4 6B8			
	RREF	RREF - @radio_mlb_lib.RADIO_MLB	4C4	VRF1_2V8	VRF1_2V8 - @radio_mlb_lib.RADIO_MLB	2D8 4D1 5B5 5C4 5C7 5C8 6A7 6D2 6D4 8C5			
	RKX1_3G	RKX1_3G - @radio_mlb_lib.RADIO_MLB	2D3 5D7	VRF1_2V8_BUCK	VRF1_2V8_BUCK - @radio_mlb_lib.RADIO_MLB	4D2			
	RKX2_3G	RKX2_3G - @radio_mlb_lib.RADIO_MLB	2D3 5D7	VRF1_2V8_BUCK_OUT	VRF1_2V8_BUCK_OUT - @radio_mlb_lib.RADIO_MLB	4D3			
	RKX3_3G	RKX3_3G - @radio_mlb_lib.RADIO_MLB	2C3 5D7	VRF1_2V8_FIL_FEM	VRF1_2V8_FIL_FEM - @radio_mlb_lib.RADIO_MLB	6D5			
	RKX4_3G	RKX4_3G - @radio_mlb_lib.RADIO_MLB	2C3 5D7	VRF1_LDO_OUT	VRF1_LDO_OUT - @radio_mlb_lib.RADIO_MLB	4D3			
	RX_HOLD	RX_HOLD - @radio_mlb_lib.RADIO_MLB	8B7	VRF1_SRC	VRF1_SRC - @radio_mlb_lib.RADIO_MLB	4B3			
	SD1_OUT	SD1_OUT - @radio_mlb_lib.RADIO_MLB	4B7	VRF3	VRF3 - @radio_mlb_lib.RADIO_MLB	4B1 5D4			
	SD2_OUT	SD2_OUT - @radio_mlb_lib.RADIO_MLB	4B6	VRTC	VRTC - @radio_mlb_lib.RADIO_MLB	3B8 4A6			
	SIMCRD_CLK	SIMCRD_CLK - @radio_mlb_lib.RADIO_MLB	2B7 7A5 7C5	VSD1	VSD1 - @radio_mlb_lib.RADIO_MLB	2B3 3D8 4B8			
	SIMCRD_IO	SIMCRD_IO - @radio_mlb_lib.RADIO_MLB	2B7 7A5 7C5	VSD2	VSD2 - @radio_mlb_lib.RADIO_MLB	2A3 2B7 2C8 3C8 3D4 4B8 4C4 5C5 7B4 7C8 8D4			
	SIMCRD_RST	SIMCRD_RST - @radio_mlb_lib.RADIO_MLB	2B7 7A5 7C5	VSD2_CONN	VSD2_CONN - @radio_mlb_lib.RADIO_MLB	7B3			
	SIM_DETECT	SIM_DETECT - @radio_mlb_lib.RADIO_MLB	2C8 7A5 7B5	VSD2_WIFI_BT	VSD2_WIFI_BT - @radio_mlb_lib.RADIO_MLB	9D5			
	SR_VFB1	SR_VFB1 - @radio_mlb_lib.RADIO_MLB	9C5	VSIM	VSIM - @radio_mlb_lib.RADIO_MLB	2C7 3B8 4B2 7B5 7C5			
	SR_VLX1	SR_VLX1 - @radio_mlb_lib.RADIO_MLB	9C6	VTCXO	VTCXO - @radio_mlb_lib.RADIO_MLB	8D3			
	SR_VLX1BB	SR_VLX1BB - @radio_mlb_lib.RADIO_MLB	9C6	VTUNE	VTUNE - @radio_mlb_lib.RADIO_MLB	5B8 5C3			
	SR_VLX2BB	SR_VLX2BB - @radio_mlb_lib.RADIO_MLB	9C6	V_MEMORY	V_MEMORY - @radio_mlb_lib.RADIO_MLB	3C5 3D1			
	SR_VOUTBB	SR_VOUTBB - @radio_mlb_lib.RADIO_MLB	9C6	WDOG	WDOG - @radio_mlb_lib.RADIO_MLB	2C7 4B7 7A6			
	TRIG_IN	TRIG_IN - @radio_mlb_lib.RADIO_MLB	2B7	WLAN_32K_CLK	WLAN_32K_CLK - @radio_mlb_lib.RADIO_MLB	2C8 9B6			
	TXBAND1_PA_DETECT	TXBAND1_PA_DETECT - @radio_mlb_lib.RADIO_MLB	6C3	WLAN_RESET_N	WLAN_RESET_N - @radio_mlb_lib.RADIO_MLB	7B1 7C8 9B7			
	TXBAND2_PA_DETECT	TXBAND2_PA_DETECT - @radio_mlb_lib.RADIO_MLB	6B7	WLAN_SDIO_CLK	WLAN_SDIO_CLK - @radio_mlb_lib.RADIO_MLB	7C5 9B7			
	TXBAND5_PA_DETECT	TXBAND5_PA_DETECT - @radio_mlb_lib.RADIO_MLB	6B5	WLAN_SDIO_CLK_XW	WLAN_SDIO_CLK_XW - @radio_mlb_lib.RADIO_MLB	9B6			
	TXOC_3G	TXOC_3G - @radio_mlb_lib.RADIO_MLB	2C3 5C7	WLAN_SDIO_CMD	WLAN_SDIO_CMD - @radio_mlb_lib.RADIO_MLB	7C5 9B7			
	TXIX_3G	TXIX_3G - @radio_mlb_lib.RADIO_MLB	2C3 5D7	WLAN_SDIO_CMD_XW	WLAN_SDIO_CMD_XW - @radio_mlb_lib.RADIO_MLB	9B6			
	TXI_3G	TXI_3G - @radio_mlb_lib.RADIO_MLB	2C3 5D7	WLAN_SDIO_DATA0_XW	WLAN_SDIO_DATA0_XW - @radio_mlb_lib.RADIO_MLB	9B6			
	TXON_PA	TXON_PA - @radio_mlb_lib.RADIO_MLB	2D7 6C2 8B8	WLAN_SDIO_DATA1_XW	WLAN_SDIO_DATA1_XW - @radio_mlb_lib.RADIO_MLB	9B6			
	TXOX_3G	TXOX_3G - @radio_mlb_lib.RADIO_MLB	2C3 5C7	WLAN_SDIO_DATA2_XW	WLAN_SDIO_DATA2_XW - @radio_mlb_lib.RADIO_MLB	9B6			
	TXO_3G	TXO_3G - @radio_mlb_lib.RADIO_MLB	2C3 5D7	WLAN_SDIO_DATA3_XW	WLAN_SDIO_DATA3_XW - @radio_mlb_lib.RADIO_MLB	9B6			
	TX_BAND1_PA_IN	TX_BAND1_PA_IN - @radio_mlb_lib.RADIO_MLB	6A4	WLAN_SDIO_DATA<0>	WLAN_SDIO_DATA<0> - @radio_mlb_lib.RADIO_MLB	7C5 9B7			
TX_BAND1_PA_IN_2	TX_BAND1_PA_IN_2 - @radio_mlb_lib.RADIO_MLB	6B3	WLAN_SDIO_DATA<1>	WLAN_SDIO_DATA<1> - @radio_mlb_lib.RADIO_MLB	7C5 9B7				
TX_BAND2_PA_IN	TX_BAND2_PA_IN - @radio_mlb_lib.RADIO_MLB	6A4 6A7	WLAN_SDIO_DATA<2>	WLAN_SDIO_DATA<2> - @radio_mlb_lib.RADIO_MLB	7C5 9B7				
TX_BAND2_PA_IN2	TX_BAND2_PA_IN2 - @radio_mlb_lib.RADIO_MLB	6A8	WLAN_SDIO_DATA<3>	WLAN_SDIO_DATA<3> - @radio_mlb_lib.RADIO_MLB	7C5 9B7				
TX_BAND5_PA_IN	TX_BAND5_PA_IN - @radio_mlb_lib.RADIO_MLB	6A5							
TX_BAND5_PA_IN2	TX_BAND5_PA_IN2 - @radio_mlb_lib.RADIO_MLB	6B6							
TX_HBX_3G	TX_HBX_3G - @radio_mlb_lib.RADIO_MLB	5D5 6A7							
TX_HB_3G	TX_HB_3G - @radio_mlb_lib.RADIO_MLB	5D5 6A7							
TX_LBX_3G	TX_LBX_3G - @radio_mlb_lib.RADIO_MLB	5D5 6A7							
TX_LB_3G	TX_LB_3G - @radio_mlb_lib.RADIO_MLB	5D5 6A7							
TX_MBX_3G	TX_MBX_3G - @radio_mlb_lib.RADIO_MLB	5C5 6A7							
TX_MB_3G	TX_MB_3G - @radio_mlb_lib.RADIO_MLB	5D5 6A7							
UMTS_RSTN	UMTS_RSTN - @radio_mlb_lib.RADIO_MLB	2D3 2D5							
UMTS_RTCK	UMTS_RTCK - @radio_mlb_lib.RADIO_MLB	2B3 7C4							
UMTS_RXD	UMTS_RXD - @radio_mlb_lib.RADIO_MLB	2C5 2D3 7C8							
UMTS_RXD_2V6	UMTS_RXD_2V6 - @radio_mlb_lib.RADIO_MLB	2A5 2D1 7C4							
UMTS_TDI	UMTS_TDI - @radio_mlb_lib.RADIO_MLB	2B3 7C4							
UMTS_TDO	UMTS_TDO - @radio_mlb_lib.RADIO_MLB	2B3 7C4							
UMTS_TMS	UMTS_TMS - @radio_mlb_lib.RADIO_MLB	2B3 7C4							
UMTS_TRST_N	UMTS_TRST_N - @radio_mlb_lib.RADIO_MLB	2B3 7C4							
UMTS_TXD	UMTS_TXD - @radio_mlb_lib.RADIO_MLB	2A5 7C4 7C8							
VAFPC_2V65	VAFPC_2V65 - @radio_mlb_lib.RADIO_MLB	4C1 8D2							
VAUDIOA	VAUDIOA - @radio_mlb_lib.RADIO_MLB	3B8 4C1							
VAUDIOB	VAUDIOB - @radio_mlb_lib.RADIO_MLB	2B3 3A8 4C1							
VVAUX	VVAUX - @radio_mlb_lib.RADIO_MLB	4C1 5D4							
VBA	VBA - @radio_mlb_lib.RADIO_MLB	6B8							
VC1	VC1 - @radio_mlb_lib.RADIO_MLB	6D5							
VC2	VC2 - @radio_mlb_lib.RADIO_MLB	6D5							
VC3	VC3 - @radio_mlb_lib.RADIO_MLB	6D5							
VC4	VC4 - @radio_mlb_lib.RADIO_MLB	6D5							
VCA	VCA - @radio_mlb_lib.RADIO_MLB	2C1 2D7							
VCC_XO	VCC_XO - @radio_mlb_lib.RADIO_MLB	5C8							
VCO_RC	VCO_RC - @radio_mlb_lib.RADIO_MLB	5C5							
VDD1V5RF	VDD1V5RF - @radio_mlb_lib.RADIO_MLB	5D2							
VDD1G2V8	VDD1G2V8 - @radio_mlb_lib.RADIO_MLB	5B2							
VDD1GANA1V5	VDD1GANA1V5 - @radio_mlb_lib.RADIO_MLB	5D2							
VDDFSYS2V8	VDDFSYS2V8 - @radio_mlb_lib.RADIO_MLB	5C2							
VDDMIX2V8	VDDMIX2V8 - @radio_mlb_lib.RADIO_MLB	5C2							
VDDRK2V8	VDDRK2V8 - @radio_mlb_lib.RADIO_MLB	5C3							
VDDSD1_IN	VDDSD1_IN - @radio_mlb_lib.RADIO_MLB	4D5							
VDDSD2_IN	VDDSD2_IN - @radio_mlb_lib.RADIO_MLB	4D5							
VDDFX2V8	VDDFX2V8 - @radio_mlb_lib.RADIO_MLB	5C3							
VDD_E_FUSE	VDD_E_FUSE - @radio_mlb_lib.RADIO_MLB	2B3							
VDD_FUSE	VDD_FUSE - @radio_mlb_lib.RADIO_MLB	3B7							
VDD_GPS_2V85	VDD_GPS_2V85 - @radio_mlb_lib.RADIO_MLB	4B1 8C4 8C5							
VDD_GPS_2V85_INA	VDD_GPS_2V85_INA - @radio_mlb_lib.RADIO_MLB	8B3							
VDD_GPS_RF	VDD_GPS_RF - @radio_mlb_lib.RADIO_MLB	8C6							
VDD_RTC	VDD_RTC - @radio_mlb_lib.RADIO_MLB	3B7							
VIN_1P2LDO	VIN_1P2LDO - @radio_mlb_lib.RADIO_MLB	9C6							
VIN_3P3	VIN_3P3 - @radio_mlb_lib.RADIO_MLB	9C6							
VIO	VIO - @radio_mlb_lib.RADIO_MLB	2B3 2B7 2D1 3C7 3C8 4B1 4C7 7B4							
VIO_CONN	VIO_CONN - @radio_mlb_lib.RADIO_MLB	7B3							
VMODE	VMODE - @radio_mlb_lib.RADIO_MLB	2C1 6B8							
VMODE_DIV	VMODE_DIV - @radio_mlb_lib.RADIO_MLB	6B6							

	8	7	6	5	4	3	2	1
	<p>Title: Cref Part Report Design: radio_mlb Date: Jan 29 18:20:30 2009</p>							
D	C1 CAP_201 radio_mlb[605] C2 CAP_201 radio_mlb[604] C3 CAP_201 radio_mlb[608] C4 CAP_402 radio_mlb[488] C5 CAP_402 radio_mlb[302] C6 CAP_201 radio_mlb[587] C7 CAP_201 radio_mlb[5A6] C8 CAP_201 radio_mlb[5A6] C9 CAP_201 radio_mlb[4D7] C10 CAP_603 radio_mlb[4A8] C11 CAP_201 radio_mlb[4D7] C12 CAP_201 radio_mlb[4D8] C13 CAP_201 radio_mlb[602] C14 CAP_201 radio_mlb[2D1] C15 CAP_201 radio_mlb[5A6] C16 CAP_201 radio_mlb[5B6] C17 CAP_0201 radio_mlb[5A6] C18 CAP_201 radio_mlb[4D4] C19 CAP_201 radio_mlb[6B7] C20 CAP_201 radio_mlb[4D7] C21 CAP_201 radio_mlb[5D3] C22 CAP_603 radio_mlb[4D3] C23 CAP_201 radio_mlb[3D2] C24 CAP_402 radio_mlb[3D1] C25 CAP_201 radio_mlb[3D1] C26 CAP_402 radio_mlb[3D1] C27 CAP_402 radio_mlb[8C7] C28 CAP_402 radio_mlb[4C1] C29 CAP_201 radio_mlb[8C8] C30 CAP_201 radio_mlb[4D2] C31 CAP_201 radio_mlb[8D6] C32 CAP_603 radio_mlb[4C2] C33 CAP_402 radio_mlb[4B1] C34 CAP_201 radio_mlb[9C6] C35 CAP_201 radio_mlb[6B4] C36 CAP_201 radio_mlb[6B4] C37 CAP_201 radio_mlb[6B2] C38 CAP_201 radio_mlb[6B1] C39 CAP_201 radio_mlb[6B1] C40 CAP_201 radio_mlb[6A6] C41 CAP_201 radio_mlb[6B6] C42 CAP_201 radio_mlb[6B4] C43 CAP_603 radio_mlb[9C7] C44 CAP_201 radio_mlb[6A8] C45 CAP_201 radio_mlb[6C4] C46 CAP_201 radio_mlb[5C4] C47 CAP_201 radio_mlb[3A7] C48 CAP_402 radio_mlb[9C7] C49 CAP_3D1 radio_mlb[3D1] C50 CAP_201 radio_mlb[8C2] C51 CAP_201 radio_mlb[8C1] C52 CAP_201 radio_mlb[6B6] C53 CAP_201 radio_mlb[9C2] C54 CAP_201 radio_mlb[8B3] C55 CAP_201 radio_mlb[4D4] C56 CAP_201 radio_mlb[8D5] C57 CAP_402 radio_mlb[8D6] C58 CAP_201 radio_mlb[3C8] C59 CAP_201 radio_mlb[3C7] C60 CAP_402 radio_mlb[3A5] C61 CAP_201 radio_mlb[3C7] C62 CAP_201 radio_mlb[3C7] C63 CAP_201 radio_mlb[6A6] C64 CAP_201 radio_mlb[3A4] C65 CAP_201 radio_mlb[8D5] C66 CAP_201 radio_mlb[3A4] C67 CAP_201 radio_mlb[8C6] C68 CAP_201 radio_mlb[6D3] C69 CAP_402 radio_mlb[9D6] C70 CAP_201 radio_mlb[3B4] C71 CAP_201 radio_mlb[4A2] C72 CAP_201 radio_mlb[9C5] C73 CAP_201 radio_mlb[8A2] C80 CAP_201 radio_mlb[8A2] C81 CAP_201 radio_mlb[8C4] C82 CAP_201 radio_mlb[8B2] C89 CAP_402 radio_mlb[4C3] C90 CAP_402 radio_mlb[4B3] C101 CAP_402 radio_mlb[4B3] C102 CAP_402 radio_mlb[4B3] C118 CAP_402-LF radio_mlb[4B2] C120 CAP_402 radio_mlb[4C2] C121 CAP_402-LF radio_mlb[4B2] C122 CAP_402 radio_mlb[4C2] C124 CAP_402-LF radio_mlb[4B2] C125 CAP_402 radio_mlb[4C2] C129 CAP_201 radio_mlb[6C4] C130 CAP_201 radio_mlb[6D2] C135 CAP_P_CASE-A4 radio_mlb[6D2] C139 CAP_201 radio_mlb[6C1] C144 CAP_402-1 radio_mlb[2B3] C145 CAP_603 radio_mlb[4B8] C146 CAP_201 radio_mlb[2B3] C147 CAP_201 radio_mlb[3C8] C156 CAP_603 radio_mlb[4C4] C157 CAP_201 radio_mlb[3C7] C158 CAP_201 radio_mlb[5B8] C159 CAP_201 radio_mlb[3C7] C160 CAP_402-LF radio_mlb[5B8] C161 CAP_201 radio_mlb[5B3] C162 CAP_201 radio_mlb[5B8] C163 CAP_201 radio_mlb[5C8] C164 CAP_201 radio_mlb[5D7] C167 CAP_201 radio_mlb[5B7] C171 CAP_201 radio_mlb[5B4] C172 CAP_201 radio_mlb[5B4] C173 CAP_201 radio_mlb[5C4] C174 CAP_201 radio_mlb[5D4] C175 CAP_201 radio_mlb[5D4] C176 CAP_201 radio_mlb[5C4] C177 CAP_201 radio_mlb[5D3] C178 CAP_0201 radio_mlb[5C4] C179 CAP_201 radio_mlb[5C3] C184 CAP_402 radio_mlb[5D4] C185 CAP_201 radio_mlb[5C3] C186 CAP_201 radio_mlb[5C3] C187 CAP_201 radio_mlb[5D3] C188 CAP_201 radio_mlb[5C2] C189 CAP_201 radio_mlb[5D2] C190 CAP_201 radio_mlb[5D3]	C191 CAP_201 radio_mlb[5C2] C192 CAP_402 radio_mlb[5D2] C193 CAP_201 radio_mlb[5D2] C195 CAP_402-1 radio_mlb[3D8] C196 CAP_402-1 radio_mlb[3D8] C197 CAP_402-1 radio_mlb[3C8] C198 CAP_201 radio_mlb[3D7] C199 CAP_201 radio_mlb[3D7] C200 CAP_201 radio_mlb[3D8] C201 CAP_201 radio_mlb[3C7] C202 CAP_201 radio_mlb[3D7] C203 CAP_201 radio_mlb[3D7] C205 CAP_201 radio_mlb[3B8] C213 CAP_201 radio_mlb[8C4] C214 CAP_201 radio_mlb[8C4] C215 CAP_201 radio_mlb[8B4] C216 CAP_201 radio_mlb[8B3] C224 CAP_402 radio_mlb[8B3] C225 CAP_201 radio_mlb[8B3] C227 CAP_402-1 radio_mlb[2A3] C228 CAP_201 radio_mlb[2A3] C229 CAP_201 radio_mlb[2A3] C230 CAP_201 radio_mlb[3B8] C231 CAP_201 radio_mlb[3C8] C232 CAP_201 radio_mlb[3B7] C233 CAP_201 radio_mlb[3C8] C235 CAP_201 radio_mlb[3B7] C236 CAP_402 radio_mlb[6B3] C237 CAP_201 radio_mlb[6B6] C238 CAP_603 radio_mlb[6B5] C241 CAP_603 radio_mlb[6B3] C242 CAP_201 radio_mlb[6B6] C243 CAP_201 radio_mlb[6B3] C244 CAP_201 radio_mlb[6B8] C245 CAP_201 radio_mlb[6B8] C246 CAP_603 radio_mlb[6B8] C256 CAP_603 radio_mlb[4D5] C260 CAP_402-LF radio_mlb[4C2] C262 CAP_402-1 radio_mlb[2B4] C263 CAP_201 radio_mlb[2B4] C270 CAP_201 radio_mlb[8D7] C271 CAP_402 radio_mlb[8D7] C272 CAP_402 radio_mlb[8D7] C273 CAP_402-1 radio_mlb[2B3] C274 CAP_201 radio_mlb[2B4] C275 CAP_201 radio_mlb[2B3] C286 CAP_201 radio_mlb[3B8] C277 CAP_201 radio_mlb[3B8] C281 CAP_201 radio_mlb[8C4] C282 CAP_402-LF radio_mlb[4A6] C283 CAP_201 radio_mlb[6B8] C287 CAP_201 radio_mlb[8D2] C289 CAP_201 radio_mlb[2D8] C291 CAP_402-LF radio_mlb[8D3] C292 CAP_402 radio_mlb[4D6] C293 CAP_402 radio_mlb[4D6] C294 CAP_402 radio_mlb[4D5] C303 CAP_201 radio_mlb[6D4] C304 CAP_201 radio_mlb[6B4] C306 CAP_201 radio_mlb[6D5] C307 CAP_201 radio_mlb[6D5] C308 CAP_201 radio_mlb[6D5] C309 CAP_201 radio_mlb[6D5] C315 CAP_201 radio_mlb[6D5] C319 CAP_201 radio_mlb[6B2] C320 CAP_201 radio_mlb[6B4] C321 CAP_201 radio_mlb[6B7] C322 CAP_201 radio_mlb[6A8] C328 CAP_201 radio_mlb[6B3] C329 CAP_201 radio_mlb[5C3] C335 CAP_201 radio_mlb[5C7] C336 CAP_201 radio_mlb[6C4] C410 CAP_603 radio_mlb[4B8] C411 CAP_201 radio_mlb[4D2] C412 CAP_402 radio_mlb[4D3] C414 CAP_201 radio_mlb[6B2] C415 CAP_201 radio_mlb[6B4] C417 CAP_201 radio_mlb[9D4] C418 CAP_201 radio_mlb[9D5] C419 CAP_201 radio_mlb[9D6] C421 CAP_201 radio_mlb[9C6] D1 DIODE_SCHOT_2P_SOD-9 radio_mlb[4B7] 23-HF D3 DIODE_SCHOT_2P_SOD-9 radio_mlb[4A7] 23-HF FL1 FILTER_2P_0201-1 radio_mlb[4C7] FL5 FILTER_2P_0201-1 radio_mlb[4C7] FL6 FILTER_2P_0201 radio_mlb[4D5] FL7 FILTER_2P_0201-1 radio_mlb[4C7] FL8 FILTER_2P_0201 radio_mlb[4D5] FL10 FILTER_2P_0201 radio_mlb[6D4] FL11 FILTER_LFB2H_2.5X2X1 radio_mlb[9D2] -SM FL12 FILTER_SAFEB1G57KB_L radio_mlb[8B1] LP FL14 FILTER_SAFEB1G57FM_L radio_mlb[8B4] LP G2 OSC_6P_PN25VD_SMI radio_mlb[5B8] G3 OSC_4PIN_NCGND_2.5X2 radio_mlb[8D3] -SM J1 CON_F2ST_COAX_4MT_SM radio_mlb[8C2] _F-ST-SM J2 CON_M80ST_D_SMA_M-ST radio_mlb[7C3] -SM J3 CON_F2ST_COAX_S2MT_S radio_mlb[8C1] M_F-ST-SM J4 CON_F2ST_COAX_S2MT_S radio_mlb[6D2] M_F-ST-SM J5 CON_F2ST_COAX_4MT_SM radio_mlb[6D3] _F-ST-SM J7 BATTERY_4P2_SM-NSP radio_mlb[4D8] L1 IND_0201 radio_mlb[6D7] L2 IND_0201 radio_mlb[6D7] L3 IND_0402 radio_mlb[6D2] L4 IND_VLF3010AT-SM-HF radio_mlb[6D2] L5 FIL_LFD181G57DFPC087 radio_mlb[8C3] _LLP-0603 L6 IND_0201 radio_mlb[6D7] L7 IND_0201 radio_mlb[6D7] L8 IND_0201 radio_mlb[5D3] L9 IND_0201 radio_mlb[6C4] L10 IND_201 radio_mlb[6B1] L11 IND_VLS252012-SM radio_mlb[4B7] L12 IND_BRL2012TR2M radio_mlb[4D2]	L13 IND_0201 radio_mlb[6C7] L14 IND_0603-HF radio_mlb[4D1] L15 IND_VLF3010AT-SM-HF radio_mlb[9C6] L16 IND_0201 radio_mlb[5A7] L17 IND_0201 radio_mlb[6C7] L18 IND_0201 radio_mlb[6C7] L19 IND_0201 radio_mlb[6C7] L20 IND_VLF radio_mlb[9C6] L21 IND_0201 radio_mlb[5A6] L22 IND_0201 radio_mlb[6B6] L23 IND_0201 radio_mlb[3B5] L24 IND_0201 radio_mlb[3B5] L34 IND_VLF3012ST-HF radio_mlb[4B7] L36 IND_0201 radio_mlb[5A5] L38 IND_0201 radio_mlb[5B6] L40 IND_0201 radio_mlb[5C4] L41 IND_SM radio_mlb[5B2] L46 IND_0201 radio_mlb[5A5] L52 IND_0201 radio_mlb[8B5] L54 IND_0201 radio_mlb[8B3] L60 IND_0201 radio_mlb[8A2] L65 IND_0201 radio_mlb[6D4] L78 IND_0201 radio_mlb[6C7] L79 IND_0201 radio_mlb[6C7] L80 IND_0201 radio_mlb[6D7] L81 IND_0201 radio_mlb[6D7] L84 IND_0201 radio_mlb[6A5] L85 IND_0402 radio_mlb[6D3] R1 RES_201 radio_mlb[8B8] R2 RES_201 radio_mlb[2D4] R3 RES_201 radio_mlb[3A5] R4 RES_201 radio_mlb[3B5] R5 RES_201 radio_mlb[3B5] R6 RES_201 radio_mlb[2A8] R7 RES_201 radio_mlb[6B8] R8 RES_201 radio_mlb[4D8] R9 RES_201 radio_mlb[2C8] R10 RES_201 radio_mlb[8B7] R11 RES_201 radio_mlb[3B4] R12 RES_201 radio_mlb[8B7] R13 RES_201 radio_mlb[8B3] R14 RES_201 radio_mlb[6B8] R15 RES_201 radio_mlb[8A8] R16 RES_201 radio_mlb[8A8] R17 RES_201 radio_mlb[8A7] R18 RES_201 radio_mlb[2C7] R19 RES_201 radio_mlb[8C5] R20 RES_402 radio_mlb[8C2] R21 RES_201 radio_mlb[2C7] R22 RES_201 radio_mlb[4D3] R23 RES_201 radio_mlb[8C5] R24 RES_201 radio_mlb[4D4] R25 RES_201 radio_mlb[4D4] R26 RES_201 radio_mlb[8A7] R27 RES_201 radio_mlb[4C8] R28 RES_201 radio_mlb[7B3] R29 RES_201 radio_mlb[8D2] R30 THERMISTHER_0201 radio_mlb[2D4] R31 RES_201 radio_mlb[8B2] R32 RES_201 radio_mlb[7B3] R33 RES_201 radio_mlb[3B8] R34 RES_201 radio_mlb[2D7] R35 RES_805 radio_mlb[4D7] R36 RES_201 radio_mlb[4C5] R37 RES_201 radio_mlb[2A8] R38 RES_201 radio_mlb[3C4] R40 RES_201 radio_mlb[9B2] R41 RES_201 radio_mlb[2A8] R43 RES_201 radio_mlb[2A8] R44 RES_201 radio_mlb[2B7] R45 RES_201 radio_mlb[2A7] R46 RES_201 radio_mlb[2C3] R47 RES_201 radio_mlb[2C4] R48 RES_201 radio_mlb[2A8] R49 RES_201 radio_mlb[2C4] R50 RES_201 radio_mlb[2A8] R51 RES_201 radio_mlb[2A3] R52 RES_201 radio_mlb[5A8] R53 RES_201 radio_mlb[4A3] R54 RES_201 radio_mlb[4D3] R55 RES_201 radio_mlb[4D2] R56 RES_201 radio_mlb[2C4] R57 RES_201 radio_mlb[2C4] R58 RES_201 radio_mlb[8C5] R59 RES_201 radio_mlb[8B5] R60 RES_201 radio_mlb[4D2] R61 RES_201 radio_mlb[2A8] R63 RES_201 radio_mlb[9B7] R64 RES_201 radio_mlb[5B4] R65 RES_201 radio_mlb[2A7] R66 RES_201 radio_mlb[9C4] R67 RES_201 radio_mlb[9C3] R69 RES_201 radio_mlb[9C2] R70 RES_201 radio_mlb[6C1] R71 RES_201 radio_mlb[5C4] R72 RES_201 radio_mlb[2A7] R73 RES_201 radio_mlb[5C8] R75 RES_201 radio_mlb[3A6] R77 RES_201 radio_mlb[5B5] R79 RES_201 radio_mlb[7C4] R80 RES_201 radio_mlb[2A7] R81 RES_201 radio_mlb[2A7] R82 RES_201 radio_mlb[2A7] R83 RES_201 radio_mlb[5C4] R84 RES_201 radio_mlb[2A7] R85 RES_201 radio_mlb[5C3] R88 RES_201 radio_mlb[5C2] R89 RES_201 radio_mlb[2D7] R92 RES_201 radio_mlb[2D7] R94 RES_201 radio_mlb[3B7] R96 RES_402 radio_mlb[2D7] R97 RES_201 radio_mlb[2D3] R99 RES_201 radio_mlb[2B3] R102 RES_201 radio_mlb[2D7] R104 RES_201 radio_mlb[6D5] R105 RES_201 radio_mlb[6D6] R106 RES_201 radio_mlb[6D6] R107 RES_201 radio_mlb[6D6] R109 RES_201 radio_mlb[6B6] R114 RES_201 radio_mlb[6B7] R116 RES_201 radio_mlb[6B4] R118 RES_201 radio_mlb[2C3] R119 RES_201 radio_mlb[2C3] R120 RES_201 radio_mlb[4C7]	R121 RES_201 radio_mlb[4C7] R122 RES_201 radio_mlb[4C3] R124 RES_201 radio_mlb[8B8] R125 RES_201 radio_mlb[8B8] R153 RES_201 radio_mlb[6B7] R155 RES_201 radio_mlb[6C4] R156 RES_201 radio_mlb[6C4] R240 THERMISTHER_0201 radio_mlb[5A8] R412 RES_201 radio_mlb[4D2] R413 RES_201 radio_mlb[2A7] R415 RES_201 radio_mlb[3B4] SP1 SPRING_CLIP_1P_EMI_N radio_mlb[6D3] 88-MLB-SM TP1 TP_TP-P6 radio_mlb[7A3] TP6 TP_TP-1P0-TOP radio_mlb[7C3] TP7 TP_TP-1P0-TOP radio_mlb[7B3] TP8 TP_TP-1P0-TOP radio_mlb[7B3] TP15 TP_TP-P6 radio_mlb[7B7] TP16 TP_TP-1P0-TOP radio_mlb[7D3] TP33 TP_TP-P6 radio_mlb[7A7] TP41 TP_TP-1P0-TOP radio_mlb[4D8] TP43 TP_TP-1P0-TOP radio_mlb[4D8] TP56 TP_TP-P6 radio_mlb[7A5] TP59 TP_TP-P6 radio_mlb[7A5] TP60 TP_TP-P6 radio_mlb[7B5] TP64 TP_TP-P6 radio_mlb[7A5] TP65 TP_TP-P6 radio_mlb[7A5] TP74 TP_TP-P6 radio_mlb[7A3] U1 FLASH_DRAM_128MB_128 radio_mlb[3D3] MB_BGA133_BGA U2 MAX8839_WLP radio_mlb[4D3] U3 HFQRX5DCC001_LGA radio_mlb[5A4] U4 LMSF4LMA_QFN radio_mlb[6D5] U5 AMP_TQM616035_LGA radio_mlb[6B5] U6 MOD_WI_FT_LGA64_1 radio_mlb[9C5] _LGA U7 74LVC1G79_SOT891 radio_mlb[5C4] U8 SM74AUC1G126_BGA-YZP radio_mlb[2D1] U11 74LVC2G34_SOT891 radio_mlb[6D1] U14 SKY71340_MCM-HF radio_mlb[6D2] U16 PMB6952_BGA radio_mlb[5D2_5D6] U19 AMP_TQM676031_LGA radio_mlb[6B3] U22 PMB8878_BGA radio_mlb[2D2_2D6] U22 PMB8878_BGA radio_mlb[3D7] U23 74LVC1G08GF_SOT891 radio_mlb[2D8] U25 PMB6820_WFSGA radio_mlb[4C5] U31 PMB2525_BGA radio_mlb[8C7] U33 BGA615L7_TSLP radio_mlb[8B3] U37 AMP_TQM666032_LGA radio_mlb[6B8] U410 HHM1822A2_LGA radio_mlb[6A6] XW1 SHORT_SM radio_mlb[6D1] XW2 SHORT10L25_WITH_ALTS radio_mlb[4D7] _SM XW3 SHORT_SHORT-0201 radio_mlb[8D5] XW4 SHORT10L25_WITH_ALTS radio_mlb[4D6] _SM XW5 SHORT_SM radio_mlb[9B7] XW6 SHORT10L25_WITH_ALTS radio_mlb[3A4] _SM XW7 SHORT_SHORT-0201 radio_mlb[3D3] XW8 SHORT_SM radio_mlb[9B7] XW9 SHORT10L25_WITH_ALTS radio_mlb[2D8] _SM XW10 SHORT_SM radio_mlb[6D2] XW11 SHORT_SHORT-0201 radio_mlb[9C6] XW12 SHORT_SM radio_mlb[9B7] XW13 SHORT_SM radio_mlb[9B7] XW14 SHORT_SM radio_mlb[9B7] XW15 SHORT_SM radio_mlb[9B7] XW17 SHORT_SHORT-0201 radio_mlb[9D6] XW18 SHORT_SHORT-0201 radio_mlb[9D6] XW19 SHORT_SHORT-0201 radio_mlb[9B6] XW21 SHORT_SM radio_mlb[3A7] XW36 SHORT_SHORT-0201 radio_mlb[4C6] Y1 CRYSTAL_3.2X1.5X.6-S radio_mlb[3A4] M	D	C	B	A
	8	7	6	5	4	3	2	1

N88 H2-BASED SUB-DESIGN 03/23/09 (DVT2) A BOARD REV 5

D

PDF PAGE	CSA PAGE	CONTENTS	SYNC MASTER	DATE
1	1	Table of Contents	N/A	N/A
2	2	AP MAIN	N/A	N/A
3	3	AP PWR, AP WIFI/MIPI	N/A	N/A
4	4	AP NAND	N/A	N/A
5	5	AP RGB/CLCD	N/A	N/A
6	6	AP TVOUT	N/A	N/A
7	7	L61 AUDIO INTERFACE	N/A	N/A
8	8	L61 HP	N/A	N/A
9	9	PMU	N/A	N/A
10	10	SIM, ACCEL, VIBE	N/A	N/A
11	11	INTERFACE ASSIGNMENTS	N/A	N/A
12	12	DOCK	N/A	N/A
13	13	NIMBUS	N/A	N/A
14	14	CAMERA	N/A	N/A
15	15	RADIO CONNECTIVITY	N/A	N/A
16	16	PROX, ALS	N/A	N/A
17	32	Cross Reference Page		
18	33	Cross Reference Page		
19	34	Cross Reference Page		
20	35	Cross Reference Page		
21	36	Cross Reference Page		
22	37	Cross Reference Page		

PDF PAGE	CSA PAGE	CONTENTS	SYNC MASTER	DATE
23	38	Cross Reference Page		
24	39	Cross Reference Page		
25	40	Cross Reference Page		

C

B


A

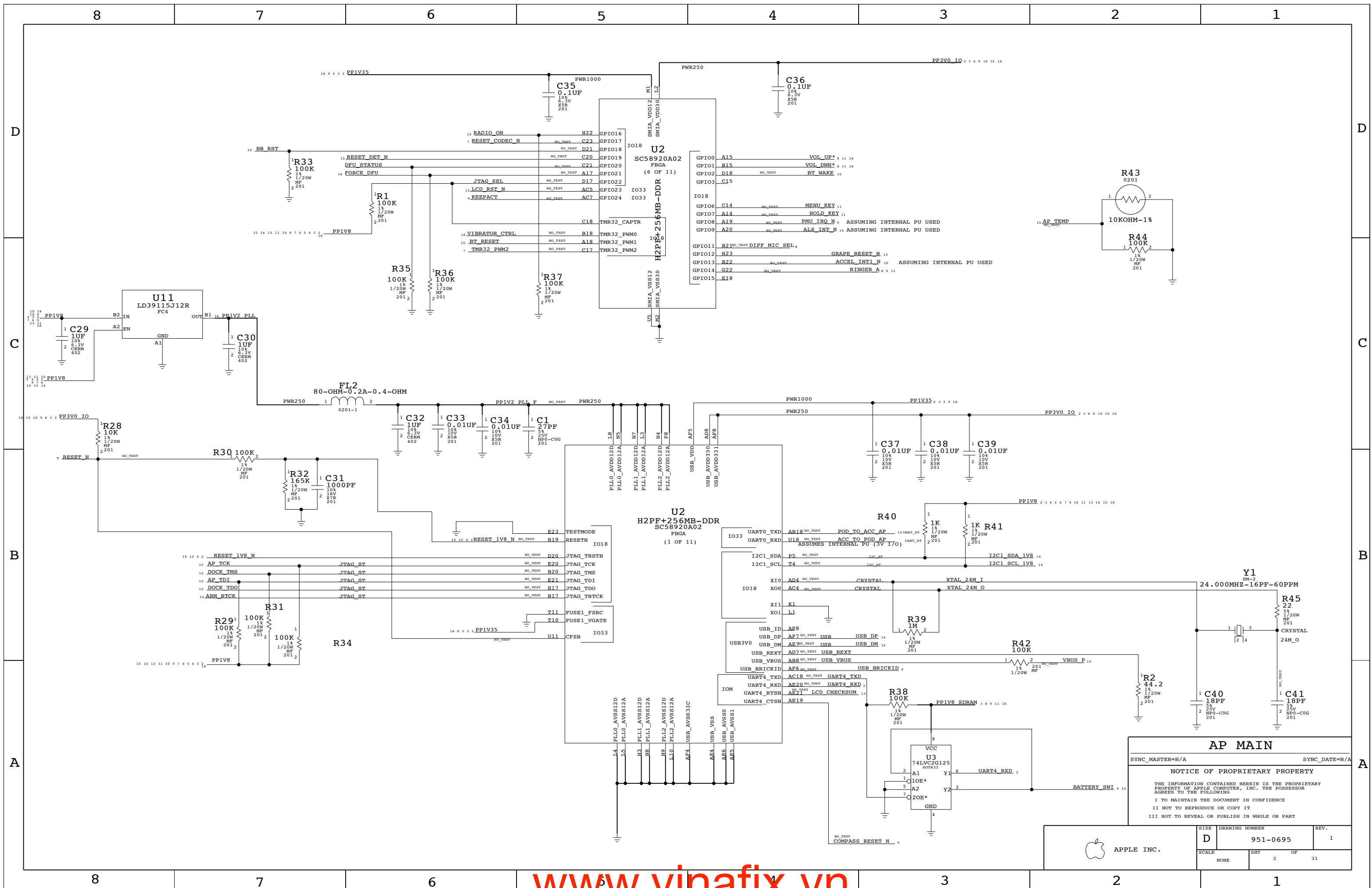
PART#	QTY	DESCRIPTION	REFERENCE DESIGNATOR(S)	CRITICAL	BOM OPTION
951-0719	1	P4C_DEV_SCHEMATIC	SCH	Y	
920-0596	1	P4C_DEV_PCB	PCB	Y	
825-2029	1	EEE	EEE:???	Y	


SOCKET BOM OPTIONS

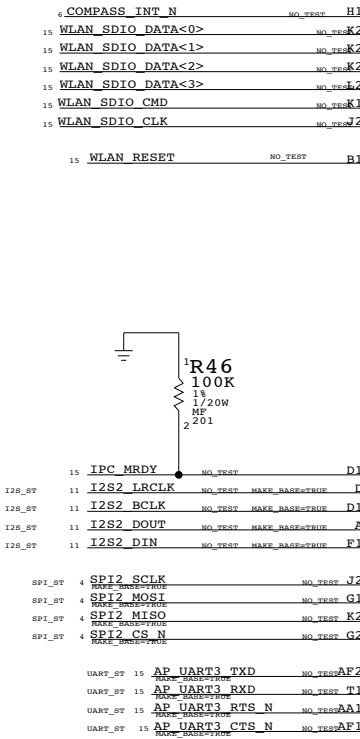
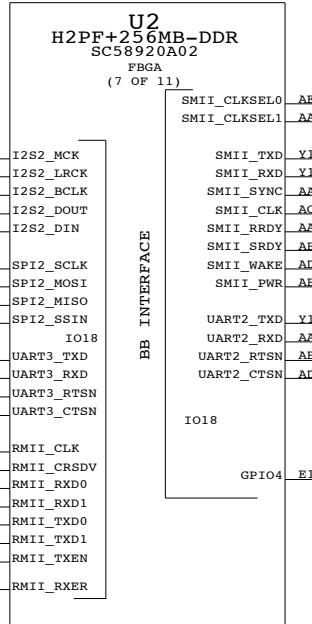
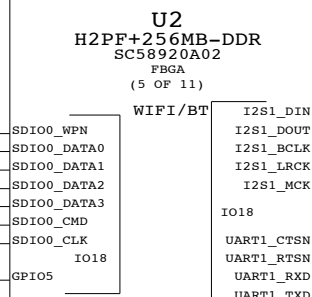
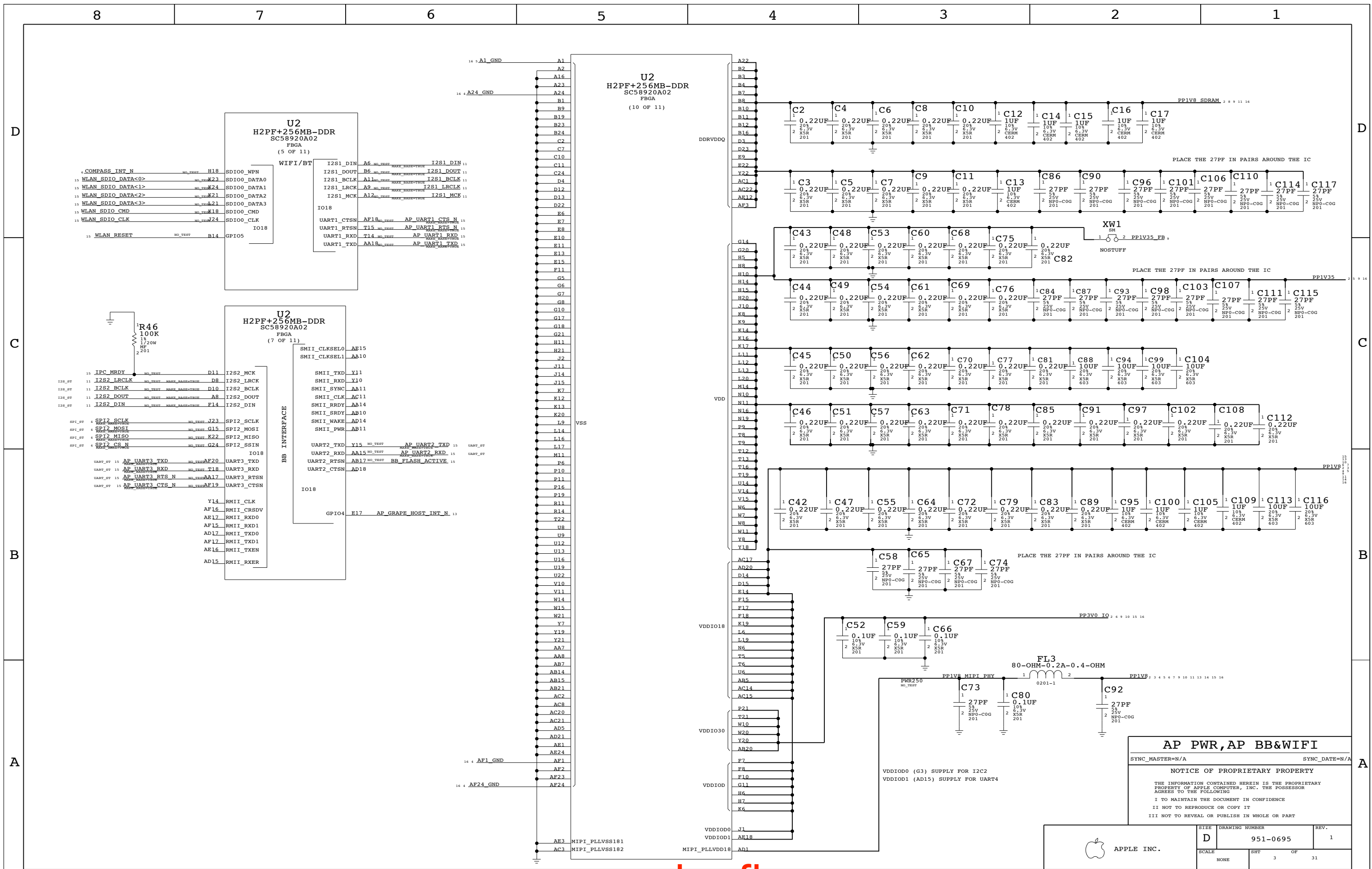
PART#	QTY	DESCRIPTION	REFERENCE DESIGNATOR(S)	CRITICAL	BOM OPTION
998-1925	1	M2_TEST_SOCKET	SKT1	Y	SOCKET
998-1922	1	NUMBUS TEST SOCKET	SKT2	Y	SOCKET

Table of Contents		
SYNC_MASTER=N/A		SYNC_DATE=N/A
NOTICE OF PROPRIETARY PROPERTY		
THE INFORMATION CONTAINED HEREIN IS THE PROPRIETARY PROPERTY OF APPLE COMPUTER, INC. THE POSSESSOR AGREES TO THE FOLLOWING		
I TO MAINTAIN THE DOCUMENT IN CONFIDENCE		
II NOT TO REPRODUCE OR COPY IT		
III NOT TO REVEAL OR PUBLISH IN WHOLE OR PART		

 APPLE INC.	SIZE D	DRAWING NUMBER 951-0719	REV. 1
	SCALE NONE	SHT 1	OF 25



AP MAIN			
SYNC_MASTER=N/A	SYNC_DATE=N/A		
NOTICE OF PROPRIETARY PROPERTY			
THE INFORMATION CONTAINED HEREIN IS THE PROPRIETARY PROPERTY OF APPLE COMPUTER, INC. THE POSSESSOR AGREES TO THE FOLLOWING			
I TO MAINTAIN THE DOCUMENT IN CONFIDENCE			
II NOT TO REPRODUCE OR COPY IT			
III NOT TO REVEAL OR PUBLISH IN WHOLE OR PART			
 APPLE INC.	SIZE: D SCALE: NONE	DRAWING NUMBER: 951-0695 SHEET: 2 OF 31	REV.: 1



AP PWR, AP BB&WIFI

SYNC_MASTER=N/A SYNC_DATE=N/A

NOTICE OF PROPRIETARY PROPERTY

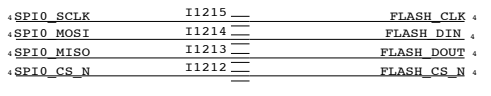
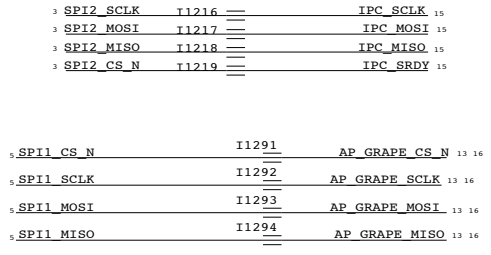
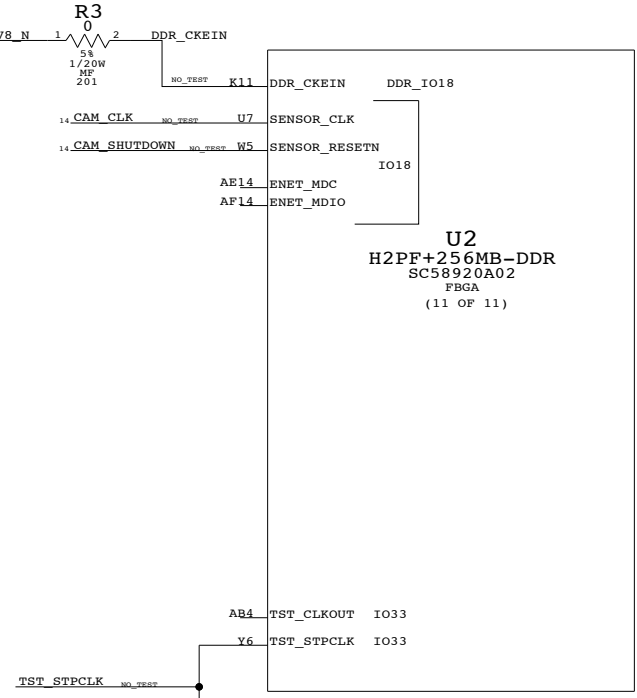
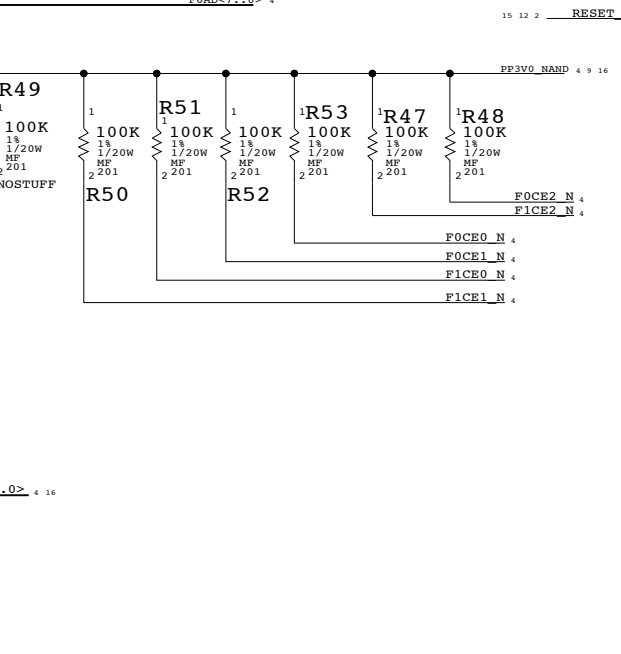
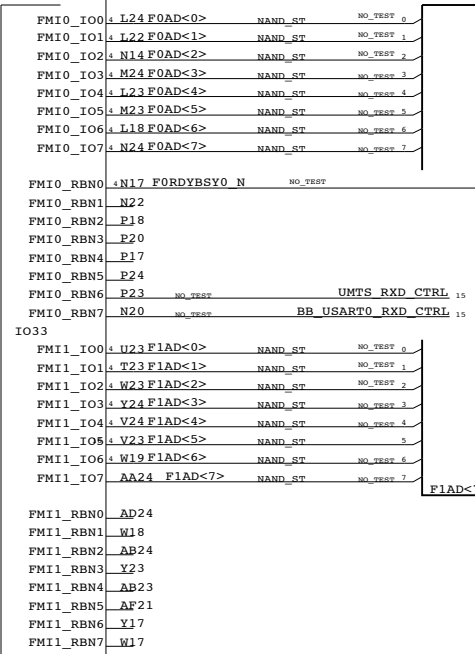
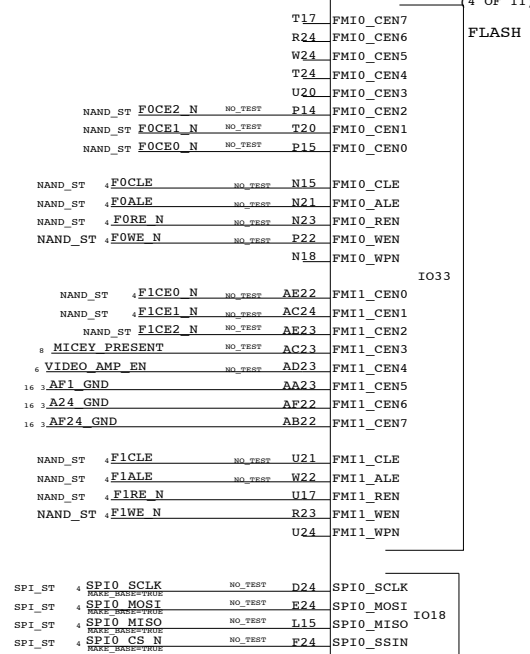
THE INFORMATION CONTAINED HEREIN IS THE PROPRIETARY PROPERTY OF APPLE COMPUTER, INC. THE POSSESSOR AGREES TO THE FOLLOWING

I TO MAINTAIN THE DOCUMENT IN CONFIDENCE
II NOT TO REPRODUCE OR COPY IT
III NOT TO REVEAL OR PUBLISH IN WHOLE OR PART

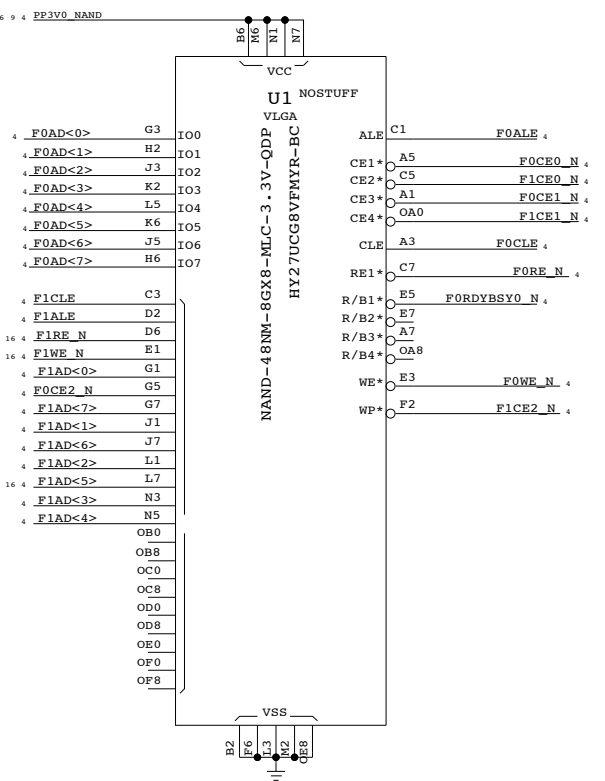
SCALE	DRAWING NUMBER		REV.
	D 951-0695		1
NONE		SHT 3	OF 31

NAND FLASH

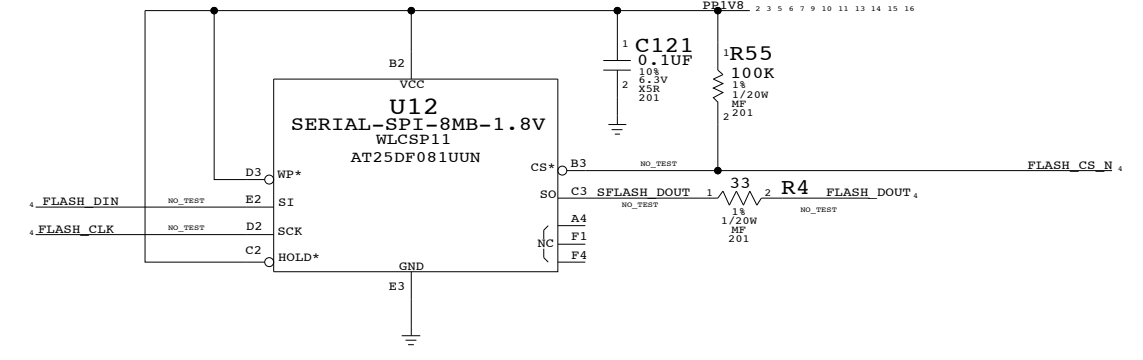
U2
H2PF+256MB-DDR
SC58920A02
FBGA



NAND, BANK ZERO



1.8V SERIAL FLASH



AP NAND

SYNC_MASTER=N/A SYNC_DATE=N/A

NOTICE OF PROPRIETARY PROPERTY

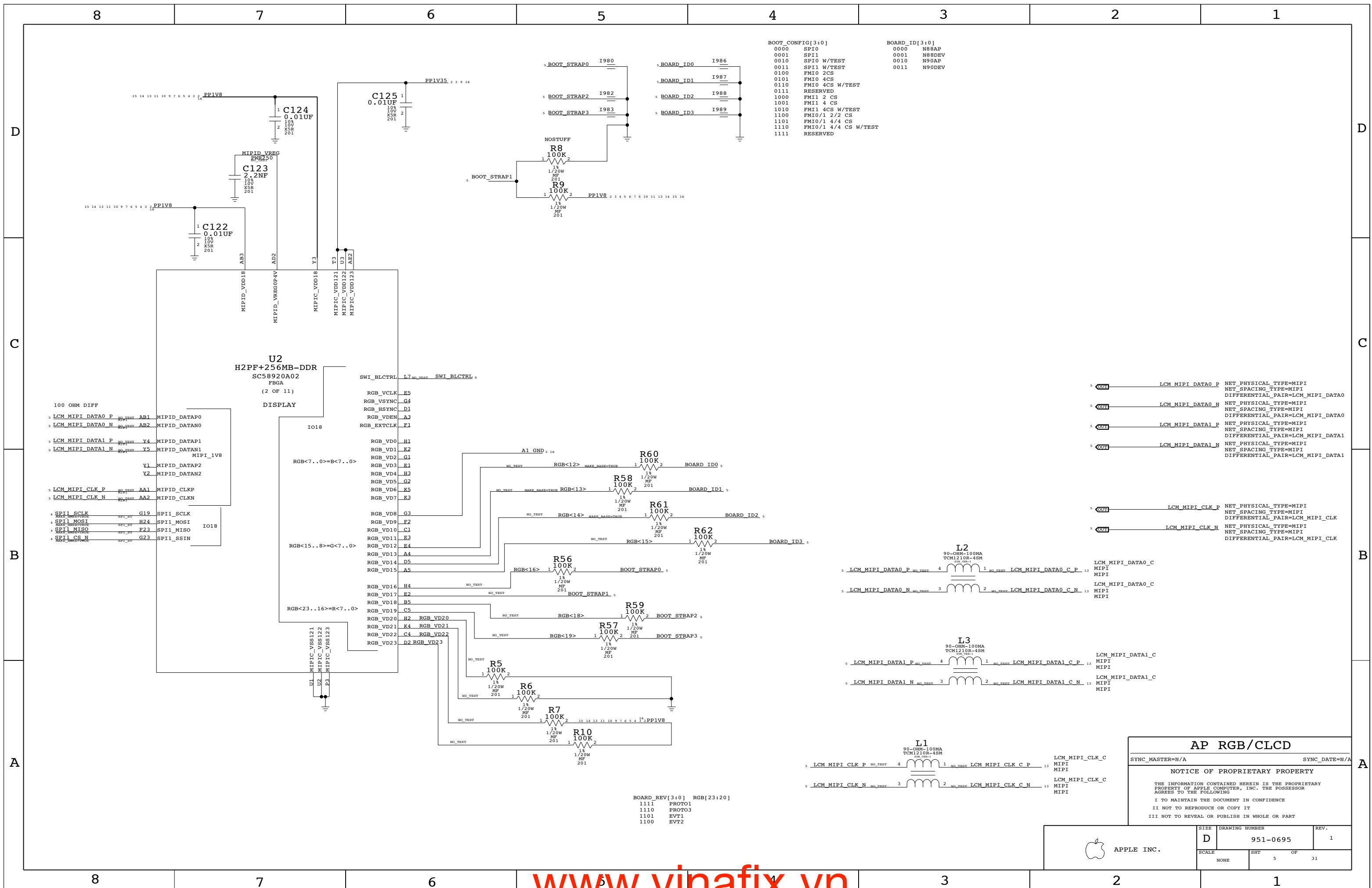
THE INFORMATION CONTAINED HEREIN IS THE PROPRIETARY PROPERTY OF APPLE COMPUTER, INC. THE POSSESSOR AGREES TO THE FOLLOWING

I TO MAINTAIN THE DOCUMENT IN CONFIDENCE

II NOT TO REPRODUCE OR COPY IT

III NOT TO REVEAL OR PUBLISH IN WHOLE OR PART

SCALE	NONE	SHT	4	OF	31
SIZE	D	DRAWING NUMBER	951-0695	REV.	1



BOOT_CONFIG[3:0]		BOARD_ID[3:0]	
0000	SPI0	0000	N86AP
0001	SPI1	0001	N88DEV
0010	SPI0 W/TEST	0010	N90AP
0011	SPI1 W/TEST	0011	N90DEV
0100	FMIO 2CS		
0101	FMIO 4CS		
0110	FMIO 4CS W/TEST		
0111	RESERVED		
1000	FMII 2 CS		
1001	FMII 4 CS		
1010	FMII 4CS W/TEST		
1100	FMIO/1 2/2 CS		
1101	FMIO/1 4/4 CS		
1110	FMIO/1 4/4 CS W/TEST		
1111	RESERVED		

5	LCM MIPI_DATA0_P	NET_PHYSICAL_TYPE=MIPI NET_SPACING_TYPE=MIPI DIFFERENTIAL_PAIR=LCM_MIPI_DATA0
5	LCM MIPI_DATA0_N	NET_PHYSICAL_TYPE=MIPI NET_SPACING_TYPE=MIPI DIFFERENTIAL_PAIR=LCM_MIPI_DATA0
5	LCM MIPI_DATA1_P	NET_PHYSICAL_TYPE=MIPI NET_SPACING_TYPE=MIPI DIFFERENTIAL_PAIR=LCM_MIPI_DATA1
5	LCM MIPI_DATA1_N	NET_PHYSICAL_TYPE=MIPI NET_SPACING_TYPE=MIPI DIFFERENTIAL_PAIR=LCM_MIPI_DATA1
5	LCM MIPI_CLK_P	NET_PHYSICAL_TYPE=MIPI NET_SPACING_TYPE=MIPI DIFFERENTIAL_PAIR=LCM_MIPI_CLK
5	LCM MIPI_CLK_N	NET_PHYSICAL_TYPE=MIPI NET_SPACING_TYPE=MIPI DIFFERENTIAL_PAIR=LCM_MIPI_CLK

BOARD_REV[3:0]		RGB[23:20]	
1111	PROTO1		
1110	PROTO3		
1101	EVT1		
1100	EVT2		

AP RGB/CLCD

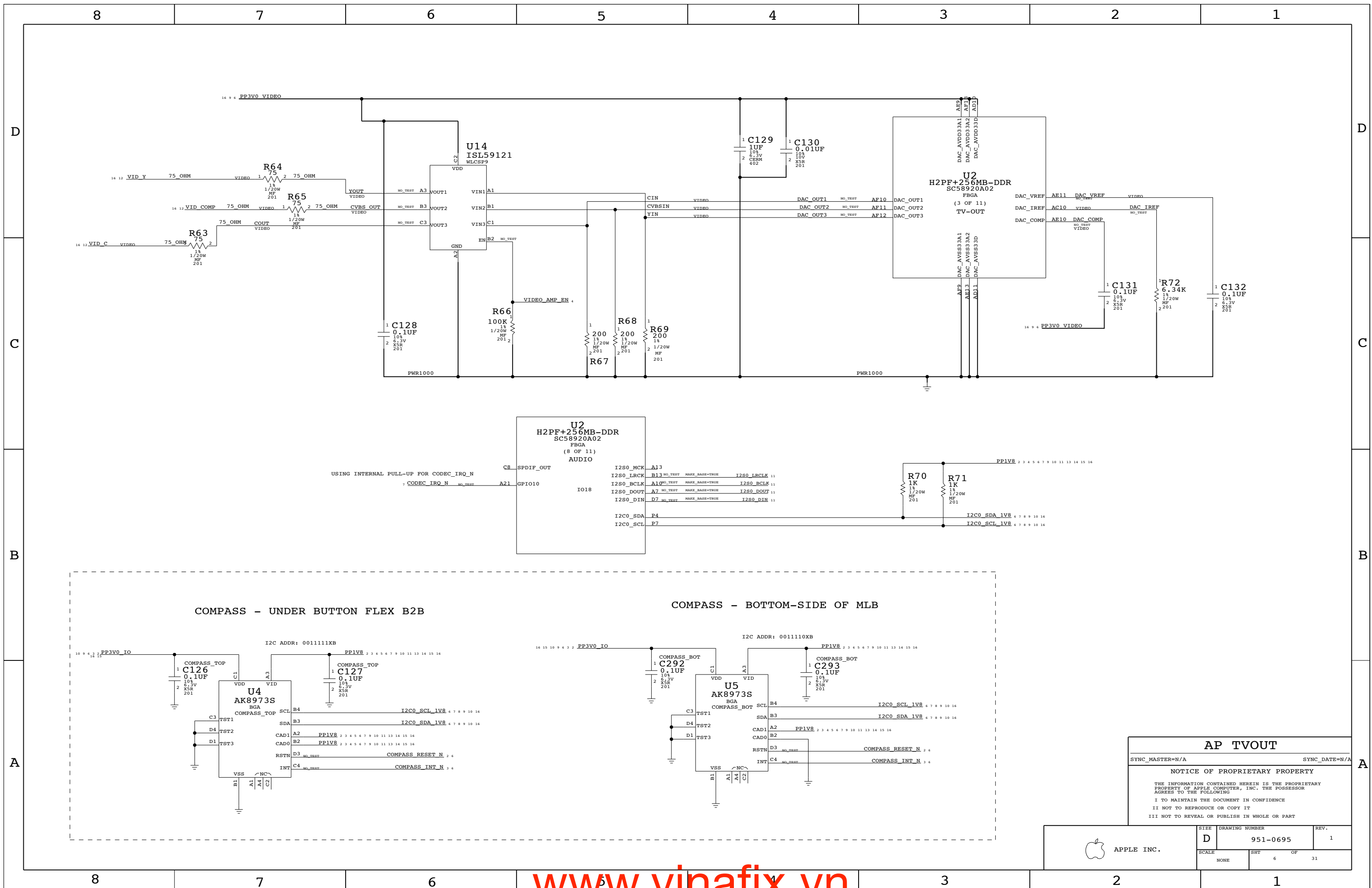
SYNC_MASTER=N/A SYNC_DATE=N/A

NOTICE OF PROPRIETARY PROPERTY

THE INFORMATION CONTAINED HEREIN IS THE PROPRIETARY PROPERTY OF APPLE COMPUTER, INC. THE POSSESSOR AGREES TO THE FOLLOWING

I TO MAINTAIN THE DOCUMENT IN CONFIDENCE
 II NOT TO REPRODUCE OR COPY IT
 III NOT TO REVEAL OR PUBLISH IN WHOLE OR PART

APPLE INC.	SIZE	DRAWING NUMBER	REV.
	D	951-0695	1
SCALE	NONE	SHT	5 OF 31



AP TVOUT

SYNC_MASTER=N/A SYNC_DATE=N/A

NOTICE OF PROPRIETARY PROPERTY

THE INFORMATION CONTAINED HEREIN IS THE PROPRIETARY PROPERTY OF APPLE COMPUTER, INC. THE POSSESSOR AGREES TO THE FOLLOWING

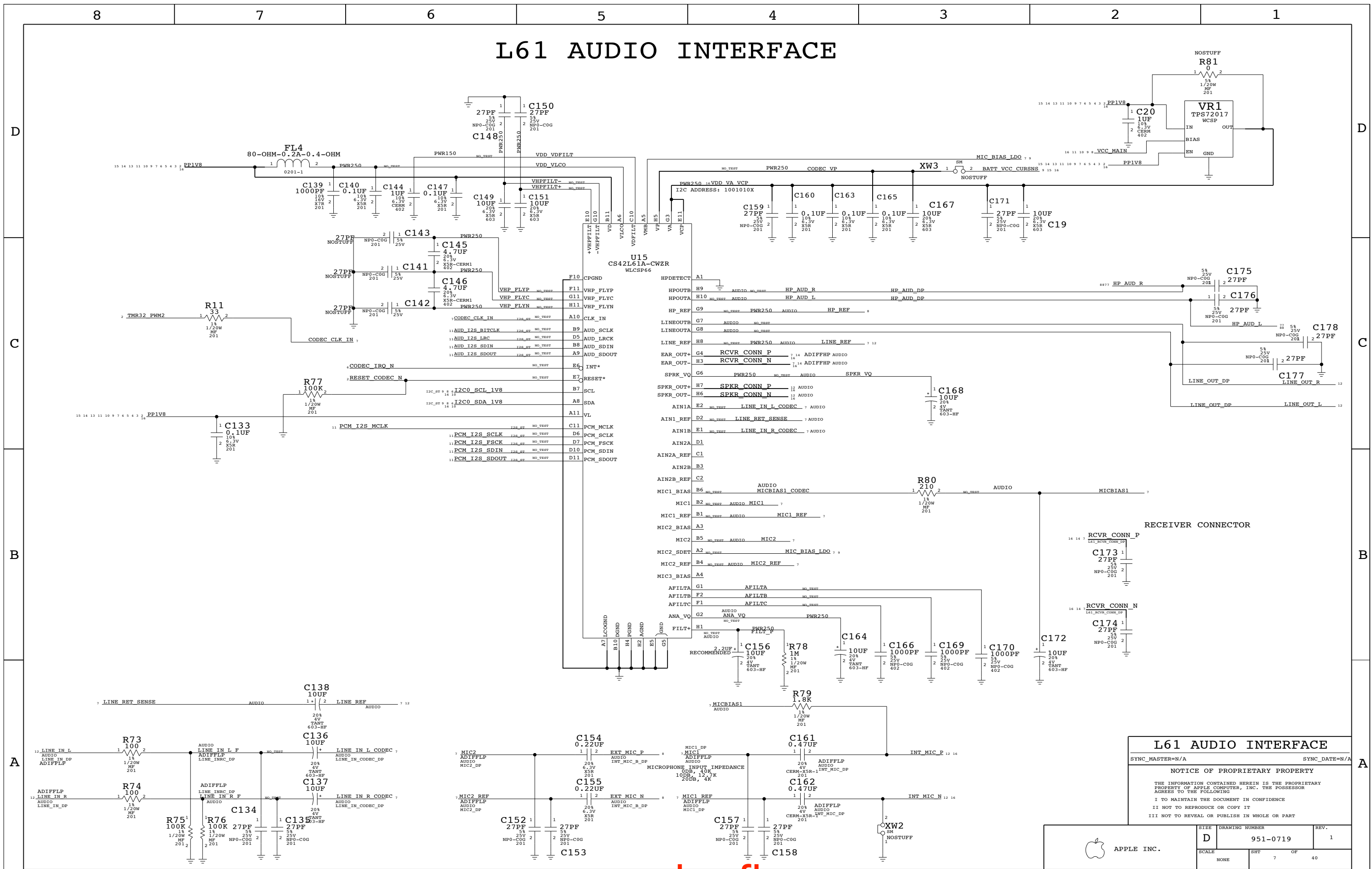
I TO MAINTAIN THE DOCUMENT IN CONFIDENCE

II NOT TO REPRODUCE OR COPY IT

III NOT TO REVEAL OR PUBLISH IN WHOLE OR PART

 APPLE INC.	SIZE	DRAWING NUMBER	REV.
	D	951-0695	1
SCALE	SHT 6 OF 31		
NONE			

L61 AUDIO INTERFACE



L61 AUDIO INTERFACE

SYNC_MASTER=N/A SYNC_DATE=N/A

NOTICE OF PROPRIETARY PROPERTY

THE INFORMATION CONTAINED HEREIN IS THE PROPRIETARY PROPERTY OF APPLE COMPUTER, INC. THE POSSESSOR AGREES TO THE FOLLOWING:
 I TO MAINTAIN THE DOCUMENT IN CONFIDENCE
 II NOT TO REPRODUCE OR COPY IT
 III NOT TO REVEAL OR PUBLISH IN WHOLE OR PART

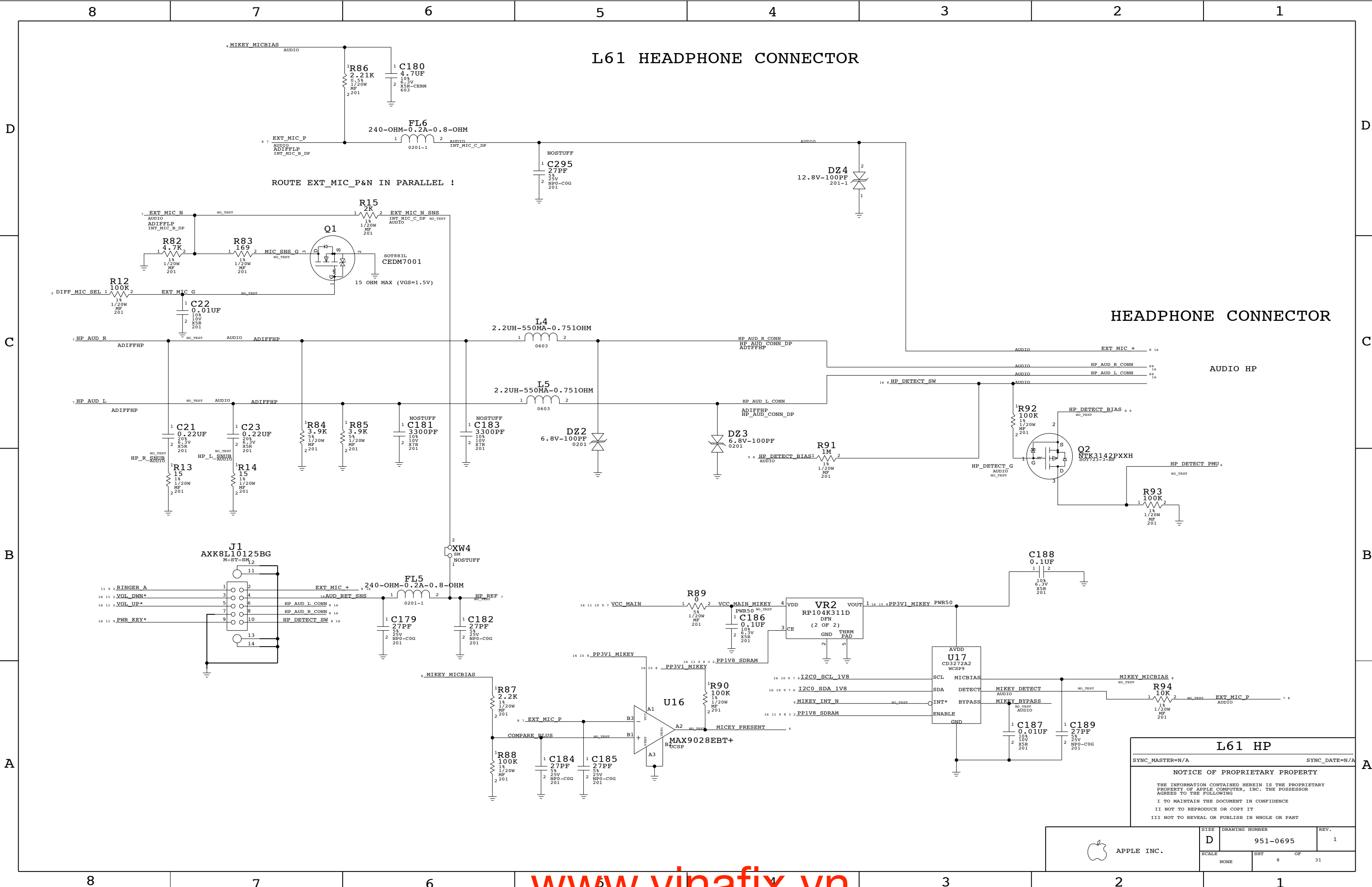


SIZE	DRAWING NUMBER	REV.
D	951-0719	1
SCALE	SHT	OF
NONE	7	40

L61 HEADPHONE CONNECTOR

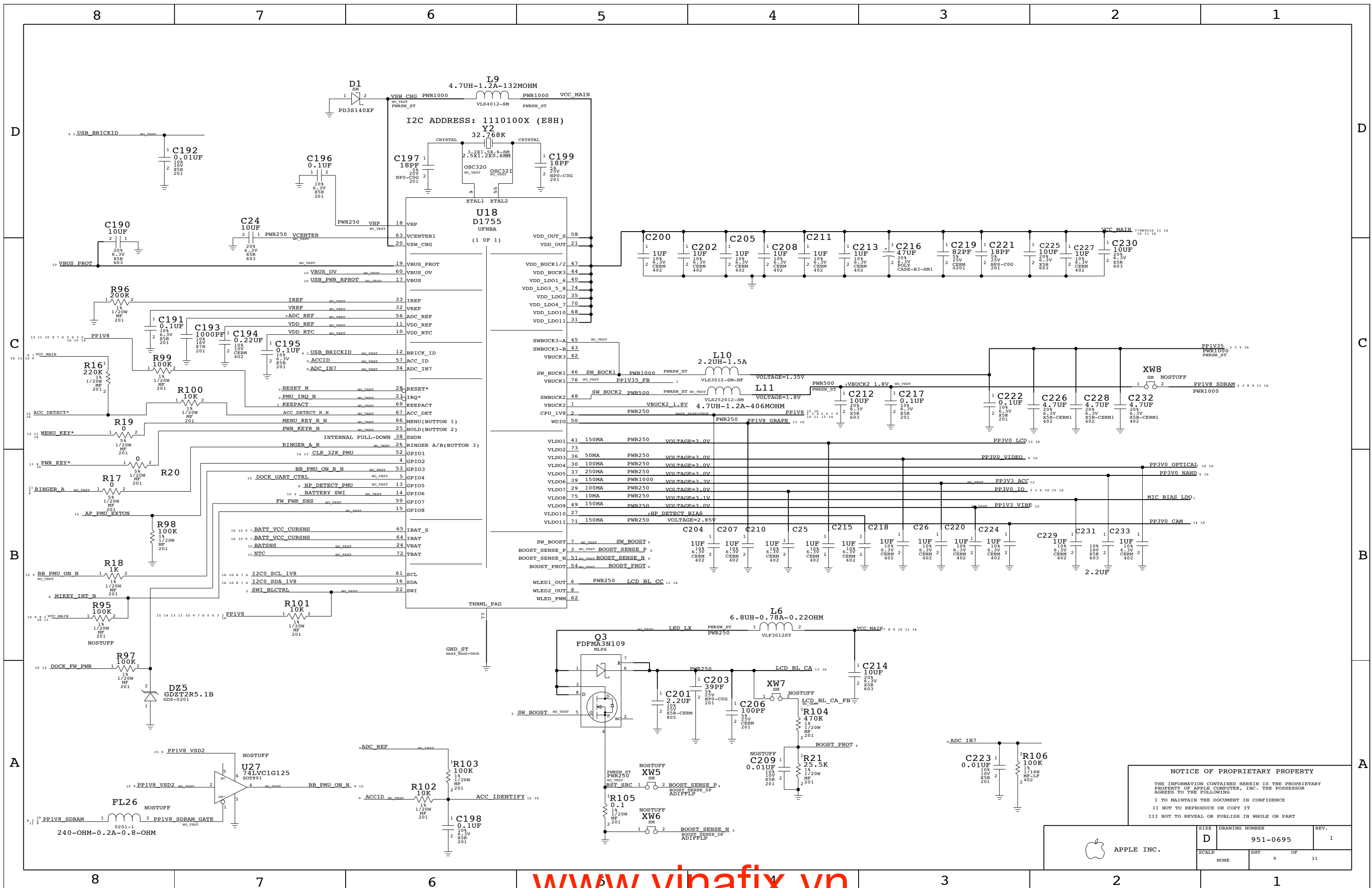
HEADPHONE CONNECTOR

ROUTE EXT_MIC_P&N IN PARALLEL !



L61 HP
 SYNC_MASTER=N/A SYNC_DATE=N/A
NOTICE OF PROPRIETARY PROPERTY
 THE INFORMATION CONTAINED HEREIN IS THE PROPRIETARY PROPERTY OF APPLE COMPUTER, INC. THE POSSESSOR AGREES TO THE FOLLOWING
 I TO MAINTAIN THE DOCUMENT IN CONFIDENCE
 II NOT TO REPRODUCE OR COPY IT
 III NOT TO REVEAL OR PUBLISH IN WHOLE OR PART

	SIZE	DRAWING NUMBER	REV.
	D	951-0695	1
SCALE	SHT 8 OF 31		



NOTICE OF PROPRIETARY PROPERTY

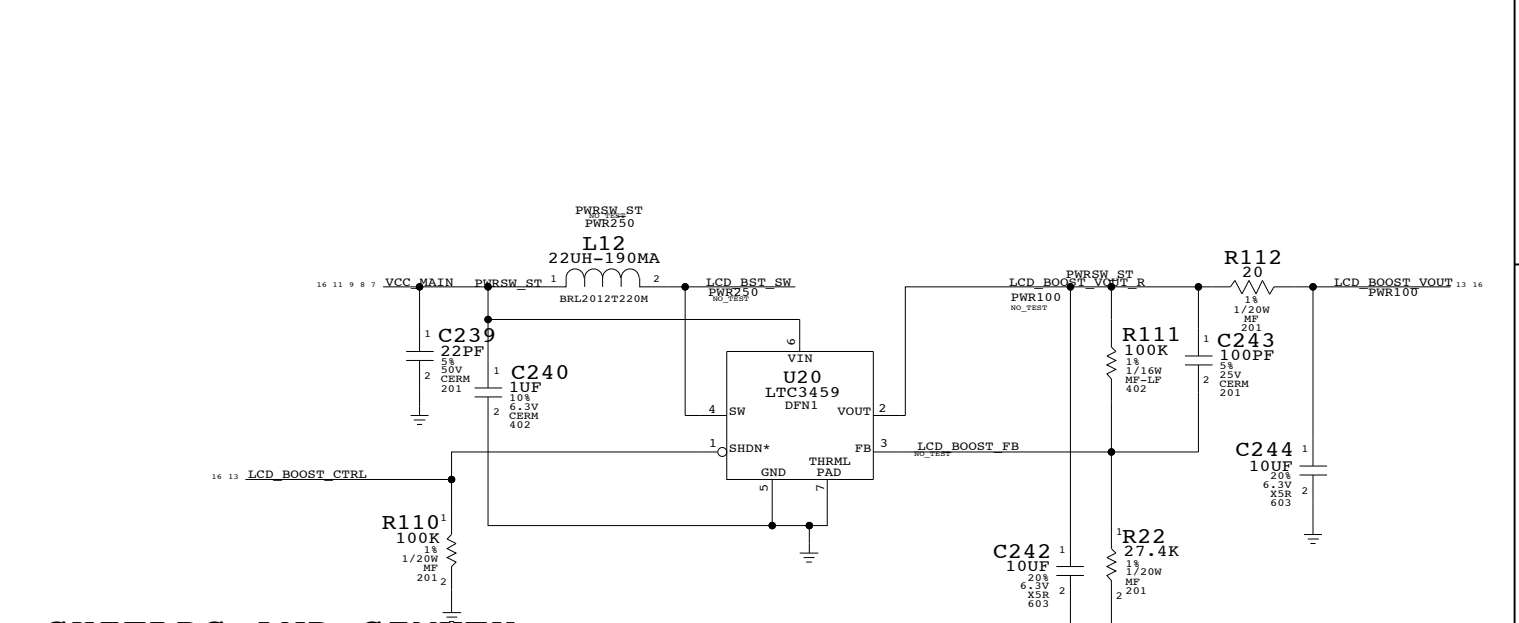
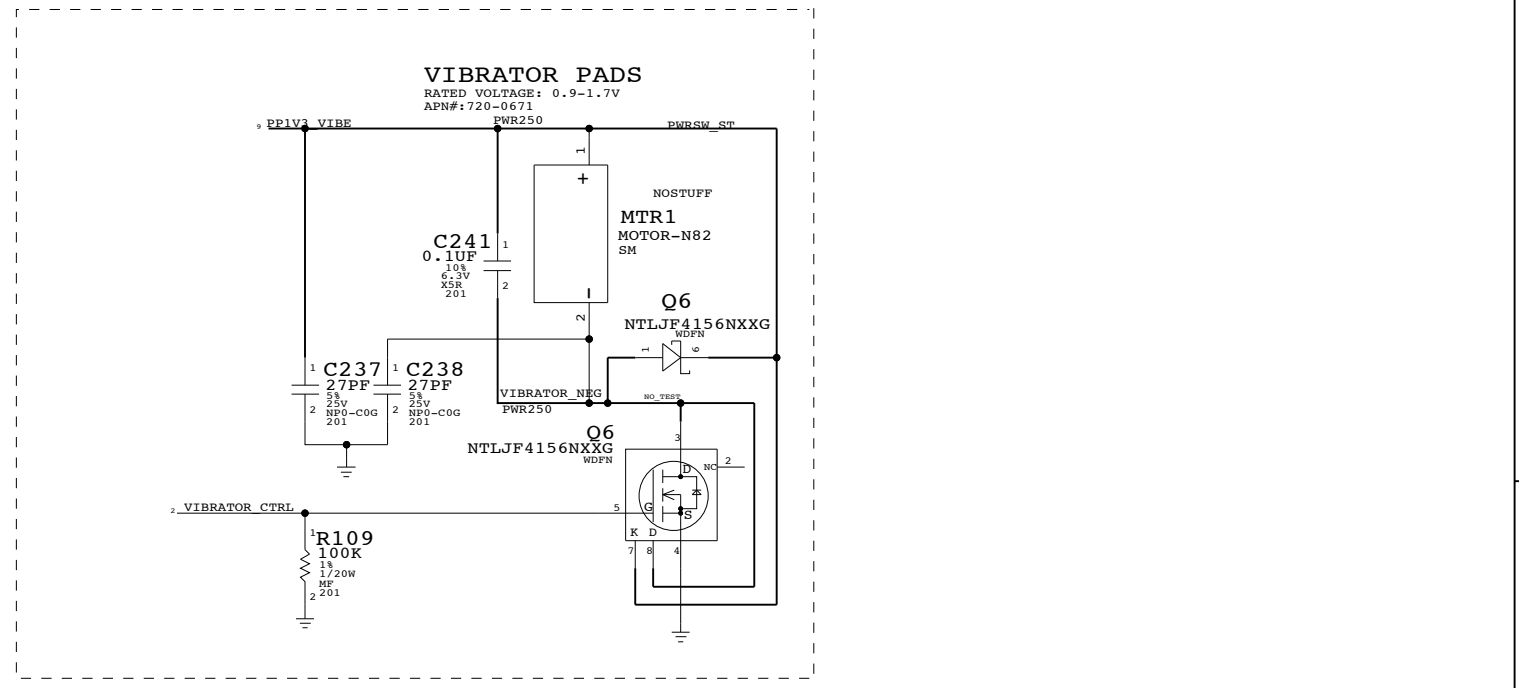
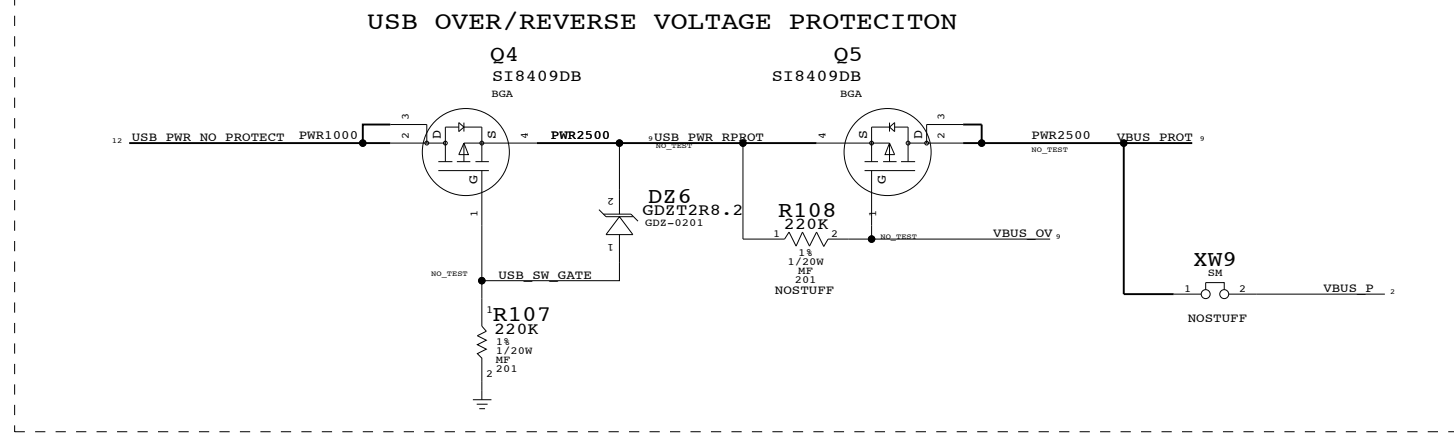
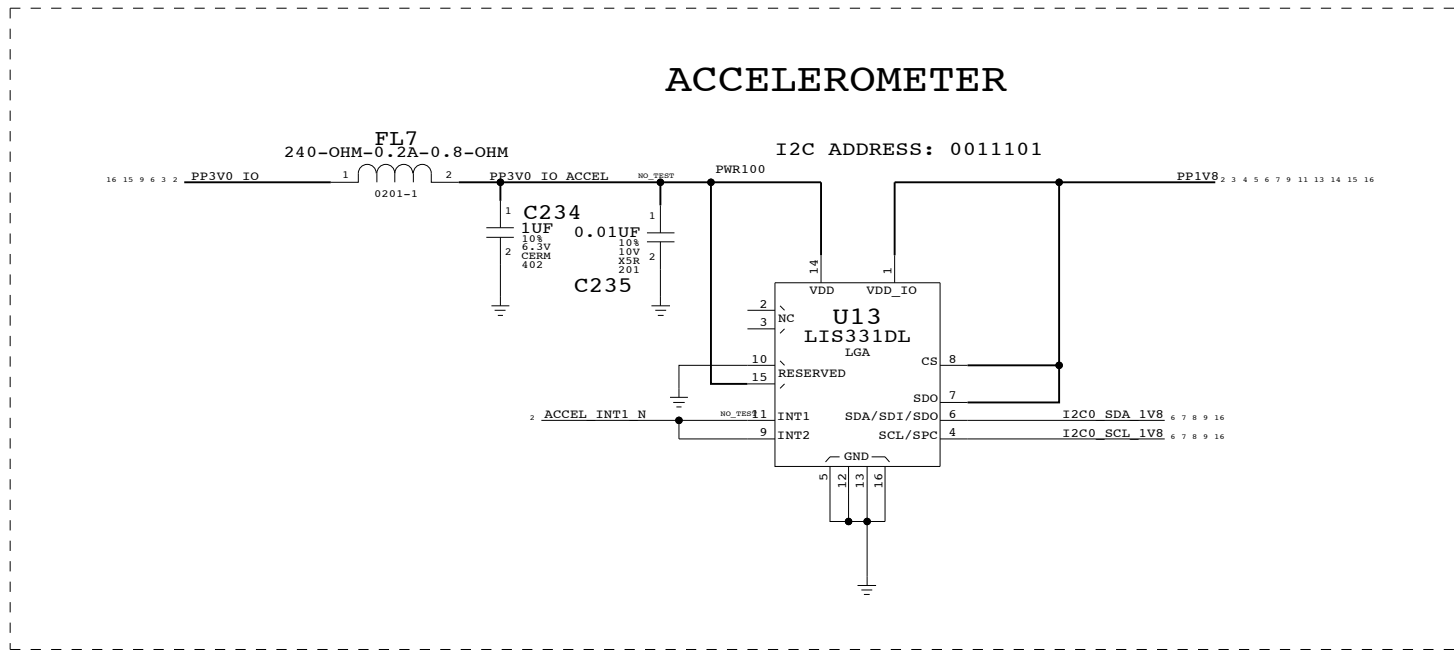
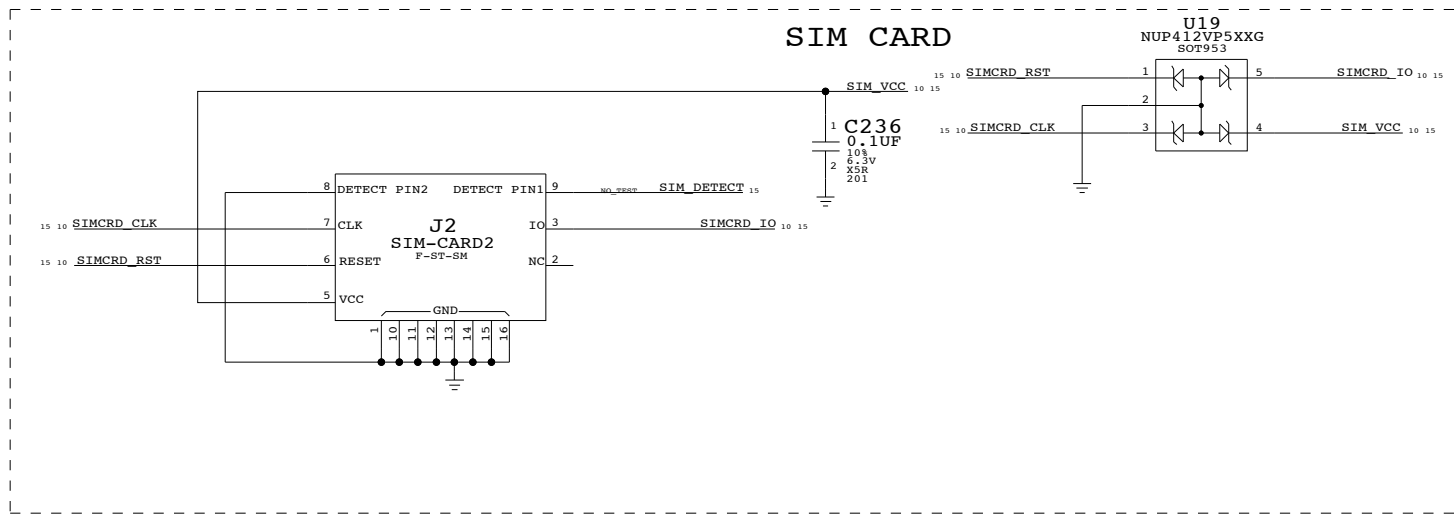
THE INFORMATION CONTAINED HEREIN IS THE PROPRIETARY PROPERTY OF APPLE COMPUTER, INC. THE POSSESSOR AGREES TO THE FOLLOWING

I TO MAINTAIN THE DOCUMENT IN CONFIDENCE

II NOT TO REPRODUCE OR COPY IT

III NOT TO REVEAL OR PUBLISH IN WHOLE OR PART

APPLE INC.	SIZE	DRAWING NUMBER	REV.
	D	951-0695	1
SCALE	SHT	OF	31
NONE	9		



SIM, ACCEL, VIBE

SYNC_MASTER=N/A SYNC_DATE=N/A

NOTICE OF PROPRIETARY PROPERTY

THE INFORMATION CONTAINED HEREIN IS THE PROPRIETARY PROPERTY OF APPLE COMPUTER, INC. THE POSSESSOR AGREES TO THE FOLLOWING

I TO MAINTAIN THE DOCUMENT IN CONFIDENCE

II NOT TO REPRODUCE OR COPY IT

III NOT TO REVEAL OR PUBLISH IN WHOLE OR PART

APPLE INC.	SIZE	DRAWING NUMBER	REV.
	D	951-0719	1
SCALE	SHT 10 OF 25		
NONE			

8

7

6

5

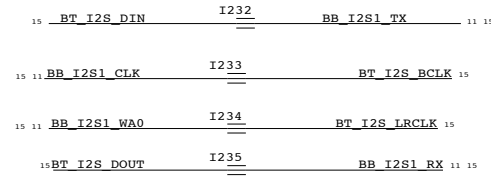
4

3

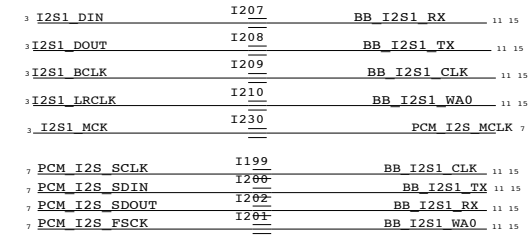
2

1

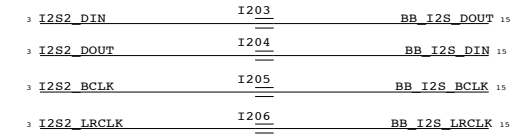
VOICE I2S TO BT



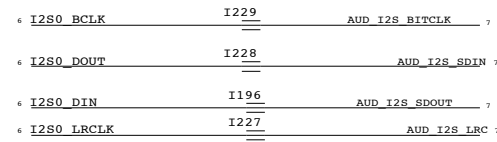
VOICE I2S AP/BB/CODEC



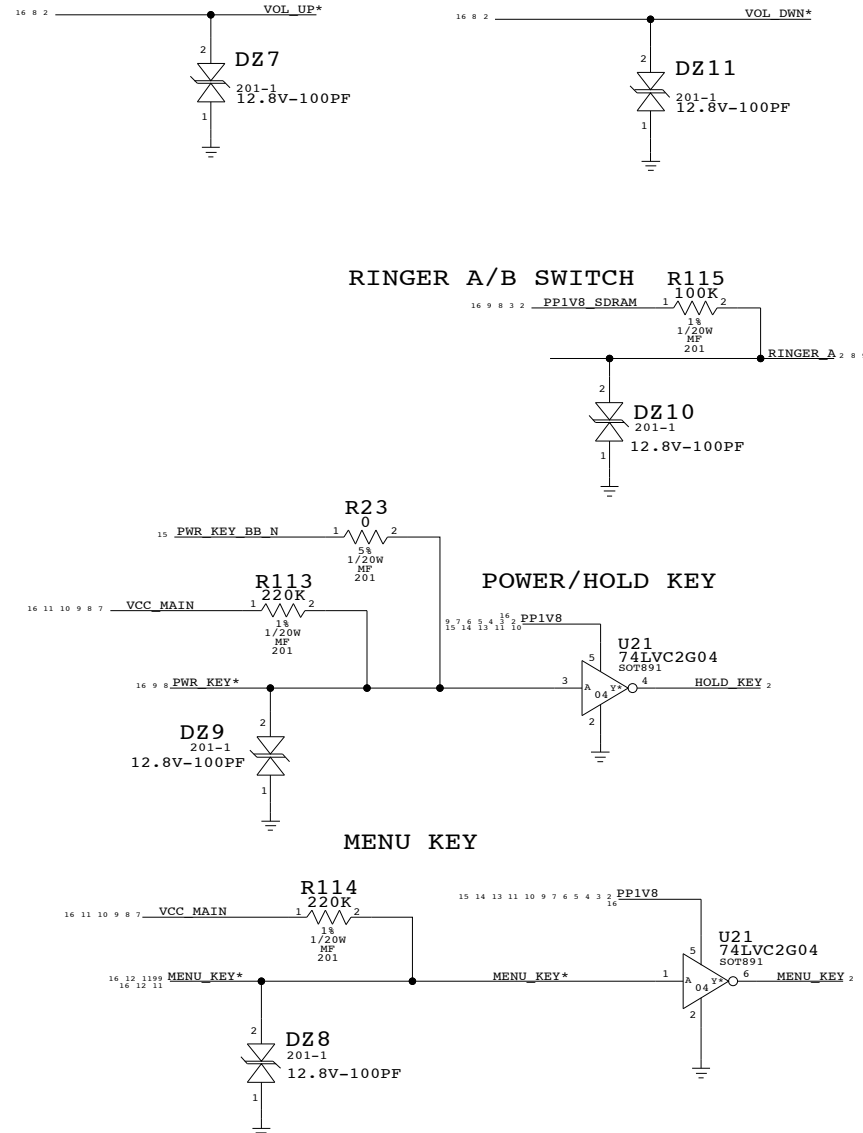
AP TO BB SIDETONE I2S



AP MULTIMEDIA I2S TO CODEC



VOLUME SWITCHES



INTERFACE ASSIGNMENTS

SYNC_MASTER=N/A SYNC_DATE=N/A

NOTICE OF PROPRIETARY PROPERTY

THE INFORMATION CONTAINED HEREIN IS THE PROPRIETARY PROPERTY OF APPLE COMPUTER, INC. THE POSSESSOR AGREES TO THE FOLLOWING

I TO MAINTAIN THE DOCUMENT IN CONFIDENCE

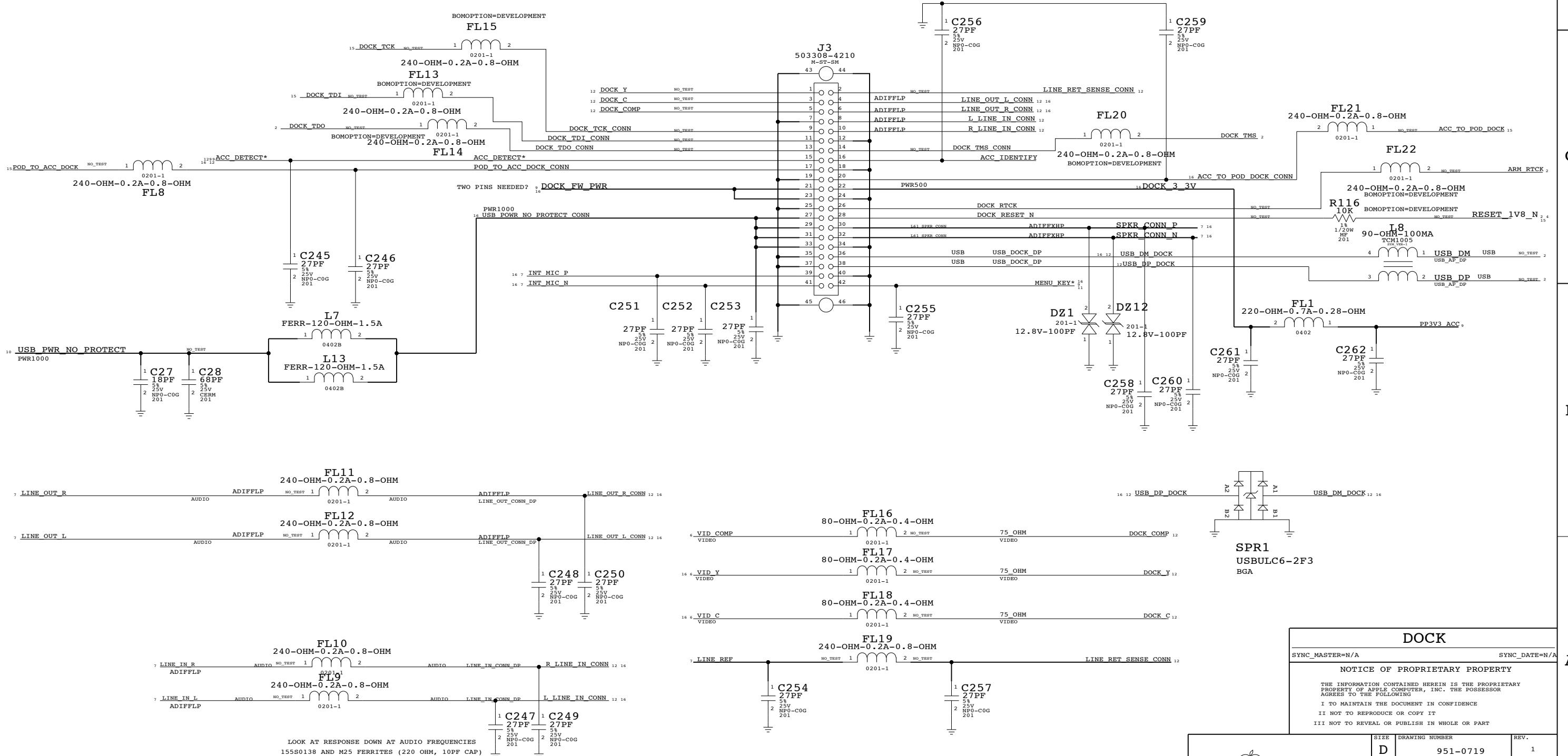
II NOT TO REPRODUCE OR COPY IT

III NOT TO REVEAL OR PUBLISH IN WHOLE OR PART



SIZE	DRAWING NUMBER	REV.
D	951-0719	1
SCALE	SHT	OF
NONE	11	25

DOCK CONNECTOR



LOOK AT RESPONSE DOWN AT AUDIO FREQUENCIES
155S0138 AND M25 FERRITES (220 OHM, 10PF CAP)

DOCK

SYNC_MASTER=N/A SYNC_DATE=N/A

NOTICE OF PROPRIETARY PROPERTY

THE INFORMATION CONTAINED HEREIN IS THE PROPRIETARY PROPERTY OF APPLE COMPUTER, INC. THE POSSESSOR AGREES TO THE FOLLOWING

I TO MAINTAIN THE DOCUMENT IN CONFIDENCE

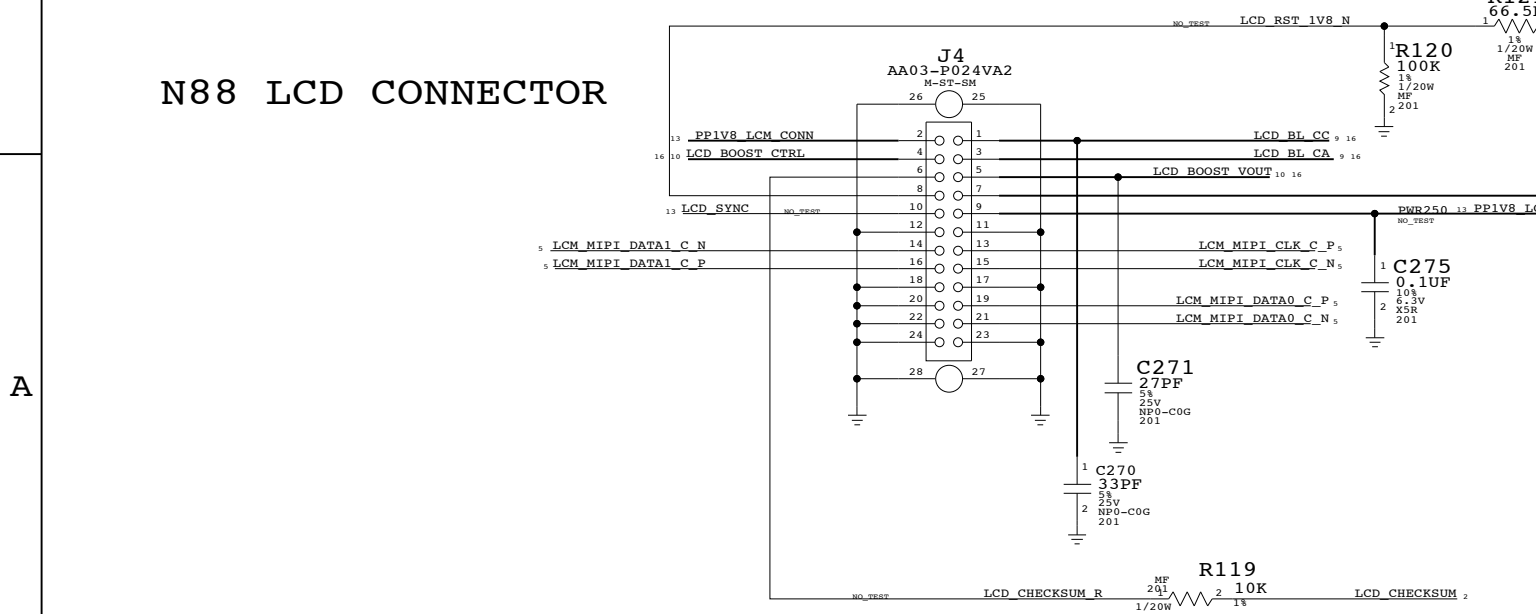
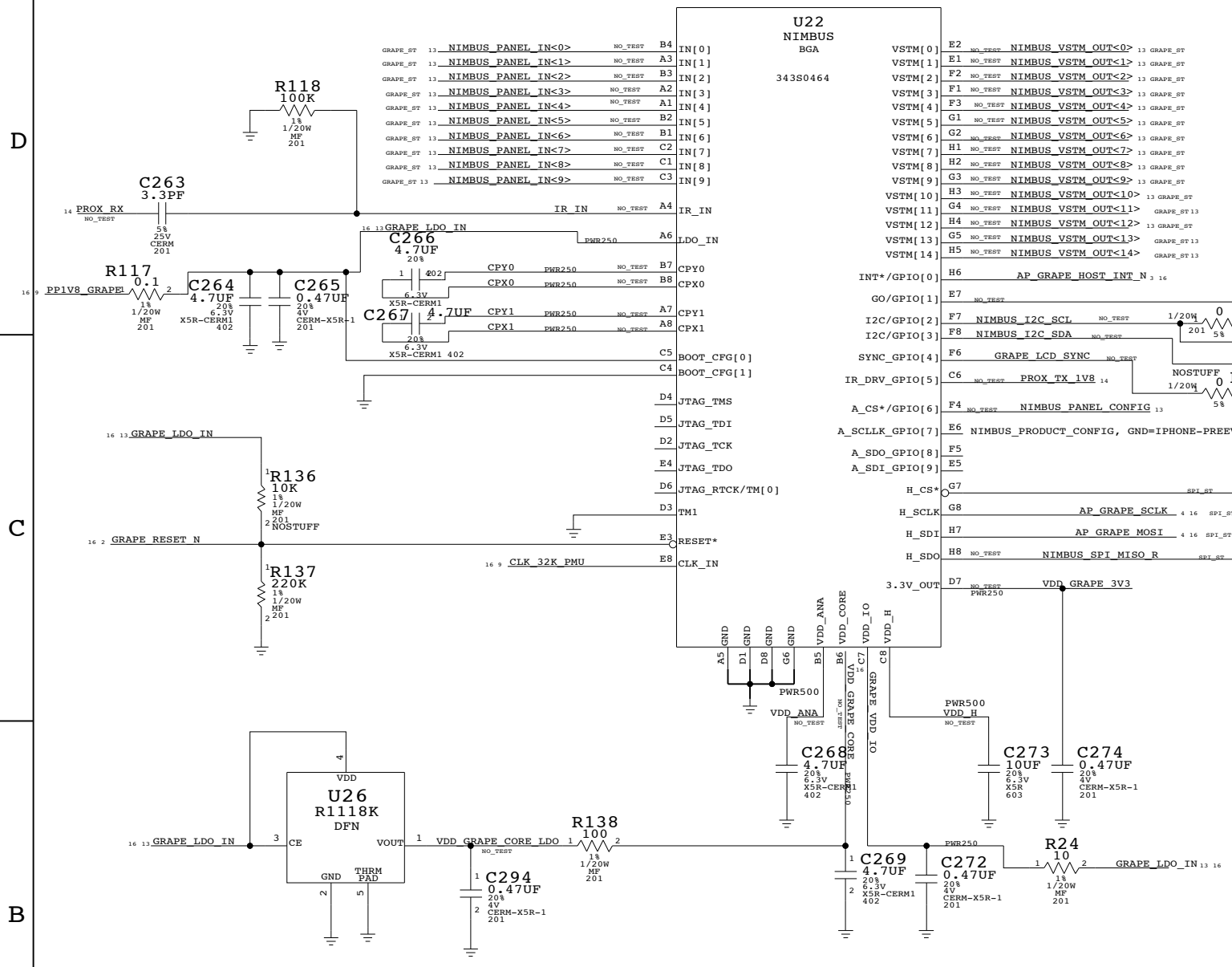
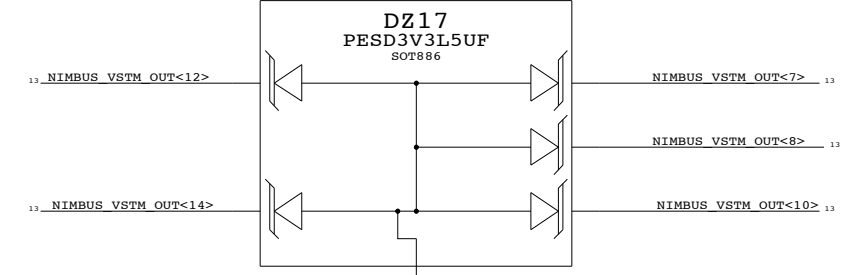
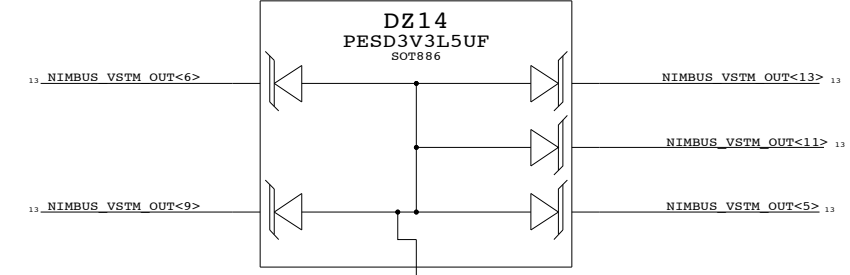
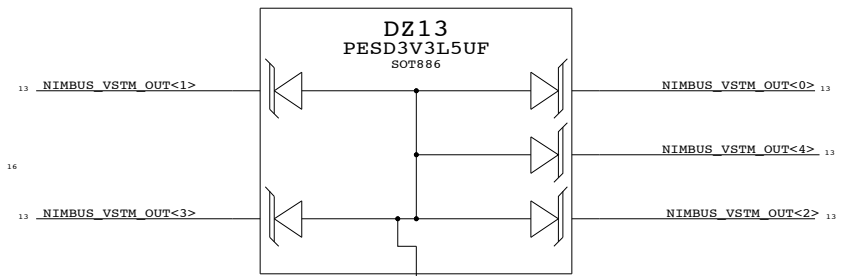
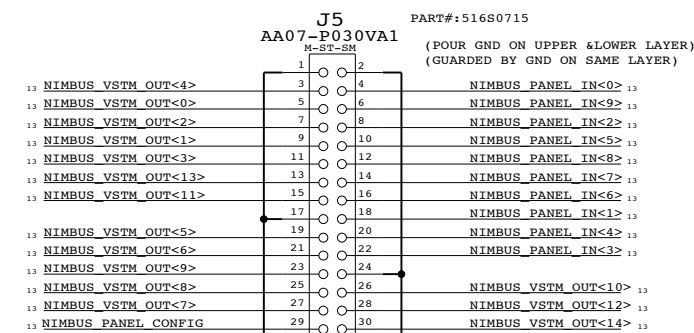
II NOT TO REPRODUCE OR COPY IT

III NOT TO REVEAL OR PUBLISH IN WHOLE OR PART

 APPLE INC.	SIZE	DRAWING NUMBER	REV.
	D	951-0719	1
SCALE	SHT	OF	REV.
NONE	12	25	

NIMBUS

GRAPE CONNECTOR N88 NIMBUS CONNECTOR



NIMBUS

SYNC_MASTER=N/A SYNC_DATE=N/A

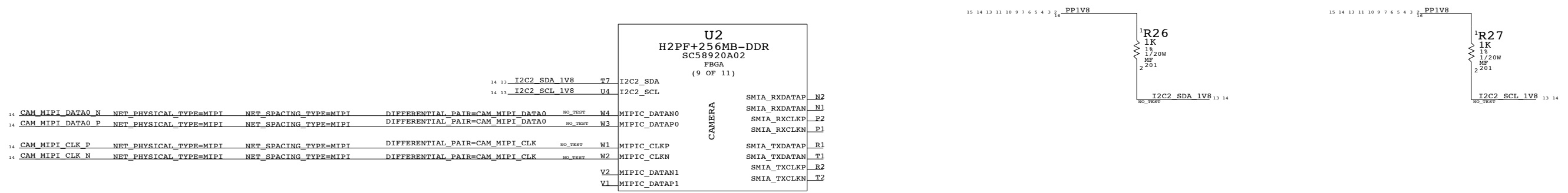
NOTICE OF PROPRIETARY PROPERTY

THE INFORMATION CONTAINED HEREIN IS THE PROPRIETARY PROPERTY OF APPLE COMPUTER, INC. THE POSSESSOR AGREES TO THE FOLLOWING

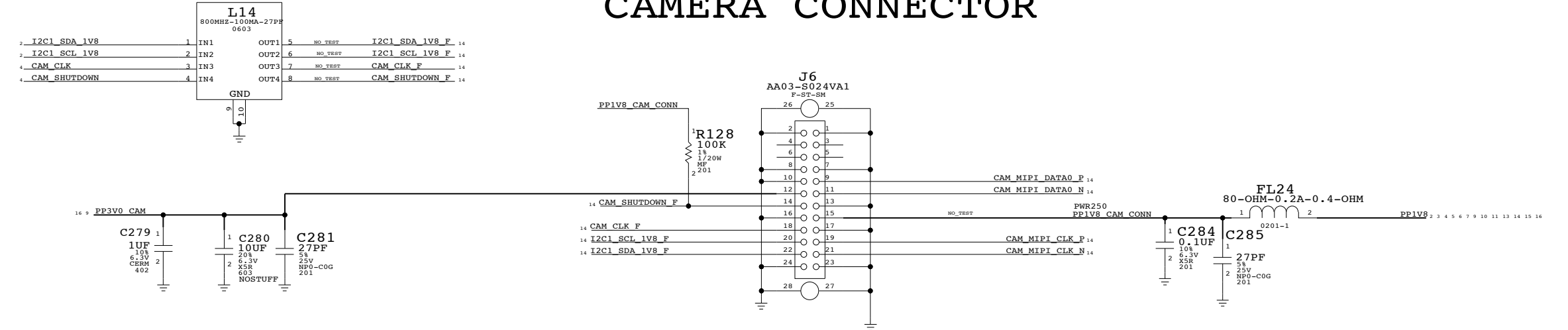
I TO MAINTAIN THE DOCUMENT IN CONFIDENCE
 II NOT TO REPRODUCE OR COPY IT
 III NOT TO REVEAL OR PUBLISH IN WHOLE OR PART

APPLE INC.	SIZE	DRAWING NUMBER	REV.
	D	951-0719	1
SCALE	SHT	OF	25
NONE	13		

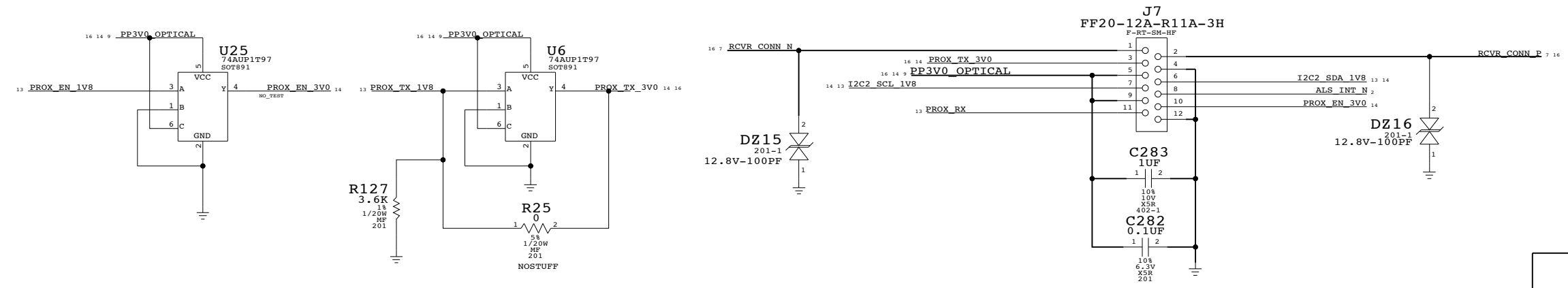
CAMERA INTERFACE



CAMERA CONNECTOR



ALS/PROX



CAMERA

SYNC_MASTER=N/A SYNC_DATE=N/A

NOTICE OF PROPRIETARY PROPERTY

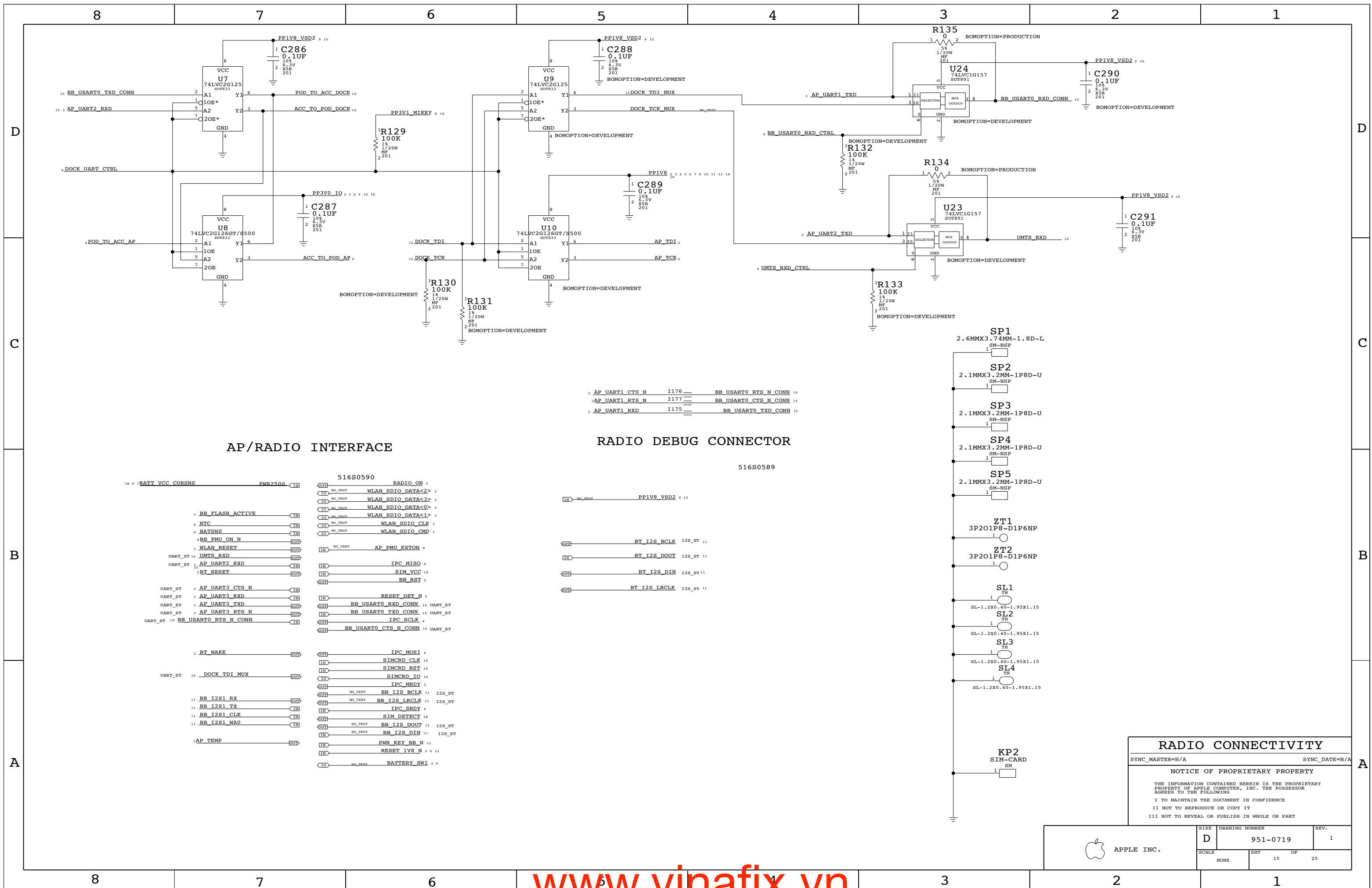
THE INFORMATION CONTAINED HEREIN IS THE PROPRIETARY PROPERTY OF APPLE COMPUTER, INC. THE POSSESSOR AGREES TO THE FOLLOWING

I TO MAINTAIN THE DOCUMENT IN CONFIDENCE

II NOT TO REPRODUCE OR COPY IT

III NOT TO REVEAL OR PUBLISH IN WHOLE OR PART

APPLE INC.	SIZE	DRAWING NUMBER	REV.
	D	951-0719	1
SCALE	SHT 14 OF 25		



AP/RADIO INTERFACE

16	BATT_VCC_CURSNS	PWR2500	IN
3	BB_FLASH_ACTIVE		IN
9	NTC		IN
9	BATSNS		IN
9	BB_PMU_ON_N		IN
3	WLAN_RESET		OUT
UMTS_ST	UMTS_RXD		OUT
UMTS_ST	AP_UART2_RXD		IN
UMTS_ST	BT_RESET		OUT
UMTS_ST	AP_UART3_CTS_N		IN
UMTS_ST	AP_UART3_RXD		IN
UMTS_ST	AP_UART3_TXD		OUT
UMTS_ST	AP_UART3_RTS_N		OUT
UMTS_ST	BB_USART0_RTS_N_CONN		IN
2	BT_WAKE		OUT
UMTS_ST	DOCK_TDI_MUX		OUT
11	BB_I2S1_RX		OUT
11	BB_I2S1_TX		IN
11	BB_I2S1_CLK		IN
11	BB_I2S1_WA0		IN
AP	TEMP		OUT

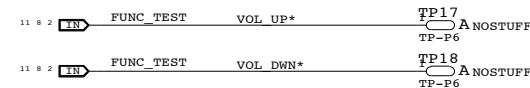
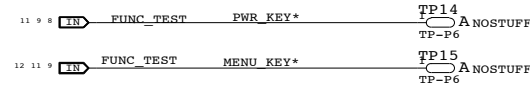
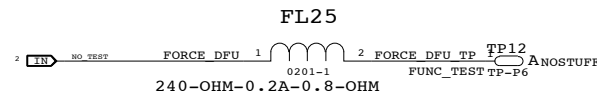
RADIO DEBUG CONNECTOR

3	AP_UART1_CTS_N	I176	BB_USART0_RTS_N_CONN	15
AP	UART1_RTS_N	I177	BB_USART0_CTS_N_CONN	15
3	AP_UART1_RXD	I175	BB_USART0_TXD_CONN	15

RADIO CONNECTIVITY	
SYNC_MASTER=N/A	SYNC_DATE=N/A
NOTICE OF PROPRIETARY PROPERTY	
THE INFORMATION CONTAINED HEREIN IS THE PROPRIETARY PROPERTY OF APPLE COMPUTER, INC. THE POSSESSOR AGREES TO THE FOLLOWING	
I TO MAINTAIN THE DOCUMENT IN CONFIDENCE	
II NOT TO REPRODUCE OR COPY IT	
III NOT TO REVEAL OR PUBLISH IN WHOLE OR PART	

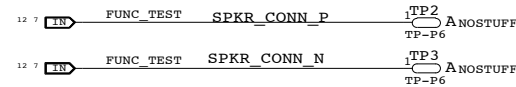
APPLE INC.	SIZE	DRAWING NUMBER	REV.
	D	951-0719	1
SCALE	SHT		OF
NONE	15		25

GPIO

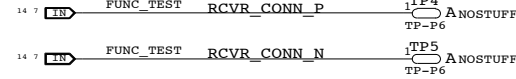


AUDIO

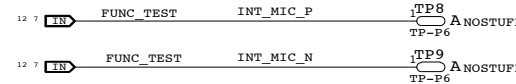
SPEAKER



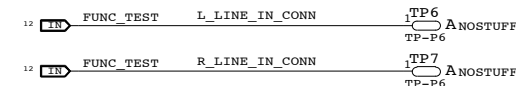
RECEIVER



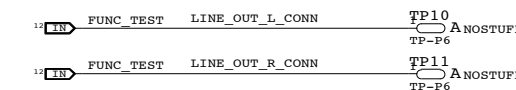
MIC



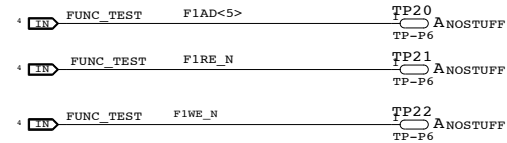
LINE IN



LINE OUT



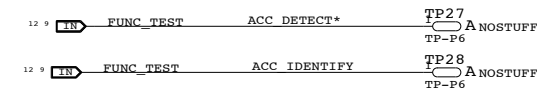
NAND



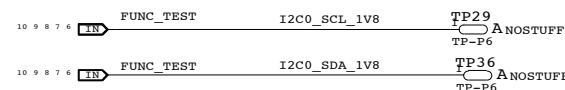
CLOCKS



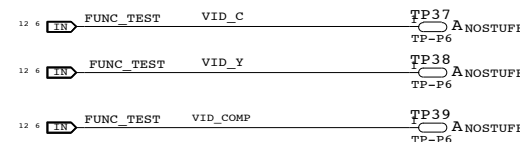
ACCESSORY DETECT



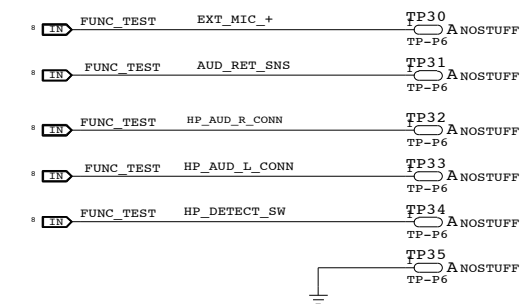
I2C PINS



VIDEO

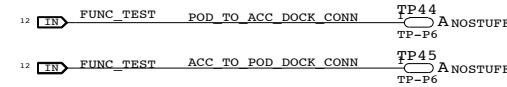


HEADPHONE

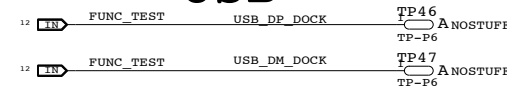


TEST POINTS

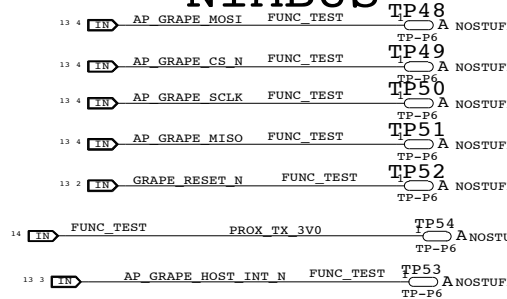
UART



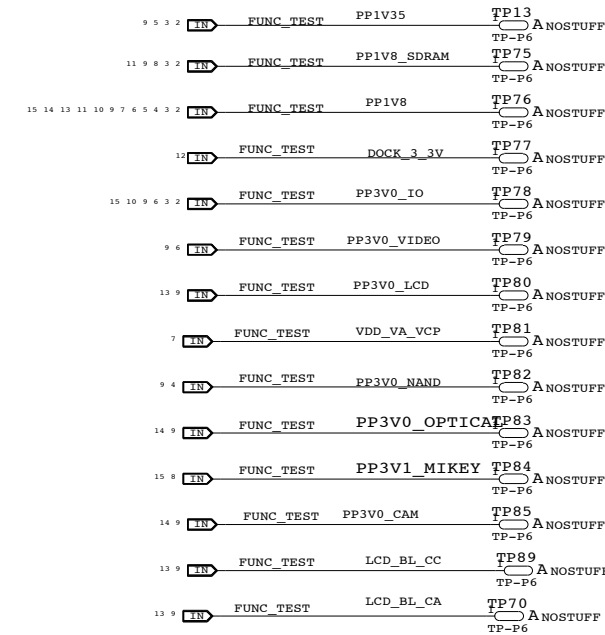
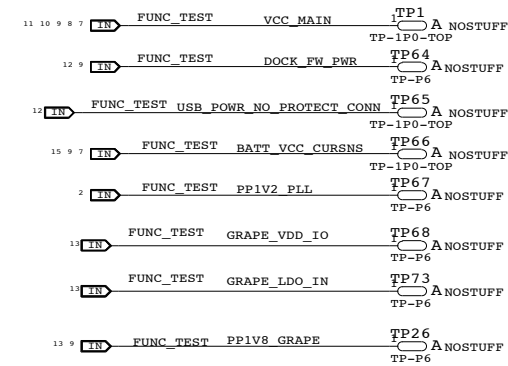
USB



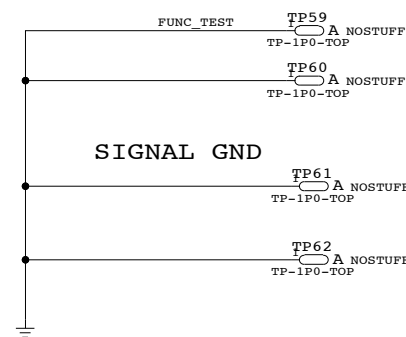
NIMBUS



POWER



POWER GND



SIGNAL GND

PROX, ALS

SYNC_MASTER=N/A SYNC_DATE=N/A

NOTICE OF PROPRIETARY PROPERTY

THE INFORMATION CONTAINED HEREIN IS THE PROPRIETARY PROPERTY OF APPLE COMPUTER, INC. THE POSSESSOR AGREES TO THE FOLLOWING

I TO MAINTAIN THE DOCUMENT IN CONFIDENCE

II NOT TO REPRODUCE OR COPY IT

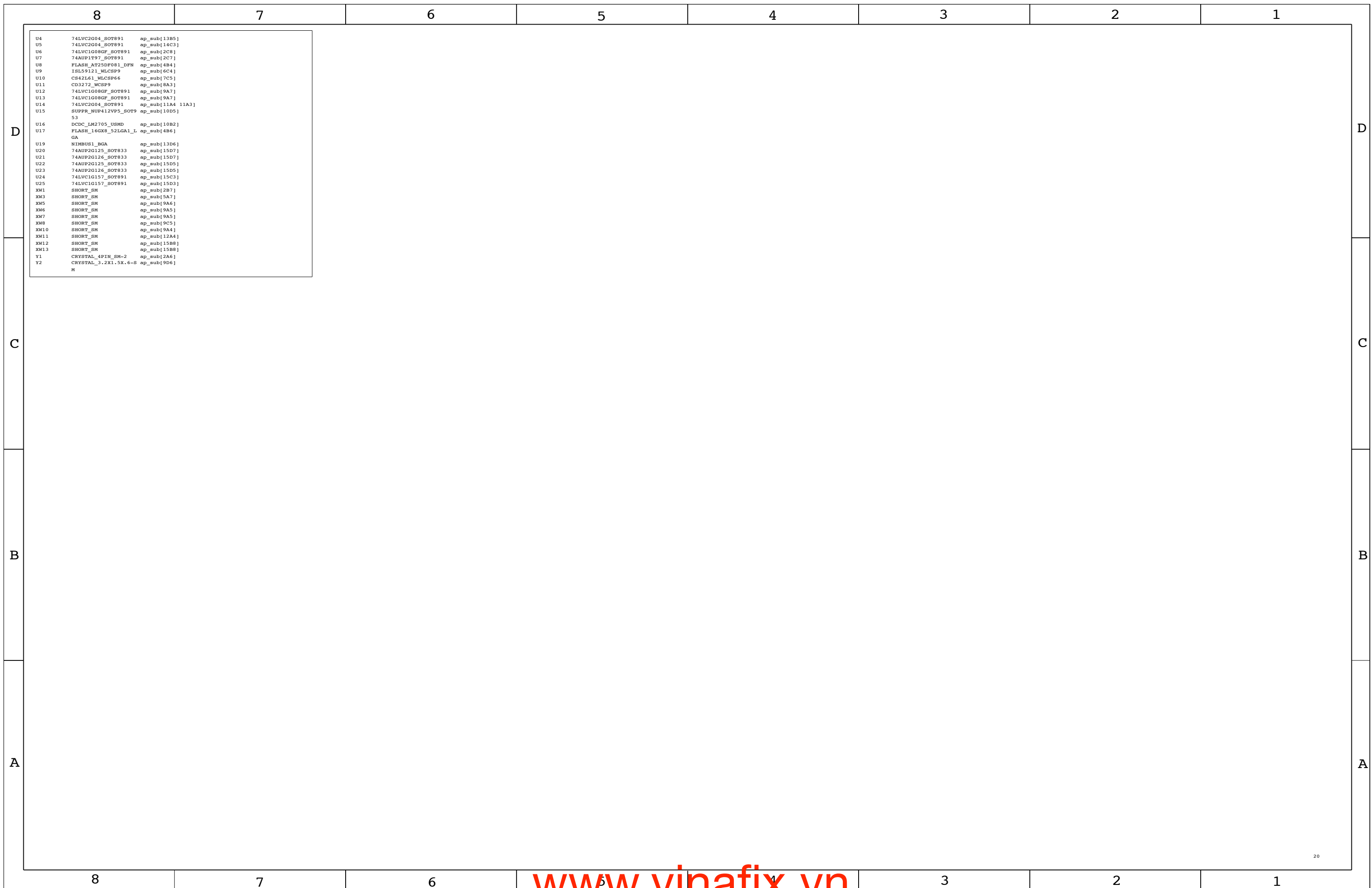
III NOT TO REVEAL OR PUBLISH IN WHOLE OR PART

APPLE INC.	SIZE	DRAWING NUMBER	REV.
	D	951-0719	1
SCALE	SHT		OF
NONE	16		25

8	7	6	5	4	3	2	1
<p>Title: Basenet Report Design: ap_sub Date: Feb 8 8:37:44 2008</p> <p>Base nets and synonyms for ap_sub_lib.AP.SUB(@ap_sub_lib.ap_sub(sch_1)) Base Signal Synonyms Location((Zone) (dir))</p>		<p>12S1_LRCLK - @ap_sub_lib.AP.SUB 3C5 11D5 VOICE_I2S_FSCK - @ap_sub_lib.AP.SUB 7B6 11C5 11D4 12S1_LRCLK - @ap_sub_lib.AP.SUB 3C5 11D5 BT_RESET - @ap_sub_lib.AP.SUB 3C5 15B7 BT_UART_CTS_N - @ap_sub_lib.AP.SUB 15B7 15C6 AP_UART3_RTS_N - @ap_sub_lib.AP.SUB 3C5 15C7 BT_UART_RTS_N - @ap_sub_lib.AP.SUB 15B7 15C6 AP_UART3_CTS_N - @ap_sub_lib.AP.SUB 3C5 15C7 BT_UART_RXD - @ap_sub_lib.AP.SUB 15B7 15C6 AP_UART3_TXD - @ap_sub_lib.AP.SUB 3C5 15C7 15C7 GPS_UART_RX - @ap_sub_lib.AP.SUB 15B5 15C6 AP_UART3_TXD - @ap_sub_lib.AP.SUB 3C5 15C7 15C7 BT_UART_TXD - @ap_sub_lib.AP.SUB 15B7 15C6 AP_UART3_RXD - @ap_sub_lib.AP.SUB 3C5 15C7 15C7 GPS_UART_TX - @ap_sub_lib.AP.SUB 15B5 15C6 AP_UART3_TXD - @ap_sub_lib.AP.SUB 3C5 15C7 15C7</p>		<p>FOCE1_N - @ap_sub_lib.AP.SUB 4B5 4C6 FOCE2_N - @ap_sub_lib.AP.SUB 4B5 4C6 FOCE3_N - @ap_sub_lib.AP.SUB 4B5 4C6 FOCE4_N - @ap_sub_lib.AP.SUB 4D6 FOCE5_N - @ap_sub_lib.AP.SUB 4D6 FOCE6_N - @ap_sub_lib.AP.SUB 4D6 FOCE7_N - @ap_sub_lib.AP.SUB 4D6 FOCE8 - @ap_sub_lib.AP.SUB 4A5 4C6 FORDYBSV0_N - @ap_sub_lib.AP.SUB 4A5 4D6 FORDYBSV1_N - @ap_sub_lib.AP.SUB 4A5 4D6 FORDYBSV2_N - @ap_sub_lib.AP.SUB 4A5 4D6 FORDYBSV3_N - @ap_sub_lib.AP.SUB 4A5 4D6 FORDYBSV4_N - @ap_sub_lib.AP.SUB 4A5 4C6 FOWE_N - @ap_sub_lib.AP.SUB 4A5 4C6 FOWP_N - @ap_sub_lib.AP.SUB 4A5 4D6 4D6 FILT+ - @ap_sub_lib.AP.SUB 7B4 FLASH_CLK - @ap_sub_lib.AP.SUB 4A4 4C1 SPI0_SCLK - @ap_sub_lib.AP.SUB 2C3 4C2 FLASH_CS_N - @ap_sub_lib.AP.SUB 4B1 4C1 SPI0_CS_N - @ap_sub_lib.AP.SUB 2C3 4C2 FLASH_CTRL - @ap_sub_lib.AP.SUB 14C5 FLASH_DIN - @ap_sub_lib.AP.SUB 4A4 4C1 SPI0_MOSI - @ap_sub_lib.AP.SUB 2B3 4C2 FLASH_DOUT - @ap_sub_lib.AP.SUB 4A4 4C1 SPI0_MISO - @ap_sub_lib.AP.SUB 2B3 4C2 FLASH_HOLD* - @ap_sub_lib.AP.SUB 4A4 FLASH_WP* - @ap_sub_lib.AP.SUB 4B4 FORCE_DFU - @ap_sub_lib.AP.SUB 2C2 FSOURCE - @ap_sub_lib.AP.SUB 2B6 FW_PWR_SNS - @ap_sub_lib.AP.SUB 9A8 GND_PMU - @ap_sub_lib.AP.SUB 9A5 GPS_UART_CTS_N - @ap_sub_lib.AP.SUB 15B5 GPS_UART_RTS_N - @ap_sub_lib.AP.SUB 15A5 GRAPE_BOOST_LDO - @ap_sub_lib.AP.SUB 9B1 GRAPE_RESET_N - @ap_sub_lib.AP.SUB 3B5 13C8 GSM_TXBURST_IND_N - @ap_sub_lib.AP.SUB 15B6 @ap_sub_lib.AP.SUB HOLD_KEY - @ap_sub_lib.AP.SUB 3C5 11A3 HP_AUD_L_L61 - @ap_sub_lib.AP.SUB 7C1 7C1 8C8 HP_AUD_L_L61_CONN - @ap_sub_lib.AP.SUB 8C4 HP_AUD_L_L61_RL - @ap_sub_lib.AP.SUB 8C6 HP_AUD_R_L61 - @ap_sub_lib.AP.SUB 7C2 7C2 8C8 HP_AUD_R_L61_CONN - @ap_sub_lib.AP.SUB 8C4 HP_AUD_R_L61_RL - @ap_sub_lib.AP.SUB 8C6 HP_DETECT_FL_L61 - @ap_sub_lib.AP.SUB 8B3 @ap_sub_lib.AP.SUB HP_DETECT_L61_SW - @ap_sub_lib.AP.SUB 8C3 @ap_sub_lib.AP.SUB HP_DETECT_PMU - @ap_sub_lib.AP.SUB 7C3 8C3 9B7 HP_L_SNUB - @ap_sub_lib.AP.SUB 8B7 HP_REF_L61 - @ap_sub_lib.AP.SUB 7C3 8D4 HP_REF_T61 - @ap_sub_lib.AP.SUB 8C5 HP_R_SNUB - @ap_sub_lib.AP.SUB 8B8 I2C0_SCL_V18 - @ap_sub_lib.AP.SUB 5C8 7C6 8A4 8A4 9B7 10B5 I2C0_SDA_V18 - @ap_sub_lib.AP.SUB 5C8 7C6 9B7 10B5 I2C1_SCL_V30 - @ap_sub_lib.AP.SUB 2B1 14B5 16C6 I2C1_SDA_V30 - @ap_sub_lib.AP.SUB 2B1 14B5 16C4 I2S0_MCK_AP - @ap_sub_lib.AP.SUB 3C5 7C7 I2S1_MCK - @ap_sub_lib.AP.SUB 3C5 INTMICH - @ap_sub_lib.AP.SUB 7A4 INTMICH_P - @ap_sub_lib.AP.SUB 7A3 12B6 INT_MISO - @ap_sub_lib.AP.SUB 7A3 12B6 IPC_MISO - @ap_sub_lib.AP.SUB 4C1 15B6 SPI2_MISO - @ap_sub_lib.AP.SUB 4C2 IPC_MRDI - @ap_sub_lib.AP.SUB 3C5 15A6 IPC_SCLK - @ap_sub_lib.AP.SUB 4C1 15B6 IPC_SRDY - @ap_sub_lib.AP.SUB 4C1 15A6 SPI2_CS_N - @ap_sub_lib.AP.SUB 4C2 IREF - @ap_sub_lib.AP.SUB 9C7 IR_IN - @ap_sub_lib.AP.SUB 13D7 KEEPACT - @ap_sub_lib.AP.SUB 9C7 L61_LINE_IN_L - @ap_sub_lib.AP.SUB 7A6 7C4 L61_LINE_IN_L_F - @ap_sub_lib.AP.SUB 7A7 @ap_sub_lib.AP.SUB L61_LINE_IN_R - @ap_sub_lib.AP.SUB 7A6 7B4 L61_LTRN_IN_R_F - @ap_sub_lib.AP.SUB 7A7 @ap_sub_lib.AP.SUB L61_SPKR_CONN_N - @ap_sub_lib.AP.SUB 7B8 7C4 12C2 @ap_sub_lib.AP.SUB L61_SPKR_CONN_P - @ap_sub_lib.AP.SUB 7B8 7C4 12C2</p>		<p>LINEOUT_R_F - @ap_sub_lib.AP.SUB 12B8 LINE_IN_L - @ap_sub_lib.AP.SUB 7A8 12A7 LINE_IN_R - @ap_sub_lib.AP.SUB 7A8 12A7 LINE_OUT_L - @ap_sub_lib.AP.SUB 7C1 12A8 LINE_OUT_L_CONN - @ap_sub_lib.AP.SUB 12A5 12C3 @ap_sub_lib.AP.SUB LINE_OUT_R - @ap_sub_lib.AP.SUB 7C1 12B8 LINE_OUT_R_CONN - @ap_sub_lib.AP.SUB 12B5 12C3 @ap_sub_lib.AP.SUB LINE_REF_L61 - @ap_sub_lib.AP.SUB 7C3 12A5 LINE_RET_SENSE_CONN - @ap_sub_lib.AP.SUB 12A2 12C3 @ap_sub_lib.AP.SUB LINE_RET_SENSE_L61 - @ap_sub_lib.AP.SUB 7A8 7C4 @ap_sub_lib.AP.SUB L_LINE_IN_CONN - @ap_sub_lib.AP.SUB 12A5 12C3 MENU_KEN_CONN_N - @ap_sub_lib.AP.SUB 12B4 @ap_sub_lib.AP.SUB MENU_KEY - @ap_sub_lib.AP.SUB 3C5 11A3 MENU_KEY* - @ap_sub_lib.AP.SUB 9B8 11A5 11A5 12B3 MENU_KEY_R_N - @ap_sub_lib.AP.SUB 9C7 MIC1_L61 - @ap_sub_lib.AP.SUB 7A5 7B4 MIC1_REF_L61 - @ap_sub_lib.AP.SUB 7A5 7B4 MIC2_L61 - @ap_sub_lib.AP.SUB 7A6 7B4 MIC2_REF_L61 - @ap_sub_lib.AP.SUB 7A6 7B4 MIC2_SDET - @ap_sub_lib.AP.SUB 7A5 7B4 8A1 8D7 MIC3_BIAS - @ap_sub_lib.AP.SUB 7B4 MICBIAS1_L61 - @ap_sub_lib.AP.SUB 7A4 7B2 7B2 MICBIAS2_L61 - @ap_sub_lib.AP.SUB 7B4 8D7 MICBIAS2_L61_R - @ap_sub_lib.AP.SUB 8D6 MIC_BIAS_LDO - @ap_sub_lib.AP.SUB 7D2 9B2 MIKEY_BYPASS - @ap_sub_lib.AP.SUB 8A2 MIKEY_DETECT - @ap_sub_lib.AP.SUB 8A3 MIKEY_INT_N - @ap_sub_lib.AP.SUB 8A4 9B8 MIKEY_MICBIAS - @ap_sub_lib.AP.SUB 8A2 8D7 MIKE_AVDD - @ap_sub_lib.AP.SUB 8B3 N72_SPI_CS_N - @ap_sub_lib.AP.SUB 5D5 N72_S0 - @ap_sub_lib.AP.SUB 5D5 NIMBUS_A_SCLK - @ap_sub_lib.AP.SUB 13C5 NIMBUS_GPTIO1 - @ap_sub_lib.AP.SUB 13C4 NIMBUS_GPTIO2 - @ap_sub_lib.AP.SUB 13C5 NIMBUS_GPTIO3 - @ap_sub_lib.AP.SUB 13C5 NIMBUS_JTAG_RESET - @ap_sub_lib.AP.SUB 13C3 @ap_sub_lib.AP.SUB NIMBUS_JTAG_RTCK - @ap_sub_lib.AP.SUB 13C1 13C7 13D5 @ap_sub_lib.AP.SUB NIMBUS_JTAG_TCK - @ap_sub_lib.AP.SUB 13C1 13C7 @ap_sub_lib.AP.SUB NIMBUS_JTAG_TDI - @ap_sub_lib.AP.SUB 13C1 13C7 @ap_sub_lib.AP.SUB NIMBUS_JTAG_TDO - @ap_sub_lib.AP.SUB 13C1 13C7 @ap_sub_lib.AP.SUB NIMBUS_JTAG_TMS - @ap_sub_lib.AP.SUB 13C7 @ap_sub_lib.AP.SUB NIMBUS_JTAG_TMS_CONN - @ap_sub_lib.AP.SUB 13C1 @ap_sub_lib.AP.SUB NIMBUS_PANEL_CONFIG - @ap_sub_lib.AP.SUB 13C3 13C5 @ap_sub_lib.AP.SUB NIMBUS_PANEL_IN<0> - @ap_sub_lib.AP.SUB 13D1 13D7 @ap_sub_lib.AP.SUB NIMBUS_PANEL_IN<1> - @ap_sub_lib.AP.SUB 13D1 13D7 @ap_sub_lib.AP.SUB NIMBUS_PANEL_IN<2> - @ap_sub_lib.AP.SUB 13D1 13D7 @ap_sub_lib.AP.SUB NIMBUS_PANEL_IN<3> - @ap_sub_lib.AP.SUB 13D1 13D7 @ap_sub_lib.AP.SUB NIMBUS_PANEL_IN<4> - @ap_sub_lib.AP.SUB 13D1 13D7 @ap_sub_lib.AP.SUB NIMBUS_PANEL_IN<5> - @ap_sub_lib.AP.SUB 13D1 13D7 @ap_sub_lib.AP.SUB NIMBUS_PANEL_IN<6> - @ap_sub_lib.AP.SUB 13D1 13D7 @ap_sub_lib.AP.SUB NIMBUS_PANEL_IN<7> - @ap_sub_lib.AP.SUB 13D1 13D7 @ap_sub_lib.AP.SUB NIMBUS_PANEL_IN<8> - @ap_sub_lib.AP.SUB 13D1 13D7 @ap_sub_lib.AP.SUB NIMBUS_PANEL_IN<9> - @ap_sub_lib.AP.SUB 13D1 13D7 @ap_sub_lib.AP.SUB NIMBUS_SPI_MOSI_R - @ap_sub_lib.AP.SUB 13C5 @ap_sub_lib.AP.SUB NIMBUS_TM<1> - @ap_sub_lib.AP.SUB 13C7 13D5 NIMBUS_TRST_N - @ap_sub_lib.AP.SUB 13C3 NIMBUS_VSTM_OUT<0> - @ap_sub_lib.AP.SUB 13C1 13D5 @ap_sub_lib.AP.SUB NIMBUS_VSTM_OUT<1> - @ap_sub_lib.AP.SUB 13C1 13D5 @ap_sub_lib.AP.SUB NIMBUS_VSTM_OUT<2> - @ap_sub_lib.AP.SUB 13C1 13D5 @ap_sub_lib.AP.SUB NIMBUS_VSTM_OUT<3> - @ap_sub_lib.AP.SUB 13C3 13D5 @ap_sub_lib.AP.SUB NIMBUS_VSTM_OUT<4> - @ap_sub_lib.AP.SUB 13C3 13D5 @ap_sub_lib.AP.SUB NIMBUS_VSTM_OUT<5> - @ap_sub_lib.AP.SUB 13D3 13D5 @ap_sub_lib.AP.SUB NIMBUS_VSTM_OUT<6> - @ap_sub_lib.AP.SUB 13D3 13D5 @ap_sub_lib.AP.SUB NIMBUS_VSTM_OUT<7> - @ap_sub_lib.AP.SUB 13D3 13D5 @ap_sub_lib.AP.SUB NIMBUS_VSTM_OUT<8> - @ap_sub_lib.AP.SUB 13D3 13D5 @ap_sub_lib.AP.SUB NIMBUS_VSTM_OUT<9> - @ap_sub_lib.AP.SUB 13D3 13D5 @ap_sub_lib.AP.SUB NIMBUS_VSTM_OUT<10> - @ap_sub_lib.AP.SUB 13D3 13D5 @ap_sub_lib.AP.SUB NIMBUS_VSTM_OUT<11> - @ap_sub_lib.AP.SUB 13D3 13D5 @ap_sub_lib.AP.SUB NIMBUS_VSTM_OUT<12> - @ap_sub_lib.AP.SUB 13D3 13D5 @ap_sub_lib.AP.SUB NIMBUS_VSTM_OUT<13> - @ap_sub_lib.AP.SUB 13D3 13D5 @ap_sub_lib.AP.SUB NIMBUS_VSTM_OUT<14> - @ap_sub_lib.AP.SUB 13D3 13D5 @ap_sub_lib.AP.SUB NTC - @ap_sub_lib.AP.SUB 9B7 15B7 OSC32I - @ap_sub_lib.AP.SUB 9D6 OSC32O - @ap_sub_lib.AP.SUB 9D6 PMU_IRQ_N - @ap_sub_lib.AP.SUB 5D5 9C7 RGB<23..0> - @ap_sub_lib.AP.SUB 5D5 POD_TO_ACC_AP - @ap_sub_lib.AP.SUB 2C7 15C8 POD_TO_ACC_DOCK - @ap_sub_lib.AP.SUB 12C8 15D6 @ap_sub_lib.AP.SUB POD_TO_ACC_DOCK_CONN - @ap_sub_lib.AP.SUB 12C6 @ap_sub_lib.AP.SUB PPIV3_VIBRE - @ap_sub_lib.AP.SUB 9B2 10D4 PPIV8 - @ap_sub_lib.AP.SUB 2B8 2C2 2C8 2D7 3C1 3D6 3D6 3D8 5B5 5C8 5D6 5D7</p>	
<p>24M_O - @ap_sub_lib.AP.SUB 2A6 ACCEL_INT1_N - @ap_sub_lib.AP.SUB 5D5 10B7 RGB<23..0> - @ap_sub_lib.AP.SUB 5D5 ACCEL_INT2_N - @ap_sub_lib.AP.SUB 5D5 10B7 RGB<23..0> - @ap_sub_lib.AP.SUB 5D5 ACCID - @ap_sub_lib.AP.SUB 9A6 9C7 ACC_DETECT* - @ap_sub_lib.AP.SUB 9C8 12C7 12C7 ACC_DETECT_R_N - @ap_sub_lib.AP.SUB 9C7 ACC_IDENTIFY - @ap_sub_lib.AP.SUB 9A5 12C3 ACC_TO_POD_AP - @ap_sub_lib.AP.SUB 2C7 15D6 ACC_TO_POD_DOCK - @ap_sub_lib.AP.SUB 12C1 15D6 @ap_sub_lib.AP.SUB ACC_TO_POD_DOCK_CONN - @ap_sub_lib.AP.SUB 12C2 @ap_sub_lib.AP.SUB ADC_IN7 - @ap_sub_lib.AP.SUB 9A3 9C7 ADC_REF - @ap_sub_lib.AP.SUB 9A6 9C7 AFILTA - @ap_sub_lib.AP.SUB 7B4 AFILTB - @ap_sub_lib.AP.SUB 7B4 AFILTC - @ap_sub_lib.AP.SUB 7B4 AIN2A - @ap_sub_lib.AP.SUB 7B4 AIN2A_REF - @ap_sub_lib.AP.SUB 7B4 AIN2B - @ap_sub_lib.AP.SUB 7B4 AIN2B_REF - @ap_sub_lib.AP.SUB 7B4 ALS_INT_N - @ap_sub_lib.AP.SUB 2B3 ANA_VO - @ap_sub_lib.AP.SUB 7B4 AP_GRAPE_CS_N - @ap_sub_lib.AP.SUB 4C1 13C4 SP11_CS_N - @ap_sub_lib.AP.SUB 4C2 5B6 @ap_sub_lib.AP.SUB AP_GRAPE_HOST_INT_N - @ap_sub_lib.AP.SUB 3C5 13D5 @ap_sub_lib.AP.SUB AP_GRAPE_MISO - @ap_sub_lib.AP.SUB 4C1 13C5 SP11_MISO - @ap_sub_lib.AP.SUB 4C2 5B6 N72_SPI_DO - @ap_sub_lib.AP.SUB 4C1 AP_GRAPE_MOSI - @ap_sub_lib.AP.SUB 4C1 13C3 SP11_MOSI - @ap_sub_lib.AP.SUB 4C2 5B6 N72_SPI_DI - @ap_sub_lib.AP.SUB 4C1 AP_GRAPE_SCLK - @ap_sub_lib.AP.SUB 4C1 13C5 SP11_SCLK - @ap_sub_lib.AP.SUB 4C2 5B6 N72_SPI_CLK - @ap_sub_lib.AP.SUB 4C1 AP_PMU_EXTON - @ap_sub_lib.AP.SUB 9B8 15B6 AP_TCK - @ap_sub_lib.AP.SUB 2B8 15C5 AP_TDI - @ap_sub_lib.AP.SUB 2B8 15C5 AP_UART1_TXD - @ap_sub_lib.AP.SUB 3C5 15D4 AP_UART2_RXD - @ap_sub_lib.AP.SUB 2C8 15B7 15D8 AP_UART2_RXD_3V0 - @ap_sub_lib.AP.SUB 2B7 @ap_sub_lib.AP.SUB AP_UART2_TXD - @ap_sub_lib.AP.SUB 2C8 15C4 AP_UART2_TXD_3V0 - @ap_sub_lib.AP.SUB 2B7 @ap_sub_lib.AP.SUB ARM_RTCK - @ap_sub_lib.AP.SUB 2B7 12C1 AUD_RET_SNS - @ap_sub_lib.AP.SUB 8D2 AV_RET_SENSE - @ap_sub_lib.AP.SUB 12A5 BATSNS - @ap_sub_lib.AP.SUB 9B7 15B7 BATT_RADIO - @ap_sub_lib.AP.SUB 15B4 BATT_RADIO_N - @ap_sub_lib.AP.SUB 15B8 BATT_RADIO_P - @ap_sub_lib.AP.SUB 15B8 BATT_VCC_CURSNS - @ap_sub_lib.AP.SUB 9B7 15B8 @ap_sub_lib.AP.SUB</p>		<p>CAM_RST - @ap_sub_lib.AP.SUB 14C3 CAM_RST_N - @ap_sub_lib.AP.SUB 14C5 CEATAPI_CLK - @ap_sub_lib.AP.SUB 4D6 CFSB - @ap_sub_lib.AP.SUB 2B6 CLK_32K_GRAPE - @ap_sub_lib.AP.SUB 9A6 13C7 CLK_32K_M2 - @ap_sub_lib.AP.SUB 5C8 9A5 CLK_32K_M2_R - @ap_sub_lib.AP.SUB 9A6 CLK_32K_PMU - @ap_sub_lib.AP.SUB 9A7 9A8 9B7 CODEC_I2S_BCLK - @ap_sub_lib.AP.SUB 7C6 11D4 12S0_BCLK - @ap_sub_lib.AP.SUB 5C8 11D5 CODEC_I2S_DIN - @ap_sub_lib.AP.SUB 7C6 11D4 12S0_DOUT - @ap_sub_lib.AP.SUB 5C8 11D5 CODEC_I2S_DOUT - @ap_sub_lib.AP.SUB 7C6 11D4 12S0_DIN - @ap_sub_lib.AP.SUB 5C8 11D5 CODEC_I2S_LRCLK - @ap_sub_lib.AP.SUB 7C6 11D4 @ap_sub_lib.AP.SUB 12S0_LRCLK - @ap_sub_lib.AP.SUB 5C8 11D5 CODEC_I2S_MCLK - @ap_sub_lib.AP.SUB 7C6 11D4 12S0_MCK - @ap_sub_lib.AP.SUB 5C8 11D5 CODEC_IRQ_N - @ap_sub_lib.AP.SUB 5D5 7C6 9B7 RGB<23..0> - @ap_sub_lib.AP.SUB 5D5 CODEC_L61_RET_SNS - @ap_sub_lib.AP.SUB 7A6 12A5 @ap_sub_lib.AP.SUB CODEC_LINEIN_N - @ap_sub_lib.AP.SUB 15B8 CODEC_LINEIN_P - @ap_sub_lib.AP.SUB 15A8 CODEC_LINEOUT_N - @ap_sub_lib.AP.SUB 15A8 @ap_sub_lib.AP.SUB CODEC_LINEOUT_P - @ap_sub_lib.AP.SUB 15A8 @ap_sub_lib.AP.SUB CODEC_LINE_OUT_L61_L - @ap_sub_lib.AP.SUB 7C4 @ap_sub_lib.AP.SUB CODEC_LINE_OUT_L61_R - @ap_sub_lib.AP.SUB 7C4 @ap_sub_lib.AP.SUB COUT - @ap_sub_lib.AP.SUB 6C5 CPX0 - @ap_sub_lib.AP.SUB 13D7 CPX1 - @ap_sub_lib.AP.SUB 13C7 CPY0 - @ap_sub_lib.AP.SUB 13D7 CPY1 - @ap_sub_lib.AP.SUB 13C7 CVBS_OUT - @ap_sub_lib.AP.SUB 6C5 DAC_COMP - @ap_sub_lib.AP.SUB 5B8 DAC_IREF - @ap_sub_lib.AP.SUB 5B8 DAC_OUT1 - @ap_sub_lib.AP.SUB 5B8 6C3 DAC_OUT2 - @ap_sub_lib.AP.SUB 5B8 6C3 DAC_OUT3 - @ap_sub_lib.AP.SUB 5B8 6C3 DAC_VREF - @ap_sub_lib.AP.SUB 5B8 DDR_A0 - @ap_sub_lib.AP.SUB 3B3 DDR_A1 - @ap_sub_lib.AP.SUB 3B3 DDR_A2 - @ap_sub_lib.AP.SUB 3B3 DDR_A3 - @ap_sub_lib.AP.SUB 3B3 DDR_A4 - @ap_sub_lib.AP.SUB 3B3 DDR_A5 - @ap_sub_lib.AP.SUB 3B3 DDR_A6 - @ap_sub_lib.AP.SUB 3B3 DDR_A7 - @ap_sub_lib.AP.SUB 3B3 DDR_A8 - @ap_sub_lib.AP.SUB 3B3 DDR_A9 - @ap_sub_lib.AP.SUB 3B3 DDR_A10 - @ap_sub_lib.AP.SUB 3B3 DDR_A11 - @ap_sub_lib.AP.SUB 3B3 DDR_A12 - @ap_sub_lib.AP.SUB 3B3 DDR_A13 - @ap_sub_lib.AP.SUB 3B3 DDR_BA0 - @ap_sub_lib.AP.SUB 3B3 DDR_BA1 - @ap_sub_lib.AP.SUB 3B3 DDR_CAS_N - @ap_sub_lib.AP.SUB 3A3 DDR_CKE0 - @ap_sub_lib.AP.SUB 3B3 DDR_CKE1 - @ap_sub_lib.AP.SUB 3B3 DDR_DM0 - @ap_sub_lib.AP.SUB 3B4 DDR_DM1 - @ap_sub_lib.AP.SUB 3B4 DDR_DM2 - @ap_sub_lib.AP.SUB 3B4 DDR_DM3 - @ap_sub_lib.AP.SUB 3B4 DDR_RAS_N - @ap_sub_lib.AP.SUB 3A3 DDR_WE_N - @ap_sub_lib.AP.SUB 3B3 DEBUG_RST_N - @ap_sub_lib.AP.SUB 15B5 DEBUG_SW - @ap_sub_lib.AP.SUB 4B8 DEV_NIMBUS_A_SDI - @ap_sub_lib.AP.SUB 13C5 @ap_sub_lib.AP.SUB DEV_NIMBUS_A_SDO - @ap_sub_lib.AP.SUB 13C5 @ap_sub_lib.AP.SUB DFU_STATUS - @ap_sub_lib.AP.SUB 2C2 DOCK_3_V3 - @ap_sub_lib.AP.SUB 12C3 DOCK_C - @ap_sub_lib.AP.SUB 12A2 12C6 DOCK_COMP - @ap_sub_lib.AP.SUB 12A3 12C6 DOCK_FW_PWR - @ap_sub_lib.AP.SUB 9A8 12C6 DOCK_RESET_N - @ap_sub_lib.AP.SUB 12C3 DOCK_RTCK - @ap_sub_lib.AP.SUB 12C3 DOCK_TCK - @ap_sub_lib.AP.SUB 12C6 15C6 DOCK_TCK_MUX - @ap_sub_lib.AP.SUB 15D5 DOCK_TDI - @ap_sub_lib.AP.SUB 12C6 15C6 DOCK_TDI_MUX - @ap_sub_lib.AP.SUB 15D5 DOCK_TDO - @ap_sub_lib.AP.SUB 2B7 12C6 DOCK_TMS - @ap_sub_lib.AP.SUB 2B8 12C3 DOCK_TRST* - @ap_sub_lib.AP.SUB 2B8 DOCK_UART_CTRL - @ap_sub_lib.AP.SUB 9B7 15D8 DOCK_USB_PWR - @ap_sub_lib.AP.SUB 12B7 DOCK_Y - @ap_sub_lib.AP.SUB 12A2 12C6 EXT_MIC_L61+ - @ap_sub_lib.AP.SUB 8D2 EXT_MIC_L61_N - @ap_sub_lib.AP.SUB 7A5 8C7 EXT_MIC_L61_P_RL - @ap_sub_lib.AP.SUB 8D5 @ap_sub_lib.AP.SUB FOAD<0> - @ap_sub_lib.AP.SUB 4B7 4C7 FOAD<1..0> - @ap_sub_lib.AP.SUB 4B7 4C7 FOAD<1> - @ap_sub_lib.AP.SUB 4B7 4C7 FOAD<2> - @ap_sub_lib.AP.SUB 4B7 4C7 FOAD<3> - @ap_sub_lib.AP.SUB 4B7 4C7 FOAD<4> - @ap_sub_lib.AP.SUB 4B7 4B7 FOAD<5> - @ap_sub_lib.AP.SUB 4A7 4B7 FOAD<6> - @ap_sub_lib.AP.SUB 4A7 4B7 FOAD<7> - @ap_sub_lib.AP.SUB 4A7 4B7 FOALE - @ap_sub_lib.AP.SUB 4B5 4C6 FOCE0_N - @ap_sub_lib.AP.SUB 4B5 4C6</p>		<p>LED_LX - @ap_sub_lib.AP.SUB 9A4 9A5 LINEOUT_L_F - @ap_sub_lib.AP.SUB 12A8</p>			
<p>BB_I2S_BCLK - @ap_sub_lib.AP.SUB 11D2 15A6 12S2_BCLK - @ap_sub_lib.AP.SUB 11D4 BB_I2S_DIN - @ap_sub_lib.AP.SUB 11D4 15A6 12S2_DOUT - @ap_sub_lib.AP.SUB 11D4 BB_I2S_DOUT - @ap_sub_lib.AP.SUB 11D2 15A6 12S2_DIN - @ap_sub_lib.AP.SUB 11D4 BB_I2S_LRCLK - @ap_sub_lib.AP.SUB 11D2 15A6 12S2_LRCLK - @ap_sub_lib.AP.SUB 11D4 BB_PMU_ON* - @ap_sub_lib.AP.SUB 9B8 9B8 15B7 BB_RST - @ap_sub_lib.AP.SUB 2C3 15B6 BB_USART0_CTS_N_CONN - @ap_sub_lib.AP.SUB 15B6 15C4 @ap_sub_lib.AP.SUB BB_USART0_RTS_N_CONN - @ap_sub_lib.AP.SUB 15B8 15C4 @ap_sub_lib.AP.SUB BB_USART0_RXD_CONN - @ap_sub_lib.AP.SUB 3C5 15C5 @ap_sub_lib.AP.SUB BB_USART0_RXD_CTRL - @ap_sub_lib.AP.SUB 5D4 15D4 @ap_sub_lib.AP.SUB BB_USART0_TXD_CONN - @ap_sub_lib.AP.SUB 15B6 15C4 15D8 @ap_sub_lib.AP.SUB BOARD_ID0 - @ap_sub_lib.AP.SUB 5C4 5D5 RGB<23..0> - @ap_sub_lib.AP.SUB 5D5 BOARD_ID1 - @ap_sub_lib.AP.SUB 5C4 5D5 RGB<23..0> - @ap_sub_lib.AP.SUB 5D5 BOARD_ID2 - @ap_sub_lib.AP.SUB 5C4 5D5 RGB<23..0> - @ap_sub_lib.AP.SUB 5D5 BOARD_ID3 - @ap_sub_lib.AP.SUB 5C4 5D5 RGB<23..0> - @ap_sub_lib.AP.SUB 5D5 BOOST_PROT - @ap_sub_lib.AP.SUB 9A4 9B5 BOOST_SENSE_N - @ap_sub_lib.AP.SUB 9A4 9B5 BOOST_SENSE_P - @ap_sub_lib.AP.SUB 9A4 9B5 BOOT_CFG_0 - @ap_sub_lib.AP.SUB 13C7 13D5 BOOT_CFG_1 - @ap_sub_lib.AP.SUB 13C7 13D5 BOOT_STRAP0 - @ap_sub_lib.AP.SUB 5C4 5D5 RGB<23..0> - @ap_sub_lib.AP.SUB 5D5 BOOT_STRAP1 - @ap_sub_lib.AP.SUB 5B4 5D5 RGB<23..0> - @ap_sub_lib.AP.SUB 5D5 BOOT_STRAP2 - @ap_sub_lib.AP.SUB 5B4 5D5 RGB<23..0> - @ap_sub_lib.AP.SUB 5D5 BOOT_STRAP3 - @ap_sub_lib.AP.SUB 5B4 5D5 RGB<23..0> - @ap_sub_lib.AP.SUB 5D5 BST_SRC - @ap_sub_lib.AP.SUB 9A5 BT_I2S_BCLK - @ap_sub_lib.AP.SUB 11D4 15B5 12S1_BCLK - @ap_sub_lib.AP.SUB 3C5 11D5 VOICE_I2S_SCLK - @ap_sub_lib.AP.SUB 7B6 11D4 11D5 12S1_BCLK - @ap_sub_lib.AP.SUB 3C5 11D5 BT_I2S_DIN - @ap_sub_lib.AP.SUB 11D4 15B5 12S1_DOUT - @ap_sub_lib.AP.SUB 3C5 11D5 VOICE_I2S_SDIN - @ap_sub_lib.AP.SUB 7B6 11D4 11D5 12S1_DOUT - @ap_sub_lib.AP.SUB 3C5 11D5 BT_I2S_DOUT - @ap_sub_lib.AP.SUB 11C4 15B5 12S1_DIN - @ap_sub_lib.AP.SUB 3C5 11D5 VOICE_I2S_SDOUT - @ap_sub_lib.AP.SUB 7B6 11C5 11D4 @ap_sub_lib.AP.SUB 12S1_DIN - @ap_sub_lib.AP.SUB 3C5 11D5 BT_I2S_LRCLK - @ap_sub_lib.AP.SUB 11C4 15B5</p>		<p>FOAD<0> - @ap_sub_lib.AP.SUB 4B7 4C7 FOAD<1..0> - @ap_sub_lib.AP.SUB 4B7 4C7 FOAD<1> - @ap_sub_lib.AP.SUB 4B7 4C7 FOAD<2> - @ap_sub_lib.AP.SUB 4B7 4C7 FOAD<3> - @ap_sub_lib.AP.SUB 4B7 4C7 FOAD<4> - @ap_sub_lib.AP.SUB 4B7 4B7 FOAD<5> - @ap_sub_lib.AP.SUB 4A7 4B7 FOAD<6> - @ap_sub_lib.AP.SUB 4A7 4B7 FOAD<7> - @ap_sub_lib.AP.SUB 4A7 4B7 FOALE - @ap_sub_lib.AP.SUB 4B5 4C6 FOCE0_N - @ap_sub_lib.AP.SUB 4B5 4C6</p>					

	8	7	6	5	4	3	2	1
D	PP1V8_GRAPE	PP1V8_GRAPE - @ap_sub_lib.AP_SUB	7C8 7D2 7D8 9A6 9A8 9C2 9C4 10C5 11A3 11B4 11C3 11C4 13A5 13A8 14C6 15D5 9A7 9C4 13B5 13C3 13C8 13D5 13D8	VHP	VHP - @ap_sub_lib.AP_SUB	9C6		
	PP1V8_OSC	PP1V8_OSC - @ap_sub_lib.AP_SUB	2D6	VHPFILT+	VHPFILT+ - @ap_sub_lib.AP_SUB	7D5		
	PP1V8_SDRAM	PP1V8_SDRAM - @ap_sub_lib.AP_SUB	3D2 3D2 8A4 8B4 9C4 13B5	VHPFILT-	VHPFILT- - @ap_sub_lib.AP_SUB	7D5		
	PP1V8_TW	PP1V8_TW - @ap_sub_lib.AP_SUB	14C3	VHP_FLYC	VHP_FLYC - @ap_sub_lib.AP_SUB	7C6		
	PP1V8_VSD2	PP1V8_VSD2 - @ap_sub_lib.AP_SUB	2C3	VHP_FLYN	VHP_FLYN - @ap_sub_lib.AP_SUB	7C6		
	PP1V35	PP1V35 - @ap_sub_lib.AP_SUB	10D6 15B5 15D2 15D2 15D5 15D7	VHP_FLYP	VHP_FLYP - @ap_sub_lib.AP_SUB	7C6		
	PP1V35_FB	PP1V35_FB - @ap_sub_lib.AP_SUB	2A2 2A7 2C7 2D2 3D8 9C3 9C4	VIBRATOR_CTRL	VIBRATOR_CTRL - @ap_sub_lib.AP_SUB	2B3 10C4		
	PP1V35_PLL	PP1V35_PLL - @ap_sub_lib.AP_SUB	9C5	VIBRATOR_NEG	VIBRATOR_NEG - @ap_sub_lib.AP_SUB	10D3		
	PP1V35_VDD_CORE	PP1V35_VDD_CORE - @ap_sub_lib.AP_SUB	2C6	VIDEO AMP_EN	VIDEO AMP_EN - @ap_sub_lib.AP_SUB	4B8 6B4		
	PP3V0_CAM	PP3V0_CAM - @ap_sub_lib.AP_SUB	9B2 14B7	VIDEO_GND	VIDEO_GND - @ap_sub_lib.AP_SUB	5A8 6B5		
PP3V0_CODECC	PP3V0_CODECC - @ap_sub_lib.AP_SUB	9B3	VID_C	VID_C - @ap_sub_lib.AP_SUB	6C6 12A5			
PP3V0_IO	PP3V0_IO - @ap_sub_lib.AP_SUB	2B8 2C1 2C2 2C8 2D2 4B2 4D7 9B2 10C8 15D6 15D6	VID_COMP	VID_COMP - @ap_sub_lib.AP_SUB	6C6 12A5			
PP3V0_IO_ACCEL	PP3V0_IO_ACCEL - @ap_sub_lib.AP_SUB	10C7	VID_Y	VID_Y - @ap_sub_lib.AP_SUB	6B6 12A5			
PP3V0_LCD	PP3V0_LCD - @ap_sub_lib.AP_SUB	9B3 13A8	VIO	VIO - @ap_sub_lib.AP_SUB	15B5			
PP3V0_NAND	PP3V0_NAND - @ap_sub_lib.AP_SUB	4B6 4C5 9B1	VOL_DWN*	VOL_DWN* - @ap_sub_lib.AP_SUB	2B3 8D1 11C3			
PP3V0_NAND_VDD	PP3V0_NAND_VDD - @ap_sub_lib.AP_SUB	4D5	VOL_UP*	VOL_UP* - @ap_sub_lib.AP_SUB	2B3 8D1 11C3			
PP3V0_SYS	PP3V0_SYS - @ap_sub_lib.AP_SUB	2C3	VREF	VREF - @ap_sub_lib.AP_SUB	9C7			
PP3V0_VIDEO	PP3V0_VIDEO - @ap_sub_lib.AP_SUB	6C5 9B3	VREG_OP4V	VREG_OP4V - @ap_sub_lib.AP_SUB	3C7			
PP3V0_VIDEO_DAC	PP3V0_VIDEO_DAC - @ap_sub_lib.AP_SUB	5B8 5D8	VSM_CHG	VSM_CHG - @ap_sub_lib.AP_SUB	9D6			
PP3V3_ACC	PP3V3_ACC - @ap_sub_lib.AP_SUB	9B2 12B1	VVIB	VVIB - @ap_sub_lib.AP_SUB	15B7			
PROX_RX	PROX_RX - @ap_sub_lib.AP_SUB	13D8	WLAN RESET	WLAN_RESET - @ap_sub_lib.AP_SUB	3C4 15B7			
PROX_TX	PROX_TX - @ap_sub_lib.AP_SUB	13C5	WLAN_SDIO_CLK	WLAN_SDIO_CLK - @ap_sub_lib.AP_SUB	3C8 15B6			
PWR_KEY*	PWR_KEY* - @ap_sub_lib.AP_SUB	8D1 9B8 11A5	WLAN_SDIO_CMD	WLAN_SDIO_CMD - @ap_sub_lib.AP_SUB	3C8 15B6			
PWR_KEYR_N	PWR_KEYR_N - @ap_sub_lib.AP_SUB	9B7	WLAN_SDIO_DATA<0>	WLAN_SDIO_DATA<0> - @ap_sub_lib.AP_SUB	3C8 15B6			
RADIO_AUDIO_RET_SNS	RADIO_AUDIO_RET_SNS - @ap_sub_lib.AP_SUB	15A7	WLAN_SDIO_DATA<1>	WLAN_SDIO_DATA<1> - @ap_sub_lib.AP_SUB	3C8 15B6			
RADIO_ON	RADIO_ON - @ap_sub_lib.AP_SUB	2C2 15B6	WLAN_SDIO_DATA<2>	WLAN_SDIO_DATA<2> - @ap_sub_lib.AP_SUB	3C8 15B6			
RCVR_CONN_N	RCVR_CONN_N - @ap_sub_lib.AP_SUB	7B2 7C4	WLAN_SDIO_DATA<3>	WLAN_SDIO_DATA<3> - @ap_sub_lib.AP_SUB	3C8 15B6			
RCVR_CONN_P	RCVR_CONN_P - @ap_sub_lib.AP_SUB	7B2 7C4	WLED2_OUT	WLED2_OUT - @ap_sub_lib.AP_SUB	9B5			
RCVR_N_CONN	RCVR_N_CONN - @ap_sub_lib.AP_SUB	16C5	WLED_PWM	WLED_PWM - @ap_sub_lib.AP_SUB	9B5			
RCVR_P_CONN	RCVR_P_CONN - @ap_sub_lib.AP_SUB	16C4	XTAL_24M_O	XTAL_24M_O - @ap_sub_lib.AP_SUB	2B6			
RESET_DET_N	RESET_DET_N - @ap_sub_lib.AP_SUB	5D5 15B6	XTAL_IN_24M	XTAL_IN_24M - @ap_sub_lib.AP_SUB	2A6			
RGB<23..0>	RGB<23..0> - @ap_sub_lib.AP_SUB	5D5	YOUT	YOUT - @ap_sub_lib.AP_SUB	6C5			
RESET_L61_N	RESET_L61_N - @ap_sub_lib.AP_SUB	5C4 7C6						
RGB<23..0>	RGB<23..0> - @ap_sub_lib.AP_SUB	5D5						
RESET_N	RESET_N - @ap_sub_lib.AP_SUB	2A8 9C7 12C1						
RESET_RC_N	RESET_RC_N - @ap_sub_lib.AP_SUB	2A7						
RES_LINEIN_A_N	RES_LINEIN_A_N - @ap_sub_lib.AP_SUB	7B2						
RES_LINEIN_A_P	RES_LINEIN_A_P - @ap_sub_lib.AP_SUB	7C2						
RES_LINEIN_B_N	RES_LINEIN_B_N - @ap_sub_lib.AP_SUB	7B2						
RES_LINEIN_B_P	RES_LINEIN_B_P - @ap_sub_lib.AP_SUB	7B2						
RGB<23..0>	RGB<23..0> - @ap_sub_lib.AP_SUB	5D5						
RGB<17>	RGB<17> - @ap_sub_lib.AP_SUB	5B6						
RGB<18>	RGB<18> - @ap_sub_lib.AP_SUB	5B6						
RGB<19>	RGB<19> - @ap_sub_lib.AP_SUB	5B6						
RGB<20>	RGB<20> - @ap_sub_lib.AP_SUB	5B6						
RGB<21>	RGB<21> - @ap_sub_lib.AP_SUB	5B6						
RGB<22>	RGB<22> - @ap_sub_lib.AP_SUB	5B6						
RGB<23>	RGB<23> - @ap_sub_lib.AP_SUB	5B6						
RINGER_A	RINGER_A - @ap_sub_lib.AP_SUB	8D1 9B8 11B4						
RINGER_A_R	RINGER_A_R - @ap_sub_lib.AP_SUB	9B7						
R_LINE_IN_CONN	R_LINE_IN_CONN - @ap_sub_lib.AP_SUB	12A5 12C3						
SFLASH_CS_N	SFLASH_CS_N - @ap_sub_lib.AP_SUB	4B3						
SHDWN	SHDWN - @ap_sub_lib.AP_SUB	9B7						
SIMCRD_CLK	SIMCRD_CLK - @ap_sub_lib.AP_SUB	10D6 10D8 15A6						
SIMCRD_IO	SIMCRD_IO - @ap_sub_lib.AP_SUB	10D5 10D8 15A6						
SIMCRD_RST	SIMCRD_RST - @ap_sub_lib.AP_SUB	10D6 10D8 15A6						
SIM_DETECT	SIM_DETECT - @ap_sub_lib.AP_SUB	10D6 15A6						
SIM_DETECT*	SIM_DETECT* - @ap_sub_lib.AP_SUB	10D7						
SIM_VCC	SIM_VCC - @ap_sub_lib.AP_SUB	10D5 10D6 15B6						
SPDIF_OUT	SPDIF_OUT - @ap_sub_lib.AP_SUB	3C5						
SPKR_VQ	SPKR_VQ - @ap_sub_lib.AP_SUB	7C4						
SWI_BLCtrl	SWI_BLCtrl - @ap_sub_lib.AP_SUB	5B5 9B7						
SWVBUCK3	SWVBUCK3 - @ap_sub_lib.AP_SUB	9C4						
SW_BOOST	SW_BOOST - @ap_sub_lib.AP_SUB	9A6 9B5						
SW_BUCK1	SW_BUCK1 - @ap_sub_lib.AP_SUB	9C5						
SW_BUCK2	SW_BUCK2 - @ap_sub_lib.AP_SUB	9C5						
TEST_H2	TEST_H2 - @ap_sub_lib.AP_SUB	2B6						
TQ0	TQ0 - @ap_sub_lib.AP_SUB	3C7						
TQ1	TQ1 - @ap_sub_lib.AP_SUB	3C7						
TW_ATN	TW_ATN - @ap_sub_lib.AP_SUB	2C3						
TW_CLK	TW_CLK - @ap_sub_lib.AP_SUB	2C3						
UMTS_RXD	UMTS_RXD - @ap_sub_lib.AP_SUB	15B7 15C2						
UMTS_RXD_CTRL	UMTS_RXD_CTRL - @ap_sub_lib.AP_SUB	5D4 15C4						
RGB<23..0>	RGB<23..0> - @ap_sub_lib.AP_SUB	5D5						
USB_BRICKID	USB_BRICKID - @ap_sub_lib.AP_SUB	2C6 9C7 9D7						
USB_DM	USB_DM - @ap_sub_lib.AP_SUB	2C6 12C1						
USB_DM_DOCK	USB_DM_DOCK - @ap_sub_lib.AP_SUB	12C3						
USB_DP	USB_DP - @ap_sub_lib.AP_SUB	2C6 12B1						
USB_DP_DOCK	USB_DP_DOCK - @ap_sub_lib.AP_SUB	12B3						
USB_PWR_NO_PROTECT	USB_PWR_NO_PROTECT - @ap_sub_lib.AP_SUB	10B8 12B8						
USB_PWR_RPROT	USB_PWR_RPROT - @ap_sub_lib.AP_SUB	9C7 10B7						
USB_REXT	USB_REXT - @ap_sub_lib.AP_SUB	2C6						
USB_SW_GATE	USB_SW_GATE - @ap_sub_lib.AP_SUB	10A7						
USB_VBUS	USB_VBUS - @ap_sub_lib.AP_SUB	2C6						
VBATT_SNS	VBATT_SNS - @ap_sub_lib.AP_SUB	9B7						
VBUCK2_FB	VBUCK2_FB - @ap_sub_lib.AP_SUB	9C5						
VBUS_OV	VBUS_OV - @ap_sub_lib.AP_SUB	9C7 10A6						
VBUS_PROT	VBUS_PROT - @ap_sub_lib.AP_SUB	2C7 9C8 10B5						
VCC_MAIN	VCC_MAIN - @ap_sub_lib.AP_SUB	7D2 8B4 9A2 9A3 9B8 9C2 9C8 9D5 9D8 10B3 11A5 11B4 11B5						
VCENTER	VCENTER - @ap_sub_lib.AP_SUB	9C7						
VDD_ANA	VDD_ANA - @ap_sub_lib.AP_SUB	13B6						
VDD_BUCK3	VDD_BUCK3 - @ap_sub_lib.AP_SUB	9B1 9C5						
VDD_BUCK12	VDD_BUCK12 - @ap_sub_lib.AP_SUB	9C1 9C5						
VDD_GRAPE_3V3	VDD_GRAPE_3V3 - @ap_sub_lib.AP_SUB	13C5						
VDD_GRAPE_CORE	VDD_GRAPE_CORE - @ap_sub_lib.AP_SUB	13C6						
VDD_H	VDD_H - @ap_sub_lib.AP_SUB	13B5						
VDD_L61_VA	VDD_L61_VA - @ap_sub_lib.AP_SUB	7D4						
VDD_L61_VCP	VDD_L61_VCP - @ap_sub_lib.AP_SUB	7D4						
VDD_L61_VDFILT	VDD_L61_VDFILT - @ap_sub_lib.AP_SUB	7D5						
VDD_L61_VLCO	VDD_L61_VLCO - @ap_sub_lib.AP_SUB	7D5						
VDD_LDO2	VDD_LDO2 - @ap_sub_lib.AP_SUB	9B1 9C5						
VDD_LDO10	VDD_LDO10 - @ap_sub_lib.AP_SUB	9A1 9C5						
VDD_LDO11	VDD_LDO11 - @ap_sub_lib.AP_SUB	9C1 9C5						
VDD_LDO16	VDD_LDO16 - @ap_sub_lib.AP_SUB	9C1 9C5						
VDD_LDO47	VDD_LDO47 - @ap_sub_lib.AP_SUB	9B1 9C5						
VDD_LDO358	VDD_LDO358 - @ap_sub_lib.AP_SUB	9B1 9C5						
VDD_REF	VDD_REF - @ap_sub_lib.AP_SUB	9C7						
VDD_RTC	VDD_RTC - @ap_sub_lib.AP_SUB	9C7						
VDD_TOUCH	VDD_TOUCH - @ap_sub_lib.AP_SUB	9B1 16C5						
VGATE	VGATE - @ap_sub_lib.AP_SUB	2B6						

8			7			6			5			4			3			2			1		
Title: Cref Part Report Design: ap_sub Date: Feb 8 8:37:44 2008			C120 CAP_402 ap_sub[7A3] C121 CAP_P_603-SM ap_sub[7C2] C122 CAP_402-LF ap_sub[7A2] C123 CAP_P_603-SM ap_sub[7C2] C124 CAP_201 ap_sub[7B2] C125 CAP_201 ap_sub[7B2] C126 CAP_201 ap_sub[7C1] C127 CAP_201 ap_sub[7C1] C128 CAP_201 ap_sub[7C1] C129 CAP_201 ap_sub[7C1] C130 CAP_201 ap_sub[7C1] C131 CAP_201 ap_sub[7C1] C132 CAP_201 ap_sub[8B8] C133 CAP_201 ap_sub[8B7] C134 CAP_603 ap_sub[8D5] C135 CAP_201 ap_sub[8B4] C136 CAP_201 ap_sub[8B3] C137 CAP_201 ap_sub[8B3] C138 CAP_201 ap_sub[8A3] C139 CAP_201 ap_sub[8A2] C140 CAP_402-LF ap_sub[8A2] C141 CAP_201 ap_sub[8A2] C142 CAP_603 ap_sub[9C8] C143 CAP_201 ap_sub[9C8] C144 CAP_P_CASE-B3-SM1 ap_sub[9D8] C145 CAP_201 ap_sub[9D8] C146 CAP_201 ap_sub[9C7] C147 CAP_402 ap_sub[9C7] C148 CAP_603 ap_sub[9D7] C149 CAP_201 ap_sub[9C7] C150 CAP_402 ap_sub[9D7] C151 CAP_201 ap_sub[9A7] C152 CAP_603 ap_sub[9D7] C153 CAP_603 ap_sub[9C7] C154 CAP_201 ap_sub[9D6] C155 CAP_201 ap_sub[9A6] C156 CAP_201 ap_sub[9D5] C157 CAP_805 ap_sub[9A5] C158 CAP_402 ap_sub[9B4] C159 CAP_201 ap_sub[9A4] C160 CAP_402 ap_sub[9B4] C161 CAP_402 ap_sub[9B4] C162 CAP_603 ap_sub[9A4] C163 CAP_603 ap_sub[9A4] C164 CAP_201 ap_sub[9C3] C165 CAP_402 ap_sub[9B3] C166 CAP_603 ap_sub[9C3] C167 CAP_402 ap_sub[9B3] C168 CAP_201 ap_sub[9C3] C169 CAP_201 ap_sub[9A3] C170 CAP_402 ap_sub[9B3] C171 CAP_603 ap_sub[9B3] C172 CAP_402 ap_sub[9B2] C173 CAP_603 ap_sub[14B7] C174 CAP_402 ap_sub[9B2] C175 CAP_603 ap_sub[9B2] C176 CAP_402 ap_sub[9B2] C177 CAP_402 ap_sub[9C1] C178 CAP_402 ap_sub[9C1] C179 CAP_402 ap_sub[9B1] C180 CAP_402 ap_sub[9B1] C181 CAP_402 ap_sub[9B1] C182 CAP_402 ap_sub[9B1] C183 CAP_402 ap_sub[9A1] C184 CAP_402 ap_sub[9C1] C185 CAP_402-LF ap_sub[10C7] C186 CAP_402 ap_sub[10C7] C187 CAP_201 ap_sub[10D6] C188 CAP_201 ap_sub[10D3] C189 CAP_402-LF ap_sub[10B3] C190 CAP_402-LF ap_sub[10B2] C191 CAP_402-LF ap_sub[10B1] C192 CAP_201 ap_sub[12B6] C193 CAP_201 ap_sub[14B7] C194 CAP_201 ap_sub[12C3] C195 CAP_201 ap_sub[12B7] C196 CAP_201 ap_sub[12C4] C197 CAP_201 ap_sub[14B6] C198 CAP_402-LF ap_sub[13C8] C199 CAP_603 ap_sub[13A8] C200 CAP_201 ap_sub[13C8] C201 CAP_603 ap_sub[13A8] C202 CAP_201 ap_sub[13A7] C203 CAP_201 ap_sub[13C7] C204 CAP_201 ap_sub[13A7] C205 CAP_402 ap_sub[13C7] C206 CAP_402 ap_sub[13C7] C207 CAP_201 ap_sub[13B6] C208 CAP_402 ap_sub[13B6] C209 CAP_201 ap_sub[13B6] C210 CAP_402-LF ap_sub[13B6] C211 CAP_201 ap_sub[13B6] C212 CAP_402-LF ap_sub[13B5] C213 CAP_201 ap_sub[13B5] C214 CAP_201 ap_sub[13C1] C215 CAP_201 ap_sub[15D7] C216 CAP_201 ap_sub[15D7] C217 CAP_201 ap_sub[15D5] C218 CAP_201 ap_sub[15D5] C219 CAP_201 ap_sub[15D2] C220 CAP_201 ap_sub[15C2] C221 CAP_201 ap_sub[16C4] C222 CAP_402-1 ap_sub[16C4] C223 CAP_201 ap_sub[12B8] C224 CAP_201 ap_sub[12B8] C225 CAP_201 ap_sub[12B5] C226 CAP_201 ap_sub[12B5] C227 CAP_201 ap_sub[12B4] D1 DIODE_SCHOT_SM ap_sub[9D6] D2 DIODE_SCHOT_2P_SOD-9 23-HF ap_sub[10B2] D21 SUPPR_TRANSIENT1_201 ap_sub[12B3] D22 SUPPR_TRANSIENT1_201 ap_sub[12B3] D23 SUPPR_TRANSIENT1_201 ap_sub[7B2] D24 SUPPR_TRANSIENT1_201 ap_sub[7B2] D25 SUPPR_TRANSIENT1_201 ap_sub[8B5] D26 SUPPR_TRANSIENT1_201 ap_sub[8B4] D27 SUPPR_TRANSIENT1_201 ap_sub[8D3] D28 ZENER_GDZ-0201 ap_sub[9A8] D29 SUPPR_TRANSIENT1_201 ap_sub[11C5] D210 SUPPR_TRANSIENT1_201 ap_sub[11A4] D211 SUPPR_TRANSIENT1_201 ap_sub[11A4] D212 SUPPR_TRANSIENT1_201 ap_sub[11B4] D213 SUPPR_TRANSIENT1_201 ap_sub[11C3]			D214 ZENER_GDZ-0201 ap_sub[10A7] FL1 FILTER_2P_0402 ap_sub[12B7] FL2 FILTER_2P_0201 ap_sub[2C7] FL3 FILTER_2P_0201 ap_sub[2D7] FL4 FILTER_2P_0201 ap_sub[2C2] FL5 FILTER_2P_0201 ap_sub[2C2] FL6 FILTER_2P_0201 ap_sub[7D7] FL7 FILTER_2P_0201 ap_sub[7D3] FL8 FILTER_2P_0201 ap_sub[7C3] FL9 FILTER_2P_0402 ap_sub[8C5] FL10 FILTER_2P_0402 ap_sub[8C5] FL11 FILTER_2P_0201 ap_sub[8D4] FL12 FILTER_2P_0201 ap_sub[8C4] FL13 FILTER_2P_0201 ap_sub[10C7] FL14 FILTER_2P_0201 ap_sub[12B7] FL15 FILTER_2P_0201 ap_sub[12A7] FL16 FILTER_2P_0201 ap_sub[12A7] FL17 FILTER_2P_0201 ap_sub[12A7] FL18 FILTER_2P_0201 ap_sub[12C2] FL19 FILTER_2P_0402 ap_sub[12B2] FL20 FILTER_2P_0201 ap_sub[12C7] FL21 FILTER_2P_0201 ap_sub[8D3] FL22 FILTER_2P_0201 ap_sub[12A4] FL23 FILTER_2P_0201 ap_sub[12A4] FL24 FILTER_2P_0201 ap_sub[12A4] FL25 FILTER_2P_0201 ap_sub[12A4] FL27 FILTER_2P_0402 ap_sub[12B7] J1 CON_M10ST_D4MT_SM_M-ST-SM ap_sub[8D2] J2 CON_F24ST_SDCARD_SM ap_sub[10D8] F-ST-SM J3 CON_M42ST_D4MT_SM_M-ST-SM ap_sub[12C4] ST-SM J4 CON_M20ST_D4MT_SM_M-ST-SM ap_sub[13A6] ST-SM J5 CON_M30ST_D4MT_SM_M-ST-SM ap_sub[13D2] ST-SM J6 CON_M20ST_D4MT_SM_M-ST-SM ap_sub[14C5] ST-SM J7 CON_F12RT_D_SMI_F-RT -SM-HF ap_sub[16C5] L1 FILTER_4P_TCM1005 ap_sub[12B1] L2 IND_VLS4012-SM ap_sub[9D6] L3 IND_VLS3012-SM-HF ap_sub[9C4] L4 IND_VLS3012-SM-HF ap_sub[9C4] L5 IND_VLS3012-SM-HF ap_sub[9A4] L6 IND_LQZ8C-SM ap_sub[10B2] Q1 TRA_NCH_SCHOT_6P_WDF ap_sub[9A5 9A5] N Q2 TRA_S18409DB_BGA ap_sub[10B7] Q3 TRA_MOSFET_NCHN_3P_S OT883L ap_sub[10D6] Q4 TRA_S18409DB_BGA ap_sub[10B6] Q5 TRA_NCH_SCHOT_6P_WDF ap_sub[10C3 10D3] N Q6 TRA_DUAL_NPCH_NTUD31 2TC1_SOT-963 ap_sub[10B3 10B1] R1 RES_201 ap_sub[2C7] R2 RES_201 ap_sub[8C6] R3 RES_201 ap_sub[8C6] R4 RES_201 ap_sub[9C8] R5 RES_201 ap_sub[2B8] R6 RES_201 ap_sub[2A7] R7 RES_402-1 ap_sub[2A7] R8 RES_201 ap_sub[2B7] R9 RES_402-1 ap_sub[2A7] R10 RES_201 ap_sub[2C6] R11 RES_201 ap_sub[2A6] R12 RES_201 ap_sub[2C2] R13 RES_201 ap_sub[2C2] R14 RES_201 ap_sub[2C2] R15 RES_201 ap_sub[2B2] R16 RES_201 ap_sub[2B2] R17 RES_201 ap_sub[3B5] R18 RES_201 ap_sub[3C4] R19 RES_201 ap_sub[4C6] R20 RES_201 ap_sub[4D6] R21 RES_201 ap_sub[4D5] R22 RES_201 ap_sub[4D5] R23 RES_201 ap_sub[4D5] R24 RES_201 ap_sub[4B4] R25 RES_201 ap_sub[4B4] R26 RES_201 ap_sub[4B2] R27 RES_201 ap_sub[5B8] R28 RES_201 ap_sub[5C8] R29 RES_201 ap_sub[5C8] R30 RES_201 ap_sub[5C8] R31 RES_201 ap_sub[5A6] R32 RES_201 ap_sub[5B5] R33 RES_201 ap_sub[5C3] R34 RES_201 ap_sub[5C3] R35 RES_201 ap_sub[5C3] R36 RES_201 ap_sub[5C3] R37 RES_201 ap_sub[5C3] R38 RES_201 ap_sub[5B3] R39 RES_201 ap_sub[5B3] R40 RES_201 ap_sub[5B3] R41 RES_201 ap_sub[6C6] R42 RES_201 ap_sub[6C6] R43 RES_201 ap_sub[6B6] R44 RES_201 ap_sub[6B4] R45 RES_201 ap_sub[6B4] R46 RES_201 ap_sub[6B4] R47 RES_201 ap_sub[6B4] R48 RES_201 ap_sub[7A8] R49 RES_201 ap_sub[7A8] R50 RES_201 ap_sub[7A7] R51 RES_201 ap_sub[7A7] R52 RES_201 ap_sub[7C7] R53 RES_201 ap_sub[7C7] R54 RES_201 ap_sub[7B6] R55 RES_201 ap_sub[7A4] R56 RES_201 ap_sub[7A3] R57 RES_201 ap_sub[7A3] R58 RES_201 ap_sub[7A3] R59 RES_201 ap_sub[7C3] R60 RES_201 ap_sub[7B3] R61 RES_201 ap_sub[7C3] R62 RES_201 ap_sub[7B3] R63 RES_201 ap_sub[7C1] R64 RES_201 ap_sub[7C1] R65 RES_201 ap_sub[8B8] R66 RES_201 ap_sub[8B7] R67 RES_201 ap_sub[8B7]			R68 RES_201 ap_sub[8D7] R69 RES_201 ap_sub[8B6] R70 RES_201 ap_sub[8D6] R71 RES_201 ap_sub[8D6] R72 RES_201 ap_sub[8C6] R73 RES_201 ap_sub[8D6] R74 RES_201 ap_sub[8B4] R75 RES_201 ap_sub[8B3] R76 RES_201 ap_sub[8B3] R77 RES_201 ap_sub[8C3] R78 RES_201 ap_sub[8A2] R79 RES_201 ap_sub[9B8] R80 RES_201 ap_sub[9B8] R81 RES_201 ap_sub[9C8] R82 RES_201 ap_sub[9B8] R83 RES_201 ap_sub[9A8] R84 RES_201 ap_sub[9B8] R85 RES_201 ap_sub[9B8] R86 RES_201 ap_sub[9B8] R87 RES_201 ap_sub[9C8] R88 RES_201 ap_sub[9C7] R89 RES_201 ap_sub[9A7] R90 RES_201 ap_sub[9A6] R91 RES_201 ap_sub[9A6] R92 RES_201 ap_sub[9A6] R93 RES_402 ap_sub[9A6] R94 RES_201 ap_sub[9A5] R95 RES_201 ap_sub[9C1] R96 RES_201 ap_sub[9A4] R97 RES_201 ap_sub[9A4] R98 RES_402 ap_sub[9A3] R99 RES_402 ap_sub[9C1] R100 RES_402 ap_sub[9B1] R101 RES_402 ap_sub[9A1] R102 RES_402 ap_sub[9C1] R103 RES_402 ap_sub[9C1] R104 RES_402 ap_sub[9B1] R105 RES_402 ap_sub[9B1] R106 RES_402 ap_sub[9C1] R107 RES_201 ap_sub[11C4] R108 RES_201 ap_sub[11A4] R109 RES_201 ap_sub[11B4] R110 RES_201 ap_sub[11C3] R111 RES_201 ap_sub[11B3] R112 RES_201 ap_sub[10B8] R113 RES_201 ap_sub[10A7] R114 RES_201 ap_sub[10D6] R115 RES_201 ap_sub[10A6] R116 RES_201 ap_sub[10C4] R117 RES_201 ap_sub[10A3] R118 RES_201 ap_sub[10B3] R119 RES_201 ap_sub[10B2] R120 RES_201 ap_sub[10B2] R121 RES_201 ap_sub[10B1] R122 RES_201 ap_sub[12B8] R123 RES_201 ap_sub[12A8] R124 RES_201 ap_sub[14C3] R125 RES_201 ap_sub[12A4] R126 RES_201 ap_sub[12B3] R127 RES_201 ap_sub[12C2] R128 RES_201 ap_sub[13D8] R129 RES_201 ap_sub[13C7] R130 RES_201 ap_sub[13A5] R131 RES_201 ap_sub[13A5] R132 RES_201 ap_sub[13A5] R133 RES_201 ap_sub[13B5] R134 RES_201 ap_sub[13C4] R135 RES_201 ap_sub[13D4] R136 RES_201 ap_sub[13B4] R137 RES_201 ap_sub[13C4] R138 RES_201 ap_sub[13D4] R139 RES_201 ap_sub[13C4] R140 RES_201 ap_sub[13D4] R141 RES_201 ap_sub[13C3] R142 RES_201 ap_sub[13C2] R143 RES_201 ap_sub[13B2] R144 RES_201 ap_sub[13C2] R145 RES_201 ap_sub[13B2] R146 RES_201 ap_sub[13C2] R147 RES_201 ap_sub[13C2] R148 RES_201 ap_sub[15D6] R149 RES_201 ap_sub[15D4] R150 RES_201 ap_sub[15C3] R151 RES_201 ap_sub[15D3] R152 RES_201 ap_sub[15D3] R153 RES_201 ap_sub[12C2] RP1 RPAK4P_4X0201-HF TP1 TP_SM-TF25-TOP ap_sub[2C2] TP2 TP_SM-TF25-TOP ap_sub[2C2] TP3 TP_SM-TF25-TOP ap_sub[3C8] TP4 TP_SM-TF25-TOP ap_sub[3B8] TP5 TP_SM-TF25-TOP ap_sub[3C5] TP6 TP_SM-TF25-TOP ap_sub[3B5] TP7 TP_SM-TF25-TOP ap_sub[3B5] TP8 TP_SM-TF25-TOP ap_sub[3B8] TP9 TP_SM-TF25-TOP ap_sub[3B5] TP10 TP_SM-TF25-TOP ap_sub[3B3] TP11 TP_SM-TF25-TOP ap_sub[3B3] TP12 TP_SM-TF25-TOP ap_sub[3B3] TP13 TP_SM-TF25-TOP ap_sub[3B3] TP14 TP_SM-TF25-TOP ap_sub[3B3] TP15 TP_SM-TF25-TOP ap_sub[3B3] TP16 TP_SM-TF25-TOP ap_sub[3B3] TP17 TP_SM-TF25-TOP ap_sub[3B3] TP18 TP_SM-TF25-TOP ap_sub[3B3] TP19 TP_SM-TF25-TOP ap_sub[3B3] TP20 TP_SM-TF25-TOP ap_sub[3B3] TP21 TP_SM-TF25-TOP ap_sub[3B3] TP22 TP_SM-TF25-TOP ap_sub[3B3] TP23 TP_SM-TF25-TOP ap_sub[3B3] TP24 TP_SM-TF25-TOP ap_sub[3B3] TP25 TP_SM-TF25-TOP ap_sub[3B3] TP26 TP_SM-TF25-TOP ap_sub[3B3] TP27 TP_SM-TF25-TOP ap_sub[3B3] TP28 TP_SM-TF25-TOP ap_sub[3B3] TP29 TP_SM-TF25-TOP ap_sub[3A3] TP30 TP_SM-TF25-TOP ap_sub[3A3] TP31 TP_SM-TF25-TOP ap_sub[4D6] U1 SC58720X02_FBGA ap_sub[2C6] U1 SC58720X02_FBGA ap_sub[3B4 3D3 3D6] U1 SC58720X02_FBGA ap_sub[4D8] U2 D1755AA_UFNBA ap_sub[5C6] U2 D1755AA_UFNBA ap_sub[9D6] U3 L1S31DL_LGA ap_sub[10C6]														



8			7			6			5			4			3			2			1		
HP_LG_15	HP_LG_15 - @p4c_dev_lib.MLB	9A5	J18_16	J18_16 - @p4c_dev_lib.MLB	2906	LCD_BOOST_OUTPUT_CTR	LCD_BOOST_OUTPUT_CTRL -	13B2	MCLK1_CONN	MCLK1_CONN - @p4c_dev_lib.MLB	7C7												
HP_LG_30	HP_LG_30 - @p4c_dev_lib.MLB	9A5	J18_17	J18_17 - @p4c_dev_lib.MLB	2907	L	@p4c_dev_lib.MLB		MCLK2_CONN	MCLK2_CONN - @p4c_dev_lib.MLB	7C7												
HP_L_3K	HP_L_3K - @p4c_dev_lib.MLB	9A5	J18_18	J18_18 - @p4c_dev_lib.MLB	2906	LCD_BOOST_SEL	LCD_BOOST_SEL - @p4c_dev_lib.MLB	16A6	MENU_KEY	MENU_KEY - @p4c_dev_lib.MLB	3C5 12A3												
HP_L_10K	HP_L_10K - @p4c_dev_lib.MLB	9A5	J18_19	J18_19 - @p4c_dev_lib.MLB	2907	LCD_BOOST_SRC_N	LCD_BOOST_SRC_N - @p4c_dev_lib.MLB	13C2 26C4	MENU_KEY*	MENU_KEY* - @p4c_dev_lib.MLB	11B8 12A5 12A5 25B7												
HP_L_15	HP_L_15 - @p4c_dev_lib.MLB	9A5	J18_20	J18_20 - @p4c_dev_lib.MLB	2906	LCD_BOOST_SRC_P	LCD_BOOST_SRC_P - @p4c_dev_lib.MLB	13C2 26C5	MENU_KEY_R_N	MENU_KEY_R_N - @p4c_dev_lib.MLB	11C7												
HP_L_30	HP_L_30 - @p4c_dev_lib.MLB	9A5	J18_21	J18_21 - @p4c_dev_lib.MLB	2907	LCD_BOOST_VOUT	LCD_BOOST_VOUT - @p4c_dev_lib.MLB	13C1 16A7 17C2 26C3	MIC1_L61	MIC1_L61 - @p4c_dev_lib.MLB	7A5 7B4												
HP_LOAD_SNS	HP_LOAD_SNS - @p4c_dev_lib.MLB	9A5	J18_22	J18_22 - @p4c_dev_lib.MLB	2906	LCD_BOOST_VOUT_R	LCD_BOOST_VOUT_R - @p4c_dev_lib.MLB	13B1	MIC1_REF_L61	MIC1_REF_L61 - @p4c_dev_lib.MLB	7A5 7B4												
HP_LOAD_SNS_RL	HP_LOAD_SNS_RL - @p4c_dev_lib.MLB	9A7	J18_23	J18_23 - @p4c_dev_lib.MLB	2907	LCD_BST_FB	LCD_BST_FB - @p4c_dev_lib.MLB	13B2	MIC2_L61	MIC2_L61 - @p4c_dev_lib.MLB	7A6 7B4												
HP_L_SNUB	HP_L_SNUB - @p4c_dev_lib.MLB	9A6	J18_24	J18_24 - @p4c_dev_lib.MLB	2906	LCD_BST_SW	LCD_BST_SW - @p4c_dev_lib.MLB	13B2	MIC2_REF_L61	MIC2_REF_L61 - @p4c_dev_lib.MLB	7A5 7B4												
HP_REF_L61	HP_REF_L61 - @p4c_dev_lib.MLB	9C3 9C1	J18_25	J18_25 - @p4c_dev_lib.MLB	2907	LCD_BST_VIN	LCD_BST_VIN - @p4c_dev_lib.MLB	13B3	MIC2_SDET	MIC2_SDET - @p4c_dev_lib.MLB	7A5 7B4												
HP_RET	HP_RET - @p4c_dev_lib.MLB	10D5	J18_26	J18_26 - @p4c_dev_lib.MLB	2906	LCD_BST_VOUT_D	LCD_BST_VOUT_D - @p4c_dev_lib.MLB	13B2	MIC3_BIAS	MIC3_BIAS - @p4c_dev_lib.MLB	7B4 12C8												
HP_RET_1817	HP_RET_1817 - @p4c_dev_lib.MLB	8B6 10C3	J18_27	J18_27 - @p4c_dev_lib.MLB	2907	LCD_CHECKSUM	LCD_CHECKSUM - @p4c_dev_lib.MLB	16A5 17D2	MICBIAS1_1817	MICBIAS1_1817 - @p4c_dev_lib.MLB	8B3 10D7												
HP_RET_L61	HP_RET_L61 - @p4c_dev_lib.MLB	9C5	J18_29	J18_29 - @p4c_dev_lib.MLB	2908	LCD_CHECKSUM_R	LCD_CHECKSUM_R - @p4c_dev_lib.MLB	16A6	MICBIAS1_L61	MICBIAS1_L61 - @p4c_dev_lib.MLB	7A4 7B2 7B2												
HP_RG_3K	HP_RG_3K - @p4c_dev_lib.MLB	9A5	J18_30	J18_30 - @p4c_dev_lib.MLB	2906	LCD_DE	LCD_DE - @p4c_dev_lib.MLB	5A7 5B6	MICBIAS2_1817	MICBIAS2_1817 - @p4c_dev_lib.MLB	8B3 8D8												
HP_RG_10K	HP_RG_10K - @p4c_dev_lib.MLB	9A5	J18_31	J18_31 - @p4c_dev_lib.MLB	2908	LCD_EXTCLK	LCD_EXTCLK - @p4c_dev_lib.MLB	5A7 5B6	MICBIAS2_L61	MICBIAS2_L61 - @p4c_dev_lib.MLB	7B4 9D7												
HP_RG_15	HP_RG_15 - @p4c_dev_lib.MLB	9B5	J18_32	J18_32 - @p4c_dev_lib.MLB	2906	LCD_HS	LCD_HS - @p4c_dev_lib.MLB	5A7 5B6	MICBIAS2_L61_R	MICBIAS2_L61_R - @p4c_dev_lib.MLB	9D6												
HP_RG_30	HP_RG_30 - @p4c_dev_lib.MLB	9A5	J18_33	J18_33 - @p4c_dev_lib.MLB	2908	LCD_RST_C	LCD_RST_C - @p4c_dev_lib.MLB	16B6	MIC_BIAS_LDO	MIC_BIAS_LDO - @p4c_dev_lib.MLB	7D1 9B4 11B2 26D3												
HP_R_3K	HP_R_3K - @p4c_dev_lib.MLB	9B5	J18_34	J18_34 - @p4c_dev_lib.MLB	2906	LCD_RST_N	LCD_RST_N - @p4c_dev_lib.MLB	5A7 5B5 16B5 17C2	MIC_BIAS_LDO_CS	MIC_BIAS_LDO_CS - @p4c_dev_lib.MLB	7D5												
HP_R_10K	HP_R_10K - @p4c_dev_lib.MLB	9B5	J18_35	J18_35 - @p4c_dev_lib.MLB	2908	LCD_SYNC	LCD_SYNC - @p4c_dev_lib.MLB	12D7 16A7 17D2 26B6	MIC_BIAS_LDO_J	MIC_BIAS_LDO_J - @p4c_dev_lib.MLB	26D2												
HP_R_15	HP_R_15 - @p4c_dev_lib.MLB	9B5	J18_36	J18_36 - @p4c_dev_lib.MLB	2906	LCD_VCLK	LCD_VCLK - @p4c_dev_lib.MLB	5A7 5B6	MIC_BIAS_LDO_N	MIC_BIAS_LDO_N - @p4c_dev_lib.MLB	7D1 26D4												
HP_R_30	HP_R_30 - @p4c_dev_lib.MLB	9B5	J18_37	J18_37 - @p4c_dev_lib.MLB	2908	LCD_VS	LCD_VS - @p4c_dev_lib.MLB	5A7 5B6	MIC_BIAS_LDO_P	MIC_BIAS_LDO_P - @p4c_dev_lib.MLB	7D1 26D5												
HP_LOAD_SNS	HP_LOAD_SNS - @p4c_dev_lib.MLB	9B5	J18_38	J18_38 - @p4c_dev_lib.MLB	2906	LCM2_MIP1_CLK_N	LCM2_MIP1_CLK_N - @p4c_dev_lib.MLB	3A5 3A8 17C2	MIKEN_EN_R	MIKEN_EN_R - @p4c_dev_lib.MLB	9A3												
HP_LOAD_SNS_RL	HP_LOAD_SNS_RL - @p4c_dev_lib.MLB	9B7	J18_39	J18_39 - @p4c_dev_lib.MLB	2988	LCM2_MIP1_CLK_P	LCM2_MIP1_CLK_P - @p4c_dev_lib.MLB	3A8 3B5 17C2	MIKEY_AVDD_N	MIKEY_AVDD_N - @p4c_dev_lib.MLB	9B2 26D6												
HP_R_SNUB	HP_R_SNUB - @p4c_dev_lib.MLB	9B8	J18_43	J18_43 - @p4c_dev_lib.MLB	2908	LCM2_MIP1_DATA0_N	LCM2_MIP1_DATA0_N - @p4c_dev_lib.MLB	3A4 3A8 17C2	MIKEY_AVDD_P	MIKEY_AVDD_P - @p4c_dev_lib.MLB	9B3 26D8												
I2C0_SCL_V18	I2C0_SCL_V18 - @p4c_dev_lib.MLB	5C8 11B7 12A8 13B5 21A6	J18_44	J18_44 - @p4c_dev_lib.MLB	2906	LCM2_MIP1_DATA0_P	LCM2_MIP1_DATA0_P - @p4c_dev_lib.MLB	3A5 3A8 17C2	MIKEY_AVDD_RR	MIKEY_AVDD_RR - @p4c_dev_lib.MLB	9B4												
I2C0_SCL_V18_1817	I2C0_SCL_V18_1817 - @p4c_dev_lib.MLB	8B6 12A8	J18_46	J18_46 - @p4c_dev_lib.MLB	2906	LCM2_MIP1_DATA1_N	LCM2_MIP1_DATA1_N - @p4c_dev_lib.MLB	3A4 3A8 17C2	MIKEY_BYPASS	MIKEY_BYPASS - @p4c_dev_lib.MLB	9A2												
I2C0_SCL_V18_L61	I2C0_SCL_V18_L61 - @p4c_dev_lib.MLB	7C6 9A4 12A8	J18_47	J18_47 - @p4c_dev_lib.MLB	2908	LCM2_MIP1_DATA1_P	LCM2_MIP1_DATA1_P - @p4c_dev_lib.MLB	3A4 3A8 17C2	MIKEY_DETECT	MIKEY_DETECT - @p4c_dev_lib.MLB	9A3												
I2C0_SCL_V3	I2C0_SCL_V3 - @p4c_dev_lib.MLB	21A4 21B7	J18_48	J18_48 - @p4c_dev_lib.MLB	2906	LCM2_MIP1_DATA2_N	LCM2_MIP1_DATA2_N - @p4c_dev_lib.MLB	3A8 17C2	MIKEY_INT_N	MIKEY_INT_N - @p4c_dev_lib.MLB	9A4 11B8 12A6												
I2C0_SDA_V18	I2C0_SDA_V18 - @p4c_dev_lib.MLB	5C8 11B7 12A8 13B5 21A6	J18_49	J18_49 - @p4c_dev_lib.MLB	2908	LCM2_MIP1_DATA2_P	LCM2_MIP1_DATA2_P - @p4c_dev_lib.MLB	3A8 17C2	MIKEY_INT_R	MIKEY_INT_R - @p4c_dev_lib.MLB	9A3												
I2C0_SDA_V18_1817	I2C0_SDA_V18_1817 - @p4c_dev_lib.MLB	8B4 12A8	J18_52	J18_52 - @p4c_dev_lib.MLB	2906	LCM2_MIP1_DATA2_N	LCM2_MIP1_DATA2_N - @p4c_dev_lib.MLB	3A8 17C2	MIKEY_INT_R_N	MIKEY_INT_R_N - @p4c_dev_lib.MLB	9A2 9D7												
I2C0_SDA_V18_L61	I2C0_SDA_V18_L61 - @p4c_dev_lib.MLB	7C6 9A4 12A8	J18_54	J18_54 - @p4c_dev_lib.MLB	2906	LCM2_MIP1_DATA2_P	LCM2_MIP1_DATA2_P - @p4c_dev_lib.MLB	3A8 17C2	MIKEY_MICBIAS	MIKEY_MICBIAS - @p4c_dev_lib.MLB	9A2 9D7												
I2C0_SDA_V3	I2C0_SDA_V3 - @p4c_dev_lib.MLB	21A4 21B7 23D8	J18_58	J18_58 - @p4c_dev_lib.MLB	2906	LCM2_MIP1_DATA2_N	LCM2_MIP1_DATA2_N - @p4c_dev_lib.MLB	3A8 17C2	MIKEY_SCL_R	MIKEY_SCL_R - @p4c_dev_lib.MLB	9A3												
I2C1_SCL_V30	I2C1_SCL_V30 - @p4c_dev_lib.MLB	2B1 21B7 23C8	J18_59	J18_59 - @p4c_dev_lib.MLB	2908	LCM2_MIP1_DATA2_P	LCM2_MIP1_DATA2_P - @p4c_dev_lib.MLB	3A8 17C2	MIKEY_SDA_R	MIKEY_SDA_R - @p4c_dev_lib.MLB	9A3												
I2C1_SCL_V30_1817	I2C1_SCL_V30_1817 - @p4c_dev_lib.MLB	2B1 21B7 23D8	J18_60	J18_60 - @p4c_dev_lib.MLB	2906	LCM2_MIP1_DATA2_N	LCM2_MIP1_DATA2_N - @p4c_dev_lib.MLB	3A8 17C2	MIKE_AVDD	MIKE_AVDD - @p4c_dev_lib.MLB	9B3												
I2C1_SDA_V30	I2C1_SDA_V30 - @p4c_dev_lib.MLB	23A8 23B2 23D7	J18_63	J18_63 - @p4c_dev_lib.MLB	2908	LCM2_MIP1_DATA2_P	LCM2_MIP1_DATA2_P - @p4c_dev_lib.MLB	3A8 17C2	MUX_TXD	MUX_TXD - @p4c_dev_lib.MLB	20C4 20C4												
I2C1_SDA_V30_1817	I2C1_SDA_V30_1817 - @p4c_dev_lib.MLB	23A8 23B2 23C7	J18_65	J18_65 - @p4c_dev_lib.MLB	2906	LCM2_MIP1_DATA2_N	LCM2_MIP1_DATA2_N - @p4c_dev_lib.MLB	3A8 17C2	N72_CHKSUM	N72_CHKSUM - @p4c_dev_lib.MLB	17D2												
I2S0_MCK_AP	I2S0_MCK_AP - @p4c_dev_lib.MLB	5C8	J18_68	J18_68 - @p4c_dev_lib.MLB	2906	LCM2_MIP1_DATA2_P	LCM2_MIP1_DATA2_P - @p4c_dev_lib.MLB	3A8 3A8 3C7 16A5	N72_EXT_AVDD	N72_EXT_AVDD - @p4c_dev_lib.MLB	17D2												
I2S1_BCLK	I2S1_BCLK - @p4c_dev_lib.MLB	3C5 12A7 12A8	J18_70	J18_70 - @p4c_dev_lib.MLB	2906	LCM2_MIP1_DATA2_N	LCM2_MIP1_DATA2_N - @p4c_dev_lib.MLB	3A8 3B6 3C7 16A5	N72_SPI_CS_N	N72_SPI_CS_N - @p4c_dev_lib.MLB	15D5 17D2												
I2S1_DIN	I2S1_DIN - @p4c_dev_lib.MLB	3C5 12A7 12A8	J18_82	J18_82 - @p4c_dev_lib.MLB	2906	LCM2_MIP1_DATA2_P	LCM2_MIP1_DATA2_P - @p4c_dev_lib.MLB	3A6 3B8 3C7 16A5	NAND_CS_0*	NAND_CS_0* - @p4c_dev_lib.MLB	5D5												
I2S1_DOUT	I2S1_DOUT - @p4c_dev_lib.MLB	3C5 12A7 12A8	J18_88	J18_88 - @p4c_dev_lib.MLB	2908	LCM2_MIP1_DATA2_N	LCM2_MIP1_DATA2_N - @p4c_dev_lib.MLB	3A6 3B8 3C7 16A5	NAND_SUPPLY_P_J	NAND_SUPPLY_P_J - @p4c_dev_lib.MLB	26D2												
I2S1_LRCLK	I2S1_LRCLK - @p4c_dev_lib.MLB	3C5 12A7 12A8	J18_91	J18_91 - @p4c_dev_lib.MLB	2906	LCM2_MIP1_DATA2_P	LCM2_MIP1_DATA2_P - @p4c_dev_lib.MLB	3A6 3B8 3C7 16A6	NIMBUS_V18	NIMBUS_V18 - @p4c_dev_lib.MLB	16C3												
I2S1_MCK	I2S1_MCK - @p4c_dev_lib.MLB	3C5 12A8 26B6	J18_93	J18_93 - @p4c_dev_lib.MLB	2908	LCM2_MIP1_DATA2_N	LCM2_MIP1_DATA2_N - @p4c_dev_lib.MLB	3A6 3B8 3C7 16A6	NIMBUS_A_SCLK	NIMBUS_A_SCLK - @p4c_dev_lib.MLB	16A4 16C5												
I2S2_MCK	I2S2_MCK - @p4c_dev_lib.MLB	29C3 29C8	J18_95	J18_95 - @p4c_dev_lib.MLB	2908	LCM2_MIP1_DATA2_P	LCM2_MIP1_DATA2_P - @p4c_dev_lib.MLB	3A6 3B8 3C7 16A6	NIMBUS_GPIO1	NIMBUS_GPIO1 - @p4c_dev_lib.MLB	16A4 16C4												
I2S_DIR	I2S_DIR - @p4c_dev_lib.MLB	29C2	J18_97	J18_97 - @p4c_dev_lib.MLB	2908	LCM2_MIP1_DATA2_N	LCM2_MIP1_DATA2_N - @p4c_dev_lib.MLB	24C3 24C6 24D7 25B7	NIMBUS_GPIO2	NIMBUS_GPIO2 - @p4c_dev_lib.MLB	16A4 16C5												
I2S_DIR_TRITON	I2S_DIR_TRITON - @p4c_dev_lib.MLB	29C2	J18_100	J18_100 - @p4c_dev_lib.MLB	2986	LCM2_MIP1_DATA2_P	LCM2_MIP1_DATA2_P - @p4c_dev_lib.MLB	22D7	NIMBUS_GPIO3	NIMBUS_GPIO3 - @p4c_dev_lib.MLB	16A4 16C5												
I2S_MON_BB_RX_3V3	I2S_MON_BB_RX_3V3 - @p4c_dev_lib.MLB	28B7 28C8 29C6	J18_103	J18_103 - @p4c_dev_lib.MLB	2986	LCM2_MIP1_DATA2_N	LCM2_MIP1_DATA2_N - @p4c_dev_lib.MLB	22D8	NIMBUS_GRAPE_RESET_N	NIMBUS_GRAPE_RESET_N - @p4c_dev_lib.MLB	12D8 16A3 16C8 16D5												
I2S_MON_BB_RX_3V3_N	I2S_MON_BB_RX_3V3_N - @p4c_dev_lib.MLB	28A7 28C6	J18_107	J18_107 - @p4c_dev_lib.MLB	2988	LCM2_MIP1_DATA2_P	LCM2_MIP1_DATA2_P - @p4c_dev_lib.MLB	11A3	NIMBUS_HOST_INT_N	NIMBUS_HOST_INT_N - @p4c_dev_lib.MLB	12C8 16A4 16B3 16D5												
I2S_SDATA_IN_3V3	I2S_SDATA_IN_3V3 - @p4c_dev_lib.MLB	28B8 29C8	J18_111	J18_111 - @p4c_dev_lib.MLB	2988	LCM2_MIP1_DATA2_N	LCM2_MIP1_DATA2_N - @p4c_dev_lib.MLB	23C5	NIMBUS_HOST_INT_N	NIMBUS_HOST_INT_N - @p4c_dev_lib.MLB	12C8 16A4 16B3 16D5												
I2S_SYSCLK	I2S_SYSCLK - @p4c_dev_lib.MLB	29C8	J18_116	J18_116 - @p4c_dev_lib.MLB	2986	LCM2_MIP1_DATA2_P	LCM2_MIP1_DATA2_P - @p4c_dev_lib.MLB	1503	NIMBUS_JTAG_17	NIMBUS_JTAG_17 - @p4c_dev_lib.MLB	16B2												
I24_COM_C	I24_COM_C - @p4c_dev_lib.MLB	28C2	J18_117	J18_117 - @p4c_dev_lib.MLB	2986	LCM2_MIP1_DATA2_N	LCM2_MIP1_DATA2_N - @p4c_dev_lib.MLB	1507	NIMBUS_JTAG_19	NIMBUS_JTAG_19 - @p4c_dev_lib.MLB	16B2												
ID0_PU	ID0_PU - @p4c_dev_lib.MLB	5A6	J18_118	J18_118 - @p4c_dev_lib.MLB	2986	LCM2_MIP1_DATA2_P	LCM2_MIP1_DATA2_P - @p4c_dev_lib.MLB	15D2	NIMBUS_JTAG_RESET	NIMBUS_JTAG_RESET - @p4c_dev_lib.MLB	16C3												
ID1_PU	ID1_PU - @p4c_dev_lib.MLB	5A6	J18_122	J18_122 - @p4c_dev_lib.MLB	2986</																		

	8	7	6	5	4	3	2	1
	OSC32I OSC32O P2A_01 P2A_02 PIPESTAT0 PIPESTAT1 PIPESTAT2 PMU_IRQ_N RGB<23_0> POD_TO_ACC_AP POD_TO_ACC_DOCK POD_TO_ACC_DOCK_CONN POD_TO_ACC_MAX3232 PP1V3_VIBE PP1V8 PP1V8_CODEC PP1V8_CODEC1 PP1V8_CODEC1_N PP1V8_CODEC1_P PP1V8_CODEC_N PP1V8_CODEC_P PP1V8_DDR PP1V8_DDR_N PP1V8_DDR_P PP1V8_GRAPE PP1V8_GRAPE_NIMBUS PP1V8_GRAPE_NIMBUS_J TAG PP1V8_GRAPE_NIMBUS_N PP1V8_GRAPE_NIMBUS_P PP1V8_GRAPE_NIMBUS_V DD PP1V8_GRAPE_Z2 PP1V8_GRAPE_Z2_CS PP1V8_GRAPE_Z2_JTAG PP1V8_GRAPE_Z2_M PP1V8_GRAPE_Z2_M_N PP1V8_GRAPE_Z2_M_P PP1V8_GRAPE_Z2_N PP1V8_GRAPE_Z2_P PP1V8_MIPI PP1V8_MIPI_N PP1V8_MIPI_P PP1V8_OSC PP1V8_OSC_N PP1V8_OSC_P PP1V8_R_L_OSC PP1V8_SDIO PP1V8_SDIO_N PP1V8_SDIO_P PP1V8_SDRAM PP1V8_SDRAM_DDRVDDQ PP1V8_SDRAM_DDRVDDQ_N PP1V8_SDRAM_VDDIOD PP1V8_SDRAM_VDDIOD_N PP1V8_SDRAM_VDDIOD_P PP1V8_TRITON PP1V8_TW PP1V8_TW_N PP1V8_TW_P PP1V8_TW_R_L PP1V8_VD PP1V8_VD2 PP1V8_VSD2 PP1V35 PP1V35_FB PP1V35_MIPI PP1V35_MIPI_N PP1V35_MIPI_P PP1V35_PLL PP1V35_PLL_N PP1V35_PLL_P PP1V35_R_L_PLL PP1V35_USB_VDD PP1V35_USB_VDD_N PP1V35_USB_VDD_P PP1V35_VDD_CORE PP1V35_VDD_CORE_N PP1V35_VDD_CORE_P PP3V0_CODEC PP3V0_CODEC_P PP3V0_IO PP3V0_IO_ACCEL PP3V0_LCD PP3V0_NAND PP3V0_NAND_N PP3V0_NAND_P PP3V0_NAND_VDD PP3V0_R_L_SYS PP3V0_SYS PP3V0_SYS_N PP3V0_SYS_P PP3V0_USB_AVDD PP3V0_USB_AVDD_N PP3V0_USB_AVDD_P PP3V0_VIDEO PP3V0_VIDEO_DAC PP3V0_VIDEO_DAC_N PP3V3_ACC PP4V0_EXT_LDO PP4V0_TRITON PP18V PP18V_N PP18V_P PP18V_R PROX AMP_N PROX AMP_P PROX_EN PROX_EN_ONBOARD PROX_EN_R PROX_EN_R_LED PROX_EN_Z2 PROX_RX PROX_RX_C PROX_RX_IN PROX_TX PROX_VSTM PWR_N PWR_KEY* PWR_KEYR* PKA270_JTAG_RESET PKA270_TCK PKA270_TDI PKA270_TDO PKA270_TMS PKA270_TRST_N RADIO_AUDIO_RET_SNS RADIO_AUDIO_RET_SNS RADIO_ON RADIO_ON_3V3 RCVR_1817_N RCVR_1817_P RCVR_CONN_N RCVR_CONN_P RDVA RDVA* RESET_DET_N RESET_DET_N_3V3 RESET_L61_N RGB<23_0> RESET_N RESET_RC_N RES_D1 RES_LINEIN_A_N RES_LINEIN_A_P RES_LINEIN_B_N RES_LINEIN_B_P RET_SENSE_L REXT_PROX RGB<23_0> RGB<17> RGB<18> RGB<19> RGB<20> RGB<21> RGB<22> RGB<23> RINGER_A RINGER_A_R RST_GPIO_DIR RTS_CTS R_LINE_IN_CONN SDRAM+1_8V_1817 SDRAM+1_8V_J SDRAM_LED SDRAM_LED_D SFLASH_CS_N SHDN SIMCRD_CLK SIMCRD_IO SIMCRD_RST SIM_DETECT* SIM_DETECT* SIM_VCC SMPPOWER_SPKR_CONN_18 SMPPOWER_SPKR_CONN_18 SMPPOWER_SPKR_CONN_18 SMPPOWER_SPKR_N SMPPOWER_SPKR_P SPDIF_OUT SW_BUCK1 SW_BUCK2 TEST_CLOCK_24M TEST_CLOCK_24M_CONN TEST_H2 TQ0 TQ1 TRACECLK TRACEPKT<0> TRACEPKT<1> TRACEPKT<2> TRACEPKT<3> TRACEPKT<4> TRACEPKT<5> TRACEPKT<6> TRACEPKT<7> TRACESYNC TRIG_IN TRIG_OUT TRITON_C1M TRITON_C1P TRITON_C2M TRITON_C2P TRITON_CTS RTS_N TRITON_ENEEP TRITON_ICP_RXD TRITON_ICP_RXD_RS232 TRITON_ICP_RXD_RS232_B TRITON_ICP_TXD TRITON_ICP_TXD_RS232 TRITON_ICP_TXD_RS232_B TRITON_IOS0 TRITON_IOS1 TRITON_IOS2 TRITON_RB1AS TRITON_RTS CTS_N TRITON_RXD USB_TO_UART* TRITON_T2IN TRITON_TXD UART_TO_USB* TRITON_VM TRITON_VP TRITON_X1_A TRITON_X1_B TRITON_X2 TW_ATT TW_CLK TW_CLK U6_2 U6_3 U6_6 U6_7 U9_2 U9_3 U9_6 U9_7 U33_2 U33_3 U33_5 U33_6 U33_7 U34_2 U34_3 U34_5 U34_6 U34_7 U37_2 U37_3 U37_6 U37_7 U38_2 U38_3 U38_6 U38_7 U39_2 U39_3 U39_6 U40_2 U40_3 U40_6 U40_7 UART1_BRIDGE_CTS_N UART1_BRIDGE_CTS_N RTS_N PP4C_DEV_LIB_USBBRIDGE(i1_page22) UART1_BRIDGE_RTS_N CTS_N PP4C_DEV_LIB_USBBRIDGE(i1_page22) UART1_BRIDGE_RXD USB_TO_UART* UART1_BRIDGE_TXD UART_TO_USB* PP4C_DEV_LIB_USBBRIDGE(i1_page22) UART1_TXD UART2_BRIDGE_RXD USB_TO_UART* PP4C_DEV_LIB_USBBRIDGE(i3_page22) UART2_RXD UART2_TXD UART3_BRIDGE_CTS_N RTS_N PP4C_DEV_LIB_USBBRIDGE(i26_page22) UART3_BRIDGE_RTS_N CTS_N PP4C_DEV_LIB_USBBRIDGE(i26_page22) UART3_BRIDGE_RXD USB_TO_UART* PP4C_DEV_LIB_USBBRIDGE(i26_page22) UART3_BRIDGE_TXD UFL_500HM UMTS_JTAG_RESET UMTS_RTCK TRACEPKT<1> TRACEPKT<2> TRACEPKT<3> TRACEPKT<4> TRACEPKT<5> TRACEPKT<6> TRACEPKT<7> TRACESYNC TRIG_IN TRIG_OUT TRITON_C1M TRITON_C1P TRITON_C2M TRITON_C2P TRITON_CTS RTS_N TRITON_ENEEP TRITON_ICP_RXD TRITON_ICP_RXD_RS232 TRITON_ICP_RXD_RS232_B TRITON_ICP_TXD TRITON_ICP_TXD_RS232 TRITON_ICP_TXD_RS232_B TRITON_IOS0 TRITON_IOS1 TRITON_IOS2 TRITON_RB1AS TRITON_RTS CTS_N TRITON_RXD USB_TO_UART* TRITON_T2IN TRITON_TXD UART_TO_USB* TRITON_VM TRITON_VP TRITON_X1_A TRITON_X1_B TRITON_X2 TW_ATT TW_CLK TW_CLK U6_2 U6_3 U6_6 U6_7 U9_2 U9_3 U9_6 U9_7 U33_2 U33_3 U33_5 U33_6 U33_7 U34_2 U34_3 U34_5 U34_6 U34_7 U37_2 U37_3 U37_6 U37_7 U38_2 U38_3 U38_6 U38_7 U39_2 U39_3 U39_6 U40_2 U40_3 U40_6 U40_7 UART1_BRIDGE_CTS_N UART1_BRIDGE_CTS_N RTS_N PP4C_DEV_LIB_USBBRIDGE(i1_page22) UART1_BRIDGE_RTS_N CTS_N PP4C_DEV_LIB_USBBRIDGE(i1_page22) UART1_BRIDGE_RXD USB_TO_UART* UART1_BRIDGE_TXD UART_TO_USB* PP4C_DEV_LIB_USBBRIDGE(i1_page22) UART1_TXD UART2_BRIDGE_RXD USB_TO_UART* PP4C_DEV_LIB_USBBRIDGE(i3_page22) UART2_RXD UART2_TXD UART3_BRIDGE_CTS_N RTS_N PP4C_DEV_LIB_USBBRIDGE(i26_page22) UART3_BRIDGE_RTS_N CTS_N PP4C_DEV_LIB_USBBRIDGE(i26_page22) UART3_BRIDGE_RXD USB_TO_UART* PP4C_DEV_LIB_USBBRIDGE(i26_page22) UART3_BRIDGE_TXD UFL_500HM UMTS_JTAG_RESET UMTS_RTCK	OSC32I - @pp4c_dev_lib.MLB 1166 OSC32O - @pp4c_dev_lib.MLB 1166 P2A_01 - @pp4c_dev_lib.MLB 22C6 P2A_02 - @pp4c_dev_lib.MLB 22C5 PIPESTAT0 - @pp4c_dev_lib.MLB 20B5 25C7 PIPESTAT1 - @pp4c_dev_lib.MLB 20B5 25D7 PIPESTAT2 - @pp4c_dev_lib.MLB 20B4 25D7 PMU_IRQ_N - @pp4c_dev_lib.MLB 5D5 11C7 RGB<23_0> - @pp4c_dev_lib.MLB 2C7 20C8 POD_TO_ACC_AP - @pp4c_dev_lib.MLB 14B6 20D6 POD_TO_ACC_DOCK - @pp4c_dev_lib.MLB 14B3 14D2 22B6 22C7 POD_TO_ACC_DOCK_CONN - @pp4c_dev_lib.MLB 14B3 14D2 22B6 22C7 POD_TO_ACC_MAX3232 - @pp4c_dev_lib.MLB 22A8 PP1V3_VIBE - @pp4c_dev_lib.MLB 11B2 13D4 PP1V8 - @pp4c_dev_lib.MLB 2B8 2C1 2C8 2D8 3C1 3D5 3D5 3D8 5A7 5B5 5C8 5D5 5D9 7C1 7D8 7D8 11A2 11A6 11A8 11C4 12A3 12B3 12B4 12C3 12C4 13C5 15A6 16A5 16A8 17C2 17D3 20D5 21A5 21B5 21D8 24D6 24D7 25C4 25D5 29A4 5D7 PP1V8_CODEC1 - @pp4c_dev_lib.MLB 3D6 PP1V8_CODEC1_N - @pp4c_dev_lib.MLB 3D5 26C4 PP1V8_CODEC1_P - @pp4c_dev_lib.MLB 3D5 26C5 PP1V8_CODEC_N - @pp4c_dev_lib.MLB 5D8 26D6 PP1V8_CODEC_P - @pp4c_dev_lib.MLB 5D8 26D6 PP1V8_DDR - @pp4c_dev_lib.MLB 3C2 PP1V8_DDR_N - @pp4c_dev_lib.MLB 3C1 26C4 PP1V8_DDR_P - @pp4c_dev_lib.MLB 3C1 26C5 PP1V8_GRAPE - @pp4c_dev_lib.MLB 11A7 11C4 12D8 15C8 PP1V8_GRAPE_NIMBUS - @pp4c_dev_lib.MLB 12D8 16B4 25C4 PP1V8_GRAPE_NIMBUS_J - @pp4c_dev_lib.MLB 16C3 TAG - @pp4c_dev_lib.MLB 16C4 26C6 PP1V8_GRAPE_NIMBUS_N - @pp4c_dev_lib.MLB 16C4 26C8 PP1V8_GRAPE_NIMBUS_P - @pp4c_dev_lib.MLB 16C4 26C8 PP1V8_GRAPE_NIMBUS_V - @pp4c_dev_lib.MLB 16A4 16B5 16B5 16C4 16C8 DD - @pp4c_dev_lib.MLB 16D5 16D8 PP1V8_GRAPE_Z2 - @pp4c_dev_lib.MLB 12D8 17B5 17B8 17D5 21D5 21D8 PP1V8_GRAPE_Z2_CS - @pp4c_dev_lib.MLB 17D6 PP1V8_GRAPE_Z2_JTAG - @pp4c_dev_lib.MLB 21D5 PP1V8_GRAPE_Z2_M - @pp4c_dev_lib.MLB 17D2 17D3 PP1V8_GRAPE_Z2_M_N - @pp4c_dev_lib.MLB 17D2 26D4 PP1V8_GRAPE_Z2_M_P - @pp4c_dev_lib.MLB 17D2 26D5 PP1V8_GRAPE_Z2_N - @pp4c_dev_lib.MLB 17D5 26C1 PP1V8_GRAPE_Z2_P - @pp4c_dev_lib.MLB 26C2 PP1V8_L61_JR - @pp4c_dev_lib.MLB 7D8 PP1V8_LCD_M2 - @pp4c_dev_lib.MLB 5D6 PP1V8_LCD_M2_N - @pp4c_dev_lib.MLB 5D5 26D4 PP1V8_LCD_M2_P - @pp4c_dev_lib.MLB 5D5 26D5 PP1V8_MIPI - @pp4c_dev_lib.MLB 3D6 PP1V8_MIPI_N - @pp4c_dev_lib.MLB 3D5 26C6 PP1V8_MIPI_P - @pp4c_dev_lib.MLB 3D5 26C8 PP1V8_OSC - @pp4c_dev_lib.MLB 2D6 PP1V8_OSC_N - @pp4c_dev_lib.MLB 2D8 26B6 PP1V8_OSC_P - @pp4c_dev_lib.MLB 2D8 26D8 PP1V8_R_L_OSC - @pp4c_dev_lib.MLB 2D7 PP1V8_SDIO - @pp4c_dev_lib.MLB 3D7 PP1V8_SDIO_N - @pp4c_dev_lib.MLB 3D8 26C6 PP1V8_SDIO_P - @pp4c_dev_lib.MLB 3D8 26C8 PP1V8_SDRAM - @pp4c_dev_lib.MLB 3D1 3D1 7C1 7D8 8D6 9A4 9B4 10B4 10B4 11C3 15A7 16B5 26D3 PP1V8_SDRAM_DDRVDDQ - @pp4c_dev_lib.MLB 3D3 PP1V8_SDRAM_DDRVDDQ_N - @pp4c_dev_lib.MLB 3D1 26C6 PP1V8_SDRAM_DDRVDDQ_P - @pp4c_dev_lib.MLB 3D1 26C8 PP1V8_SDRAM_VDDIOD - @pp4c_dev_lib.MLB 3D2 PP1V8_SDRAM_VDDIOD_N - @pp4c_dev_lib.MLB 3C1 26C4 PP1V8_SDRAM_VDDIOD_P - @pp4c_dev_lib.MLB 3C1 26C5 PP1V8_TRITON - @pp4c_dev_lib.MLB 29A3 29B1 29B1 29B4 29C1 29C3 29C3 29D1 29D4 PP1V8_TW - @pp4c_dev_lib.MLB 2C3 PP1V8_TW_N - @pp4c_dev_lib.MLB 2C1 26C4 PP1V8_TW_P - @pp4c_dev_lib.MLB 2C1 26C5 PP1V8_TW_R_L - @pp4c_dev_lib.MLB 2C2 PP1V8_VD - @pp4c_dev_lib.MLB 12B2 PP1V8_VD2 - @pp4c_dev_lib.MLB 7C8 PP1V8_VSD2 - @pp4c_dev_lib.MLB 13D6 20B5 20D2 20D2 20D5 20D7 25D4 25D7 25D7 PP1V35 - @pp4c_dev_lib.MLB 2A1 2A7 2C8 2D1 3D8 11C3 11C4 PP1V35_FB - @pp4c_dev_lib.MLB 2A2 11C5 PP1V35_MIPI - @pp4c_dev_lib.MLB 3D7 PP1V35_MIPI_N - @pp4c_dev_lib.MLB 3D8 26C6 PP1V35_MIPI_P - @pp4c_dev_lib.MLB 3D8 26C8 PP1V35_PLL - @pp4c_dev_lib.MLB 2C6 PP1V35_PLL_N - @pp4c_dev_lib.MLB 2C8 26D6 PP1V35_PLL_P - @pp4c_dev_lib.MLB 2C8 26D8 PP1V35_R_L_PLL - @pp4c_dev_lib.MLB 2C7 PP1V35_USB_VDD - @pp4c_dev_lib.MLB 2D3 PP1V35_USB_VDD_N - @pp4c_dev_lib.MLB 2D1 26D6 PP1V35_USB_VDD_P - @pp4c_dev_lib.MLB 2D1 26D8 PP1V35_VDD_CORE - @pp4c_dev_lib.MLB 2A3 2D3 26D3 PP1V35_VDD_CORE_N - @pp4c_dev_lib.MLB 2A1 26C6 PP1V35_VDD_CORE_P - @pp4c_dev_lib.MLB 2A1 26C8 PP3V0_CODEC - @pp4c_dev_lib.MLB 8D4 11B3 15D5 26D3 PP3V0_CODEC_P - @pp4c_dev_lib.MLB 2B8 2C1 2C1 2C8 2D1 4B2 4D7 11B2 13C8 15A5 20D6 20D6 21A5 21B5 23C7 26D3 13C7 PP3V0_IO_ACCEL - @pp4c_dev_lib.MLB 11B3 15D6 16A8 17C2 26D3 PP3V0_LCD - @pp4c_dev_lib.MLB 4C3 11B1 15D3 PP3V0_NAND - @pp4c_dev_lib.MLB 4C3 26C6 PP3V0_NAND_N - @pp4c_dev_lib.MLB 4C3 26C8 26D3 PP3V0_NAND_P - @pp4c_dev_lib.MLB 4B6 4B8 4C5 4D5 PP3V0_NAND_VDD - @pp4c_dev_lib.MLB 4B6 4B8 4C5 4D5	PP3V0_R_L_SYS - @pp4c_dev_lib.MLB 2C2 PP3V0_SYS - @pp4c_dev_lib.MLB 2C3 PP3V0_SYS_N - @pp4c_dev_lib.MLB 2C1 26D6 PP3V0_SYS_P - @pp4c_dev_lib.MLB 2D1 26D8 PP3V0_USB_AVDD - @pp4c_dev_lib.MLB 2D2 PP3V0_USB_AVDD_N - @pp4c_dev_lib.MLB 2D1 26D6 PP3V0_USB_AVDD_P - @pp4c_dev_lib.MLB 2D1 26D8 PP3V0_VIDEO - @pp4c_dev_lib.MLB 6D6 11B3 15D4 PP3V0_VIDEO_DAC - @pp4c_dev_lib.MLB 6D5 26C4 PP3V0_VIDEO_DAC_N - @pp4c_dev_lib.MLB 6D5 26C4 PP3V3_ACC - @pp4c_dev_lib.MLB 11B2 14C6 15D2 26D2 PP4V0_EXT_LDO - @pp4c_dev_lib.MLB 9A7 9B7 14D8 14D8 15B8 15C8 15D4 15D8 22C6 22D6 22D6 22D7 22D8 24D5 28A5 PP4V0_TRITON - @pp4c_dev_lib.MLB 28A4 29A6 PP18V - @pp4c_dev_lib.MLB 17A5 17D5 PP18V_N - @pp4c_dev_lib.MLB 17B5 26D6 PP18V_P - @pp4c_dev_lib.MLB 17B5 26D8 PP18V_R - @pp4c_dev_lib.MLB 17A6 PROX AMP_N - @pp4c_dev_lib.MLB 23C3 PROX AMP_P - @pp4c_dev_lib.MLB 23C3 PROX_EN - @pp4c_dev_lib.MLB 15C5 16A3 17B3 23C8 PROX_EN_ONBOARD - @pp4c_dev_lib.MLB 23C4 23C6 23D2 PROX_EN_R - @pp4c_dev_lib.MLB 15C4 PROX_EN_R_LED - @pp4c_dev_lib.MLB 15C4 PROX_EN_Z2 - @pp4c_dev_lib.MLB 17B4 17C6 PROX_RX - @pp4c_dev_lib.MLB 16D8 17C8 23D8 PROX_RX_ONBOARD - @pp4c_dev_lib.MLB 23D2 23D7 PROX_RX_C - @pp4c_dev_lib.MLB 16D8 PROX_RX_IN - @pp4c_dev_lib.MLB 17C8 PROX_TX - @pp4c_dev_lib.MLB 16C4 17C3 23D8 PROX_TX_ONBOARD - @pp4c_dev_lib.MLB 23C6 23D7 PROX_VSTM - @pp4c_dev_lib.MLB 17C3 PWR_N - @pp4c_dev_lib.MLB 17C3 29B6 PWR_KEY* - @pp4c_dev_lib.MLB 11B8 12A5 25B5 PWR_KEYR* - @pp4c_dev_lib.MLB 11B7 PKA270_JTAG_RESET - @pp4c_dev_lib.MLB 28B2 29B5 PKA270_TCK - @pp4c_dev_lib.MLB 28B2 29D6 PKA270_TDI - @pp4c_dev_lib.MLB 28B2 29D8 PKA270_TDO - @pp4c_dev_lib.MLB 28B2 29D6 PKA270_TMS - @pp4c_dev_lib.MLB 28B2 29D6 PKA270_TRST_N - @pp4c_dev_lib.MLB 28B2 29D6 RADIO_AUDIO_RET_SNS - @pp4c_dev_lib.MLB 20A7 RADIO_AUDIO_RET_SNS - @pp4c_dev_lib.MLB 20A7 RADIO_ON - @pp4c_dev_lib.MLB 2C2 20B6 26B7 29B3 RADIO_ON_3V3 - @pp4c_dev_lib.MLB 29B5 29C6 RCVR_1817_N - @pp4c_dev_lib.MLB 8B1 12B7 RCVR_1817_P - @pp4c_dev_lib.MLB 8B1 12B7 RCVR_CONN_N - @pp4c_dev_lib.MLB 7B2 8A2 12B7 RCVR_CONN_P - @pp4c_dev_lib.MLB 7B2 8A4 12B7 RCVR_LD - @pp4c_dev_lib.MLB 7B1 RDVA - @pp4c_dev_lib.MLB 29A3 29B8 RDVA* - @pp4c_dev_lib.MLB 28B6 29A3 29B8 RESET_DET_N - @pp4c_dev_lib.MLB 5D5 20B6 26B7 29B1 5D5 RESET_DET_N_3V3 - @pp4c_dev_lib.MLB 29B3 29C8 RESET_L61_N - @pp4c_dev_lib.MLB 5C4 7C6 RGB<23_0> - @pp4c_dev_lib.MLB 5D5 RESET_N - @pp4c_dev_lib.MLB 2A8 11C7 14C3 25A7 25D6 26C6 RESET_RC_N - @pp4c_dev_lib.MLB 2A7 RES_D1 - @pp4c_dev_lib.MLB 2B5 RES_LINEIN_A_N - @pp4c_dev_lib.MLB 7C2 7D7 RES_LINEIN_A_P - @pp4c_dev_lib.MLB 7C2 7D7 RES_LINEIN_B_N - @pp4c_dev_lib.MLB 7B2 7D4 RES_LINEIN_B_P - @pp4c_dev_lib.MLB 7B2 7D4 RET_SENSE_L - @pp4c_dev_lib.MLB 14B4 REXT_PROX - @pp4c_dev_lib.MLB 23B3 RGB<23_0> - @pp4c_dev_lib.MLB 5D5 RGB<17> - @pp4c_dev_lib.MLB 5A7 5B6 RGB<18> - @pp4c_dev_lib.MLB 5A7 5B6 RGB<19> - @pp4c_dev_lib.MLB 5A7 5B6 RGB<20> - @pp4c_dev_lib.MLB 5A7 5B6 RGB<21> - @pp4c_dev_lib.MLB 5A7 5B6 RGB<22> - @pp4c_dev_lib.MLB 5A7 5B6 RGB<23> - @pp4c_dev_lib.MLB 5A7 5B6 RINGER_A - @pp4c_dev_lib.MLB 8B6 11B8 12B3 RINGER_A_R - @pp4c_dev_lib.MLB 11B7 RST_GPIO_DIR - @pp4c_dev_lib.MLB 29A3 29D8 RTS_CTS - @pp4c_dev_lib.MLB 22B7 R_LINE_IN_CONN - @pp4c_dev_lib.MLB 14A5 14B2 SDRAM+1_8V_1817 - @pp4c_dev_lib.MLB 8B6 8B7 8C6 8D5 8D6 SDRAM+1_8V_J - @pp4c_dev_lib.MLB 26D2 SDRAM_LED - @pp4c_dev_lib.MLB 15B7 SDRAM_LED_D - @pp4c_dev_lib.MLB 15B7 SFLASH_CS_N - @pp4c_dev_lib.MLB 4B3 SHDN - @pp4c_dev_lib.MLB 11B7 24B3 24D6 24D7 SIMCRD_CLK - @pp4c_dev_lib.MLB 13D6 13D7 20A6 SIMCRD_IO - @pp4c_dev_lib.MLB 13D5 13D8 20A6 SIMCRD_RST - @pp4c_dev_lib.MLB 13D6 13D7 20A6 SIM_DETECT* - @pp4c_dev_lib.MLB 13D6 20A6 SIM_DETECT* - @pp4c_dev_lib.MLB 13D7 SIM_VCC - @pp4c_dev_lib.MLB 13D5 13D6 20B6 SMPPOWER_SPKR_CONN_18 17_N - @pp4c_dev_lib.MLB 8B2 SMPPOWER_SPKR_CONN_18 17_P - @pp4c_dev_lib.MLB 8B2 SMPPOWER_SPKR_N - @pp4c_dev_lib.MLB 8B3 SMPPOWER_SPKR_P - @pp4c_dev_lib.MLB 8B3 SPDIF_OUT - @pp4c_dev_lib.MLB 3C5 26B7 SW_BUCK1 - @pp4c_dev_lib.MLB 11C5 SW_BUCK2 - @pp4c_dev_lib.MLB 11C5 TEST_CLOCK_24M - @pp4c_dev_lib.MLB 2A8 12A3 TEST_CLOCK_24M_CONN - @pp4c_dev_lib.MLB 12A2 TEST_H2 - @pp4c_dev_lib.MLB 2B6 TQ0 - @pp4c_dev_lib.MLB 3C7 TQ1 - @pp4c_dev_lib.MLB 3C7 TRACECLK - @pp4c_dev_lib.MLB 20B5 25D7 TRACEPKT<0> - @pp4c_dev_lib.MLB 20B4 25D7	TRACEPKT<1> - @pp4c_dev_lib.MLB 20B4 25D7 TRACEPKT<2> - @pp4c_dev_lib.MLB 20B4 25D7 TRACEPKT<3> - @pp4c_dev_lib.MLB 20B4 25D7 TRACEPKT<4> - @pp4c_dev_lib.MLB 20B4 25D7 TRACEPKT<5> - @pp4c_dev_lib.MLB 20B4 25D7 TRACEPKT<6> - @pp4c_dev_lib.MLB 20B4 25D7 TRACEPKT<7> - @pp4c_dev_lib.MLB 20B5 25D7 TRACESYNC - @pp4c_dev_lib.MLB 20B4 25D7 TRIG_IN - @pp4c_dev_lib.MLB 20B4 25D3 25D8 TRIG_OUT - @pp4c_dev_lib.MLB 25D3 25D7 TRITON_C1M - @pp4c_dev_lib.MLB 30C4 TRITON_C1P - @pp4c_dev_lib.MLB 30C4 TRITON_C2M - @pp4c_dev_lib.MLB 30C4 TRITON_C2P - @pp4c_dev_lib.MLB 30C4 TRITON_CTS - @pp4c_dev_lib.MLB 27C5 RTS_N - @pp4c_dev_lib.MLB 36C6 PP4C_DEV_LIB_USBBRIDGE(i53_page27) TRITON_ENEEP - @pp4c_dev_lib.MLB 28B4 TRITON_ICP_RXD - @pp4c_dev_lib.MLB 29C8 30B3 TRITON_ICP_RXD_RS232 - @pp4c_dev_lib.MLB 30B4 PP4C_DEV_LIB_USBBRIDGE(i53_page27) TRITON_ICP_RXD_RS232_B - @pp4c_dev_lib.MLB 30B3 TRITON_ICP_TXD - @pp4c_dev_lib.MLB 29C6 30B5 TRITON_ICP_TXD_RS232 - @pp4c_dev_lib.MLB 30B3 PP4C_DEV_LIB_USBBRIDGE(i53_page27) TRITON_ICP_TXD_RS232_B - @pp4c_dev_lib.MLB 30B3 TRITON_IOS0 - @pp4c_dev_lib.MLB 28B4 TRITON_IOS1 - @pp4c_dev_lib.MLB 28B4 TRITON_IOS2 - @pp4c_dev_lib.MLB 28B4 TRITON_RB1AS - @pp4c_dev_lib.MLB 28D4 TRITON_RTS - @pp4c_dev_lib.MLB 27C5 CTS_N - @pp4c_dev_lib.MLB 36C6 PP4C_DEV_LIB_USBBRIDGE(i53_page27) TRITON_RXD - @pp4c_dev_lib.MLB 27C5 USB_TO_UART* - @pp4c_dev_lib.MLB 36C5 PP4C_DEV_LIB_USBBRIDGE(i53_page27) TRITON_T2IN - @pp4c_dev_lib.MLB 30B4 TRITON_TXD - @pp4c_dev_lib.MLB 27C5 UART_TO_USB* - @pp4c_dev_lib.MLB 36C5 PP4C_DEV_LIB_USBBRIDGE(i53_page27) TRITON_VM - @pp4c_dev_lib.MLB 30B4 TRITON_VP - @pp4c_dev_lib.MLB 30C3 TRITON_X1_A - @pp4c_dev_lib.MLB 28A4 TRITON_X1_B - @pp4c_dev_lib.MLB 28A4 TRITON_X2 - @pp4c_dev_lib.MLB 28A4 TW_ATT - @pp4c_dev_lib.MLB 2C3 TW_CLK - @pp4c_dev_lib.MLB 2C3 U6_2 - @pp4c_dev_lib.MLB 29C4 U6_3 - @pp4c_dev_lib.MLB 29C4 U6_6 - @pp4c_dev_lib.MLB 29C4 U6_7 - @pp4c_dev_lib.MLB 29C4 U9_2 - @pp4c_dev_lib.MLB 29D4 U9_3 - @pp4c_dev_lib.MLB 29D4 U9_6 - @pp4c_dev_lib.MLB 29D4 U9_7 - @pp4c_dev_lib.MLB 29D4 U33_2 - @pp4c_dev_lib.MLB 29B4 U33_3 - @pp4c_dev_lib.MLB 29A4 U33_5 - @pp4c_dev_lib.MLB 29A4 U33_6 - @pp4c_dev_lib.MLB 29A4 U33_7 - @pp4c_dev_lib.MLB 29B4 U34_2 - @pp4c_dev_lib.MLB 29B4 U34_3 - @pp4c_dev_lib.MLB 29B4 U34_5 - @pp4c_dev_lib.MLB 29B4 U34_6 - @pp4c_dev_lib.MLB 29B4 U34_7 - @pp4c_dev_lib.MLB 29B4 U37_2 - @pp4c_dev_lib.MLB 29B2 U37_3 - @pp4c_dev_lib.MLB 29A2 U37_5 - @pp4c_dev_lib.MLB 29A2 U37_6 - @pp4c_dev_lib.MLB 29A1 U37_7 - @pp4c_dev_lib.MLB 29A1 U38_2 - @pp4c_dev_lib.MLB 29C2 U38_3 - @pp4c_dev_lib.MLB 29C2 U38_6 - @pp4c_dev_lib.MLB 29C1 U38_7 - @pp4c_dev_lib.MLB 29C1 U39_2 - @pp4c_dev_lib.MLB 29B2 U39_3 - @pp4c_dev_lib.MLB 29B2 U39_6 - @pp4c_dev_lib.MLB 29B1 U39_7 - @pp4c_dev_lib.MLB 29B1 U40_2 - @pp4c_dev_lib.MLB 29D2 U40_3 - @pp4c_dev_lib.MLB 29D2 U40_6 - @pp4c_dev_lib.MLB 29D1 U40_7 - @pp4c_dev_lib.MLB 29D1 UART1_BRIDGE_CTS_N - @pp4c_dev_lib.MLB 22C4 22D3 PP4C_DEV_LIB_USBBRIDGE(i1_page22) RTS_N - @pp4c_dev_lib.MLB 32C6 PP4C_DEV_LIB_USBBRIDGE(i1_page22) UART1_BRIDGE_RTS_N - @pp4c_dev_lib.MLB 22C4 22D5 CTS_N - @pp4c_dev_lib.MLB 32C6 PP4C_DEV_LIB_USBBRIDGE(i1_page22) UART1_BRIDGE_RXD - @pp4c_dev_lib.MLB 22D3 22D4 USB_TO_UART* - @pp4c_dev_lib.MLB 32C5 PP4C_DEV_LIB_USBBRIDGE(i1_page22) UART1_BRIDGE_TXD - @pp4c_dev_lib.MLB 22C3 22D4 22D5 UART_TO_USB* - @pp4c_dev_lib.MLB 32C5 PP4C_DEV_LIB_USBBRIDGE(i1_page22) UART1_TXD - @pp4c_dev_lib.MLB 20D4 22C4 22C4 UART2_BRIDGE_RXD - @pp4c_dev_lib.MLB 22D1 22D2 USB_TO_UART* - @pp4c_dev_lib.MLB 34C1 PP4C_DEV_LIB_USBBRIDGE(i3_page22) UART2_RXD - @pp4c_dev_lib.MLB 20C5 22C2 22D2 UART2_TXD - @pp4c_dev_lib.MLB 20C5 22C2 22C2 UART3_BRIDGE_CTS_N - @pp4c_dev_lib.MLB 22A4 22B3 RTS_N - @pp4c_dev_lib.MLB 33C6 PP4C_DEV_LIB_USBBRIDGE(i26_page22) UART3_BRIDGE_RTS_N - @pp4c_dev_lib.MLB 22A4 22B5 CTS_N - @pp4c_dev_lib.MLB 33C6 PP4C_DEV_LIB_USBBRIDGE(i26_page22) UART3_BRIDGE_RXD - @pp4c_dev_lib.MLB 22B3 22B4 USB_TO_UART* - @pp4c_dev_lib.MLB 33C5 PP4C_DEV_LIB_USBBRIDGE(i26_page22) UART3_BRIDGE_TXD - @pp4c_dev_lib.MLB 22A3 22B4 22B5 UART_TO_USB* - @pp4c_dev_lib.MLB 33C5 UFL_500HM - @pp4c_dev_lib.MLB 24C7 UMTS_JTAG_RESET - @pp4c_dev_lib.MLB 25D2 UMTS_RTCK - @pp4c_dev_lib.MLB 20B4 25D2	UMTS_RXD - @pp4c_dev_lib.MLB 20B7 20C2 UMTS_RXD_CTRL - @pp4c_dev_lib.MLB 5D4 20C4 RGB<23_0> - @pp4c_dev_lib.MLB 5D5 UMTS_TDI - @pp4c_dev_lib.MLB 20A5 25D2 UMTS_TDO - @pp4c_dev_lib.MLB 20A4 25D2 UMTS_TMS - @pp4c_dev_lib.MLB 20B4 25D2 UMTS_TRST_N - @pp4c_dev_lib.MLB 20A4 25D2 UMTS_TXD - @pp4c_dev_lib.MLB 20B7 20C4 20D8 USBC_CABLE_DET_3V3 - @pp4c_dev_lib.MLB 29A8 30B5 PP4C_DEV_LIB_USBBRIDGE(i26_page22) USBC_CABLE_DET_3V3_B - @pp4c_dev_lib.MLB 30B6 PP4C_DEV_LIB_USBBRIDGE(i26_page22) USBC_N - @pp4c_dev_lib.MLB 29C6 30B7 USBC_N_J - @pp4c_dev_lib.MLB 30B7 USBC_P - @pp4c_dev_lib.MLB 29C6 30B7 USBC_P_J - @pp4c_dev_lib.MLB 30B7 USBC_P_PULLUP - @pp4c_dev_lib.MLB 29A8 30B7 USBH_N - @pp4c_dev_lib.MLB 29C6 USBH_P - @pp4c_dev_lib.MLB 29C6 USB_BRICKID - @pp4c_dev_lib.MLB 2C6 11C7 11D7 USB_DM - @pp4c_dev_lib.MLB 2C6 14C4 USB_DM_DOCK - @pp4c_dev_lib.MLB 14C2 USB_DP - @pp4c_dev_lib.MLB 2C6 14C4 USB_DP_DOCK - @pp4c_dev_lib.MLB 14C2 USB_PWR_NO_PROTECT - @pp4c_dev_lib.MLB 13B8 14D4 PP4C_DEV_LIB_USBBRIDGE(i26_page22) USB_PWR_PROT - @pp4c_dev_lib.MLB 11C7 13B7 USB_PWR_SNS_R - @pp4c_dev_lib.MLB 15D7 USB_REXT - @pp4c_dev_lib.MLB 2C6 USB_SW_GATE - @pp4c_dev_lib.MLB 13A7 USB_VBUS - @pp4c_dev_lib.MLB 2C6 VBATT_SNS - @pp4c_dev_lib.MLB 11B7 24D2 VBIAS - @pp4c_dev_lib.MLB 23C4 23D2 VBUCK2_1.8V - @pp4c_dev_lib.MLB 11C2 11C4 VBUCK2_1.8V_N - @pp4c_dev_lib.MLB 11C2 26D4 VBUCK2_1.8V_P - @pp4c_dev_lib.MLB 11C2 26D3 26D5 VBUCK2_3_FB - @pp4c_dev_lib.MLB 11C5 BUCK3 - @pp4c_dev_lib.MLB 11A3 11C2 VBUCK3_FB - @pp4c_dev_lib.MLB 11C5 VBUS_OV - @pp4c_dev_lib.MLB 11C7 13A6 VBUS_PRO			

	8	7	6	5	4	3	2	1
D	FL13 FILTER_2P_0201 mlb[14A4] FL14 FILTER_2P_0201 mlb[14A4] FL15 FILTER_2P_0201 mlb[14A4] FL16 FILTER_2P_0201 mlb[10D4] FL17 FILTER_2P_0402 mlb[14C5] FL18 FILTER_2P_0201 mlb[14B7] FL19 FILTER_2P_0201 mlb[14A7] FL20 FILTER_2P_0201 mlb[14A7] FL21 FILTER_2P_0201 mlb[14A7] FL22 FILTER_2P_0201 mlb[14B5] FL23 FILTER_2P_0201 mlb[14B5] FL24 FILTER_2P_0402 mlb[14B4] FL25 FILTER_2P_0201 mlb[13C7] FL26 FILTER_2P_0402 mlb[9C5] FL27 FILTER_2P_0402 mlb[9C5] FL28 FILTER_2P_0201 mlb[9D4] FL29 FILTER_2P_0201 mlb[9C4] FL30 FILTER_2P_0201 mlb[2C7] FL31 FILTER_2P_0201 mlb[2D7] FL32 FILTER_2P_0201 mlb[2C2] FL34 FILTER_2P_0201 mlb[7D7] FL35 FILTER_2P_0201 mlb[7D3] FL36 FILTER_2P_0201 mlb[7C3] FL40 FILTER_2P_0402 mlb[14D3] FL41 FILTER_2P_0402 mlb[14B3] J1 CON_M34ST_D_TH_M-ST- mlb[5A8] TH	J1_1 CON_F5RT_USB_S4MT_SM usbbridge[32C2]mlb[22] _F-RT-SM J1_2 CON_F5RT_USB_S4MT_SM usbbridge[34C2]mlb[22] _F-RT-SM J1_3 CON_F5RT_USB_S4MT_SM usbbridge[33C2]mlb[22] _F-RT-SM J1_4 CON_F5RT_USB_S4MT_SM usbbridge[35C2]mlb[22] _F-RT-SM J1_5 CON_F5RT_USB_S4MT_SM usbbridge[36C2]mlb[27] _F-RT-SM J2 CON_F30RT_S4MT_SM_F- mlb[14C1] RT-SM J3 CON_F9RT_D2MT_TH1_F- mlb[22B7] RT-TH J4 CON_M3ST_S_TH_M-ST-T mlb[20C4] H J5 CON_M34ST_D_TH_M-ST- mlb[26D7] TH J6 CON_M64ST_D_SM_M68_M mlb[20B7] _ST-SM J7 CON_M34ST_D_TH_M-ST- mlb[26C7] TH J8 CON_M20ST_D_TH1_M-ST- mlb[25D4] -TH J9 CON_F38ST_D5MT_SM_F- mlb[25D7] ST-MICRO-SM J11 CON_SIMCARD_SP_SM_SI mlb[13D7] MCARD-SKT-ST-SM J12 CON_M3ST_S_TH_M-ST-T mlb[20C4] H J14 CON_M20ST_D_TH2_M-ST mlb[16B3] -TH J15 CON_RJ11_4RT_D_TH_F- mlb[8A3] RT-TH J16 CON_M10ST_D_TH1_M-ST mlb[25C7] -TH J17 CON_M20ST_D_TH2_M-ST mlb[16A3] -TH J18 CON_F200RT_DDRDIMM_2 mlb[29D7] MT SM_F-RT-SM J19 CON_M20ST_D_TH2_M-ST mlb[17B4] -TH J20 CON_M20ST_D_TH2_M-ST mlb[17B2] -TH J22 CON_M2ST_100P_TH mlb[20C2] J23 CON_M2ST_100P_TH mlb[20C2] J24 CON_RJ45_SHORT_4MT_T mlb[28D1] H_F-RT-TH-RJ45 J25 CON_F5RT_AUDJCK_SM2_ mlb[10C2] F-RT-SM J26 CON_M2ST_100P_TH mlb[20C2] J27 CON_F9RT_D2MT_TH1_F- mlb[30B2] RT-TH J28 CON_M2ST_100P_TH mlb[20C2] J29 CON_M2ST_100P_TH mlb[20B2] J30 CON_M2ST_100P_TH mlb[20B2] J31 CON_M2ST_100P_TH mlb[7D8] J32 CON_F64ST_D_SM_F-ST- mlb[20B4] SM J33 CON_M20ST_D_TH1_M-ST mlb[25D1] -TH J34 CON_F2ST_COAX_S2MT_S mlb[24C7] M_F-ST-SM J35 CON_M2ST_100P_TH mlb[16D8] J36 CON_M3ST_S_TH_M-ST-T mlb[25A3] H J37 CON_M20ST_D_TH2_M-ST mlb[4D1] -TH J38 CON_M2ST_100P_TH mlb[16C5] J39 CON_M2ST_100P_TH mlb[28A4] J40 CON_M3ST_S_TH_M-ST-T mlb[25A3] H J41 CON_M2ST_100P_TH mlb[29A3] J47 CON_F2RT_S_TH1_F-RT- mlb[14A7] TH-RED J48 CON_F2RT_S_TH1_F-RT- mlb[14A7] TH-WHT J49 CON_F2RT_S_TH1_F-RT- mlb[14B6] TH-RED J50 CON_F2RT_S_TH1_F-RT- mlb[14B6] TH-WHT J56 CON_M2ST_100P_TH mlb[22B6] J57 CON_M20ST_D_TH2_M-ST mlb[22A7] -TH J58 CON_M2ST_100P_TH mlb[22C6] J59 CON_M3ST_S_TH_M-ST-T mlb[22D4] H J60 CON_M3ST_S_TH_M-ST-T mlb[22C4] H J61 CON_M2ST_100P_TH mlb[22C4] J62 CON_M2ST_100P_TH mlb[22C4] J63 CON_M3ST_S_TH_M-ST-T mlb[22B4] H J64 CON_M3ST_S_TH_M-ST-T mlb[22B4] H J65 CON_M3ST_S_TH_M-ST-T mlb[22A4] H	J66 CON_M3ST_S_TH_M-ST-T mlb[22A4] H J67 CON_M2ST_100P_TH mlb[22A4] J68 CON_M2ST_100P_TH mlb[22A4] J73 CON_M3ST_S_TH_M-ST-T mlb[22D2] H J74 CON_M3ST_S_TH_M-ST-T mlb[22D2] H J77 CON_M2ST_100P_TH mlb[22C2] J78 CON_M2ST_100P_TH mlb[22C2] J81 CON_M34ST_D_TH_M-ST- mlb[26D5] TH J84 CON_M34ST_D_TH_M-ST- mlb[26D2] TH J87 CON_M20ST_D_TH1_M-ST mlb[25D3] -TH J90 CON_F1RT_S4MT_SM_F-R mlb[24C8] T-SM J92 CON_M2ST_S_TH_M-ST-T mlb[13D3] H J95 CON_M2ST_100P_TH mlb[24D4] J97 CON_M2ST_100P_TH mlb[24C2] J98 CON_M2ST_100P_TH mlb[24C2] J99 CON_1ST_BINDING_POST mlb[24C1] _ST-TH-RED J100 CON_1ST_BINDING_POST mlb[24B1] _ST-TH-BLK J101 CON_F3RT_S_TH1_F-RT- mlb[24B1] TH J102 CON_M2ST_S_TH_M-ST-T mlb[25B6] H J103 CON_M2ST_100P_TH mlb[27B7] J104 CON_M2ST_100P_TH mlb[27B7] J105 CON_M2ST_S_TH_M-ST-T mlb[8D7] H J107 CON_M20ST_D_TH2_M-ST mlb[12A6] TH J108 CON_M3ST_S_TH_M-ST-T mlb[25D5] H J109 CON_M3ST_S_TH_M-ST-T mlb[25D5] H J112 CON_F5RT_USB_S4MT_SM mlb[30B7] _F-RT-SM J122 CON_M3ST_S_TH_M-ST-T mlb[25D2] H J123 CON_M3ST_S_TH_M-ST-T mlb[25D3] H J124 CON_M3ST_S_TH_M-ST-T mlb[25D1] H J125 CON_M3ST_S_TH_M-ST-T mlb[25D3] H J128 CON_F4RT_MINIDIN_3MT mlb[6B5] _TH_F-RT-TH J129 CON_M10ST_D_TH2_M-ST mlb[21B6] -TH J131 CON_M20ST_D_TH1_M-ST mlb[28B2] -TH J133 CON_M20ST_D_TH1_M-ST mlb[25B2] -TH J134 CON_M20ST_D_TH1_M-ST mlb[21D3] -TH J138 CON_M10ST_D_TH2_M-ST mlb[21B6] -TH J140 CON_M2ST_S_TH_M-ST-T mlb[25A5] H J141 CON_M20ST_D4MT_SM_M- mlb[16A6] ST-SM J143 CON_F5RT_AUDJCK_SM2_ mlb[9C2] F-RT-SM J144 CON_M20ST_D_TH1_M-ST mlb[16C1] -TH J148 CON_M16ST_D_SMA_M-ST mlb[4B6] -SM J149 CON_M16ST_D_SMA_M-ST mlb[4A6] -SM J150 CON_M2ST_100P_TH mlb[7D8] J152 CON_M3ST_S_TH_M-ST-T mlb[7B1] H J153 CON_M2ST_100P_TH mlb[7D2] J156 CON_M3ST_S_TH_M-ST-T mlb[25B3] H J158 CON_M3ST_S_TH_M-ST-T mlb[7B7] H J159 CON_M2ST_100P_TH mlb[8D6] J160 CON_M2ST_100P_TH mlb[8D4] J161 CON_M2ST_100P_TH mlb[9C4] J184 CON_F1RT_S4MT_SM_F-R mlb[12A1] T-SM J190 CON_M3ST_S_TH_M-ST-T mlb[7A3] H J191 CON_M2ST_100P_TH mlb[7D3] J192 CON_M3ST_S_TH_M-ST-T mlb[8B1] H J193 CON_M3ST_S_TH_M-ST-T mlb[11A2] H J194 CON_M3ST_S_TH_M-ST-T mlb[11A2] H J196 CON_M30ST_D4MT_SM_M- mlb[16D2] ST-SM J197 CON_F1RT_S4MT_SM_F-R mlb[7C7] T-SM J198 CON_F1RT_S4MT_SM_F-R mlb[7C7] T-SM J199 CON_M3ST_S_TH_M-ST-T mlb[7D6] H J200 CON_M3ST_S_TH_M-ST-T mlb[7D4] H J201 CON_M2ST_100P_TH mlb[7A5] J202 CON_M3ST_S_TH_M-ST-T mlb[7D5] H J204 CON_M3ST_S_TH_M-ST-T mlb[7C1] H J206 CON_F2RT_S_TH1_F-RT- mlb[9D2] TH-RED J207 CON_F2RT_S_TH1_F-RT- mlb[9C2] TH-WHT J212 CON_M2ST_100P_TH mlb[7B7] J213 CON_M2ST_100P_TH mlb[7B1] J239 CON_M24ST_T_TH_M-ST- mlb[12B7] TH J240 CON_M24ST_T_TH_M-ST- mlb[12C7] TH J241 CON_M24ST_T_TH_M-ST- mlb[12D7] TH	J246 CON_M3ST_S_TH_M-ST-T mlb[22C4] H J247 CON_M3ST_S_TH_M-ST-T mlb[22C4] H J254 CON_F6RT_D2MT_RCA_TH mlb[6C6] _F-RT-TH J256 CON_M24ST_T_TH_M-ST- mlb[12B6] TH J257 CON_M2ST_100P_TH mlb[12B5] J260 CON_M30ST_D4MT_SM_M- mlb[17A4] ST-SM J264 CON_F32RT_D_SM_F-RT- mlb[17D1] SM L8 IND_0603-HF mlb[17A7] L10 IND_VLS4012-SM mlb[11D6] L15 IND_VLS3012-SM-HF mlb[11C4] L16 IND_VLS3012-SM-HF mlb[11C4] L17 IND_VLS3012-SM-HF mlb[11C4] L18 IND_VLS3012-SM-HF mlb[11A4] L19 IND_LQZ2MC-SM mlb[13B2] L23 FILTER_4P_TCM1005 mlb[14C4] L29 FILTER_2P_0402 mlb[10C5] L30 FILTER_2P_0402 mlb[10C5] P01 PHOTODIODE_2SM_SM mlb[23D3] Q1 TRA_NCH_SCHOT_6P_WDF mlb[11A5 11A5] N Q1_1 TRA_DUAL_MOSFET_NCHN usbbridge[32A4 32A5]mlb[22] 3_SOT-963 Q1_2 TRA_DUAL_MOSFET_NCHN usbbridge[34A4 34A5]mlb[22] 3_SOT-963 Q1_3 TRA_DUAL_MOSFET_NCHN usbbridge[33A4 33A5]mlb[22] 3_SOT-963 Q1_4 TRA_DUAL_MOSFET_NCHN usbbridge[35A4 35A5]mlb[22] 3_SOT-963 Q1_5 TRA_DUAL_MOSFET_NCHN usbbridge[36A4 36A5]mlb[27] 3_SOT-963 Q6 TRA_NCH_SCHOT_6P_WDF mlb[13C3 13D3] N Q9 TRA_S18409DB_BGA mlb[13A7] Q10 TRA_NPCH_DMC2004LP1_ mlb[24B4 24B3] DFN1612 Q11 TRA_DUAL_MOSFET_NCHN mlb[25A5 25A6] 3_SOT-963 Q12 TRA_DUAL_MOSFET_NCHN mlb[15D7 15D3] 3_SOT-963 Q13 TRA_DUAL_MOSFET_NCHN mlb[15D1 15D2] 3_SOT-963 Q14 TRA_DUAL_MOSFET_NCHN mlb[15D5 15D6] 3_SOT-963 Q15 TRA_SINGLE_MOSFET_PC mlb[28B7] HN_SOT-323 Q16 TRA_S18409DB_BGA mlb[13A6] Q17 TRA_SINGLE_MOSFET_PC mlb[28A7] HN_SOT-323 Q18 TRA_SINGLE_MOSFET_PC mlb[28C7] HN_SOT-323 Q19 TRA_MOSFET_NCHN_3P_S mlb[23C5] OT883L Q20 TRA_DUAL_MOSFET_NCHN mlb[15C7 15C6] 3_SOT-963 Q22 TRA_DUAL_MOSFET_NCHN mlb[15C5 15C4] 3_SOT-963 Q23 TRA_DUAL_MOSFET_NCHN mlb[25B6 25B7] 3_SOT-963 Q24 TRA_DUAL_MOSFET_NCHN mlb[25B6 25B7] 3_SOT-963 Q25 TRA_DUAL_MOSFET_NCHN mlb[25A7 25A8] 3_SOT-963 Q26 TRA_DUAL_MOSFET_NCHN mlb[15A8 15A7] 3_SOT-963 Q27 TRA_DUAL_MOSFET_NCHN mlb[15A6 15A4] 3_SOT-963 Q28 TRA_DUAL_MOSFET_NCHN mlb[15C4 15C3] 3_SOT-963 Q29 TRA_DUAL_MOSFET_NCHN mlb[15D4 15D8] 3_SOT-963 Q30 TRA_MOSFET_NCHN_3P_S mlb[13D6] OT883L Q33 TRA_MOSFET_NCHN_3P_S mlb[21A5] OT883L Q34 TRA_MOSFET_NCHN_3P_S mlb[21A5] OT883L Q37 TRA_DUAL_MOSFET_NCHN mlb[15A3 15A3] 3_SOT-963 Q38 TRA_DUAL_NPCH_NTVU31 mlb[13A3 13B1] 27C1_SOT-963 R1 RES_201 mlb[29A4] R1_1 RES_201 usbbridge[32A6]mlb[22] R1_2 RES_201 usbbridge[34A6]mlb[22] R1_3 RES_201 usbbridge[33A6]mlb[22] R1_4 RES_201 usbbridge[35A6]mlb[22] R1_5 RES_201 usbbridge[36A6]mlb[27] R2 RES_201 mlb[28A5] R2_1 RES_201 usbbridge[32A6]mlb[22] R2_2 RES_201 usbbridge[34A6]mlb[22] R2_3 RES_201 usbbridge[33A6]mlb[22] R2_4 RES_201 usbbridge[35A6]mlb[22] R2_5 RES_201 usbbridge[36A6]mlb[27] R3 RES_201 mlb[28A5] R3_1 RES_201 usbbridge[32B5]mlb[22] R3_2 RES_201 usbbridge[34B5]mlb[22] R3_3 RES_201 usbbridge[33B5]mlb[22] R3_4 RES_201 usbbridge[35B5]mlb[22] R3_5 RES_201 usbbridge[36B5]mlb[27] R4 RES_201 mlb[28D4] R4_1 RES_201 usbbridge[32C5]mlb[22] R4_2 RES_201 usbbridge[34C5]mlb[22] R4_3 RES_201 usbbridge[33C5]mlb[22] R4_4 RES_201 usbbridge[35C5]mlb[22] R4_5 RES_201 usbbridge[36C5]mlb[27] R5 RES_201 mlb[28A4] R5_1 RES_201 usbbridge[32C5]mlb[22] R5_2 RES_201 usbbridge[34C5]mlb[22] R5_3 RES_201 usbbridge[33C5]mlb[22] R5_4 RES_201 usbbridge[35C5]mlb[22] R5_5 RES_201 usbbridge[36C5]mlb[27] R6 RES_201 mlb[28D4] R6_1 RES_201 usbbridge[32D5]mlb[22] R6_2 RES_201 usbbridge[34D5]mlb[22] R6_3 RES_201 usbbridge[33D5]mlb[22] R6_4 RES_201 usbbridge[35D5]mlb[22] R6_5 RES_201 usbbridge[36D5]mlb[27] R7 RES_201 mlb[28D4] R7_1 RES_201 usbbridge[32B3]mlb[22]	R7_2 RES_201 usbbridge[34B3]mlb[22] R7_3 RES_201 usbbridge[33B3]mlb[22] R7_4 RES_201 usbbridge[35B3]mlb[22] R7_5 RES_201 usbbridge[36B3]mlb[27] R8 RES_402-HF mlb[2C2] R8_1 RES_201 usbbridge[32C4]mlb[22] R8_2 RES_201 usbbridge[34C4]mlb[22] R8_3 RES_201 usbbridge[33C4]mlb[22] R8_4 RES_201 usbbridge[35C4]mlb[22] R8_5 RES_201 usbbridge[36C4]mlb[27] R9 RES_201 mlb[28D4] R9_1 RES_201 usbbridge[32B3]mlb[22] R9_2 RES_201 usbbridge[34B3]mlb[22] R9_3 RES_201 usbbridge[33B3]mlb[22] R9_4 RES_201 usbbridge[35B3]mlb[22] R9_5 RES_201 usbbridge[36B3]mlb[27] R10 RES_201 mlb[28D4] R11 RES_201 mlb[28B3] R12 RES_201 mlb[28D4] R13 RES_201 mlb[28C3] R14 RES_201 mlb[28C3] R15 RES_201 mlb[28D3] R16 RES_402-HF mlb[3D6] R17 RES_402 mlb[3C2] R18 RES_201 mlb[28A3] R19 RES_201 mlb[28C2] R20 RES_201 mlb[28C2] R21 RES_201 mlb[28C2] R22 RES_402 mlb[3D2] R23 RES_201 mlb[28C2] R24 RES_201 mlb[28C2] R25 RES_201 mlb[28C2] R26 RES_201 mlb[28C1] R27 RES_201 mlb[2C2] R28 RES_201 mlb[4C6] R29 RES_402-HF mlb[3D8] R30 RES_201 mlb[28C1] R31 RES_201 mlb[4D5] R32 RES_201 mlb[2A7] R33 RES_402-1 mlb[2A7] R34 RES_201 mlb[5A6] R35 RES_201 mlb[3B5] R36 RES_201 mlb[3C4] R37 RES_201 mlb[8A6] R38 RES_201 mlb[13A6] R39 RES_201 usbbridge[32B4]mlb[22] R40 RES_201 mlb[2A6] R41 RES_201 usbbridge[32C3]mlb[22] R42 RES_201 mlb[2C7] R43 RES_201 usbbridge[32C3]mlb[22] R44 RES_201 mlb[2C6] R45 RES_201 usbbridge[32A3]mlb[22] R46 RES_201 usbbridge[32A3]mlb[22] R47 RES_201 usbbridge[32A3]mlb[22] R48 RES_201 usbbridge[33B4]mlb[22] R49 RES_201 mlb[5C8] R50 RES_201 usbbridge[33C3]mlb[22] R51 RES_201 mlb[10D6] R52 RES_201 mlb[10D6] R53 RES_201 mlb[6C4] R54 RES_201 mlb[4D6] R55 RES_201 mlb[4D5] R56 RES_201 usbbridge[33C3]mlb[22] R57 RES_201 mlb[4D5] R58 RES_201 usbbridge[33A3]mlb[22] R59 RES_201 mlb[10C7] R60 RES_201 usbbridge[33A3]mlb[22] R61 RES_201 usbbridge[33A3]mlb[22] R62 RES_201 mlb[10C7] R63 RES_201 usbbridge[35B4]mlb[22] R64 RES_201 usbbridge[35C3]mlb[22] R65 RES_201 usbbridge[35C3]mlb[22] R66 RES_201 usbbridge[35A3]mlb[22] R67 RES_201 usbbridge[35A3]mlb[22] R68 RES_201 usbbridge[35A3]mlb[22] R69 RES_201 usbbridge[34B4]mlb[22] R70 RES_201 usbbridge[34C3]mlb[22] R71 RES_201 mlb[6D6] R72 RES_201 mlb[6C6] R73 RES_201 mlb[6C6] R74 RES_201 mlb[6D4] R75 RES_201 mlb[6C4] R76 RES_201 mlb[6C4] R77 RES_201 mlb[6C4] R78 RES_201 mlb[6C4] R79 RES_201 mlb[6C4] R80 RES_201 usbbridge[34C3]mlb[22] R81 RES_201 usbbridge[34A3]mlb[22] R82 RES_201 usbbridge[34A3]mlb[22] R83 RES_201 mlb[11A6] R84 RES_201 mlb[23C5] R85 RES_201 usbbridge[34A3]mlb[22] R86 RES_201 usbbridge[36B4]mlb[27] R87 RES_201 usbbridge[36C3]mlb[27] R88 RES_201 usbbridge[36C3]mlb[27] R89 RES_201 usbbridge[36A3]mlb[27] R90 RES_201 usbbridge[36A3]mlb[27] R91 RES_201 usbbridge[36A3]mlb[27] R94 RES_402-1 mlb[2A7] R95 RES_201 mlb[9B6] R96 RES_201 mlb[11A6] R97 RES_402 mlb[11A6] R98 RES_201 mlb[14A4] R99 RES_201 mlb[16C4] R100 RES_201 mlb[17A8] R101 RES_201 mlb[17A5] R102 RES_201 mlb[17D5] R103 RES_201 mlb[17D2] R104 RES_402 mlb[3B5] R105 RES_402 mlb[3A5] R106 RES_402 mlb[3A5] R107 RES_402 mlb[3A5] R108 RES_402 mlb[3A5] R109 RES_402 mlb[3A5] R110 RES_201 mlb[20D6] R111 RES_201 mlb[5B5] R112 RES_201 mlb[16D8] R113 RES_402 mlb[13B1] R114 RES_402 mlb[16C3] R115 RES_201 mlb[14C2] R116 RES_201 mlb[22D8] R117 RES_201 mlb[22D7] R118 RES_201 mlb[22D7] R119 RES_201 mlb[22D6]	C	B	A
	8	7	6	5	4	3	2	1

8			7			6			5			4			3			2			1		
R120	RES_201	mlb[22C6]	R349	RES_402	mlb[11A3]	R600	RES_402-HF	mlb[16B4]	S9	SWI_TACT_4P1_SM	mlb[12B4]	S9	SWI_TACT_4P1_SM	mlb[12B4]									
R121	RES_402	mlb[21D5]	R357	RES_201	mlb[15D4]	R601	RES_201	mlb[7A3]	S10	SWI_TACT_4P1_SM	mlb[12A4]	S10	SWI_TACT_4P1_SM	mlb[12A4]									
R122	RES_201	mlb[20D4]	R360	RES_201	mlb[24D2]	R602	RES_201	mlb[7A3]	S11	SWI_TACT_4P1_SM	mlb[12C5]	S11	SWI_TACT_4P1_SM	mlb[12C5]									
R124	RES_201	mlb[20C3]	R361	RES_201	mlb[24C2]	R603	RES_201	mlb[7C3]	S12	SWI_TACT_4P1_SM	mlb[12C4]	S12	SWI_TACT_4P1_SM	mlb[12C4]									
R127	RES_201	mlb[29C2]	R362	RES_402	mlb[3D2]	R604	RES_201	mlb[7B3]	S13	SWI_SLIDE_2P_2MT_SM	mlb[12B4]	S13	SWI_SLIDE_2P_2MT_SM	mlb[12B4]									
R129	RES_201	mlb[58B]	R364	RES_201	mlb[9C6]	R605	RES_201	mlb[7C3]	S15	SWI_TACT_4P1_SM	mlb[25C1]	S15	SWI_TACT_4P1_SM	mlb[25C1]									
R134	RES_201	mlb[10C3]	R365	RES_201	mlb[9C6]	R606	RES_201	mlb[7B3]	S16	SWI_TACT_4P1_SM	mlb[24C7]	S16	SWI_TACT_4P1_SM	mlb[24C7]									
R136	RES_201	mlb[24C4]	R372	RES_201	mlb[29B1]	R607	RES_201	mlb[7C1]	S17	SWI_TACT_4P1_SM	mlb[26A2]	S17	SWI_TACT_4P1_SM	mlb[26A2]									
R139	RES_201	mlb[24D4]	R376	RES_201	mlb[17A7]	R608	RES_201	mlb[7C1]	S19	SWI_8PAK_SM-LF	mlb[5A6]	S19	SWI_8PAK_SM-LF	mlb[5A6]									
R141	RES_201	mlb[17B8]	R377	RES_201	mlb[17A6]	R619	RES_1206	mlb[7B6]	S20	SWI_8PAK_SM-LF	mlb[5A5]	S20	SWI_8PAK_SM-LF	mlb[5A5]									
R143	RES_201	mlb[17B8]	R378	RES_201	mlb[17A6]	R620	RES_1206	mlb[7B6]	S21	SWI_8PAK_SM-LF	mlb[16D3]	S21	SWI_8PAK_SM-LF	mlb[16D3]									
R149	RES_201	mlb[15B8]	R380	RES_201	mlb[17B6]	R621	RES_1206	mlb[7B6]	S28	SWI_TACT_4P1_SM	mlb[17B5]	S28	SWI_TACT_4P1_SM	mlb[17B5]									
R150	RES_201	mlb[10D6]	R383	RES_201	mlb[17C5]	R622	RES_1206	mlb[7B6]	SW1	SWI_ROTARY_RTAP_DP_T	mlb[9B5]	SW1	SWI_ROTARY_RTAP_DP_T	mlb[9B5]									
R153	RES_201	mlb[10C6]	R387	RES_201	mlb[15C7]	R623	RES_1206	mlb[7B1]															
R154	RES_201	mlb[10C6]	R388	RES_201	mlb[15C6]	R624	RES_1206	mlb[7B1]															
R155	RES_201	mlb[15B7]	R390	RES_201	mlb[15C5]	R625	RES_201	mlb[9D7]	SW2	SWI_ROTARY_RTAP_DP_T	mlb[9A5]	SW2	SWI_ROTARY_RTAP_DP_T	mlb[9A5]									
R156	RES_201	mlb[15B7]	R392	RES_201	mlb[15C4]	R626	RES_201	mlb[9B6]	SW3	SWI_ROTARY_RTAP_DP_T	mlb[14D5]	SW3	SWI_ROTARY_RTAP_DP_T	mlb[14D5]									
R157	RES_201	mlb[15B6]	R393	RES_201	mlb[15C4]	R627	RES_201	mlb[9A6]	SW4	SWI_ROTARY_RTAP_DP_T	mlb[14C5]	SW4	SWI_ROTARY_RTAP_DP_T	mlb[14C5]									
R158	RES_201	mlb[15B5]	R394	RES_402	mlb[17C6]	R628	RES_201	mlb[9D6]															
R159	RES_201	mlb[25B4]	R395	RES_201	mlb[29D5]	R629	RES_402	mlb[9B6]															
R160	RES_201	mlb[25B4]	R396	RES_201	mlb[29B5]	R630	RES_402	mlb[9A6]	T1	XFR_100BT_MDIX_XFMR	mlb[28D3]	T1	XFR_100BT_MDIX_XFMR	mlb[28D3]									
R161	RES_201	mlb[25B4]	R397	RES_201	mlb[29A5]	R631	RES_402	mlb[9B6]	TP1	TP_SM-TP25-TOP	mlb[3C8]	TP1	TP_SM-TP25-TOP	mlb[3C8]									
R162	RES_201	mlb[25B3]	R398	RES_201	mlb[29D5]	R632	RES_402	mlb[9A6]	TP2	TP_SM-TP25-TOP	mlb[3B8]	TP2	TP_SM-TP25-TOP	mlb[3B8]									
R163	RES_201	mlb[25B3]	R399	RES_201	mlb[29C5]	R633	RES_402	mlb[9B6]	TP3	TP_TP-5016-SM	mlb[31D6]	TP3	TP_TP-5016-SM	mlb[31D6]									
R164	RES_201	mlb[25B3]	R400	RES_201	mlb[29C5]	R634	RES_402	mlb[9A6]	TP4	TP_SM-TP25-TOP	mlb[3B5]	TP4	TP_SM-TP25-TOP	mlb[3B5]									
R165	RES_201	mlb[11C8]	R401	RES_201	mlb[29B4]	R635	RES_402	mlb[9B6]	TP5	TP_TP-5016-SM	mlb[10B2]	TP5	TP_TP-5016-SM	mlb[10B2]									
R167	RES_201	mlb[25B3]	R402	RES_201	mlb[29B2]	R636	RES_402	mlb[9A6]	TP6	TP_SM-TP25-TOP	mlb[3B5]	TP6	TP_SM-TP25-TOP	mlb[3B5]									
R168	RES_201	mlb[25B2]	R403	RES_201	mlb[29C2]	R637	RES_201	mlb[9A4]	TP7	TP_SM-TP25-TOP	mlb[3B5]	TP7	TP_SM-TP25-TOP	mlb[3B5]									
R169	RES_201	mlb[25B2]	R404	RES_201	mlb[29B2]	R638	RES_201	mlb[9A4]	TP8	TP_TP-5016-SM	mlb[31D6]	TP8	TP_TP-5016-SM	mlb[31D6]									
R170	RES_201	mlb[24B4]	R405	RES_201	mlb[29D2]	R639	RES_201	mlb[9A4]	TP9	TP_TP-5016-SM	mlb[31D6]	TP9	TP_TP-5016-SM	mlb[31D6]									
R172	RES_201	mlb[13D8]	R406	RES_201	mlb[29D2]	R640	RES_201	mlb[9A4]	TP10	TP_SM-TP25-TOP	mlb[3B5]	TP10	TP_SM-TP25-TOP	mlb[3B5]									
R173	RES_201	mlb[24B4]	R407	RES_201	mlb[29C2]	R641	RES_201	mlb[9B3]	TP11	TP_TP-5016-SM	mlb[31D8]	TP11	TP_TP-5016-SM	mlb[31D8]									
R179	RES_201	mlb[25D5]	R408	RES_201	mlb[29B2]	R642	RES_201	mlb[9A2]	TP12	TP_TP-5016-SM	mlb[31D8]	TP12	TP_TP-5016-SM	mlb[31D8]									
R181	RES_201	mlb[24D3]	R409	RES_201	mlb[30B7]	R643	RES_201	mlb[11B8]	TP13	TP_TP-P6	mlb[29B8]	TP13	TP_TP-P6	mlb[29B8]									
R182	RES_201	mlb[25A8]	R410	RES_201	mlb[30B6]	R644	RES_201	mlb[14D7]	TP14	TP_TP-P6	mlb[29B8]	TP14	TP_TP-P6	mlb[29B8]									
R183	RES_201	mlb[25A8]	R411	RES_201	mlb[15C3]	R645	RES_201	mlb[14D7]	TP15	TP_TP-P6	mlb[29D8]	TP15	TP_TP-P6	mlb[29D8]									
R185	RES_201	mlb[25B7]	R417	RES_201	mlb[23D2]	R646	RES_402	mlb[14D7]	TP16	TP_TP-P6	mlb[29A8]	TP16	TP_TP-P6	mlb[29A8]									
R186	RES_201	mlb[25A7]	R418	RES_201	mlb[16B5]	R647	RES_402	mlb[14C7]	TP17	TP_TP-P6	mlb[29D8]	TP17	TP_TP-P6	mlb[29D8]									
R187	RES_201	mlb[25A6]	R419	RES_201	mlb[28B]	R648	RES_402	mlb[14D7]	TP18	TP_TP-P6	mlb[29D8]	TP18	TP_TP-P6	mlb[29D8]									
R188	RES_201	mlb[25B6]	R424	RES_201	mlb[28B]	R649	RES_402	mlb[14C7]	TP19	TP_TP-P6	mlb[29D8]	TP19	TP_TP-P6	mlb[29D8]									
R189	RES_201	mlb[25B6]	R427	RES_201	mlb[23A6]	R650	RES_402	mlb[14D7]	TP20	TP_TP-P6	mlb[29D8]	TP20	TP_TP-P6	mlb[29D8]									
R190	RES_201	mlb[11A6]	R428	RES_201	mlb[8B6]	R651	RES_402	mlb[14C7]	TP21	TP_TP-P6	mlb[29C8]	TP21	TP_TP-P6	mlb[29C8]									
R191	RES_201	mlb[25A6]	R430	RES_201	mlb[9D6]	R652	RES_402	mlb[14D6]	TP22	TP_TP-P6	mlb[29C8]	TP22	TP_TP-P6	mlb[29C8]									
R193	RES_201	mlb[13C4]	R437	RES_201	mlb[7A7]	R653	RES_402	mlb[14C6]	TP23	TP_TP-P6	mlb[29B8]	TP23	TP_TP-P6	mlb[29B8]									
R196	RES_201	mlb[17C3]	R438	RES_201	mlb[7A7]	R654	RES_402	mlb[14D6]	TP24	TP_TP-P6	mlb[29D8]	TP24	TP_TP-P6	mlb[29D8]									
R197	RES_201	mlb[17C3]	R439	RES_201	mlb[9B7]	R655	RES_402	mlb[14C6]	TP25	TP_TP-P6	mlb[29C8]	TP25	TP_TP-P6	mlb[29C8]									
R198	RES_201	mlb[29D8]	R440	RES_201	mlb[9D6]	R656	RES_201	mlb[20D3]	TP26	TP_TP-P6	mlb[29C8]	TP26	TP_TP-P6	mlb[29C8]									
R199	RES_201	mlb[29D6]	R441	RES_201	mlb[9C6]	R657	RES_201	mlb[20D3]	TP27	TP_TP-P6	mlb[29B8]	TP27	TP_TP-P6	mlb[29B8]									
R200	RES_201	mlb[29A5]	R442	RES_402	mlb[11C1]	R664	RES_201	mlb[4B2]	TP28	TP_TP-P6	mlb[29B8]	TP28	TP_TP-P6	mlb[29B8]									
R201	RES_201	mlb[29A4]	R443	RES_402	mlb[11C1]	R667	RES_201	mlb[11C4]	TP29	TP_TP-P6	mlb[29B8]	TP29	TP_TP-P6	mlb[29B8]									
R202	RES_201	mlb[29B4]	R444	RES_402	mlb[11C1]	R682	RES_201	mlb[2C2]	TP30	TP_TP-P6	mlb[29A8]	TP30	TP_TP-P6	mlb[29A8]									
R203	RES_201	mlb[29D4]	R445	RES_402	mlb[11B1]	R683	RES_201	mlb[2C2]	TP31	TP_TP-P6	mlb[29D8]	TP31	TP_TP-P6	mlb[29D8]									
R204	RES_201	mlb[29B4]	R446	RES_402	mlb[11B1]	R684	RES_201	mlb[11B8]	TP32	TP_TP-P6	mlb[29B8]	TP32	TP_TP-P6	mlb[29B8]									
R205	RES_201	mlb[29B4]	R447	RES_402	mlb[11A1]	R685	RES_201	mlb[11B8]	TP33	TP_TP-P6	mlb[29D8]	TP33	TP_TP-P6	mlb[29D8]									
R206	RES_201	mlb[29A4]	R449	RES_201	mlb[16C7]	R686	RES_201	mlb[11B8]	TP34	TP_TP-P6	mlb[29C8]	TP34	TP_TP-P6	mlb[29C8]									
R207	RES_201	mlb[29B4]	R451	RES_402	mlb[16C3]	R687	RES_201	mlb[15B4]	TP35	TP_TP-P6	mlb[29D8]	TP35	TP_TP-P6	mlb[29D8]									
R208	RES_201	mlb[29B3]	R452	RES_201	mlb[16C3]	R688	RES_201	mlb[15B3]	TP36	TP_TP-P6	mlb[29C8]	TP36	TP_TP-P6	mlb[29C8]									
R209	RES_201	mlb[29C3]	R453	RES_201	mlb[16C2]	R693	RES_201	mlb[16A5]	TP37	TP_TP-P6	mlb[29D8]	TP37	TP_TP-P6	mlb[29D8]									
R210	RES_201	mlb[29D3]	R454	RES_201	mlb[16B2]	R694	RES_201	mlb[16A5]	TP38	TP_TP-P6	mlb[29B8]	TP38	TP_TP-P6	mlb[29B8]									
R211	RES_201	mlb[29D3]	R455	RES_201	mlb[16C2]	R695	RES_201	mlb[16A5]	TP39	TP_TP-P6	mlb[29B8]	TP39	TP_TP-P6	mlb[29B8]									
R212	RES_201	mlb[29B3]	R456	RES_201	mlb[16B2]	R738	RES_201	mlb[7C7]	TP40	TP_TP-P6	mlb[29B8]	TP40	TP_TP-P6	mlb[29B8]									
R213	RES_201	mlb[29C3]	R457	RES_201	mlb[16C2]	R739	RES_201	mlb[

	8	7	6	5	4	3	2	1
D	TP104 TP_TP-P6 mlb[29C5] TP105 TP_TP-5016-SM mlb[31D7] TP106 TP_TP-5016-SM mlb[31D7] TP107 TP_TP-5016-SM mlb[31D7] TP108 TP_TP-P6 mlb[30B6] TP109 TP_SM-TF25-TOP mlb[3B3] TP110 TP_SM-TF25-TOP mlb[3B3] TP111 TP_SM-TF25-TOP mlb[3B3] TP112 TP_SM-TF25-TOP mlb[3B3] TP113 TP_SM-TF25-TOP mlb[3B3] TP114 TP_SM-TF25-TOP mlb[3B3] TP115 TP_TP-5016-SM mlb[31C5] TP116 TP_SM-TF25-TOP mlb[3B3] TP117 TP_SM-TF25-TOP mlb[3B3] TP118 TP_SM-TF25-TOP mlb[3B3] TP119 TP_TP-5016-SM mlb[27C7] TP120 TP_SM-TF25-TOP mlb[3B3] TP121 TP_SM-TF25-TOP mlb[3B3] TP122 TP_SM-TF25-TOP mlb[3B3] TP123 TP_SM-TF25-TOP mlb[3B3] TP124 TP_SM-TF25-TOP mlb[3B3] TP125 TP_SM-TF25-TOP mlb[3B3] TP126 TP_SM-TF25-TOP mlb[3B3] TP127 TP_SM-TF25-TOP mlb[3B3] TP128 TP_SM-TF25-TOP mlb[3B3] TP129 TP_SM-TF25-TOP mlb[3A3] TP130 TP_SM-TF25-TOP mlb[3A3] TP131 TP_SM-TF25-TOP mlb[3A3] TP132 TP_TP-P6 usbbriidge[32C6]mlb[22] TP133 TP_TP-P6 usbbriidge[32B6]mlb[22] TP134 TP_TP-P6 usbbriidge[32B6]mlb[22] TP135 TP_TP-P6 usbbriidge[32B6]mlb[22] TP136 TP_TP-P6 usbbriidge[32B6]mlb[22] TP137 TP_TP-P6 usbbriidge[32B6]mlb[22] TP138 TP_TP-5016-SM mlb[31D5] TP139 TP_TP-5016-SM mlb[31D5] TP140 TP_TP-P6 usbbriidge[32B6]mlb[22] TP141 TP_TP-P6 usbbriidge[32B6]mlb[22] TP142 TP_TP-P6 usbbriidge[33C6]mlb[22] TP143 TP_TP-P6 usbbriidge[33B6]mlb[22] TP144 TP_TP-P6 usbbriidge[33B6]mlb[22] TP145 TP_TP-P6 usbbriidge[33B6]mlb[22] TP146 TP_TP-P6 usbbriidge[33B6]mlb[22] TP147 TP_TP-P6 usbbriidge[33B6]mlb[22] TP148 TP_TP-P6 usbbriidge[33B6]mlb[22] TP149 TP_TP-P6 usbbriidge[33B6]mlb[22] TP150 TP_TP-P6 usbbriidge[33C6]mlb[22] TP151 TP_TP-5016-SM mlb[31C7] TP152 TP_TP-5016-SM mlb[31C7] TP153 TP_TP-5016-SM mlb[31C7] TP154 TP_TP-5016-SM mlb[31C7] TP155 TP_TP-P6 usbbriidge[35B6]mlb[22] TP156 TP_TP-5016-SM mlb[31C6] TP157 TP_TP-5016-SM mlb[31C6] TP158 TP_TP-5016-SM mlb[31C6] TP159 TP_TP-5016-SM mlb[31C6] TP160 TP_TP-5016-SM mlb[31C6] TP161 TP_TP-P6 usbbriidge[35B6]mlb[22] TP162 TP_TP-P6 usbbriidge[35B6]mlb[22] TP163 TP_TP-P6 usbbriidge[35B6]mlb[22] TP164 TP_TP-P6 usbbriidge[35B6]mlb[22] TP165 TP_TP-P6 usbbriidge[35B6]mlb[22] TP166 TP_TP-P6 usbbriidge[35B6]mlb[22] TP167 TP_TP-P6 usbbriidge[34C6]mlb[22] TP168 TP_TP-P6 usbbriidge[34B6]mlb[22] TP169 TP_TP-P6 usbbriidge[34B6]mlb[22] TP170 TP_TP-P6 usbbriidge[34B6]mlb[22] TP171 TP_TP-P6 usbbriidge[34B6]mlb[22] TP172 TP_TP-P6 usbbriidge[34B6]mlb[22] TP173 TP_TP-P6 usbbriidge[34B6]mlb[22] TP174 TP_TP-P6 usbbriidge[34B6]mlb[22] TP175 TP_TP-P6 usbbriidge[36C6]mlb[27] TP176 TP_TP-P6 usbbriidge[36B6]mlb[27] TP177 TP_TP-P6 usbbriidge[36B6]mlb[27] TP178 TP_TP-P6 usbbriidge[36B6]mlb[27] TP179 TP_TP-P6 usbbriidge[36B6]mlb[27] TP180 TP_TP-P6 usbbriidge[36B6]mlb[27] TP181 TP_TP-P6 usbbriidge[36B6]mlb[27] TP182 TP_TP-P6 usbbriidge[36B6]mlb[27] TP193 TP_SM-TF25-TOP mlb[2C2] TP194 TP_SM-TF25-TOP mlb[2C2] TP195 TP_SM-TF25-TOP mlb[3C5] TP196 TP_SM-TF25-TOP mlb[4D6] TP198 TP_SM-TF25-TOP mlb[17C2] TP199 TP_SM-TF25-TOP mlb[17C2] TP200 TP_TP-P6 mlb[29C8] TP201 TP_TP-P6 mlb[29B8] TP202 TP_TP-P6 mlb[29C8] TP229 TP_SM-TF25-TOP mlb[16C5] TP230 TP_SM-TF25-TOP mlb[16B2] TP231 TP_SM-TF25-TOP mlb[16B2] TP232 TP_SM-TF25-TOP mlb[16B2] TP233 TP_SM-TF25-TOP mlb[16B2] TP234 TP_SM-TF25-TOP mlb[16B2] TP235 TP_SM-TF25-TOP mlb[16B2] TP236 TP_SM-TF25-TOP mlb[16B2] TP237 TP_SM-TF25-TOP mlb[16B2] TP238 TP_SM-TF25-TOP mlb[16B2] TP239 TP_SM-TF25-TOP mlb[16B2] TP240 TP_SM-TF25-TOP mlb[16B2] TP241 TP_SM-TF25-TOP mlb[16B2] TP242 TP_SM-TF25-TOP mlb[16B1] TP243 TP_SM-TF25-TOP mlb[16B1] TP244 TP_SM-TF25-TOP mlb[16B1] TP245 TP_SM-TF25-TOP mlb[16B1] TP246 TP_SM-TF25-TOP mlb[16B1] TP247 TP_SM-TF25-TOP mlb[16B1] TP248 TP_SM-TF25-TOP mlb[16B1] TP249 TP_SM-TF25-TOP mlb[16B1] TP250 TP_SM-TF25-TOP mlb[16B1] TP251 TP_SM-TF25-TOP mlb[16B1] TP252 TP_SM-TF25-TOP mlb[16B1] TP253 TP_SM-TF25-TOP mlb[16B1] TP254 TP_SM-TF25-TOP mlb[16B1] TP255 TP_SM-TF25-TOP mlb[17B2] TP256 TP_SM-TF25-TOP mlb[17B2] TP257 TP_SM-TF25-TOP mlb[17B2] TP258 TP_SM-TF25-TOP mlb[17B2] TP259 TP_SM-TF25-TOP mlb[17A2] TP260 TP_SM-TF25-TOP mlb[17A2] TP261 TP_SM-TF25-TOP mlb[17A2] TP262 TP_SM-TF25-TOP mlb[17A2] TP263 TP_SM-TF25-TOP mlb[17A2] TP264 TP_SM-TF25-TOP mlb[17A2]	TP265 TP_SM-TF25-TOP mlb[17A2] TP266 TP_SM-TF25-TOP mlb[17A2] TP267 TP_SM-TF25-TOP mlb[17B1] TP268 TP_SM-TF25-TOP mlb[17B1] TP269 TP_SM-TF25-TOP mlb[17B1] TP270 TP_SM-TF25-TOP mlb[17B1] TP271 TP_SM-TF25-TOP mlb[17B1] TP272 TP_SM-TF25-TOP mlb[17A1] TP273 TP_SM-TF25-TOP mlb[17A1] TP274 TP_SM-TF25-TOP mlb[17A1] TP275 TP_SM-TF25-TOP mlb[17A1] TP276 TP_SM-TF25-TOP mlb[17A1] TP277 TP_SM-TF25-TOP mlb[17A1] TP278 TP_SM-TF25-TOP mlb[17A1] TP279 TP_SM-TF25-TOP mlb[17A1] U1 74LVC1G08GF_SOT891 mlb[2C8] U1_1 MAX8512_SC70-5 usbbriidge[32C5]mlb[22] U1_2 MAX8512_SC70-5 usbbriidge[34C5]mlb[22] U1_3 MAX8512_SC70-5 usbbriidge[32C5]mlb[22] U1_4 MAX8512_SC70-5 usbbriidge[35C5]mlb[22] U1_5 MAX8512_SC70-5 usbbriidge[36C5]mlb[27] U2 74AUP1T97_SOT891 mlb[2C7] U2_1 FT232RL_SSOP usbbriidge[32C4]mlb[22] U2_2 FT232RL_SSOP usbbriidge[34C4]mlb[22] U2_3 FT232RL_SSOP usbbriidge[33C4]mlb[22] U2_4 FT232RL_SSOP usbbriidge[35C4]mlb[22] U2_5 FT232RL_SSOP usbbriidge[36C4]mlb[27] U3 MAX3232_SO-LF mlb[2C7] U4 74LVC1G08GF_SOT891 mlb[11A7] U5 MAX8860_UMAX mlb[29A5] U6 SN74LVC2T45_WCSP mlb[29C4] U7 74AUP1T97_SOT891 mlb[23C7] U8 LIS331DL_LGA mlb[13C6] U9 SN74LVC2T45_WCSP mlb[29D4] U12 LAN91C111_TQFP mlb[28D5] U14 MAX8860_UMAX mlb[28A4] U15 MAX3232_SO-LF mlb[30B4] U19 OPAMP_MAX4231_UDFN-H mlb[23D3] P U23 ISL59121_WLCSP9 mlb[6D4] U27 SUPPR_NUP412VPS_SOT9 mlb[14A3] 53 U28 MAX8512_SC70-5 mlb[22D8] U29 74LVC2G34_SOT891 mlb[22C6 22D6] U30 BCM5974_BGA57_UFBGA mlb[17D7] U32 MAX8512_SC70-5 mlb[25B3] U33 SN74LVC2T45_WCSP mlb[29B4] U34 SN74LVC2T45_WCSP mlb[29B4] U37 SN74LVC2T45_WCSP mlb[29B2] U38 SN74LVC2T45_WCSP mlb[29C2] U39 SN74LVC2T45_WCSP mlb[29B2] U40 SN74LVC2T45_WCSP mlb[29D2] U41 WM1817_BGA mlb[8C5] U47 LT3460_SC70 mlb[17A7] U48 D1755AA_UFNBA mlb[11D6] U49 74LVC2G34_SOT891 mlb[15A5 15B5] U52 SC58720X02_FPGA mlb[2C6] U52 SC58720X02_FPGA mlb[3B4 3D3 3D6] U52 SC58720X02_FPGA mlb[4D8] U52 SC58720X02_FPGA mlb[5C6] U53 74LVC2G04_SOT891 mlb[12A4 12A3] U54 74LVC2G04_SOT891 mlb[16B5] U55 74LVC1G08GF_SOT891 mlb[11A7] U56 SN74LVC1G14_SOT553-5 mlb[25C3] U57 74LVC1G157_SOT891 mlb[25C2] U58 FLASH_AP25DF081_DFN mlb[4B4] U59 ISL29003_ODFN mlb[43A7] U60 CS42L61_WLCSP66 mlb[7C5] U61 74LVC2G04_SOT891 mlb[10B4] U64 NIMBUS1_BGA mlb[16D6] U65 MARIO_LITE_BGA mlb[17D4] U67 SN74LVC1G14_SOT553-5 mlb[21D7] U68 74LVC1G157_SOT891 mlb[21D6] U70 CD3272_WCSP9 mlb[9A3] U71 74AUP2G125_SOT833 mlb[20D7] U72 74AUP2G126_SOT833 mlb[20D7] U73 74AUP2G125_SOT833 mlb[20D5] U74 74AUP2G126_SOT833 mlb[20D5] U75 74LVC1G157_SOT891 mlb[20C3] U76 74LVC1G157_SOT891 mlb[20D3] U83 ISL29015S2378_ODFN mlb[23B3] U84 FLASH_4GX8_48P4_TSOP mlb[4B8] U85 CDCDC_LM2705_USMD mlb[13B2] VR2 VREG_MIC29502_TO-263 mlb[24D3] XW1 SHORT_SM mlb[2C2] XW2 SHORT_SM mlb[2C1] XW3 SHORT_SM mlb[3D5] XW4 SHORT_SM mlb[3C2] XW5 SHORT_SM mlb[3C2] XW6 SHORT_SM mlb[3D5] XW7 SHORT_SM mlb[3C1] XW8 SHORT_SM mlb[3C1] XW9 SHORT_SM mlb[3D8] XW10 SHORT_SM mlb[3D8] XW11 SHORT_SM mlb[2B7] XW12 SHORT_SM mlb[17A8] XW13 SHORT_SM mlb[17A8] XW14 SHORT_SM mlb[17A5] XW15 SHORT_SM mlb[4C4] XW16 SHORT_SM mlb[4C4] XW17 SHORT_SM mlb[17D5] XW18 SHORT_SM mlb[17A5] XW19 SHORT_SM mlb[17D5] XW20 SHORT_SM mlb[17D3] XW21 SHORT_SM mlb[17D2] XW47 SHORT_SM mlb[6D6] XW48 SHORT_SM mlb[6D5] XW55 SHORT_SM mlb[11A4] XW60 SHORT_SM mlb[11A3] XW67 SHORT_SM mlb[20B8] XW68 SHORT_SM mlb[20B8] XW101 SHORT_SM mlb[26D2] XW102 SHORT_SM mlb[26D2] XW103 SHORT_SM mlb[26D2] XW104 SHORT_SM mlb[26D2] XW105 SHORT_SM mlb[26D2] XW106 SHORT_SM mlb[26D2] XW109 SHORT_SM mlb[26D2] XW111 SHORT_SM mlb[26D2] XW118 SHORT_SM mlb[14B5] XW119 SHORT_SM mlb[3D1] XW120 SHORT_SM mlb[3D2] XW123 SHORT_SM mlb[2C8] XW124 SHORT_SM mlb[2C8]	XW125 SHORT_SM mlb[2D8] XW126 SHORT_SM mlb[2D8] XW127 SHORT_SM mlb[2C2] XW128 SHORT_SM mlb[2D1] XW129 SHORT_SM mlb[3D5] XW130 SHORT_SM mlb[3D5] XW133 SHORT_SM mlb[2A1] XW134 SHORT_SM mlb[2A2] XW139 SHORT_SM mlb[3D6] XW140 SHORT_SM mlb[5D8] XW141 SHORT_SM mlb[3D8] XW142 SHORT_SM mlb[5D7] XW143 SHORT_SM mlb[5D6] XW144 SHORT_SM mlb[5D6] XW146 SHORT_SM mlb[9C2] XW147 SHORT_SM mlb[11A5] XW148 SHORT_SM mlb[11A5] XW149 SHORT_SM mlb[14B4] XW150 SHORT_SM mlb[20A7] XW151 SHORT_SM mlb[24D2] XW152 SHORT_SM mlb[2D2] XW153 SHORT_SM mlb[2D2] XW154 SHORT_SM mlb[2D1] XW155 SHORT_SM mlb[2D1] XW156 SHORT_SM mlb[7D7] XW157 SHORT_SM mlb[7D7] XW158 SHORT_SM mlb[10C3] XW159 SHORT_SM mlb[11A6] XW162 SHORT_SM mlb[11C3] XW163 SHORT_SM mlb[11C2] XW165 SHORT_SM mlb[7D2] XW166 SHORT_SM mlb[7D2] XW167 SHORT_SM mlb[7D1] XW168 SHORT_SM mlb[7D1] XW169 SHORT_SM mlb[7D1] XW170 SHORT_SM mlb[7C2] XW171 SHORT_SM mlb[16C4] XW172 SHORT_SM mlb[16C4] XW173 SHORT_SM mlb[2A2] XW174 SHORT_SM mlb[11C5] XW175 SHORT_SM mlb[11C5] XW176 SHORT_SM mlb[9B3] XW177 SHORT_SM mlb[9B3] XW178 SHORT_SM mlb[23B3] XW179 SHORT_SM mlb[23B3] XW180 SHORT_SM mlb[13B3] XW181 SHORT_SM mlb[13B3] XW182 SHORT_SM mlb[14B5] XW183 SHORT_SM mlb[14B5] XW184 SHORT_SM mlb[5A7] XW185 SHORT_SM mlb[11A4] Y1 CRYSTAL_3.2X1.5X.6-S mlb[11D6] M Y1_1 CRYSTAL_4PIN_SM-3.2X usbbriidge[32B4]mlb[22] 2.5MM Y1_2 CRYSTAL_4PIN_SM-3.2X usbbriidge[34B4]mlb[22] 2.5MM Y1_3 CRYSTAL_4PIN_SM-3.2X usbbriidge[33B4]mlb[22] 2.5MM Y1_4 CRYSTAL_4PIN_SM-3.2X usbbriidge[35B4]mlb[22] 2.5MM Y1_5 CRYSTAL_4PIN_SM-3.2X usbbriidge[36B4]mlb[27] 2.5MM Y2 CRYSTAL_4PIN_SM-2 mlb[2A6] Y4 CRYSTAL_4PIN mlb[28A4] Z71 MTGHOLE mlb[24C1] Z74 MTGHOLE mlb[24D1] Z75 MTGHOLE mlb[24D1] Z76 MTGHOLE mlb[24C1]	B	C	D		
A	8	7	6	5	4	3	2	1

	8	7	6	5	4	3	2	1
D	S8	SWI_8PAK_SM-LF	mlb[22C6]	TP110	TP_TP-5016-SM	mlb[9C1]		
	S9	SWI_TACT_4P1_SM	mlb[11A8]	TP111	TP_SM-TP25-TOP	mlb[26B3]		
	S10	SWI_TACT_4P1_SM	mlb[11A7]	TP112	TP_SM-TP25-TOP	mlb[26B3]		
	S11	SWI_TACT_4P1_SM	mlb[11A5]	TP113	TP_SM-TP25-TOP	mlb[26C3]		
	S12	SWI_TACT_4P1_SM	mlb[11A5]	TP114	TP_SM-TP25-TOP	mlb[26B1]		
	S13	SWI_SLIDE_2P_2MT_SM	mlb[11A3]	TP115	TP_TP-5016-SM	mlb[17A8]		
	S14	SWI_8PAK_SM-LF	mlb[26C4]	TP116	TP_TP-P6	mlb[15B6]		
	S15	SWI_TACT_4P1_SM	mlb[18B4]	TP117	TP_TP-P6	mlb[3B2]		
	S16	SWI_8PAK_SM-LF	mlb[18B3]	TP118	TP_TP-P6	mlb[10B8]		
	S17	SWI_TACT_4P1_SM	mlb[18C2]	TP119	TP_TP-5016-SM	mlb[22C7]		
C	S18	SWI_TACT_4P1_SM	mlb[18B2]	TP120	TP_TP-5016-SM	mlb[22D7]		
	S26	SWI_8PAK_SM-LF	mlb[16D3]	TP121	TP_TP-P6	mlb[18B1]		
	S27	SWI_LM34902_USMD	mlb[13D7]	TP122	TP_TP-P6	mlb[18A1]		
	S28	SWI_TACT_4P1_SM	mlb[15B4]	TP123	TP_TP-P6	mlb[18A1]		
	T1	XFR_100BT_MDIX_XFMR	mlb[23D3]	TP124	TP_TP-5016-SM	mlb[17A8]		
	TP1	TP_TP-5016-SM	mlb[2D8]	TP125	TP_TP-P6	mlb[4D7]		
	TP2	TP_TP-5016-SM	mlb[2D8]	TP126	TP_TP-P6	mlb[5B2]		
	TP3	TP_TP-5016-SM	mlb[6A8]	TP127	TP_TP-P6	mlb[10C7]		
	TP4	TP_TP-5016-SM	mlb[6A8]	TP129	TP_TP-P6	mlb[10C7]		
	TP5	TP_TP-5016-SM	mlb[7D7]	TP131	TP_TP-P6	mlb[11A4]		
B	TP6	TP_TP-5016-SM	mlb[7D7]	TP132	TP_TP-P6	mlb[13D8]		
	TP7	TP_TP-5016-SM	mlb[7D7]	TP133	TP_TP-P6	mlb[13D6]		
	TP8	TP_TP-5016-SM	mlb[10A4]	TP134	TP_TP-P6	mlb[5D1]		
	TP9	TP_TP-5016-SM	mlb[10A4]	U1	LM2512_UFBGA	mlb[5B4]		
	TP10	TP_TP-5016-SM	mlb[12B2]	U1_1	MAX8512_SC70-5	usbbridge[31C5]mlb[14]		
	TP11	TP_TP-5016-SM	mlb[19B1]	U1_2	MAX8512_SC70-5	usbbridge[32C5]mlb[14]		
	TP12	TP_TP-5016-SM	mlb[19B1]	U1_3	MAX8512_SC70-5	usbbridge[33C5]mlb[14]		
	TP13	TP_TP-P6	mlb[24B8]	U1_4	MAX8512_SC70-5	usbbridge[34C5]mlb[14]		
	TP14	TP_TP-P6	mlb[24B8]	U1_5	MAX8512_SC70-5	usbbridge[35C5]mlb[14]		
	TP15	TP_TP-P6	mlb[24D8]	U1_6	MAX8512_SC70-5	usbbridge[36C5]mlb[22]		
A	TP16	TP_TP-P6	mlb[24A8]	U1_7	MAX8512_SC70-5	usbbridge[37C5]mlb[22]		
	TP17	TP_TP-P6	mlb[24A8]	U1_CL	LTC4066_QFN	chgr[30B3]mlb[9]		
	TP18	TP_TP-P6	mlb[24D8]	U1_CS	SWREG_LT3493_DFN	charger[28C6]mlb[9]		
	TP19	TP_TP-P6	mlb[24D8]	U2	74LVC2G34_SOT891	mlb[2A3 2A3]		
	TP20	TP_TP-P6	mlb[24D8]	U2_1	FT232RL_SSOP	usbbridge[31C4]mlb[14]		
	TP21	TP_TP-P6	mlb[24C8]	U2_2	FT232RL_SSOP	usbbridge[32C4]mlb[14]		
	TP22	TP_TP-P6	mlb[24C8]	U2_3	FT232RL_SSOP	usbbridge[33C4]mlb[14]		
	TP23	TP_TP-P6	mlb[24B8]	U2_4	FT232RL_SSOP	usbbridge[34C4]mlb[14]		
	TP24	TP_TP-P6	mlb[24D8]	U2_5	FT232RL_SSOP	usbbridge[35C4]mlb[14]		
	TP25	TP_TP-P6	mlb[24C8]	U2_6	FT232RL_SSOP	usbbridge[36C4]mlb[22]		
TP26	TP_TP-P6	mlb[24C8]	U2_7	FT232RL_SSOP	usbbridge[37C4]mlb[22]			
TP27	TP_TP-P6	mlb[24B8]	U3	MAX3232_SO-LF	mlb[14C7]			
TP28	TP_TP-P6	mlb[24B8]	U4	MARIO_QFN	mlb[15D4]			
TP29	TP_TP-P6	mlb[24B8]	U5	MAX8860_UMAX	mlb[24A5]			
TP30	TP_TP-P6	mlb[24A8]	U6	SN74LVC2T45_WCSP	mlb[24C4]			
TP31	TP_TP-P6	mlb[24D8]	U7	WM8758_QFN	mlb[7C6]			
TP32	TP_TP-P6	mlb[24B8]	U8	LIS902D_LGA	mlb[40B3]			
TP33	TP_TP-P6	mlb[24D8]	U9	SN74LVC2T45_WCSP	mlb[24D4]			
TP34	TP_TP-P6	mlb[24C8]	U9_CL	SWREG_LT3493_DFN	chgr[30D4]mlb[9]			
TP35	TP_TP-P6	mlb[24D8]	U10	74LVC2G66_BGA	mlb[20C6 20D6]			
TP36	TP_TP-P6	mlb[24C8]	U11	OM3805_HUQFN	mlb[10C5]			
TP37	TP_TP-P6	mlb[24D8]	U12	LAN91C11_TQFP	mlb[23D5]			
TP38	TP_TP-P6	mlb[24B8]	U13	FEPR_S5239LF800A_XFL	mlb[3D2]			
TP39	TP_TP-P6	mlb[24B8]	GA					
TP40	TP_TP-P6	mlb[24B8]	U14	MAX8860_UMAX	mlb[23A4]			
TP41	TP_TP-P6	mlb[24D8]	U15	MAX3232_SO-LF	mlb[25B4]			
TP42	TP_TP-P6	mlb[24A8]	U16	SN74AUP1T97_WCSP	mlb[5C7]			
TP43	TP_TP-P6	mlb[24D8]	U17	FLASH_1MX8_16BGA_XFB	mlb[5D7]			
TP44	TP_TP-P6	mlb[24B8]	GA					
TP45	TP_TP-P6	mlb[24C8]	U18	SN74AUP1T97_WCSP	mlb[5C6]			
TP46	TP_TP-P6	mlb[24C8]	U19	OPAMP_MAX4233_UCSP_U	mlb[26B2 26C6]			
TP47	TP_TP-P6	mlb[24C8]	CSP					
TP48	TP_TP-P6	mlb[24B8]	U20	S5L8900X01_MOBILE_BG	mlb[2D5]			
TP49	TP_TP-P6	mlb[24D8]	A					
TP50	TP_TP-P6	mlb[24D8]	U20	S5L8900X01_MOBILE_BG	mlb[3D4]			
TP51	TP_TP-P6	mlb[24D8]	A					
TP52	TP_TP-P6	mlb[24B8]	U20	S5L8900X01_MOBILE_BG	mlb[4D4 4D6]			
TP53	TP_TP-P6	mlb[24C8]	A					
TP54	TP_TP-P6	mlb[24B8]	U20	S5L8900X01_MOBILE_BG	mlb[5B6]			
TP55	TP_TP-P6	mlb[24D8]	A					
TP56	TP_TP-P6	mlb[24B8]	U20	S5L8900X01_MOBILE_BG	mlb[6C4]			
TP57	TP_TP-P6	mlb[24D6]	A					
TP58	TP_TP-P6	mlb[24B6]	U21	SN74AUP1T97_WCSP	mlb[5D5]			
TP59	TP_TP-P6	mlb[24B6]	U22_CL	MAX4845_DFN6	chgr[30C6]mlb[9]			
TP60	TP_TP-P6	mlb[24B6]	U23	ISL59121_WLCSP9	mlb[6C6]			
TP61	TP_TP-P6	mlb[24D6]	U24	74LVC2G34_SOT891	mlb[13D7 13C7]			
TP62	TP_TP-P6	mlb[24D6]	U25	SN74LVC1G99_BGA	mlb[13C7]			
TP63	TP_TP-P6	mlb[24A6]	U26	74LVC2G08_SOT833	mlb[3A4 3A4]			
TP64	TP_TP-P6	mlb[24D6]	U27	SUPPR_NUP412VP5_SOT9	mlb[13A3]			
TP65	TP_TP-P6	mlb[24D6]	53					
TP66	TP_TP-P6	mlb[24C6]	U28	MAX8512_SC70-5	mlb[14D8]			
TP67	TP_TP-P6	mlb[24B6]	U29	74LVC2G34_SOT891	mlb[14C6 14D6]			
TP68	TP_TP-P6	mlb[24B6]	U30	ZEPHYR2_BGA81_FBGAA1	mlb[15D7]			
TP69	TP_TP-P6	mlb[24D6]	U31	TPS61045_QFN	mlb[15A7]			
TP70	TP_TP-P6	mlb[24C6]	U32	MAX8512_SC70-5	mlb[21B2]			
TP71	TP_TP-P6	mlb[24A6]	U33	SN74LVC2T45_WCSP	mlb[24B4]			
TP72	TP_TP-P6	mlb[24C6]	U34	SN74LVC2T45_WCSP	mlb[24B4]			
TP73	TP_TP-P6	mlb[24C6]	U35	SN74LVC1G99_BGA	mlb[11D7]			
TP74	TP_TP-P6	mlb[24C6]	U36	SN74LVC1G99_BGA	mlb[11C7]			
TP75	TP_TP-P6	mlb[24C6]	U37	SN74LVC2T45_WCSP	mlb[24B2]			
TP76	TP_TP-P6	mlb[24B6]	U38	SN74LVC2T45_WCSP	mlb[24C2]			
TP77	TP_TP-P6	mlb[24B6]	U39	SN74LVC2T45_WCSP	mlb[24B2]			
TP78	TP_TP-P6	mlb[24C6]	U40	SN74LVC2T45_WCSP	mlb[24D2]			
TP79	TP_TP-P6	mlb[24D6]	U41	WM8991_BGA	mlb[8C6]			
TP80	TP_TP-P6	mlb[24C6]	U42	74LVC2G04_SOT891	mlb[11A5 11A5]			
TP81	TP_TP-P6	mlb[24B6]	U43	TSL2561_CS	mlb[26A7]			
TP82	TP_TP-P6	mlb[24B6]	U44	SN74LVC1G99_BGA	mlb[18C4]			
TP83	TP_TP-P6	mlb[24B6]	U45	SN74LVC1G99_BGA	mlb[18D4]			
TP84	TP_TP-P6	mlb[24D6]	U46	SN74LVC1G99_BGA	mlb[5D5]			
TP85	TP_TP-P6	mlb[24B6]	U47	LT3460_SC70	mlb[16A6]			
TP86	TP_TP-P6	mlb[24A6]	U48	LREG_XC6401_USP_USP-	mlb[8D6]			
TP87	TP_TP-P6	mlb[24D6]	6B					
TP88	TP_TP-P6	mlb[24D6]	U49	SN74AUP1T97_WCSP	mlb[17D4]			
TP89	TP_TP-P6	mlb[24C6]	U50	SN74AUP1T97_WCSP	mlb[17D4]			
TP90	TP_TP-P6	mlb[24B5]	U51	SN74AUP1T97_WCSP	mlb[17C4]			
TP91	TP_TP-P6	mlb[24C5]	U52	74LVC1G66_SOT891	mlb[11B5]			
TP92	TP_TP-P6	mlb[24B5]	U53	74LVC2G04_SOT891	mlb[11A7 11A7]			
TP93	TP_TP-P6	mlb[24B5]	U54	SN74LVC1G99_BGA	mlb[17C4]			
TP94	TP_TP-P6	mlb[24B5]	U55	74LVC2G08_SOT833	mlb[15B4 15B3]			
TP95	TP_TP-P6	mlb[24B5]	U57	SN74LVC2T45_WCSP	mlb[17C2]			
TP96	TP_TP-P6	mlb[24A5]	U58	LTC4088EDE1_DFN14	charger[28B4]mlb[9]			
TP97	TP_TP-P6	mlb[24C5]	U59	ISL29003_ODFN	mlb[26B7]			
TP98	TP_TP-P6	mlb[24D5]	U60	OPAMP_MAX4233_UCSP_U	mlb[12D8]			
TP99	TP_TP-P6	mlb[24C5]	CSP					
TP100	TP_TP-P6	mlb[24D5]	U61	SN74LVC1G99_BGA	mlb[2B7]			
TP101	TP_TP-P6	mlb[24D5]	U62	SN74LVC1G99_BGA	mlb[2B7]			
TP102	TP_TP-P6	mlb[24B5]	U63	LM2512_UFBGA	mlb[5D3]			
TP103	TP_TP-P6	mlb[24B5]	U77_CS	MAX4845_DFN6	charger[28D5]mlb[9]			
TP104	TP_TP-P6	mlb[24C5]	U6001	74LVC1G14GF_SOT891	mlb[16B6]			
TP105	TP_TP-5016-SM	mlb[8C1]	U6022	EEPROM_AT25256AN_SOI	mlb[16B3]			
TP106	TP_TP-5016-SM	mlb[8C1]	VR1	VREG_LP3986_BGA	mlb[11B2]			
TP107	TP_TP-5016-SM	mlb[8C1]	VR2	VREG_MIC29502_TO-263	mlb[19C3]			
TP108	TP_TP-P6	mlb[25B6]	XW1	SHORT_SM	mlb[2D7]			
TP109	TP_TP-5016-SM	mlb[9C1]	XW1_CL	SHORT_SM	chgr[30D2]mlb[9]			
				XW2	SHORT_SM	mlb[2D7]		
				XW2_CL	SHORT_SM	chgr[30D2]mlb[9]		
				XW3	SHORT_SM	mlb[2D7]		
				XW4	SHORT_SM	mlb[2D7]		
				XW5	SHORT_SM	mlb[2D6]		
				XW6	SHORT_SM	mlb[2D6]		
				XW7	SHORT_SM	mlb[2D2]		
				XW8	SHORT_SM	mlb[2D2]		
				XW9	SHORT_SM	mlb[2D2]		
				XW10	SHORT_SM	mlb[2B1]		
				XW11	SHORT_SM	mlb[2B1]		
				XW12	SHORT_SM	mlb[2B1]		
				XW13	SHORT_SM	mlb[2D1]		
				XW14	SHORT_SM	mlb[10A7]		
				XW15	SHORT_SM	mlb[4A6]		
				XW16	SHORT_SM	mlb[4A6]		
				XW17	SHORT_SM	mlb[4D5]		
				XW18	SHORT_SM	mlb[4D5]		
				XW19	SHORT_SM	mlb[4D2]		
				XW20	SHORT_SM	mlb[4D2]		
				XW21	SHORT_SM	mlb[4B2]		
				XW22	SHORT_SM	mlb[4A2]		