



REV	ECN	DESCRIPTION OF REVISION	CK APPD
4	0001109172	ENGINEERING RELEASED	2011-04-18

1. ALL RESISTANCE VALUES ARE IN OHMS, 0.1 WATT +/- 5%.
2. ALL CAPACITANCE VALUES ARE IN MICROFARADS.
3. ALL CRYSTALS & OSCILLATOR VALUES ARE IN HERTZ.

SCHEM, PCB, LIO, K78

EVT 1, 2011-04-18

Page	Contents	Sync	Date
1	1 Table of Contents		
2	2 System Block Diagram	K78_MLB	04/05/2011
3	7 FUNC TEST	(K6_MLB)	(12/11/2009)
4	8 Power Aliases	(K24_MLB)	(02/04/2009)
5	46 External USB Connectors	(K84_MLB)	(11/09/2009)
6	47 LIO CONNECTORS	MASTER	MASTER
7	62 AUDIO: CODEC/REGULATOR	AUDIO	04/05/2011
8	65 AUDIO: HEADPHONE FILTER	AUDIO	04/05/2011
9	66 AUDIO: SPEAKER AMP	AUDIO	04/05/2011
10	67 AUDIO: JACK	AUDIO	04/05/2011
11	68 AUDIO: JACK TRANSLATORS	AUDIO	04/05/2011
12	69 MPM CONNECTOR	MASTER	MASTER
13	103 MCP Constraints 2	(K24_MLB)	(04/06/2009)

Alternate Parts

PART NUMBER	ALTERNATE FOR PART NUMBER	BOM OPTION	REF DES	COMMENTS:
155S0694	155S0387		ALL	Murata alt to TDK
155S0661	155S0511		ALL	Murata alt to TDK
155S0660	155S0513		ALL	Murata alt to TDK

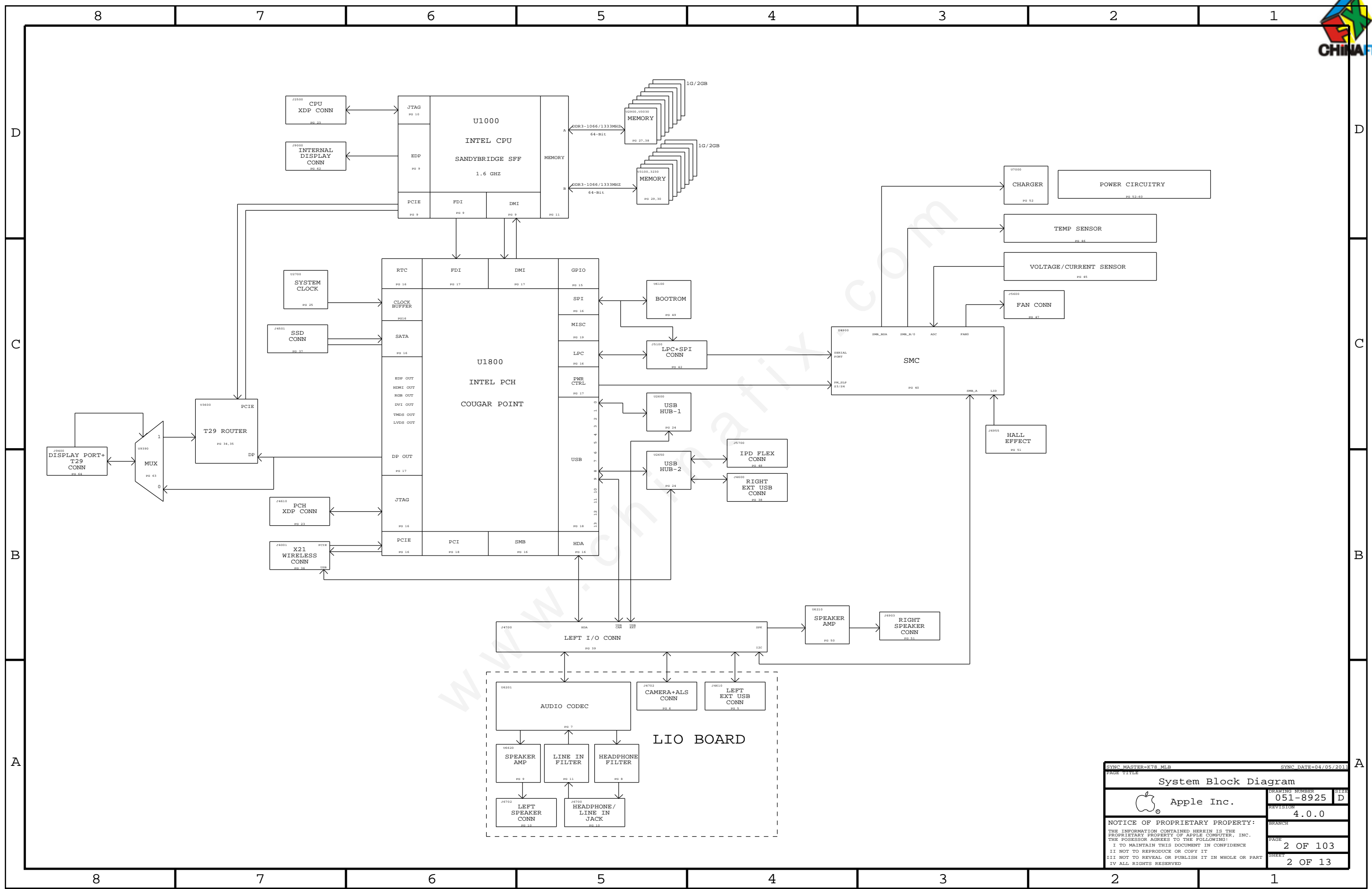
Schematic / PCB #'s

PART NUMBER	QTY	DESCRIPTION	REFERENCE DES	CRITICAL	BOM OPTION
051-8540	1	SCHEM, PCB, LIO, K78	SCH	CRITICAL	
820-3053	1	PCBF, LIO, K78	PCB	CRITICAL	
946-3092	1	LIO LOCTITE UV EB 0.08, K78	UV_GLUE	CRITICAL	

BOM: 639-1784 PCBA, LIO, K78
MCO: 056-4207 MCO, LIO, K78
EEEE: DK05

PRODUCT SAFETY REQUIREMENTS:
PCB, UL RECOGNIZED, MIN. 130-C TEMP. RATING AND V-0 FLAME RATING PER UL 796 & UL 94.
PCB TO BE SILKSCREENED WITH UL/CUL RECOGNITION MARK, MANUFACTURER'S UL FILE NUMBER, UL PCB MATERIAL DESIGNATION, 130-C TEMP. RATING AND V-0 FLAME RATING

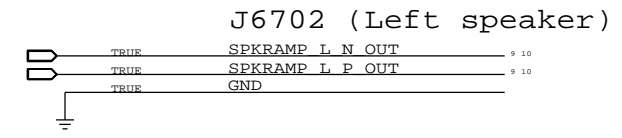
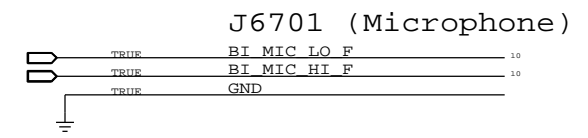
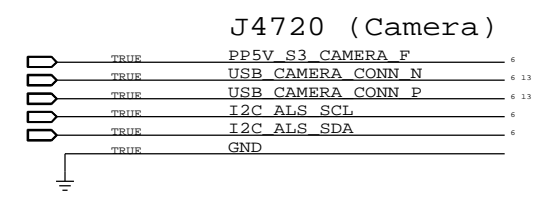
DRAWING TITLE		SCHEM, PCB, LIO, K78	
DRAWING NUMBER		051-8925	SIZE D
REVISION		4.0.0	
BRANCH			
PAGE		1 OF 103	
SHEET		1 OF 13	
NOTICE OF PROPRIETARY PROPERTY: THE INFORMATION CONTAINED HEREIN IS THE PROPRIETARY PROPERTY OF APPLE COMPUTER, INC. THE POSSESSOR AGREES TO THE FOLLOWING: I TO MAINTAIN THIS DOCUMENT IN CONFIDENCE II NOT TO REPRODUCE OR COPY IT III NOT TO REVEAL OR PUBLISH IT IN WHOLE OR PART IV ALL RIGHTS RESERVED			



SYNC MASTER=K78 MLB		SYNC DATE=04/05/2011	
System Block Diagram			
Apple Inc.	DRAWING NUMBER	051-8925	SIZE D
	REVISION	4.0.0	
NOTICE OF PROPRIETARY PROPERTY:		BRANCH	
THE INFORMATION CONTAINED HEREIN IS THE PROPRIETARY PROPERTY OF APPLE COMPUTER, INC. THE POSSESSOR AGREES TO THE FOLLOWING:		PAGE	
I TO MAINTAIN THIS DOCUMENT IN CONFIDENCE		2 OF 103	
II NOT TO REPRODUCE OR COPY IT		SHEET	
III NOT TO REVEAL OR PUBLISH IT IN WHOLE OR PART		2 OF 13	
IV ALL RIGHTS RESERVED			



Functional Test Points

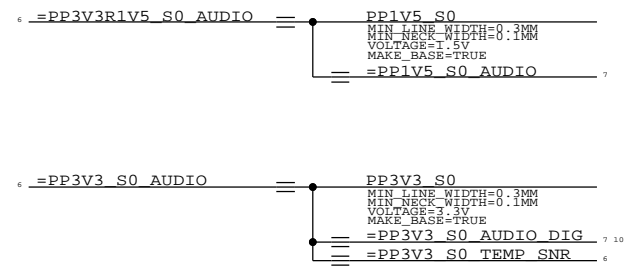


www.chinafix.com

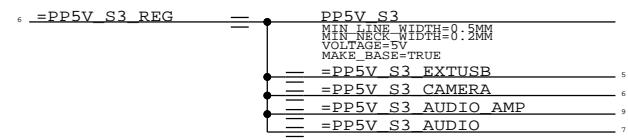
SYNC_MASTER=(K6_MLB)		SYNC_DATE=(12/11/2009)	
PAGE TITLE: FUNC TEST			
Apple Inc.	DRAWING NUMBER	051-8925	SIZE D
	REVISION	4.0.0	
NOTICE OF PROPRIETARY PROPERTY: THE INFORMATION CONTAINED HEREIN IS THE PROPRIETARY PROPERTY OF APPLE COMPUTER, INC. THE POSSESSOR AGREES TO THE FOLLOWING: I TO MAINTAIN THIS DOCUMENT IN CONFIDENCE II NOT TO REPRODUCE OR COPY IT III NOT TO REVEAL OR PUBLISH IT IN WHOLE OR PART IV ALL RIGHTS RESERVED		BRANCH	
		PAGE	7 OF 103
		SHEET	3 OF 13



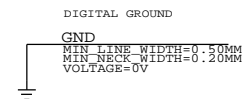
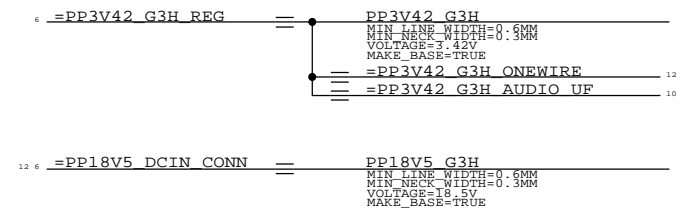
"S0,S0M" RAILS



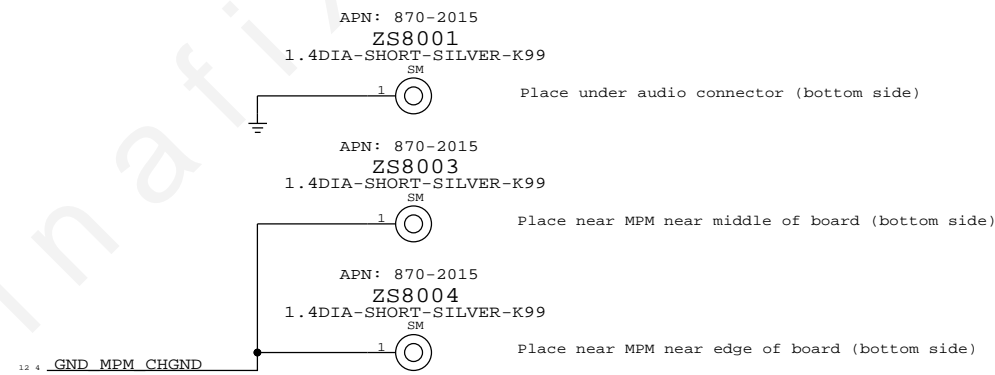
"S3" RAILS



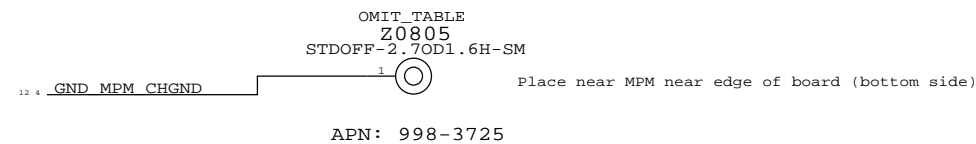
"G3H" RAILS



Pogo pins



ESD Boss



PART NUMBER	QTY	DESCRIPTION	REFERENCE DES	CRITICAL	BOM OPTION
860-1427	1	ESD STANDOFF,K21/K78	Z0805		

SYNC MASTER=(K24_MLB) SYNC DATE=(02/04/2009)

Power Aliases

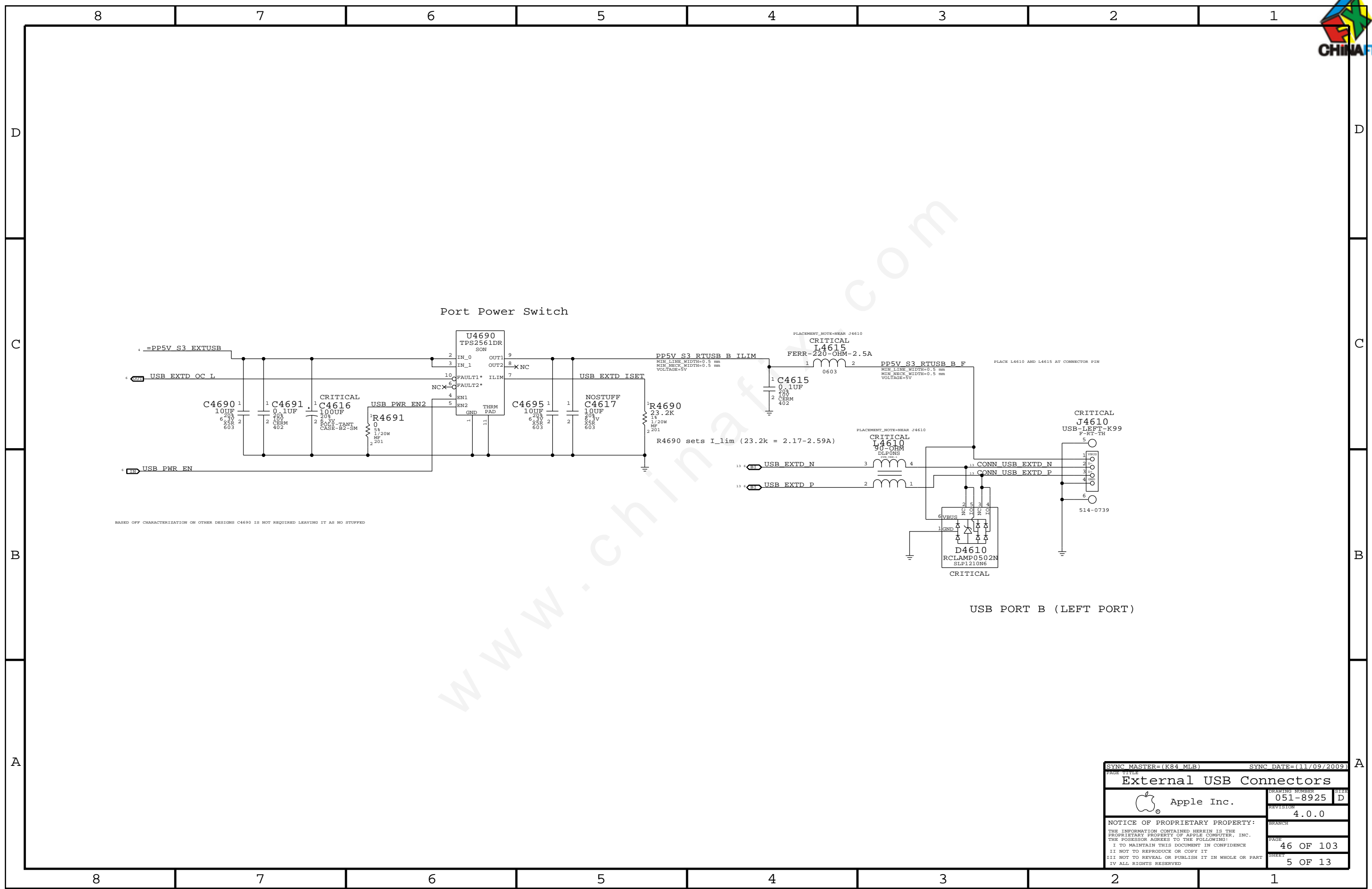
Apple Inc.

DRAWING NUMBER: 051-8925 SIZE: D

REVISION: 4.0.0

NOTICE OF PROPRIETARY PROPERTY:
 THE INFORMATION CONTAINED HEREIN IS THE PROPRIETARY PROPERTY OF APPLE COMPUTER, INC. THE POSSESSOR AGREES TO THE FOLLOWING:
 I TO MAINTAIN THIS DOCUMENT IN CONFIDENCE
 II NOT TO REPRODUCE OR COPY IT
 III NOT TO REVEAL OR PUBLISH IT IN WHOLE OR PART
 IV ALL RIGHTS RESERVED

PAGE: 8 OF 103
 SHEET: 4 OF 13

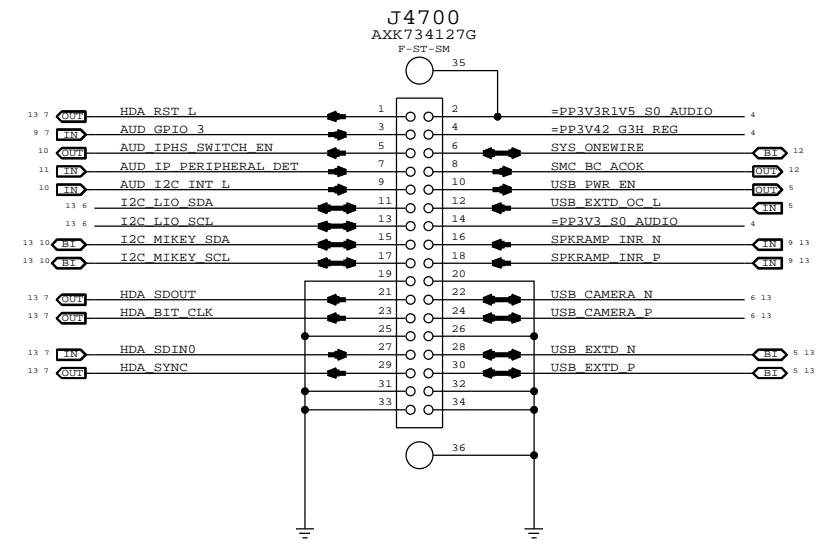


www.chinafox.com

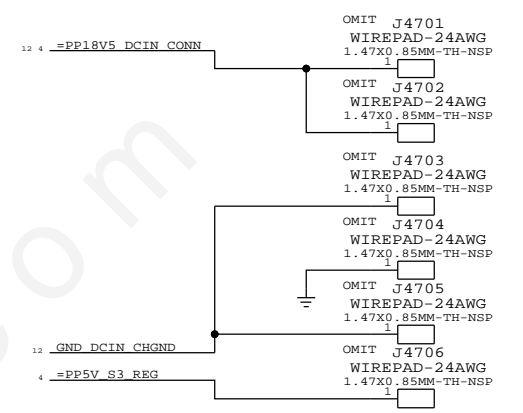
SYNC MASTER=(K84_MLB)		SYNC DATE=(11/09/2009)	
External USB Connectors			
Apple Inc.		DRAWING NUMBER	051-8925
		REVISION	4.0.0
NOTICE OF PROPRIETARY PROPERTY: THE INFORMATION CONTAINED HEREIN IS THE PROPRIETARY PROPERTY OF APPLE COMPUTER, INC. THE POSSESSOR AGREES TO THE FOLLOWING: I TO MAINTAIN THIS DOCUMENT IN CONFIDENCE II NOT TO REPRODUCE OR COPY IT III NOT TO REVEAL OR PUBLISH IT IN WHOLE OR PART IV ALL RIGHTS RESERVED		BRANCH	
		PAGE	46 OF 103
		SHEET	5 OF 13

8 7 6 5 4 3 2 1

34 Pin LIO Flex Connector
APN: 516S0859

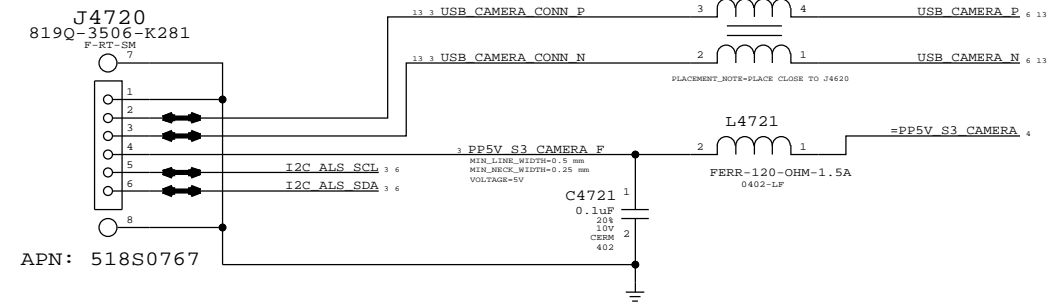


LIO POWER

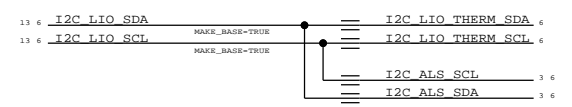


SPACE THE HOLES 2MM APART CENTER TO CENTER

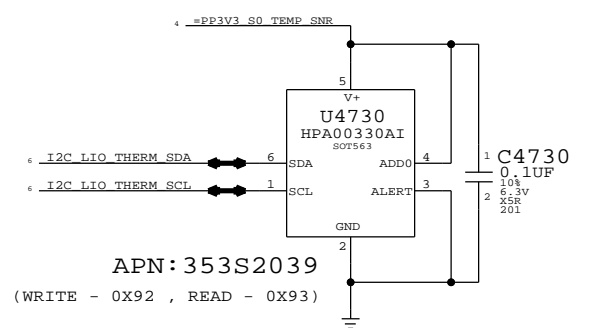
CAMERA/ALS



I2C aliases



Temp Sensor



APN: 353S2039
(WRITE - 0X92 , READ - 0X93)

PAGE TITLE		SYNC DATE=MASTER	
LIO CONNECTORS			
Apple Inc.	DRAWING NUMBER	051-8925	SIZE
	REVISION	4.0.0	
NOTICE OF PROPRIETARY PROPERTY:		BRANCH	
THE INFORMATION CONTAINED HEREIN IS THE PROPRIETARY PROPERTY OF APPLE COMPUTER, INC. THE POSSESSOR AGREES TO THE FOLLOWING:		PAGE	
I TO MAINTAIN THIS DOCUMENT IN CONFIDENCE		47 OF 103	
II NOT TO REPRODUCE OR COPY IT		SHEET	
III NOT TO REVEAL OR PUBLISH IT IN WHOLE OR PART		6 OF 13	
IV ALL RIGHTS RESERVED			

8 7 6 5 4 3 2 1



8

7

6

5

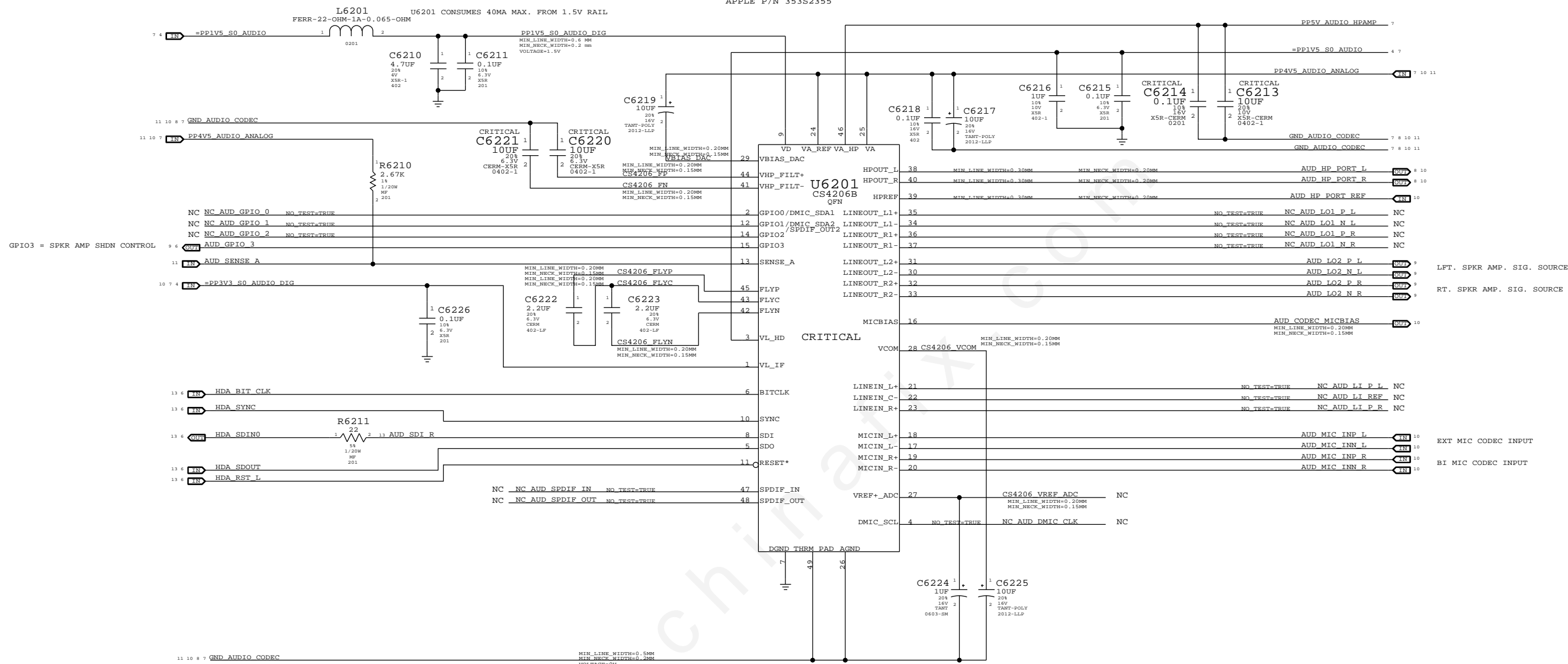
4

3

2

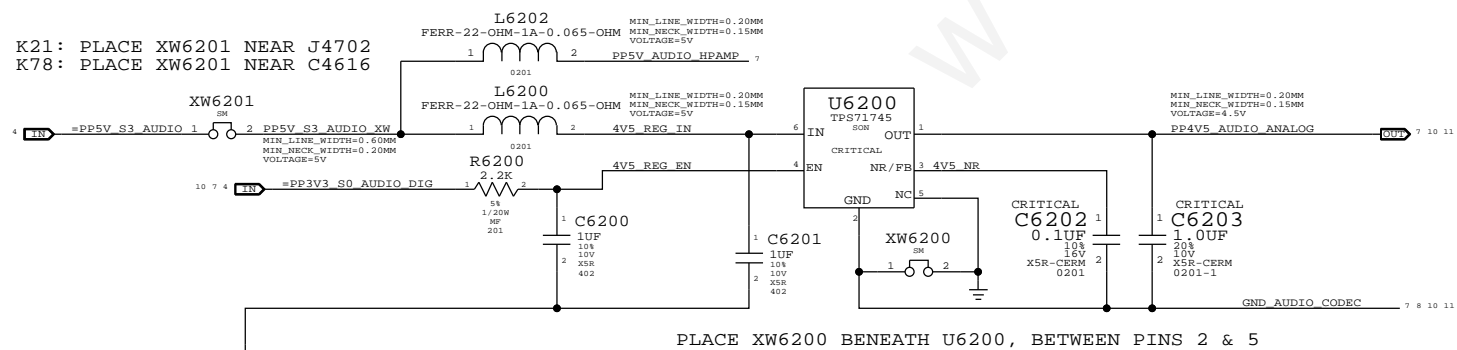
1

AUDIO CODEC
APPLE P/N 353S2355



4.5V POWER SUPPLY FOR CODEC

APPLE P/N 353S2456



PLACE XW6200 BENEATH U6200, BETWEEN PINS 2 & 5

NOTES ON CODEC I/O

- DIFF FSINPUT= 2.45VRMS
- SE FSINPUT= 1.22VRMS
- DAC1 FSOUTPUT= 1.34VRMS
- DAC2/3 FSOUTPUTDIFF= 2.67VRMS
- DAC2/3 FSOUTPUTPSE= 1.34VRMS

SYNC MASTER=AUDIO SYNC DATE=04/05/2011

AUDIO: CODEC/REGULATOR		DRAWING NUMBER	051-8925	SIZE	D
Apple Inc.		REVISION	4.0.0		
NOTICE OF PROPRIETARY PROPERTY: THE INFORMATION CONTAINED HEREIN IS THE PROPRIETARY PROPERTY OF APPLE COMPUTER, INC. THE POSSESSOR AGREES TO THE FOLLOWING: I TO MAINTAIN THIS DOCUMENT IN CONFIDENCE II NOT TO REPRODUCE OR COPY IT III NOT TO REVEAL OR PUBLISH IT IN WHOLE OR PART IV ALL RIGHTS RESERVED		BRANCH			
		PAGE	62 OF 103		
		SHEET	7 OF 13		

8

7

6

5

4

3

2

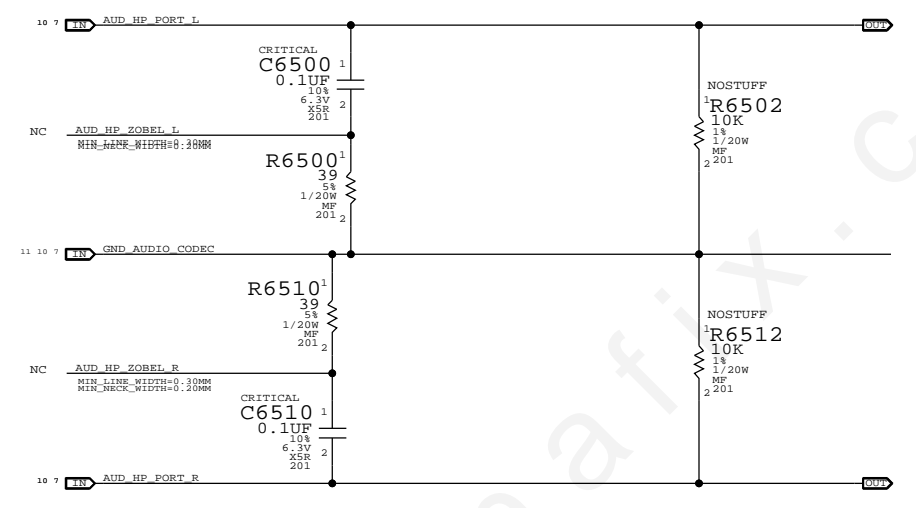
1

8 7 6 5 4 3 2 1

D
C
B
A

D
C
B
A

ZOBEL NETWORK & 1ST ORDER DAC FILTER PLACEHOLDER



www.chinafix.com

SYNC MASTER=AUDIO		SYNC DATE=04/05/2011	
PAGE TITLE			
AUDIO: HEADPHONE FILTER			
DRAWING NUMBER		SIZE	
051-8925		D	
REVISION		BRANCH	
4.0.0			
NOTICE OF PROPRIETARY PROPERTY:			
THE INFORMATION CONTAINED HEREIN IS THE PROPRIETARY PROPERTY OF APPLE COMPUTER, INC. THE POSSESSOR AGREES TO THE FOLLOWING:			
I TO MAINTAIN THIS DOCUMENT IN CONFIDENCE		PAGE	
II NOT TO REPRODUCE OR COPY IT		65 OF 103	
III NOT TO REVEAL OR PUBLISH IT IN WHOLE OR PART		SHEET	
IV ALL RIGHTS RESERVED		8 OF 13	

8 7 6 5 4 3 2 1

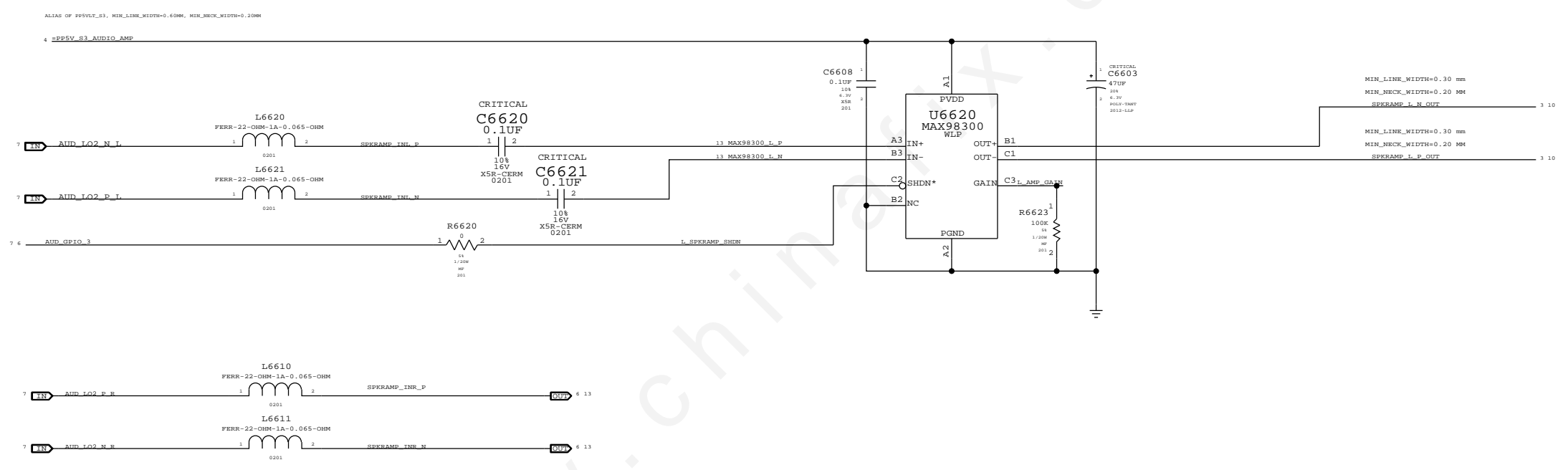


SPEAKER AMPLIFIERS

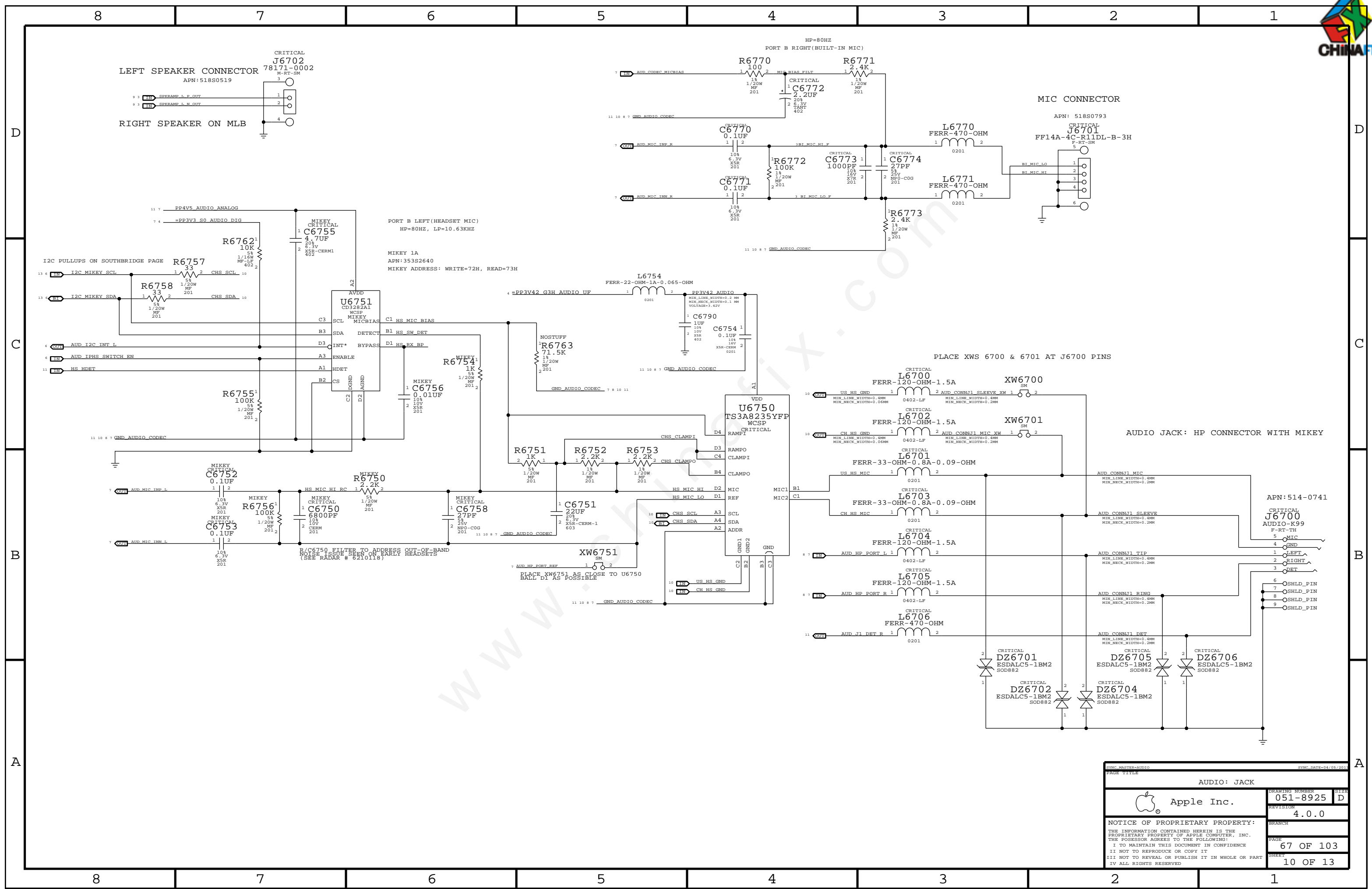
APN:353S2888

SPEAKER LOWPASS 80 HZ < FC < 132 HZ

GAIN 6DB



SYMC_WAFER-AUDIO		SYMC_DATE=04/05/2011	
PAGE TITLE			
AUDIO: SPEAKER AMP			
	Apple Inc.		DRAWING NUMBER 051-8925
			REVISION 4.0.0
NOTICE OF PROPRIETARY PROPERTY: THE INFORMATION CONTAINED HEREIN IS THE PROPRIETARY PROPERTY OF APPLE COMPUTER, INC. THE POSSESSOR AGREES TO THE FOLLOWING: I TO MAINTAIN THIS DOCUMENT IN CONFIDENCE II NOT TO REPRODUCE OR COPY IT III NOT TO REVEAL OR PUBLISH IT IN WHOLE OR PART IV ALL RIGHTS RESERVED			BRANCH
			PAGE 66 OF 103
			SHEET 9 OF 13
			SIZE D



AUDIO: JACK	
Apple Inc.	DRAWING NUMBER: 051-8925
	REVISION: 4.0.0
NOTICE OF PROPRIETARY PROPERTY: THE INFORMATION CONTAINED HEREIN IS THE PROPRIETARY PROPERTY OF APPLE COMPUTER, INC. THE POSSESSOR AGREES TO THE FOLLOWING: I TO MAINTAIN THIS DOCUMENT IN CONFIDENCE II NOT TO REPRODUCE OR COPY IT III NOT TO REVEAL OR PUBLISH IT IN WHOLE OR PART IV ALL RIGHTS RESERVED	
PAGE: 67 OF 103	SHEET: 10 OF 13

8 7 6 5 4 3 2 1

D
C
B
A

D
C
B
A

CODEC OUTPUT SIGNAL PATHS

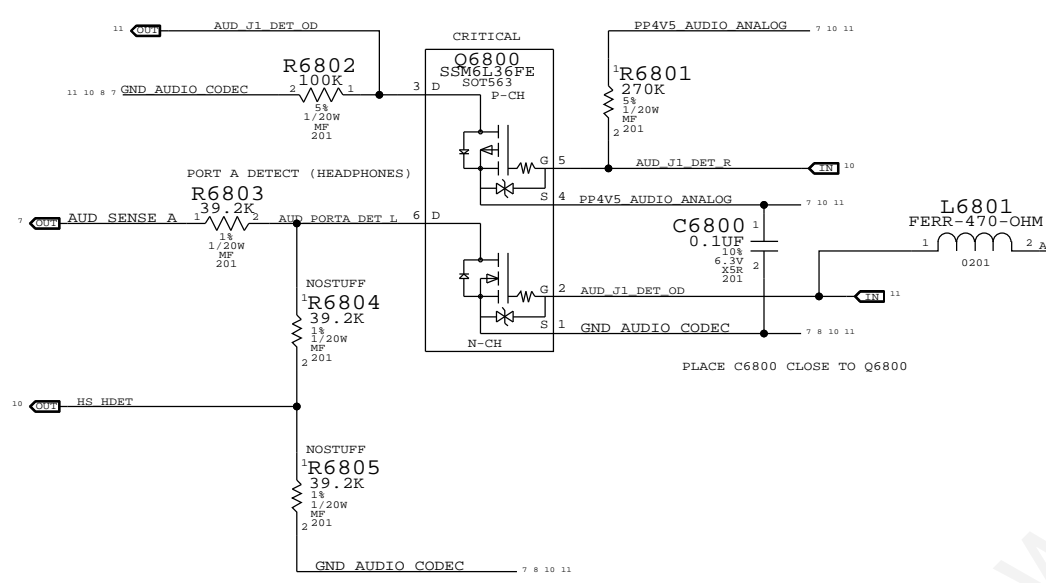
FUNCTION	VOLUME	CONVERTER	PIN COMPLEX	MUTE CONTROL	DET ASSIGNMENT
HP/LINE OUT	0X02 (2)	0X02 (2)	0X09 (9,A)	GPIO_0 AND GPIO_1	0X09 (A)
SPEAKERS	0X04 (4)	0X04 (4)	0X0B (11)	GPIO_3	N/A

CODEC INPUT SIGNAL PATHS

FUNCTION	CONVERTER	PIN COMPLEX	VREF	DET ASSIGNMENT
BUILT-IN MIC	0X06 (6)	0X0D (13,B,RIGHT)	MIC_BIAS (80%)	N/A
HEADSET MIC	0X06 (6)	0X0D (13,V22,B,LEFT)	MIKEY	MIKEY

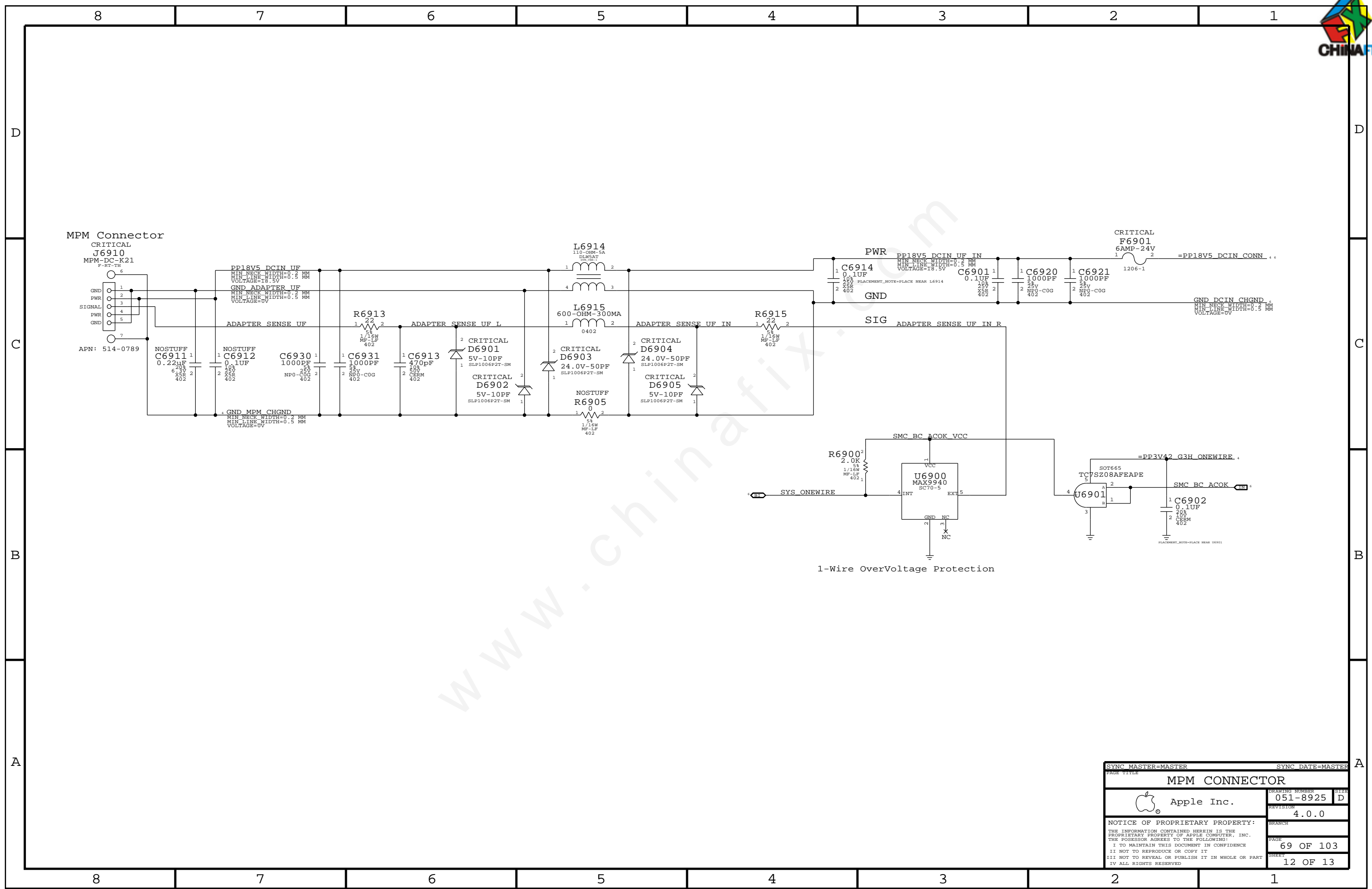
SOUTHBIDGE RESOURCE/PIN ALLOCATIONS

FUNCTION	NET NAME	SB GPIO/INT
PERIPHERAL/EXTRACTION DETECT	AUD_IP_PERIPHERAL_DET	GPIO 38
MIKEY INTERRUPT	AUD_I2C_INT_L	GPIO 55
MIKEY ENABLE	AUD_IPHS_SWITCH_EN	GPIO 7
MIKEY I2C BUS	I2C_MIKEY_SDA/SCL	MCP89 SMBUS 0



SYNC MASTER=AUDIO		SYNC DATE=04/05/2011	
PAGE TITLE AUDIO: JACK TRANSLATORS			
Apple Inc.		DRAWING NUMBER 051-8925	SIZE D
		REVISION 4.0.0	
NOTICE OF PROPRIETARY PROPERTY: THE INFORMATION CONTAINED HEREIN IS THE PROPRIETARY PROPERTY OF APPLE COMPUTER, INC. THE POSSESSOR AGREES TO THE FOLLOWING: I TO MAINTAIN THIS DOCUMENT IN CONFIDENCE II NOT TO REPRODUCE OR COPY IT III NOT TO REVEAL OR PUBLISH IT IN WHOLE OR PART IV ALL RIGHTS RESERVED		BRANCH	PAGE 68 OF 103
		SHEET	11 OF 13

8 7 6 5 4 3 2 1



SYNC MASTER=MASTER		SYNC DATE=MASTER	
MPM CONNECTOR			
		DRAWING NUMBER	051-8925
		REVISION	4.0.0
NOTICE OF PROPRIETARY PROPERTY: THE INFORMATION CONTAINED HEREIN IS THE PROPRIETARY PROPERTY OF APPLE COMPUTER, INC. THE POSSESSOR AGREES TO THE FOLLOWING: I TO MAINTAIN THIS DOCUMENT IN CONFIDENCE II NOT TO REPRODUCE OR COPY IT III NOT TO REVEAL OR PUBLISH IT IN WHOLE OR PART IV ALL RIGHTS RESERVED		BRANCH	
		PAGE	69 OF 103
		SHEET	12 OF 13



K16 LIO BOARD-SPECIFIC SPACING & PHYSICAL CONSTRAINTS

BOARD LAYERS	BOARD AREAS	BOARD UNITS (MIL OR MM)	ALLEGRO VERSION
TOP, ISL2, ISL3, ISL4, ISL5, BOTTOM	NO_TYPE, SGA_P1MM	MM	15.5.1

PHYSICAL_RULE_SET	LAYER	ALLOW ROUTE ON LAYER?	MINIMUM LINE WIDTH	MINIMUM NECK WIDTH	MAXIMUM NECK LENGTH	DIFFPAIR PRIMARY GAP	DIFFPAIR NECK GAP
DEFAULT	*	Y	=50_OHM_SE	0.100MM	30 MM	0 MM	0 MM
STANDARD	*	Y	=DEFAULT	=DEFAULT	12.7 MM	=DEFAULT	=DEFAULT

PHYSICAL_RULE_SET	LAYER	ALLOW ROUTE ON LAYER?	MINIMUM LINE WIDTH	MINIMUM NECK WIDTH	MAXIMUM NECK LENGTH	DIFFPAIR PRIMARY GAP	DIFFPAIR NECK GAP
55_OHM_SE	TOP, BOTTOM	Y	0.120 MM	0.120 MM			
55_OHM_SE	*	Y	0.125 MM	0.125 MM	=STANDARD	=STANDARD	=STANDARD

PHYSICAL_RULE_SET	LAYER	ALLOW ROUTE ON LAYER?	MINIMUM LINE WIDTH	MINIMUM NECK WIDTH	MAXIMUM NECK LENGTH	DIFFPAIR PRIMARY GAP	DIFFPAIR NECK GAP
90_OHM_DIFF	*	N	=STANDARD	=STANDARD	=STANDARD	=STANDARD	=STANDARD
90_OHM_DIFF	ISL3, ISL4	Y	0.115 MM	0.115 MM		0.130 MM	0.130 MM
90_OHM_DIFF	TOP, BOTTOM	Y	0.125 MM	0.125 MM		0.110 MM	0.110 MM

PHYSICAL_RULE_SET	LAYER	ALLOW ROUTE ON LAYER?	MINIMUM LINE WIDTH	MINIMUM NECK WIDTH	MAXIMUM NECK LENGTH	DIFFPAIR PRIMARY GAP	DIFFPAIR NECK GAP
50_OHM_SE	TOP, BOTTOM	Y	0.090 MM	0.090 MM			
50_OHM_SE	*	Y	0.076 MM	0.076 MM	=STANDARD	=STANDARD	=STANDARD

SPACING_RULE_SET	LAYER	LINE-TO-LINE SPACING	WEIGHT
36_DISELECTRIC	TOP, BOTTOM	0.180 MM	?
36_DISELECTRIC	TOP, BOTTOM	0.180 MM	?
24_DISELECTRIC	-	0.254 MM	?
48_DISELECTRIC	-	0.508 MM	?

USB 2.0 Interface Constraints

PHYSICAL_RULE_SET	LAYER	ALLOW ROUTE ON LAYER?	MINIMUM LINE WIDTH	MINIMUM NECK WIDTH	MAXIMUM NECK LENGTH	DIFFPAIR PRIMARY GAP	DIFFPAIR NECK GAP
USB_90D	*	=90_OHM_DIFF	=90_OHM_DIFF	=90_OHM_DIFF	=90_OHM_DIFF	=90_OHM_DIFF	=90_OHM_DIFF

SPACING_RULE_SET	LAYER	LINE-TO-LINE SPACING	WEIGHT
USB	*	=24_DISELECTRIC	?
USB	TOP, BOTTOM	=48_DISELECTRIC	?

SOURCE: MCP79 Interface DG (DG-03328-001_v0D), Section 2.10.1.

SMBus Interface Constraints

PHYSICAL_RULE_SET	LAYER	ALLOW ROUTE ON LAYER?	MINIMUM LINE WIDTH	MINIMUM NECK WIDTH	MAXIMUM NECK LENGTH	DIFFPAIR PRIMARY GAP	DIFFPAIR NECK GAP
SMB_55S	*	=55_OHM_SE	=55_OHM_SE	=55_OHM_SE	=55_OHM_SE	=STANDARD	=STANDARD

SPACING_RULE_SET	LAYER	LINE-TO-LINE SPACING	WEIGHT
SMB	*	=24_DISELECTRIC	?

SOURCE: MCP79 Interface DG (DG-03328-001_v0D), Section 2.11.1.

HD Audio Interface Constraints

PHYSICAL_RULE_SET	LAYER	ALLOW ROUTE ON LAYER?	MINIMUM LINE WIDTH	MINIMUM NECK WIDTH	MAXIMUM NECK LENGTH	DIFFPAIR PRIMARY GAP	DIFFPAIR NECK GAP
HDA_55S	*	=55_OHM_SE	=55_OHM_SE	=55_OHM_SE	=55_OHM_SE	=STANDARD	=STANDARD

SPACING_RULE_SET	LAYER	LINE-TO-LINE SPACING	WEIGHT
HDA	*	=24_DISELECTRIC	?

SOURCE: MCP79 Interface DG (DG-03328-001_v0D), Section 2.12.1.

ELECTRICAL_CONSTRAINT_SET	NET_TYPE			
	PHYSICAL	SPACING		
USB_EXTN	USB_90D	USB	CONN USB_EXTD N	5
USB_EXTN	USB_90D	USB	CONN USB_EXTD P	5
USB_EXTN	USB_90D	USB	USB_EXTD N	5 6
USB_EXTN	USB_90D	USB	USB_EXTD P	5 6
USB_CAMERA	USB_90D	USB	USB_CAMERA P	6
USB_CAMERA	USB_90D	USB	USB_CAMERA N	6
USB_CAMERA	USB_90D	USB	USB_CAMERA CONN P	3 6
USB_CAMERA	USB_90D	USB	USB_CAMERA CONN N	3 6
	SMB_55S	SMB	I2C LIO_SDA	6
	SMB_55S	SMB	I2C LIO_SCL	6
	SMB_55S	SMB	I2C MIKEY_SCL	6 10
	SMB_55S	SMB	I2C MIKEY_SDA	6 10
HDA_BIT_CLK	HDA_55S	HDA	HDA_BIT_CLK	6 7
HDA_SYNC	HDA_55S	HDA	HDA_SYNC	6 7
	HDA_55S	HDA	HDA_RST_L	6 7
HDA_SDIN0	HDA_55S	HDA	HDA_SDIN0	6 7
	HDA_55S	HDA	AUD_SDI_R	7
HDA_SDOUT	HDA_55S	HDA	HDA_SDOUT	6 7
	DIFFPAIR	AUDIO	SPKRAMP INL N	9
	DIFFPAIR	AUDIO	SPKRAMP INL P	9
	DIFFPAIR	AUDIO	SPKRAMP INR N	6 9
	DIFFPAIR	AUDIO	SPKRAMP INR P	6 9
	DIFFPAIR	AUDIO	MAX98300 L N	9
	DIFFPAIR	AUDIO	MAX98300 L P	9

SYNC MASTER=(K24_MLB) SYNC DATE=(04/06/2009)

MCP Constraints 2

Apple Inc.

DRAWING NUMBER: 051-8925 SIZE: D

REVISION: 4.0.0

NOTICE OF PROPRIETARY PROPERTY:
 THE INFORMATION CONTAINED HEREIN IS THE PROPRIETARY PROPERTY OF APPLE COMPUTER, INC. THE POSSESSOR AGREES TO THE FOLLOWING:
 I TO MAINTAIN THIS DOCUMENT IN CONFIDENCE
 II NOT TO REPRODUCE OR COPY IT
 III NOT TO REVEAL OR PUBLISH IT IN WHOLE OR PART
 IV ALL RIGHTS RESERVED

BRANCH: _____

PAGE: 103 OF 103

SHEET: 13 OF 13