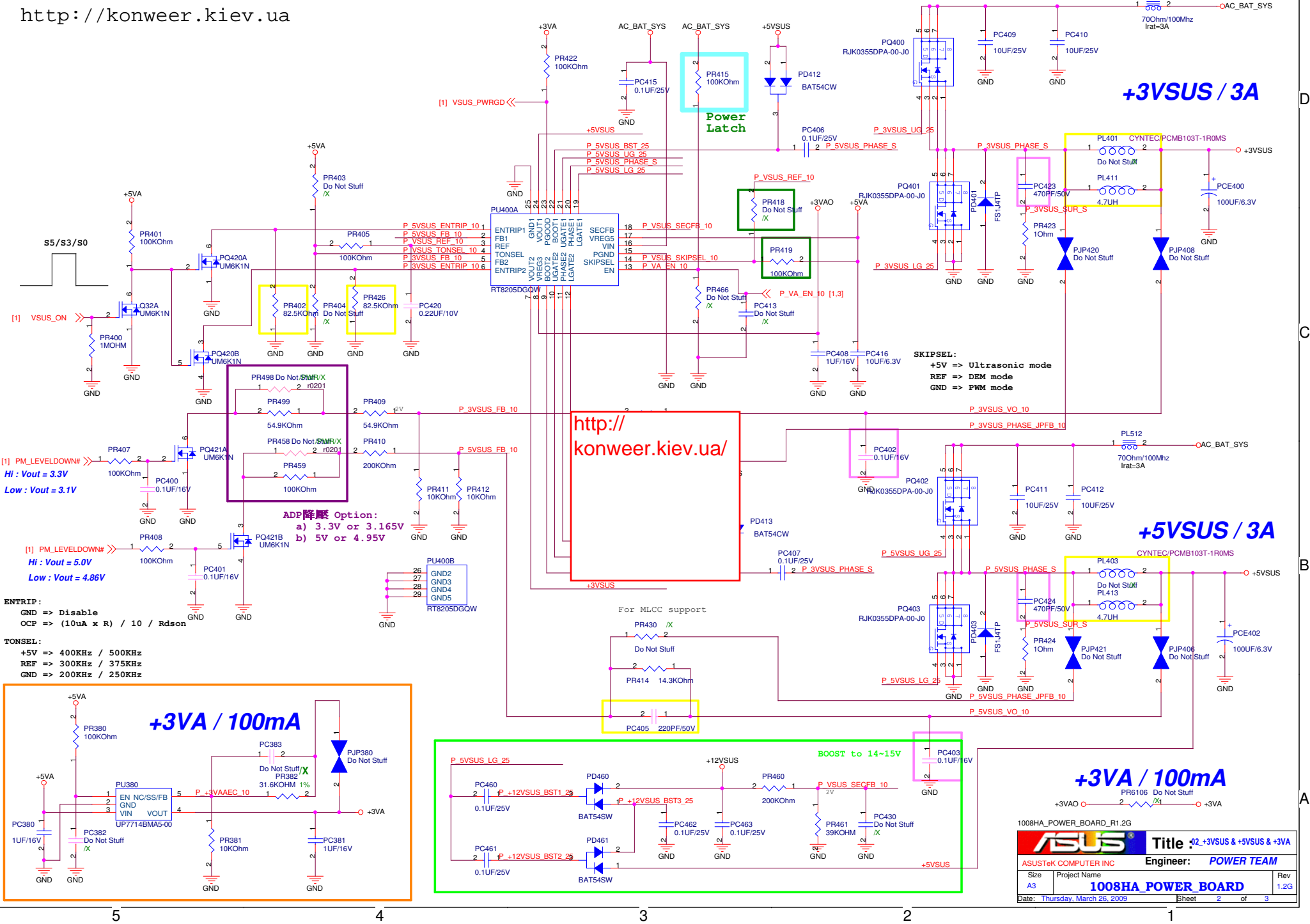


1008HA\_POWER\_BOARD\_R1.2G

		<b>Title : 01_PWR_CON</b>	
ASUSTek Computer INC.		Engineer: <b>Kenneth Hung</b>	
Size A4	Project Name <b>1008HA_POWER_BOARD</b>	Rev 1.2G	
Date: Thursday, March 26, 2009		Sheet 1 of 3	



[1] VSUS\_ON

[1] VSUS\_PWRGD

[1] PM\_LEVELDOWN#

Hi : Vout = 3.3V

Low : Vout = 3.1V

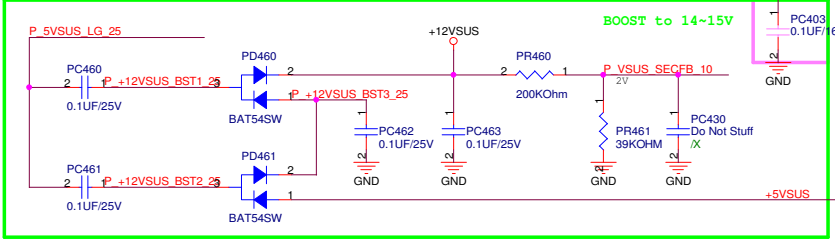
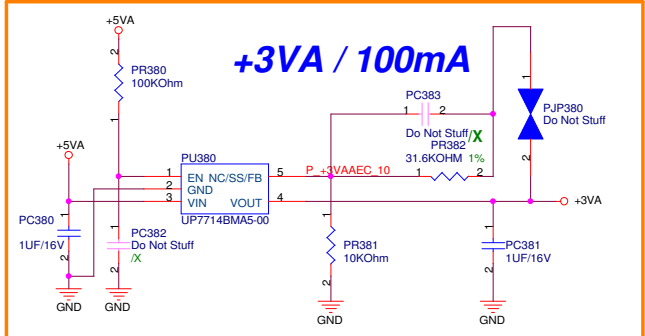
[1] PM\_LEVELDOWN#

Hi : Vout = 5.0V

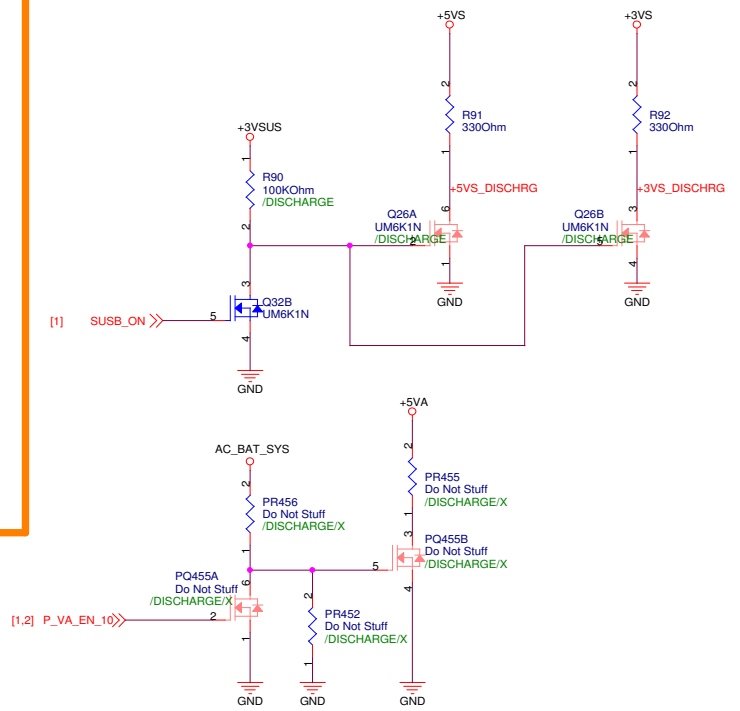
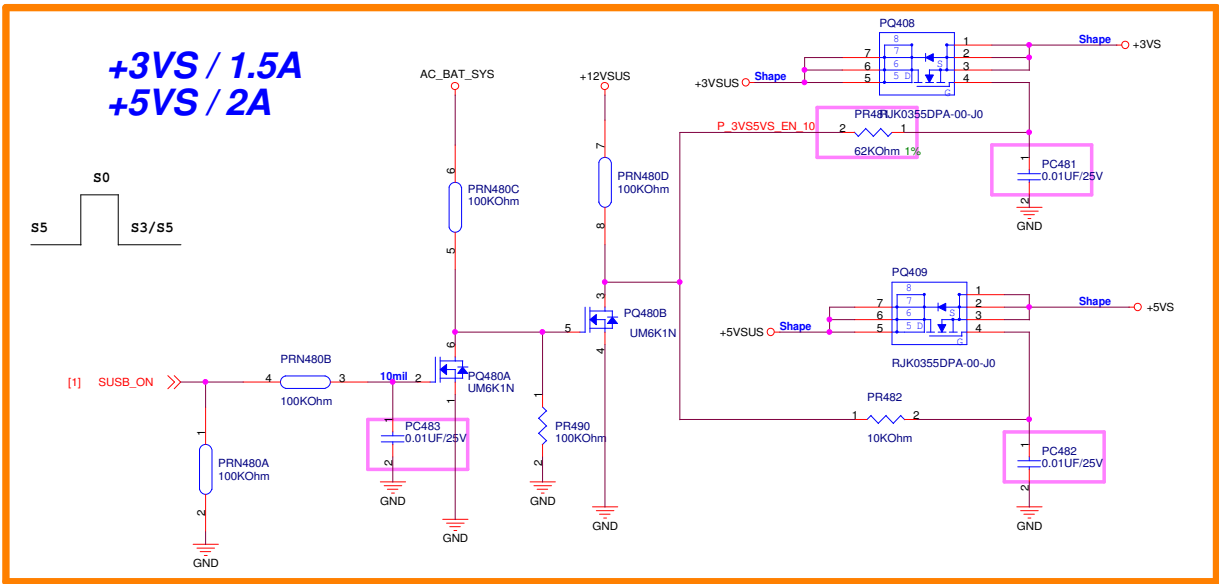
Low : Vout = 4.86V

ENTRIP :  
 GND => Disable  
 OCP => (10uA x R) / 10 / Rds(on)

TONSEL :  
 +5V => 400KHz / 500KHz  
 REF => 300KHz / 375KHz  
 GND => 200KHz / 250KHz



**+3VS / 1.5A**  
**+5VS / 2A**



<http://konweer.kiev.ua>

1008HA\_POWER\_BOARD\_R1.2G

		<b>Title :</b> 03_+3VS & +5VS	
ASUSTek Computer INC.		Engineer: POWER TEAM	
Size A3	Project Name <b>1008HA_POWER_BOARD</b>	Rev 1.2G	
Date: Thursday, March 26, 2009	Sheet	3	of 3