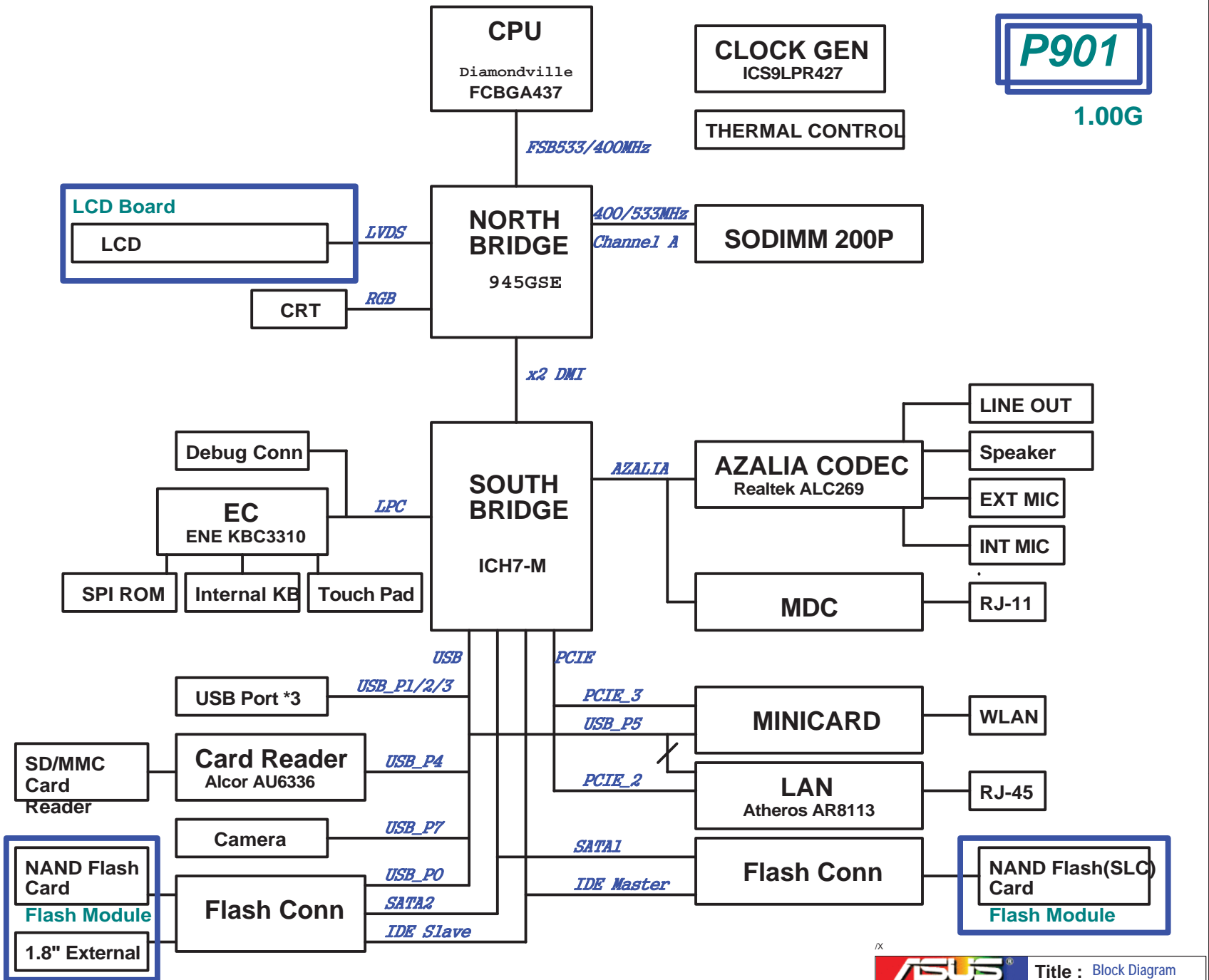


- 01\_Block Diagram
- 02\_System Setting
- 03\_Power Sequence
- 04\_Clock Gen\_ICS9LPR426
- 05\_Diamondville\_BUS
- 06\_Diamondville\_PWR
- 07\_NB-945GMS(HOST)
- 08\_NB-945GMS(DMI)
- 09\_NB-945GMS(GRAPHIC)
- 10\_NB-945GMS(DDR2)
- 11\_NB-945GMS(PWR)
- 12\_NB-945GMS(PWR2)
- 13\_NB-945GMS(GND)
- 14\_SB-ICH7M(PWR)
- 15\_SB-ICH7M(1)
- 16\_SB-ICH7M(2)
- 17\_SB-ICH7M(3)
- 18\_DDR2 SODIMM
- 19\_DDR2 Termination
- 20\_Onboard VGA
- 21\_LCD Conn\_LID
- 22\_PCIEx 3.5G & Ext. Antenna
- 23\_Mini WIFI+ BT
- 24\_LAN\_Atheros AR8113
- 25\_MDC\_RJ11\_RJ45
- 26\_HD + Flash Conn
- 27\_USB Port
- 28\_Camera Conn
- 29\_Card Reader\_AU6336C52
- 30\_Codec\_ALC269
- 31\_Audio\_AMP\_Jack
- 32\_EC\_ENE KB3310
- 33\_EC\_UART controller
- 34\_Switch\_SPI ROM\_Debug Conn
- 35\_Thermal Sensor\_FAN
- 36\_KB\_Touch Pad
- 37\_LED\_THERMTRIP
- 38\_Discharge
- 39\_PWR Jack
- 40\_Srew Hole
- 41\_EMI
- 42\_POWER FLOW
- 43\_Vcore
- 44\_Power System
- 45\_Power\_+1.8V & VTTDDR
- 46\_Power\_VCCP
- 47\_Power\_+1.5VS & +2.5VS
- 48\_Power\_Charger
- 49\_EC Pin Define
- 49\_History



**P901**

1.00G

<b>ASUS</b>		Title : Block Diagram	
ASUSTek Computer INC.		Engineer: Regin Chiang	
Size	Project Name	Rev	
A3	P901	1.00G	
Date: Tuesday, April 01, 2008	Sheet	1	of 50

**EEE PC 701 PCB version**

GPI37	GPI38	GPI39	PCB version
0	0	0	
0	0	0	
0	0	1	
0	0	1	
0	1	0	
0	1	0	
0	1	1	
0	1	1	
1	0	0	
1	0	0	
1	0	1	
1	0	1	
1	1	0	
1	1	0	
1	1	1	
1	1	1	

**USB**

USB 0	Flash Conn
USB 1	USB Conn
USB 2	USB Conn
USB 3	USB Conn
USB 4	Card Reader
USB 5	Minicard
USB 6	NC
USB 7	Camera

**PCIE**

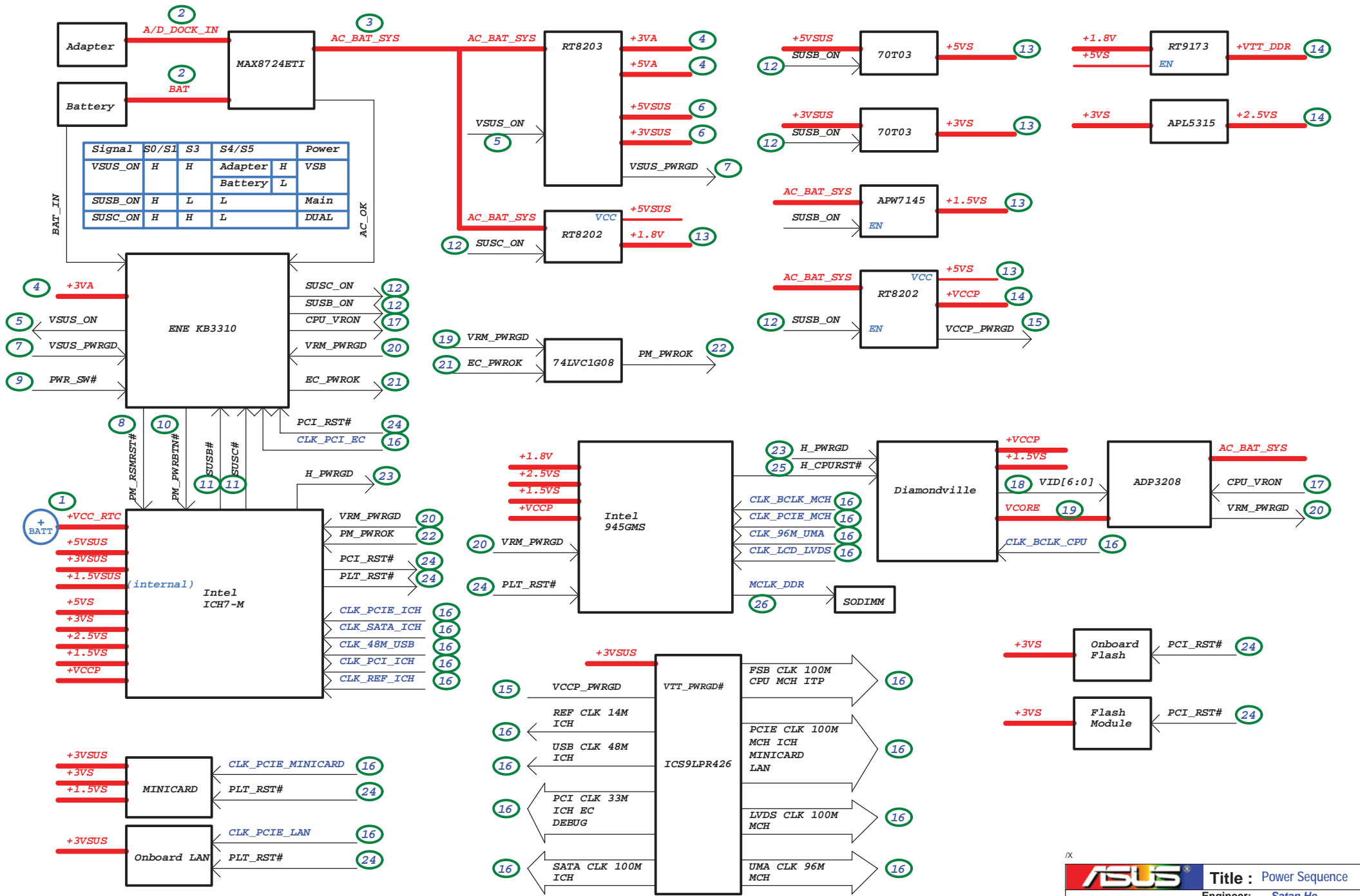
PCIE 1	NC
PCIE 2	LAN
PCIE 3	Minicard
PCIE 4	NC

**Azalia**

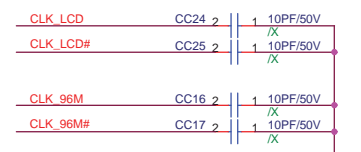
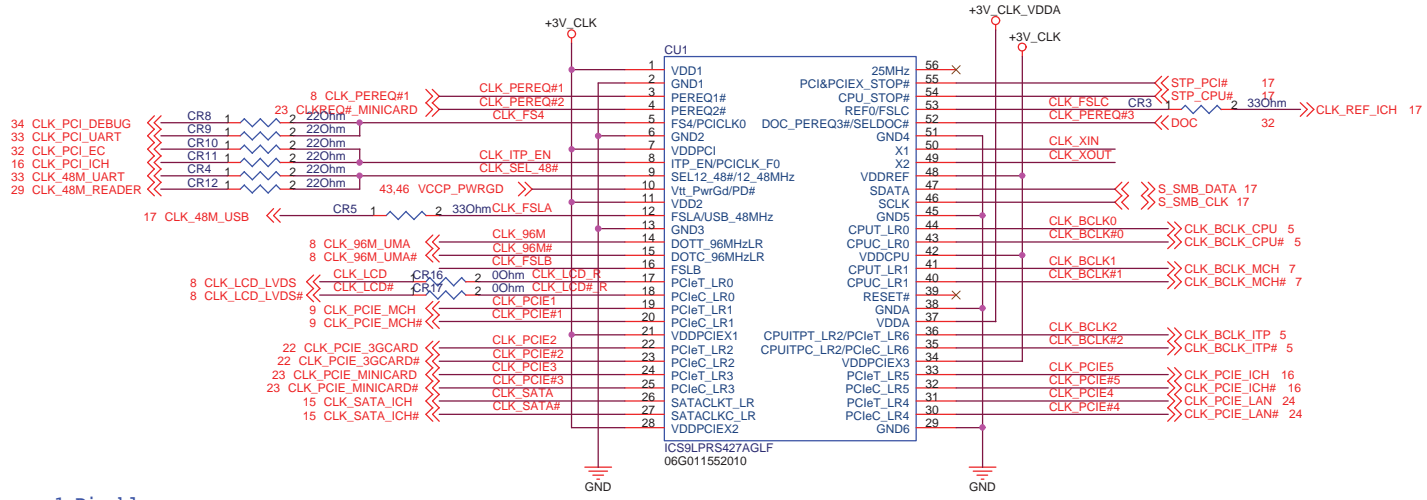
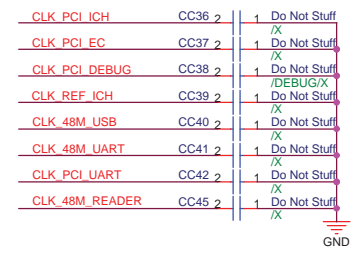
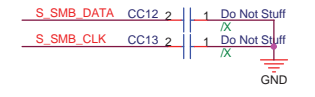
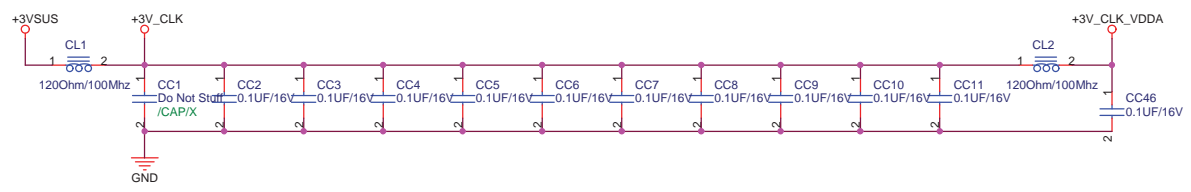
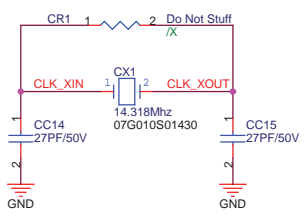
ACZ_SDIN0	CODEC
ACZ_SDIN1	MODEM
ACZ_SDIN2	NC

<http://hobi-elektronika.net>

		<b>Title : System Setting</b>	
ASUSTek Computer INC.		Engineer: <i>Satan_He</i>	
Size	Project Name	Rev	
A3	<b>P901</b>	1,00G	
Date: Monday, March 31, 2008		Sheet	2 of 50



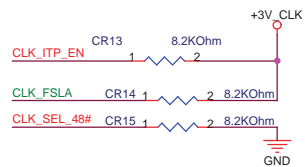
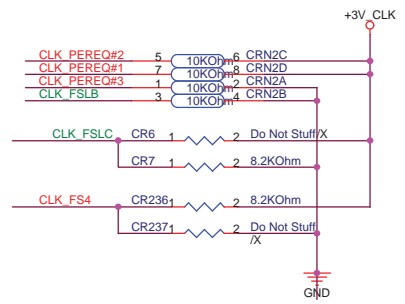
<http://hobi-elektronika.net>



1:Disable  
0:Enable

PEREQ1:PCIEx0 & PCIEx1  
PEREQ2:PCIEx2 & PCIEx3 & SATA  
PEREQ3:PCIEx4 & PCIEx5 & PCIEx6

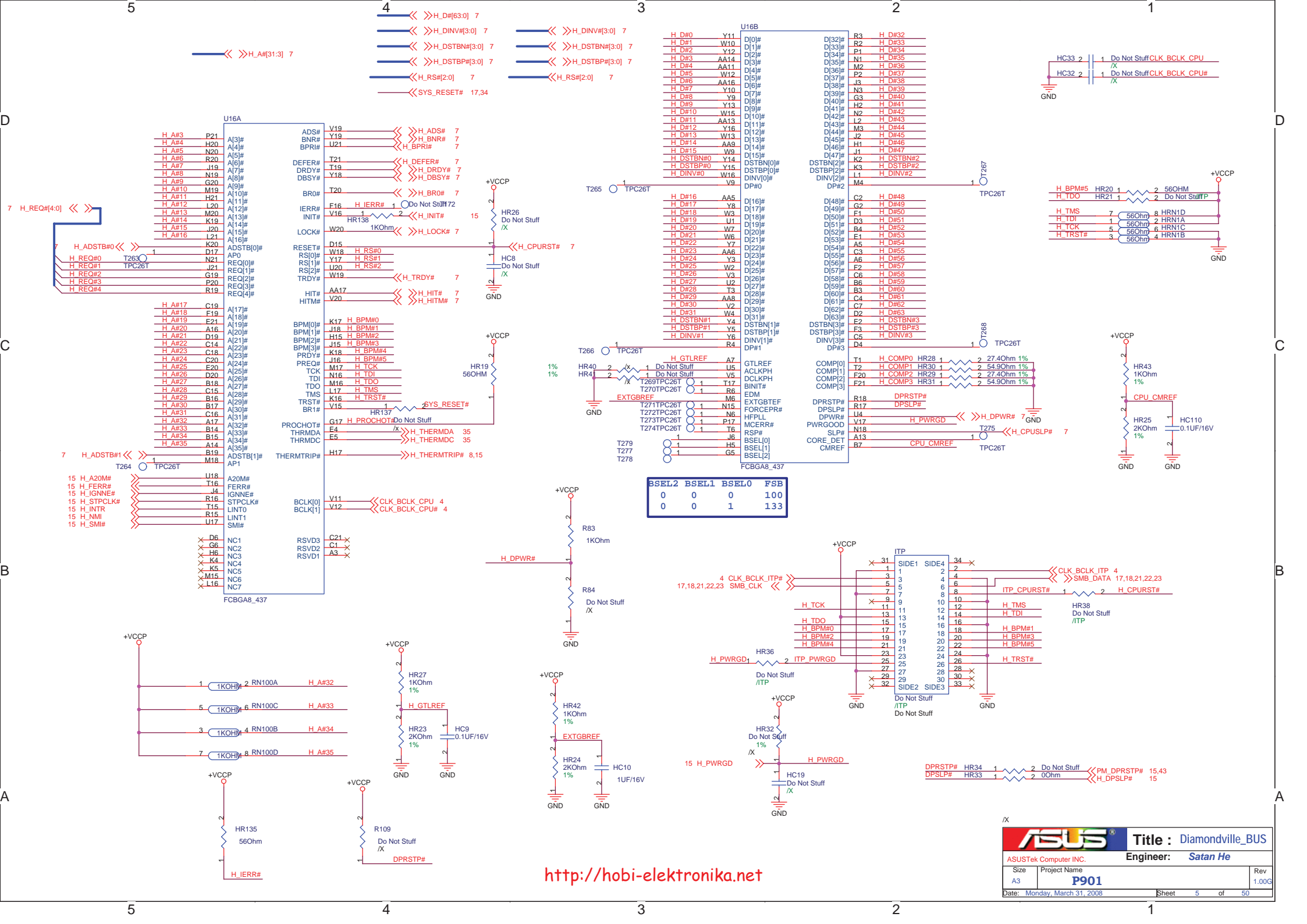
FSC	FSB	FSA	CPU	PCIE	SATA
0	0	1	133	100	100
1	0	1	100	100	100



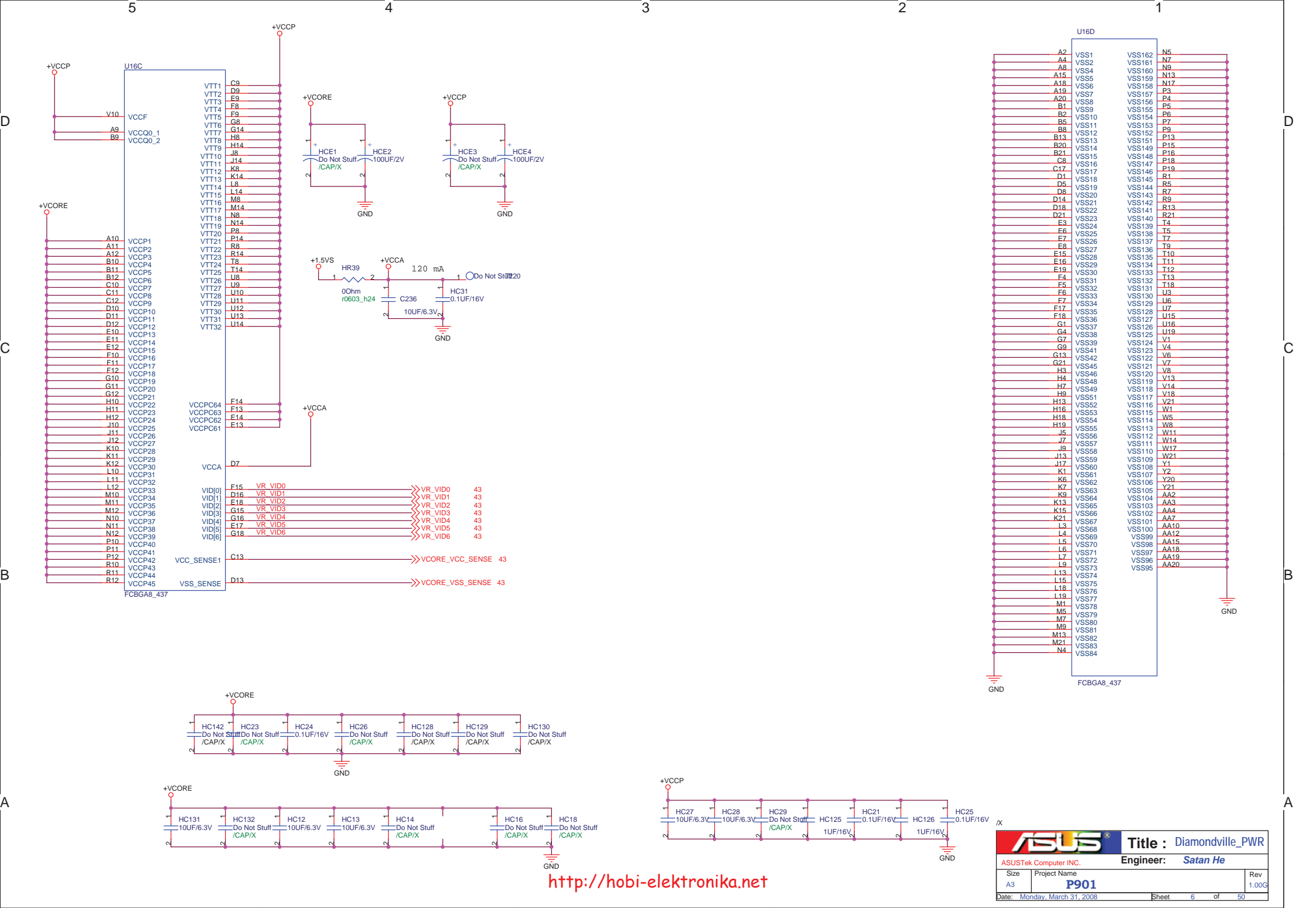
<http://hobi-elektronika.net>

ASUS® Title : Clock Gen\_ICS9LPRS427  
ASUSTek Computer INC. Engineer: **Satan He**

Size	Project Name	Rev
A3	<b>P901</b>	1.0G
Date: Monday, March 31, 2008	Sheet 4 of 50	



BSEL2	BSEL1	BSEL0	FSB
0	0	0	1.00
0	0	1	1.33



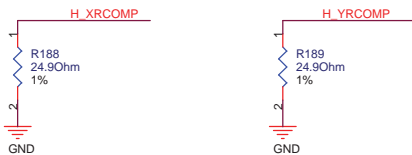
<http://hobi-elektronika.net>

<b>ASUS</b>		<b>Title : Diamondville_PWR</b>	
ASUSTek Computer INC.		Engineer: <b>Satan He</b>	
Size	Project Name		Rev
A3	<b>P901</b>		1.00G
Date: Monday, March 31, 2008		Sheet	6 of 50

Power :  
+VCCP

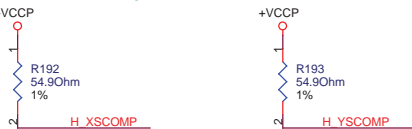
### RCOMP

For Calibrating the FSB I/O Buffer



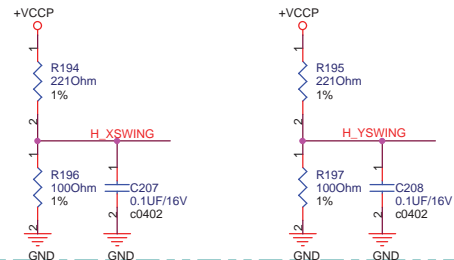
### SCOMP

For Slew Rate Compensation on the FSB

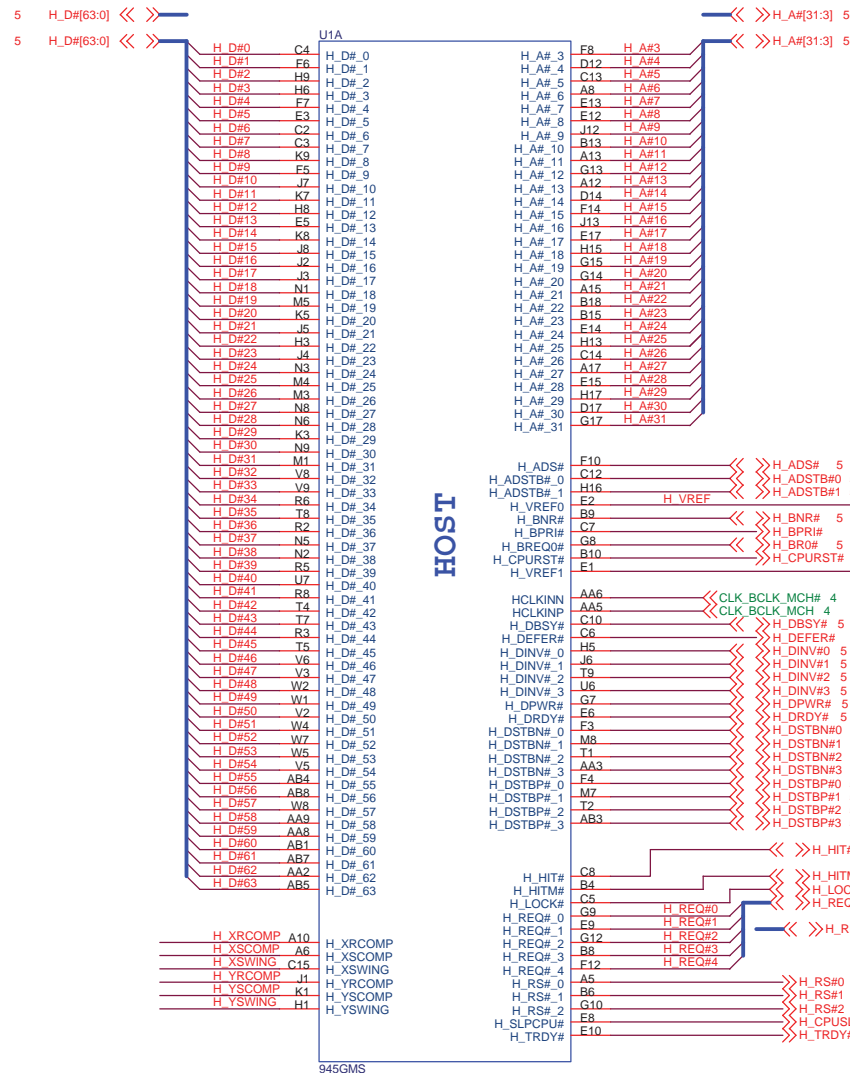


### Voltage Swing

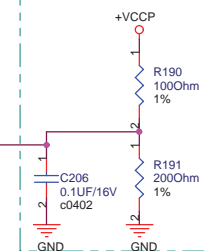
For Providing a Reference Voltage to The FSB RCOMP circuits



Signal voltage level =  
0.3125\*VCCP  
Trace should be 10 mil wide  
with 20 mil spacing

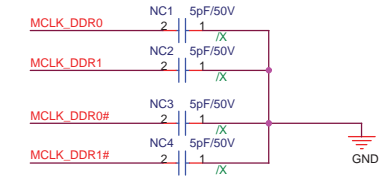
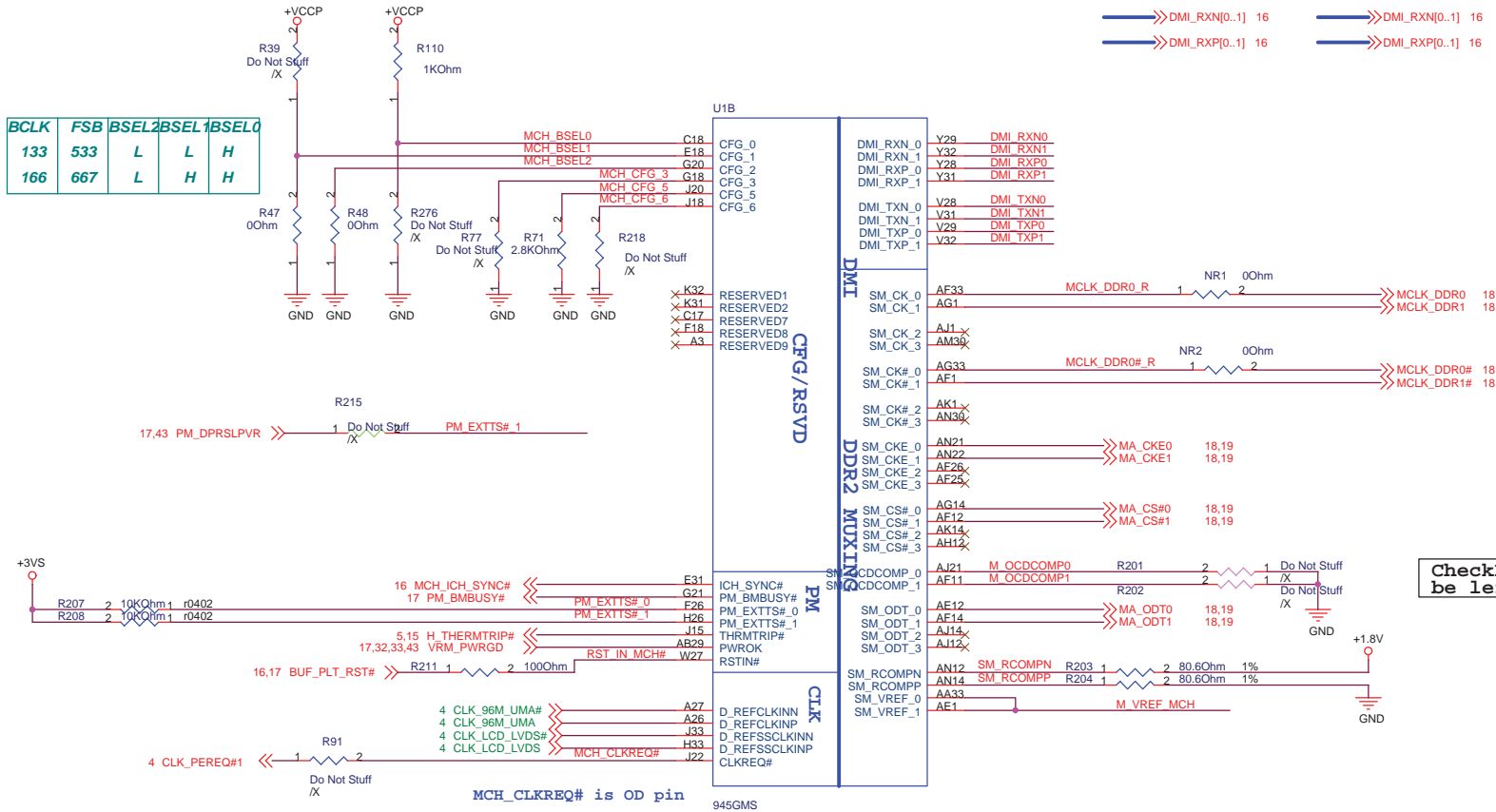


### AGTL+ I/O Voltage Reference

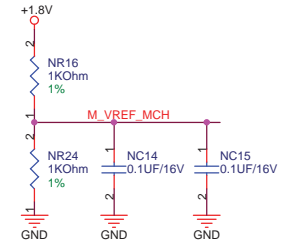


Layout Note:  
0.1uF should be placed 100mils or  
less from GMCH pin.

BCLK	FSB	BSEL2	BSEL1	BSEL0
133	533	L	L	H
166	667	L	H	H

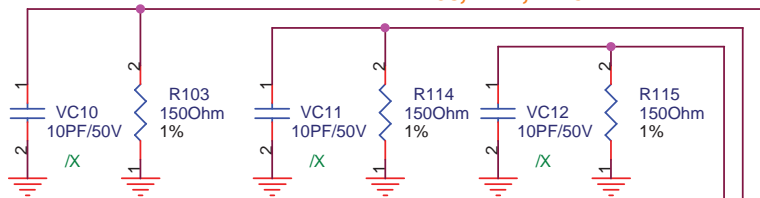


CheckList notes :Can be left as NC

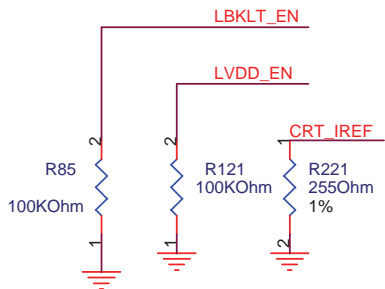
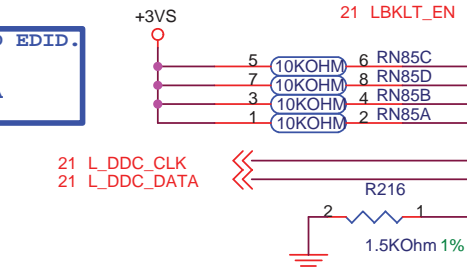




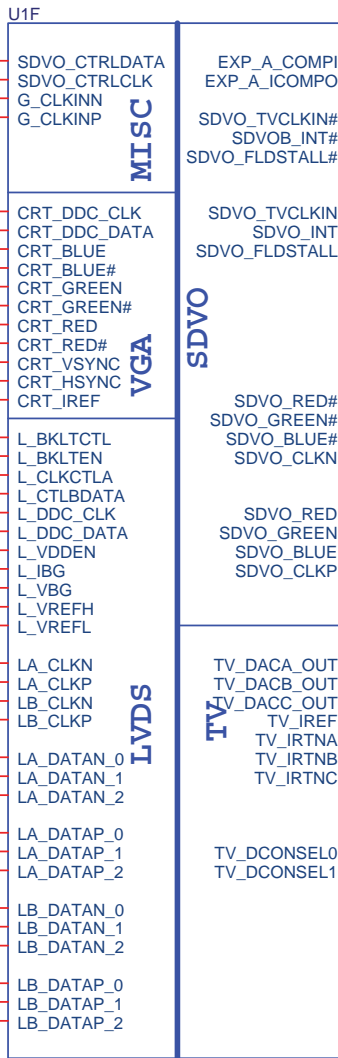
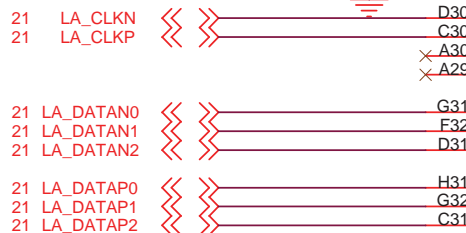
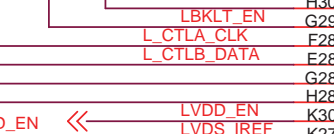
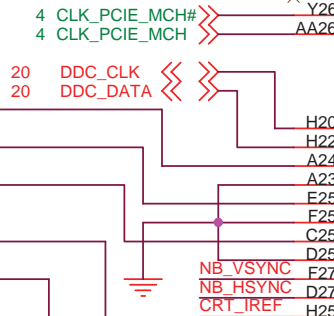
Close to GMCH  
R103,R114,R115



IF USE NB READ EDID.  
MUST CONNECT  
L\_DDC\_CLK&DATA



Close to GMCH



945GMS

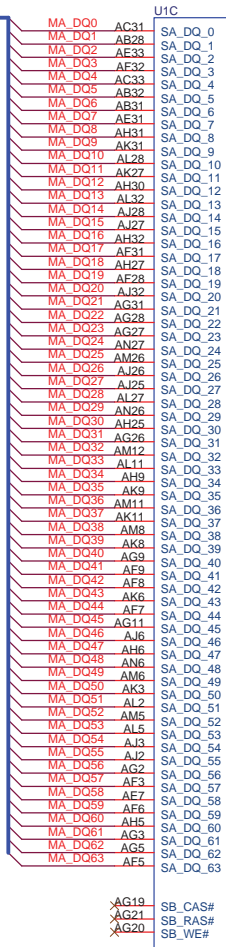
/X

		Title : NB-945GMS(GRAPHIC)	
ASUSTeK COMPUTER INC.		Engineer: Satan_He	
Size A4	Project Name <b>P901</b>	Rev 1.00G	
Date: Monday, March 31, 2008	Sheet 9 of 50		

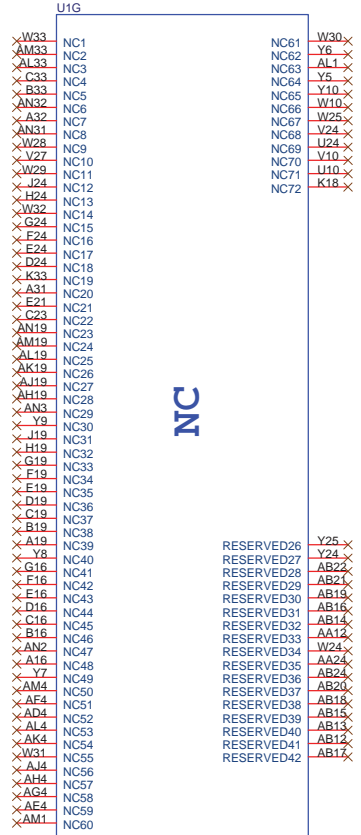
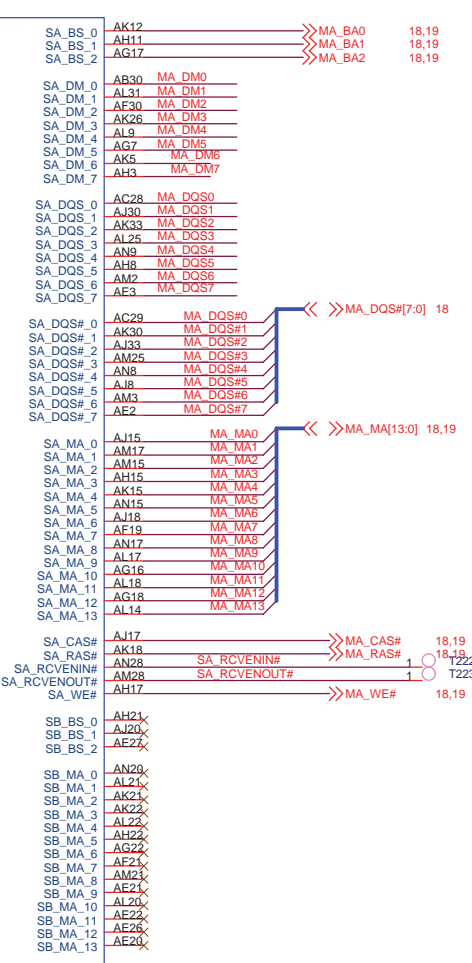
<http://hobi-elektronika.net>

18 MA\_DQ[63:0] << >>  
 18 MA\_DQ[63:0] << >>

<< >> MA\_DQS[7:0] 18  
 << >> MA\_DM[7:0] 18



DDR2 SYSTEM MEMORY

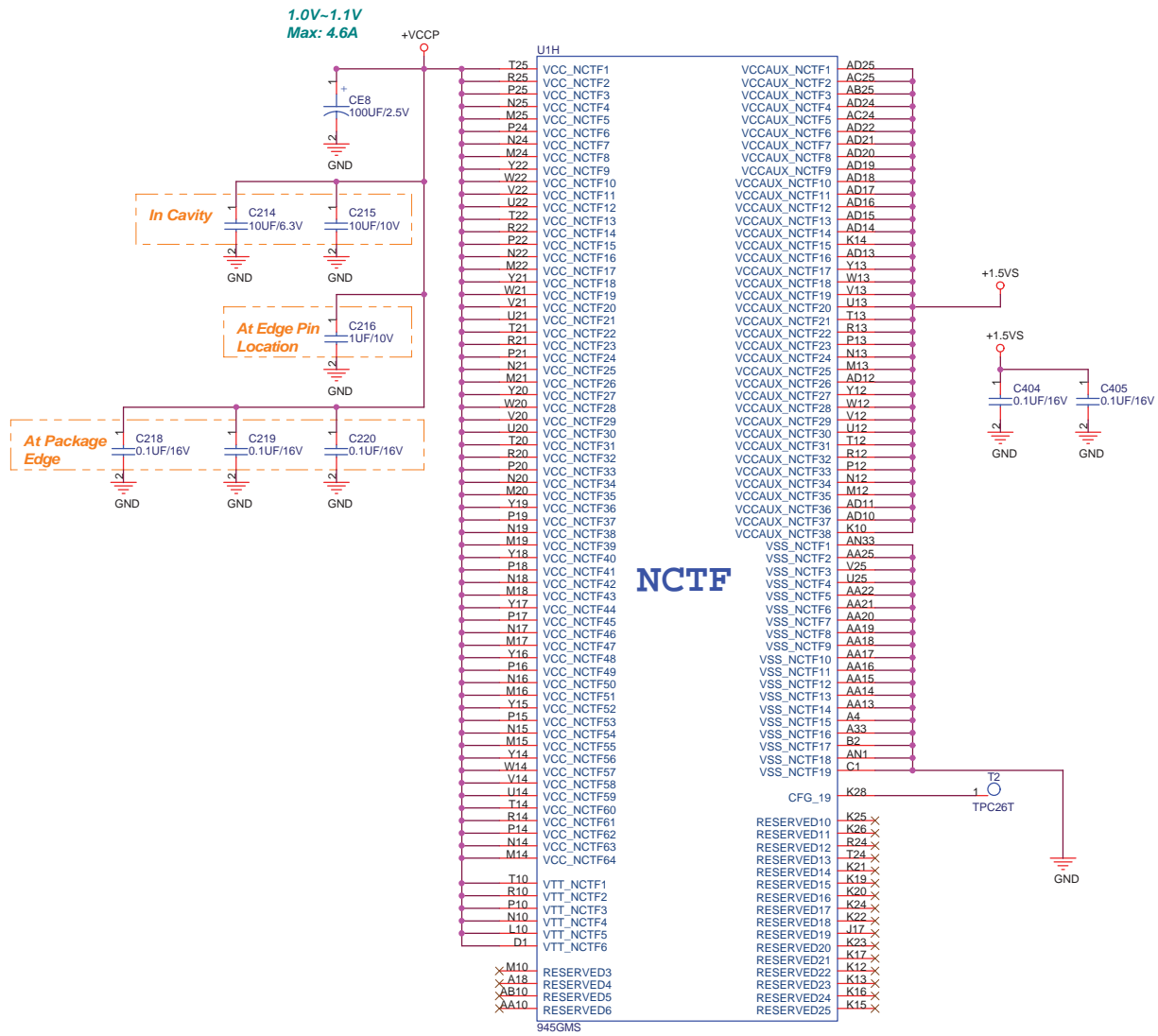


945GMS

945GMS

ASUS Title : NB-945GMS(DDR2)  
 ASUSTek COMPUTER INC. Engineer: Satan He

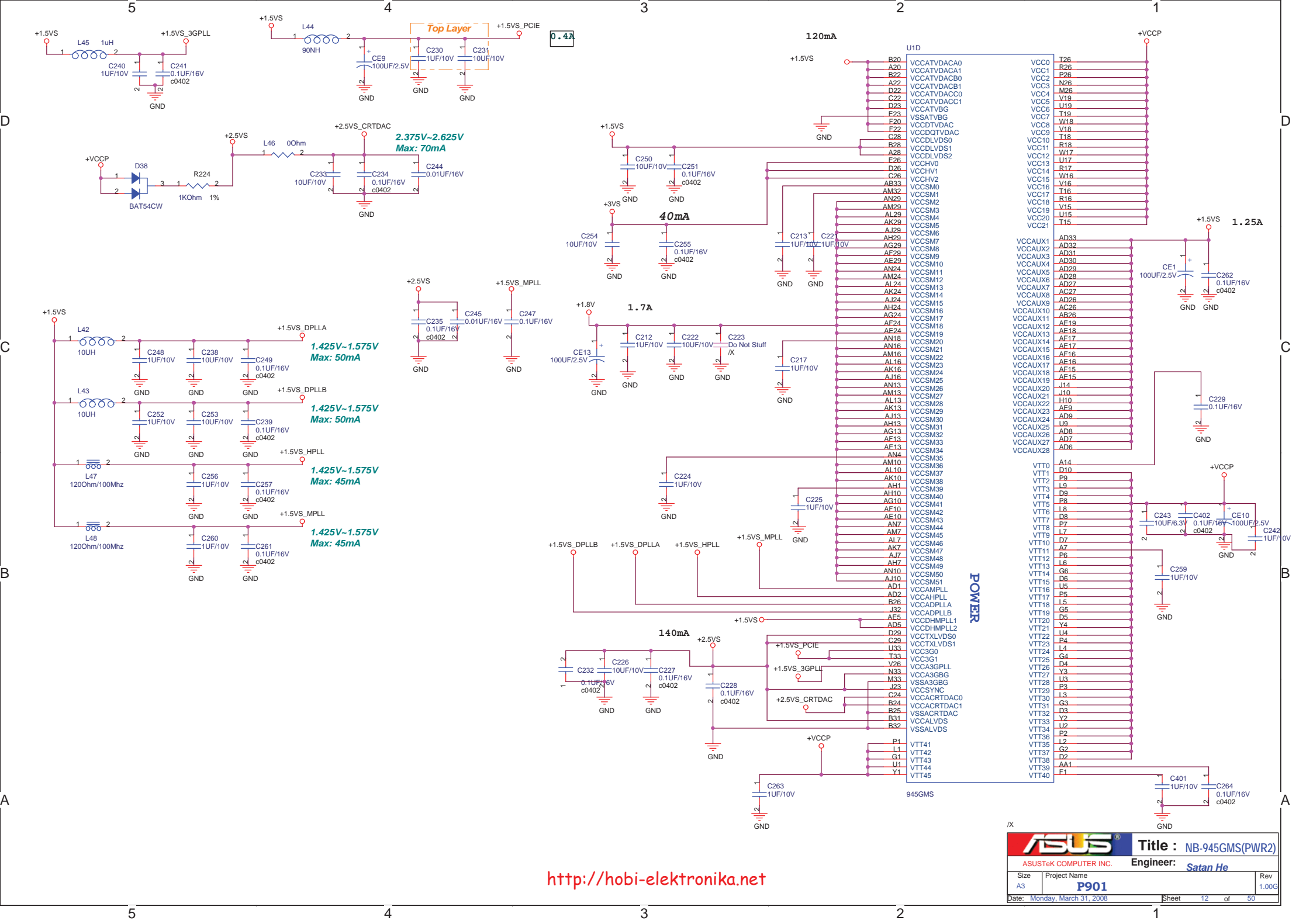
Size A3	Project Name P901	Rev 1.00G
Date: Monday, March 31, 2008		Sheet 10 of 50



**NCTF**

**CFG\_19(K28) Strapping :**  
**DMI LANE Reversal:**  
 0:Normal Operation (Default)  
 1.:Reversal Lanes, 3->0,2->1..etc  
 Note:945GMS doesn't support DMI Lane Reversal

<b>ASUS</b>		<b>Title : NB-945GMS(PWR)</b>	
ASUSTek COMPUTER INC.		Engineer: <i>Satan_He</i>	
Size A3	Project Name <b>P901</b>	Rev 1.00G	
Date: Monday, March 31, 2008		Sheet	11 of 50



0.4A

2.375V-2.625V  
Max: 70mA

1.425V-1.575V  
Max: 50mA

1.425V-1.575V  
Max: 50mA

1.425V-1.575V  
Max: 45mA

1.425V-1.575V  
Max: 45mA

1.7A

140mA

120mA

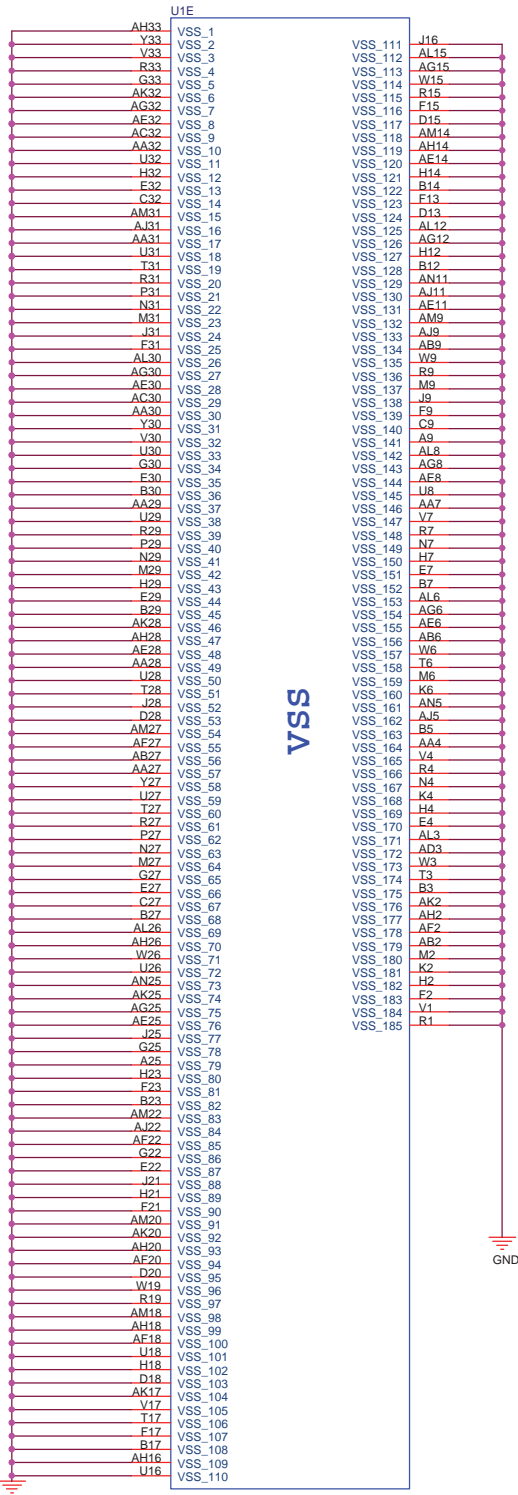
40mA

1.25A

POWER

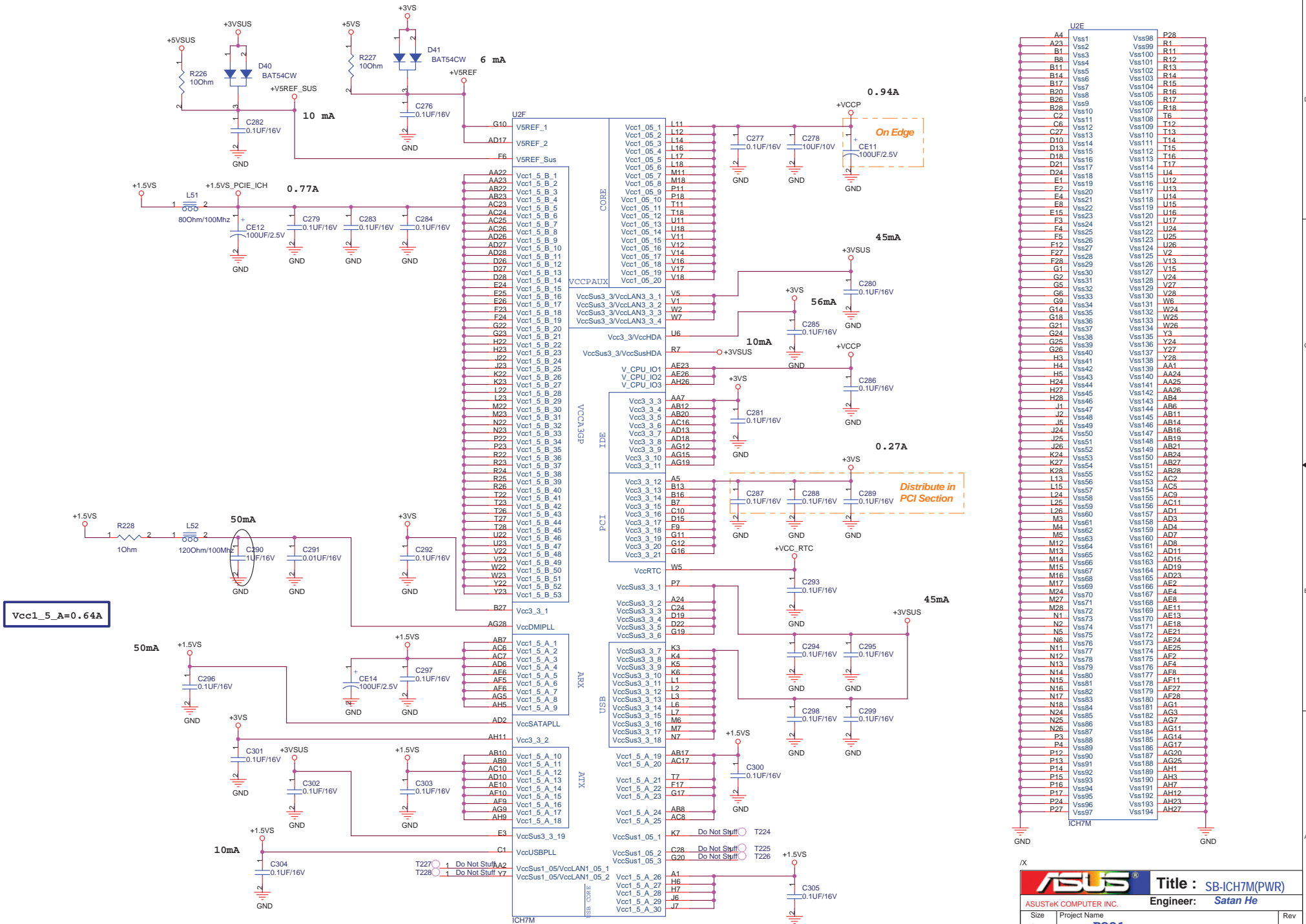
		<b>Title :</b> NB-945GMS(PWR2)	
ASUSTeK COMPUTER INC.		<b>Engineer:</b> Satan He	
Size	Project Name		Rev
A3	P901		1.00G
Date: Monday, March 31, 2008		Sheet 12 of 50	

<http://hobi-elektronika.net>



<http://hobi-elektronika.net>

		<b>Title :</b> NB-945PMS(GND)	
ASUSTeK COMPUTER INC.		<b>Engineer:</b> Satan_He	
Size	Project Name	Rev	
A3	<b>P901</b>	1.00G	
Date: Monday, March 31, 2008		Sheet	13 of 50

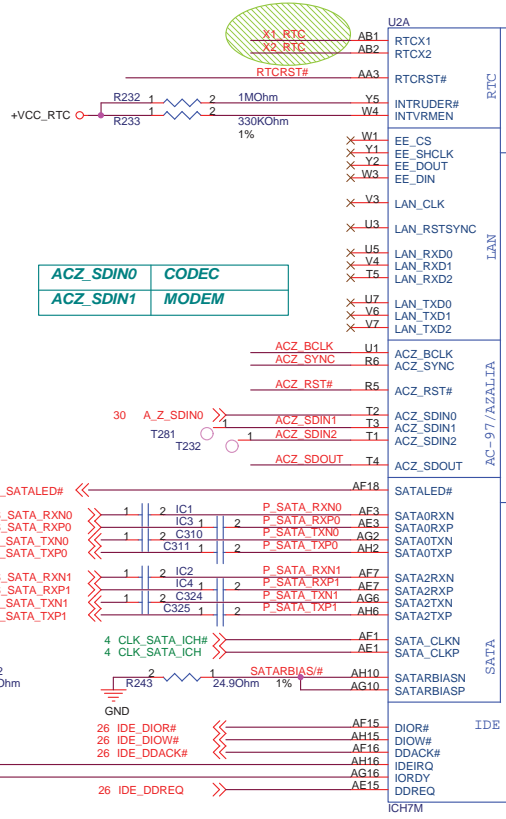
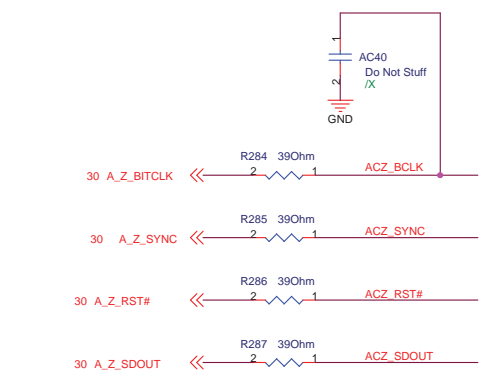
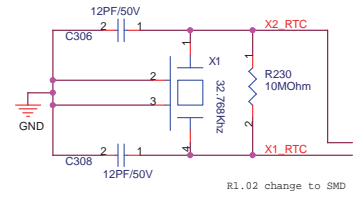
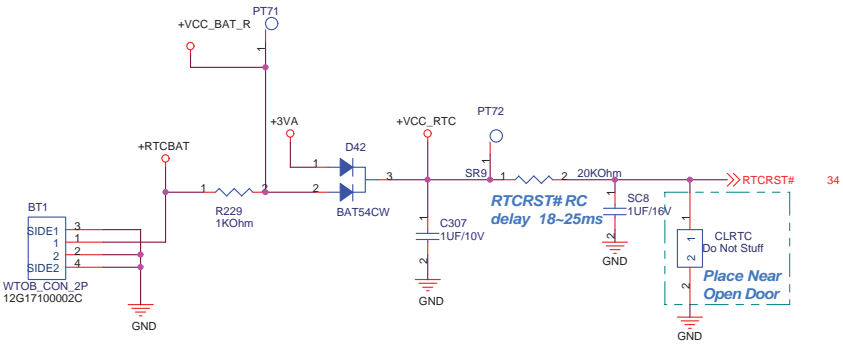


U2E		P28	
A4	Vss1	Vss98	R1
A23	Vss2	Vss99	R11
B1	Vss3	Vss100	R12
B8	Vss4	Vss101	R13
B11	Vss5	Vss102	R14
B14	Vss6	Vss103	R15
B17	Vss7	Vss104	R16
B20	Vss8	Vss105	R17
B26	Vss9	Vss106	R18
B28	Vss10	Vss107	T6
C2	Vss11	Vss108	T12
C6	Vss12	Vss109	T16
C27	Vss13	Vss110	T13
D10	Vss14	Vss111	T14
D18	Vss15	Vss112	T15
D21	Vss16	Vss113	T17
D24	Vss17	Vss114	T17
E1	Vss18	Vss115	U4
E2	Vss19	Vss116	U13
E4	Vss20	Vss117	U12
E8	Vss21	Vss118	U14
F15	Vss22	Vss119	U15
F3	Vss23	Vss120	U16
F4	Vss24	Vss121	U24
F5	Vss25	Vss122	U25
F12	Vss26	Vss123	U25
F22	Vss27	Vss124	U26
F26	Vss28	Vss125	V13
G1	Vss29	Vss126	V15
G2	Vss30	Vss127	V15
G5	Vss31	Vss128	V24
G6	Vss32	Vss129	V27
G9	Vss33	Vss130	W6
G14	Vss34	Vss131	W24
G18	Vss35	Vss132	W25
G21	Vss36	Vss133	W26
G24	Vss37	Vss134	Y3
G25	Vss38	Vss135	Y24
G26	Vss39	Vss136	Y27
H3	Vss40	Vss137	Y28
H4	Vss41	Vss138	AA1
H5	Vss42	Vss139	AA24
H24	Vss43	Vss140	AA25
H27	Vss44	Vss141	AA26
H28	Vss45	Vss142	AA26
J1	Vss46	Vss143	AB4
J2	Vss47	Vss144	AB6
J5	Vss48	Vss145	AB11
J24	Vss49	Vss146	AB14
J25	Vss50	Vss147	AB16
J26	Vss51	Vss148	AB19
J28	Vss52	Vss149	AB21
K24	Vss53	Vss150	AB24
K27	Vss54	Vss151	AB27
K28	Vss55	Vss152	AB28
L13	Vss56	Vss153	AC2
L15	Vss57	Vss154	AC5
L24	Vss58	Vss155	AC9
L25	Vss59	Vss156	AC11
L26	Vss60	Vss157	AD1
M3	Vss61	Vss158	AD3
M4	Vss62	Vss159	AD4
M5	Vss63	Vss160	AD7
M12	Vss64	Vss161	AD8
M13	Vss65	Vss162	AD11
M14	Vss66	Vss163	AD15
M15	Vss67	Vss164	AD19
M16	Vss68	Vss165	AD23
M17	Vss69	Vss166	AE2
M27	Vss70	Vss167	AE8
M28	Vss71	Vss168	AE11
N1	Vss72	Vss169	AE13
N2	Vss73	Vss170	AE18
N5	Vss74	Vss171	AE21
N6	Vss75	Vss172	AE24
N11	Vss76	Vss173	AE25
N12	Vss77	Vss174	AF4
N13	Vss78	Vss175	AF4
N14	Vss79	Vss176	AF4
N15	Vss80	Vss177	AF11
N16	Vss81	Vss178	AF27
N17	Vss82	Vss179	AF28
N18	Vss83	Vss180	AG1
N24	Vss84	Vss181	AG1
N25	Vss85	Vss182	AG3
N26	Vss86	Vss183	AG7
P3	Vss87	Vss184	AG11
P4	Vss88	Vss185	AG14
P12	Vss89	Vss186	AG17
P13	Vss90	Vss187	AG25
P14	Vss91	Vss188	AH1
P15	Vss92	Vss189	AH1
P16	Vss93	Vss190	AH2
P17	Vss94	Vss191	AH12
P24	Vss95	Vss192	AH23
P27	Vss96	Vss193	AH23
P27	Vss97	Vss194	AH27

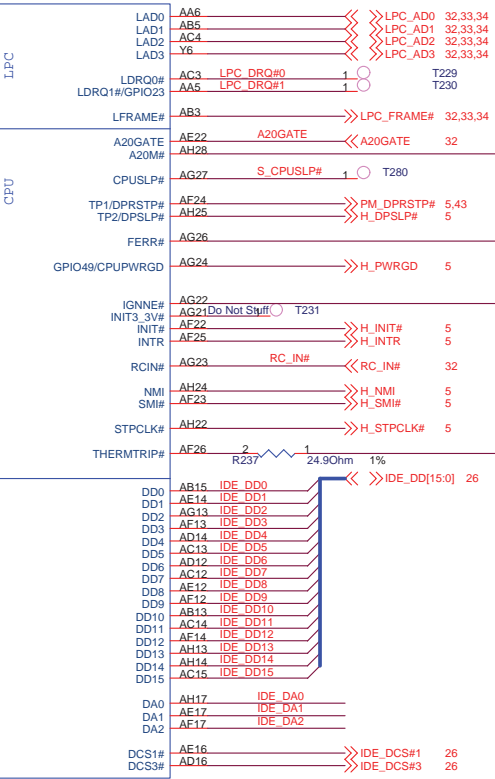
**ASUS** Title : SB-ICH7M(PWR)  
 ASUSTek COMPUTER INC. Engineer: **Satan He**

Size	Project Name	Rev
Custom	<b>P901</b>	1.00G
Date: Monday, March 31, 2008	Sheet 14 of 50	

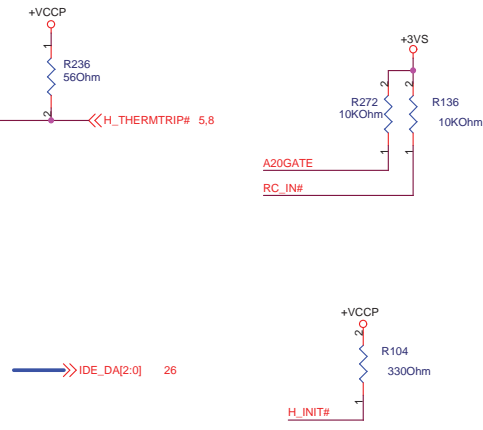
<http://hobi-elektronika.net>

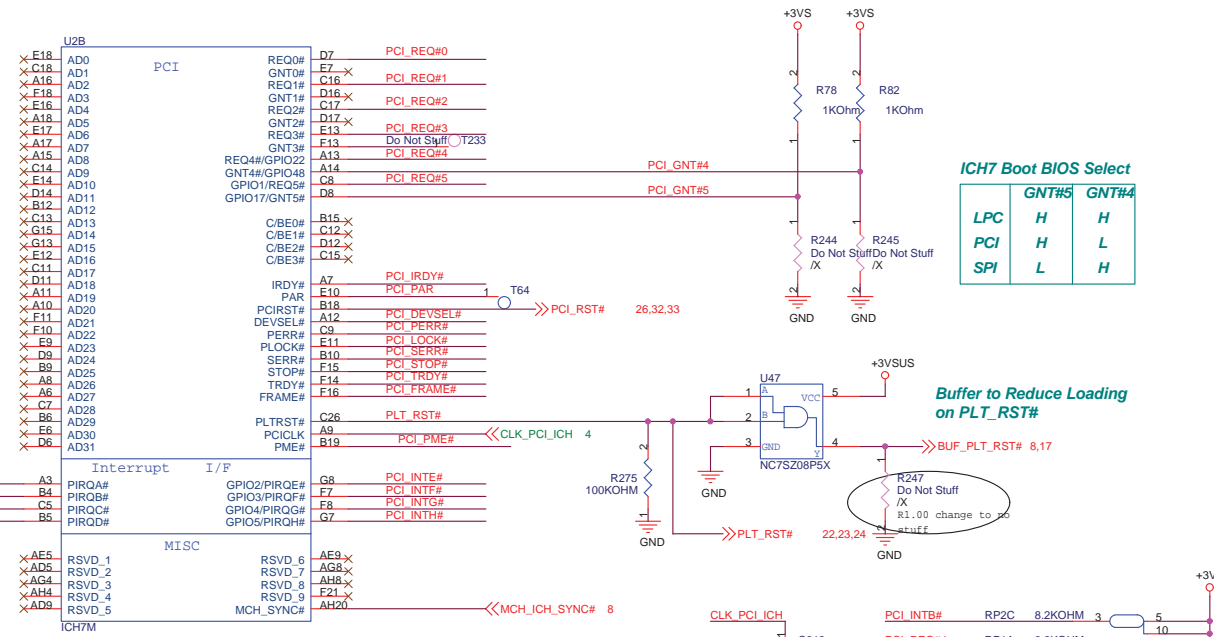


ACZ_SDIN0	CODEC
ACZ_SDIN1	MODEM



NO STUFF R107.CPUSLP# ONLY USE IN DESTOP

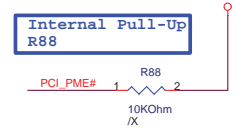
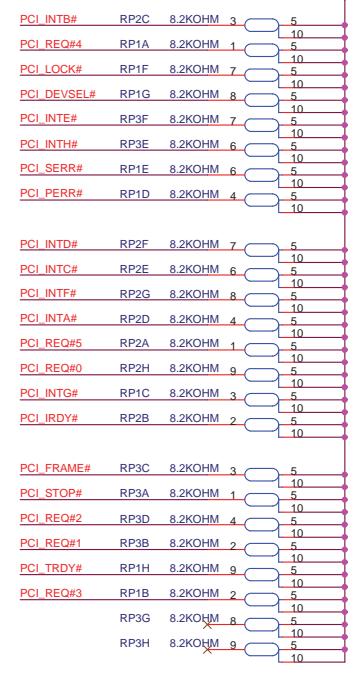
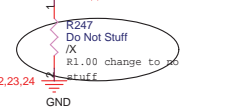




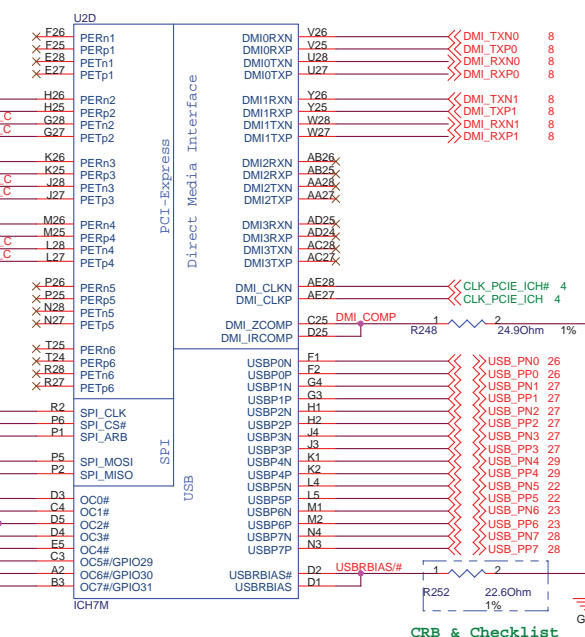
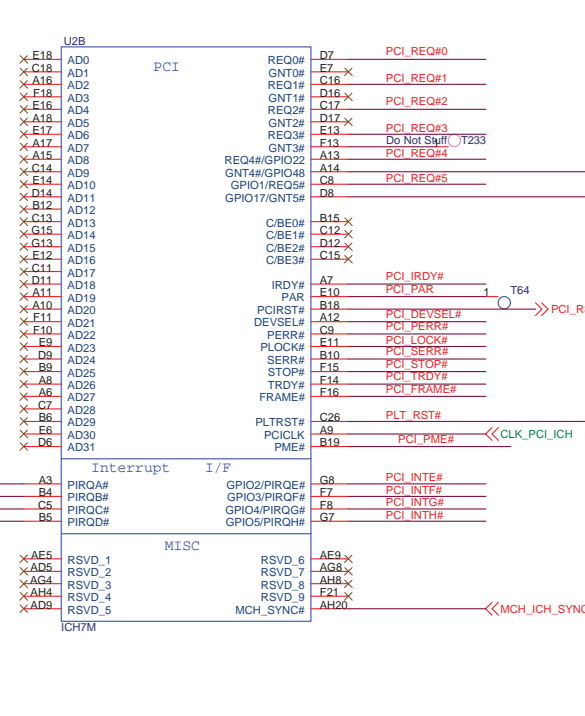
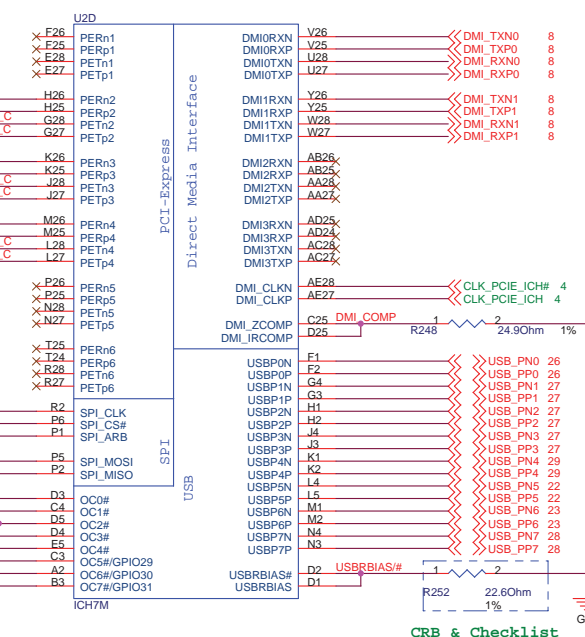
**ICH7 Boot BIOS Select**

	GNT#5	GNT#4
LPC	H	H
PCI	H	L
SPI	L	H

Buffer to Reduce Loading on PLT\_RST#



- USB 0 Flash Conn (Long Card)
- USB 1 USB Conn
- USB 2 USB Conn
- USB 3 USB Conn
- USB 4 Card Reader
- USB 5 Minicard + 3.5G
- USB 6 Bluetooth
- USB 7 Camera

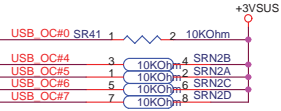


CRB & Checklist

LAN AR8113 IC

3.5G PCIExpress Card

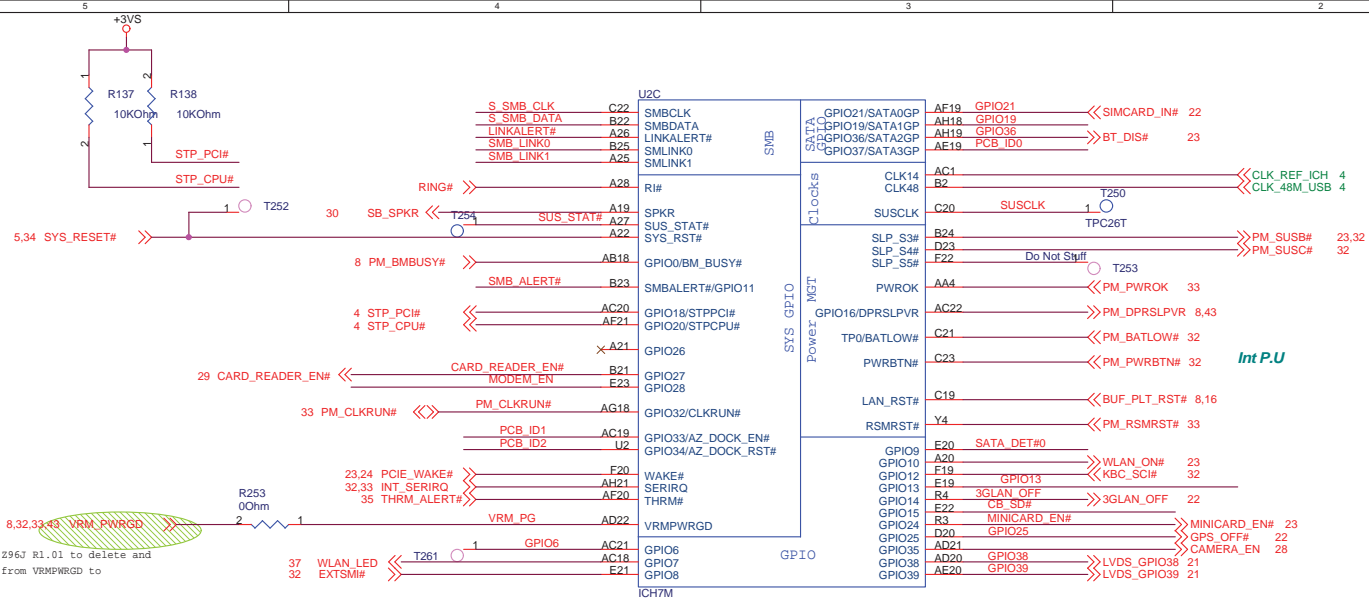
WIFI PCIExpress Card



<http://hobi-elektronika.net>

**ASUS** Title : SB-ICH7M(2)  
 ASUSTek COMPUTER INC. Engineer: Satan He  
 Size Project Name  
 Custom P901 Rev 1.00G  
 Date: Monday, March 31, 2008 Sheet 16 of 50



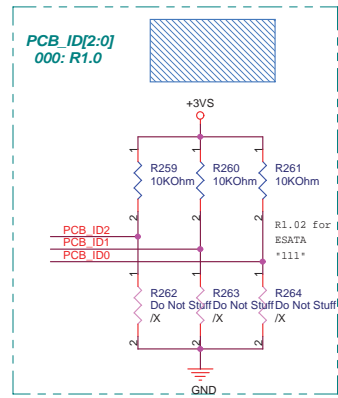
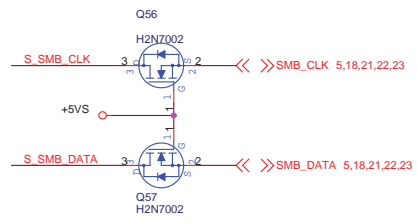


05/12/30, refer Z963 R1.01 to delete and change net name from VRMPWRGD to VRM\_PWRGD.

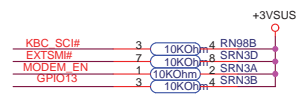
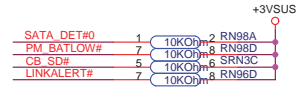
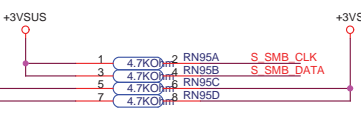
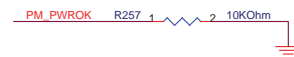
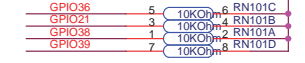
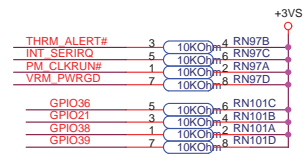
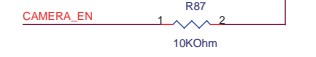
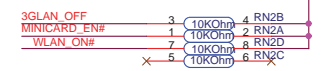
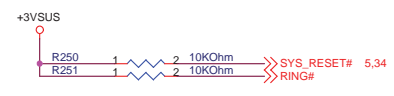
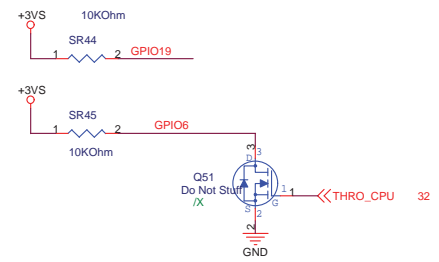
8,32,33,47 VRM\_PWRGD

S SMB\_CLK <<> S SMB\_CLK 4  
S SMB\_DATA <<> S SMB\_DATA 4

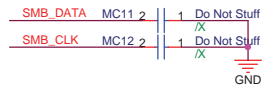
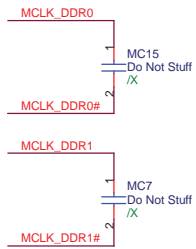
WLAN_LED	WLAN	BT
High	v	v
High	v	x
High	x	v
Low	x	x



PCB\_VID3 : PROJECT CODE

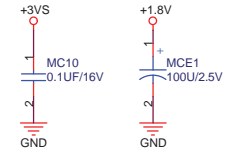
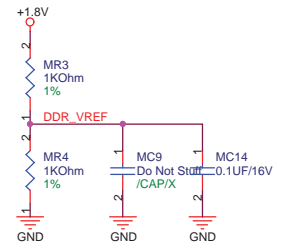
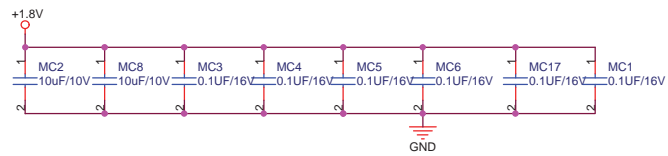


ASUS Title : SB-ICH7M(3)  
 ASUSTek COMPUTER INC Engineer: Satan He  
 Size Project Name  
 Custom P901  
 Date: Monday, March 31, 2008 Sheet 17 of 50



STD Type

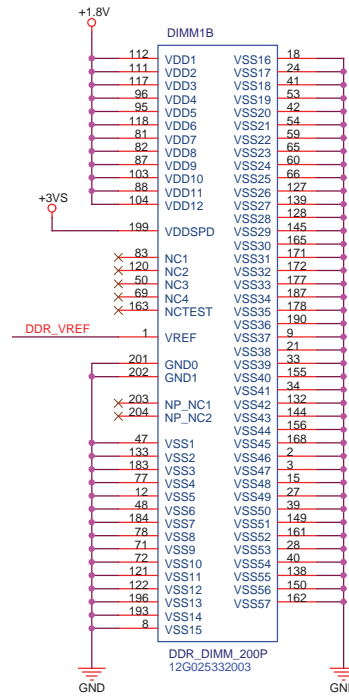
- MA\_DQ[63:0] 10
- MA\_DQS[7:0] 10
- MA\_DQS#[7:0] 10
- MA\_DM[7:0] 10
- MA\_MA[13:0] 10,19
- MA\_BA[2:0] 10,19



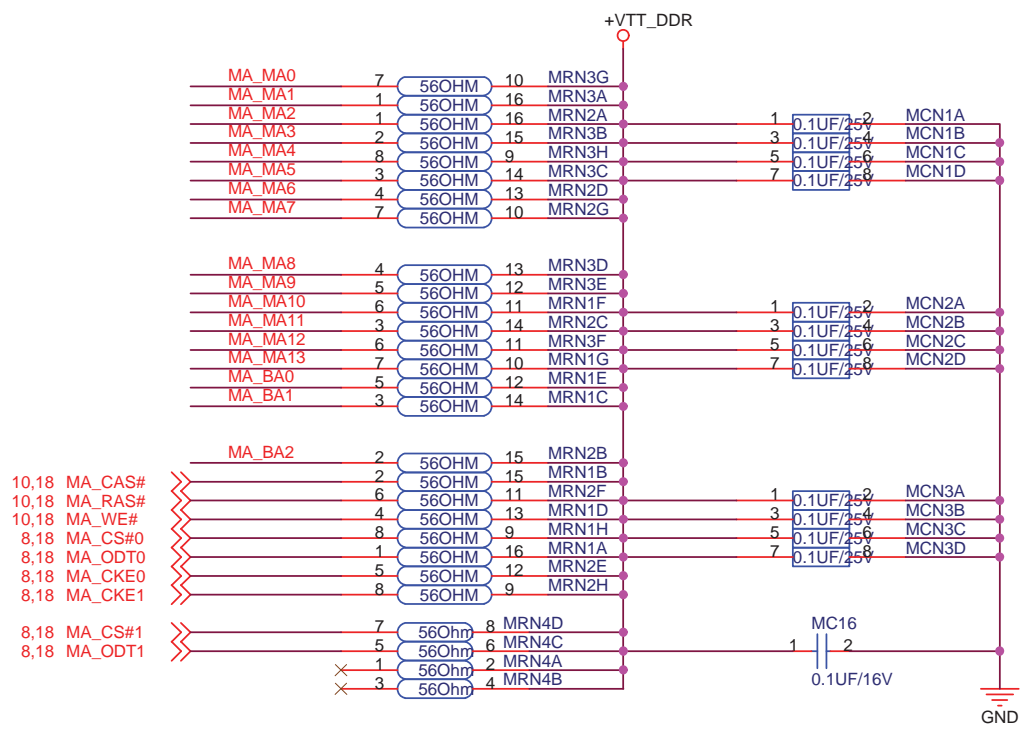
DIMM1A		DIMM1B	
MA_MA0	102	A0	DQ0
MA_MA1	101	A1	DQ1
MA_MA2	100	A2	DQ2
MA_MA3	99	A3	DQ3
MA_MA4	98	A4	DQ4
MA_MA5	97	A5	DQ5
MA_MA6	94	A6	DQ6
MA_MA7	92	A7	DQ7
MA_MA8	93	A8	DQ8
MA_MA9	91	A9	DQ9
MA_MA10	105	A10/AP	DQ10
MA_MA11	90	A11	DQ11
MA_MA12	89	A12	DQ12
MA_MA13	116	A13	DQ13
	X 86	A14	DQ14
	X 84	A15	DQ15
MA_BA2	X 85	A16_BA2	DQ16
MA_BA0	107	BA0	DQ17
MA_BA1	106	BA1	DQ18
	110	BA2	DQ19
8,19 MA_CS#0	X 115	S0#	DQ20
8,19 MA_CS#1	X 110	S1#	DQ21
8 MCLK_DDR0	30	CK0	DQ22
8 MCLK_DDR0#	32	CK0#	DQ23
8 MCLK_DDR1	164	CK1	DQ24
8 MCLK_DDR1#	166	CK1#	DQ25
8,19 MA_CKE0	79	CKE0	DQ26
8,19 MA_CKE1	80	CKE1	DQ27
10,19 MA_CAS#	113	CAS#	DQ28
10,19 MA_RAS#	108	RAS#	DQ29
10,19 MA_WE#	109	WE#	DQ30
	198	SA0	DQ31
	200	SA1	DQ32
5,17,21,22,23 SMB_CLK	X 197	SCL	DQ33
5,17,21,22,23 SMB_DATA	X 195	SDA	DQ34
	114	ODT0	DQ35
8,19 MA_ODT0	X 119	ODT0	DQ36
8,19 MA_ODT1	X 119	ODT1	DQ37
	10	DM0	DQ38
MA_DM0	10	DM0	DQ39
MA_DM2	26	DM1	DQ40
MA_DM1	52	DM2	DQ41
MA_DM3	67	DM3	DQ42
MA_DM4	130	DM4	DQ43
MA_DM5	147	DM5	DQ44
MA_DM6	170	DM6	DQ45
MA_DM7	185	DM7	DQ46
	141	MA_DQ48	DQ47
MA_DQ0	13	DQ48	DQ48
MA_DQ0	13	DQ49	DQ49
MA_DQ1	31	DQ50	DQ50
MA_DQ2	51	DQ51	DQ51
MA_DQ3	70	DQ52	DQ52
MA_DQ4	131	DQ53	DQ53
MA_DQ5	148	DQ54	DQ54
MA_DQ6	169	DQ55	DQ55
MA_DQ7	188	DQ56	DQ56
MA_DQ8	11	DQ57	DQ57
MA_DQ9	29	DQ58	DQ58
MA_DQ10	49	DQ59	DQ59
MA_DQ11	68	DQ60	DQ60
MA_DQ12	129	DQ61	DQ61
MA_DQ13	146	DQ62	DQ62
MA_DQ14	167	DQ63	DQ63
MA_DQ15	186	DQ64	DQ64
MA_DQ16		DQ65	DQ65
MA_DQ17		DQ66	DQ66
MA_DQ18		DQ67	DQ67
MA_DQ19		DQ68	DQ68
MA_DQ20		DQ69	DQ69
MA_DQ21		DQ70	DQ70
MA_DQ22		DQ71	DQ71
MA_DQ23		DQ72	DQ72
MA_DQ24		DQ73	DQ73
MA_DQ25		DQ74	DQ74
MA_DQ26		DQ75	DQ75
MA_DQ27		DQ76	DQ76
MA_DQ28		DQ77	DQ77
MA_DQ29		DQ78	DQ78
MA_DQ30		DQ79	DQ79
MA_DQ31		DQ80	DQ80
MA_DQ32		DQ81	DQ81
MA_DQ33		DQ82	DQ82
MA_DQ34		DQ83	DQ83
MA_DQ35		DQ84	DQ84
MA_DQ36		DQ85	DQ85
MA_DQ37		DQ86	DQ86
MA_DQ38		DQ87	DQ87
MA_DQ39		DQ88	DQ88
MA_DQ40		DQ89	DQ89
MA_DQ41		DQ90	DQ90
MA_DQ42		DQ91	DQ91
MA_DQ43		DQ92	DQ92
MA_DQ44		DQ93	DQ93
MA_DQ45		DQ94	DQ94
MA_DQ46		DQ95	DQ95
MA_DQ47		DQ96	DQ96
MA_DQ48		DQ97	DQ97
MA_DQ49		DQ98	DQ98
MA_DQ50		DQ99	DQ99
MA_DQ51		DQ100	DQ100
MA_DQ52		DQ101	DQ101
MA_DQ53		DQ102	DQ102
MA_DQ54		DQ103	DQ103
MA_DQ55		DQ104	DQ104
MA_DQ56		DQ105	DQ105
MA_DQ57		DQ106	DQ106
MA_DQ58		DQ107	DQ107
MA_DQ59		DQ108	DQ108
MA_DQ60		DQ109	DQ109
MA_DQ61		DQ110	DQ110
MA_DQ62		DQ111	DQ111
MA_DQ63		DQ112	DQ112

DDR\_DIMM\_200P  
12G025332003

GROUP1  
GROUP2  
SWAP

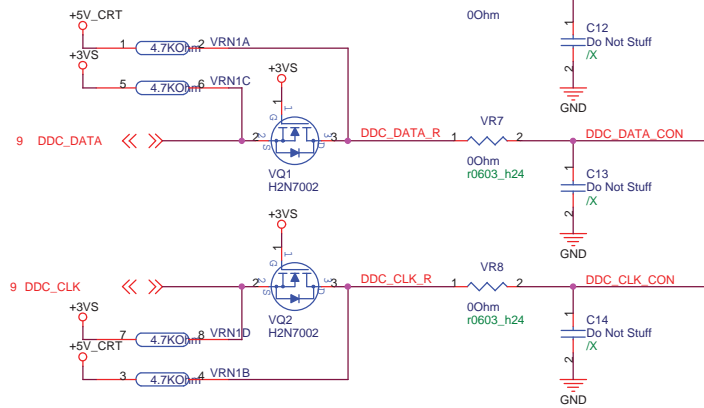
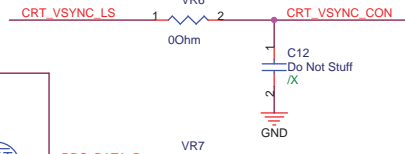
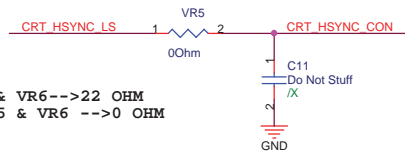
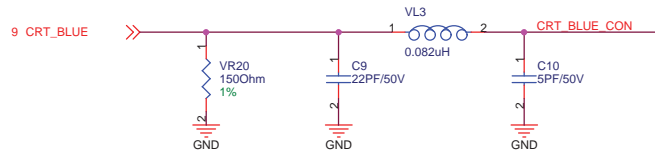
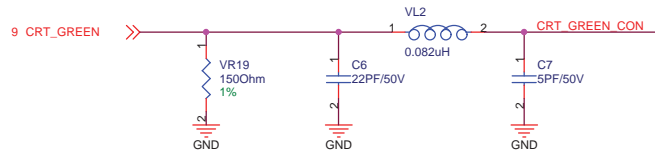
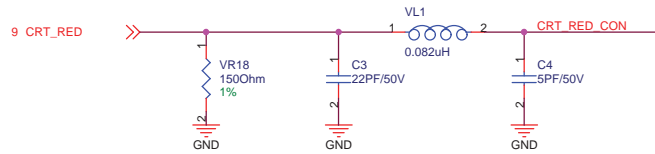


MA\_MA[13:0] 10,18  
 MA\_BA[2:0] 10,18

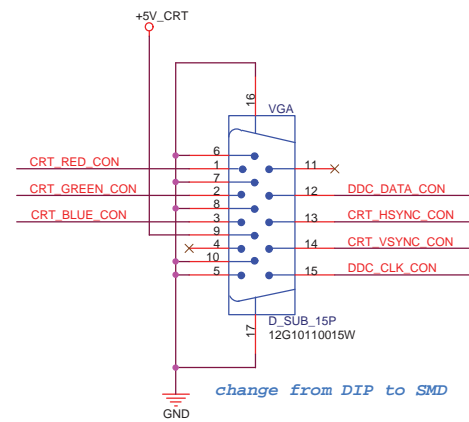


<http://hobi-elektronika.net>

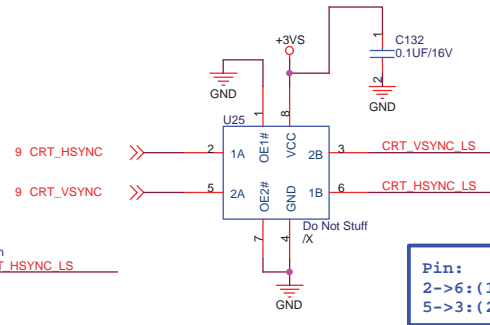
		<b>Title : DDR2_Termination</b>	
ASUSTek Computer INC.		Engineer: <i>Kell_Huang</i>	
Size A4	Project Name <b>P901</b>	Rev 1.00G	
Date: Monday, March 31, 2008		Sheet	19 of 47



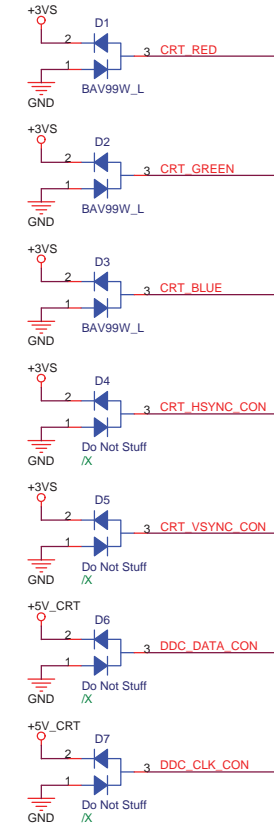
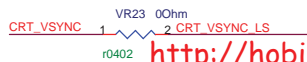
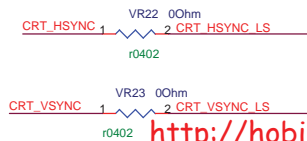
U25上:VR5 & VR6-->22 OHM  
U25 /X :VR5 & VR6 -->0 OHM



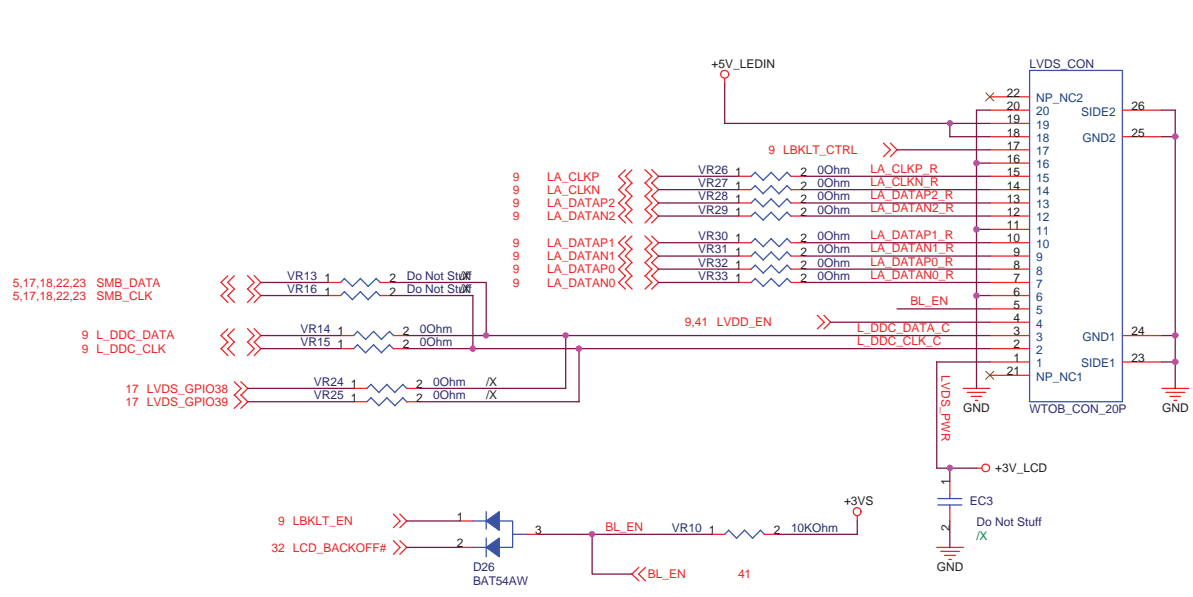
VGA use 12G10110015W & 12G10110015N



Pin:  
2->6: (1A->1B)  
5->3: (2A->2B)



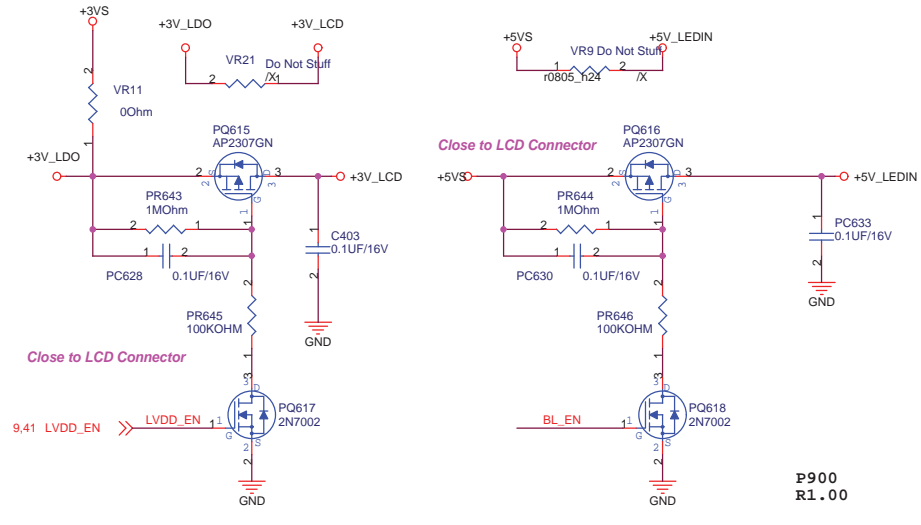
<b>ASUS</b>		<b>Title : Onboard VGA</b>	
ASUSTek Computer INC.		Engineer: <b>Kell Huang</b>	
Size A3	Project Name <b>P901</b>	Rev 1.00G	
Date: Monday, March 31, 2008		Sheet	20 of 47



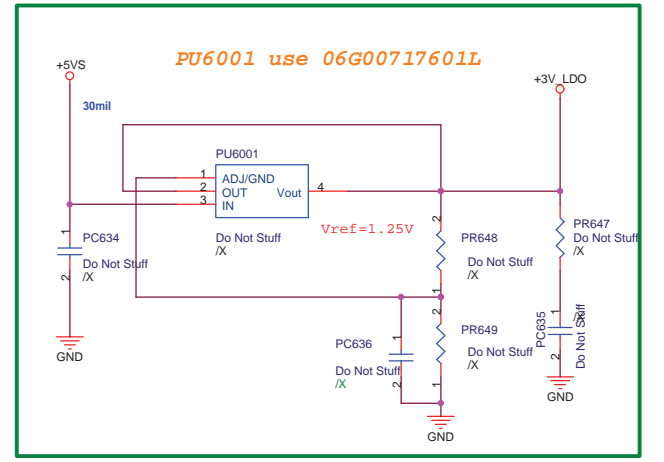
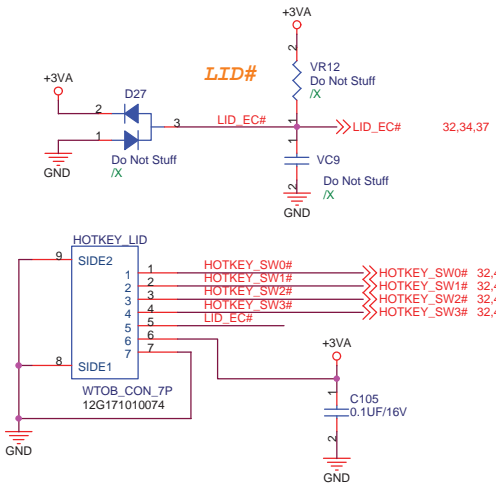
5,17,18,22,23 SMB\_DATA  
5,17,18,22,23 SMB\_CLK

9 L\_DDC\_DATA  
9 L\_DDC\_CLK

17 LVDS\_GPIO38  
17 LVDS\_GPIO39

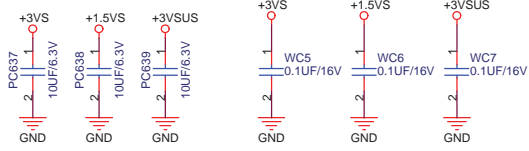
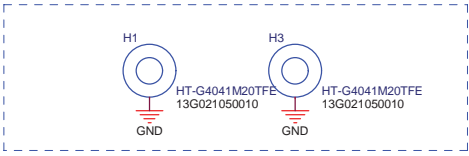
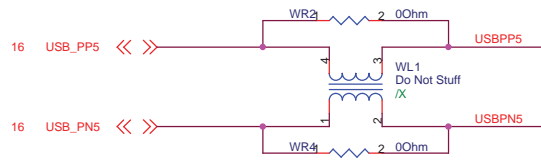


L_DDC_CLK_C	EC1	2	1	Do Not Stuff /X
L_DDC_DATA_C	EC2	2	1	Do Not Stuff /X
LA_CLKP_R	VC1	2	1	Do Not Stuff /X
LA_CLKN_R	VC2	2	1	Do Not Stuff /X
LA_DATAP2_R	VC3	2	1	Do Not Stuff /X
LA_DATAN2_R	VC4	2	1	Do Not Stuff /X
LA_DATAP1_R	VC5	2	1	Do Not Stuff /X
LA_DATAN1_R	VC6	2	1	Do Not Stuff /X
LA_DATAP0_R	VC7	2	1	Do Not Stuff /X
LA_DATAN0_R	VC8	2	1	Do Not Stuff /X



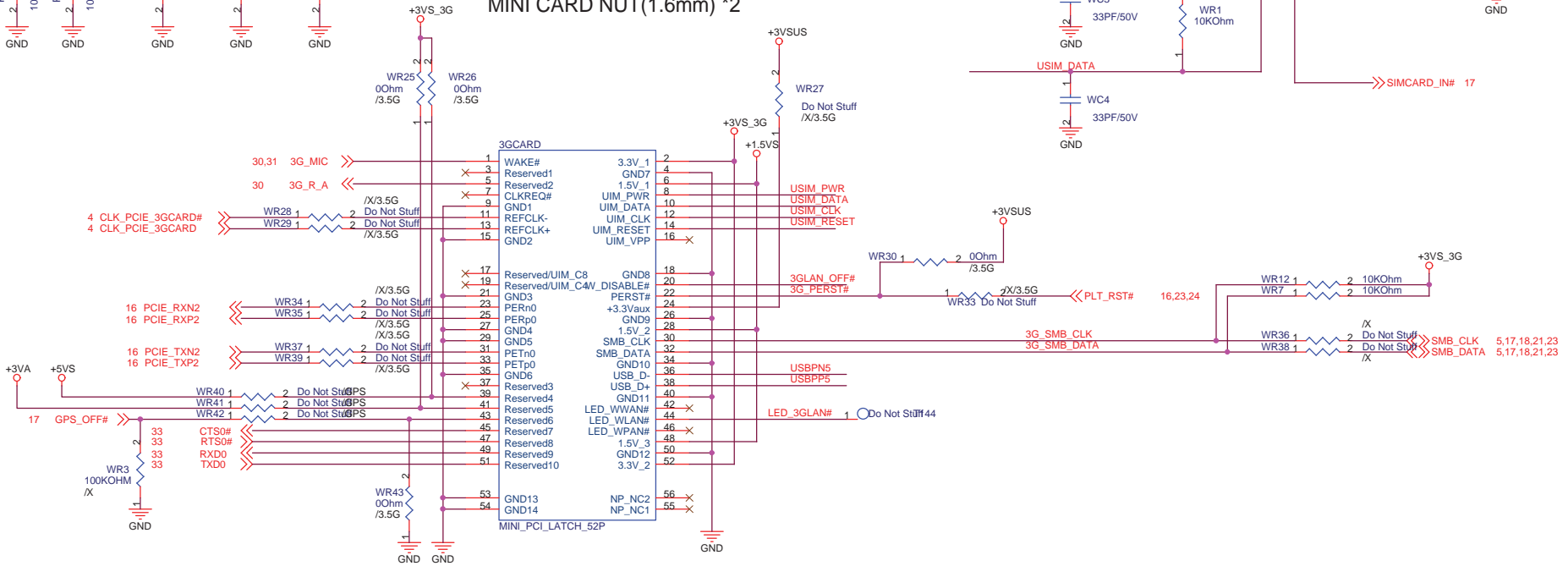
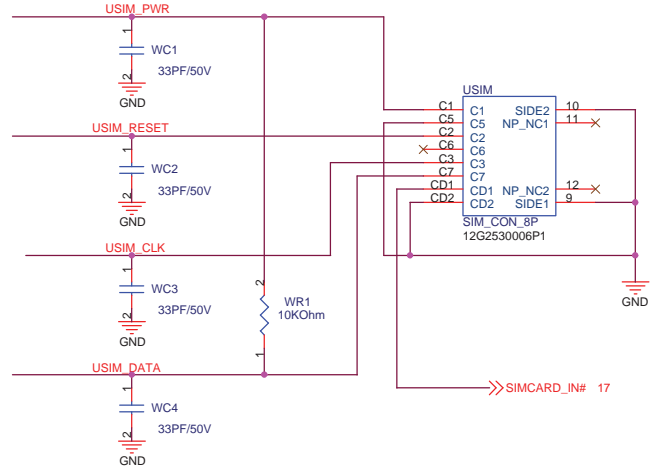
<http://hobi-elektronika.net>

<b>ASUS</b>		<b>Title : LVDS Conn_LID</b>	
ASUSTek Computer INC.		Engineer: <b>Kell Huang</b>	
Size	A3	Project Name	<b>P901</b>
Date:	Monday, March 31, 2008	Sheet	21 of 47
Rev	1.00G		



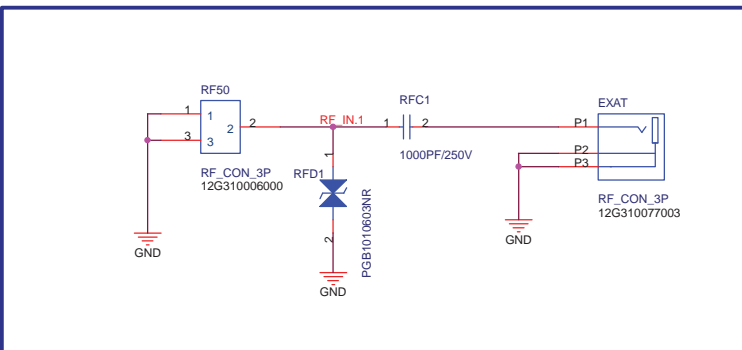
MINI CARD NUT(1.6mm) \*2

CAP Near SIM Socket

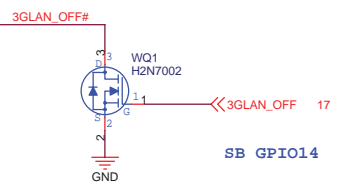
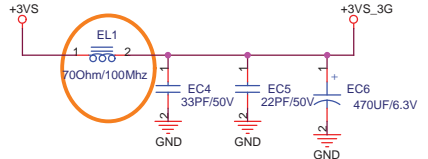


MINICARD use 12G03010052Q

External Antenna

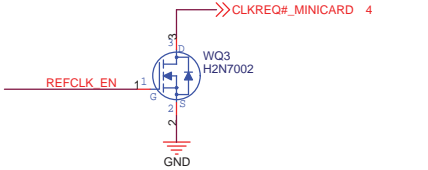
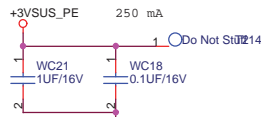
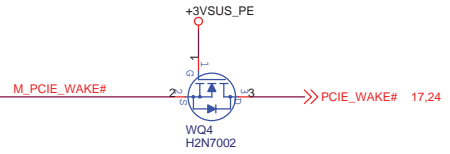
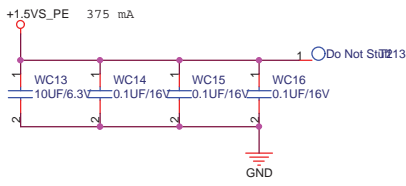
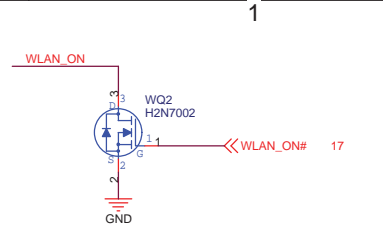
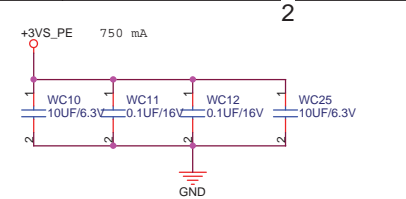
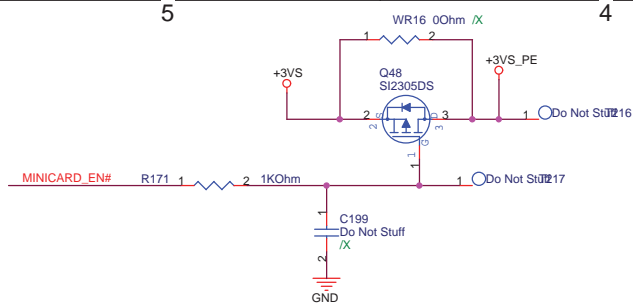


2008/03/11 change

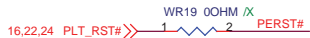
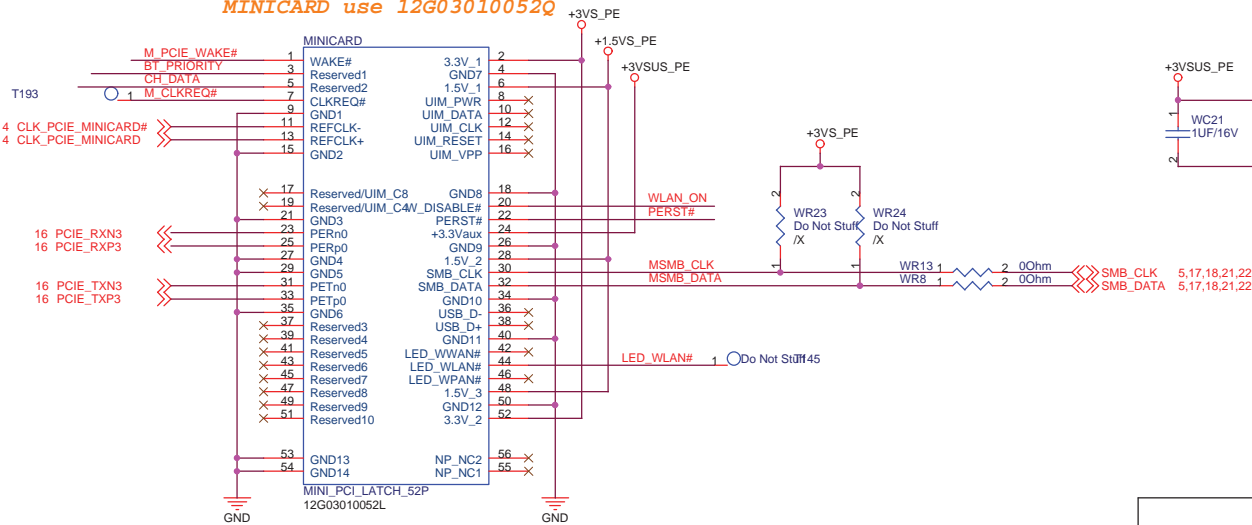


<http://hobi-elektronika.net>

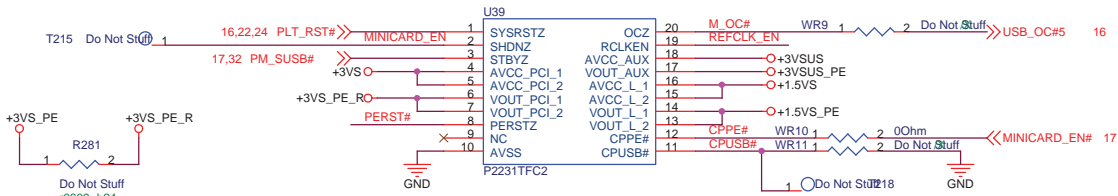
ASUS		Title : 3.5G Module & External Antenna	
ASUSTek Computer INC.		Engineer: Keli Huang	
Size A3	Project Name P901	Rev 1.00G	
Date: Monday, March 31, 2008	Sheet 22 of 47		



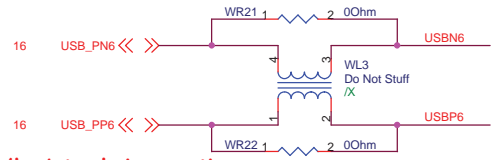
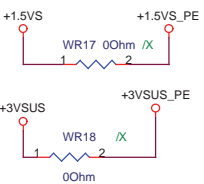
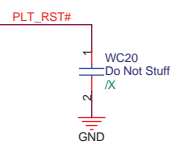
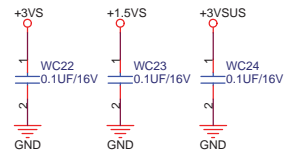
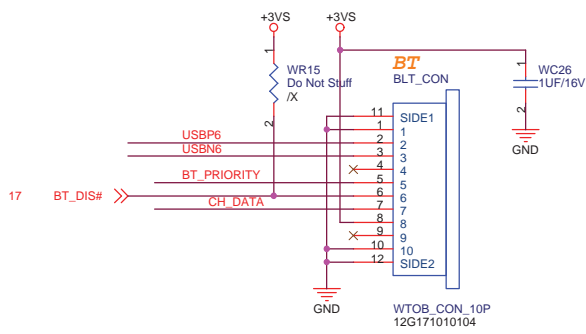
MINICARD use 12G03010052Q



U39 use 06G030057011

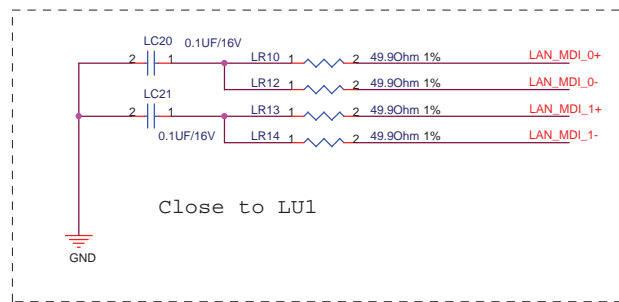
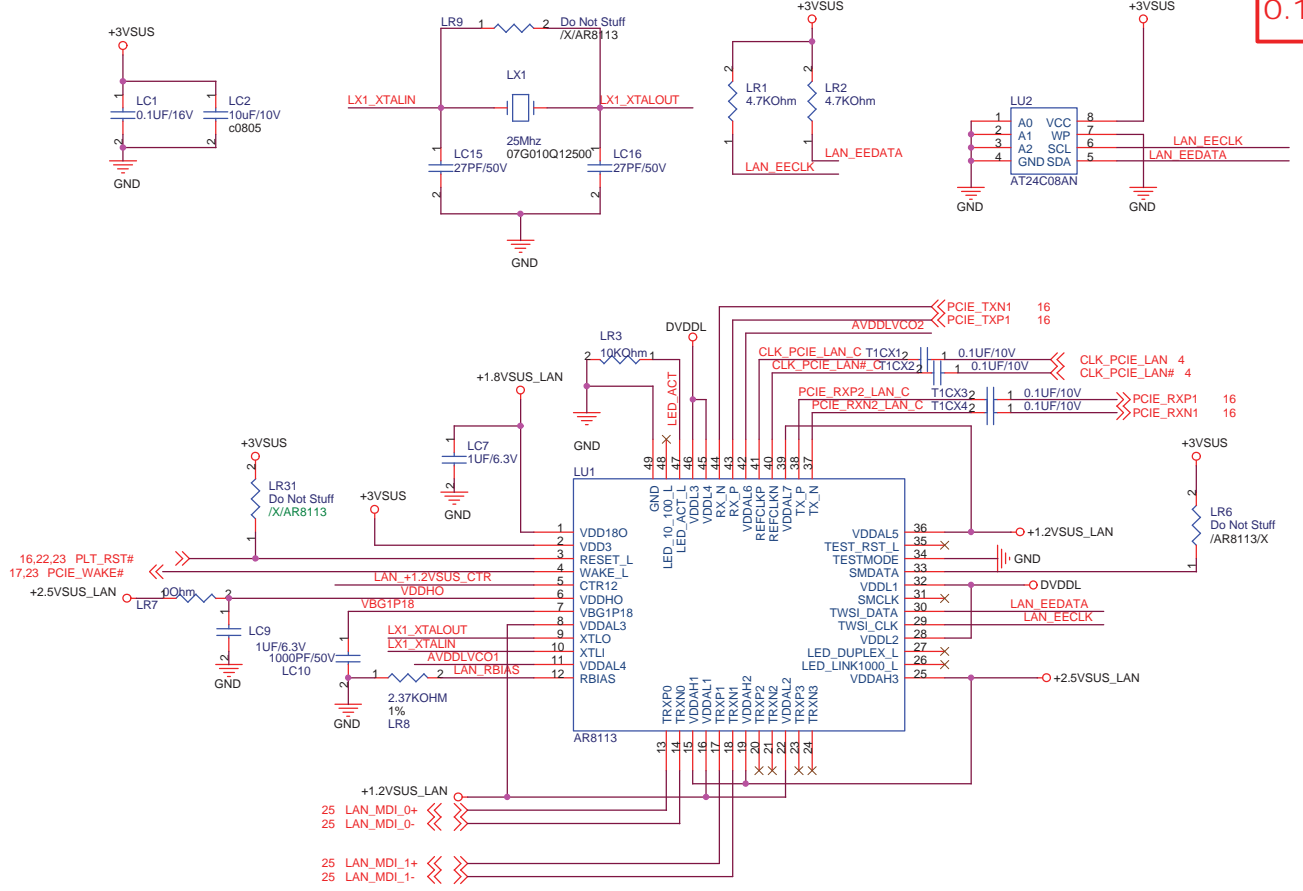
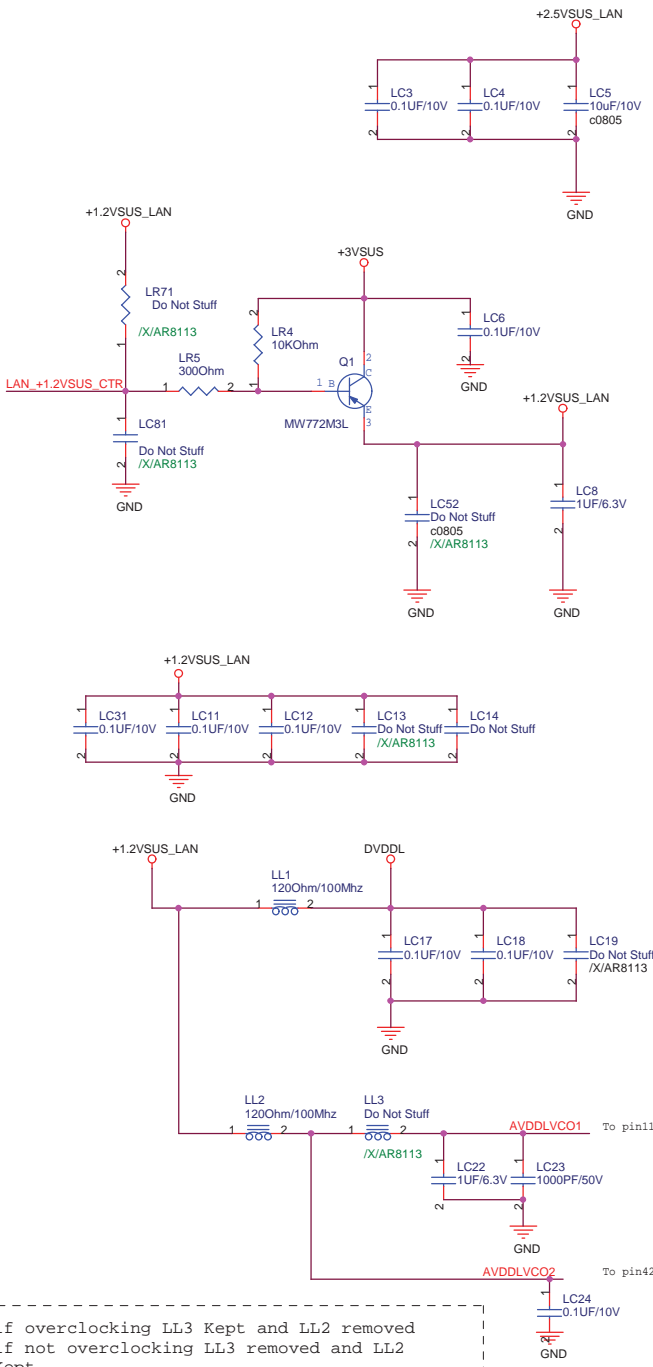


BlueTooth

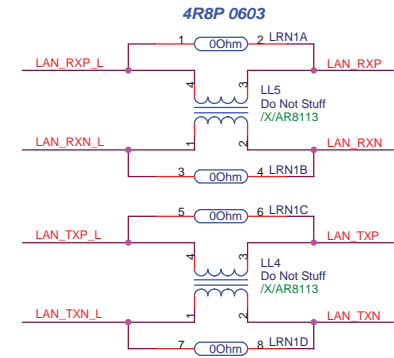
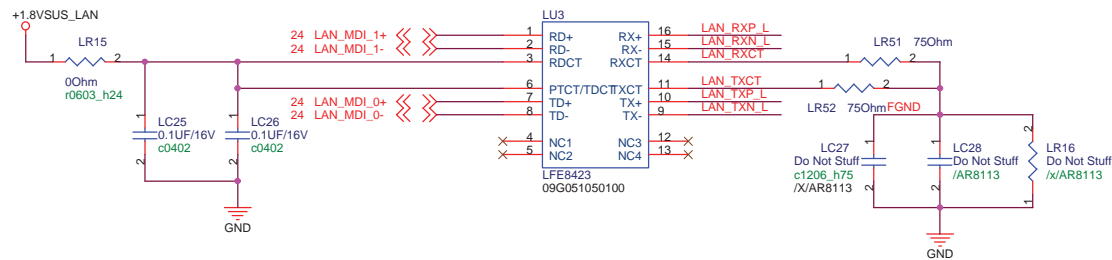


<http://hobi-elektronika.net>

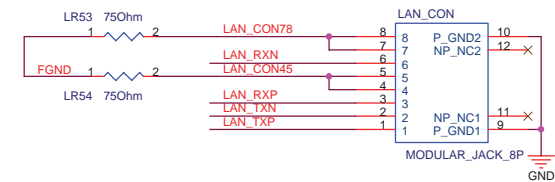
		Title : Minicard	
ASUSTek Computer INC.		Engineer: Tiansen_Wu	
Size A3	Project Name P901	Rev 1.00	
Date: Monday, March 31, 2008	Sheet 23 of 50		

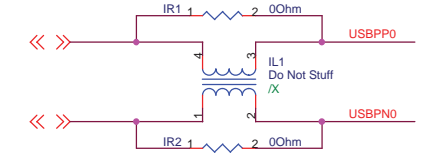
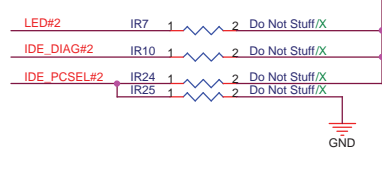
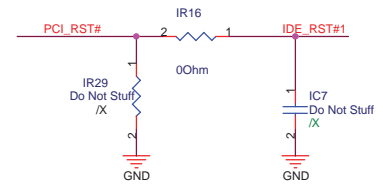
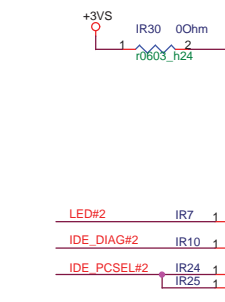
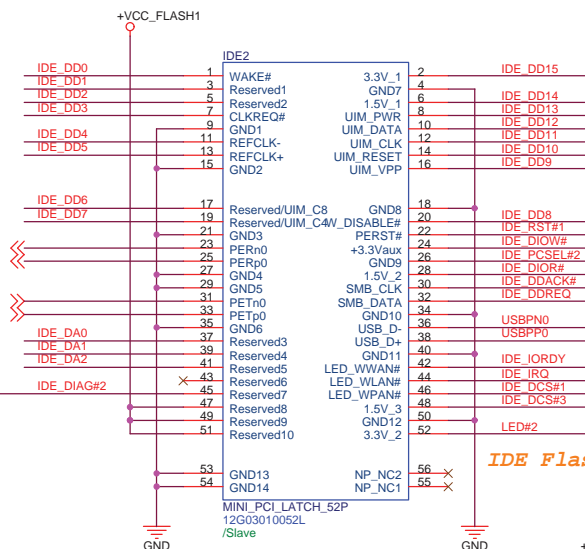
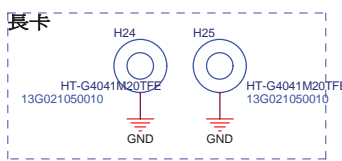
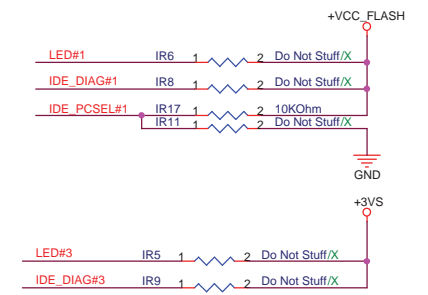
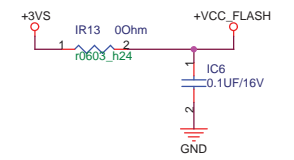
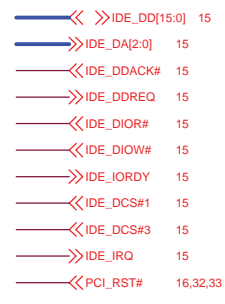
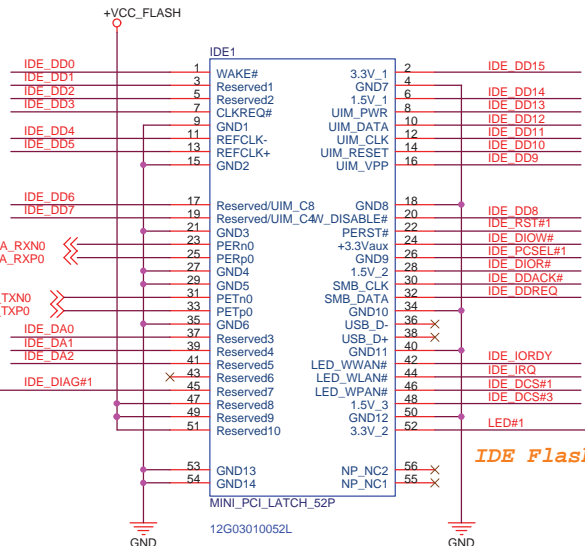
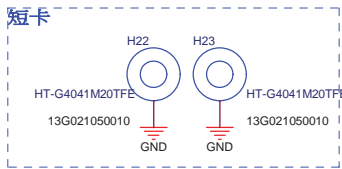




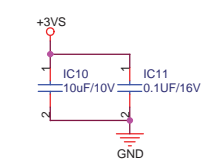
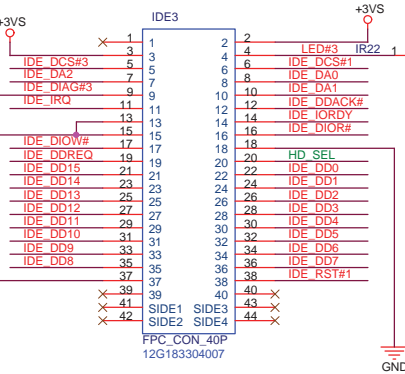
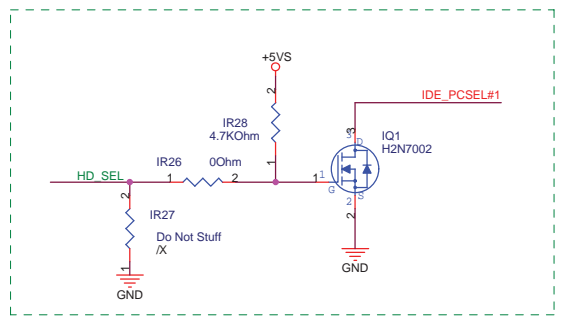


LAN connector: 12G148301086





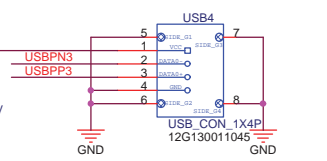
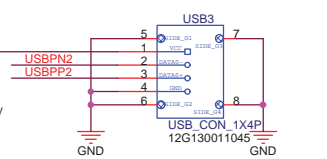
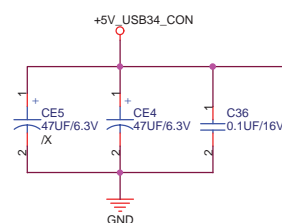
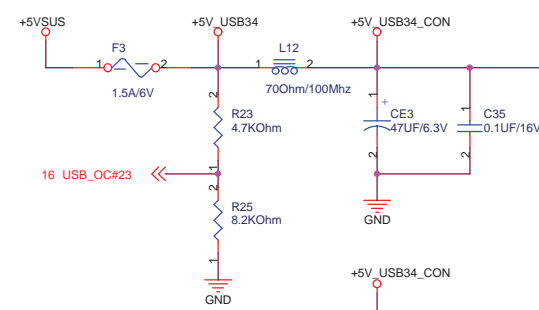
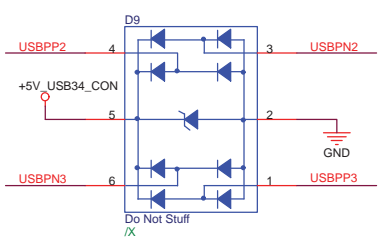
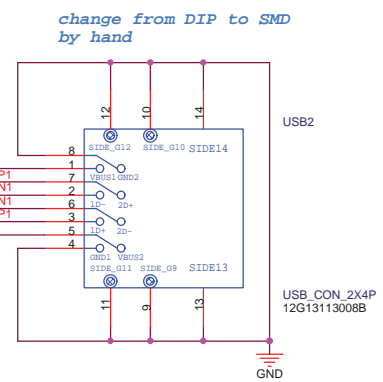
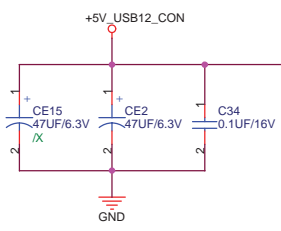
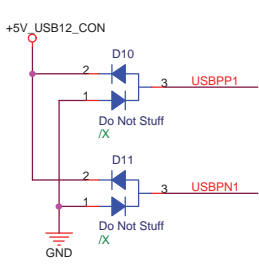
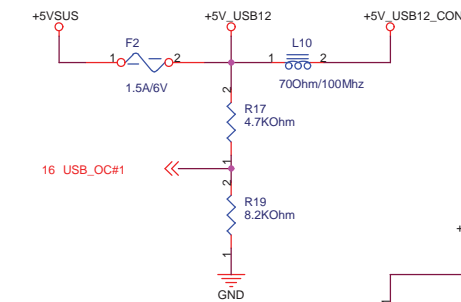
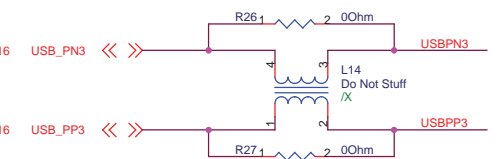
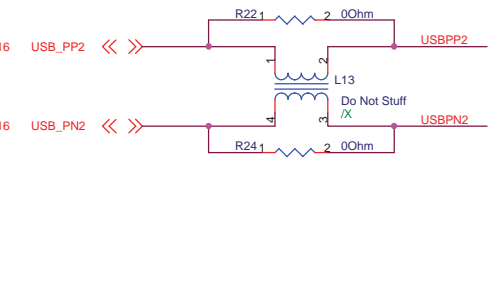
HD Master/Slave:  
 Master:Low  
 Slave :NC or High  
 Default :High



**Naming Rule:**  
 IC: IU?  
 R: IR?  
 C: IC?  
 L: IL?

<http://hobi-elektronika.net>

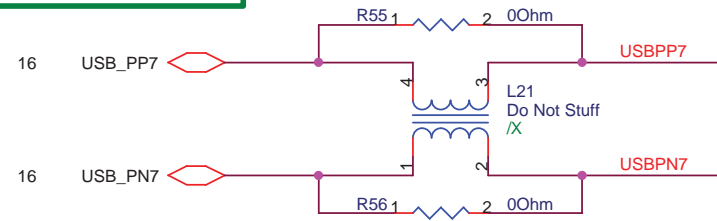
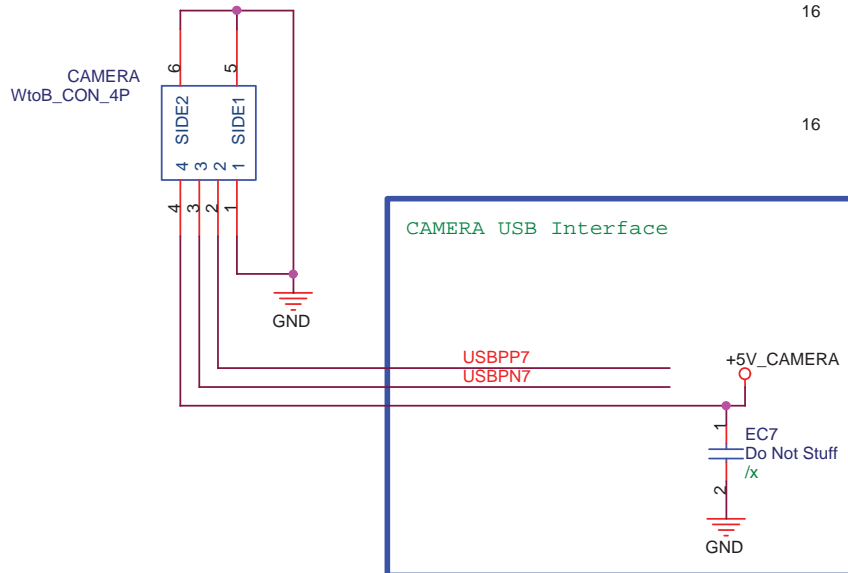
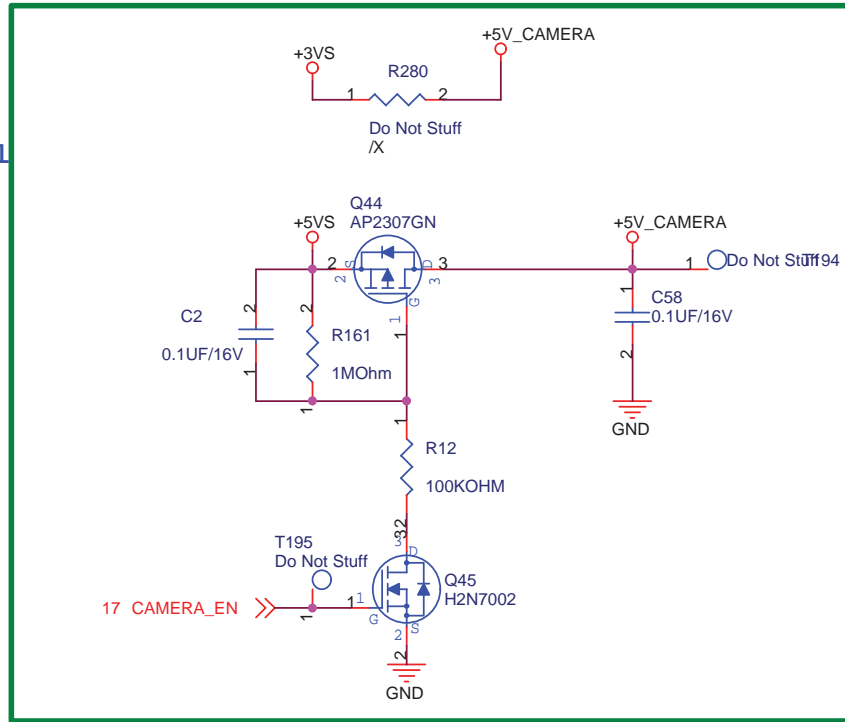
<b>ASUS</b>		<b>Title : HD + Flash Conn</b>	
ASUSTek Computer INC.		Engineer: <b>Kell Huang</b>	
Size A3	Project Name <b>P901</b>	Date Monday, March 31, 2008	Rev 1.00G
Sheet 26 of 47		Rev 1.00G	



<http://hobi-elektronika.net>

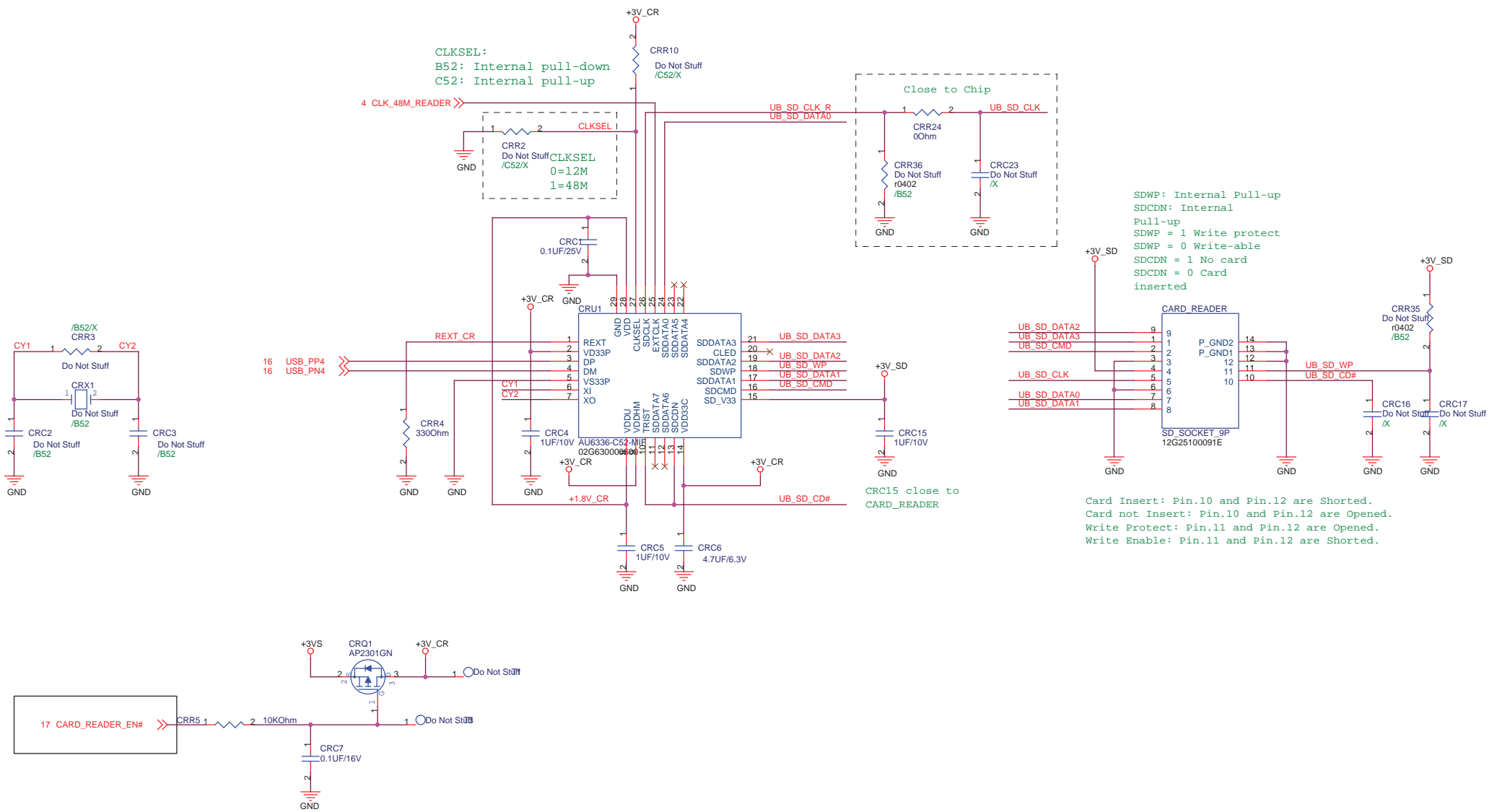
<b>ASUS</b>		<b>Title : USB Port</b>	
ASUSTek Computer INC.		Engineer: <i>Kell_Huang</i>	
Size A3	Project Name <b>P901</b>	Date: Monday, March 31, 2008	Rev 1.00G
		Sheet 27 of 47	

Power Control



<http://hobi-elektronika.net>

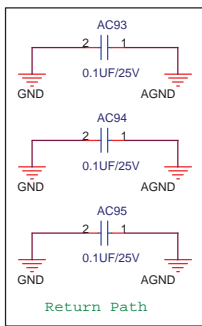
<b>ASUS</b>		<b>Title : Camera Power</b>	
ASUSTek Computer INC.		Engineer: <i>Kell_Huang</i>	
Size A4	Project Name <b>P901</b>	Rev 1.00G	
Date: Monday, March 31, 2008		Sheet 28 of 47	



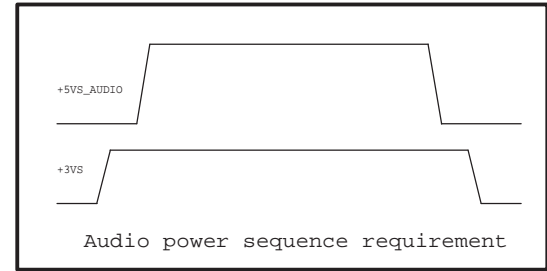
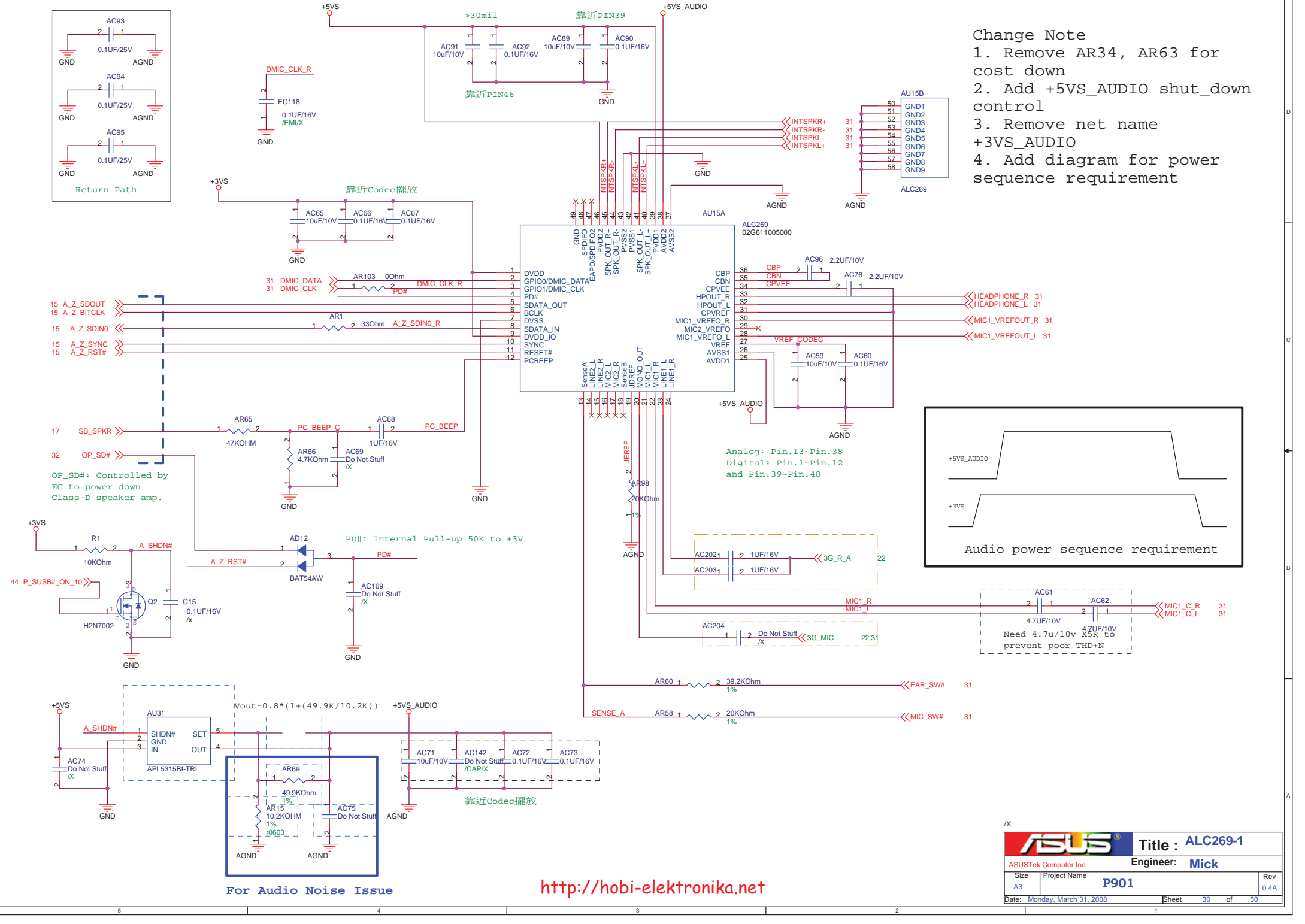
CLKSEL:  
 B52: Internal pull-down  
 C52: Internal pull-up

SDWP: Internal Pull-up  
 SDCDN: Internal  
 Pull-up  
 SDWP = 1 Write protect  
 SDWP = 0 Write-able  
 SDCDN = 1 No card  
 SDCDN = 0 Card inserted

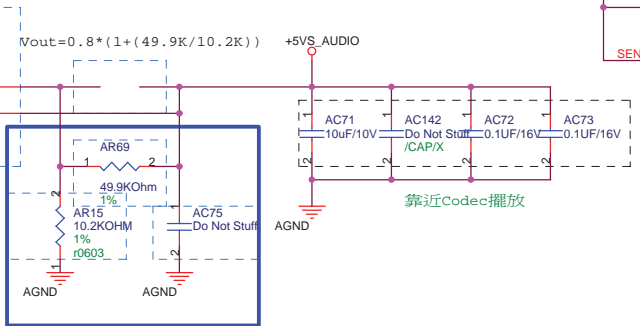
Card Insert: Pin.10 and Pin.12 are Shorted.  
 Card not Insert: Pin.10 and Pin.12 are Opened.  
 Write Protect: Pin.11 and Pin.12 are Opened.  
 Write Enable: Pin.11 and Pin.12 are Shorted.



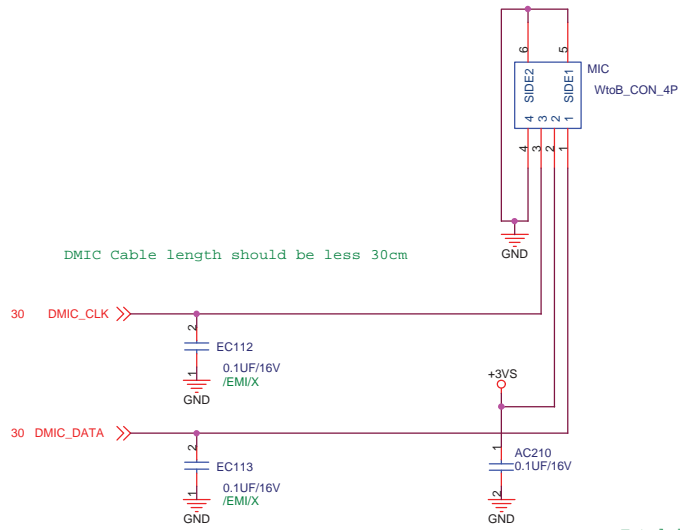
- Change Note
1. Remove AR34, AR63 for cost down
  2. Add +5VS\_AUDIO shut\_down control
  3. Remove net name +3VS\_AUDIO
  4. Add diagram for power sequence requirement



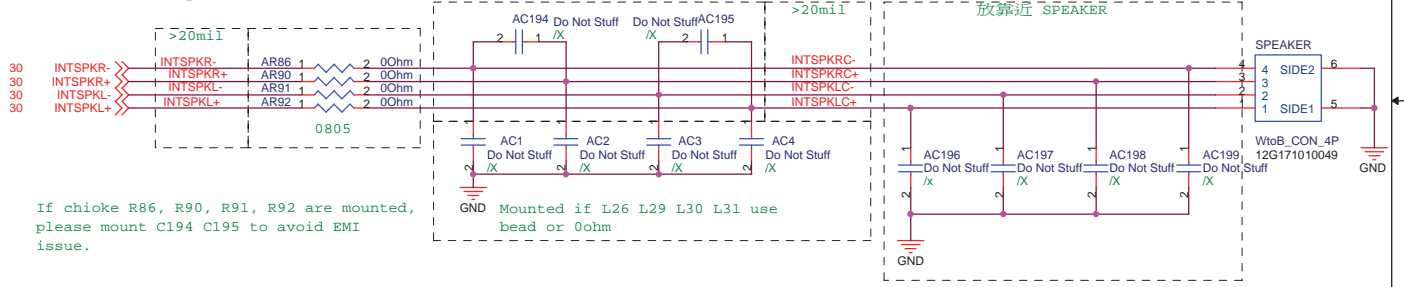
Need 4.7u/10v X5R to prevent poor THD+N



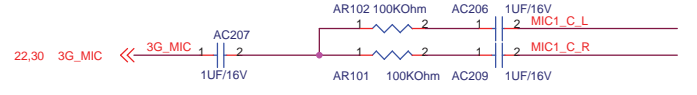
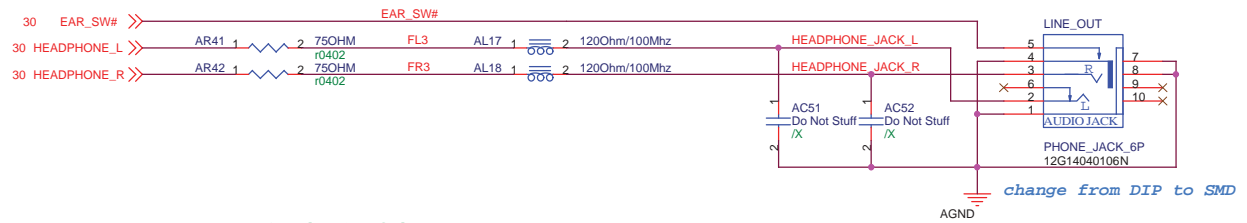
<http://hobi-elektronika.net>



Total length from speakerR+- L+- (pin40 41 44 45) to internal speaker please as short as possible (<20cm is better)

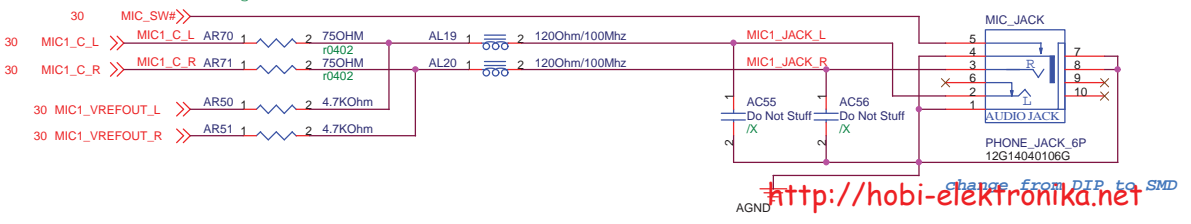


**LINE\_OUT use 12G14040106N**



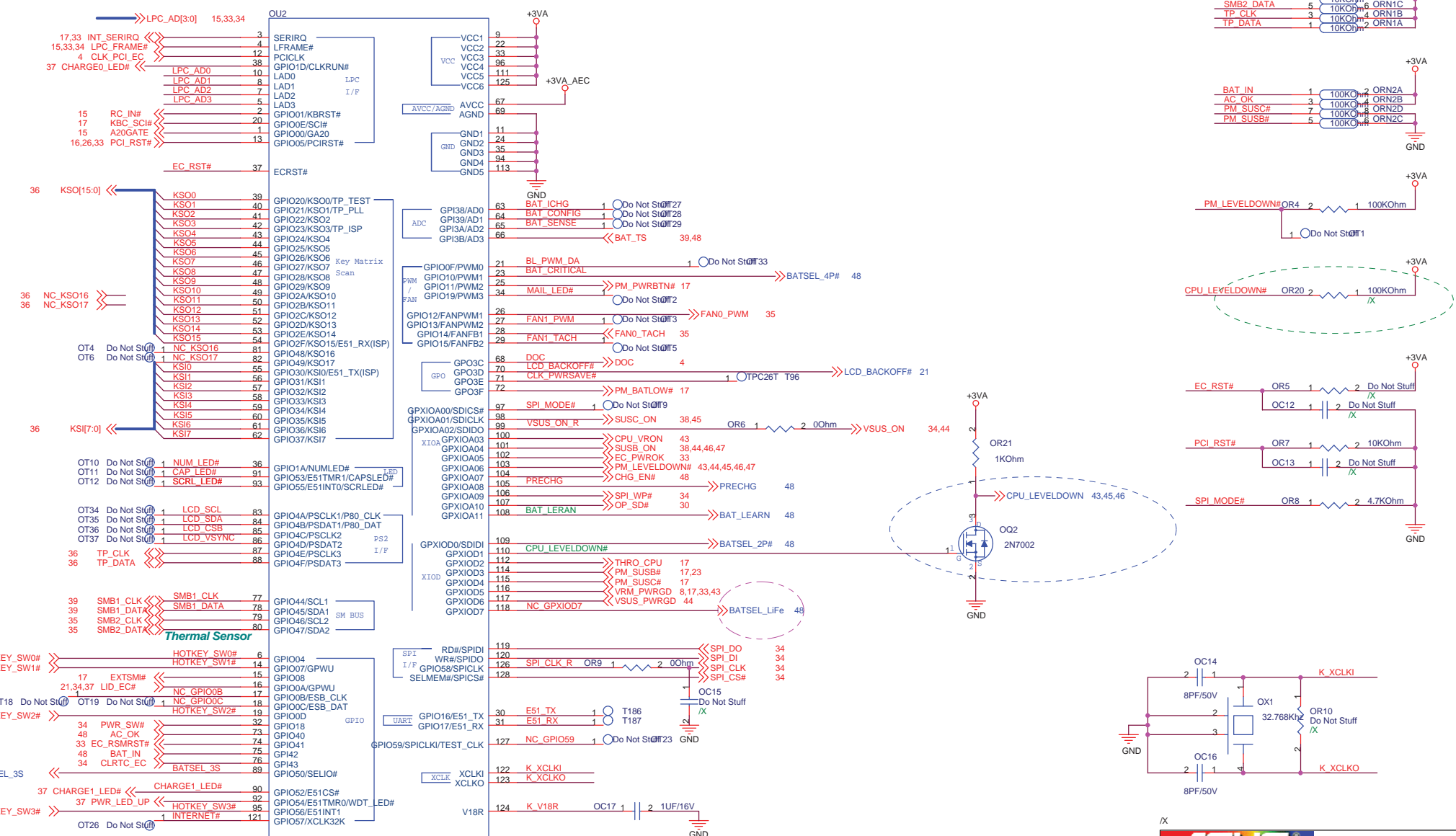
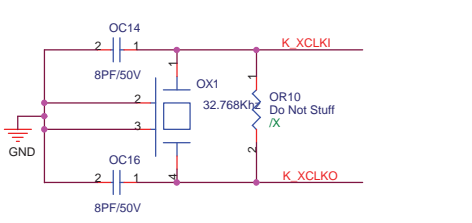
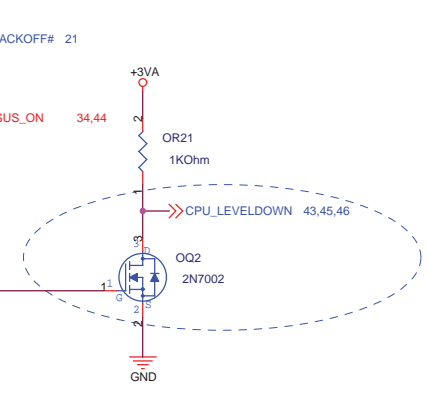
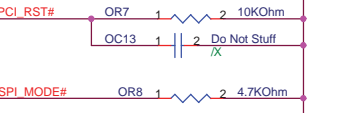
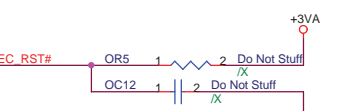
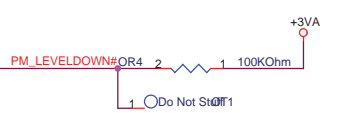
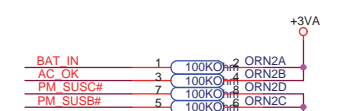
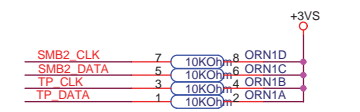
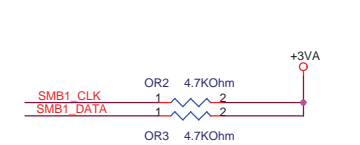
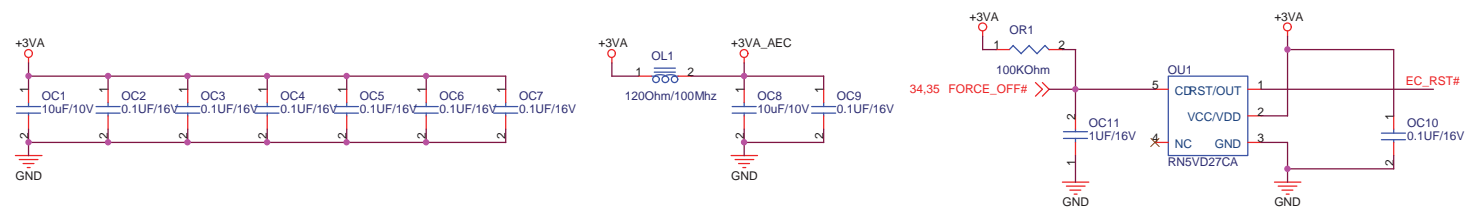
R70 and R71: If don't need retasking function, change to 1K.

**MIC\_JACK use 12G14040106G**



<http://hobi-elektronika.net>

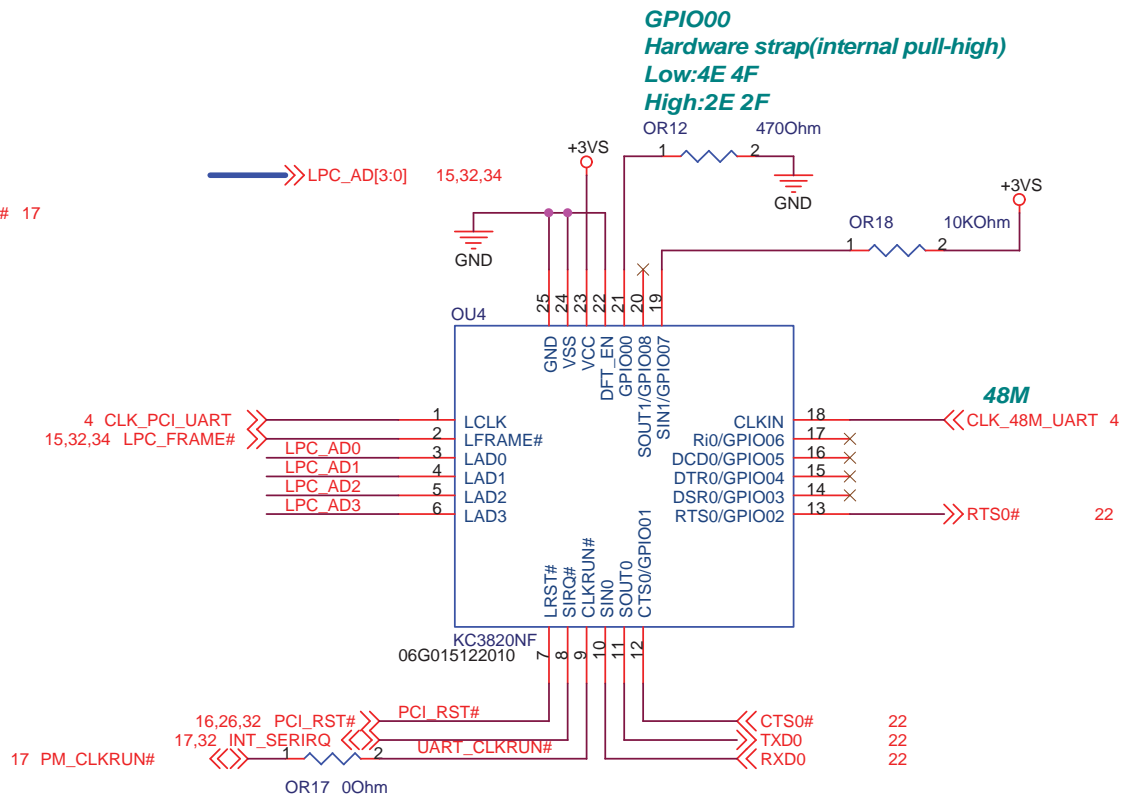
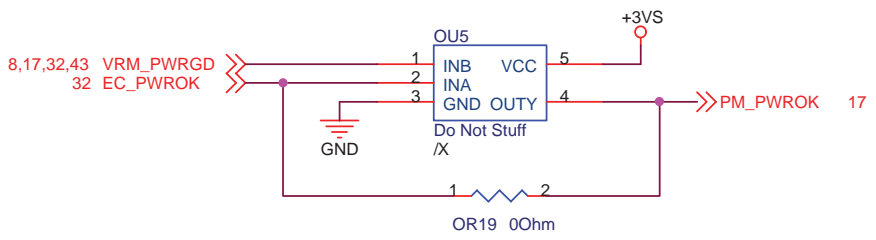
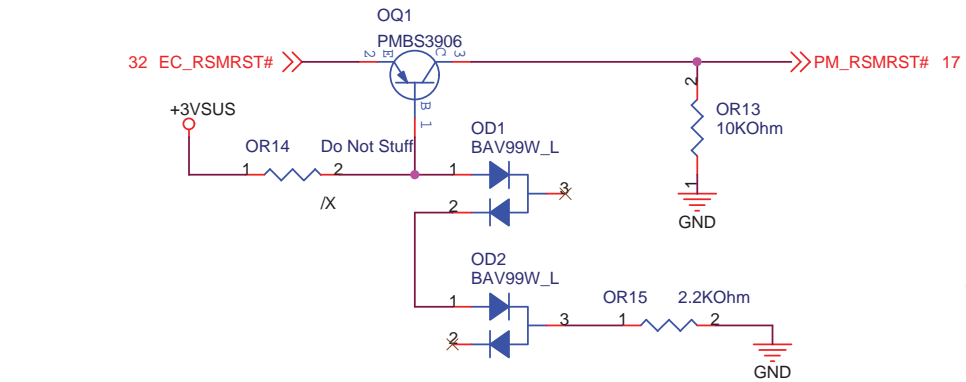
<b>ASUS</b>		<b>Title : ALC269-2</b>	
ASUSTek Computer Inc.		Engineer: MICK	
Size A3	Project Name <b>P901</b>	Rev 0.4A	
Date: Monday, March 31, 2008	Sheet	31	of 50



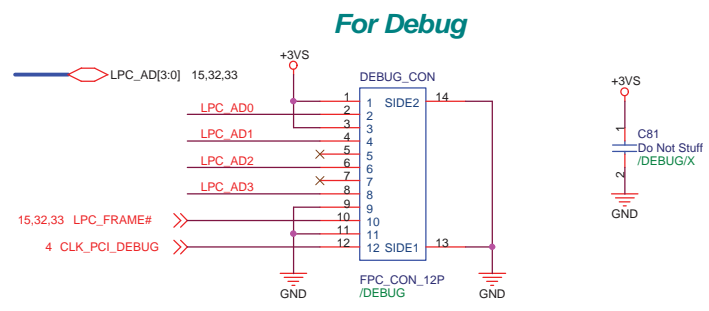
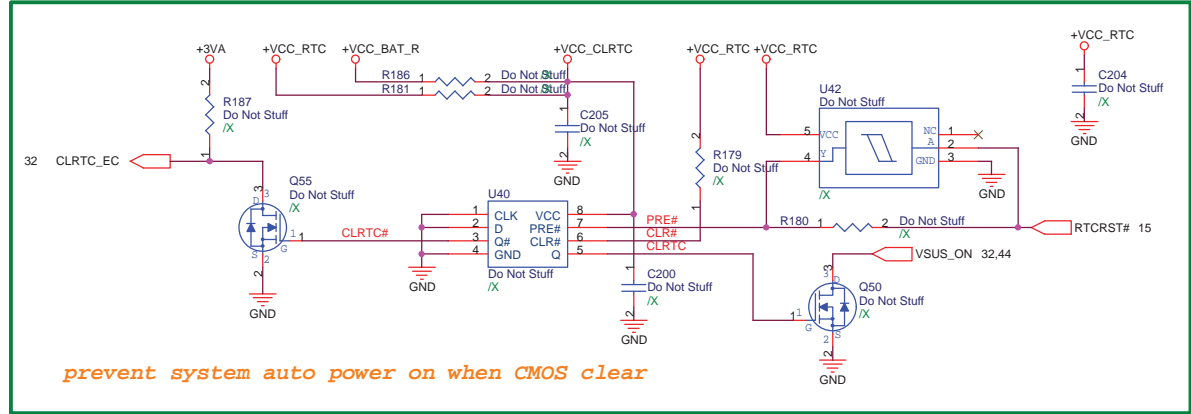
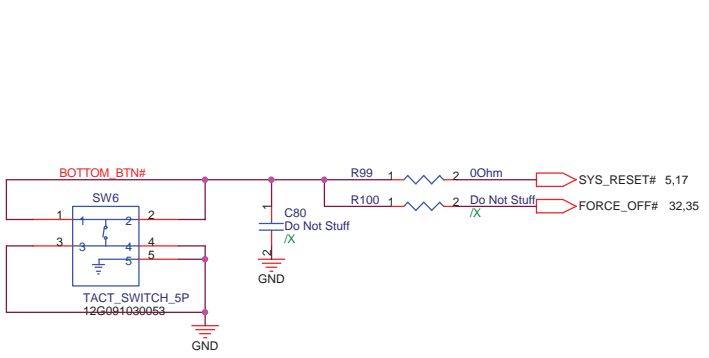
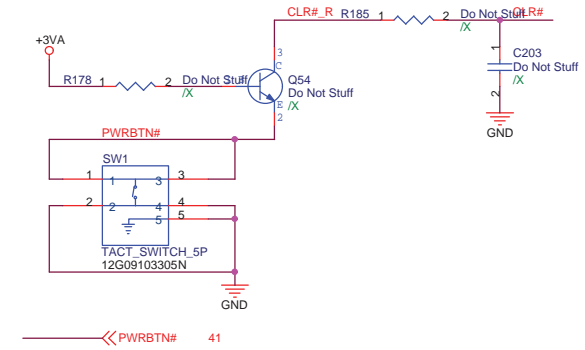
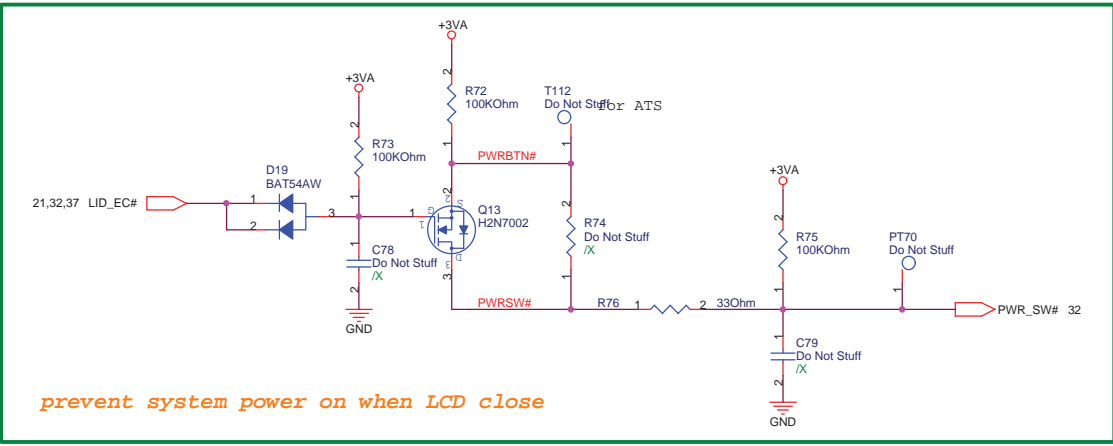
<b>ASUS</b>			<b>Title : EC_ENE KB3310</b>		
ASUSTek Computer INC.			Engineer: <i>Keil_Huang</i>		
Size	Project Name		Rev		1.4G
A3	<b>P901</b>				
Date:	Monday, March 31, 2008	Sheet	32	of	50

<http://hobi-elektronika.net>

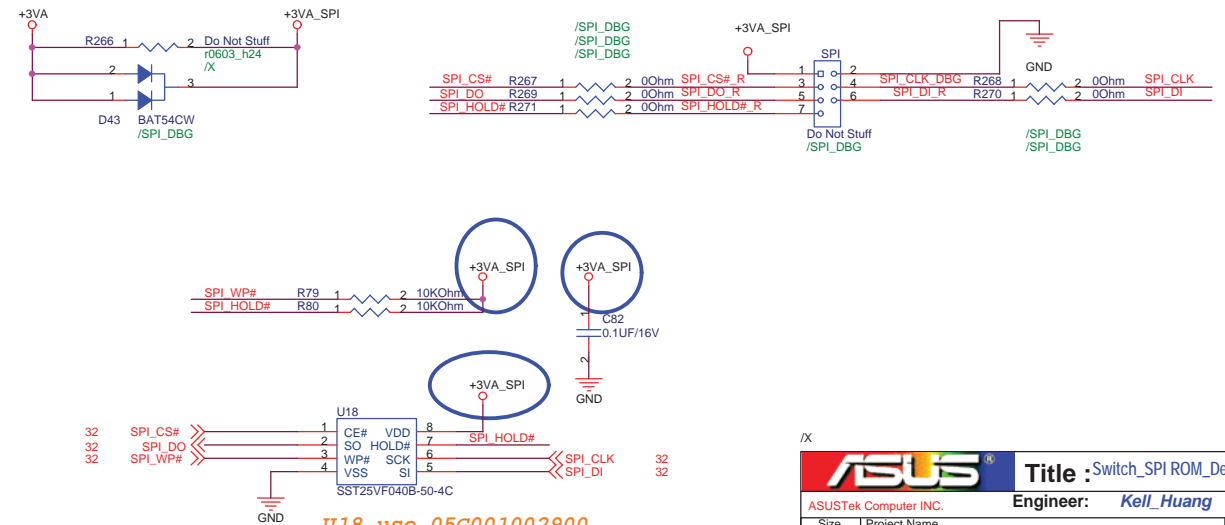




UART Control IC for using GPS module due to no UART on ENE EC



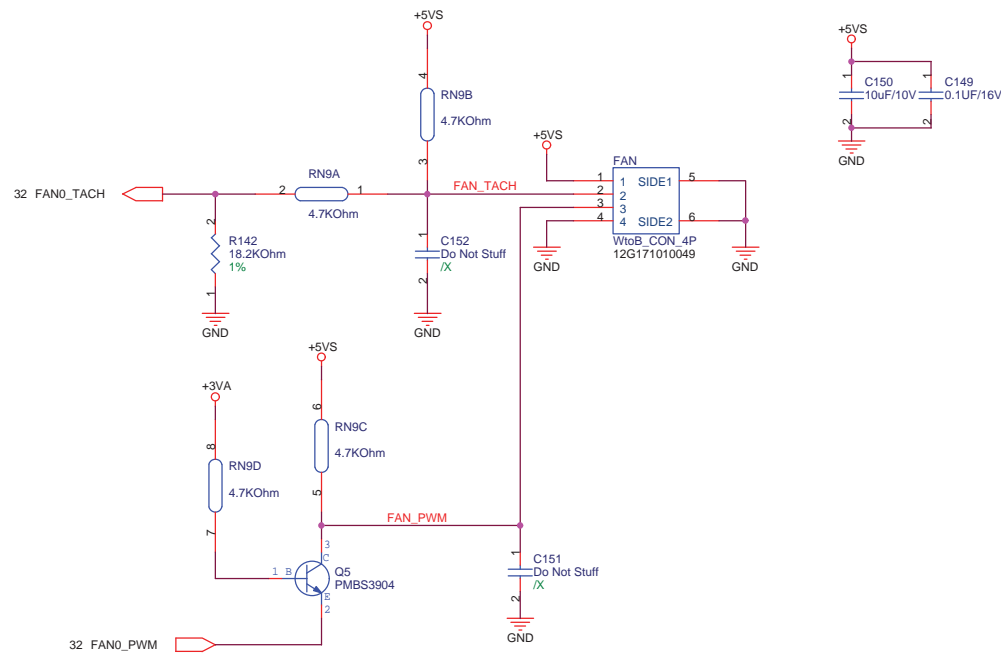
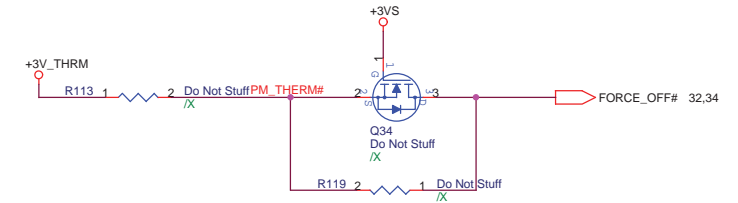
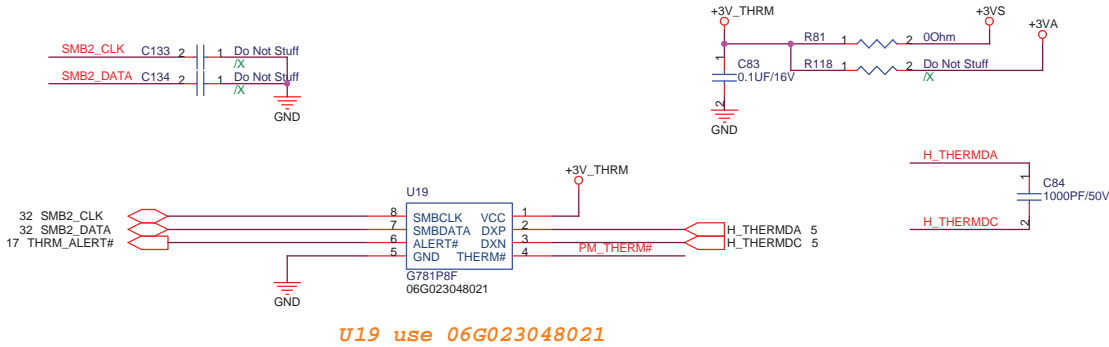
Debug Card cable use Z96 Touch Pad cable, P/N:  
 14G124110126, 14G124110120, 14G124110121  
 14G124110124, 14G124110125



*U18 use 05G001002900  
 05G00100F130*

<http://hobi-elektronika.com>

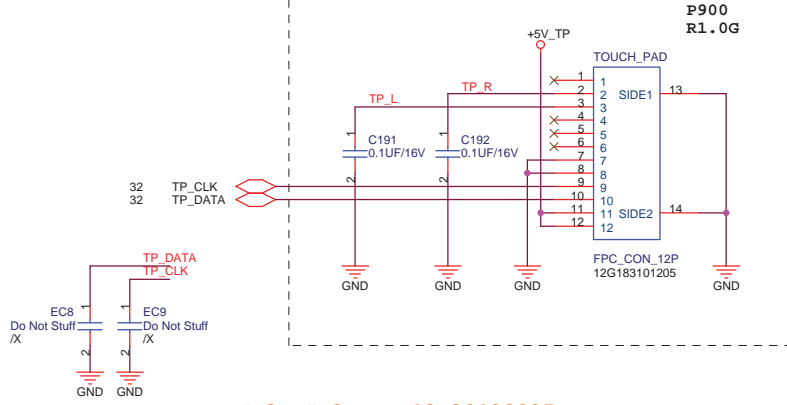
		Title : Switch_SPI ROM_Debug	
		ASUSTek Computer INC.	Engineer: Keli Huang
Size	Project Name		Rev
A3	P901		1.00G
Date: Monday, March 31, 2008	Sheet	34 of 47	



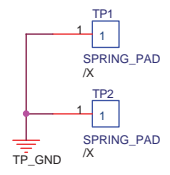
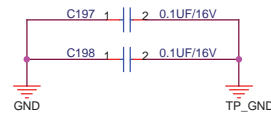
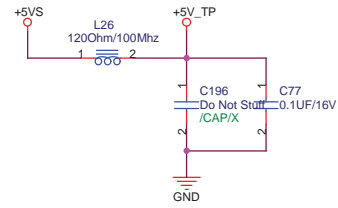
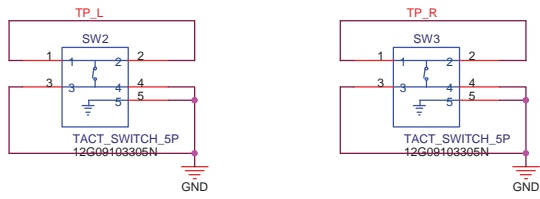
<b>ASUS</b>		Title : Thermal Sensor_FAN	
ASUSTek Computer INC.		Engineer: Keli_Huang	
Size	Project Name	Rev	
A3	P901	1,00G	
Date: Monday, March 31, 2008	Sheet	35 of 47	

<http://hobi-elektronika.net>

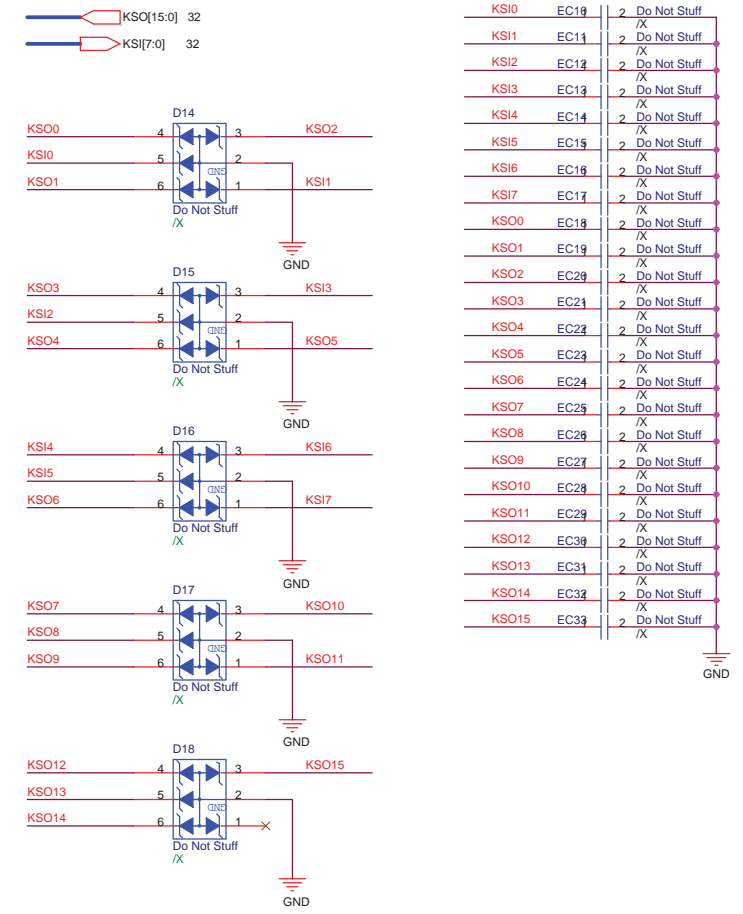
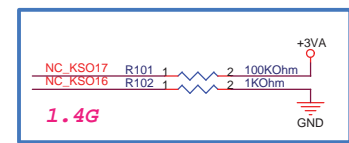
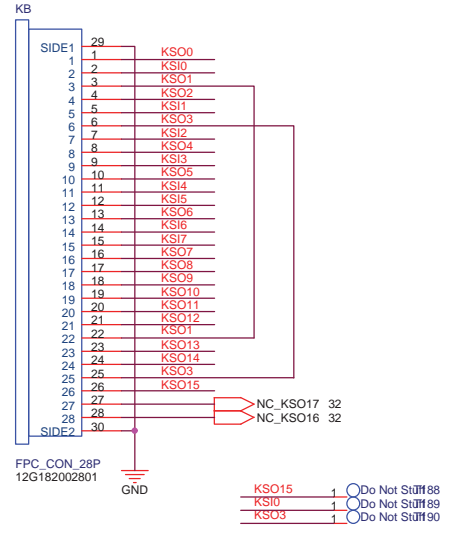
### For Touch-Pad



SW2, SW3 use 12G09103305N

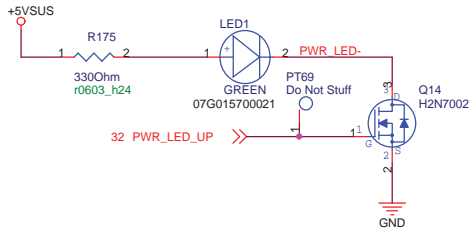


### For Keyboard Connector

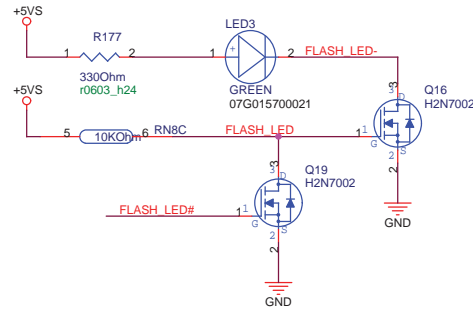


KSI0	EC19	2	Do Not Stuff
KSI1	EC11	2	Do Not Stuff
KSI2	EC13	2	Do Not Stuff
KSI3	EC14	2	Do Not Stuff
KSI4	EC14	2	Do Not Stuff
KSI5	EC15	2	Do Not Stuff
KSI6	EC16	2	Do Not Stuff
KSI7	EC17	2	Do Not Stuff
KSO0	EC19	2	Do Not Stuff
KSO1	EC19	2	Do Not Stuff
KSO2	EC20	2	Do Not Stuff
KSO3	EC21	2	Do Not Stuff
KSO4	EC22	2	Do Not Stuff
KSO5	EC23	2	Do Not Stuff
KSO6	EC24	2	Do Not Stuff
KSO7	EC25	2	Do Not Stuff
KSO8	EC26	2	Do Not Stuff
KSO9	EC27	2	Do Not Stuff
KSO10	EC28	2	Do Not Stuff
KSO11	EC29	2	Do Not Stuff
KSO12	EC30	2	Do Not Stuff
KSO13	EC31	2	Do Not Stuff
KSO14	EC32	2	Do Not Stuff
KSO15	EC33	2	Do Not Stuff

for POWER LED

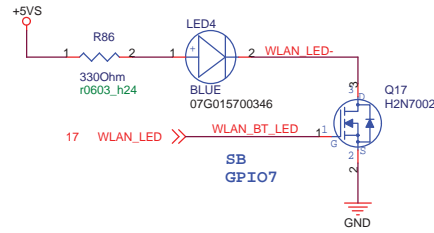


for FLASH LED

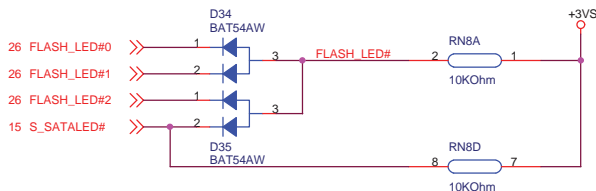
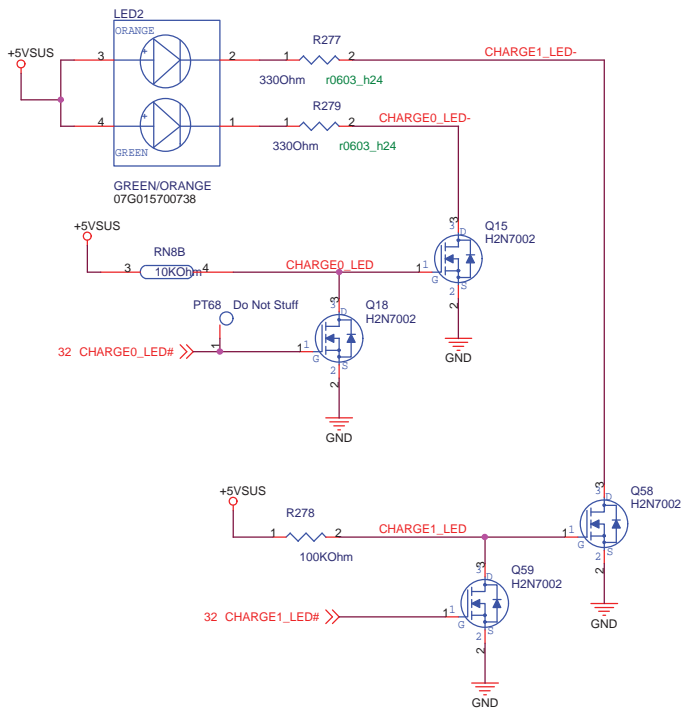


for WLAN/BlueTooth LED

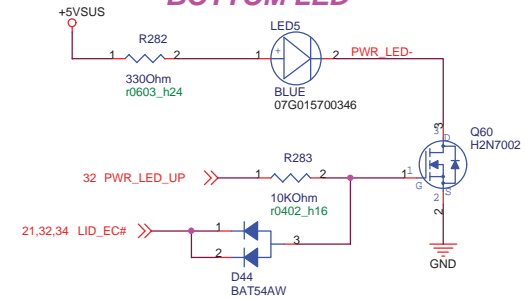
R86 use 4.7K OHm 10G213472003030



for CHARGE LED

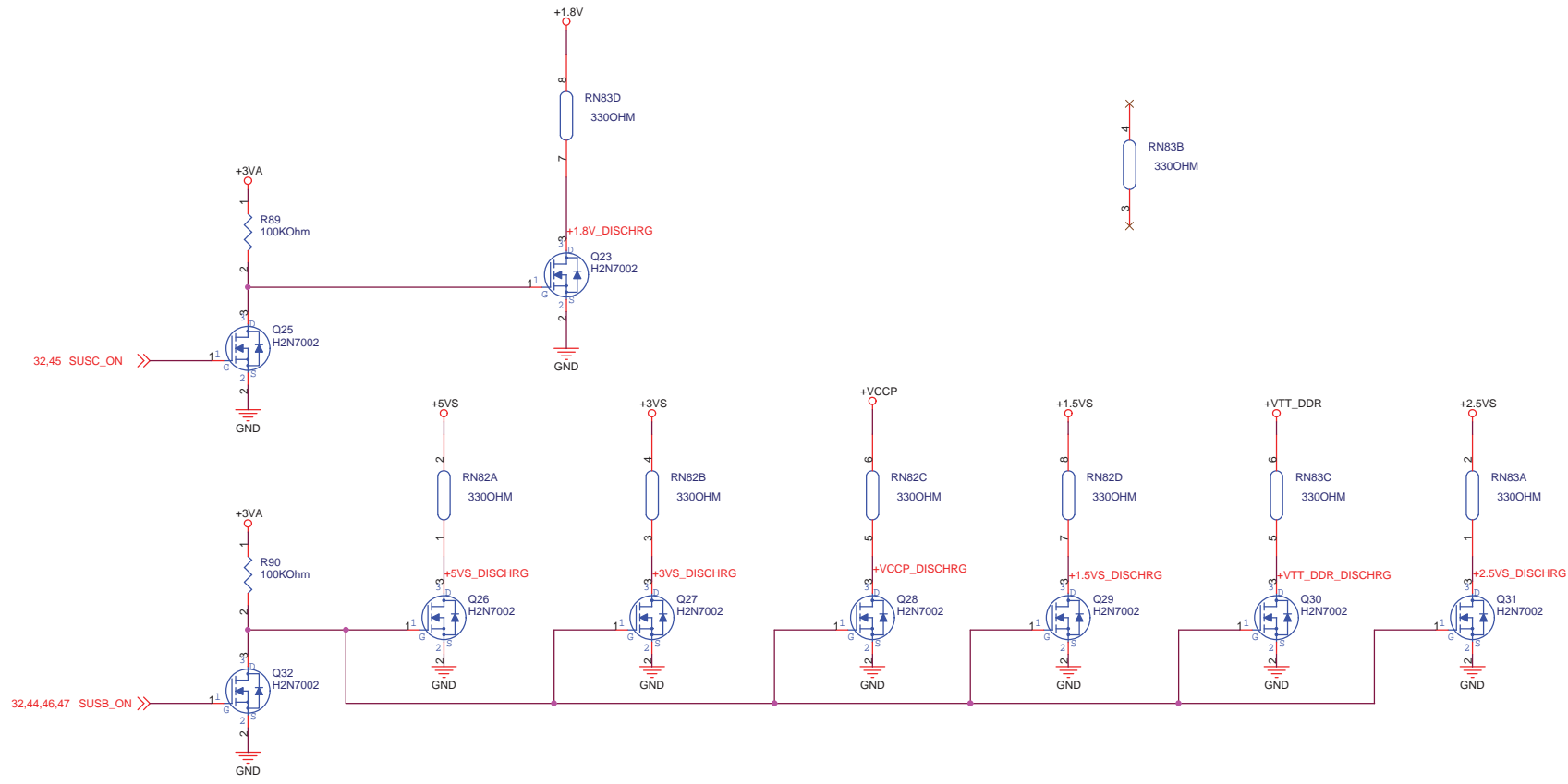


for POWER BOTTOM LED



<http://hobi-elektronika.net>

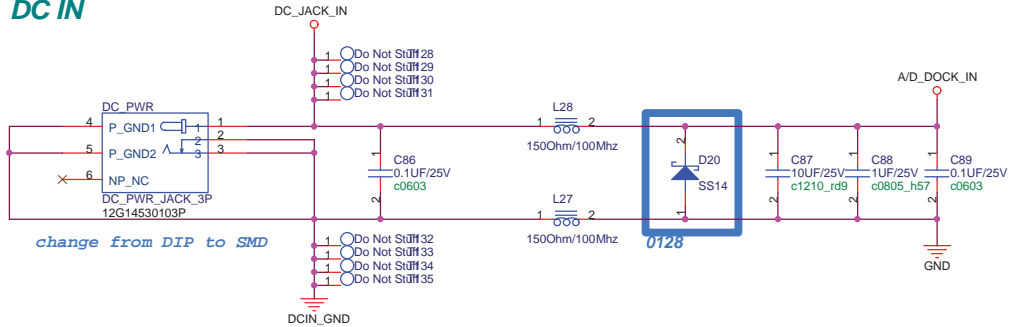
<b>ASUS</b>		<b>Title : LED</b>	
ASUSTek Computer INC.		Engineer: <i>Kell_Huang</i>	
Size	Project Name	Date	Rev
A3	<b>P901</b>	Monday, March 31, 2008	1.00G
Date: Monday, March 31, 2008		Sheet	37 of 47



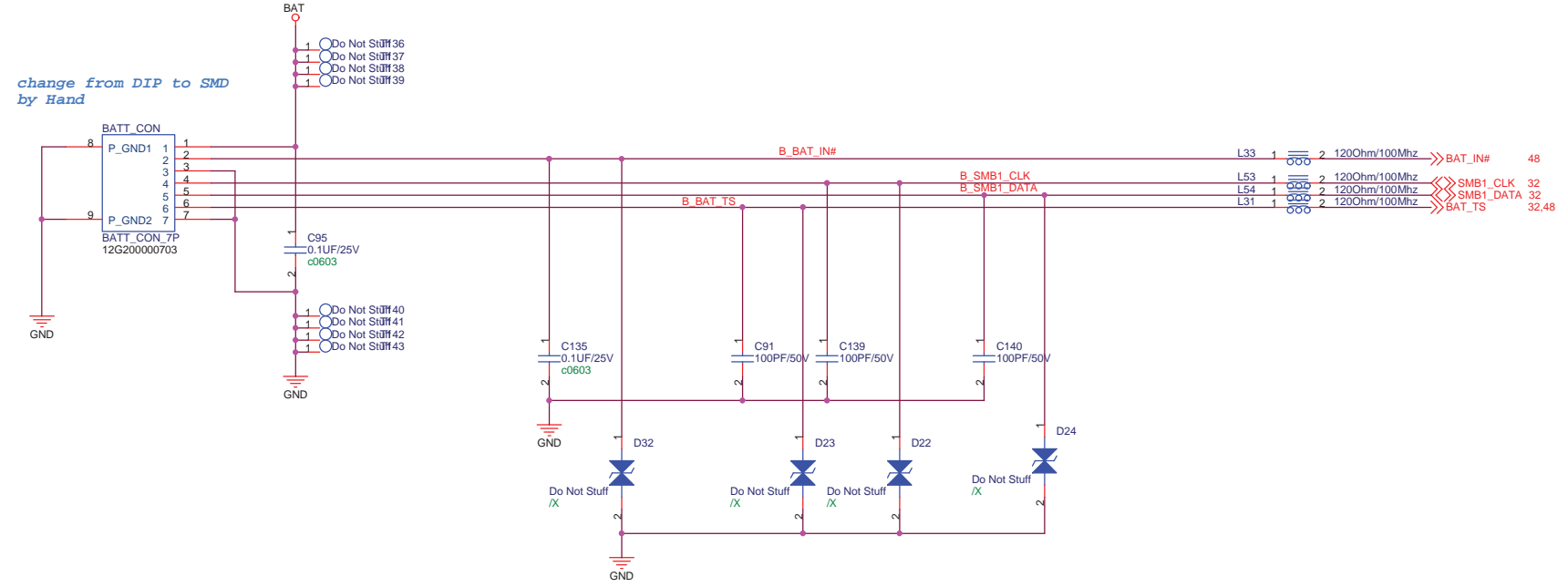
<http://hobi-elektronika.net>

<b>ASUS</b>		<b>Title : Discharge</b>	
ASUSTek Computer INC.		Engineer: <i>Kell_Huang</i>	
Size	Project Name	Rev	
A3	<b>P901</b>	1.00G	
Date: Monday, March 31, 2008		Sheet	38 of 47

**DC IN**

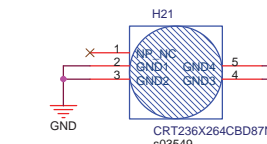
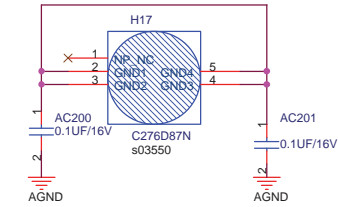
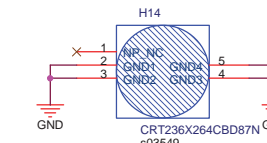
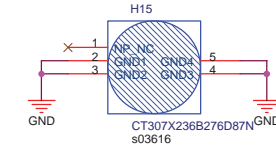
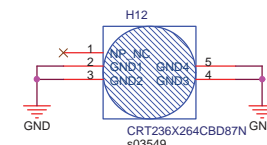
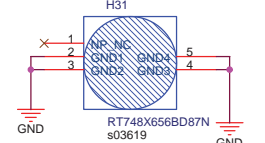
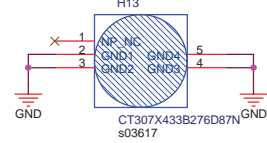
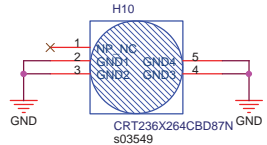
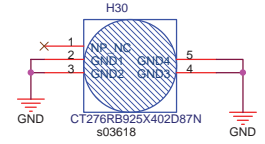
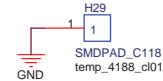
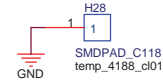
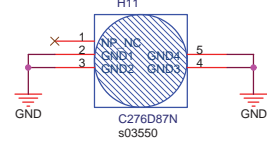
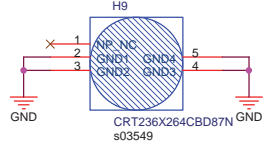
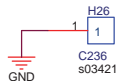
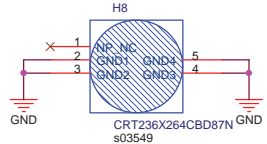
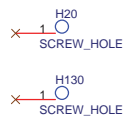
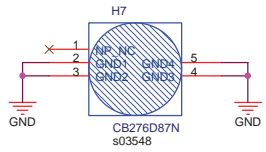


**BAT IN**

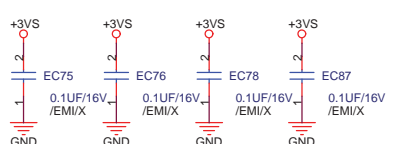
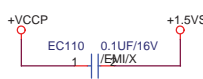
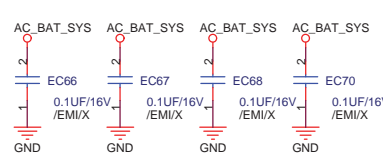
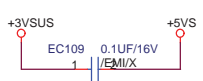
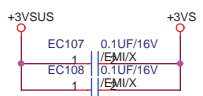
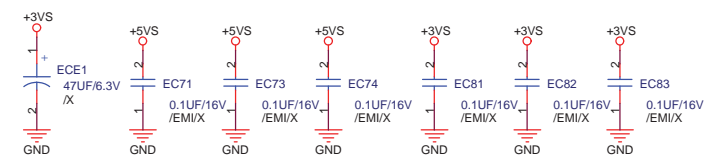
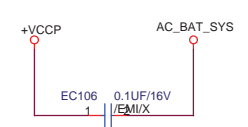
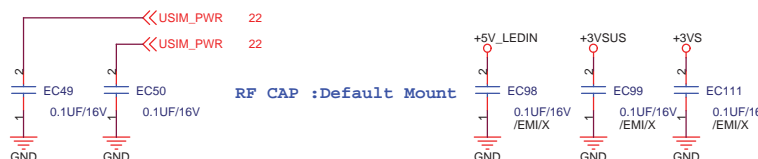
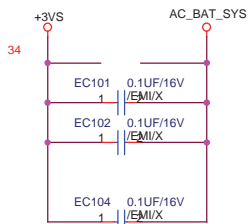
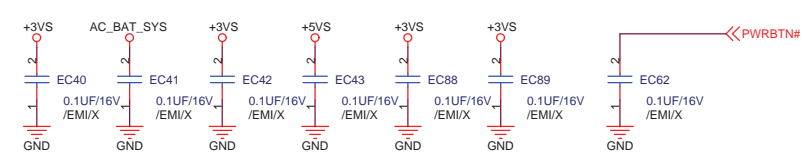
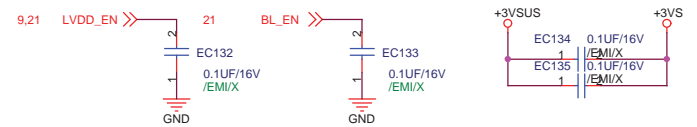
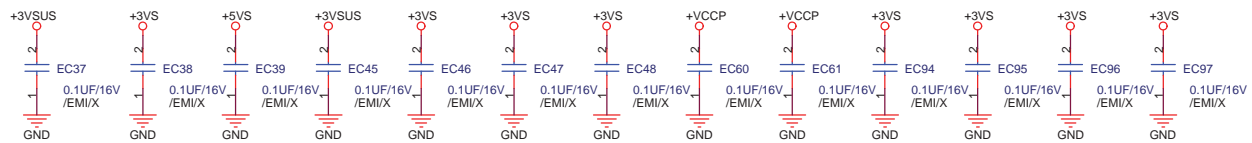
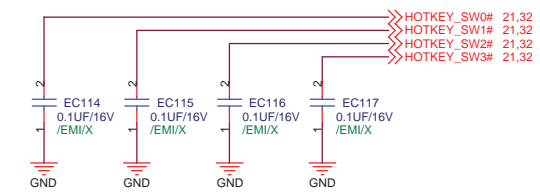
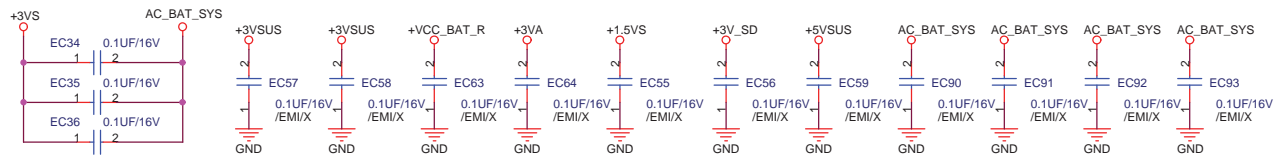


<http://hobi-elektronika.net>

		<b>Title : PWR Jack</b>	
ASUSTek Computer INC.		Engineer: <i>Kell_Huang</i>	
Size A3	Project Name <b>P901</b>	Rev 1.00G	
Date: Monday, March 31, 2008		Sheet	39 of 47

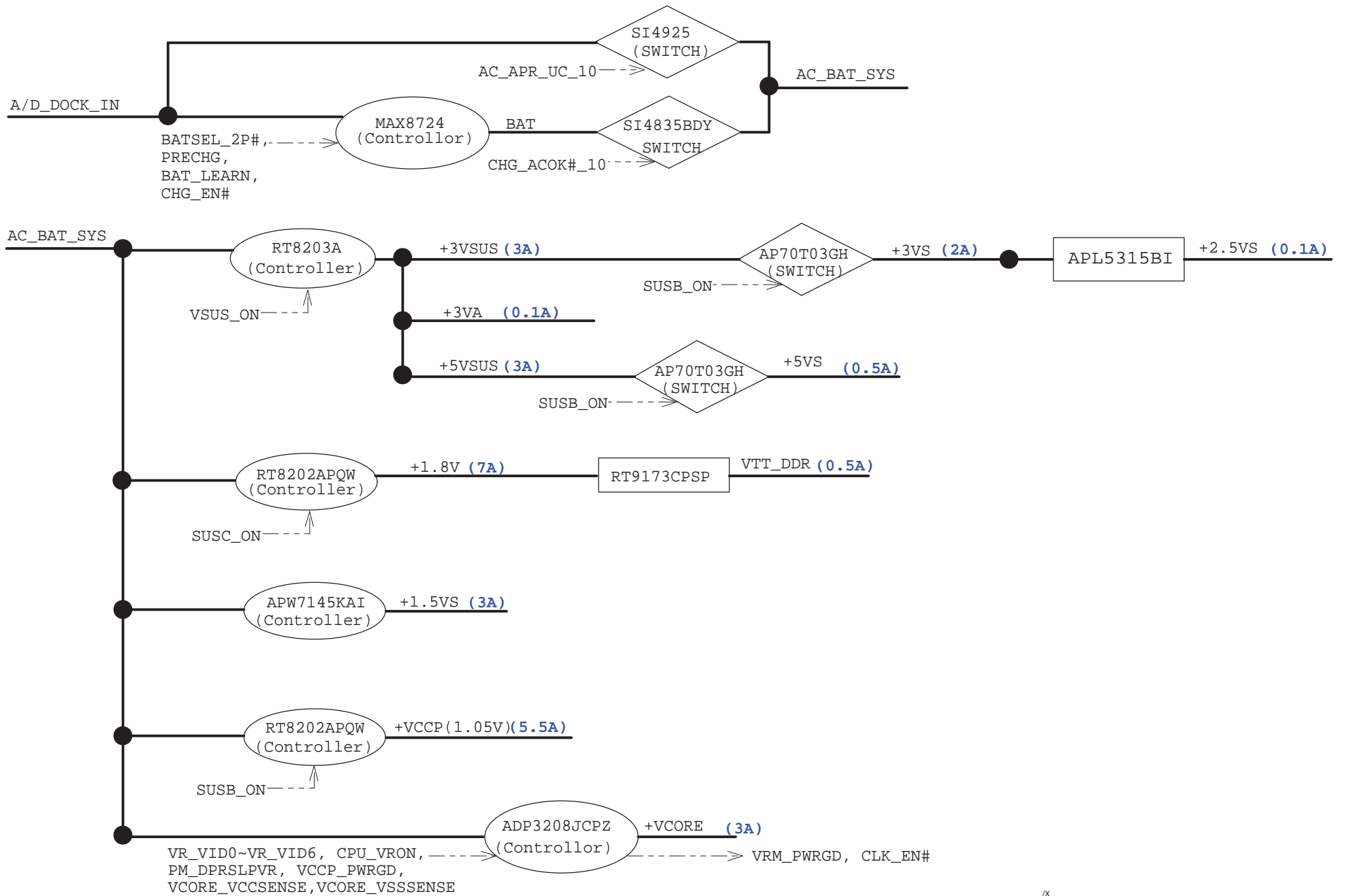






<http://hobi-elektronika.net>

		Title : EMI	
ASUSTek Computer INC.		Engineer: Keli_Huang	
Size	Project Name		Rev
A3	P901		1.00G
Date: Monday, March 31, 2008	Sheet	41 of 47	



<http://hobi-elektronika.net>

<b>ASUS</b>		<b>Title : Power Flow</b>	
ASUSTek Computer INC.		Engineer: <i>Joy_Zhou</i>	
Size A3	Project Name <b>P901</b>	Rev 1.00G	
Date: Monday, March 31, 2008	Sheet 42 of 50		

5.15 PM\_DPRSTP# >>>  
**STP\_CPU# = 0, CPU is in Deep Sleep Mode**

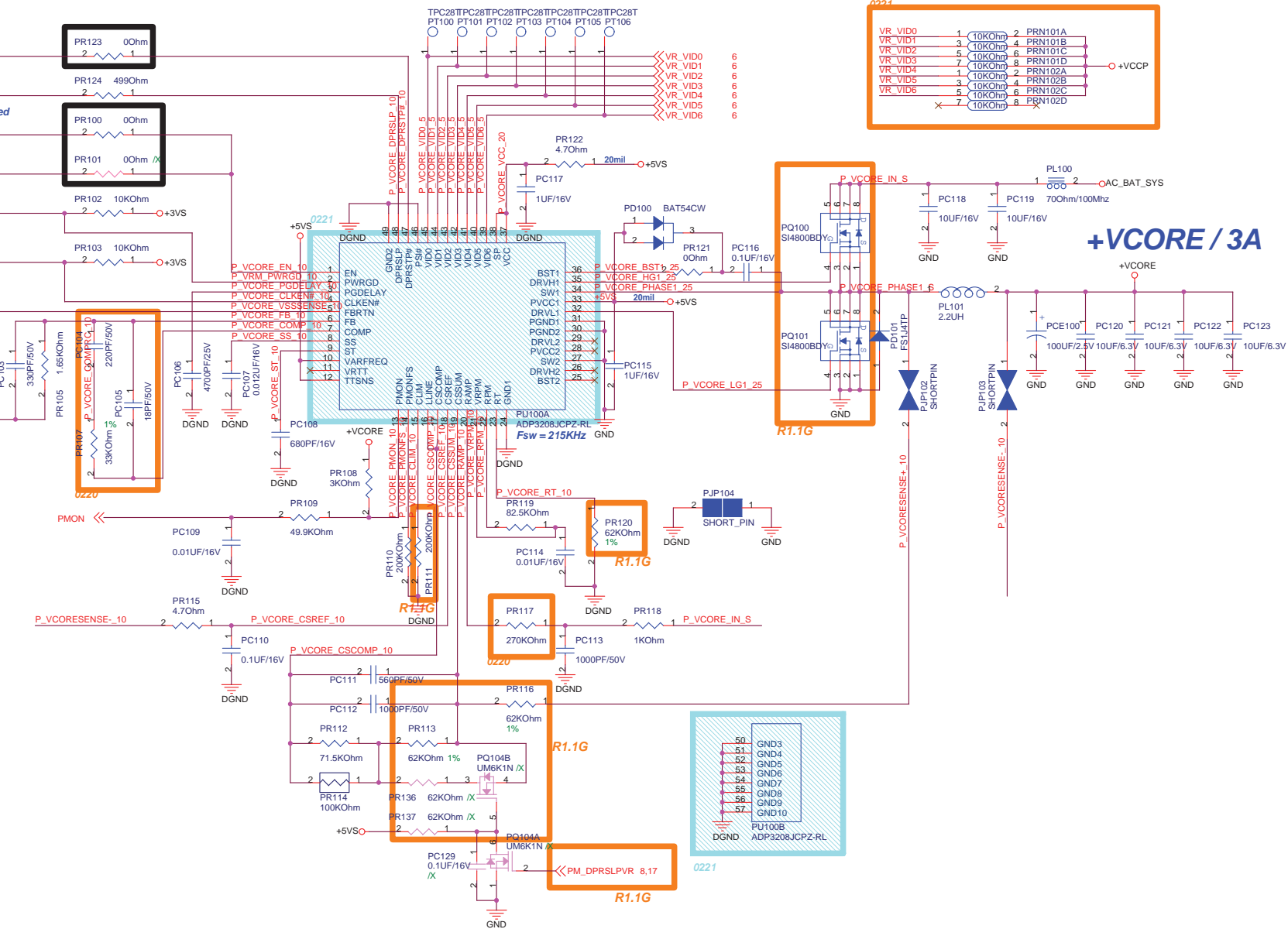
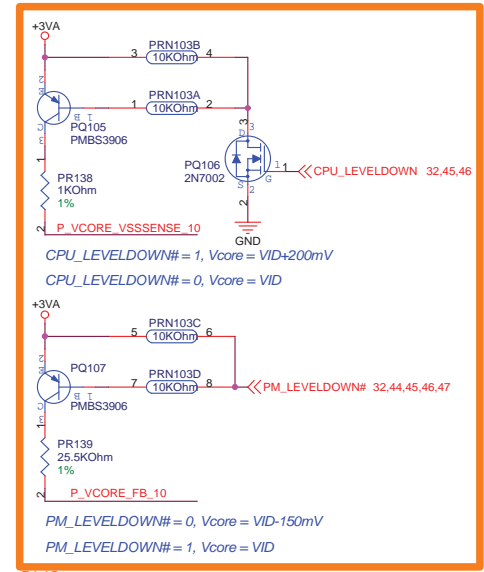
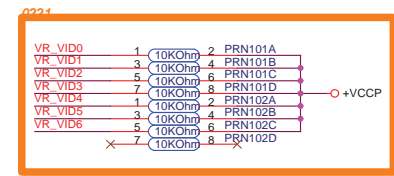
8.17 PM\_DPRSLPVR >>>  
**PM\_DPRSLPVR = 1, CPU Deeper Sleep Mode is enabled**

32 CPU\_VRON >>>  
**CPU\_VRON = 1, Vcore Reglator Enabled**

4.46 VCCP\_PWRGD >>>  
**VCCP\_PWRGD = 1, Vcore Reglator Enabled**

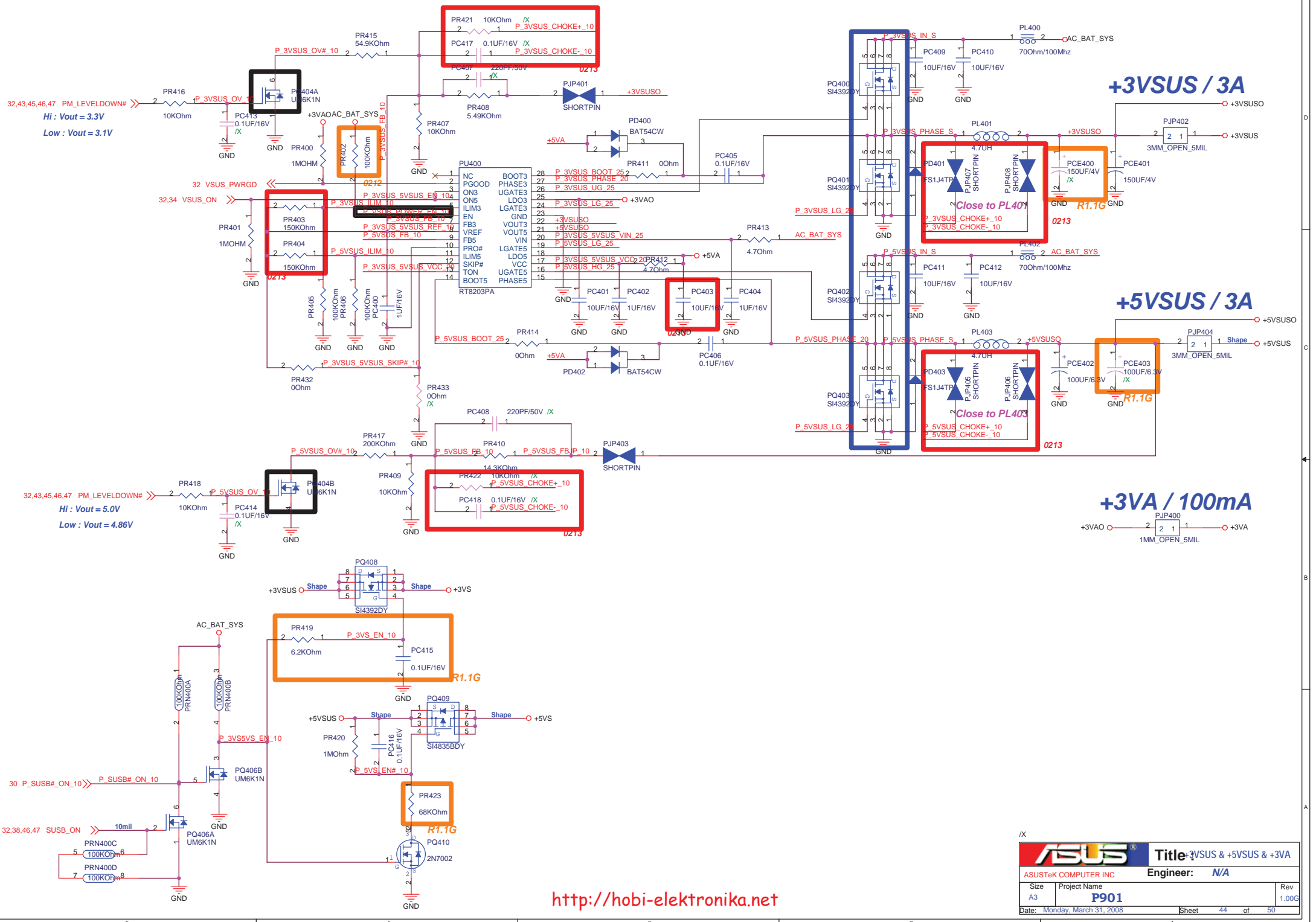
8.17.32.33 VRM\_PWRGD <<<  
**VRM\_PWRGD = 1, Vcore Power OK**

CLK\_EN# <<<  
**CLK\_EN# = 0, Clock is enabled**



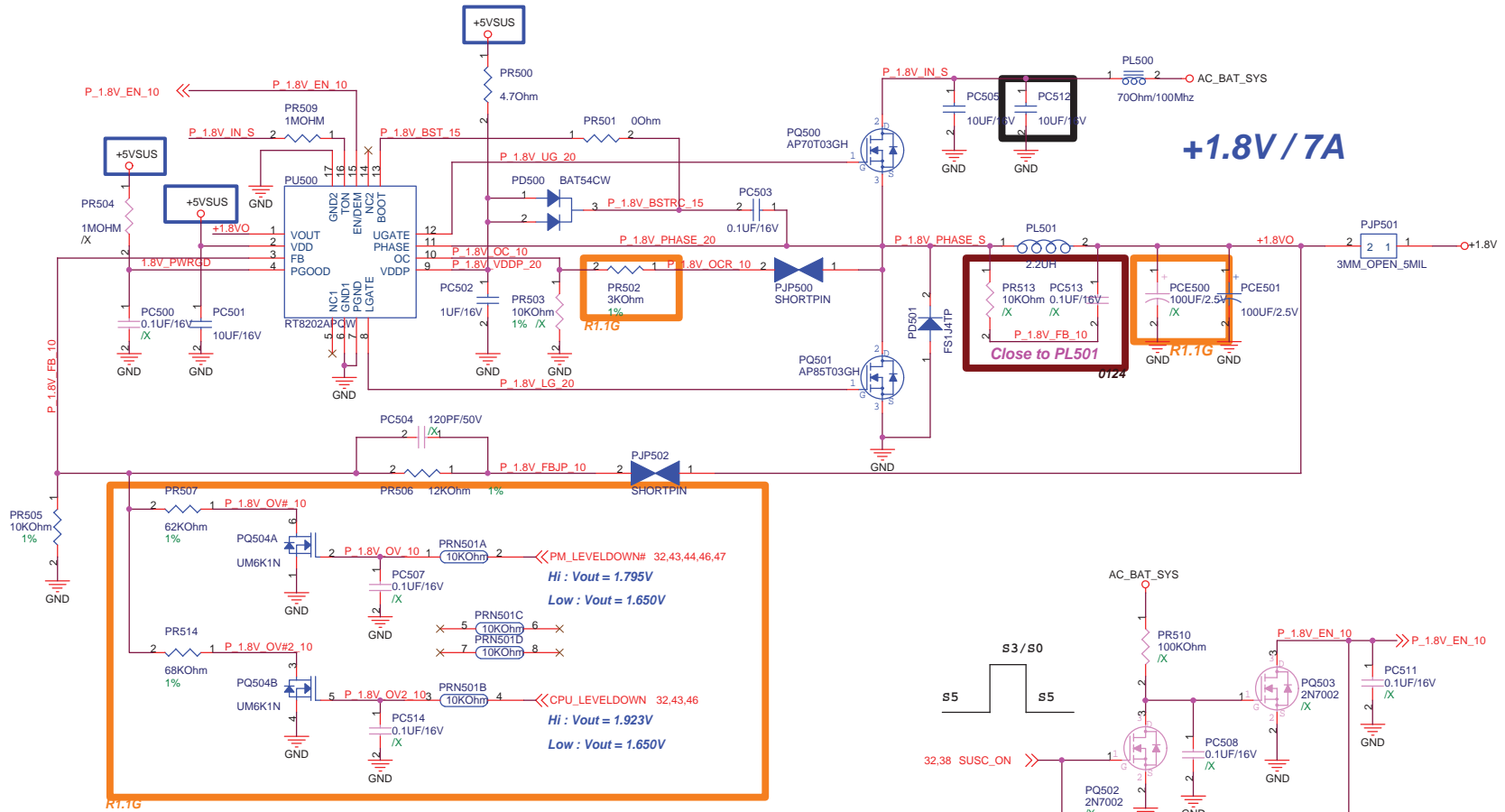
PM_LEVELDOWN#	CPU_LEVELDOWN	CPU_LEVELDOWN#	Vcore	Status
L	L	H	VID-150mV	Power Saving
H	L	H	VID	Normal
H	H	L	VID + 200mV	Performance
L	H	L	VID + 50mV	N/A

**ASUS** Title : Vcore  
 ASUSTek Computer INC. Engineer: Joy\_Zhou  
 Size Project Name  
 Custom P901 Rev 1.2G  
 Date: Monday, March 31, 2008 Sheet 43 of 50

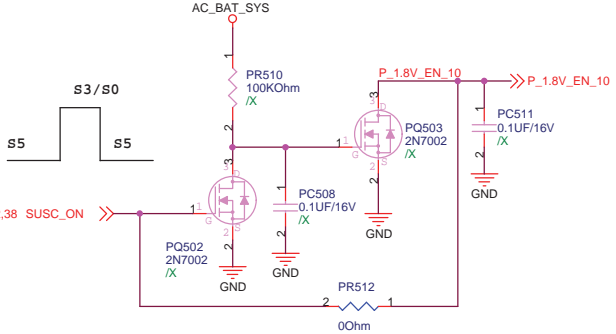
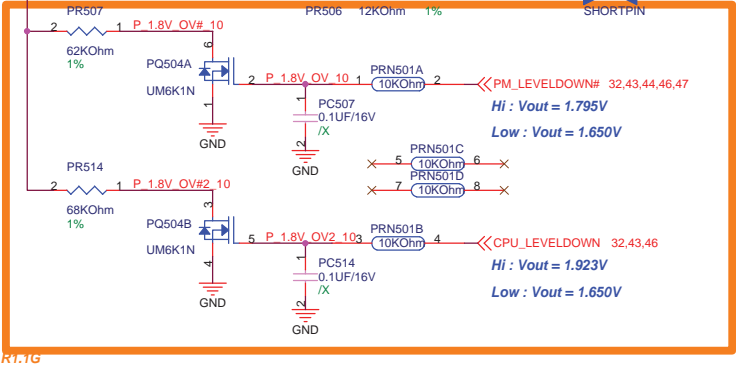


<http://hobi-elektronika.net>

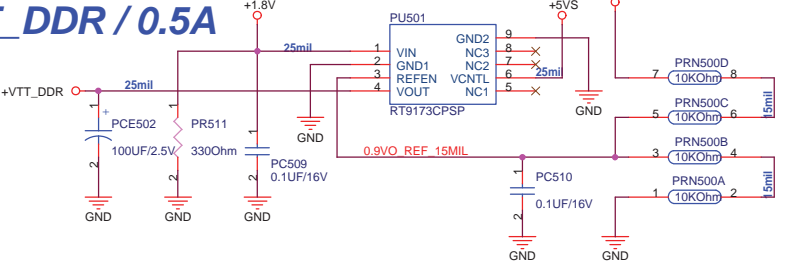
<b>ASUS</b>		<b>Title:</b> 3VSUS & +5VSUS & +3VA	
ASUSTeK COMPUTER INC		<b>Engineer:</b> N/A	
Size	Project Name		Rev
A3	<b>P901</b>		1.00G
Date:	Monday, March 31, 2008	Sheet	44 of 50



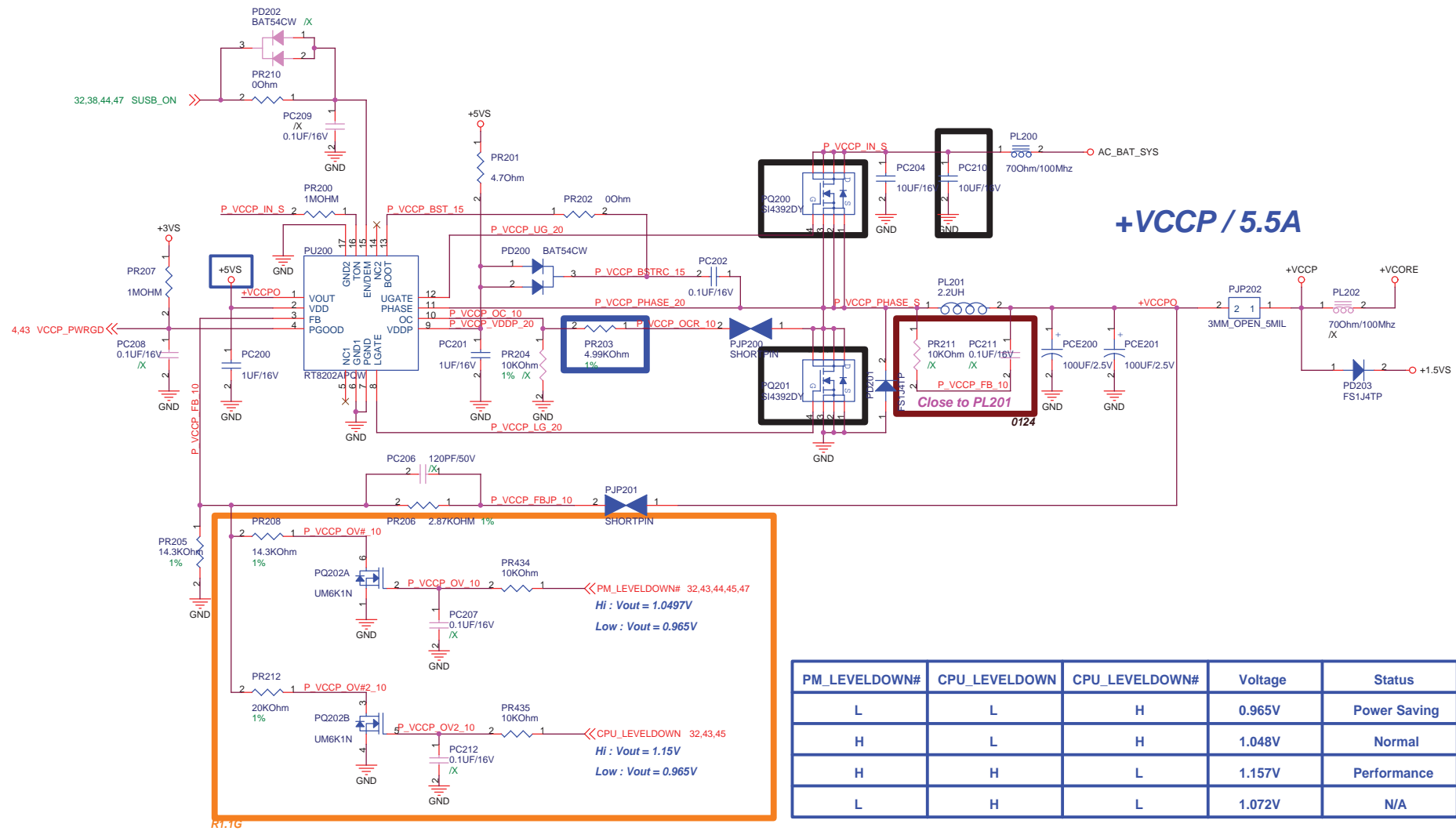
**+1.8V / 7A**



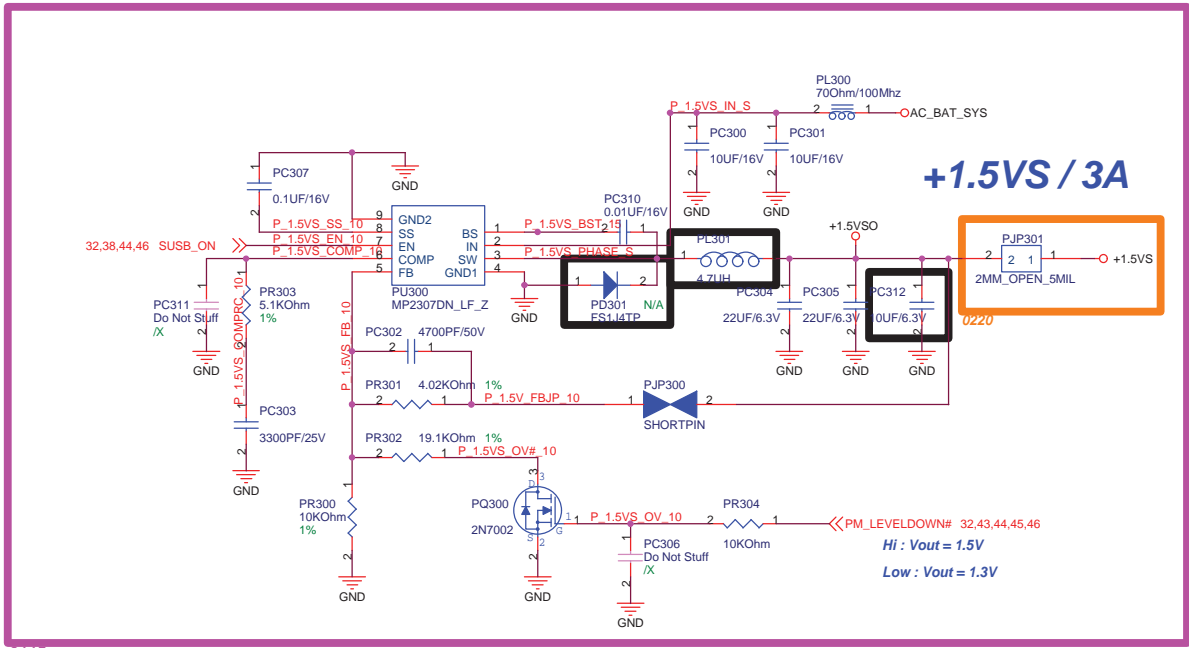
**VTT\_DDR / 0.5A**



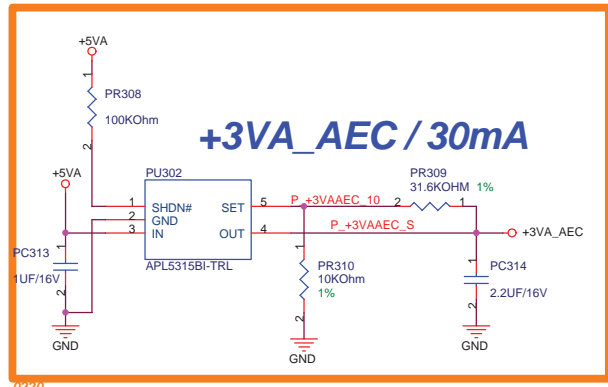
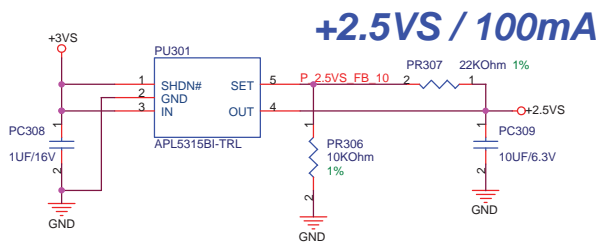
PM_LEVELDOWN#	CPU_LEVELDOWN	CPU_LEVELDOWN#	Voltage	Status
L	L	H	1.650V	Power Saving
H	L	H	1.795V	Normal
H	H	L	1.927V	Performance
L	H	L	1.782V	N/A



PM_LEVELDOWN#	CPU_LEVELDOWN	CPU_LEVELDOWN#	Voltage	Status
L	L	H	0.965V	Power Saving
H	L	H	1.048V	Normal
H	H	L	1.157V	Performance
L	H	L	1.072V	N/A



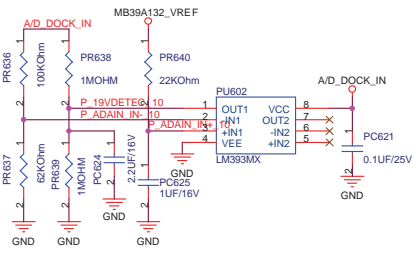
0115



0220

<http://hobi-elektronika.net>

<b>ASUS</b>		<b>Title : +1.5VS &amp; +2.5VS</b>	
ASUSTek Computer INC.		Engineer: <i>Joy_Zhou</i>	
Size	Project Name	Date	Rev
A3	<b>P901</b>	Monday, March 31, 2008	1.2G
Date: Monday, March 31, 2008		Sheet 47 of 50	



**VREF = 5.0V**  
 $f_{osc}(KHz) = 17000 / RT (KOhm)$   
 Soft start:  $t_s(s) = 0.13 * CS (\mu F)$   
 $VTH \text{ of } -IN1: 5V / 62 * (100+62) = 13.06V$   
 $VTH \text{ of } ACIN: 1.25V / 25 * (185+25) = 10.5V$   
 Change PR607 and PR608 value

**Prevent Input from 19V :**  
 Adaptor > 13.06V, PQ603B Turn-off  
 Adaptor < 13.06V, PQ603B Turn-on

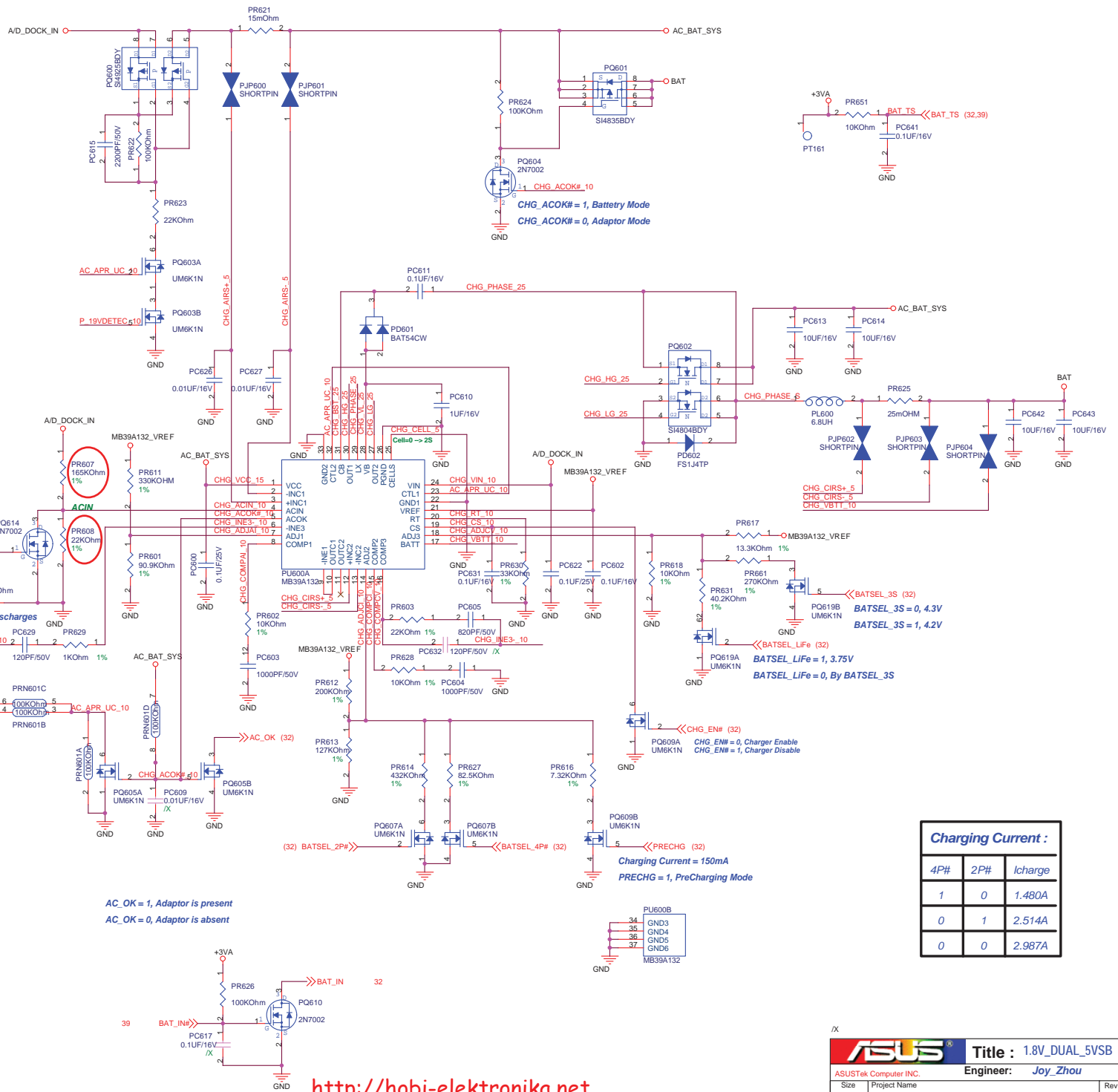
**Battery Cell Selection :**  
 $BAT\_ID = 1, 2 \text{ Cells; } V_{adj2} = 0.998V$   
 $\Rightarrow I_{charge} = 1.477A$   
 $BAT\_ID = 0, 4/6 \text{ Cells; } V_{adj2} = 1.648V$   
 $\Rightarrow I_{charge} = 2.517A$

**Pre-Charging Mode :**  
 Precharging current = 150mA  
 $V_{adj2} = 168.75mV$

**Adaptor Max. Current :**  
 $PR600=235.8K; I_{limit} = 2.170A; 20.615W (9.5V/22W)$   
 $PR600=185.3K; I_{limit} = 2.677A; 32.124W (12V/36W)$

**ACIN Threshold = 1.25V**  
 Adaptor > 10.5V, System Powered by Adaptor  
 Adaptor < 10.5V, System Powered by Battery

**Battery Charging Voltage :**  
 $V_{adj3} > 4.1V \Rightarrow V_{bat} = 4.2V / \text{cell}$   
 $2.2V > V_{adj3} > 1.1V \Rightarrow V_{bat} = 2 * V_{adj3}$   
**Battery Charging Current :**  
 $4.4V > V_{adj2} > 0V \Rightarrow$   
 $I_{chg} = V_{adj2} * 0.075 / (25 * R_s)$   
**Input Adaptor Max. Current Limit :**  
 $I_{limit\_current} = (V_{adj1} - 0.075) / (25 * R_s)$

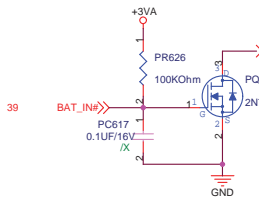


$AC\_OK = 1, \text{ Adaptor is present}$   
 $AC\_OK = 0, \text{ Adaptor is absent}$

Charging Current = 150mA  
 $PRECHG = 1, \text{ PreCharging Mode}$

**Charging Current :**

4P#	2P#	Icharge
1	0	1.480A
0	1	2.514A
0	0	2.987A





## EC KB3310 GPIO SETTING

Pin	Pin Name	Signal Name	Type	Note
1	GPIO0/GA20	A20GATE	O	
2	GPIO01/KBRST#	RC_IN#	O	
6	GPIO4	EMAIL_SW#	I	Internal pull high
13	GPIO05/PCIRST#	PCI_RST#	I	
14	GPIO07	BAT_OTP	I	Battery over temperature
15	GPIO08	EXTSMIH#	OD	10K pull high to +3VSB
16	GPIO0A	LID_EC#	I	Internal pull high
17	GPIO0B/ESB_CLK	NC	O	
18	GPIO0C/ESB_DAT	NC	O	
19	GPIO0D	DISTP_SW#	I	Internal pull high
20	GPIO0E/SC#	EXT_SC#	O	10K pull high to +3VSB
21	GPIO0F/PWM0	BL_PWM_DA	O	
23	GPIO10/PWM1	BAT_CRITICAL	I	Battery critical capacity
25	GPIO11/PWM2	PM_PWRBTN#	OD	Internal pull high in ICH
26	GPIO12/FANPWM1	FAN0_PWM	O	CPU Fan
27	GPIO13/FANPWM2	FAN1_PWM	O	VGA Fan
28	GPIO14/FANFB1	FAN0_TACH	I	CPU FanTach
29	GPIO15/FANFB2	FAN1_TACH	I	VGA FanTach
30	GPIO16/E51_TX	E51_TX	O	RS232 debug port
31	GPIO17/E51_RX	E51_RX	I	RS232 debug port
32	GPIO18	PWR_SW#	I	Internal pull high
34	GPIO19/PWM3	MAIL_LED#	O	
36	GPIO1A/NUMLED	NUM_LED#	O	
38	GPIO1D/CLKRUN#	NC	O	
39	GPIO20/KSO0/TP_TEST	KSO0	O	
40	GPIO21/KSO1/TP_PLL	KSO1	O	
41	GPIO22/KSO2	KSO2	O	
42	GPIO23/KSO3	KSO3	O	
43	GPIO24/KSO4	KSO4	O	
44	GPIO25/KSO5	KSO5	O	
45	GPIO26/KSO6	KSO6	O	
46	GPIO27/KSO7	KSO7	O	
47	GPIO28/KSO8	KSO8	O	
48	GPIO29/KSO9	KSO9	O	
49	GPIO2A/KSO10	KSO10	O	
50	GPIO2B/KSO11	KSO11	O	
51	GPIO2C/KSO12	KSO12	O	
52	GPIO2D/KSO13	KSO13	O	
53	GPIO2E/KSO14	KSO14	O	
54	GPIO2F/KSO15	KSO15	O	
55	GPIO30/KSI0	KSI0	I	Internal pull high
56	GPIO31/KSI1	KSI1	I	Internal pull high
57	GPIO32/KSI2	KSI2	I	Internal pull high
58	GPIO33/KSI3	KSI3	I	Internal pull high
59	GPIO34/KSI4	KSI4	I	Internal pull high
60	GPIO35/KSI5	KSI5	I	Internal pull high
61	GPIO36/KSI6	KSI6	I	Internal pull high
62	GPIO37/KSI7	KSI7	I	Internal pull high
63	GPI38/AD0	BAT_ICHG	I	
64	GPI39/AD1	BAT_CONFIG	I	Battery configuration
65	GPIO3A/AD2	BAT_SENSE	I	Battery Voltage Sensor
66	GPIO3B/AD3	BAT_TS	I	Battery Thermal Sensor
68	GPO3C/DA0	DOC	O	Trigger Clock Gen

Pin	Pin Name	Signal Name	Type	Note
70	GPO3D/DA1	LCD_BACKOFF#	O	
71	GPO3E/DA2	CLK_PWRSERVE#	O	
72	GPO3F/DA3	BAT_LL#	O	Battery Low Low
73	GPIO40	AC_OK	I	AC Adaptor Plug in
74	GPIO41	PM_RSMRST#	O	10K pull down to GND
75	GPI42	BAT_IN	I	
76	GPI43	CLRTC_EC	I	
77	GPIO44/SCL1	SMB0_CLK	I/O	4.7K pull high to +3VA_EC
78	GPIO45/SDA1	SMB0_DAT	I/O	4.7K pull high to +3VA_EC
79	GPIO46/SCL2	SMB1_CLK	I/O	10K pull high to +3V
80	GPIO47/SDA2	SMB1_DAT	I/O	10K pull high to +3V
81	GPIO48/KSO16	KB pin 28	I	for KB type detection
82	GPIO49/KSO17	KB pin 27	I	for KB type detection
83	GPIO4A/PSCLK1	AUO_SCL	O	for AUO, default H at S0
84	GPIO4B/PSDAT1	AUO_SDA	O	for AUO, default L at S0
85	GPIO4C/PSCLK2	AUO_CSB	O	for AUO, default H at S0
86	GPIO4D/PSDAT2	LVDD_EN	I	for AUO 7" Panel
87	GPIO4E/PSCLK3	TP_CLK	I/O	10K pull high to +3V
88	GPIO4F/PSDAT3	TP_DAT	I/O	10K pull high to +3V
89	GPIO50/SELIO#	BATSEL_3S	O	Battery series, H:3S, L:4S
90	GPIO52/E51_CS#	CHG_LED_UP#	O	
91	GPIO53/CAPLED	CAP_LED#	O	
92	GPIO54	PWR_LED_UP	O	
93	GPIO55/SCRLED	SCRLED#	O	
95	GPIO56	PWR4G_SW#	I	Internal pull high
97	GPXOA00/SDICS#	SPI_MODE#	O	4.7K pull down to GND
98	GPXOA01/SDICLK	SUSC_ON	O	
99	GPXOA02/SDIDO	VSUS_ON	O	
100	GPXOA03	CPU_VRON	O	
101	GPXOA04	SUSB_ON	O	
102	GPXOA05	ICH_PWROK	O	
103	GPXOA06	VOLT_CTRL	O	
104	GPXOA07	CHG_EN#	O	Battery charging enabled
105	GPXOA08	PRECHG	O	
106	GPXOA09	SPI_WP#	O	
107	GPXOA10	OP_SD#	O	Audio OP
108	GPXOA11	BAT_LEARN	O	
109	GPXID0/SDIDI	BATSEL_2P#	O	Battery parallel, H:1P, L:2P-3P
110	GPXID1	NC	O	
112	GPXID2	THRO_CPU	O	Active if CPU temperature over spec
114	GPXID3	SUSB#	I	100K pull down to GND
115	GPXID4	SUSC#	I	100K pull down to GND
116	GPXID5	CPUPWR_GD	I	Pull high to +3V
117	GPXID6	VSUS_GD	I	
118	GPXID7	NC	O	
121	GPIO57	INTERNET#	I	Internal pull high
126	GPIO57/SPICLK	SPI_CLK	O	
127	GPIO59/TEST_CLK	NC	O	

## EC KB3310 Other Pin SETTING


Pin	Pin Name	Signal Name	Type	Note
3	SERIRQ	INT_SERIRQ	I/O	10K pull high to +3V
4	LFRAME#	LPC_FRAME#	I	
5	LAD3	LPC_AD3	I/O	
7	LAD2	LPC_AD2	I/O	
8	LAD1	LPC_AD1	I/O	
9	VCC	+3VA_EC	P	
10	LAD0	LPC_AD0	I/O	
11	GND	GND	P	
12	PCICLK	CLK_PCL_EC	I	
22	VCC	+3VA_EC	P	
24	GND	GND	P	
33	VCC	+3VA_EC	P	
35	GND	GND	P	
37	ECRST#	EC_RST#	I	100K pull high to +3VA_EC
67	AVCC	+3VACC	P	
69	AGND	AGND	P	
94	GND	GND	P	
96	VCC	+3VA_EC	P	
111	VCC	+3VA_EC	P	
113	GND	GND	P	
119	RD#/SPIDI	SPL_SO	I	
120	WR#/SPIDO	SPL_SI	O	
112	XCLKI	32KXCLKI	I	
123	XCLKO	32KXCLKO	O	
124	V18R	V18R	P	Reserved 1uF to GND
125	VCC	+3VA_EC	P	
128	SPICS#/SELMEM#	SPI_CE#	O	

<http://hobi-elektronika.net>

		<b>Title : EC Pin Define</b>	
ASUSTek Computer INC.		Engineer: <b>Satan He</b>	
Size A3	Project Name <b>P901</b>	Rev 1.00G	
Date: Monday, March 31, 2008	Sheet	49	of 50

<http://hobi-elektronika.net>

IX

		Title : History	
ASUSTek Computer INC.		Engineer: <i>Satan He</i>	
Size	Project Name		Rev
A3	<b>P901</b>		1,00G
Date: Monday, March 31, 2008		Sheet	50 of 50