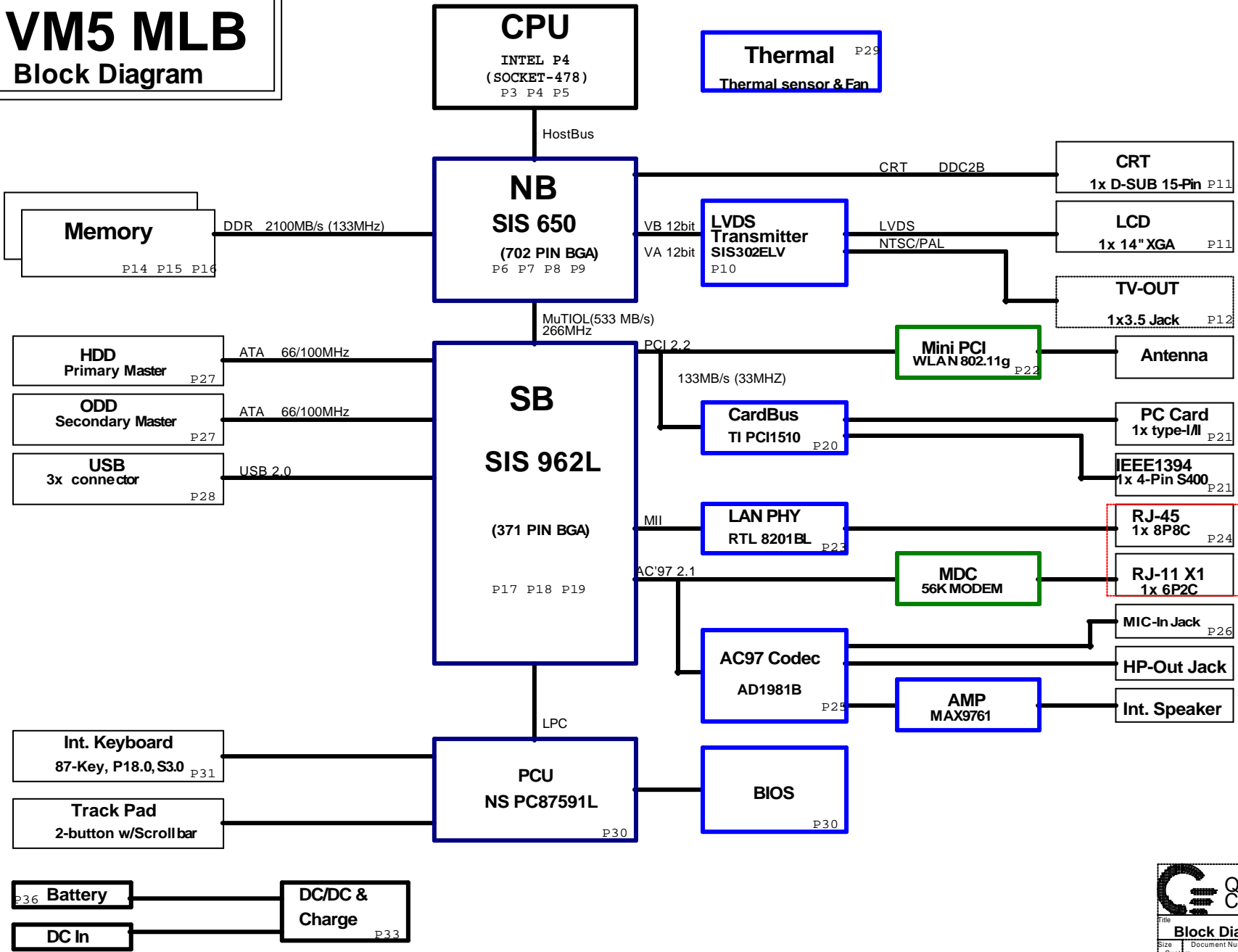


VM5 MLB Block Diagram

01



QUANTA COMPUTER


Title: **Block Diagram**

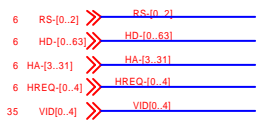
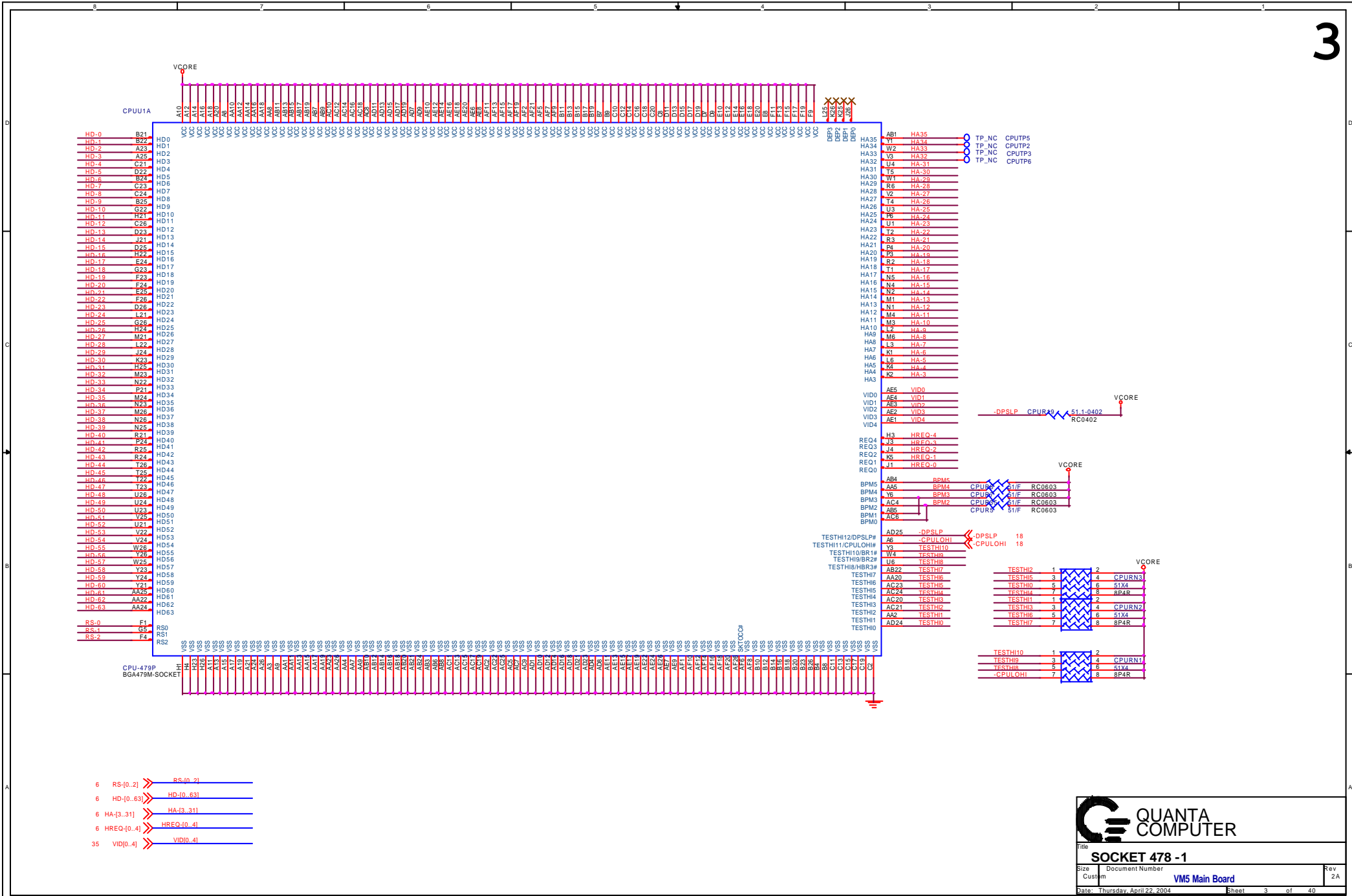
Size: Custom | Document Number: VM5 Main Board | Rev: 1A

Date: Thursday, April 22, 2004 | Sheet: 1 of 40

Page List

01 Block Diagram	31-Internal K/B & Screw
02 Page List	32-PCI Bus Glue Logic
03-CELERON-1/3	33- DC/DC 3V/5V
04-CELERON-2/3	34- 2.5/1.8VSUS & DDRVTT
05-CELERON-3/3	35- DC/DC VCORE
06-NB-SIS650-1/4	36- BATTERY CHARGER
07-NB-SIS650-2/4	37- BATTERY CONNECTOR
08-NB-SIS650-3/4	
09-NB-SIS650-4/4	
10-LVDS Interface	
11-CRT Port & LCD Connector	
12-Hardware Trap	
13-Clock generator	
14-DDR Terminator	
15-DDR SODIMMX2	
16-DDR SDRAM(on board)	
17-SB-SIS962L-1/3	
18-SB-SIS962L-2/3	
19-SB-SIS962L-3/3	
20-PCI1510GVF	
21-PCMCIA SOCKET & POWER	
22-Mini PCI & MDC	
23-LAN Phy. RTL8201	
24-TP and Lan Connector(CK)	
25-Audio CODE	
26-Audio AMP	
27-HDD,ODD Connector	
28-USB Connector	
29-RTC & Thermal IC,FAN	
30-PCU-87591 & BIOS	

		QUANTA COMPUTER	
Title Page List			
Size Custom	Document Number VM5 Main Board	Rev 1A	
Date Thursday, April 22, 2004	Sheet 2 of 40		

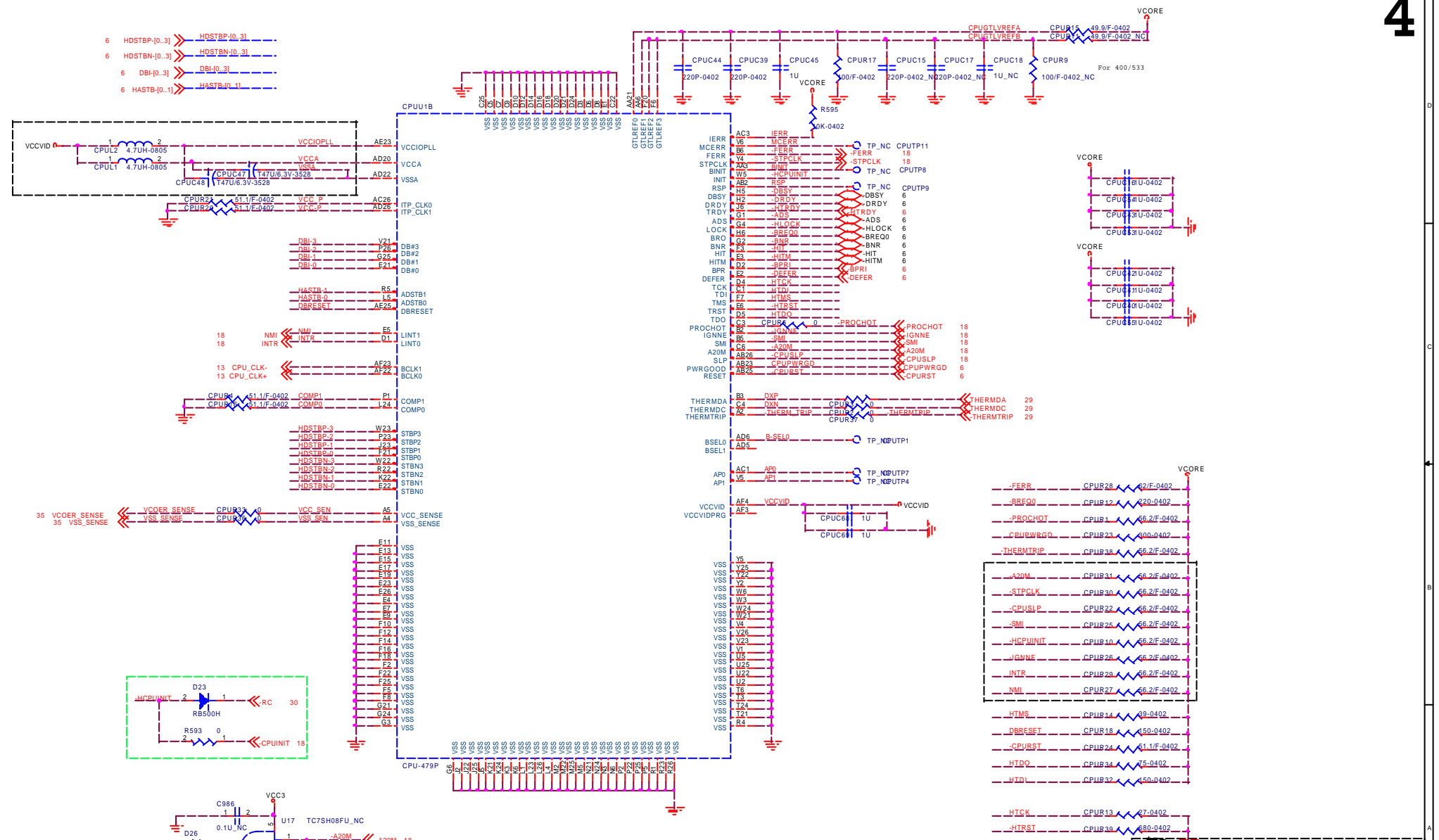


QUANTA COMPUTER

Title: **SOCKET 478 -1**

Size	Document Number	Rev
Custom	VM5 Main Board	2A

Date: Thursday, April 22, 2004 Sheet 3 of 40

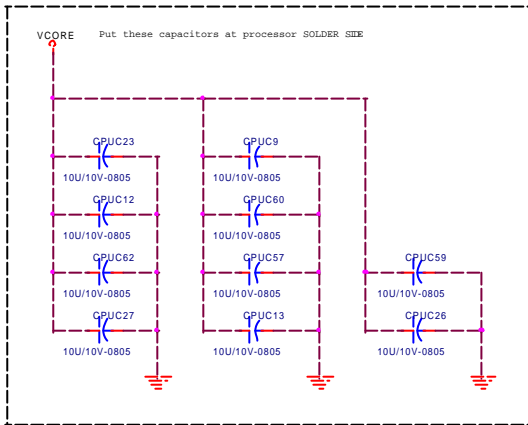
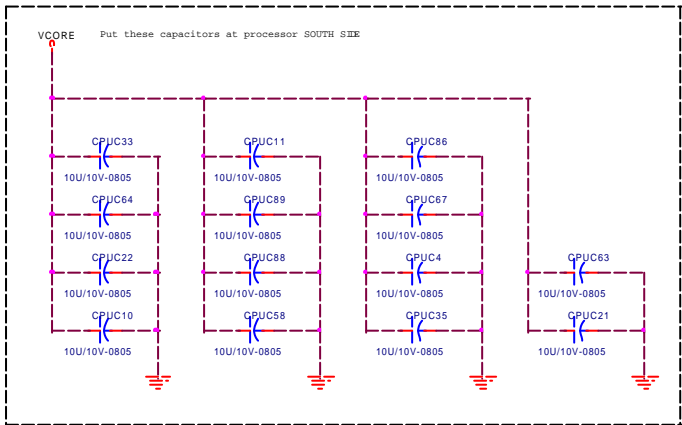
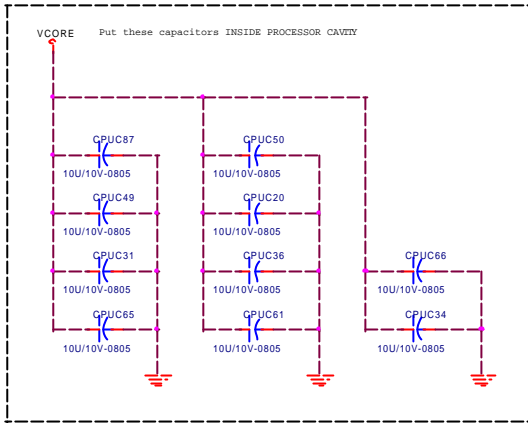
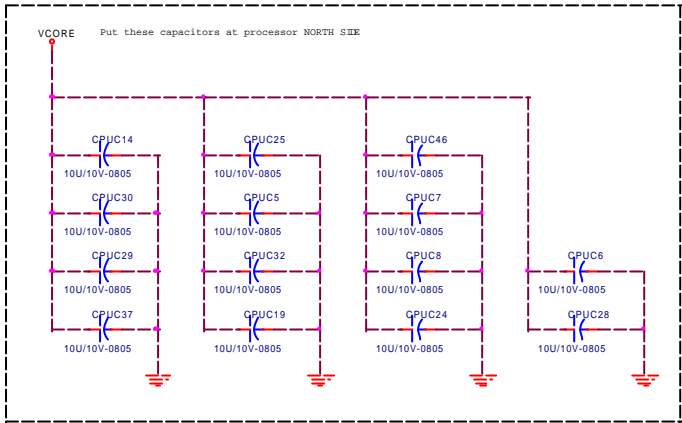


-FERR	CPUR28	62/F-0402
-BREQ0	CPUR12	220-0402
-PROCHOT	CPUR1	66.2/F-0402
-CPUWBKGD	CPUR23	400-0402
-THERMTRIP	CPUR38	66.2/F-0402
-A20M	CPUR31	66.2/F-0402
-STPCLK	CPUR30	66.2/F-0402
-CPUSLP	CPUR22	66.2/F-0402
-SMI	CPUR25	66.2/F-0402
-HCPUINIT	CPUR10	66.2/F-0402
-IGNNE	CPUR29	66.2/F-0402
-INTR	CPUR29	66.2/F-0402
-NMI	CPUR27	66.2/F-0402
-HTMS	CPUR14	39-0402
-DBRESET	CPUR18	450-0402
-CPURST	CPUR24	61.1/F-0402
-HTDO	CPUR34	75-0402
-HTDI	CPUR32	450-0402
-HICK	CPUR13	27-0402
-HTRST	CPUR39	680-0402

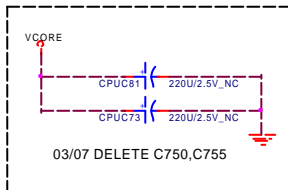
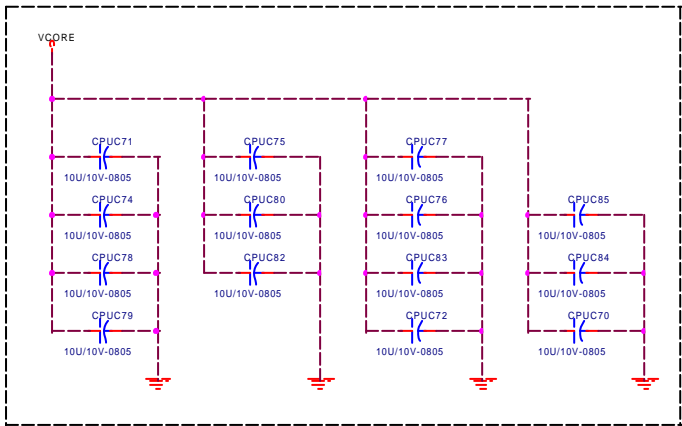


QUANTA COMPUTER

Title: SOCKET 478 -2
 Size: Document Number
 Custom: VM5 Main Board
 Date: Thursday, April 22, 2004
 Sheet: 4 of 40
 Rev: 2A



P.S. Choose X7R/X5R components instead of Y5V for all 10uF_1206 capacitors on this page.

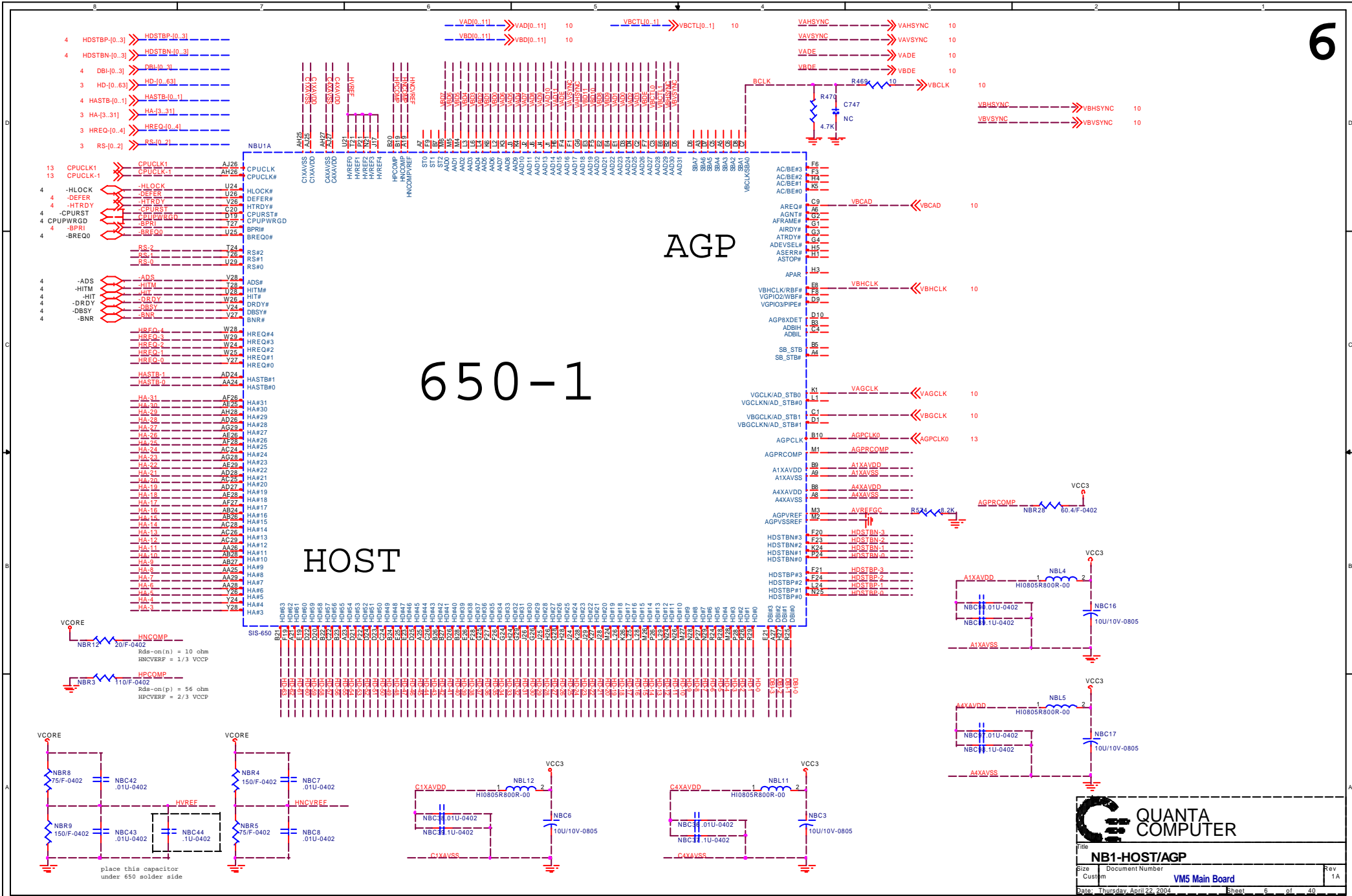


Title			SOCKET 478 - 3
Size	Document Number	Rev	
Custom	VM5 Main Board	1A	
Date: Thursday, April 22, 2004	Sheet	5	of 40

AGP

650-1

HOST



QUANTA COMPUTER

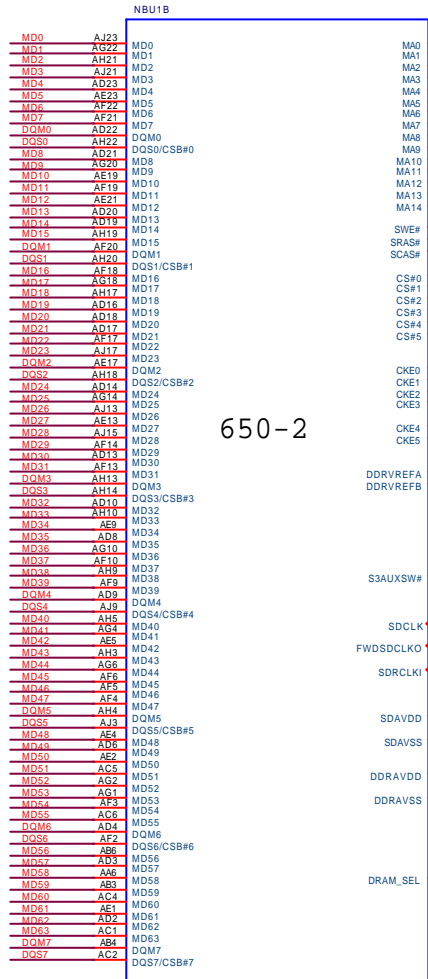
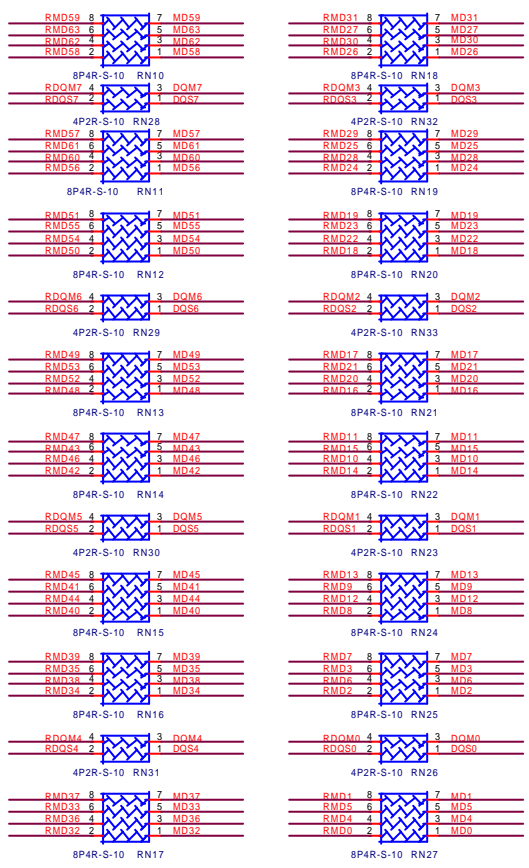
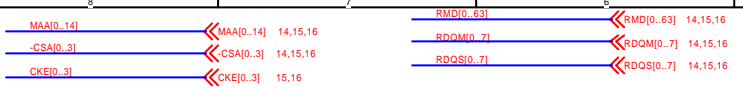
Title: **NB1-HOST/AGP**

Size: Custom Document Number

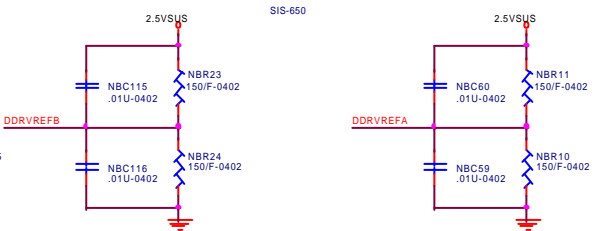
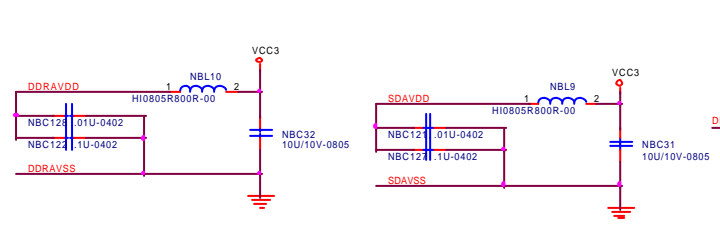
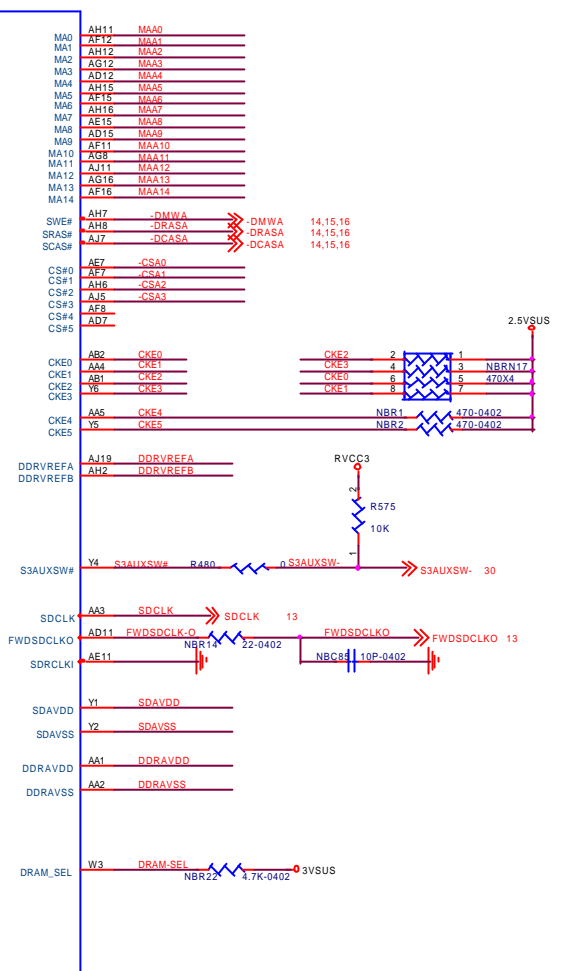
Rev: 1A

Customer: **VM5 Main Board**

Date: Thursday, April 22, 2004 Sheet: 6 of 40



650-2



QUANTA COMPUTER

Title: NB1-MEMORY FOR DDR
 Size: Custom
 Document Number: VM5 Main Board
 Date: Thursday, April 22, 2004
 Sheet: 7 of 40
 Rev: 2A

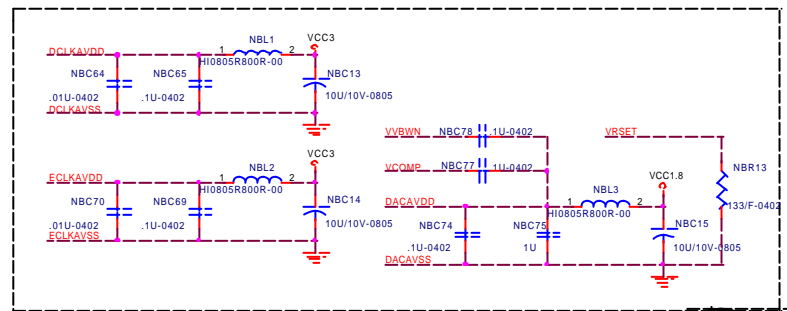
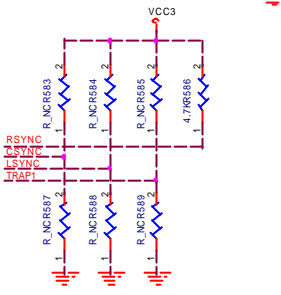
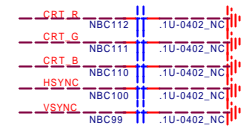
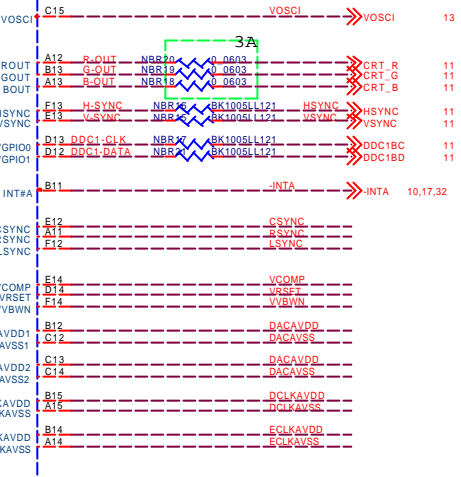
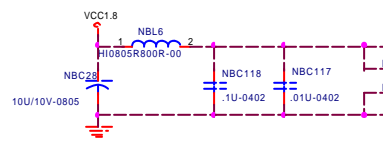
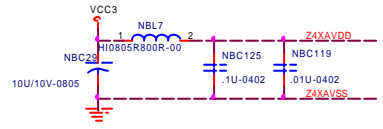
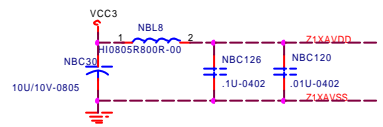
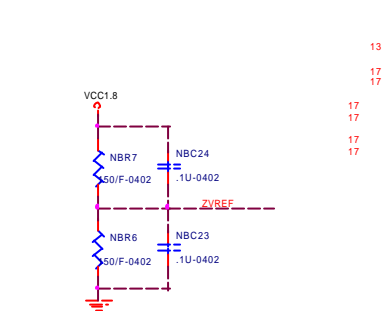
NOTE: This page is for universal PCB design(suitable for both 645 & 60)

NB Hardware Trap Table

	0	1	Default
DLEEN	enable PLL	disable PLL	yes
DRAM_SEL	SDR	DDR	1(DDR)
FRFMT	normal	HW input mode	yes
TRAPT	TV selectEigh, NPS&PAL(071)		0
CSYNC	enable VBI		0
RSYNC	enable VBI interrupt		1
LSYNC	enable panel link		0

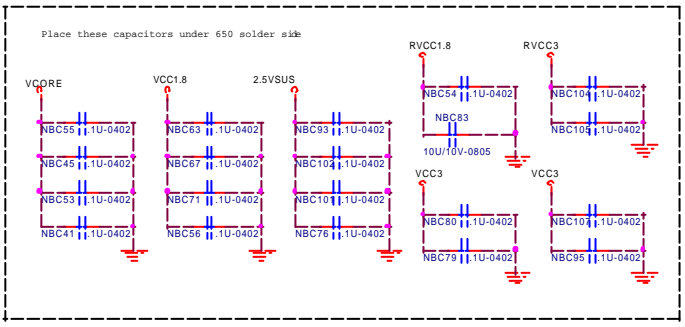
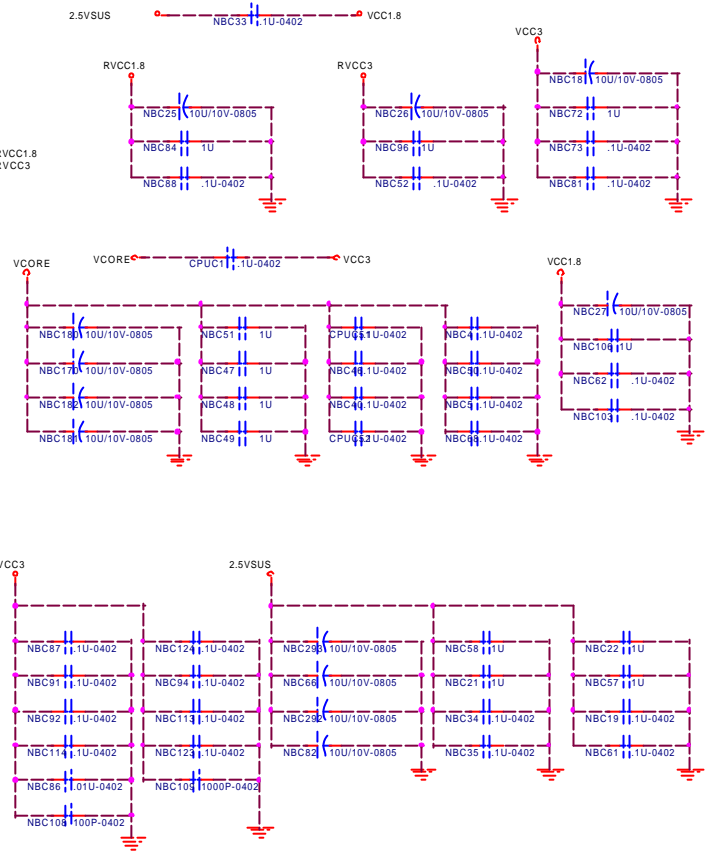
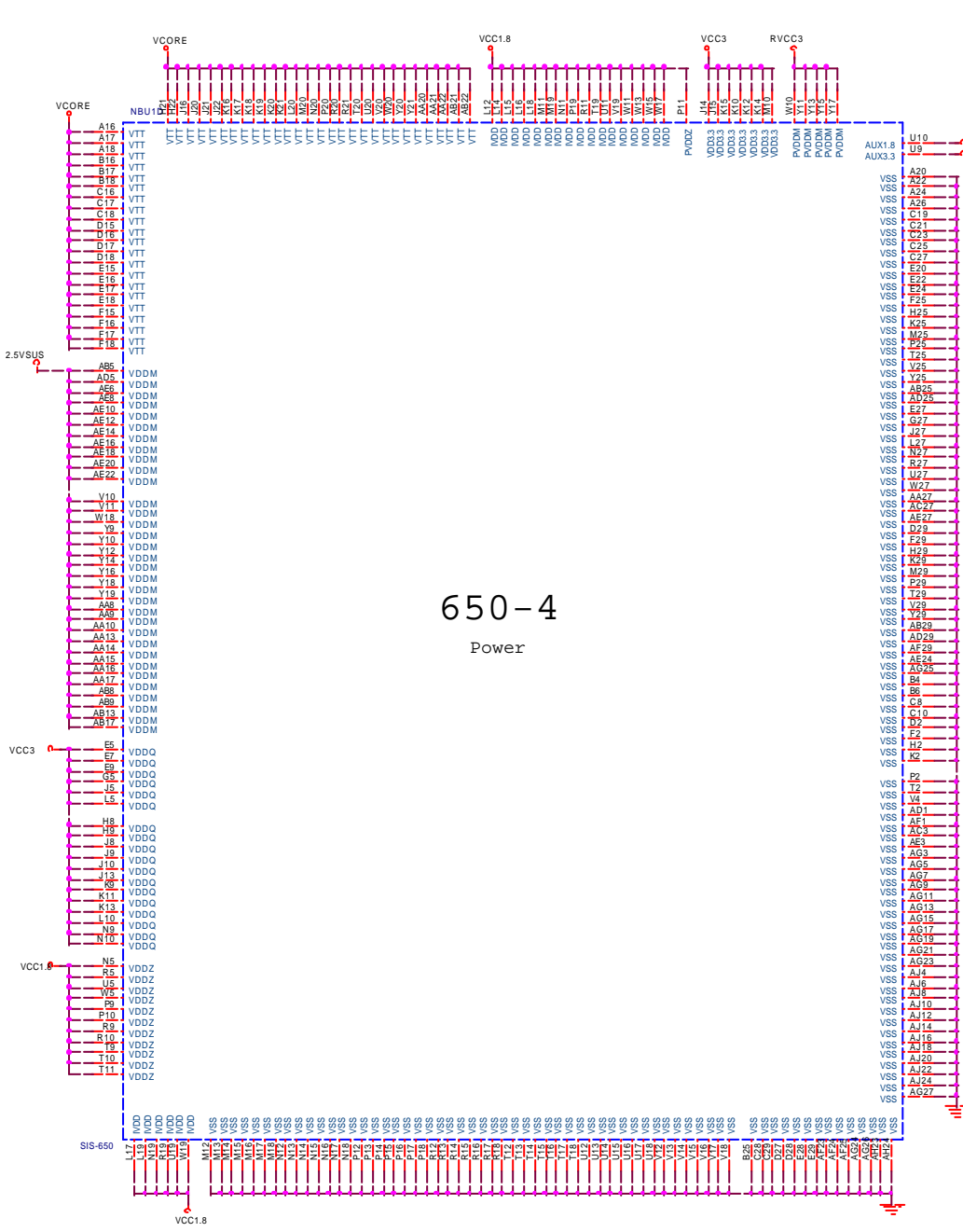
embedded pull-low (30-50K Ohm)

17 ZAD[0..15] ← ZAD[0..15]



Title		NB1-HyperZip/VGAMisc.	
Size	Document Number	Rev	
Custom	VM5 Main Board	1A	
Date: Thursday, April 22, 2004	Sheet	6	of 40

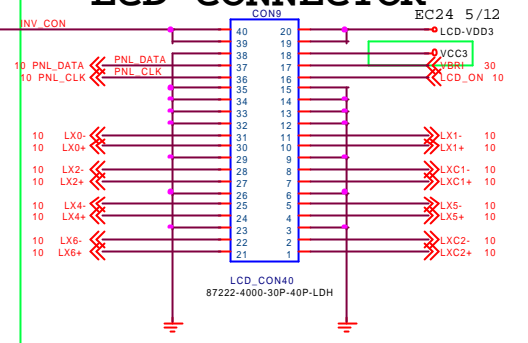
650-4 Power



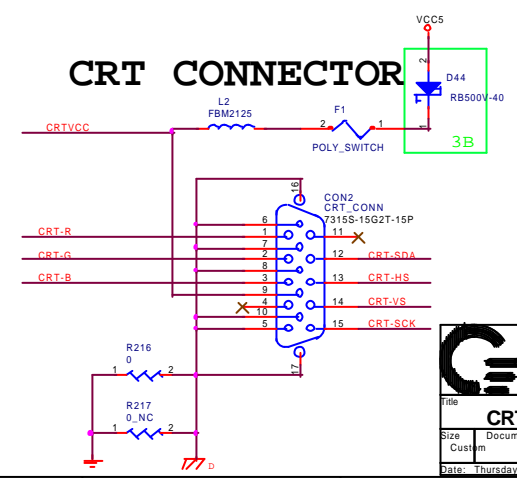
QUANTA COMPUTER

Title: NB1-Powers
 Size: Custom
 Document Number: VM5 Main Board
 Date: Thursday, April 22, 2004
 Sheet: 9 of 40
 Rev: 1A

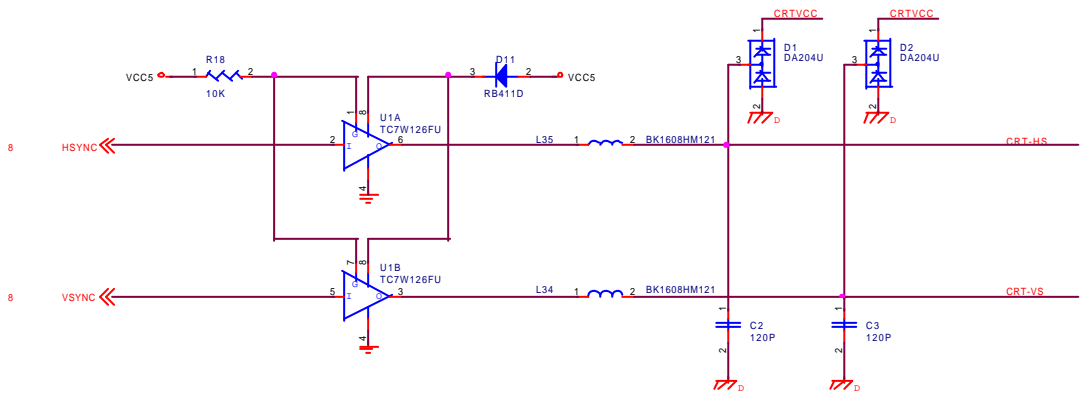
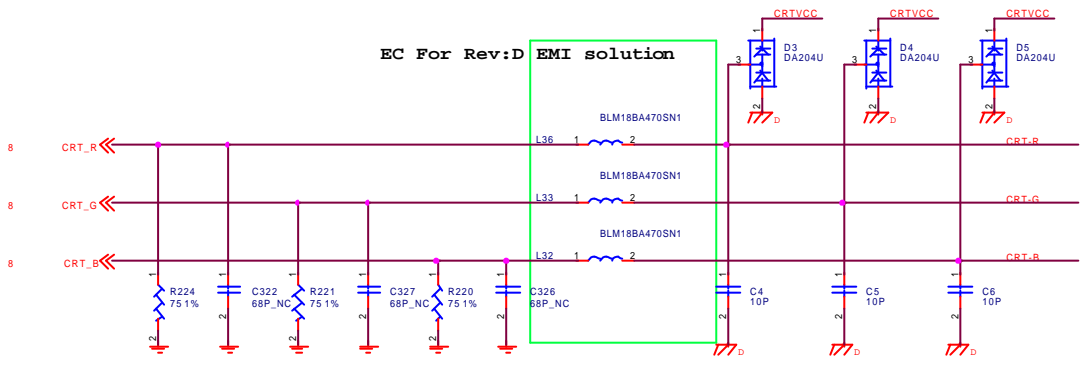
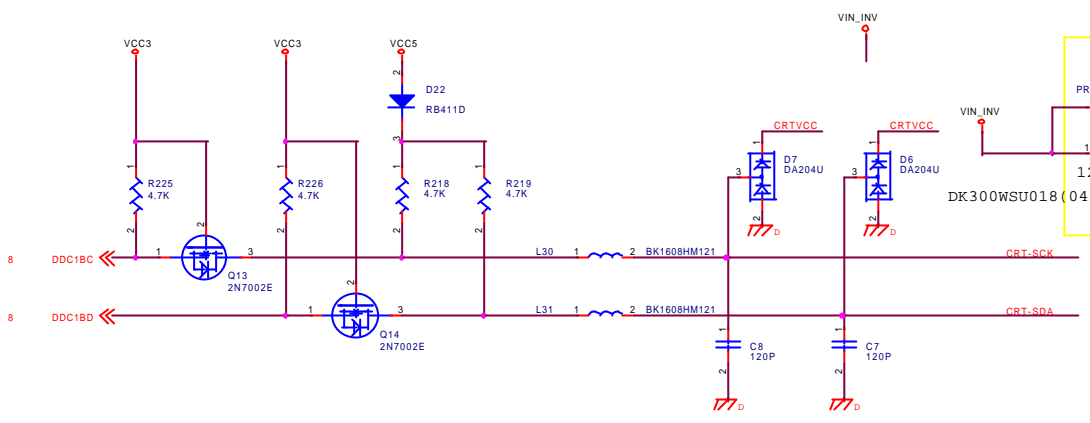
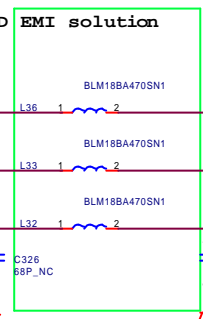
LCD CONNECTOR



CRT CONNECTOR



EC For Rev:D EMI solution



QUANTA COMPUTER

Title: **CRT PORT**

Size: Custom

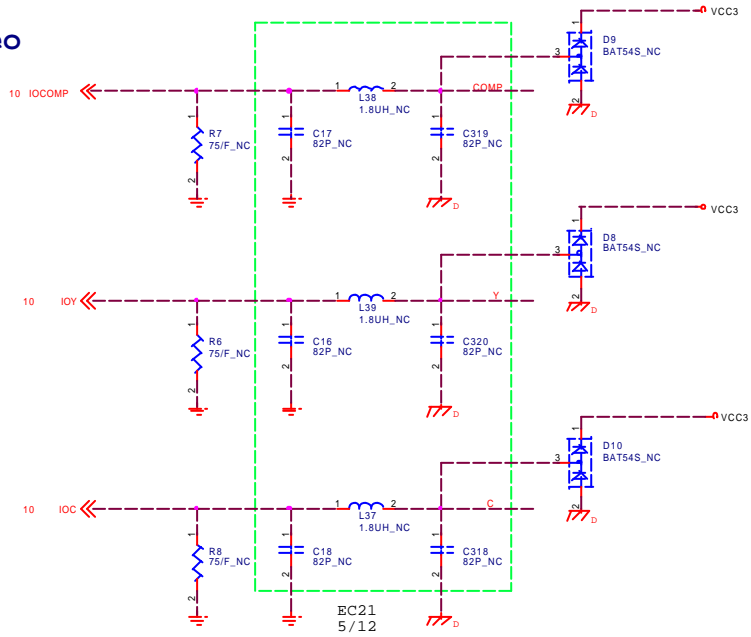
Document Number: **VM5 Main Board**

Date: Thursday, April 22, 2004

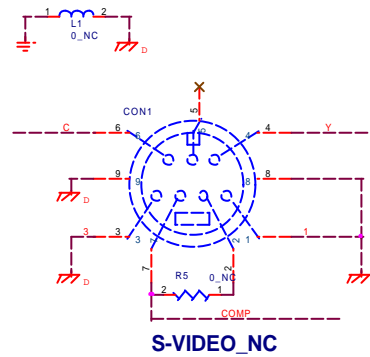
Sheet: 11 of 40

Rev: 3A

S-video



No Stuff for all S_Video Parts



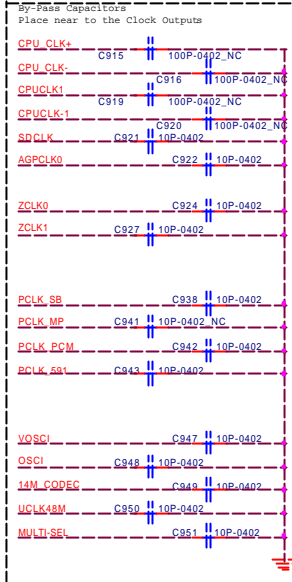
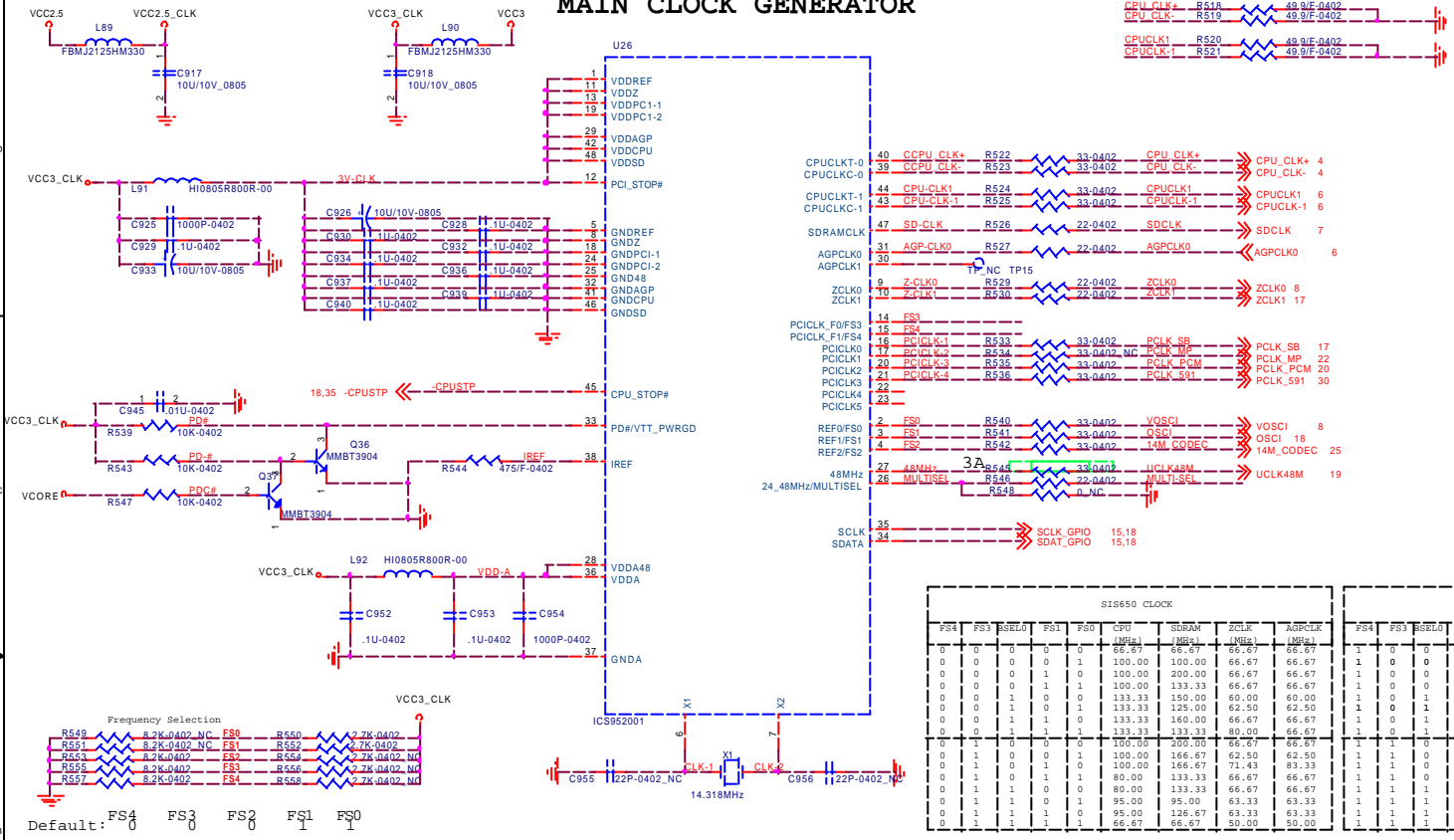
QUANTA COMPUTER

Title: **Hardware Trap & TV-OUT**

Size: Custom | Document Number: VM5 Main Board | Rev: 1A

Date: Thursday, April 22, 2004 | Sheet: 12 of 40

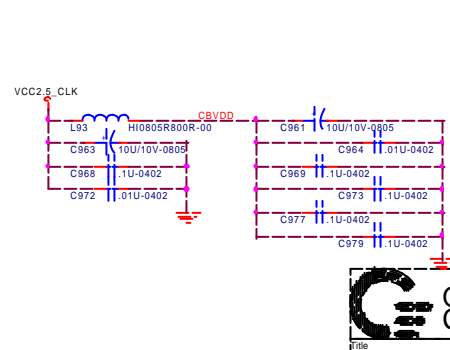
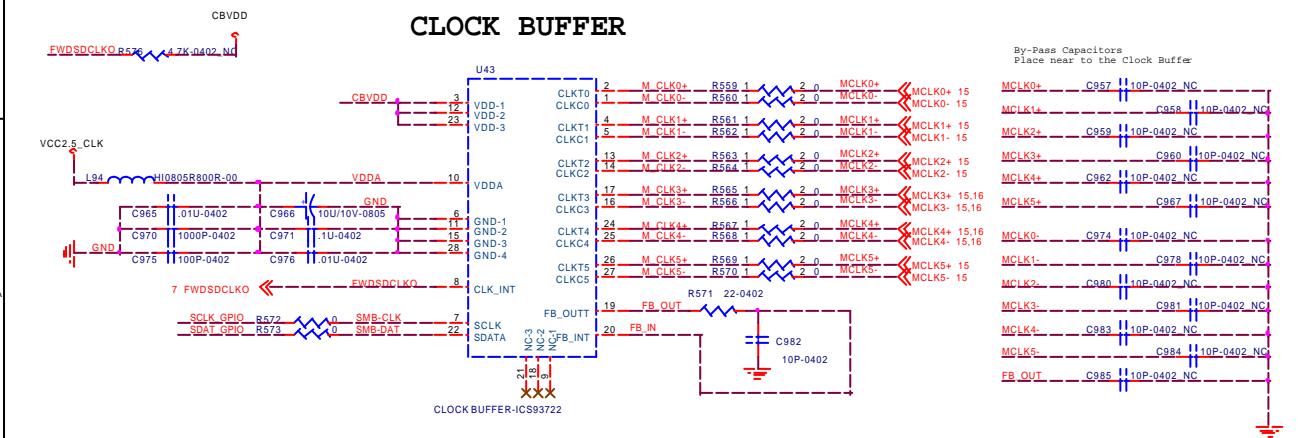
MAIN CLOCK GENERATOR



FS#	FS3	FS#LO	FS1	FS0	CPU (MHz)	SDRAM (MHz)	ZCLK (MHz)	AGPCLK (MHz)
0	0	0	0	0	66.67	66.67	66.67	66.67
0	0	0	1	1	100.00	100.00	66.67	66.67
0	0	1	0	1	100.00	200.00	66.67	66.67
0	0	1	1	1	100.00	133.33	66.67	66.67
0	0	1	0	0	133.33	150.00	60.00	60.00
0	0	1	1	0	133.33	125.00	62.50	62.50
0	0	1	1	1	133.33	150.00	66.67	66.67
0	1	0	0	0	100.00	200.00	66.67	66.67
0	1	0	1	0	100.00	166.67	62.50	62.50
0	1	0	1	1	100.00	166.67	75.43	83.33
0	1	1	0	0	80.00	133.33	66.67	66.67
0	1	1	0	1	80.00	133.33	66.67	66.67
0	1	1	1	0	95.00	95.00	63.33	63.33
0	1	1	1	1	95.00	126.67	63.33	63.33
0	1	1	1	1	66.67	66.67	50.00	50.00

FS#	FS3	FS#LO	FS1	FS0	CPU (MHz)	SDRAM (MHz)	ZCLK (MHz)	AGPCLK (MHz)
1	0	0	0	0	105.00	140.00	70.00	70.00
1	0	0	1	1	100.90	100.90	67.27	67.27
1	0	1	0	1	108.00	144.00	72.00	72.00
1	0	1	1	1	100.90	134.53	67.27	67.27
1	0	1	0	0	112.00	149.33	74.67	74.67
1	0	1	1	0	133.33	100.00	66.67	66.67
1	0	1	1	1	133.33	133.33	66.67	66.67
1	1	0	0	0	100.00	133.00	80.00	66.67
1	1	0	1	0	100.00	100.00	80.00	66.67
1	1	0	1	1	100.00	166.67	83.33	62.50
1	1	1	0	0	133.33	160.00	80.00	66.67
1	1	1	0	1	100.00	133.00	100.00	66.67
1	1	1	1	0	100.00	100.00	100.00	66.67
1	1	1	1	1	100.00	166.67	100.00	62.50
1	1	1	1	1	133.33	160.00	100.00	66.67

CLOCK BUFFER



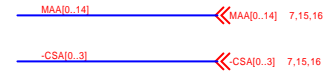
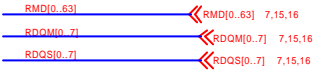
QUANTA COMPUTER

Title: **MAIN CLOCK GENERATOR & BUFFER**

Size: Custom Document Number: **VM5 Main Board** Rev: 3A

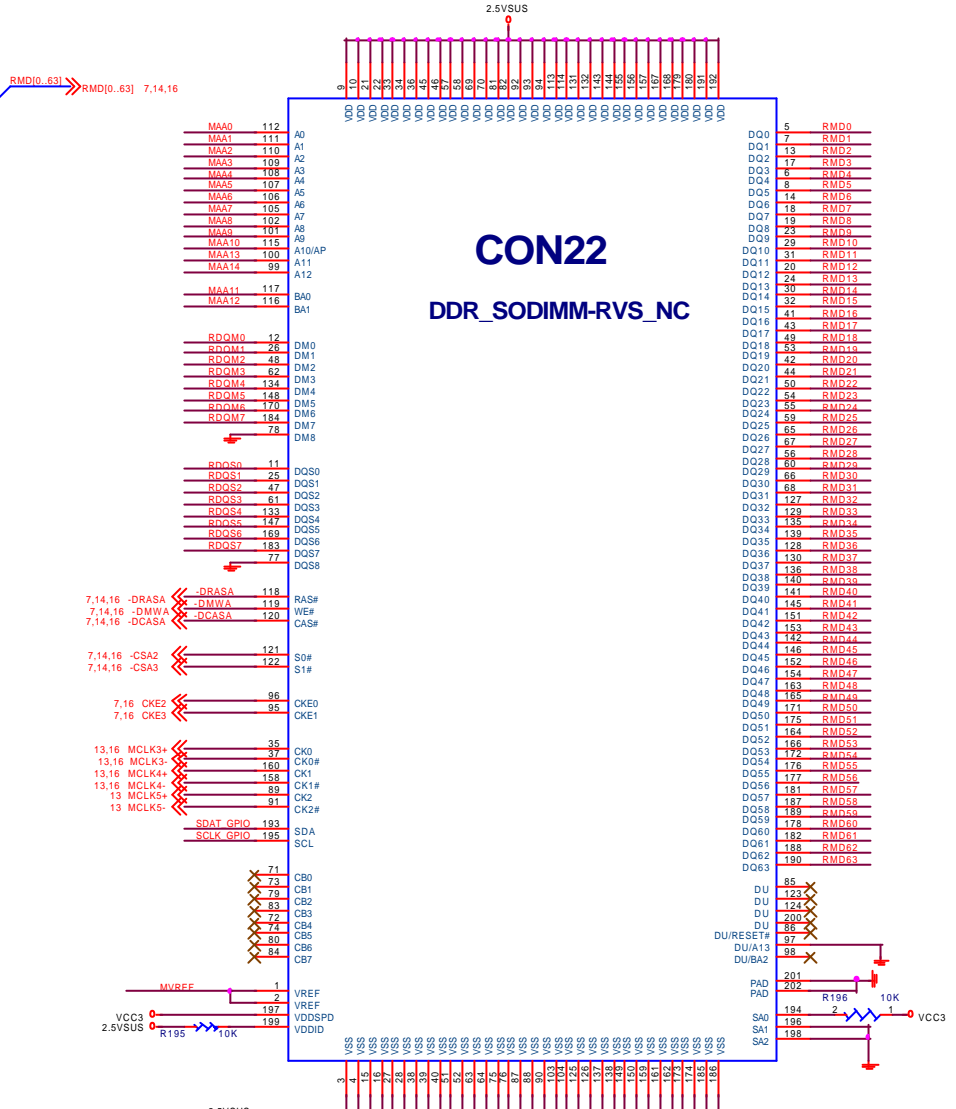
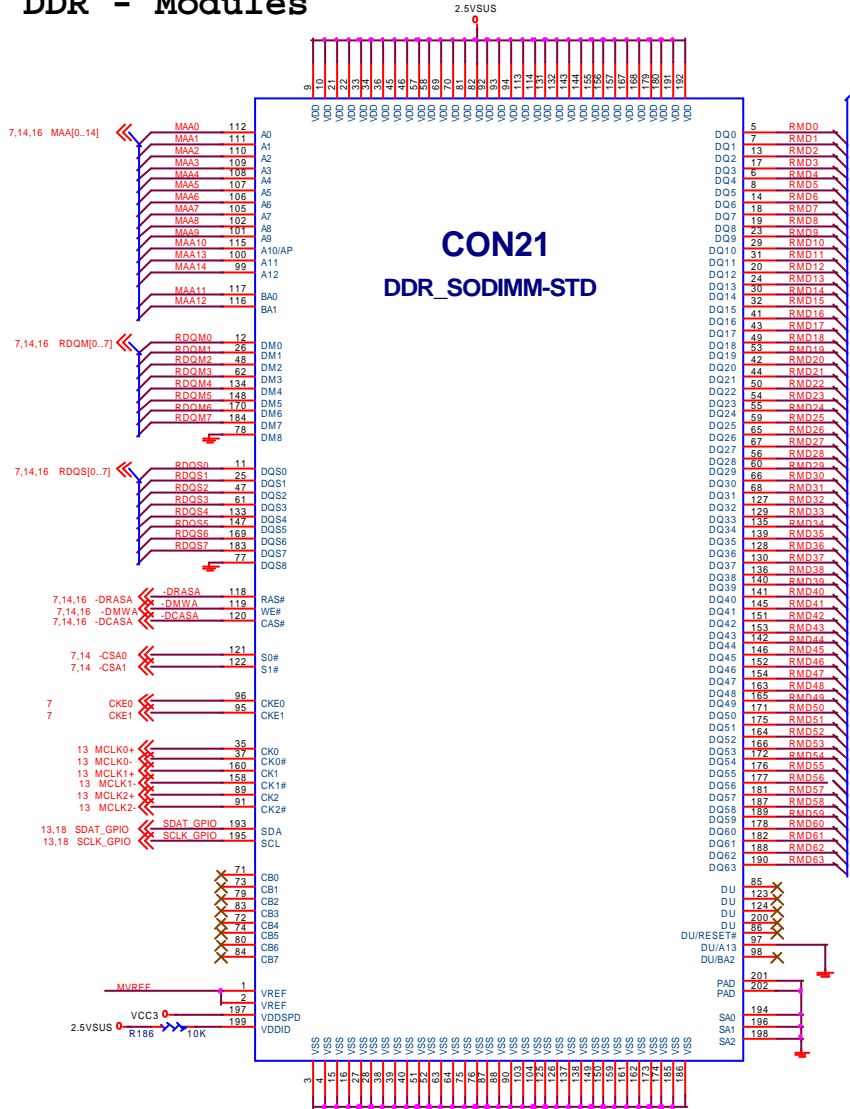
Date: Thursday, April 22, 2004 Sheet: 13 of 40

DDR TERMINATOR



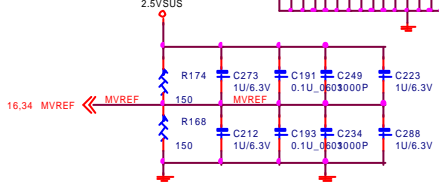
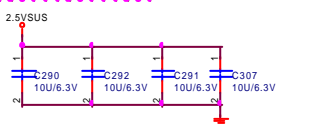
Title DDR Terminator			Rev 1A
Size Custom	Document Number VM5 Main Board		
Date Thursday, April 22, 2004	Sheet 14	of 40	

DDR - Modules

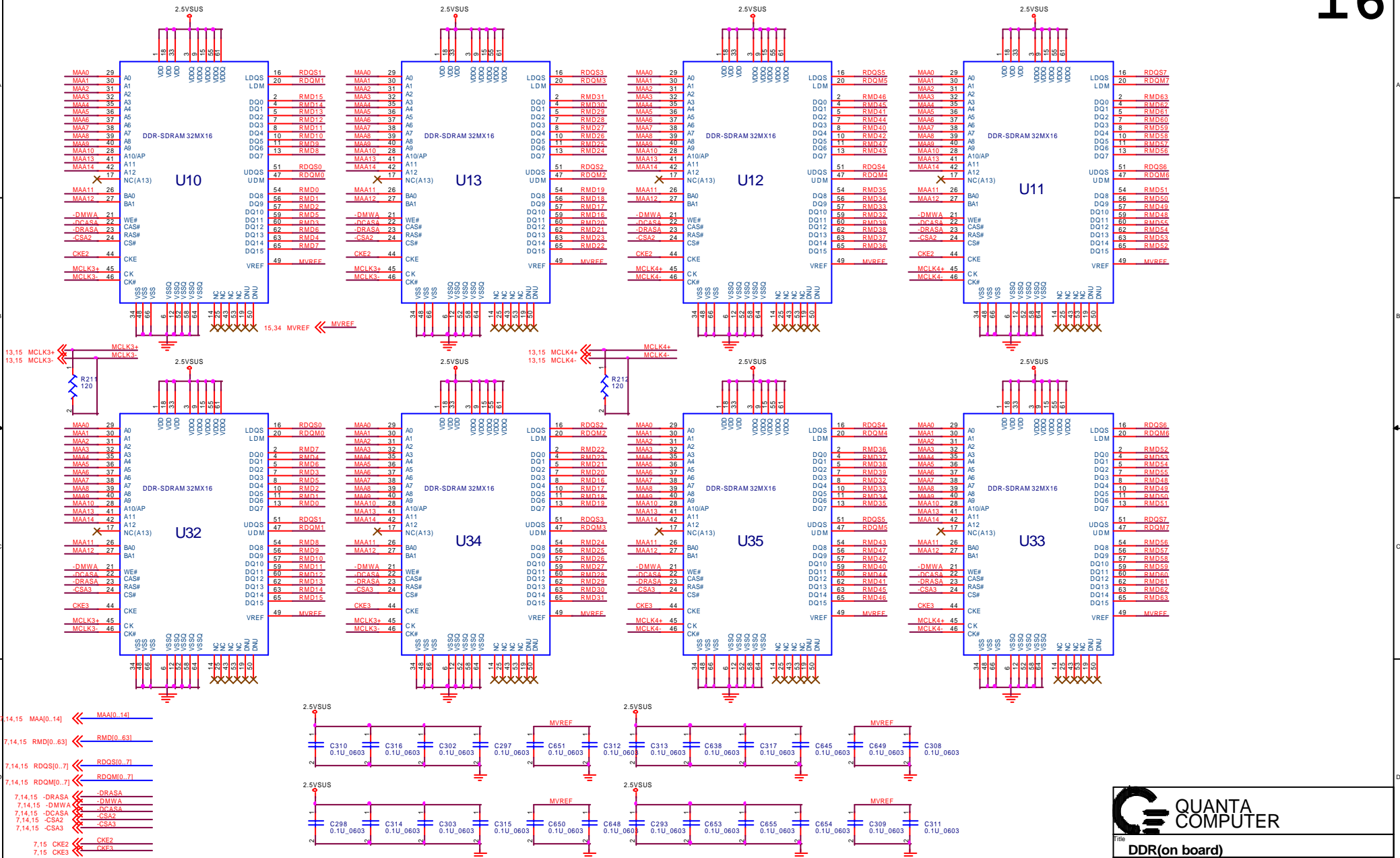


CON21
DDR_SODIMM-STD

CON22
DDR_SODIMM-RVS_NC



Title			Rev
Memory - SODIMM			1A
Size	Document Number		
Custom	VM5 Main Board		
Date:	Thursday, April 22, 2004	Sheet	16 of 40

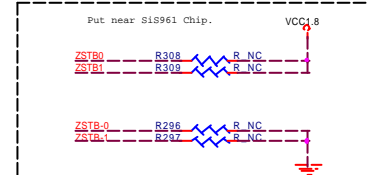
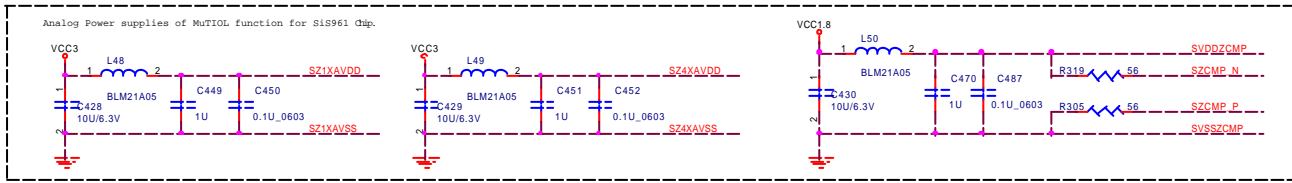
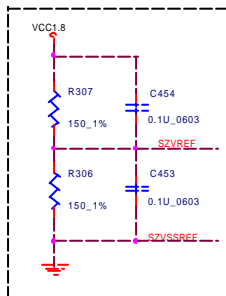
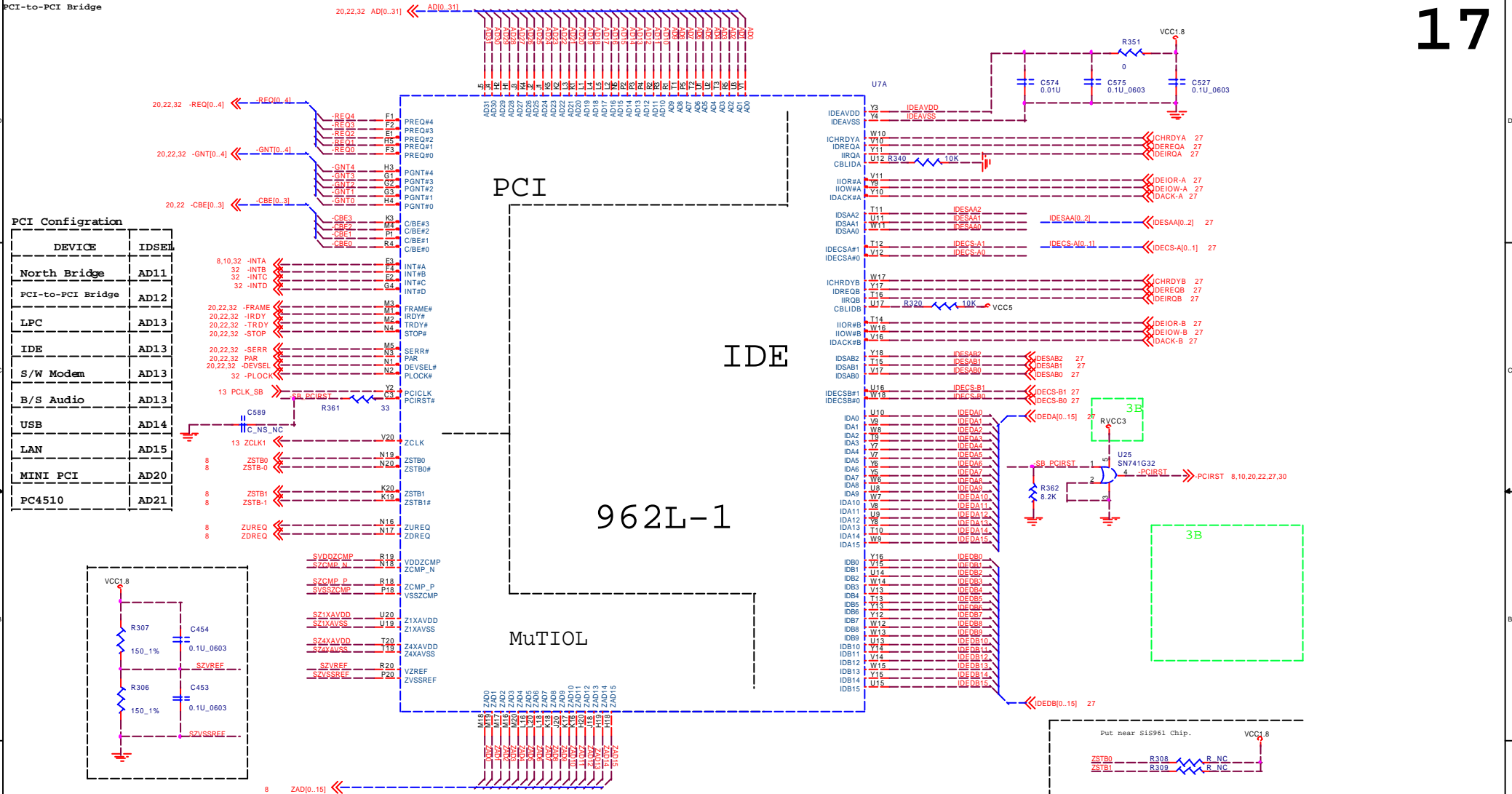


13.15 MCLK3+
13.15 MCLK3-

7.14.15 MAA[0..14] ← MAA[0..14]
7.14.15 RMD[0..63] ← RMD[0..63]
7.14.15 RDQS[0..7] ← RDQS[0..7]
7.14.15 RDMQ[0..7] ← RDMQ[0..7]
7.14.15 -DRASA ← -DRASA
7.14.15 -DMWA ← -DMWA
7.14.15 -DCASA ← -DCASA
7.14.15 -CSA2 ← -CSA2
7.14.15 -CSA3 ← -CSA3
7.15 CEK2 ← CEK2
7.15 CEK3 ← CEK3

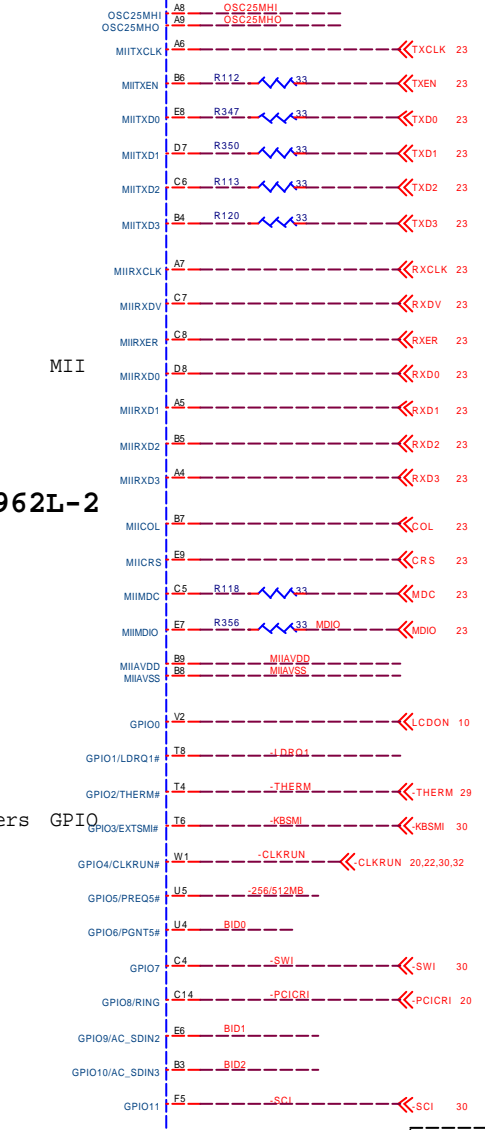
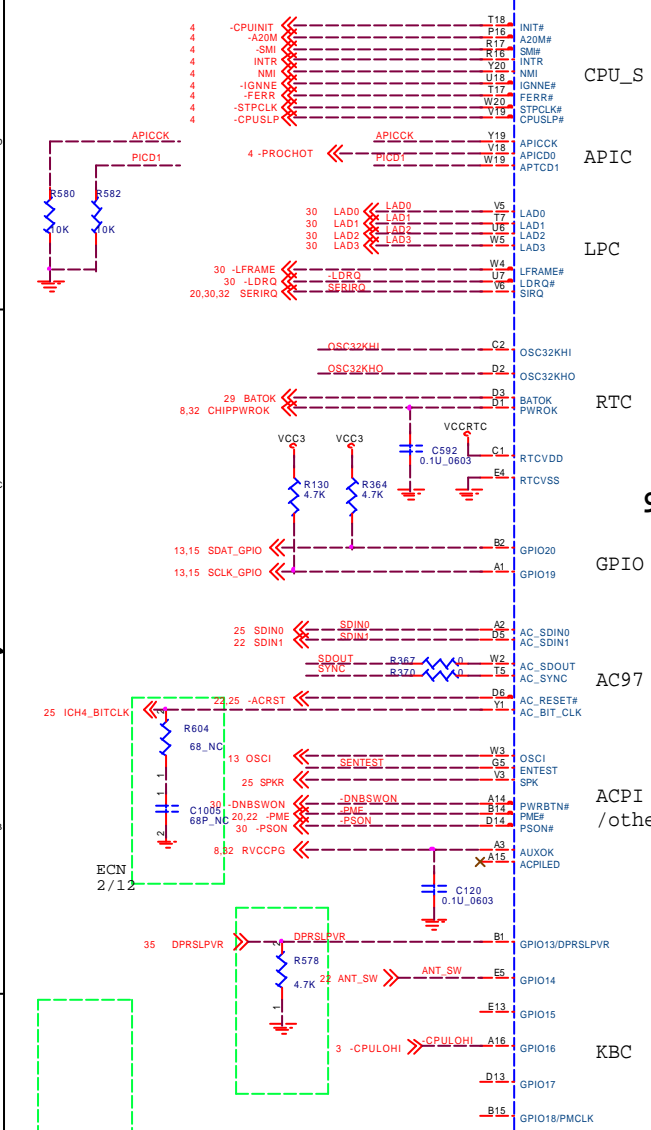
QUANTA COMPUTER

Title: **DDR(on board)**
 Size: Document Number
 Cust: **VM5 Main Board**
 Date: Thursday, April 22, 2004 Sheet 16 of 40 Rev 1A



Title			NB-SIS 962L-1		
Size	Document Number	Rev			
Custom	VM5 Main Board	1A			
Date:	Thursday, April 22, 2004	Sheet	17	of	40

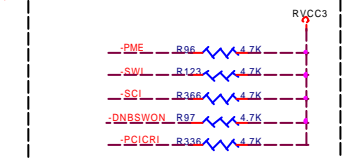
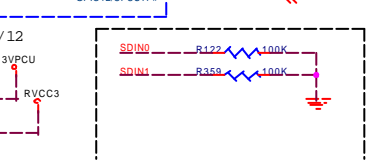
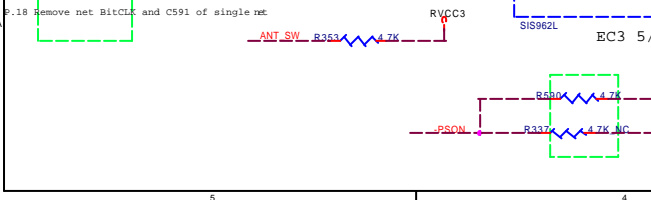
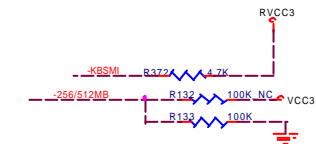
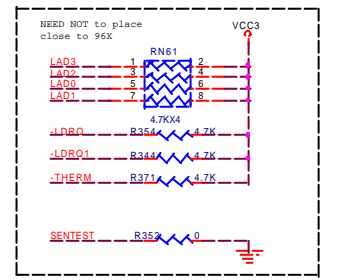
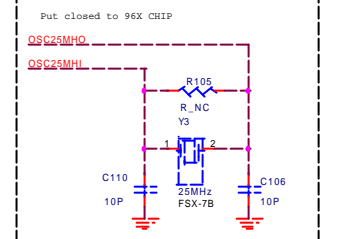
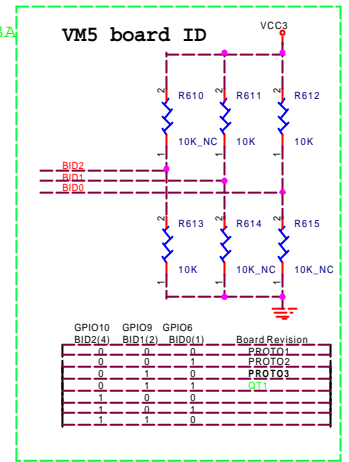
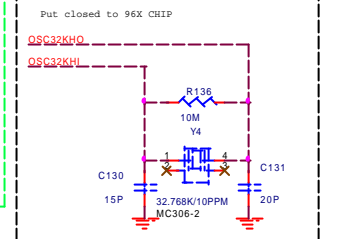
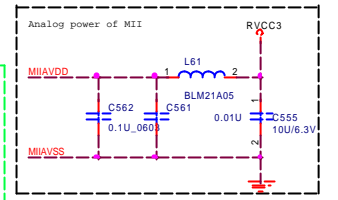
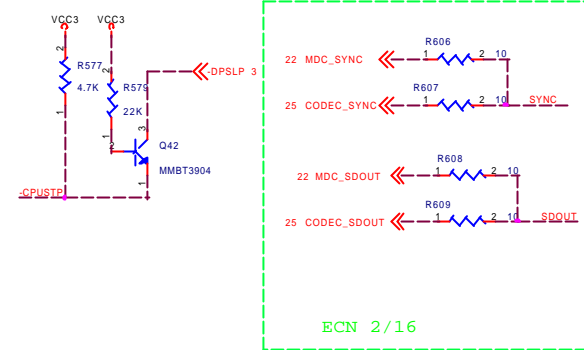
Programmable on-die pull-high strength for CPU_S
(Infinite, 150, 110, 56 Ohm)



NB Hardware Trap has internal pull-low in Si5740 chip for DRAM_SEL, CPUDLENN, TMODE0, TMODE1, TMODE2 signals.
 SB Hardware Trap For Si5962
 For Si5962

25 SPKR
 SDOUT
 19 -OC4
 19 -OC5

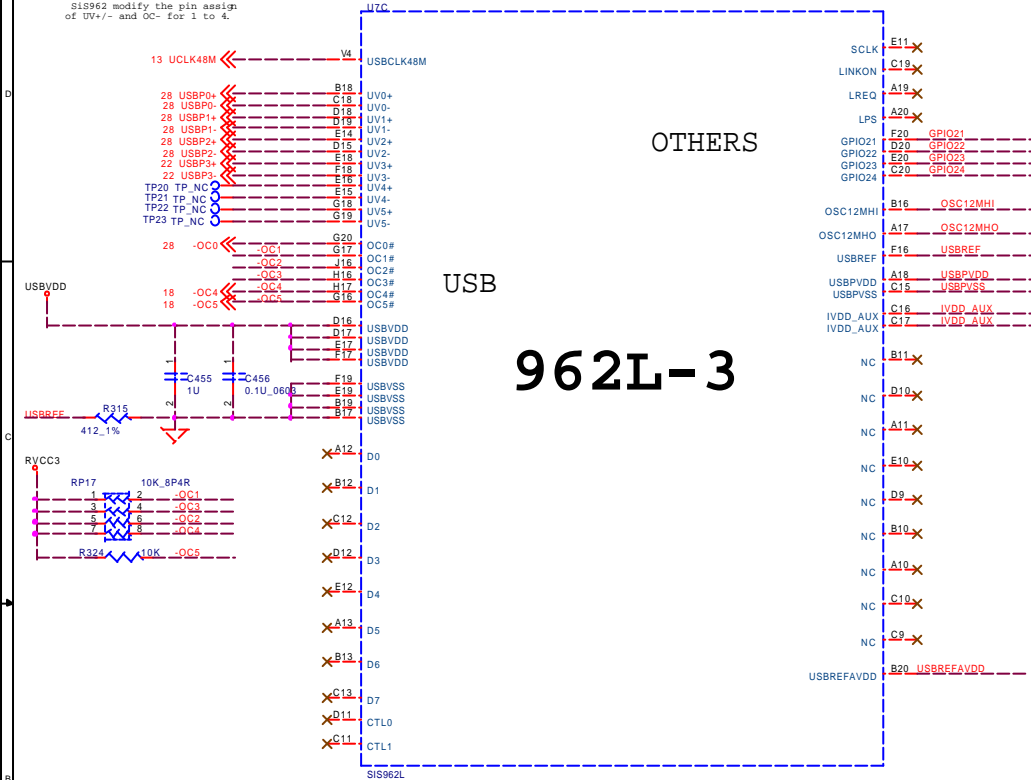
SB Hardware Trap has internal pull-low in Si5962 chip for SPKR, SDOUT signals.
 -OC4, -OC5 Need have pullhigh 10K to VCC3_DUAL in USB.
 If no use of -OC4, -OC5 in USB must add pullhigh on board.



QUANTA COMPUTER

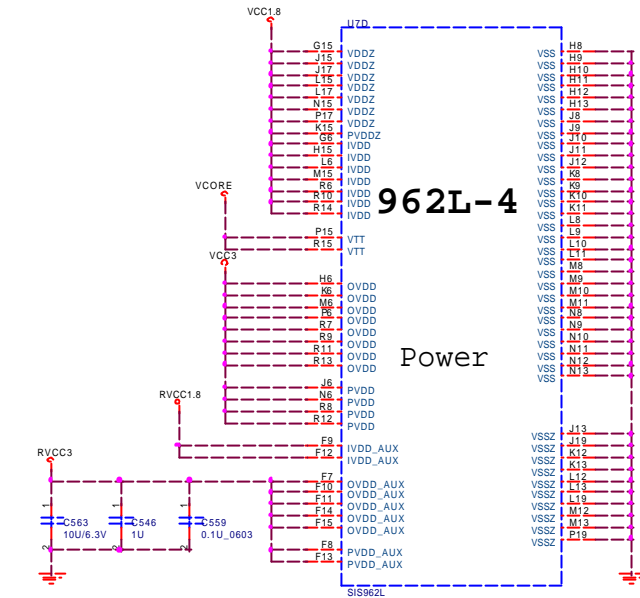
Title: NB-SIS 962L-2
 Size: Document Number
 Custom: VM5 Main Board
 Date: Thursday, April 22, 2004
 Sheet: 18 of 40
 Rev: 3A

For three USB controllers
SIS962 modify the pin assign
of UV+/- and OC- for 1 to 4.



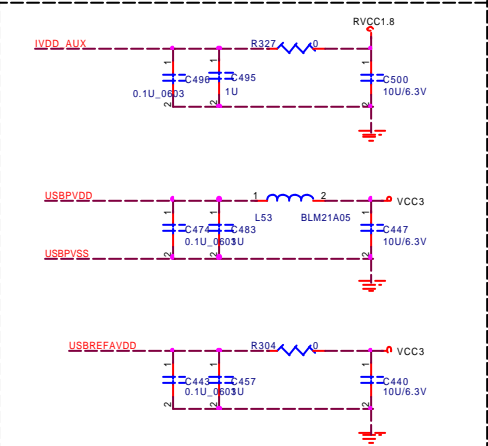
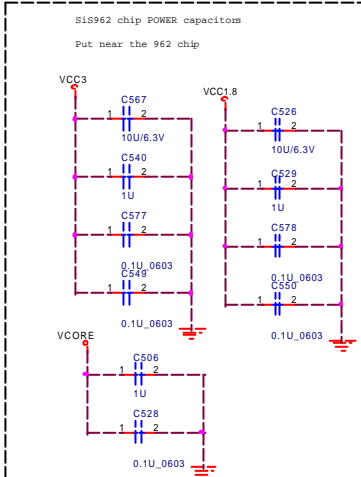
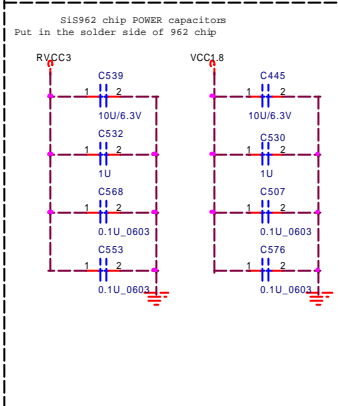
OTHERS

962L-3



962L-4

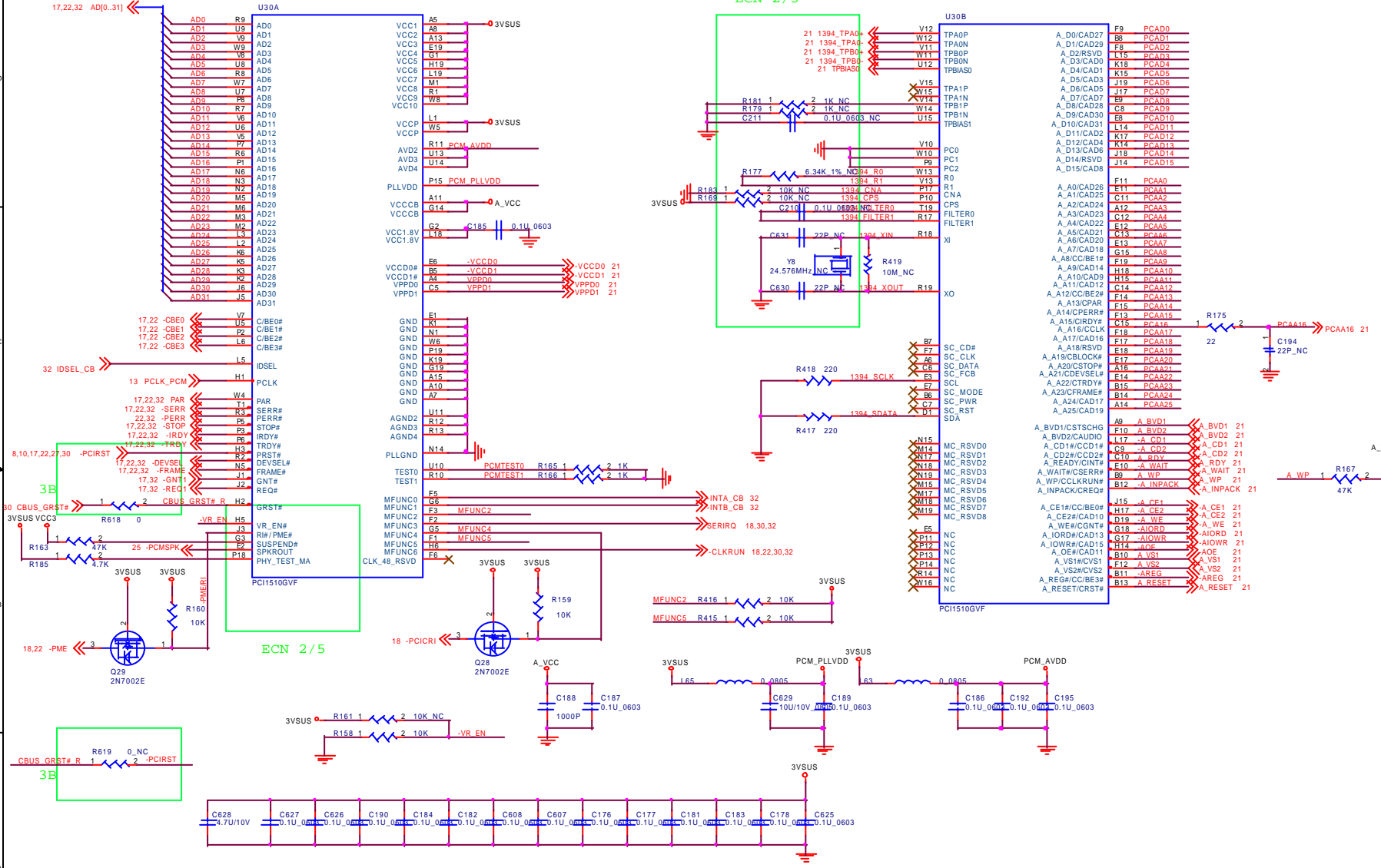
Power



Title		NB-SIS 962L-3	Rev	1A
Size	Document Number			
Custom	VM5 Main Board			
Date	Thursday, April 22, 2004	Sheet	10	of 40

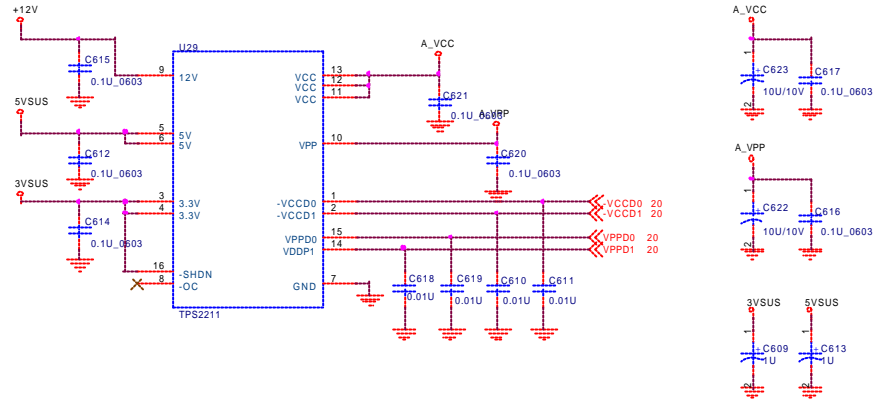
PCAD[0..15] 21
PCAA[0..25] 21

ECN 2/5

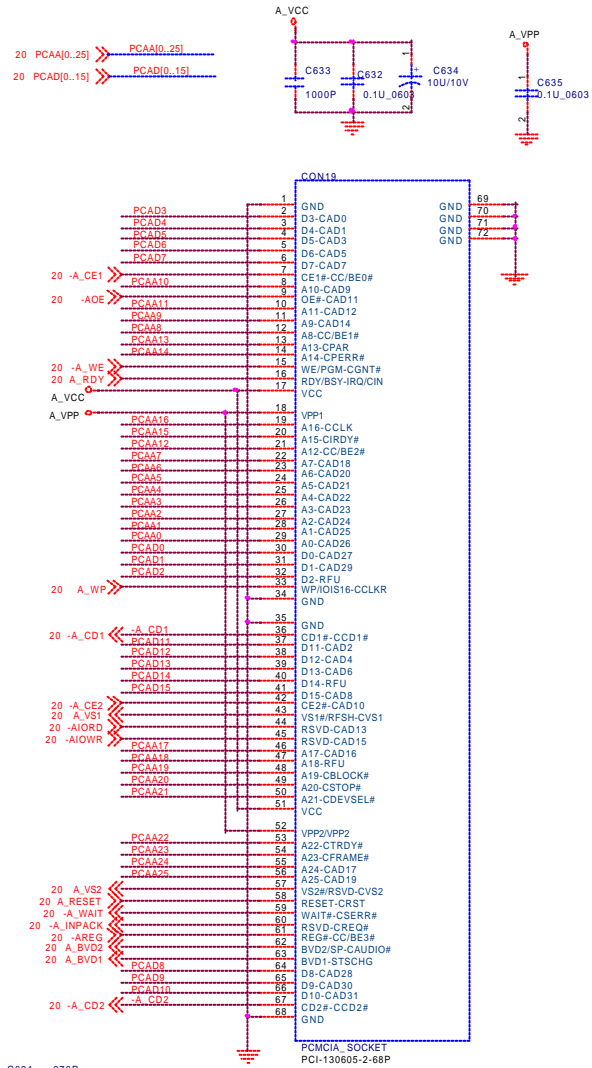


Title PCI1510GVF			Rev 3A
Size Custom	Document Number VM5 Main Board		
Date Thursday, April 22, 2004	Sheet 20	of 40	

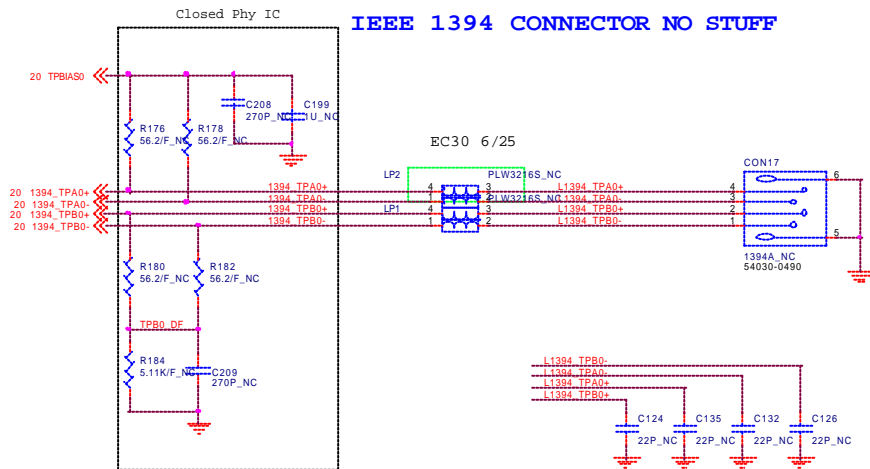
PCMCIA POWER SWITCH

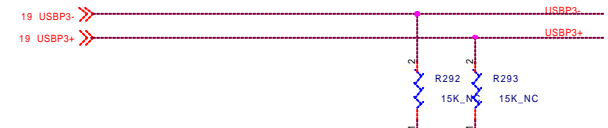
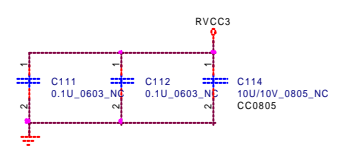
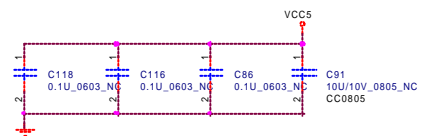
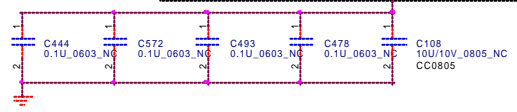
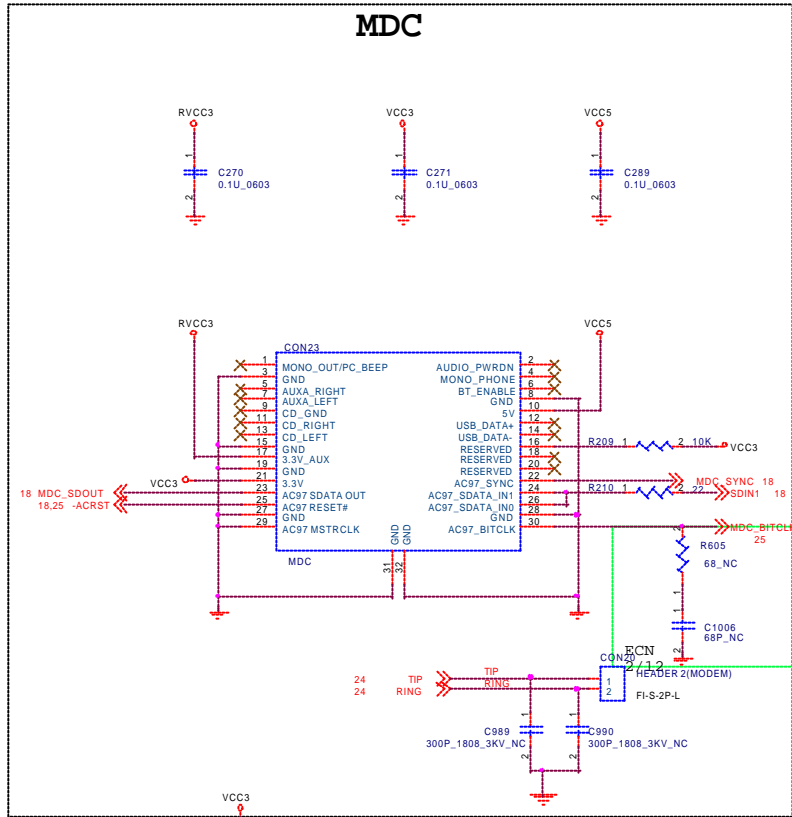
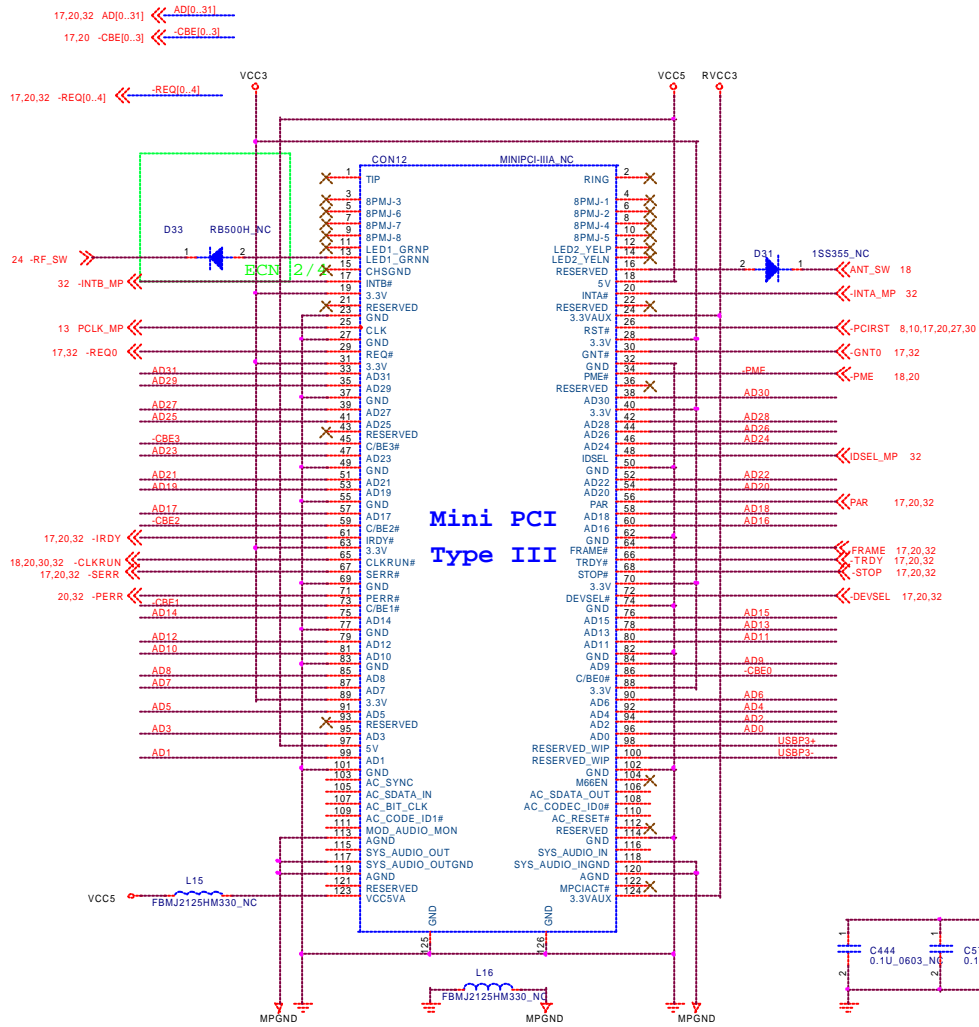


PCMCIA SOCKET

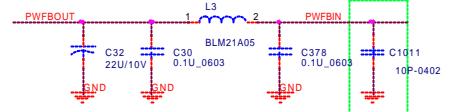
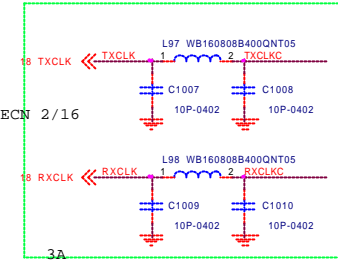
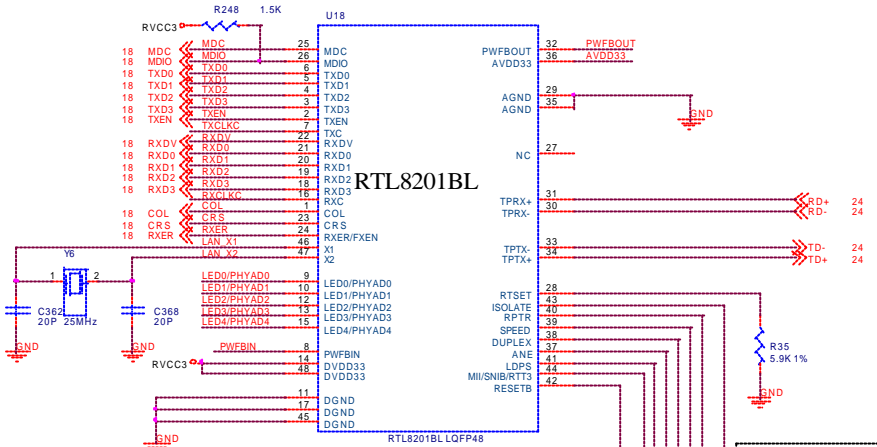


IEEE 1394 CONNECTOR NO STUFF





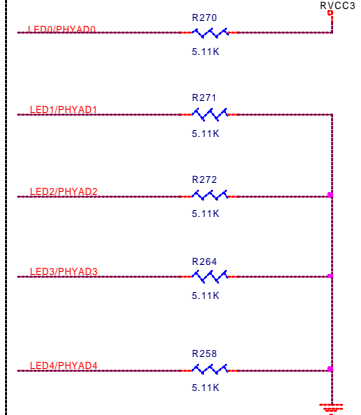
Title		Mini PCI & MDC	Rev	2A
Size	Document Number	VM5 Main Board		
Date	Thursday, April 22, 2004	Sheet	22	of 40



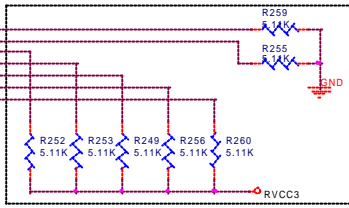
Place C14, C15, L1 close to PWFOUT and place C16 close to PWFBIN.

ECN 2/16

This schematic sets PHY address to 00001b. You could set PHY address from 00001b to 1111b. But the LED polarity must matches the respective PHYAD setting. Refer to datasheet's detailed description.

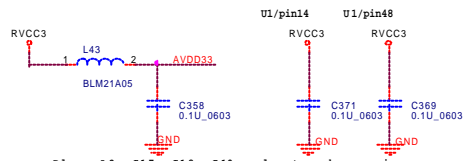


LED0	LED1	LED2	LED3	LED4
Link	Dupx	10Act	100Act	COL



Hardware Configuration network:

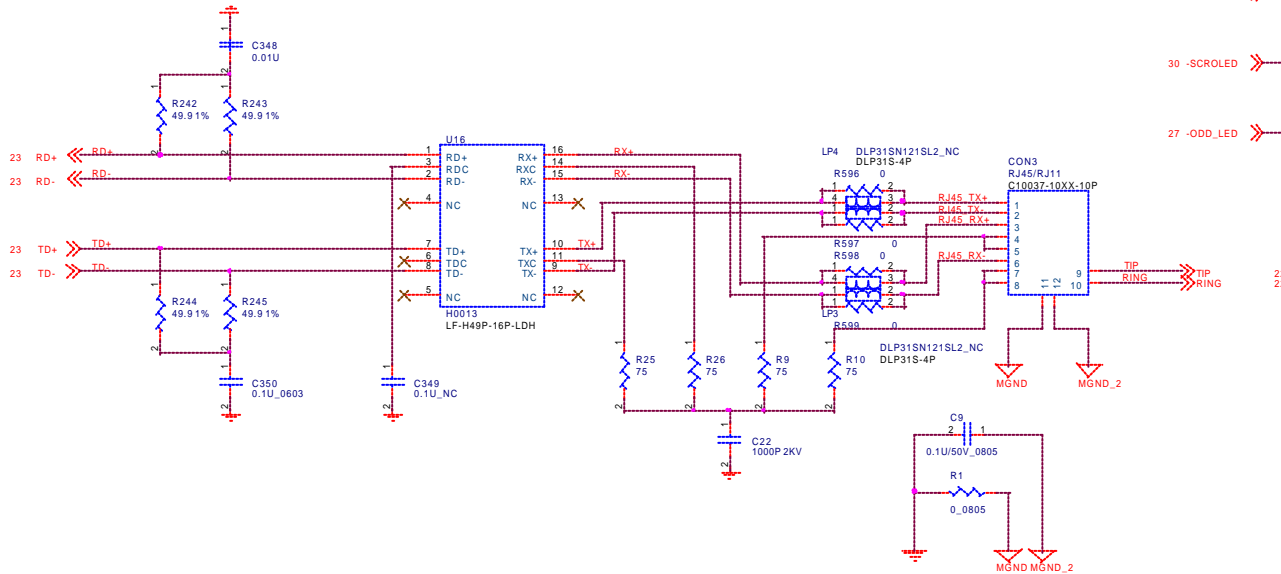
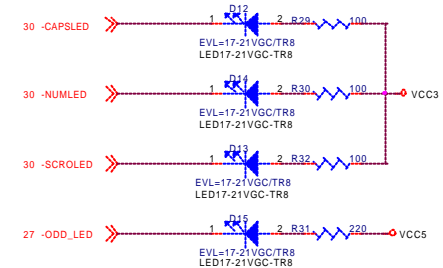
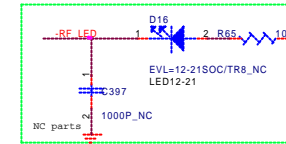
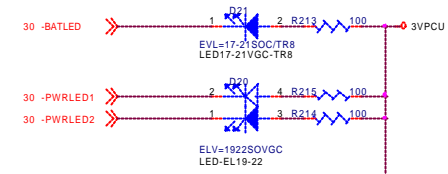
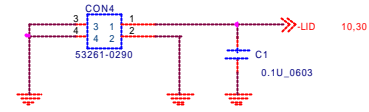
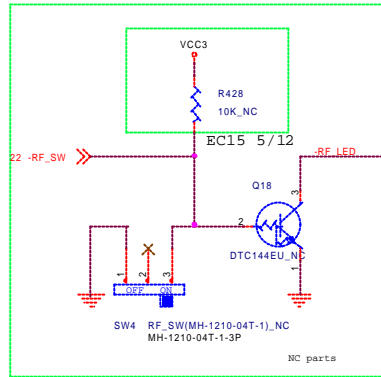
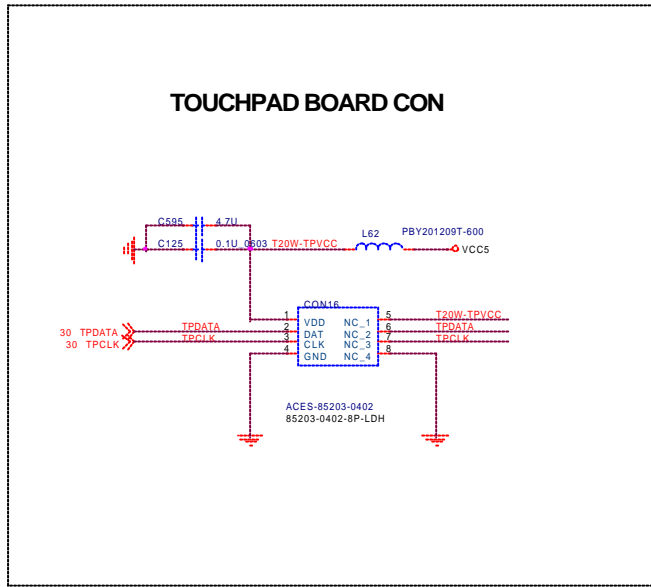
1. This configuration shows
 Enable: Auto negotiation, Full duplex, 100Mbps,
 Link Down n Power Saving, MII interface
 Disable: Isolate, Repeater mode
2. These seven configuration pins could be connected to VDD or GND directly.

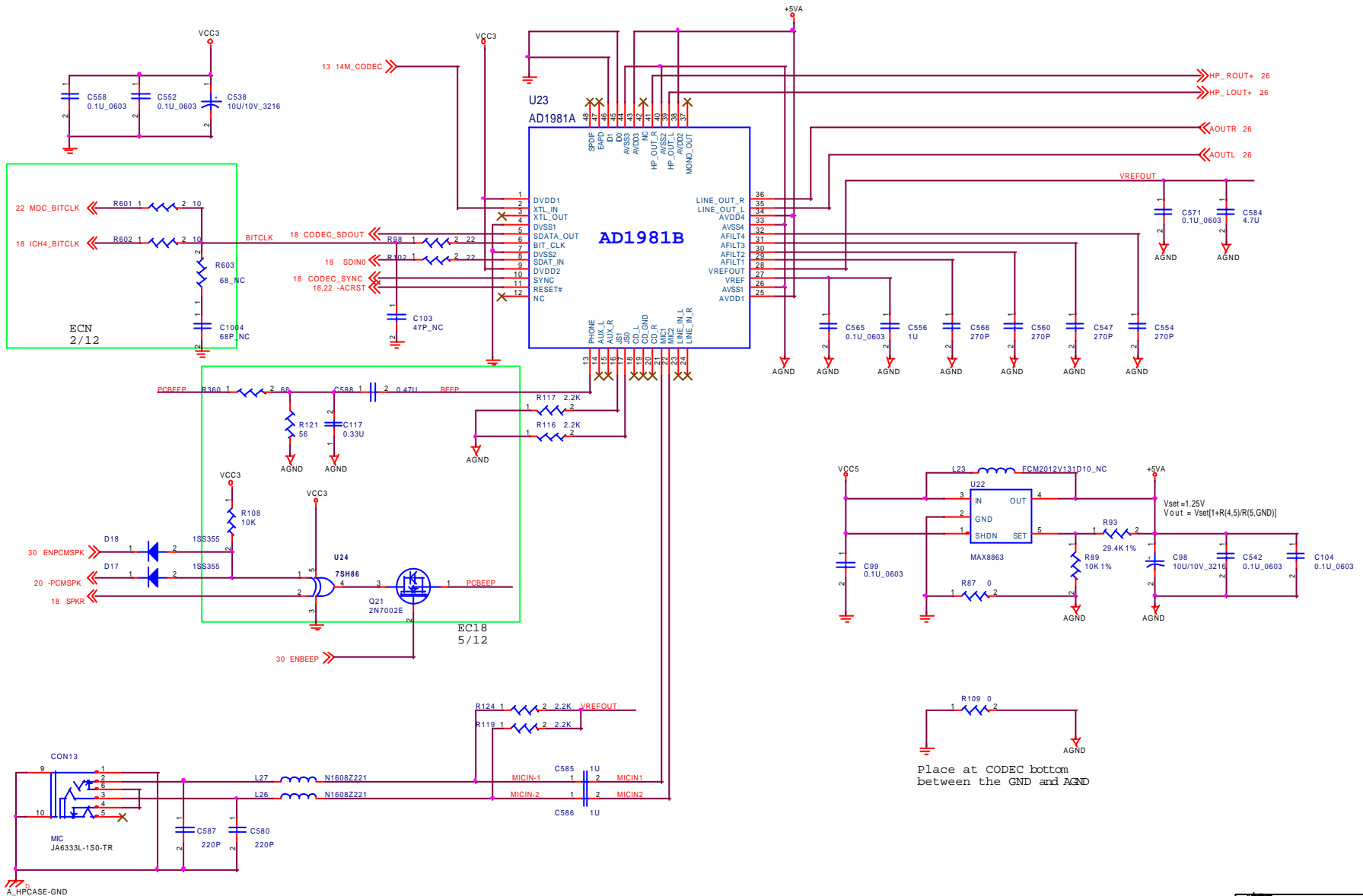


Place L2, C17, C18, C19 as close to each power pin as possible.

LAN PHY RTL8201BL
 Title: LAN PHY RTL8201BL
 Size: Custom
 Date: Thursday, April 22, 2004
 Document Number: VM5 Main Board
 Rev: 3A
 Sheet: 23 of 40

TOUCHPAD BOARD CON



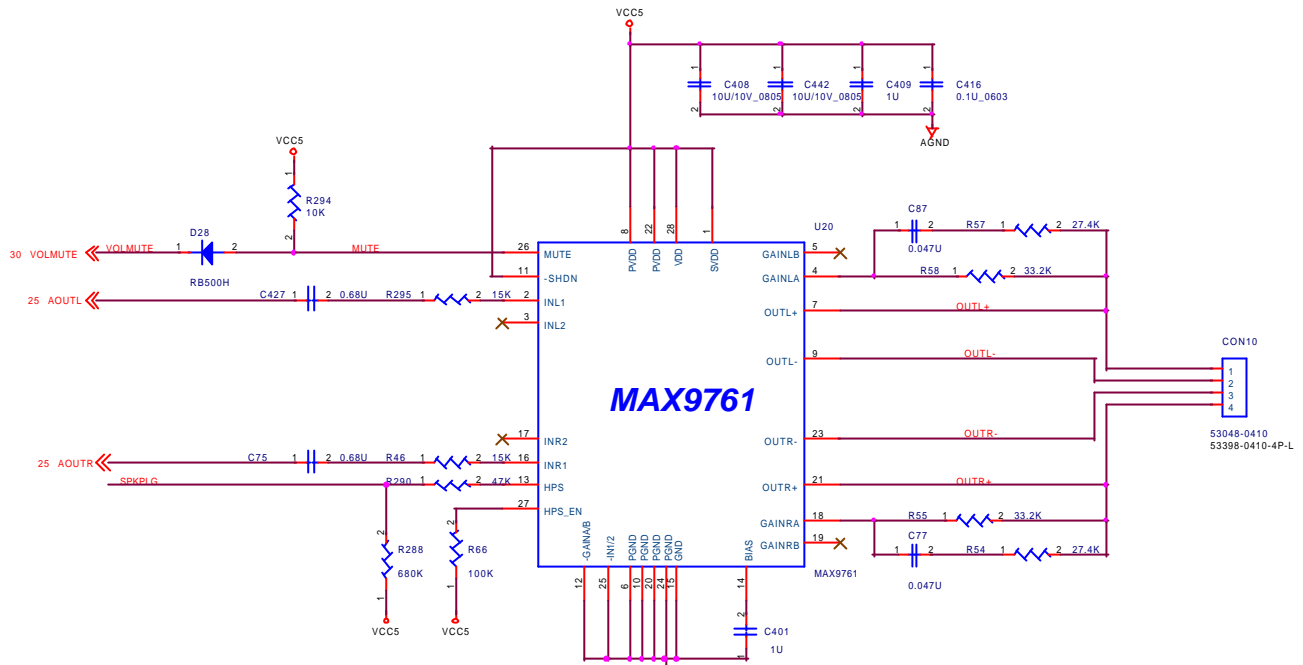


Place at CODEC bottom
between the GND and AGND

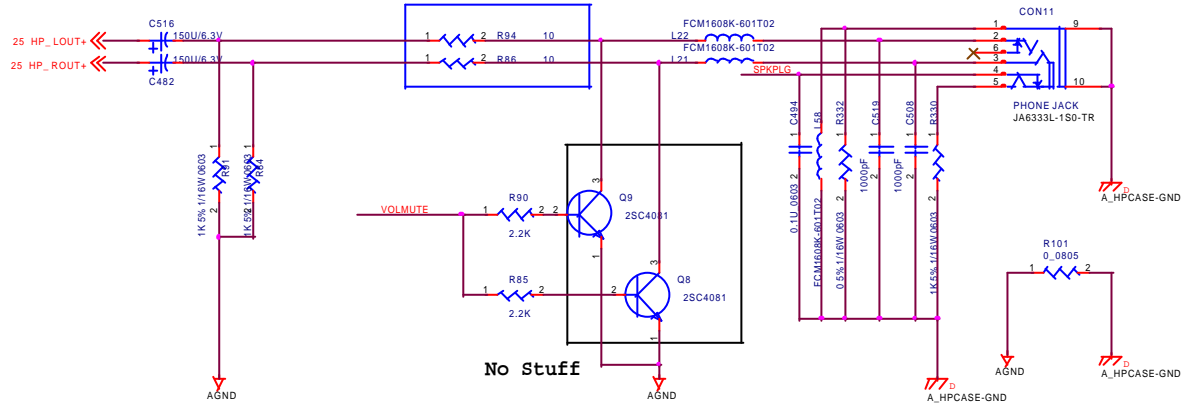
QUANTA COMPUTER

Title: **Audio ADI AD1881B**

Size	Document Number	Rev
Custom	VM5 Main Board	2A
Date: Thursday, April 22, 2004	Sheet 25 of 40	



EC Change for Audio (From 47 ohm to 10 ohm)



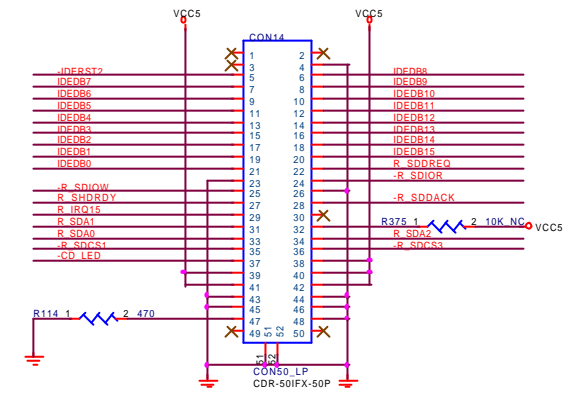
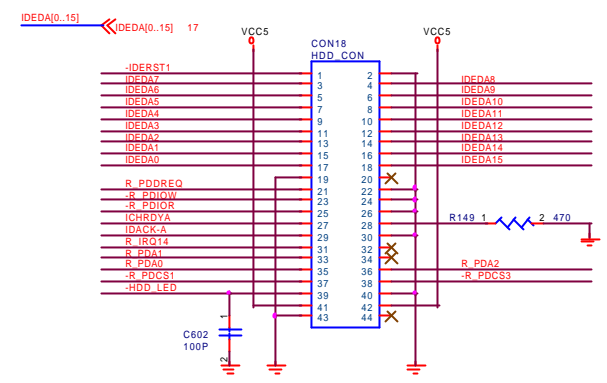
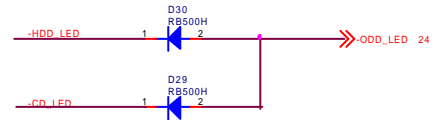
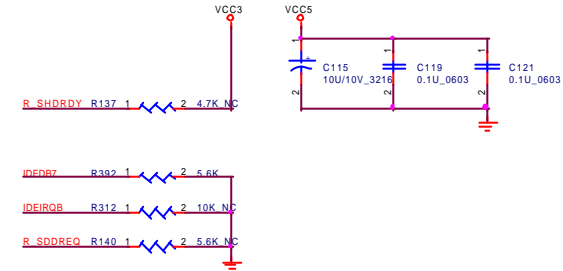
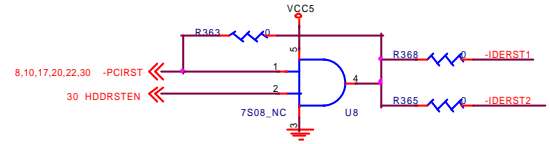
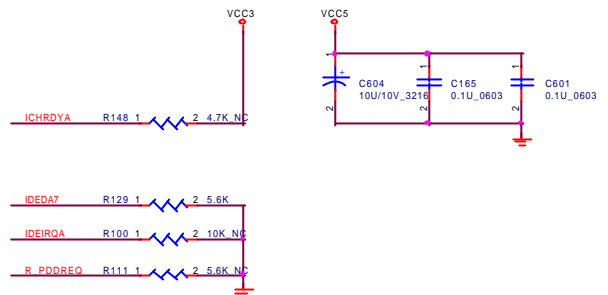
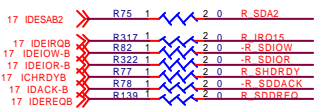
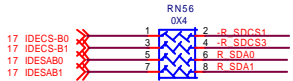
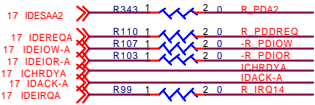
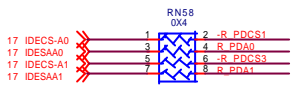
No Stuff

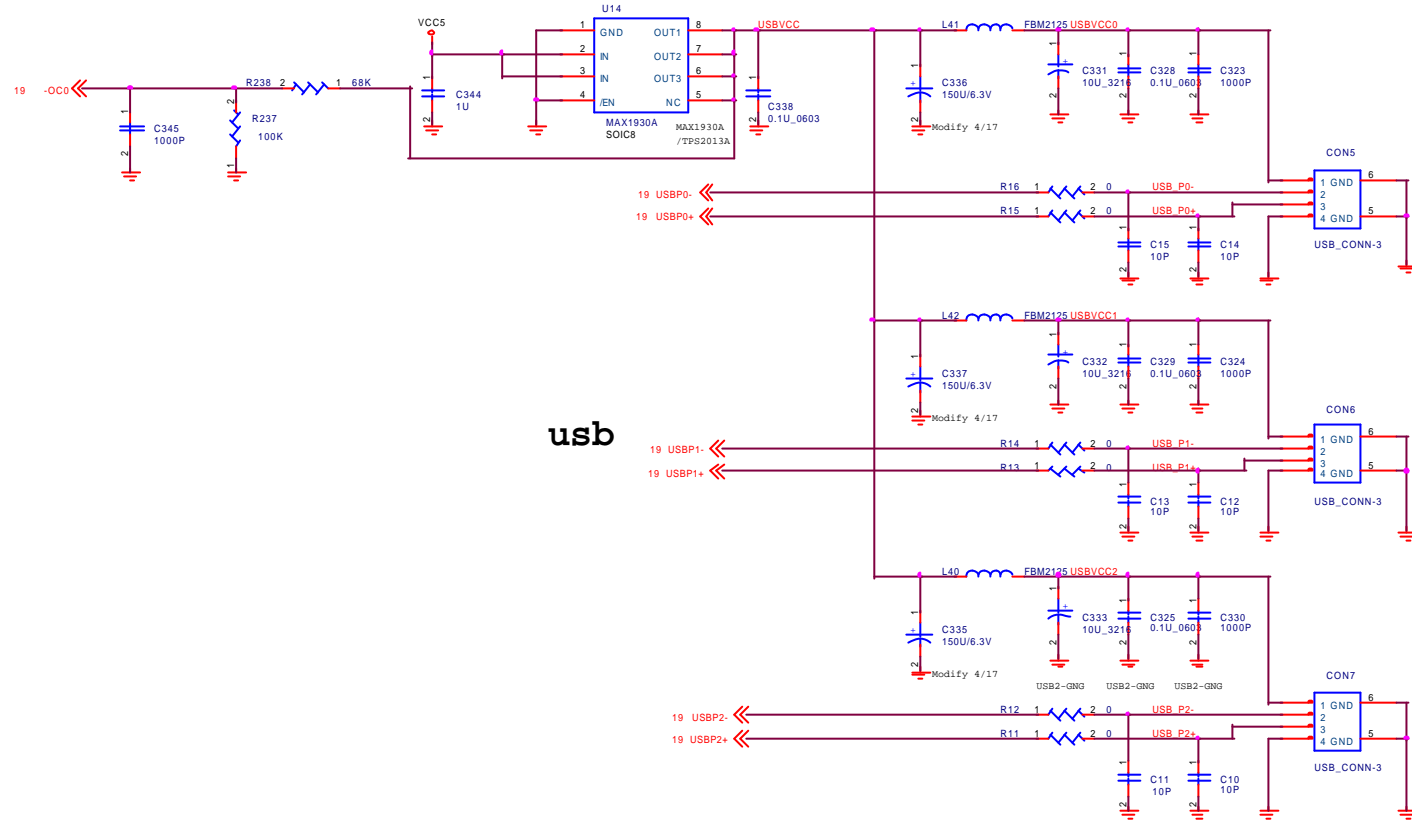
QUANTA COMPUTER


Title: **AUDIO AMP&BUZZER&HPOut**

Size: Custom Document Number: VM5 Main Board Rev: 1A

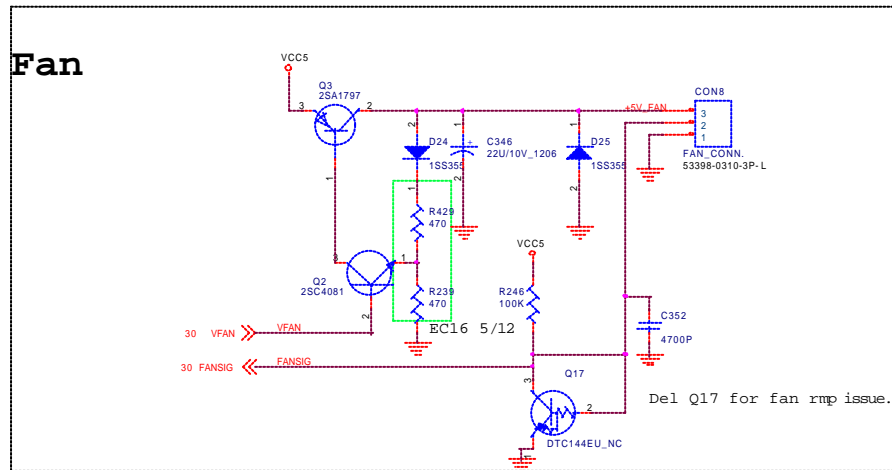
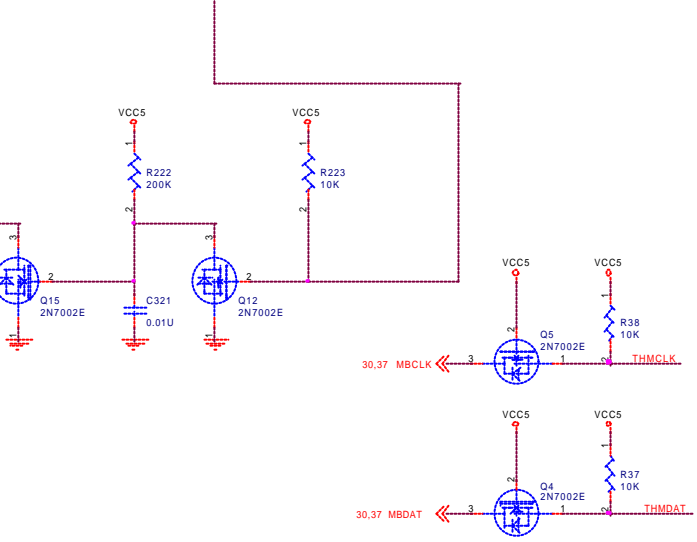
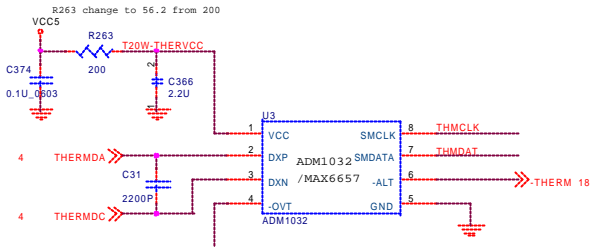
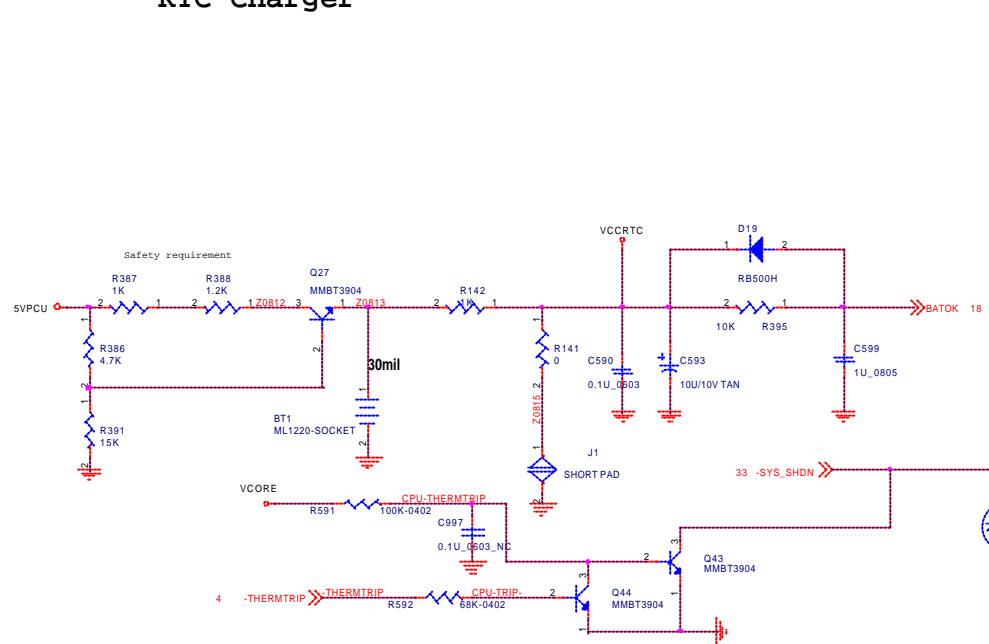
Date: Thursday, April 22, 2004 Sheet: 26 of 40

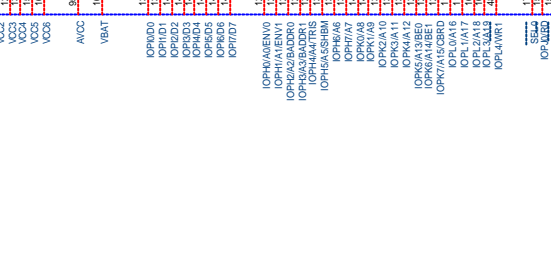
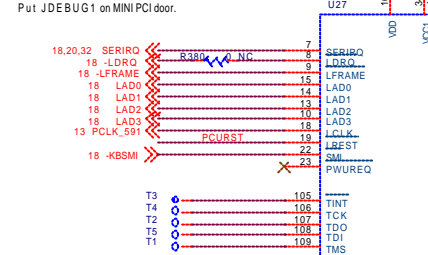
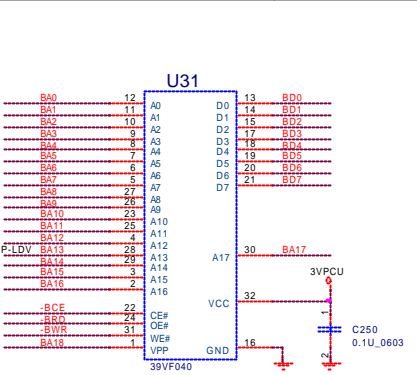
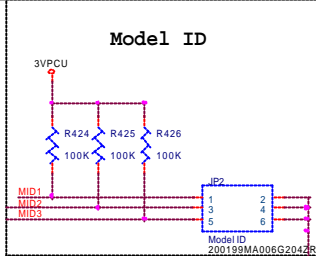
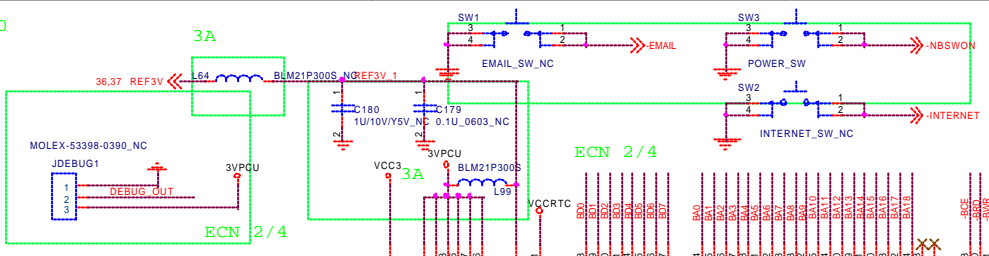




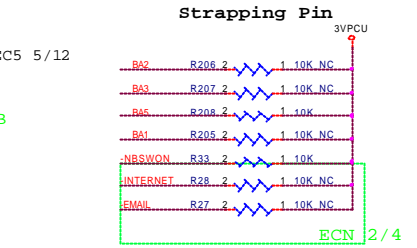
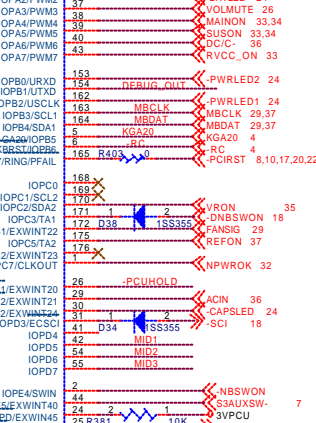
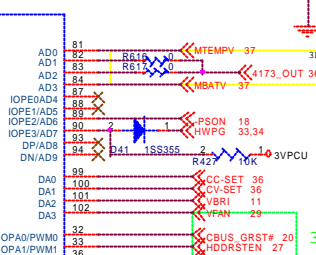
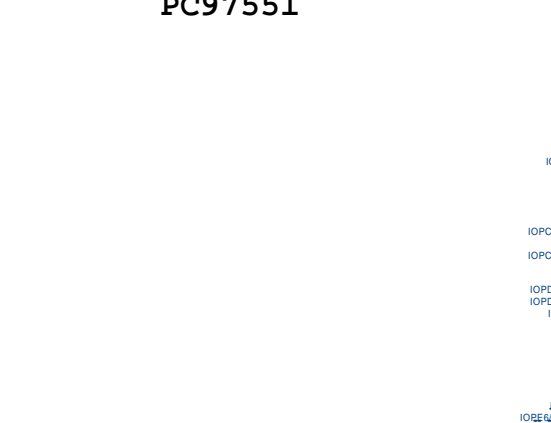
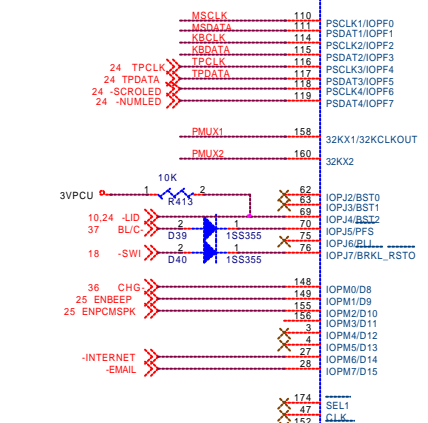
 QUANTA COMPUTER	
Title: USB,FDD Connector	
Size: Custom	Document Number: VM5 Main Board
Date: Thursday, April 22, 2004	Sheet: 28 of 40
	Rev: 1A

RTC Charger





PC97551

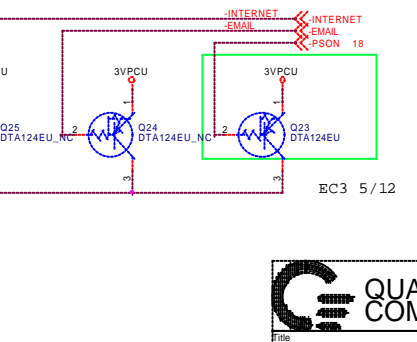
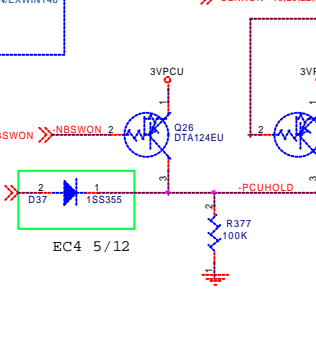
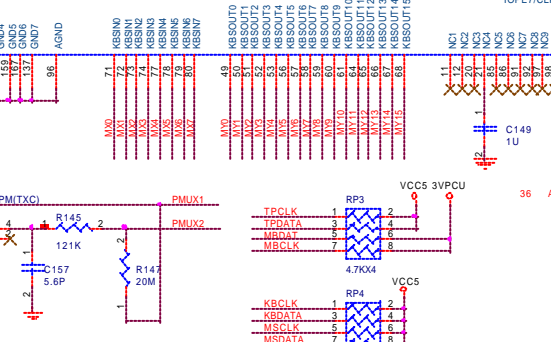
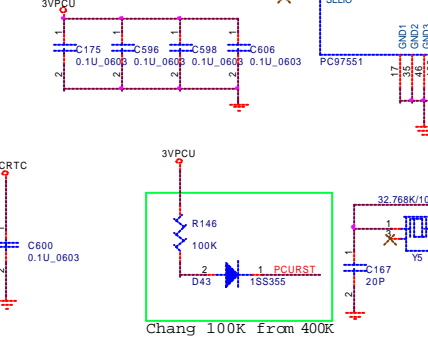


BADDR1-	I/O Address	Index	Data
0 0	2E	2E	2F
0 1	4E	4E	4F
1 0	(HCFGBAH, HCFGBAL)	(HCFGBAH, HCFGBAL)	1
1 1	Reserved		

B A2 : BADDR0
B A3 : BADDR1

Environment	ENV0(BA0)	ENV1(BA1)	TRIS(BA4)
IRE	0	0	0
OR0	0	1	0
DEV	1	0	0
PROG	1	1	0

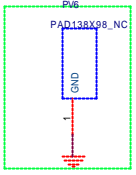
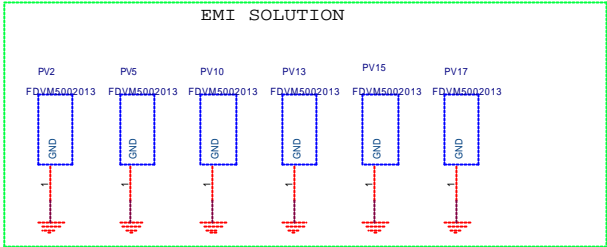
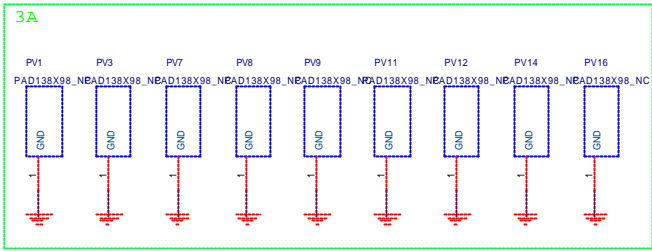
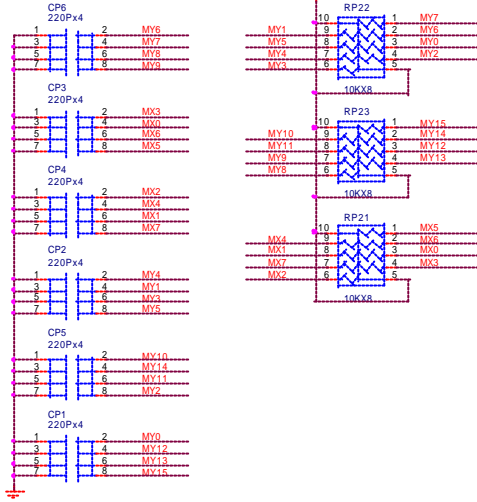
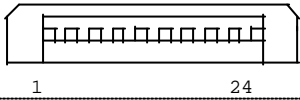
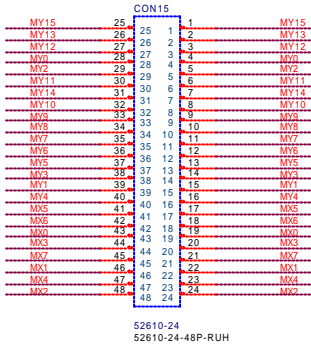
B A0 : ENV0
B A1 : ENV1
B A4 : TRIS(If =1 will tristate all I/O pins)
B A5 : SHRM(If =1 Enable share host BIOS memory)



Title			PCU NS87591L
Size	Document Number	Rev	3A
Custom	VM5 Main Board		
Date	Thursday, April 22, 2004	Sheet	30 of 40

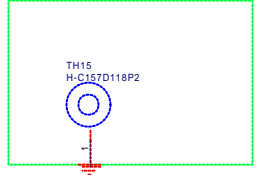
Int. keyboard

MY[0..7] 30
MY[0..15] 30

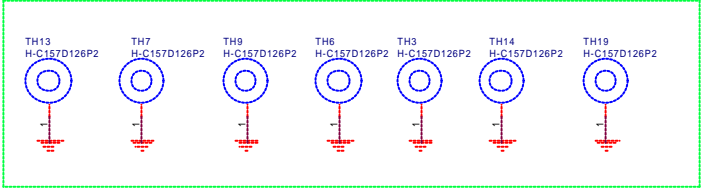


Change P/N

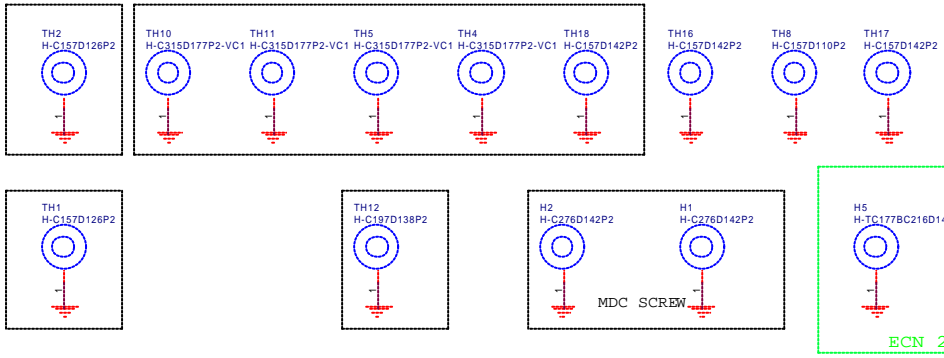
Enlarge holes dim. from 2.8 to 3.0



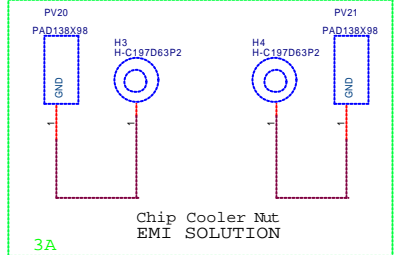
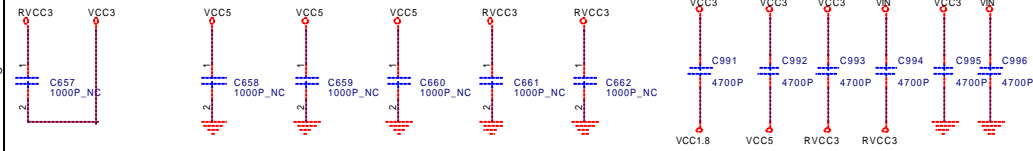
Enlarge holes dim. from 2.8 to 3.2



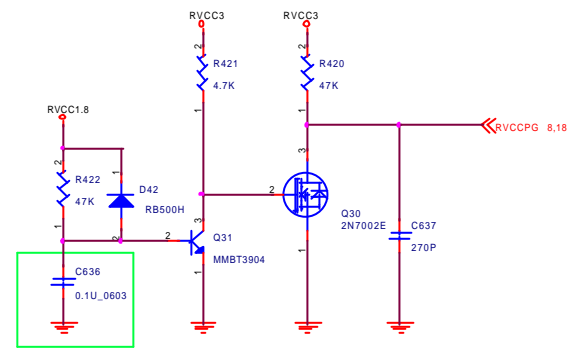
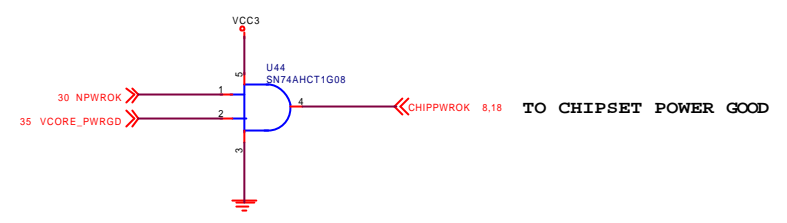
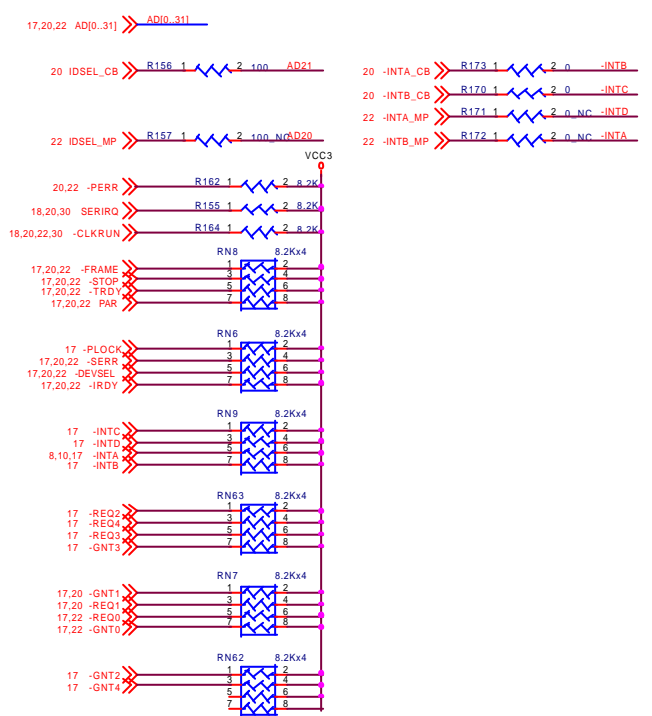
Screw



ECN 2/4

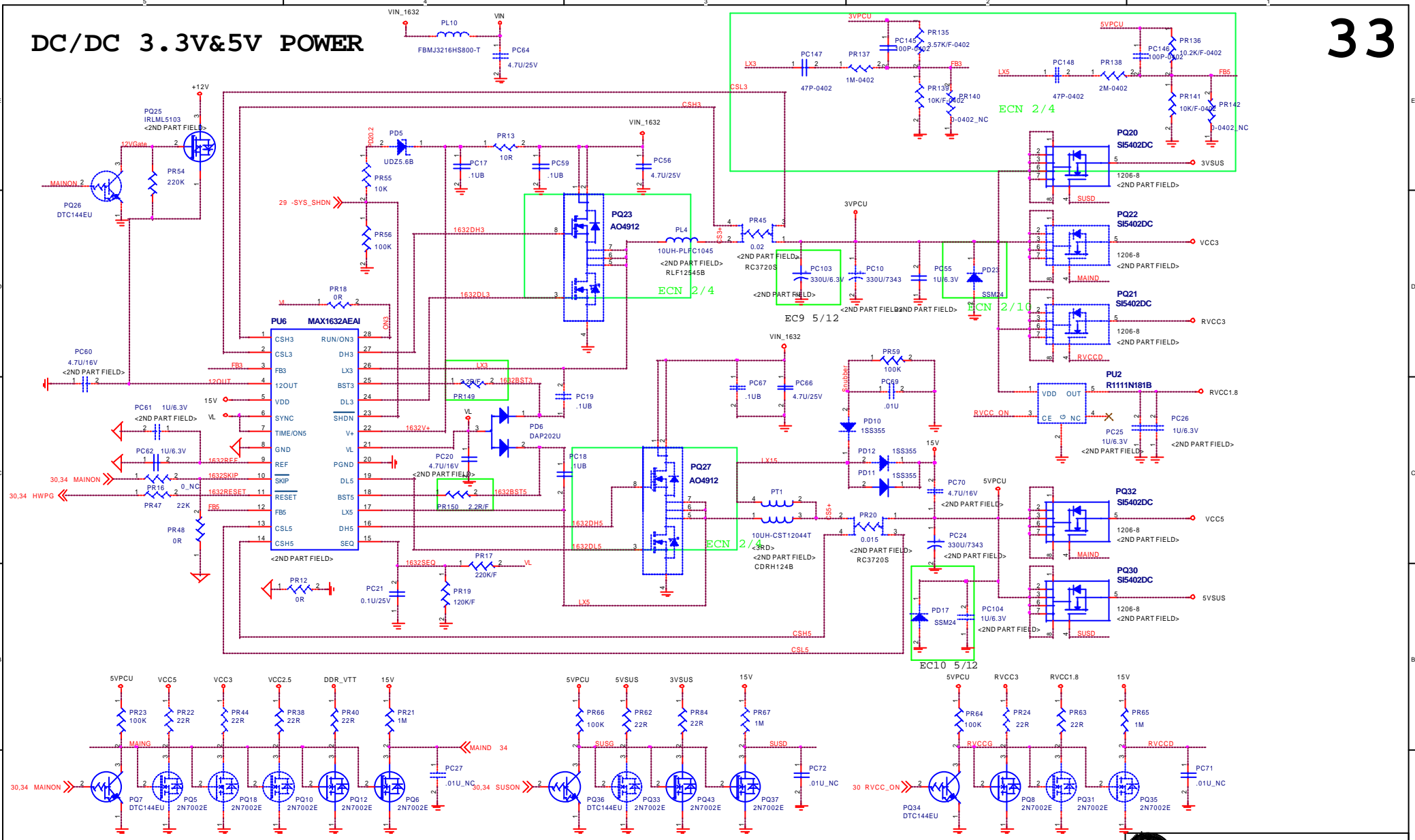


QUANTA COMPUTER logo and title block containing: Title: INT. KEYBOARD, Size: Custom, Document Number: VM5 Main Board, Date: Thursday, April 22, 2004, Sheet: 31 of 40, Rev: 3A.



EC8 5/12

DC/DC 3.3V&5V POWER



**QUANTA
COMPUTER**

Title: **DC/DC 3V&5V**

Size: Document Number

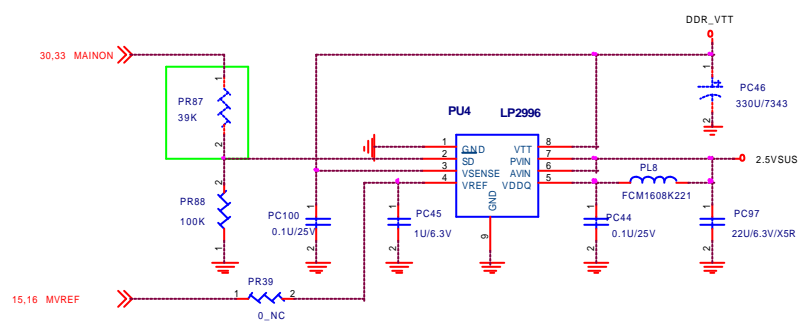
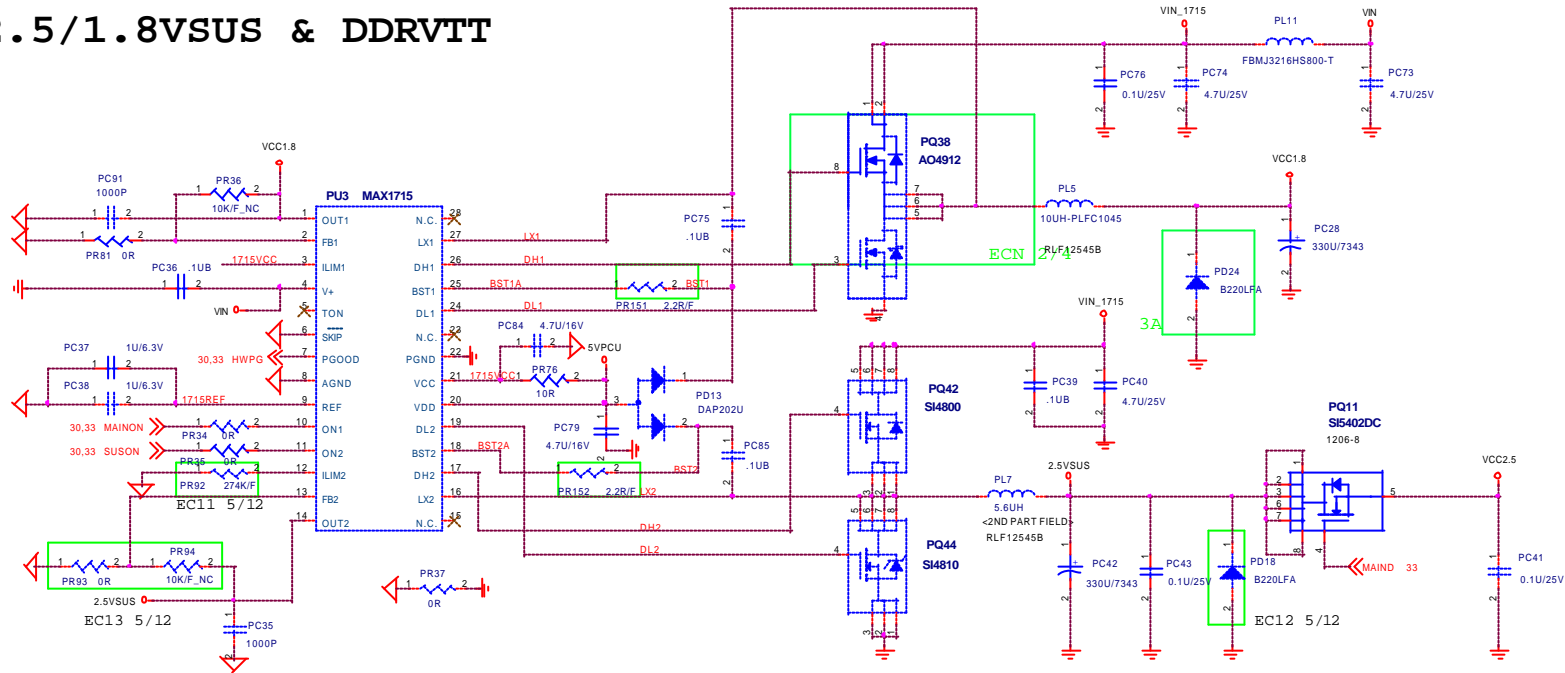
Custom: **VM5 Main Board**


Date: Thursday, April 22, 2004

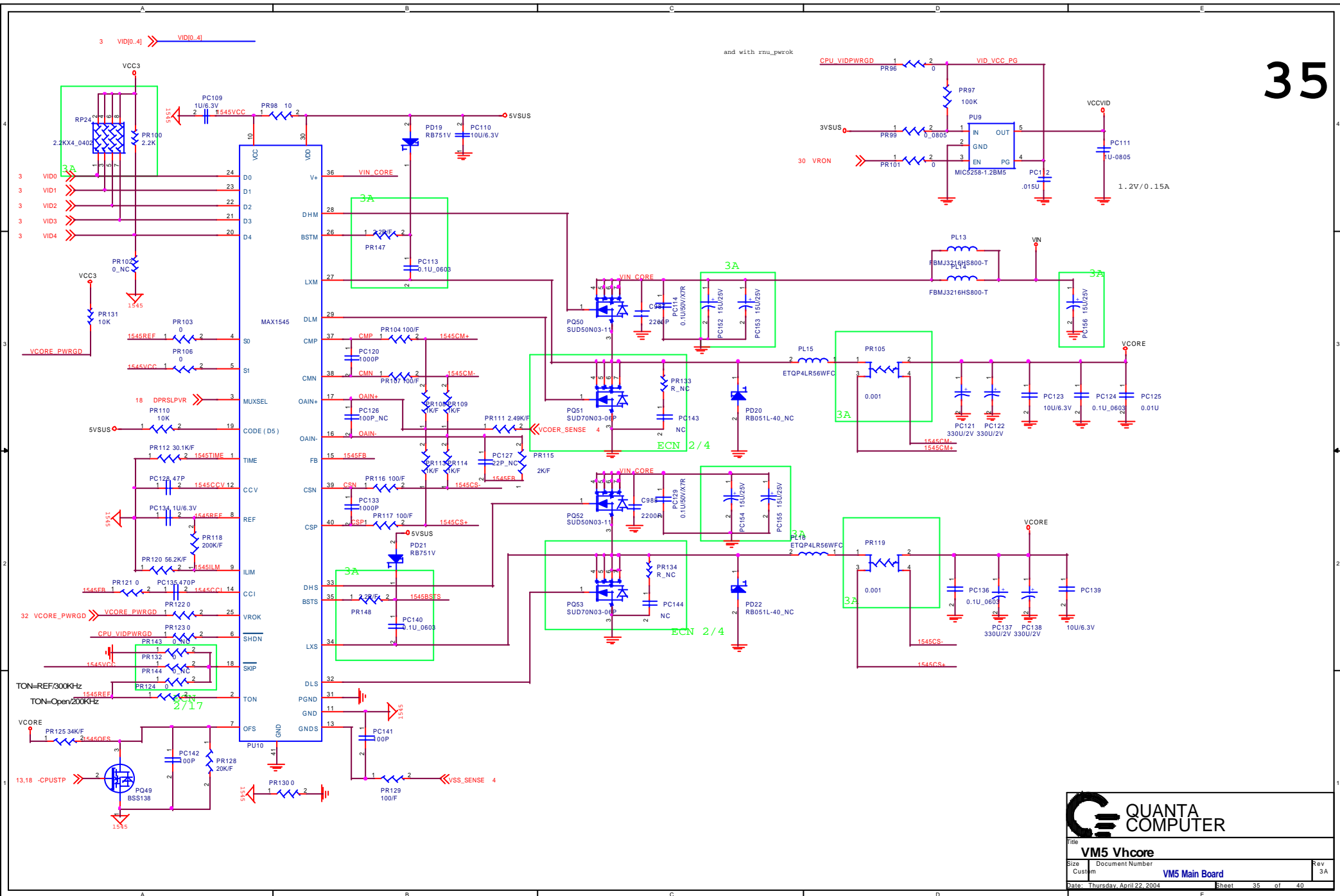
Sheet: 33 of 40

Rev: 2A

2.5/1.8VSUS & DDRVTT

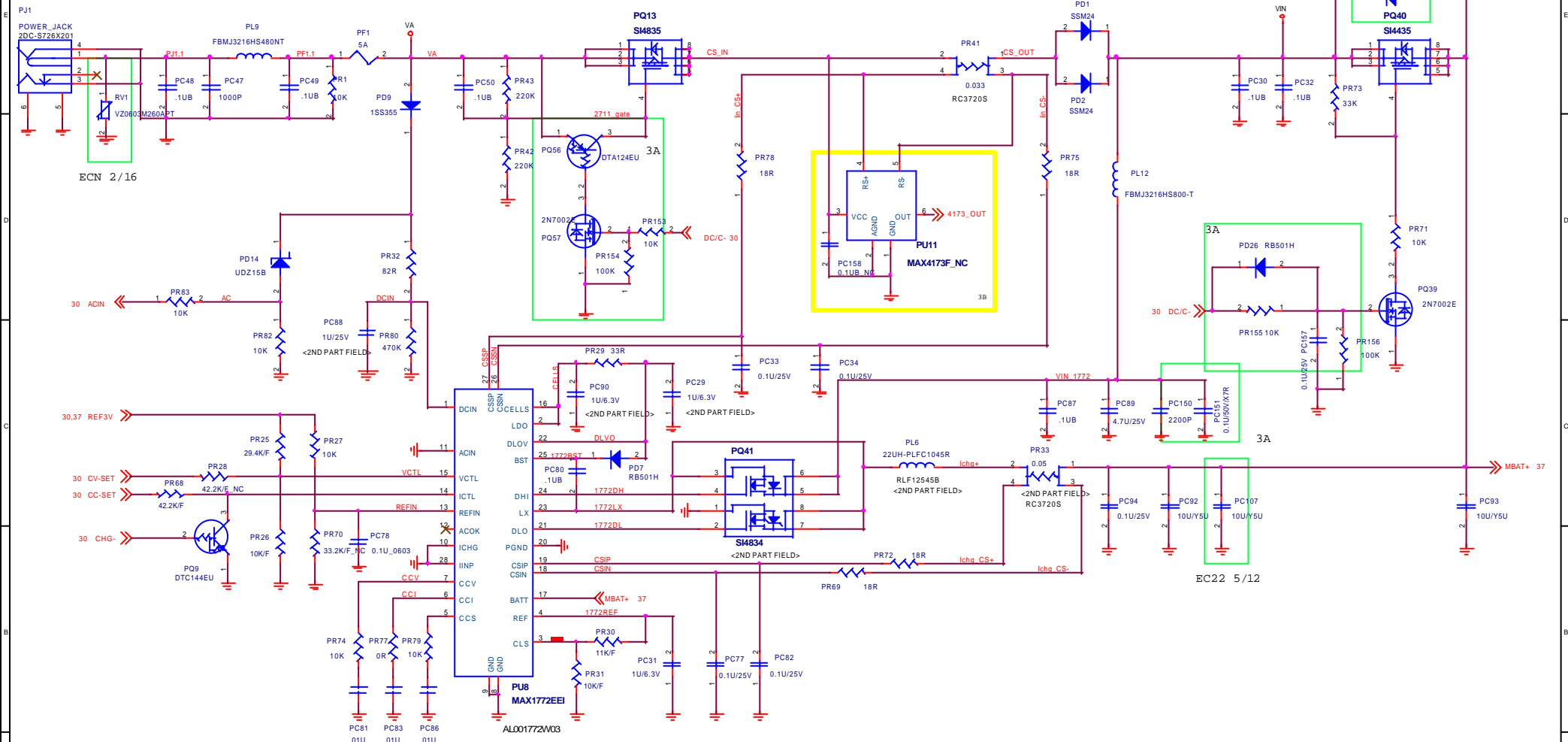


 QUANTA COMPUTER		
Size	Document Number	Rev
Custom	VM5 Main Board	3A
Date	Thursday, April 22, 2004	Sheet 34 of 40



Battery Charger

36



QUANTA COMPUTER

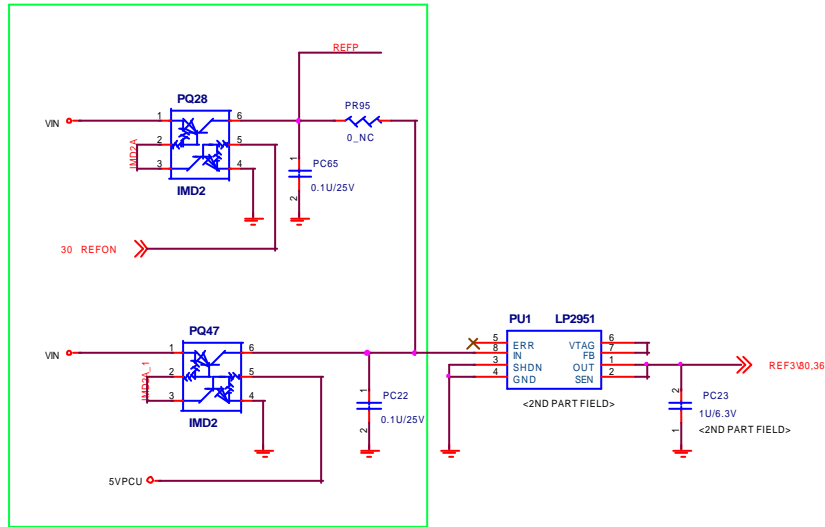
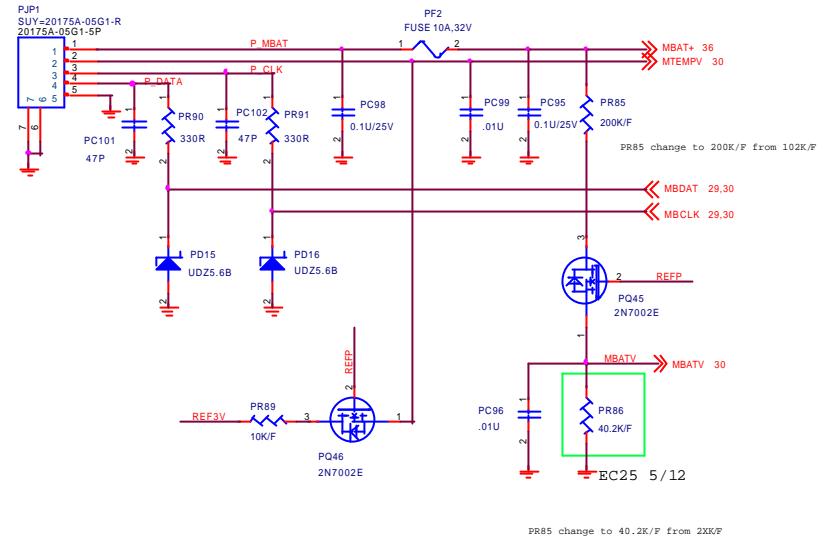
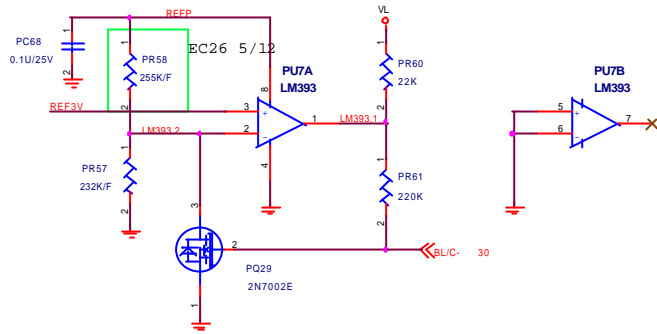
Title: **BATTERY CHARGER**

Size: Document Number
 Custom: **VMS Main Board** Rev: 3A

Date: Thursday, April 22, 2004 Sheet: 36 of 40

Battery Connector

Voltage low 7.2V detect
for Ni-MH battery



EC19 5/12

		QUANTA COMPUTER	
		BATTERY SELECTOR	
Title	Document Number	Rev	1A
Size	Custom	VM5 Main Board	1A
Date	Thursday April 22 2004	Sheet	37 of 40

MODEL	REV	CHANGE LIST	Model	VM5MB		
			Page	FM	TO	
VM5 MB	1A	First Release	1	IA		
	2A	<p>as below change is from Intel CRB schematic. P3 CPUR5,CPUR7,CPUR8,CPUR35 Change to 51/F P4 CPUR12 change to 220-0402 P4 CPUR1 change to 56/F-0402 P4 CPUR23 change to 300-0402 P4 CPUR38 change to 56/F-0402 P3 CPURN1 change to 200X4 P4 add R595 10K-0402</p> <p>P.7 Rename net name 2.5SUS to 2.5VSUS P.10 correction VBGCLK to VAGCLK P.10 U21 change value to 302/ELV/302LV</p> <p>P.29 R591 change pull high to VCORE for Thermtrip timing</p> <p>Update Some net name. P.24 add 4 0R resist R596,R597,R598,R599 for Lan Net P.35 RP24 change Value from 1KX4 to 1KX4_0402 P.3 CPURN1 change Value from 200*4 to 51*4 P.20 L63,L65 Change Value from 0 to 0_0805 P.10 R41 change Value from 22 to 22_1206 P.10,P.26 R56,R67,R101 change Value from 0 to 0_0805 P.29 Del Q17 for FAN Issue.</p> <p>System Changed P.30 Remove Email,Internet button function NC parts SW1,SW2,R27,R28,Q24,Q25 P.22,P24 Remove wireless LED function NC parts D33(P.22) R428,Q18,SW4,C397,D16,R65 P.30 Add Mode ID add parts R424,R425,R426,JP2 P.30 Change 51 debug connector JDEBUG1 net name. P.31 Add H3,H4 for NB cooler ,Add H5 for MDC EMI request hole. P.3 Change CPU socket layout library to TM8 used.</p> <p>Power Change: P.35 PQ51,PQ53 change parts to SUD70N03-06P P.33 PQ23,PQ27 change parts to AO4912 P.34 PQ38 change parts to AO4912 P.33 Power add schematic add parts PC145,PC146,PC147,PC148,PR135,PR136,PR137,PR138,PR139,PR140,PR141,PR142 Remove mini-PCI function to unpopulated P.22 C108,C111,C112,C114,C116,C118,C444,C478,C493,C572,C86,C91,CON12,D31,L15,L16 and P.32 R172,R171,P.13 R534,C941,P.32 R157</p> <p>P.33 Power placement changed footprint from 0603 to 0402 PC145,PC146,PC147,PC148,PR135,PR136,PR137,PR138,PR139,PR140,PR141,PR142</p> <p>P.20 Remove 1394 function change U30 chip from PCI4510 to PCI1510GVF, and remove 10 compnents C210,C211,C630,C631,R169,R177,R179,R181,R183,Y8</p>	2	IA		
			3	2A		
			4	2A		
			5	IA		
			6	IA		
			7	2A		
			8	IA		
			9	IA		
			10	2A		
			11	IA	3A	
			12	IA		
			13	IA	3A	
			14	IA		
			15	IA		
			16	IA		
			17	IA		
			18	2A	3A	
			19	IA		
			20	2A	3A	
			21	IA	3A	
			22	2A		
			23	2A	3A	
			24	2A		
			25	2A		
			26	IA		




PROJECT: VM5	PART NUMBER: 41VM5MB0004	REV: 3A	DOC NO. 204
APPROVED BY: VIC Lin	CHECKED BY: Lit Wu	DRAWN BY: Wagner Hong	DATE: 4/6 2004
			SHEET 1 OF 3

MODEL	REV	CHANGE LIST	Model	VM5MB	
			Page	FM	TO
VM5 MB		<p>P.10 FOR EMI SOLUTION U21.118 pin add L96 and C1002 DVDD net add C999 VDDV net add L95 and C1000 LVDD1 net R49 change to BK1608LL241,add C1003 C998 LVDD2 net add C1001</p> <p>P.33 for 3vpcu turn off inrush current solution add diode PD23 P.18 P.30 For Software Boot-Block function use SouthBridge GPIO9 control and add 1 jumper for it, JP2 from 6PIN change to 8PINS,and R600 100K pull-high</p> <p>P.35 PQ49 change Library pin define</p> <p>P.18,P.22,P.25 For prevent Bit-clock failed, put some solution into schematic,Add R601,R602 and NC parts R603,C1004,R605,R604,C1005,C1006</p> <p>P.36 Add a EMI solution Varistor RV1 on DC-IN jack P.23 Add EMI solution On net PWFBIN add a 10P cap C1011 On TXCLK and RXCLK net add a pi type filter as below components C1007,C1008,C1009,C1010,L97,L98</p> <p>P.18 Fixed AC97 signal failed add R606,R607,R608,R609 P.30 RVS for NS97591V add L99</p> <p>P.35 power add rvs item PR143,PR144</p>	27	1A	
			28	1A	
			29	2A	
			30	2A	3A
			31	2A	3A
			32	2A	
			33	2A	
			34	2A	3A
			35	2A	3A
			36	2A	3A
			37	1A	
	3A	<p>0317 P.18 Change R578 to 10K and Pull Down. P.20 Change page title. P.23 L97,L98 change footprint to 0603 P.35 Change PR111 to 2.49K/F. P.35 Change RP24 Value from 1KX4_0402 to 2.2KX4_0402</p> <p>0318 Power changed P.35 PR100 from 1K change to 2.2K. P.35 PR105,PR119 change footprint and P/N to RC2512-DM1,CS+0018J104 for Rsens non-accurate. P.34 ADD A DIODE PD24 VCC1.8 NET. P.11 ADD INVERT POWER source start circuit ADD PARTS PC149,PQ54,PQ55,PR145,PR146,RP25. System. P.13 change C985 net to FB_IN close to U43 pin20. P.18 Remove net BitCLK and C591 of single net P.18 Add 6 resists R610,R611,R612,R613,R614,R615 use SB GPIO6,9,10 for VM5 board id circuit. For proto3 VM5 board mount R611,R613,R615 10K others NC. P.30 Remove B_Block function de-populated R600.</p> <p>0319 P.31 Change H3,H4 library. 0323 P.13 Change C985 net from FB_IN to FB_OUT. 0324 Hole TH13,TH14,TH15,TH19,TH3,TH6,TH7,TH9 Change layout library and hole dim. P.36 EMI add PC150 and PC151 cap. 0325 P.21 Change CON19 layout library.</p>			



PROJECT: VM5	PART NUMBER: 41VM5MB0004	REV: 3A	DOC NO. 204		
APPROVED BY: VIC Lin	CHECKED BY: Lit Wu	DRAWN BY: Wagner Hong	DATE: 4/6 2004	SHEET 2 OF 3	

MODEL	REV	CHANGE LIST				Model	VM5MB	
VM5 MB		<p>0326 P.35 Power add 5 cap PC152,PC153,PC154,PC155,PC156 and REMOVE Parts PC115,PC116,PC117,PC118,PC119,PC130,PC131,PC132. for cap noise P.35 PR147,PR148 P.33 add PR149,PR150 p.34 ADD PR151,PR152 (for anti-EMI) p.34 PR87 CHANGE VALUE TO 39K for PU4 can't supply power P.30 Change KBC to 551 so Change U27 value from PC87591L to PC97551,MOUNT L99 ,UNPOPULATED L64,C179,C180. P.11 To fixed CRT issue fine tune. Change L32,L33,L36 Value from BK1608LL241 to BLM18BA470SN1.,NBR18,NBR19,NBR20 change value from BK1608LL680 to 0/r P.13 To fixed USB Clock 48MHz Issue fine tune R545 to 33_0402. P.31 EMI spring PV10,PV13,PV15,PV17,PV2,PV5 need change P/N FDVM5002013 high 3mm. P.36 Power add PQ56,PQ57,PR153,PR154,PC157,PD25(BC00ES3BZ03),PD26,PR155,PR156 remove PQ14 for PQ13 burn issue.</p> <p>0329 Add to Spring PV20,PV21 around H3,H4 for EMI requirment. P.34 PD24 Change Value to B220LFA. P.36 PD25 Change Value to ES3B. P.31 Modify PV1,PV11,PV12,PV14,PV16,PV3,PV7,PV8,PV9 to NC parts.</p> <p>0330 P.36 Change PD25 Value (ES3DB)and library(DIODE-SMB) P.18 R578 change to 4.7K</p>	Page	FM	TO			
			 QUANTA COMPUTER		PROJECT: VM5 APPROVED BY: VIC Lin	PART NUMBER: 41VM5MB0004 CHECKED BY: Lit Wu	REV: 3A DRAWN BY: Wagner Hong	DOC NO. 204 DATE: 4/6 2004